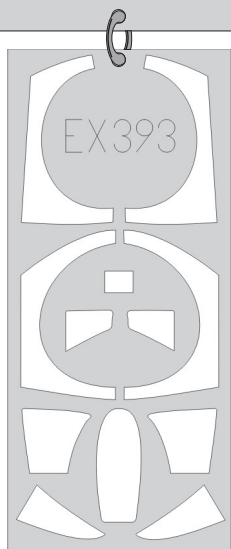


eduard
MASK

EX 393

F-4B 1/48

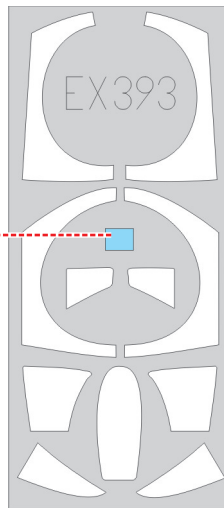
The die-cut mask for accurate canopy frame painting of the
Academy *scale 1/48 KIT*



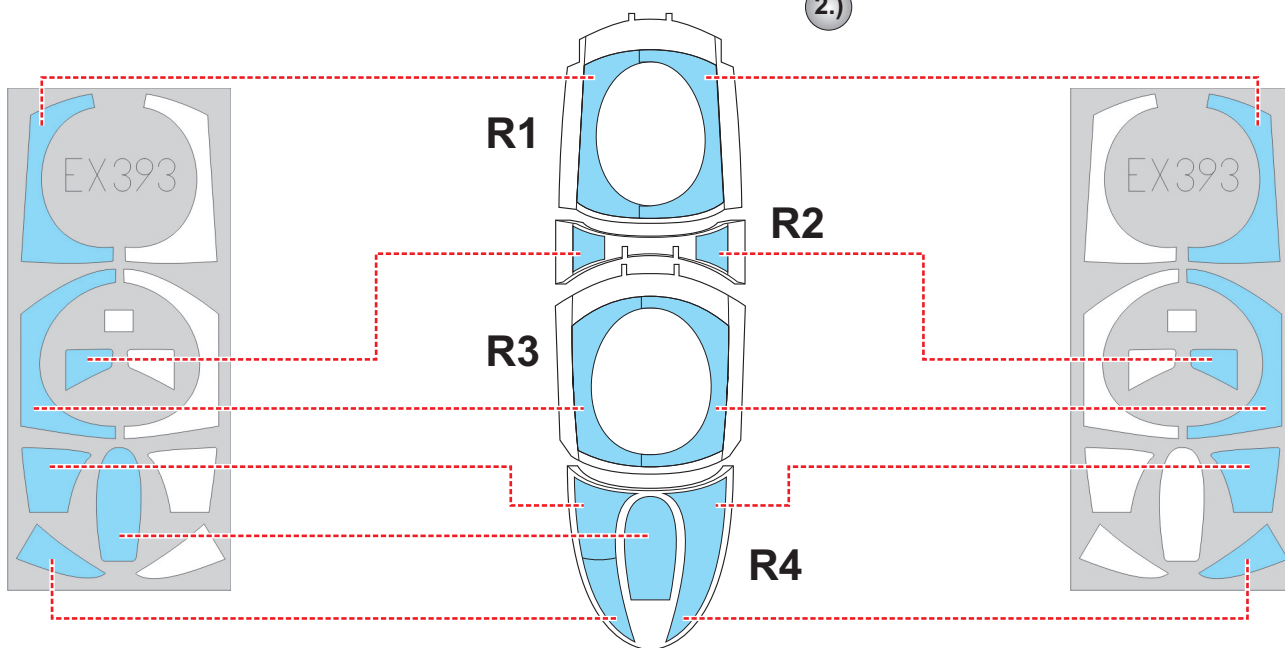
1.)



R10

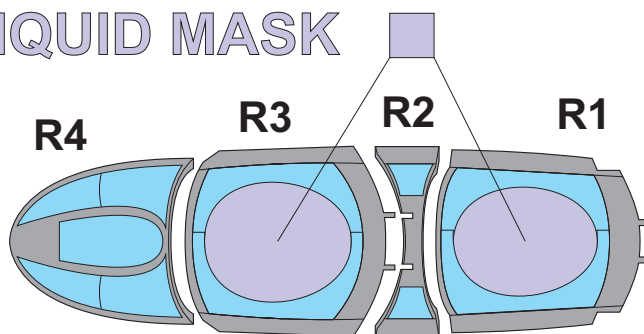


2.)



3.)

LIQUID MASK



4.)

