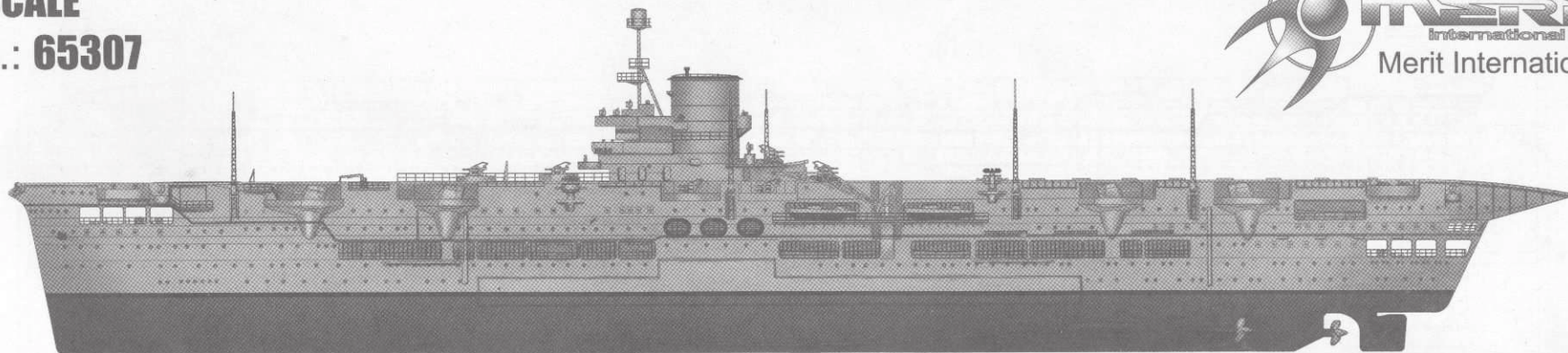


1/350 SCALE
ITEM NO.: 65307



HMS Ark Royal 1939

英国皇家海军“皇家方舟”号航空母舰1939

READ BEFORE ASSEMBLY:

- Study and understand these instructions thoroughly before beginning assembly
- When needed, remove photo-etch parts carefully using a modeling knife or photo etch sprue cutter, being careful not to damage or lose small parts.
- Take extra care in handling photo etch parts in order to avoid injury
- Apply instant cement sparingly to photo etch parts where instructed

- Tools recommended(not included in kit):Plastic and instant cements,sprue cutters,long nose pliers,modeling knife, small files, tweezers, pin vise & scissors. Soft cloth and sandpaper will also assist in construction
- Glue and paint are not included in the kit. Use plastic cement and hobby paints only. Color guide for purchasing paint is included in the kit.

装配之前仔细阅读

- 小心用模型锉刀锉平所有零件表面的注射浇口。
- 小心用刀片切下蚀刻片零件，不要遗失小零件。
- 用强力快干胶水粘合蚀刻片零件和金属轴。过量快干胶水。使用可能导致可动零件会粘住，小心涂胶。
- 取蚀刻片时应特别注意安全，防止利边划伤手指。
- 某些零件表面需贴上水贴纸，请选择在装配的同时进行。
- 推荐模型工具(自备)：胶水，水口剪刀，长咀钳，刀片，锉刀，镊子，钳，钻，剪刀，瞬间快干胶。
- 软布同砂纸同时也应该是必备工具。
- 请使用塑料胶水和油漆，模型内不含。

水贴纸的使用:

1. 从水贴纸上剪下印花;
2. 将印花放入温水中浸10秒，然后放在干净布上;
3. 拿着印花纸板将印花移到模型上;
4. 手指蘸水将印花移到适当的位置;
5. 用软布轻压印花直至水干，气泡消失。

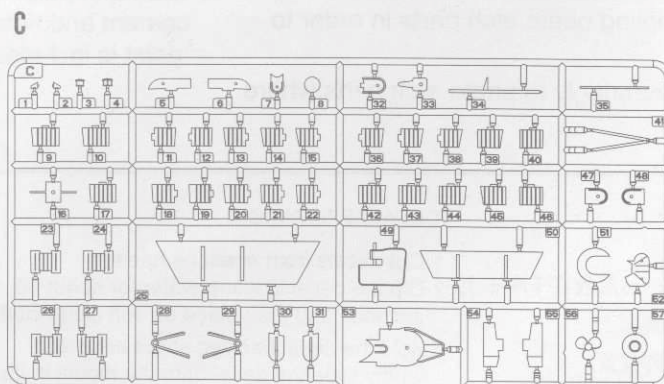
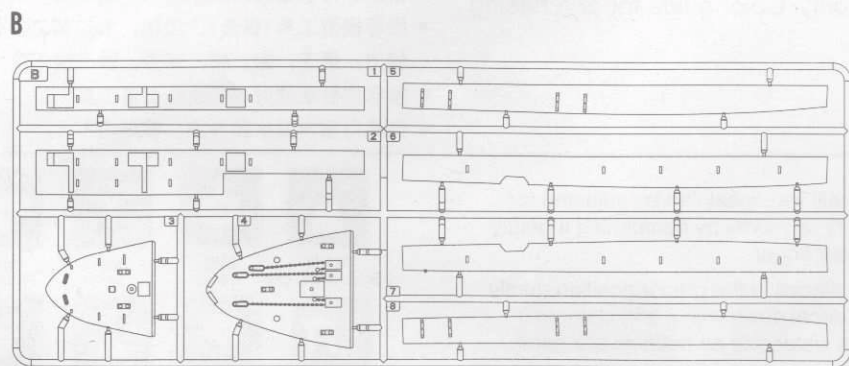
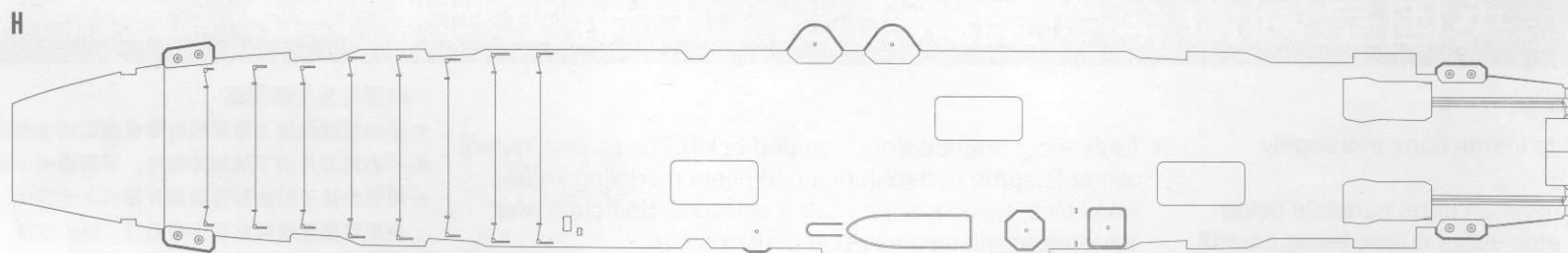
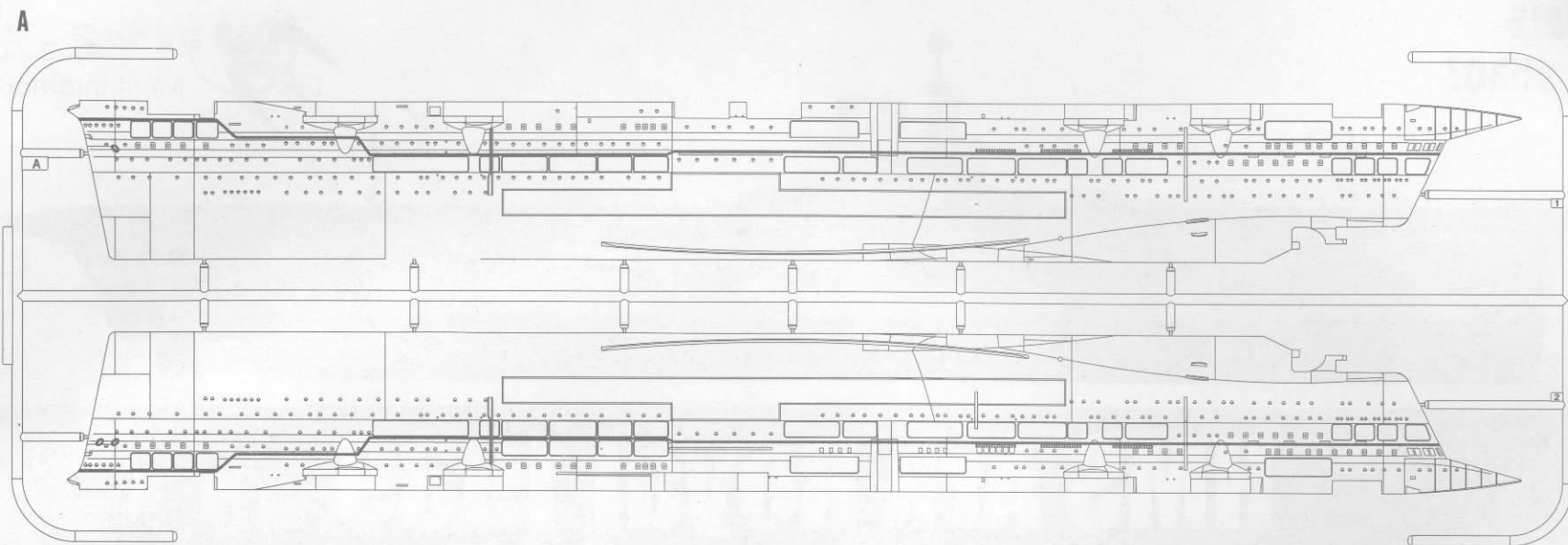
DECAL APPLICATION:

1. Cut decals from sheet as needed
2. Dip the decal in warm water for about 10 seconds and then place on soft clean cloth.
3. Hold the decal backing sheet edge and gently slide the decal onto the model in its proper position.

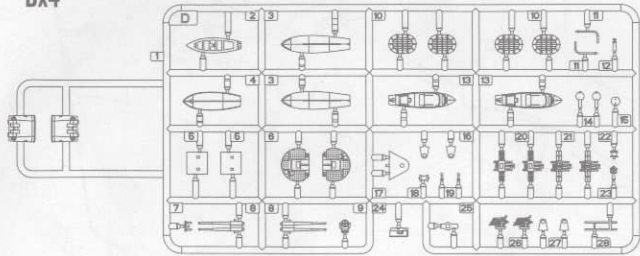
4. While still wet, decal can be adjusted for better fit on model by dampening it gently with your finger.
5. When placed in the proper position, gently press decal down with a soft cloth until excess water and air bubbles are gone.
6. Allow decal to dry completely before handling model



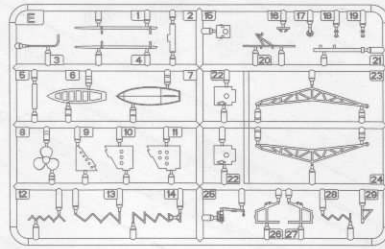
部品图
Parts



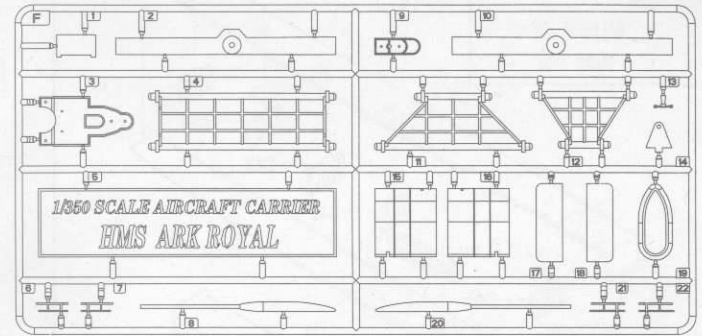
Dx4



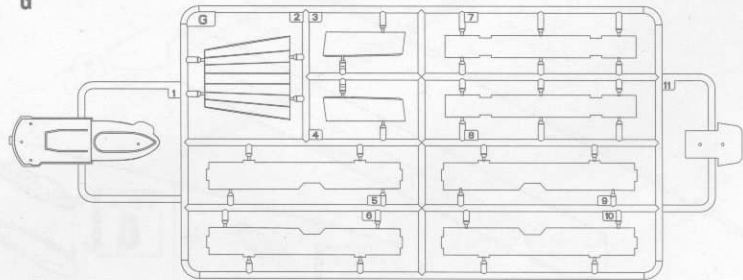
Ex2



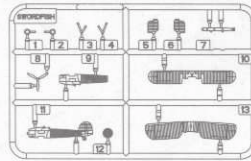
F



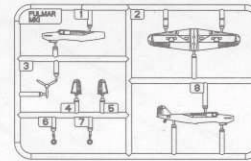
G



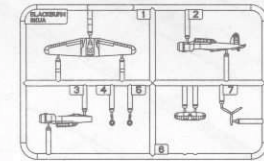
SWORDFISH x5



FULMAR MKI x4



BLACKBURN SKUA x4



《座架》 Stand

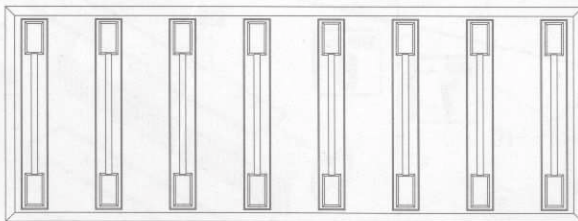


Photo Etched <A> x2

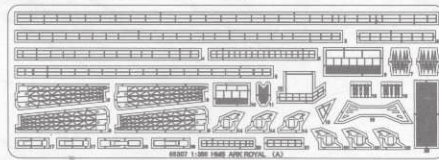


Photo Etched

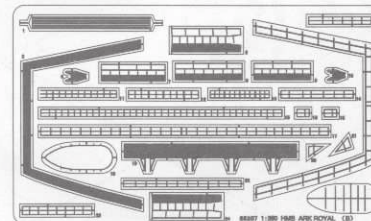
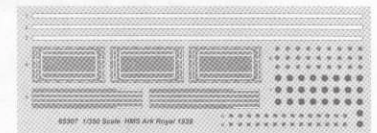


Photo Etched SWORDFISH x5



《水貼》
Decal

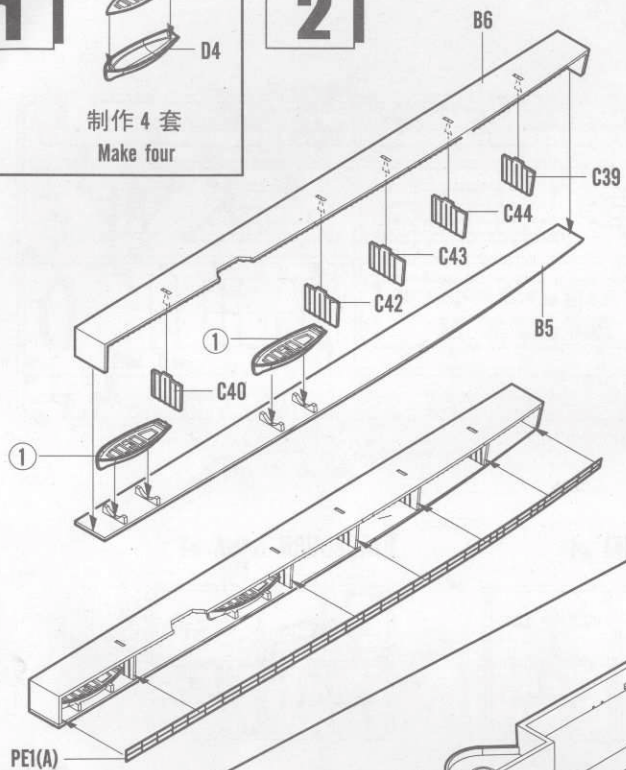


STEP 1

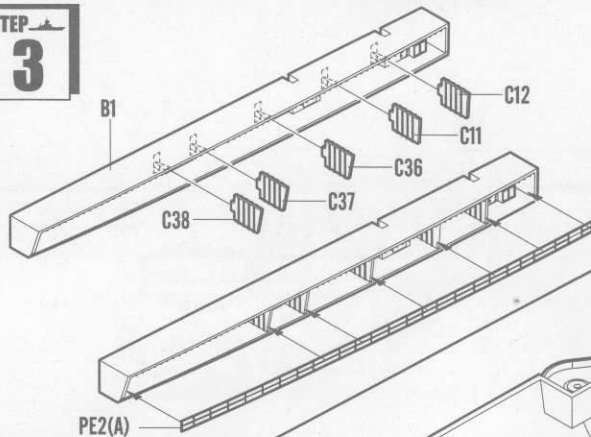


制作 4 套
Make four

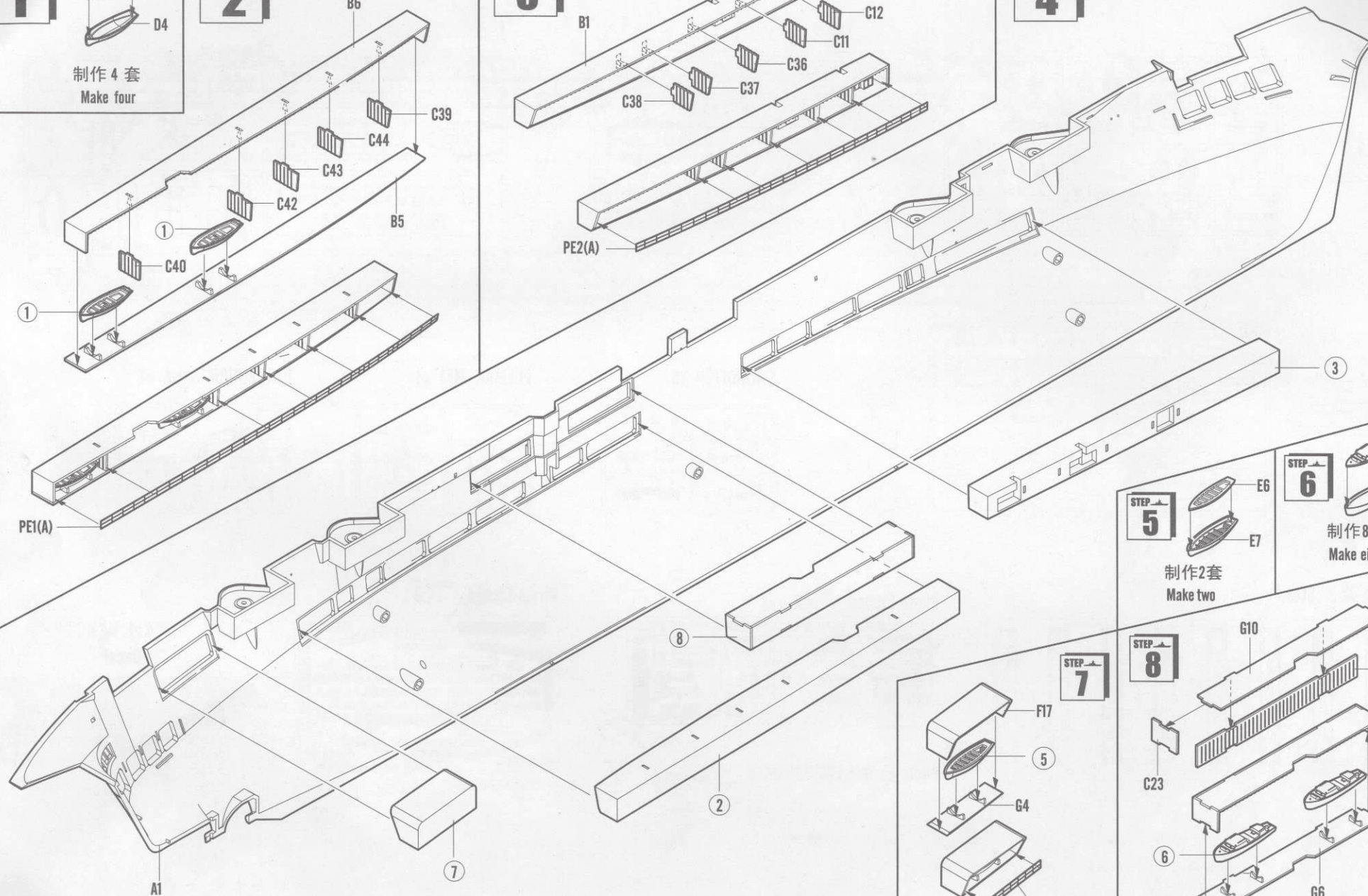
STEP 2



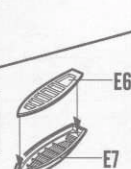
STEP 3



STEP 4

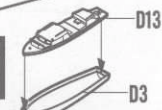


STEP 5



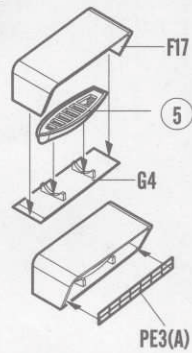
制作 2 套
Make two

STEP 6

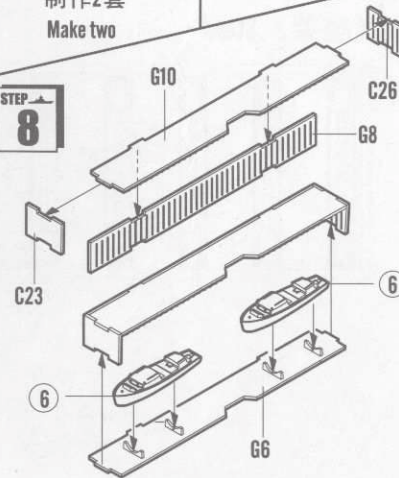


制作 8 套
Make eight

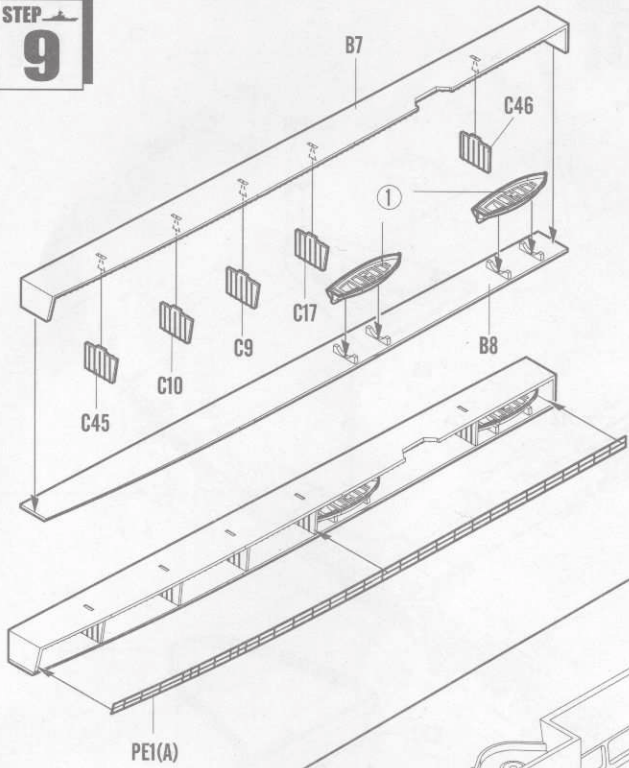
STEP 7



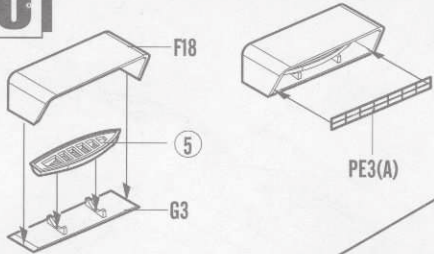
STEP 8



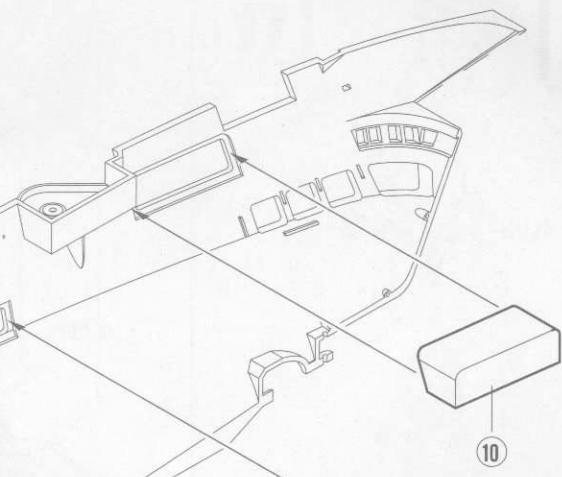
STEP 9



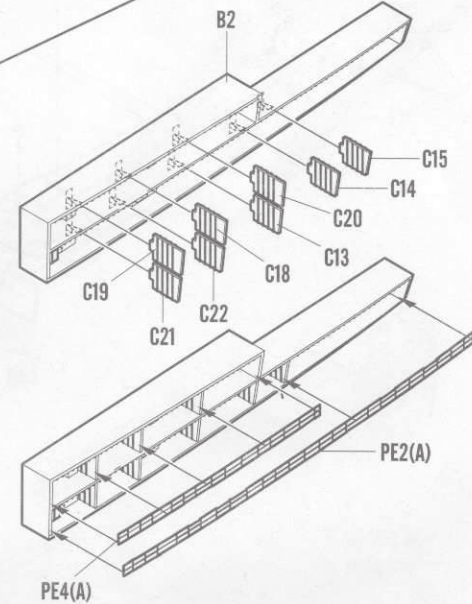
STEP 10



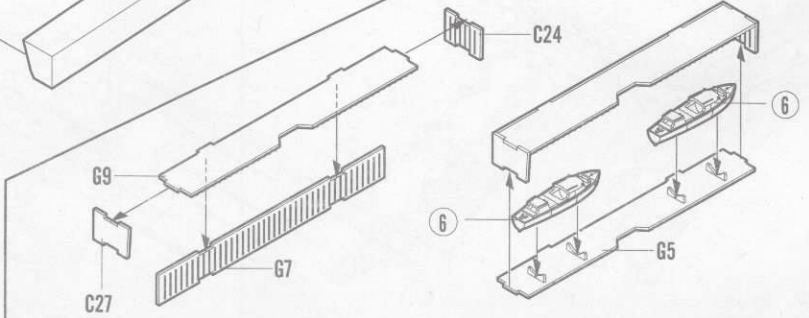
STEP 11



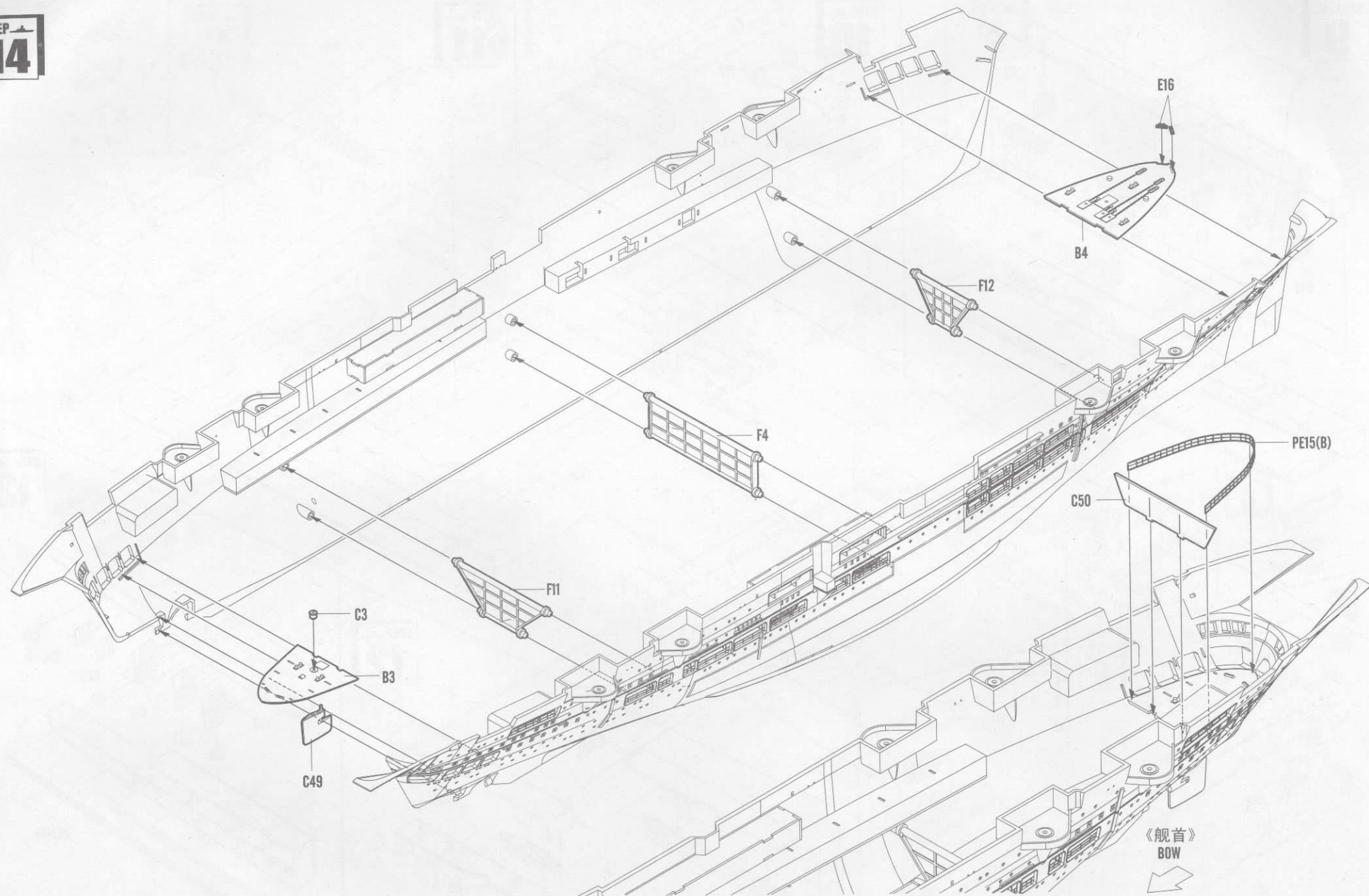
STEP 13



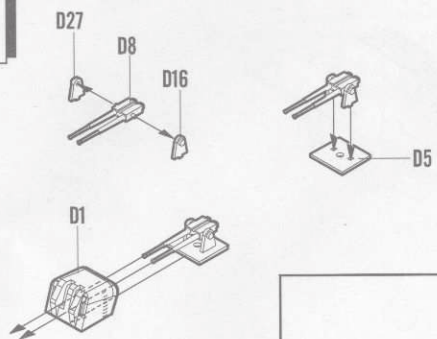
STEP 12



STEP
14

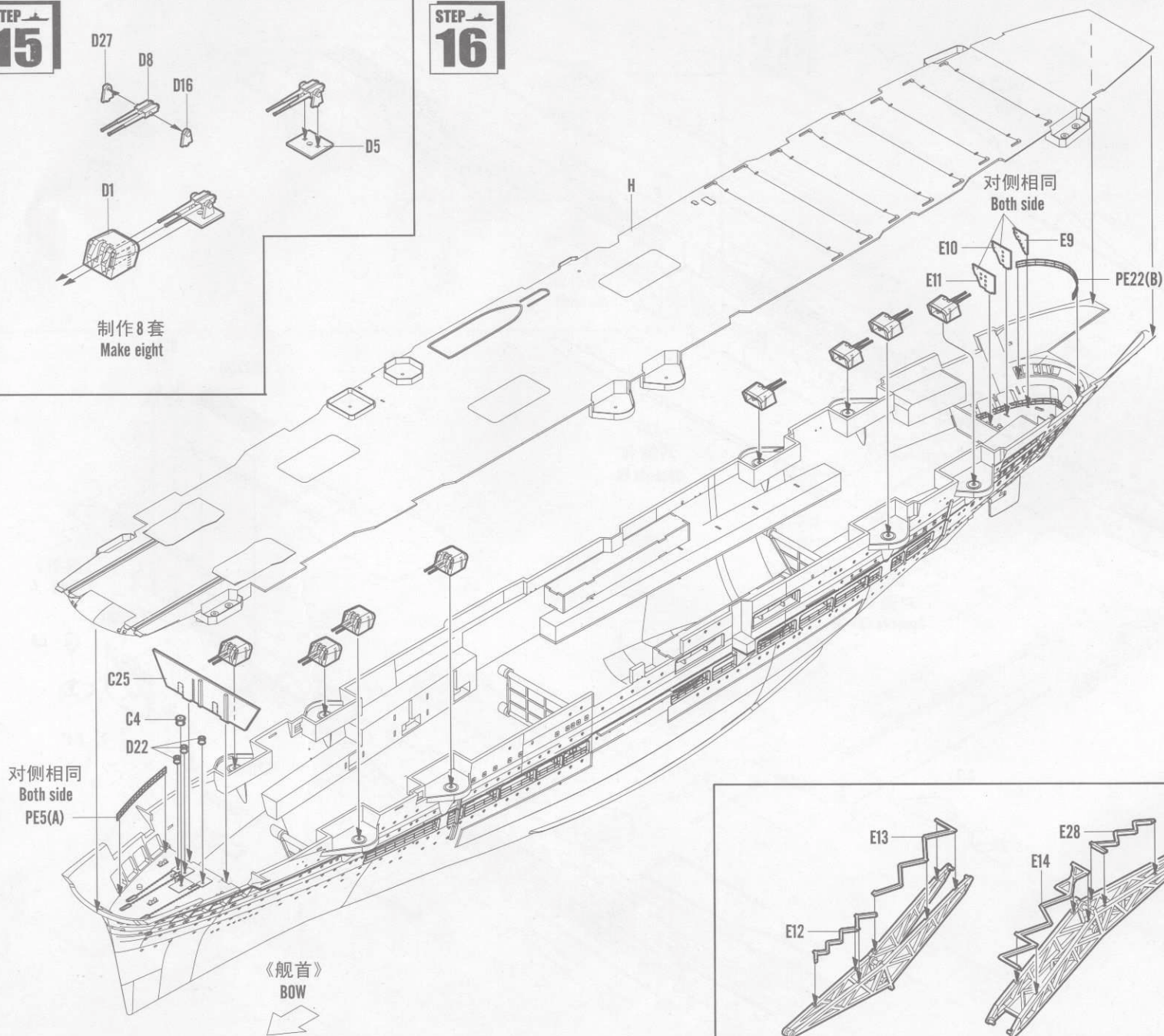


STEP 15

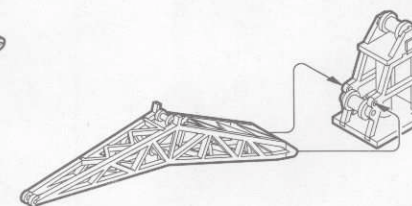
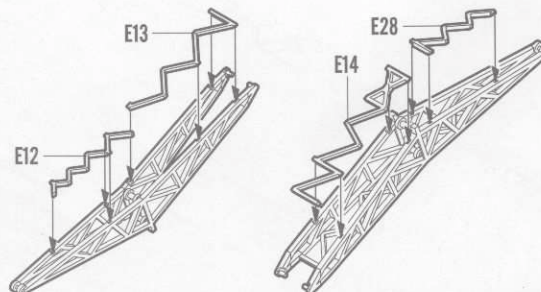
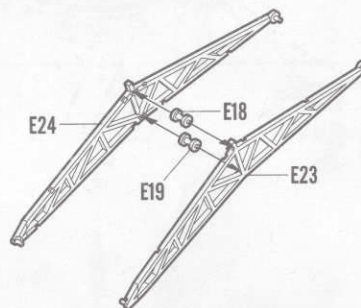
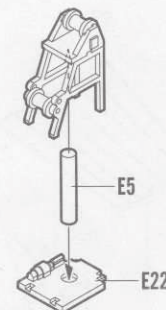
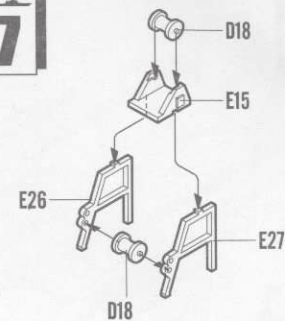


制作8套
Make eight

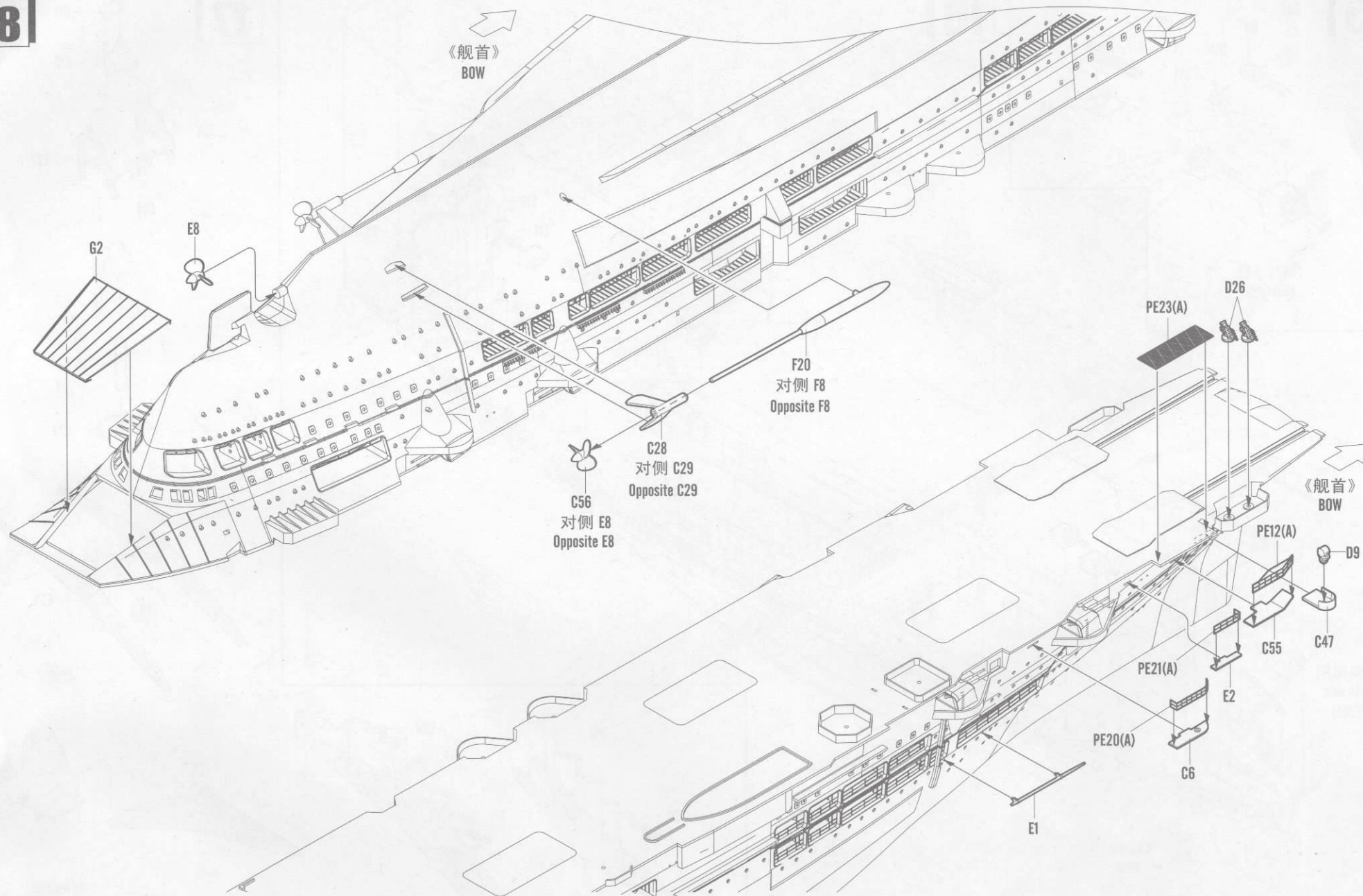
STEP 16



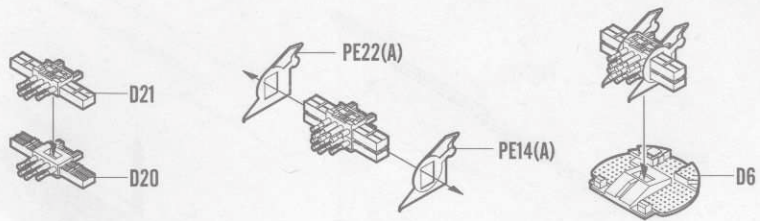
STEP 17



制作2套
Make two

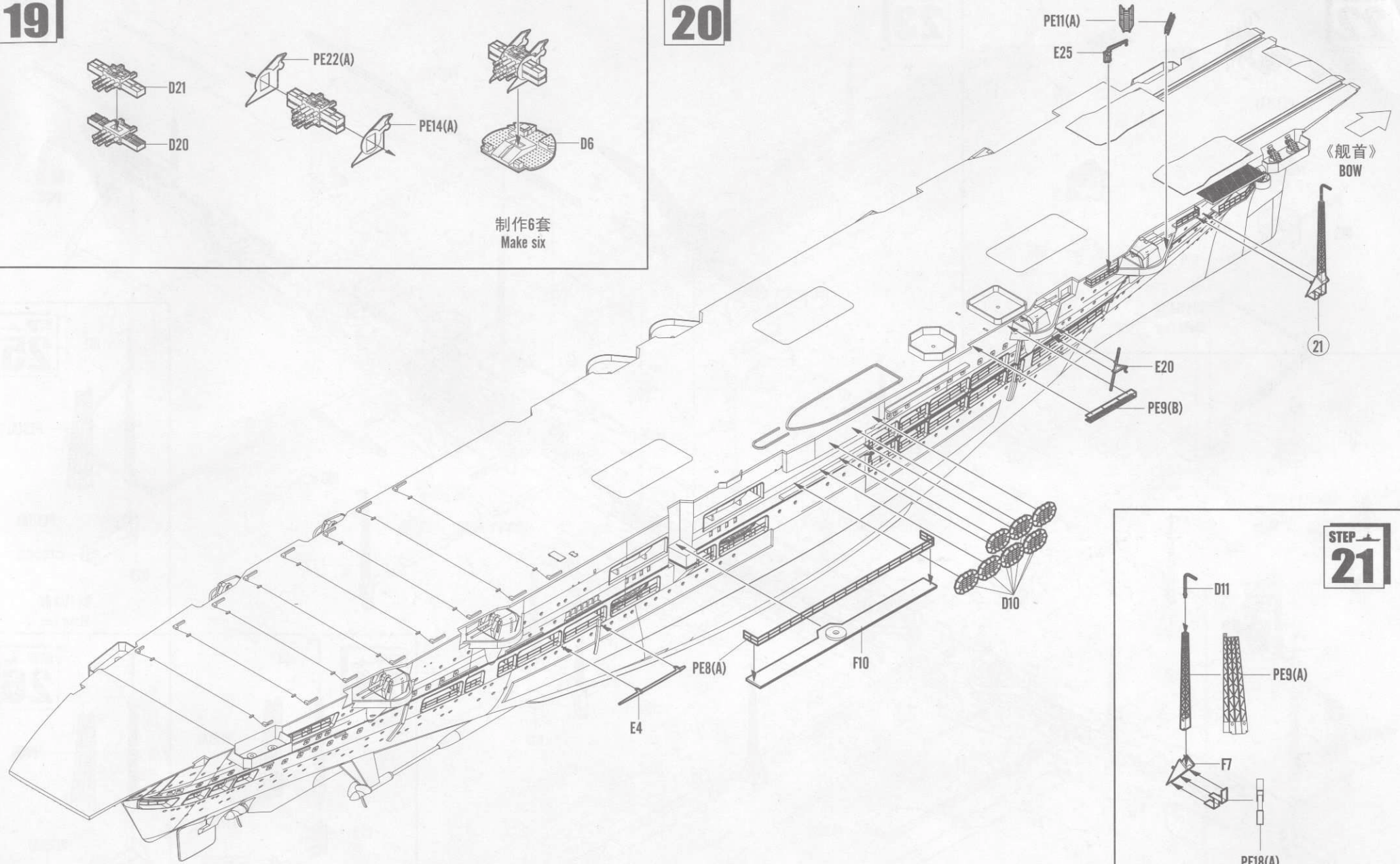


STEP
19

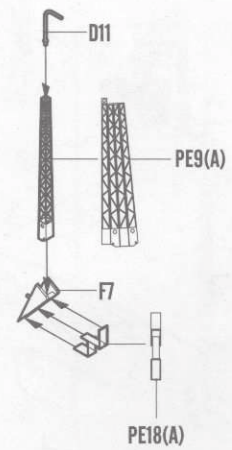


制作6套
Make six

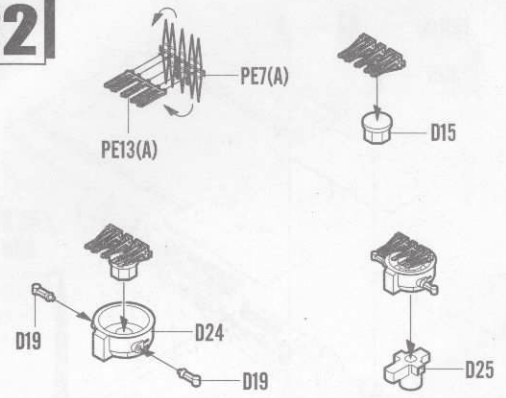
STEP
20



STEP
21

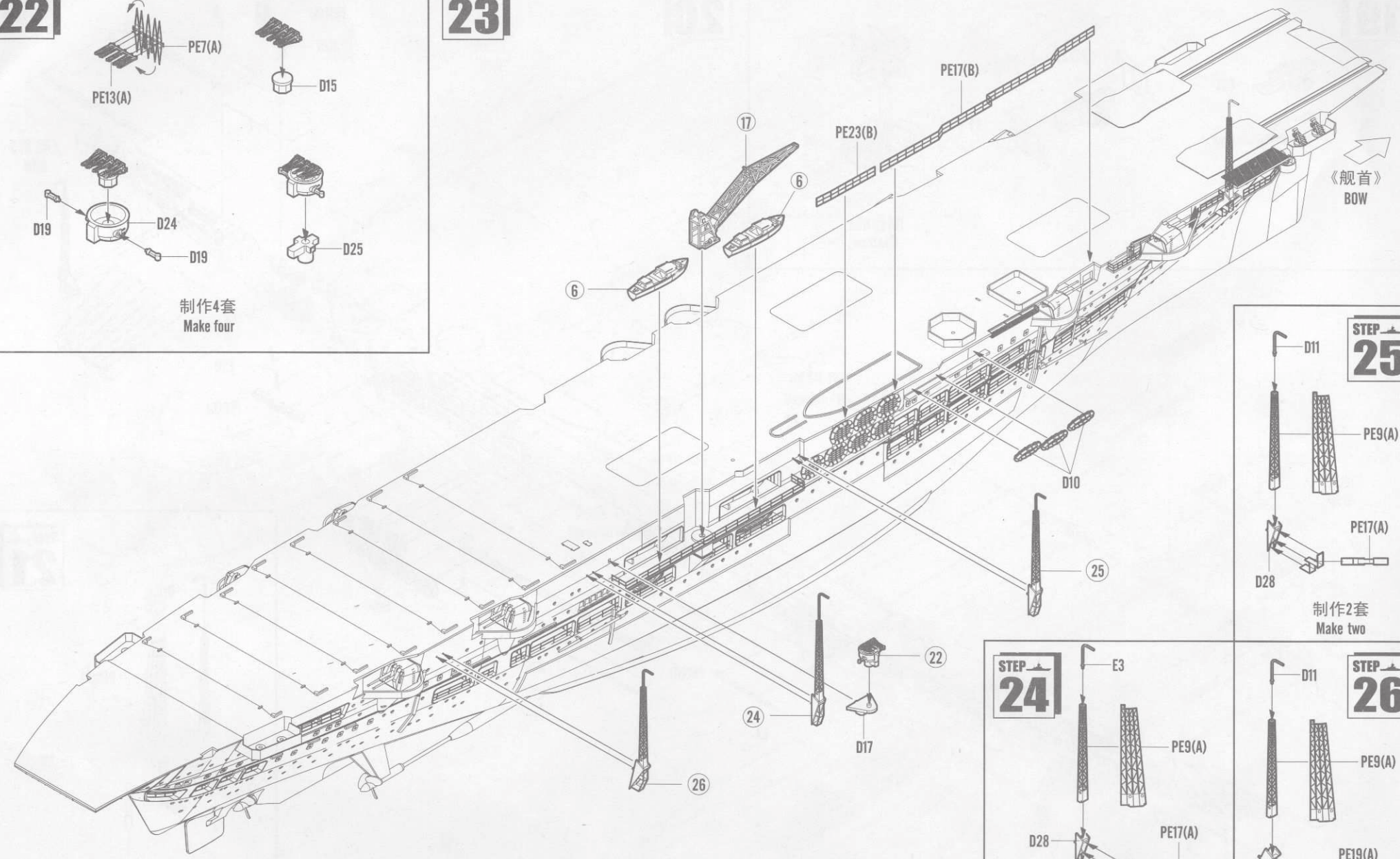


STEP 22

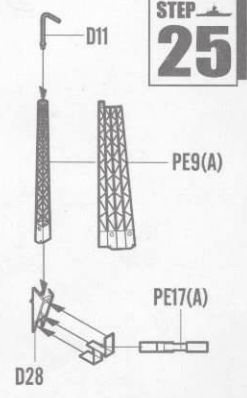


制作4套
Make four

STEP 23

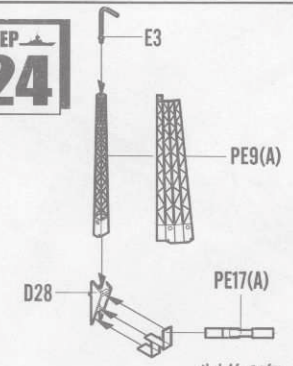


STEP 25



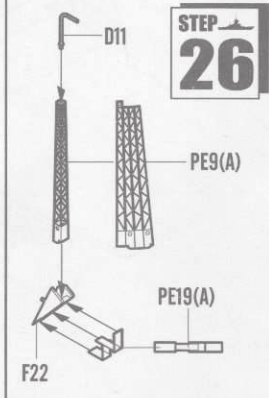
制作2套
Make two

STEP 24

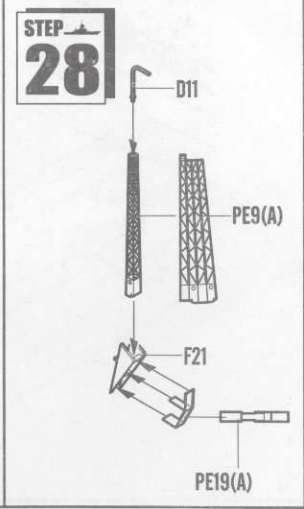
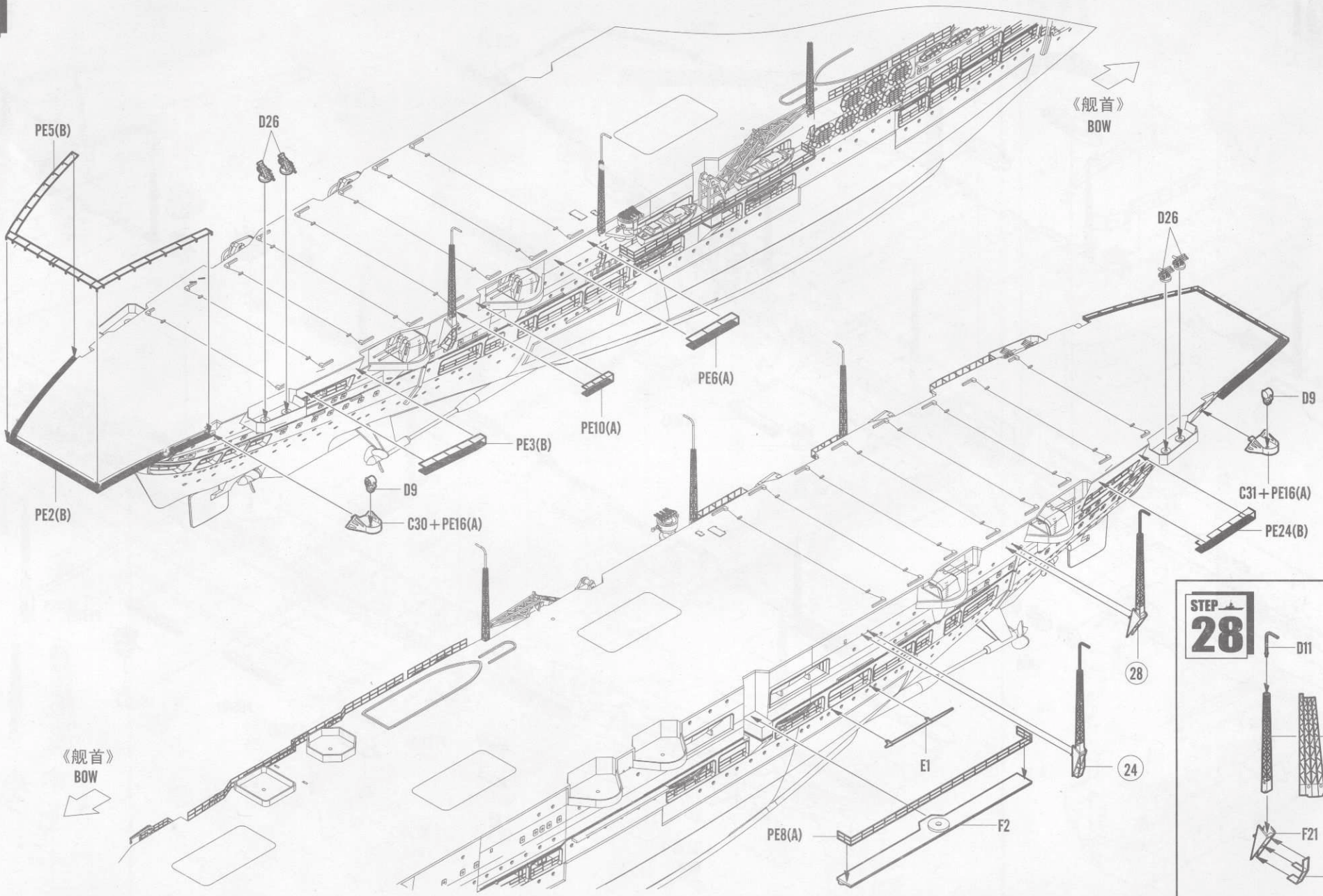


制作2套
Make two

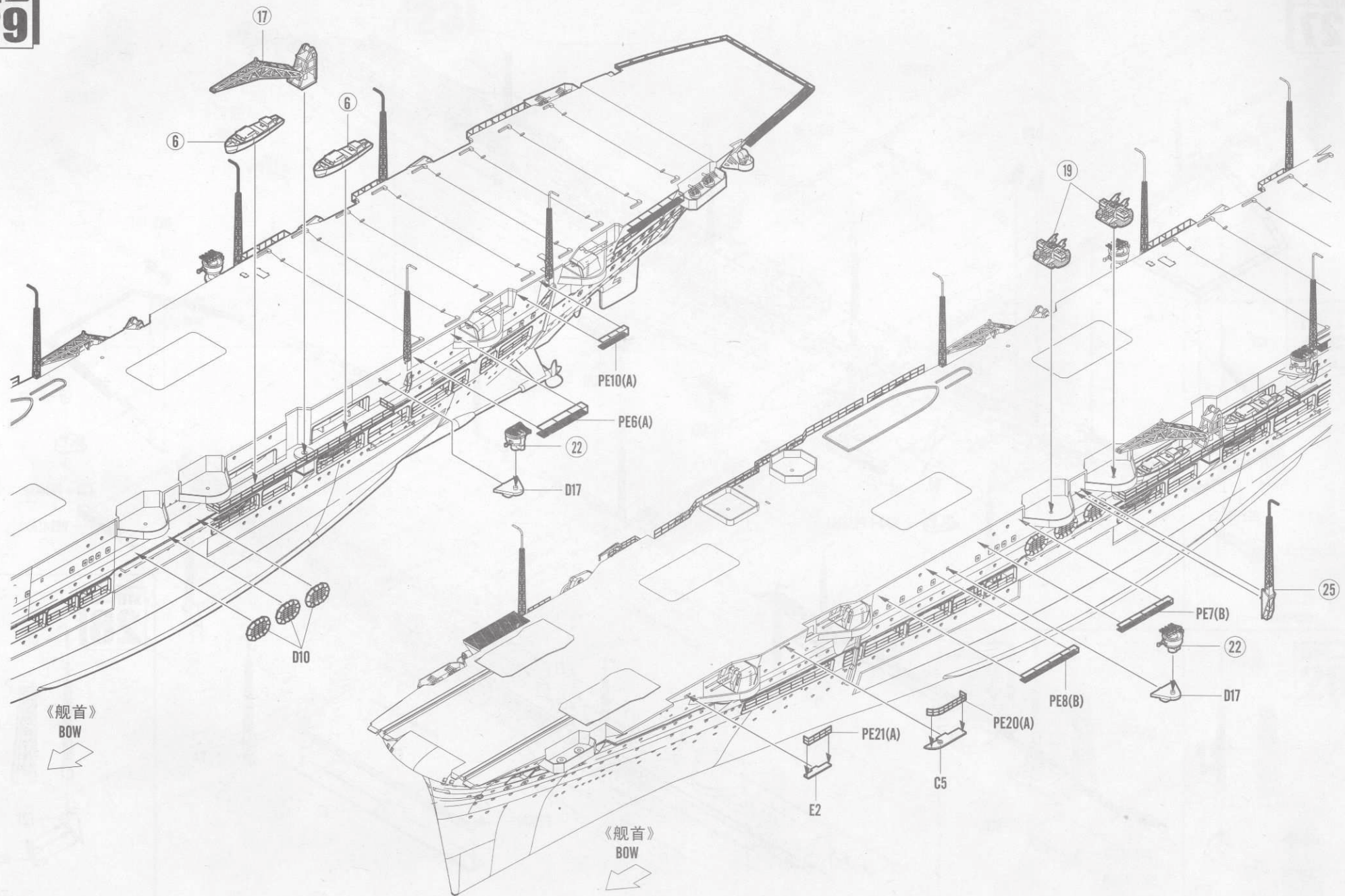
STEP 26



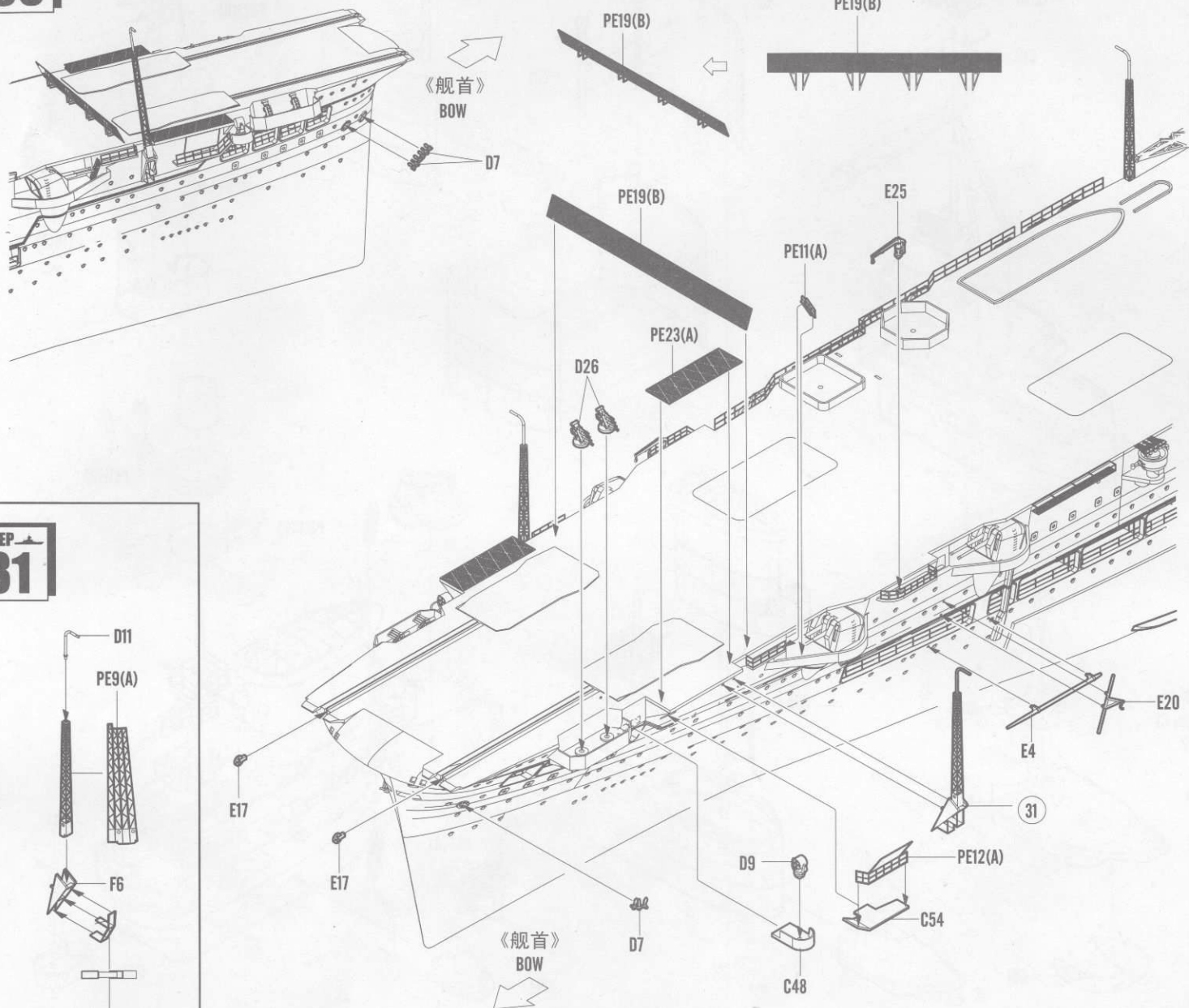
STEP
27



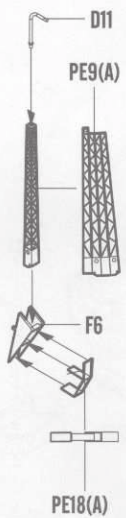
STEP
29



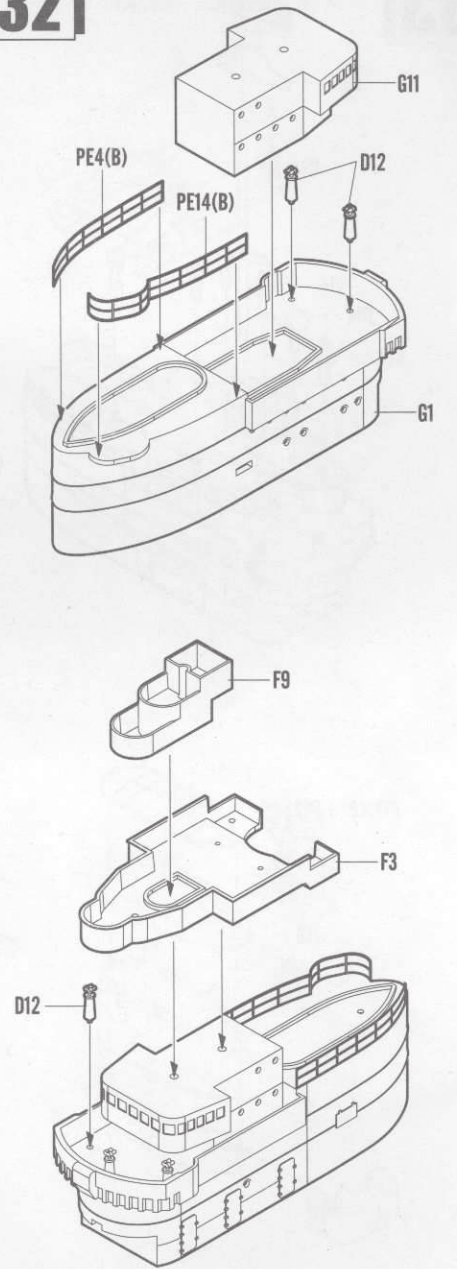
STEP 30



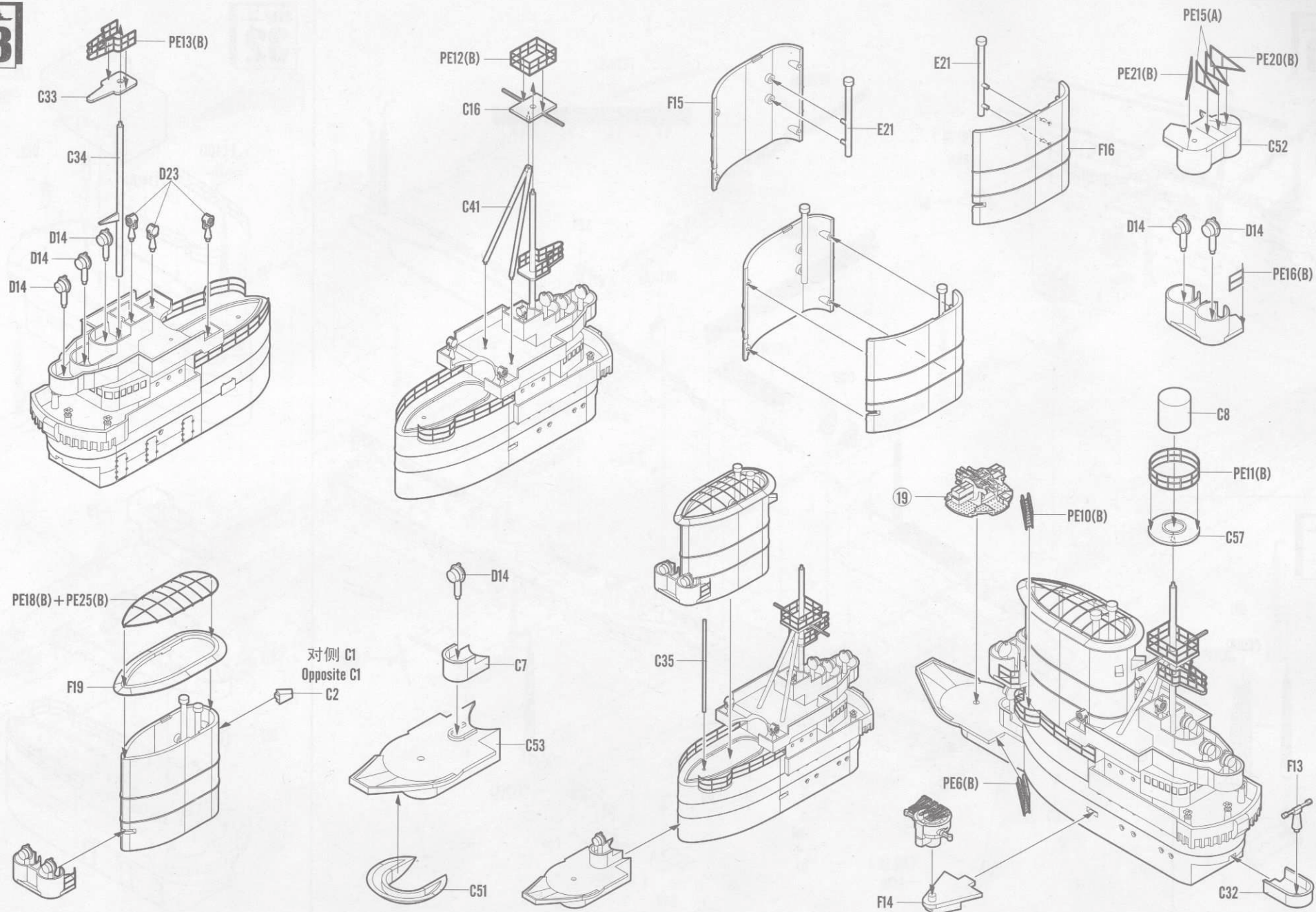
STEP 31



STEP 32

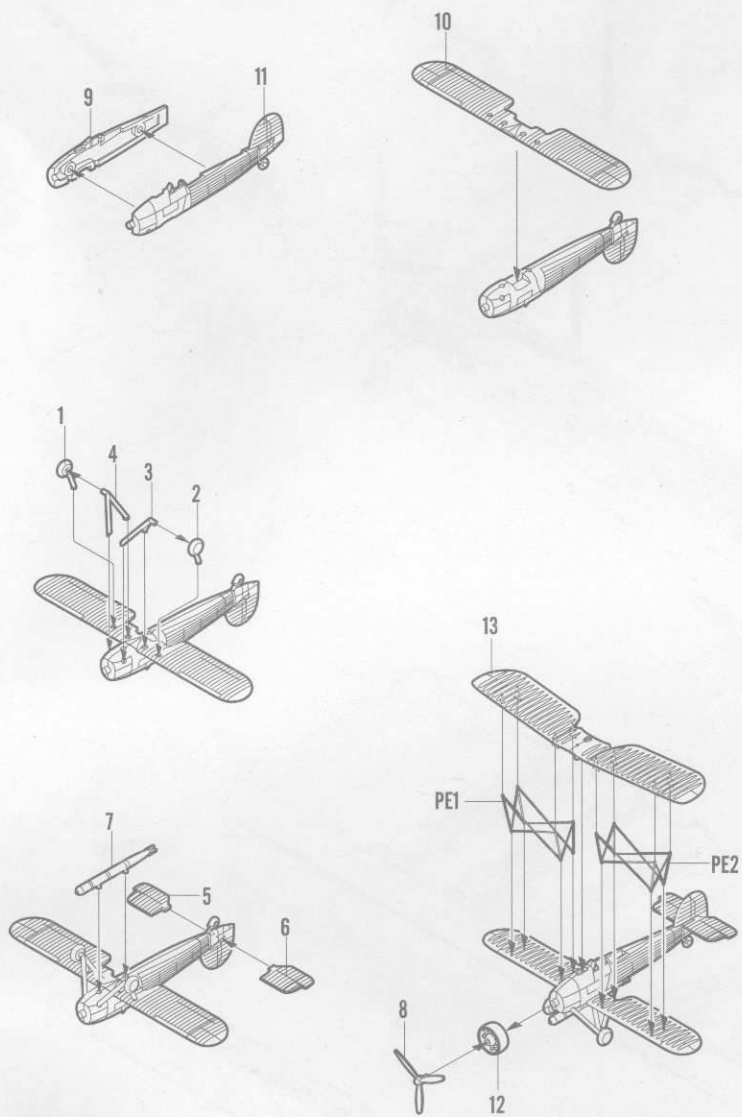


STEP
33



STEP
34

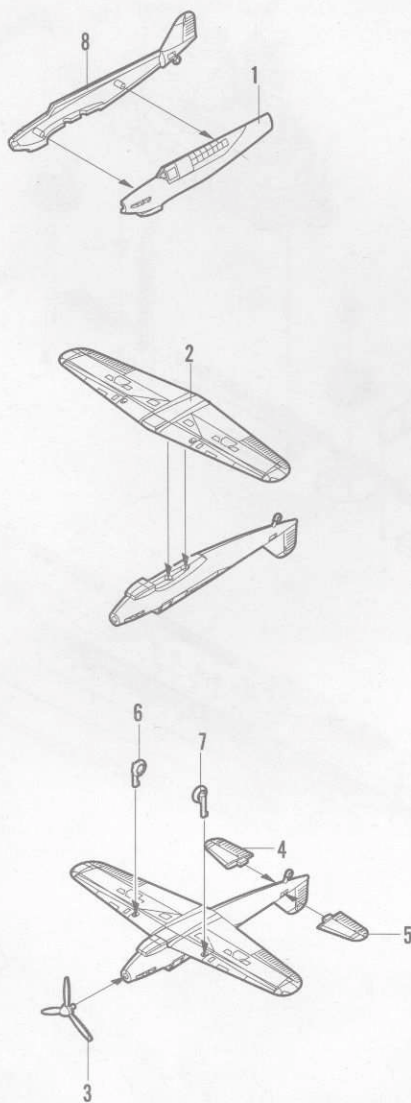
SWORDFISH 的组装
Assembly of SWORDFISH



制作 5 套
Make five

STEP
35

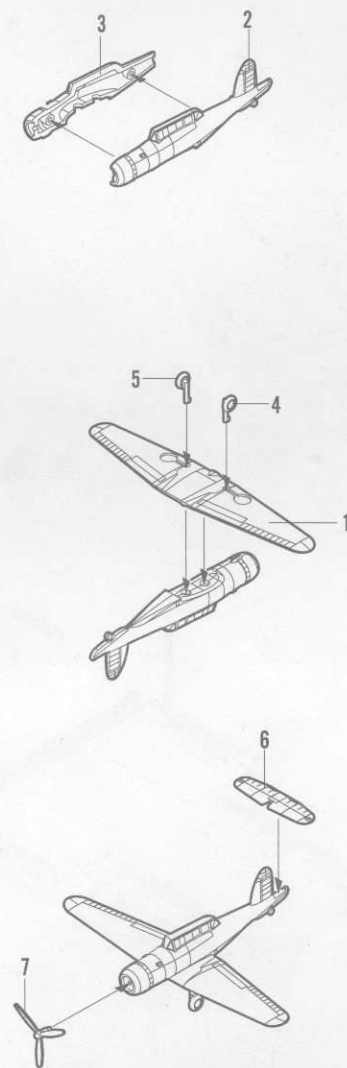
FULMAR MKI 的组装
Assembly of FULMAR MKI



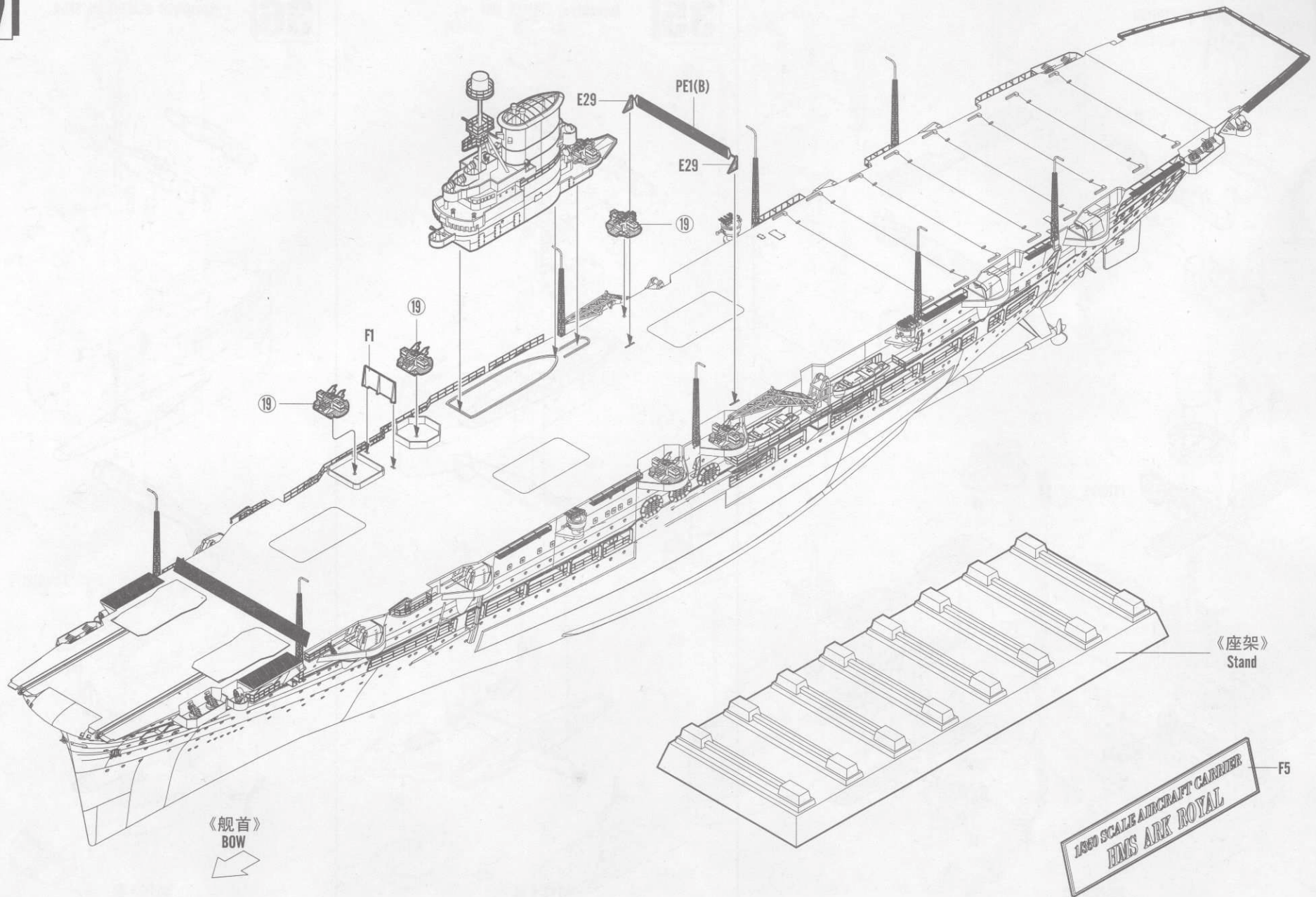
制作 4 套
Make four

STEP
36

BLACKBURN SKUA 的组装
Assembly of BLACKBURN SKUA

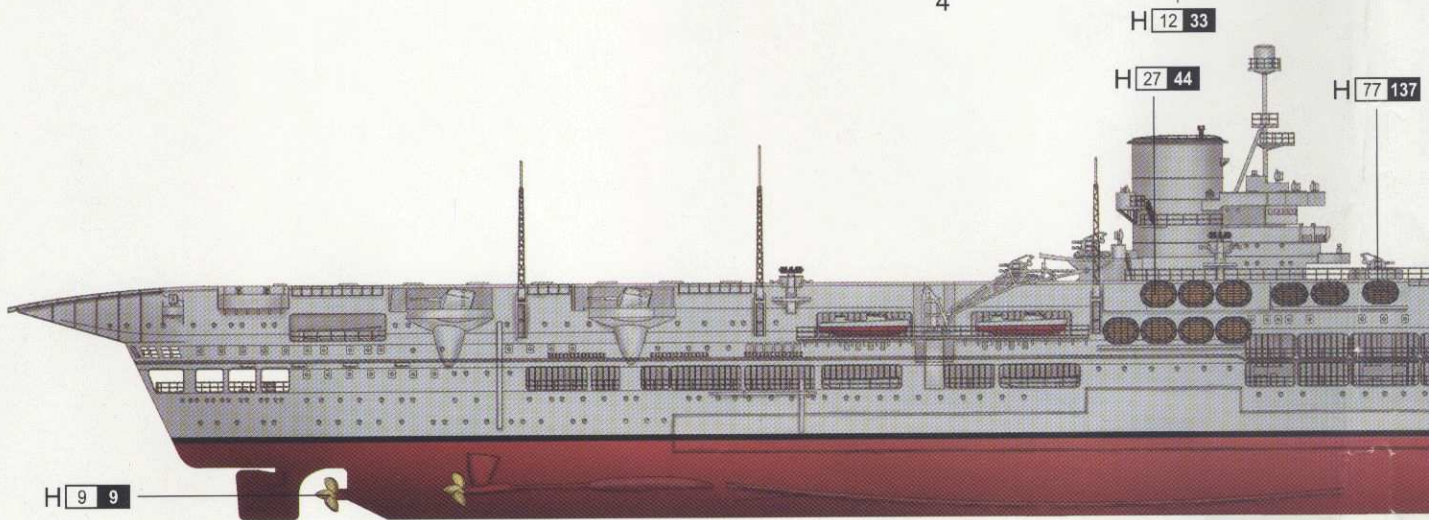
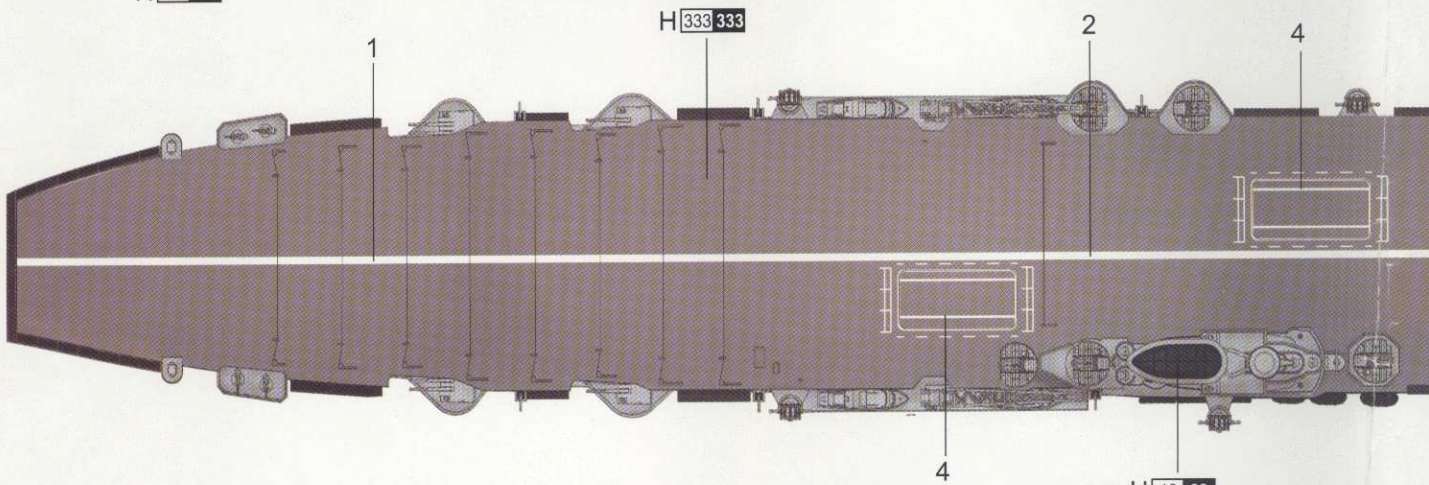
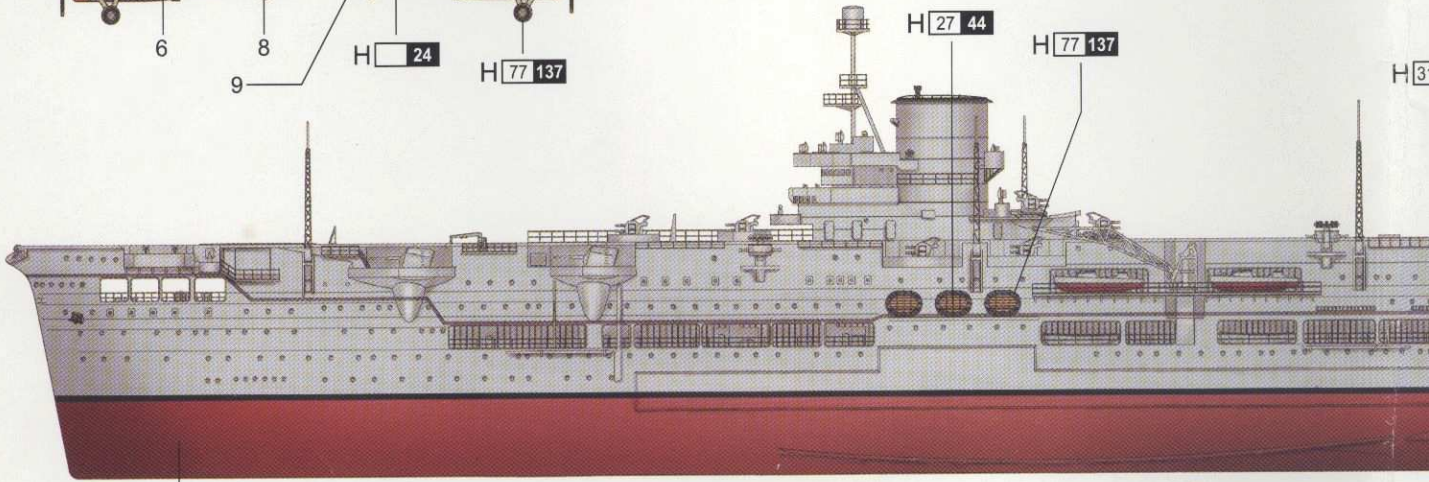
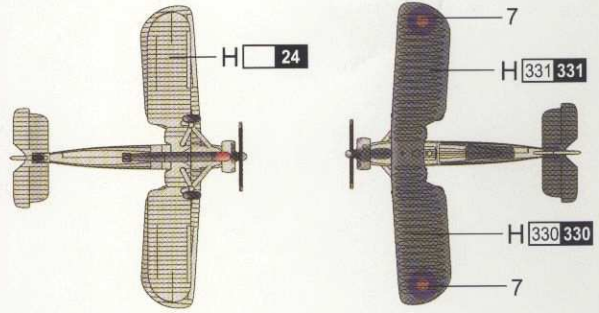
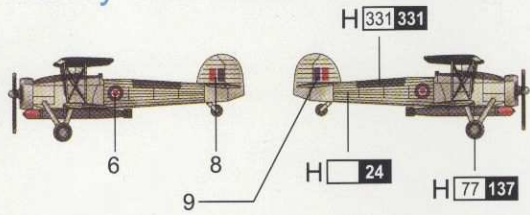


制作 4 套
Make four



涂装同标贴指示 Painting & Marking guide

Fairey Swordfish



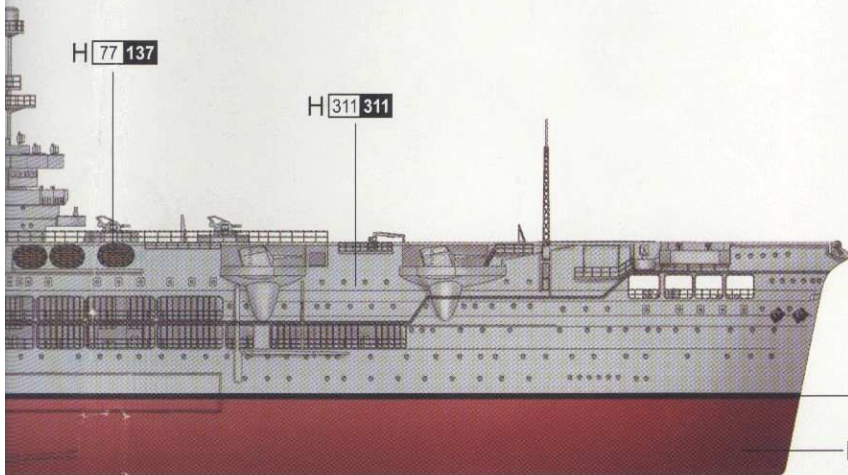
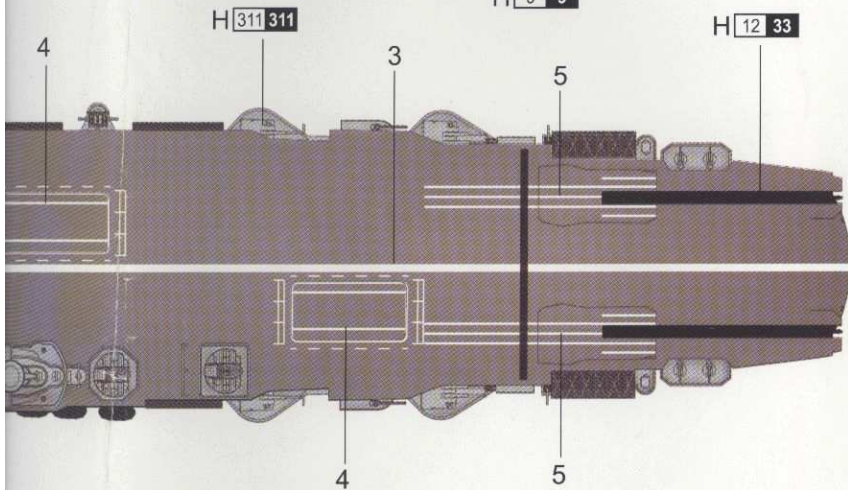
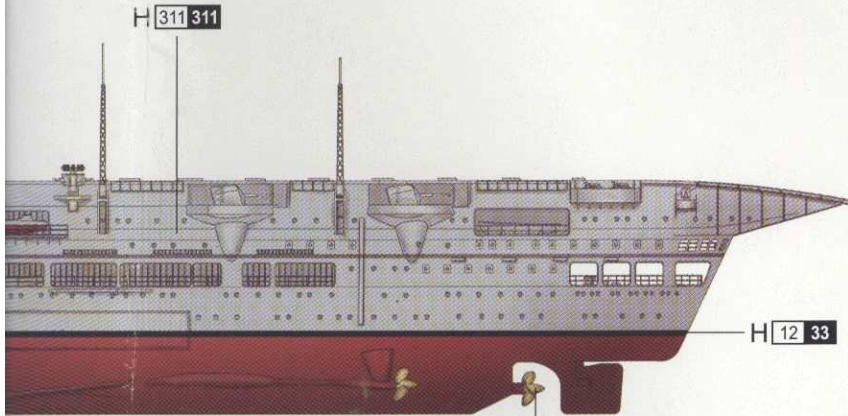
H AQUEOUS HOBBY COLOR ■ Mr. COLOR

PAINT REFERENCE COLOUR

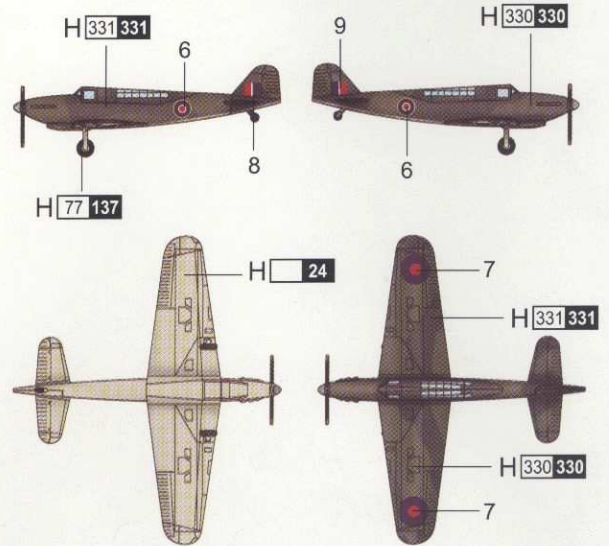
Color	Mr.Hobby	Vallejo	Model Master	Tamiya	Humbrol
Gold 金色	H 9 9	878	1744	X12	16
Hull Red 舰底红	H 17 29	985	--	XF9	177
Gray 灰色	H 311 311	833	1733	XF55	28
Dark SeaGray 深海灰	H 333 333	994	--	XF50	123
Tan 黄褐色	H 27 44	981	--	--	9

PAINT REFERENCE COLOUR

Color	Mr.Hobby	Vallejo	Model Master	Tamiya	Humbrol
Flat Black 消光黑	H 12 33	950	1749	XF1	33
Sky 天空色	H 24	--	--	--	--
Dark Green 深绿色	H 330 330	892	--	--	163
Dark SeaGray 深海灰	H 331 331	--	--	XF54	164
Tire Black 胎黑色	H 77 137	--	--	--	--



Fulmar MK.1



Blackburn Skua

