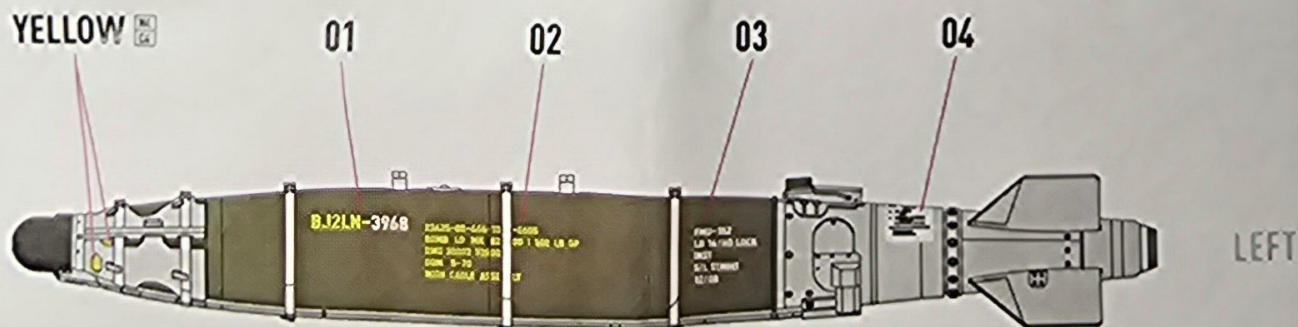
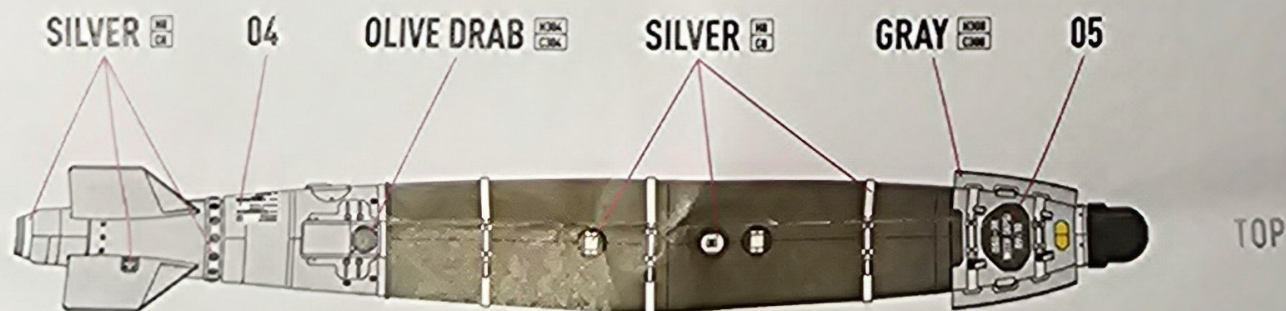
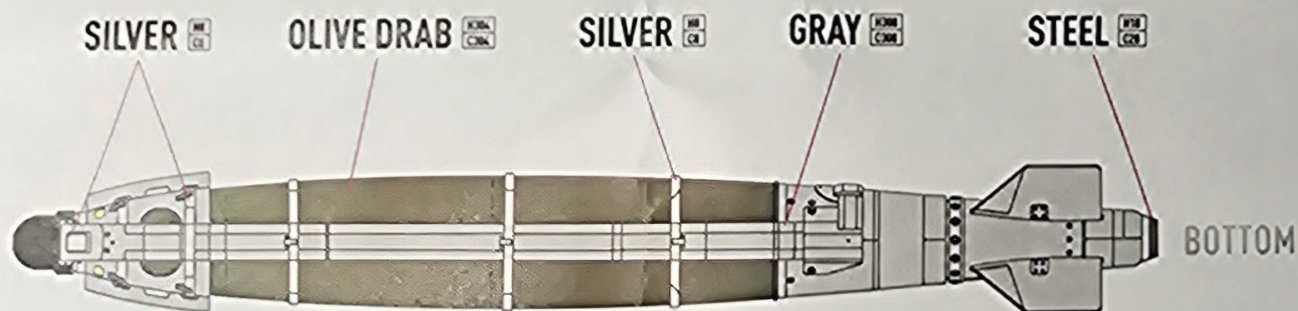


COLORS	GUNZE / AEGIUS	GUNZE / MR.COLOR	FEDERAL STANDARD
OLIVE DRAB	H304	C304	FS 34087
YELLOW	H4	C4	FS 33538
FLAT BLACK	H12	C33	

COLORS	GUNZE / AEGIUS	GUNZE / MR.COLOR	FEDERAL STANDARD
GRAY	H308	C308	FS 36375
STEEL	H18	C28	
SILVER	H8	C8	



GBU-38 FUZING OPTIONS

DSU-38A/B PLGS WITH
ADJUSTABLE PROXIMITY
SENSOR (APS)

■ H12 / C33



■ H8 / C8

■ H308 / C308

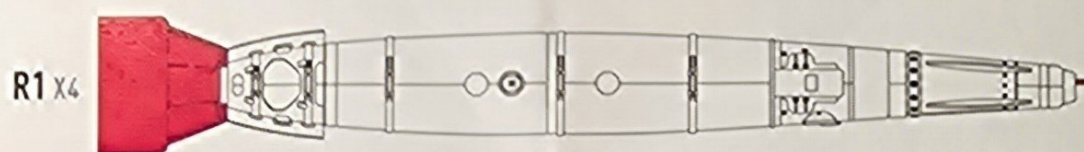
R7

AJ SAASM GPS ANTENNA
(OPTIONAL)

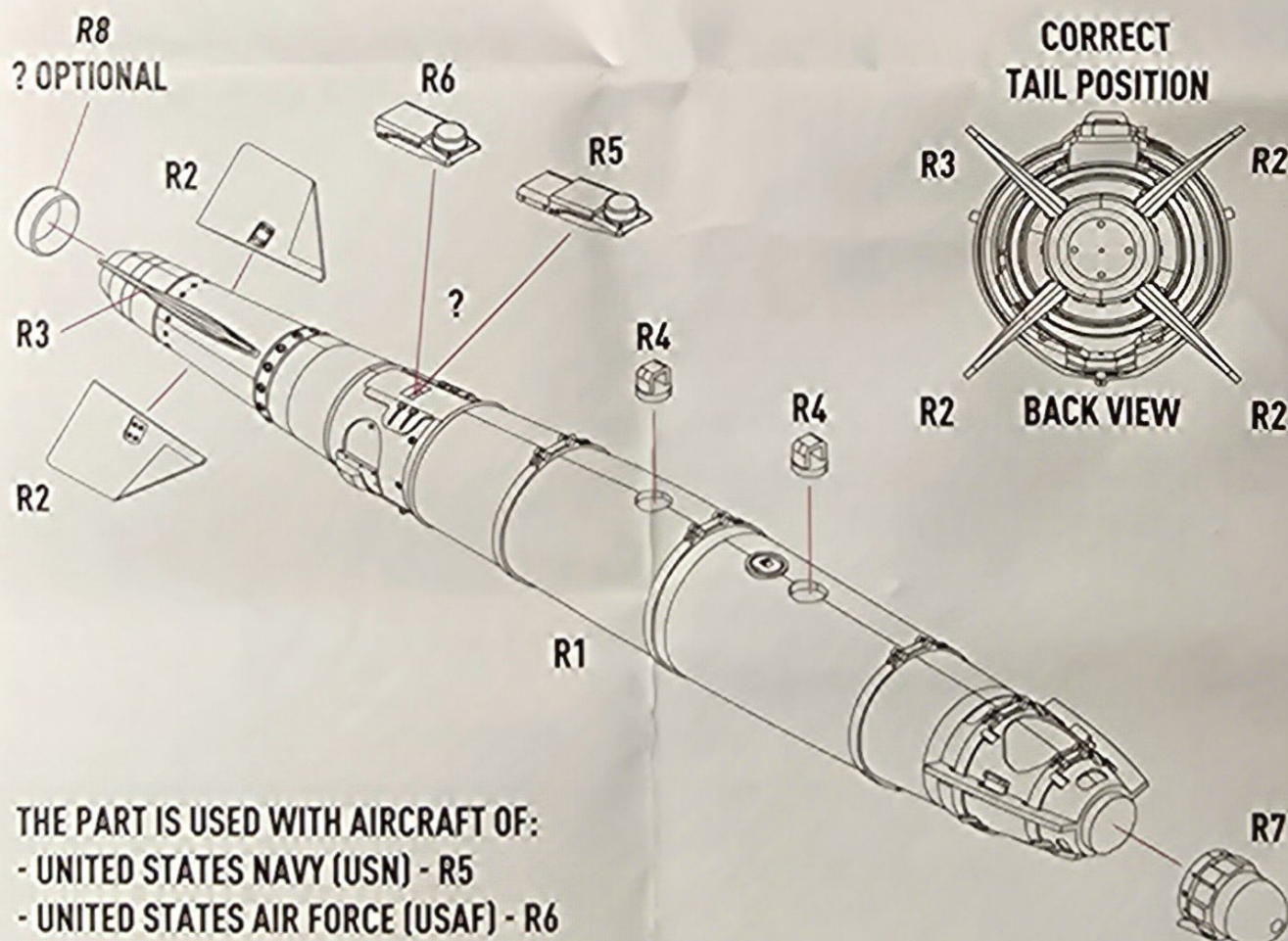
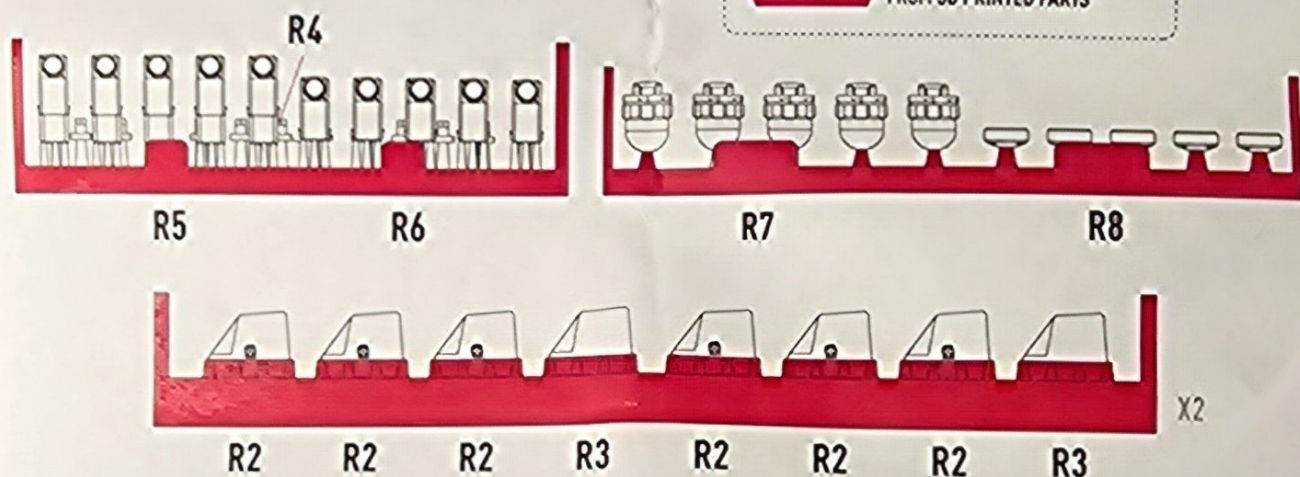


■ H304 / C304

R8



USE A SAW TO REMOVE SUPPORTS
FROM 3D PRINTED PARTS



THE PART IS USED WITH AIRCRAFT OF:
- UNITED STATES NAVY (USN) - R5
- UNITED STATES AIR FORCE (USAF) - R6