

# Soviet JS-4 Heavy Tank

## 苏联JS-4重型坦克

**READ BEFORE ASSEMBLY:**

- Study and understand these instructions thoroughly before beginning assembly
- When needed, remove photo-etch parts carefully using a modeling knife or photo etch sprue cutter, being careful not to damage or lose small parts.
- Take extra care in handling photo etch parts in order to avoid injury
- Apply instant cement sparingly to photo etch parts where instructed
- Tools recommended(not included in kit):Plastic and instant cements, sprue cutters,long nose pliers,modeling knife, small files, tweezers, pin vise & scissors. Soft cloth and sandpaper will also assist in construction
- Glue and paint are not included in the kit. Use plastic cement and hobby paints only. Color guide for purchasing paint is included in the kit.

**装配之前仔细阅读**

- 小心用模型锉刀锉平所有零件表面的注射浇口。
- 小心用刀片切下蚀刻片零件，不要遗失小零件。
- 用强力快干胶水粘合蚀刻片零件和金属轴。过量快干胶水使用可能导致可动零件会粘住，小心涂胶。
- 取蚀刻片时应特别注意安全，防止利边划伤手指。
- 某些零件表面需贴水上贴纸，请选择在装配的同时进行。
- 推荐模型工具(自备)：胶水，水口剪刀，长咀钳，刀片，锉刀，镊子，钳，钻，剪刀，瞬间快干胶。
- 软布同砂纸同时也应该是必备工具。
- 请使用塑料胶水和油漆，模型内不含。



配重  
Weight



使用强力胶  
Cyanoacrylate glue



钻孔  
Make hole



切除  
Cut / Remove



贴纸  
Decal



锉平  
File / Sand



选择  
Option



不涂胶水  
No cement



弯曲  
Bend

**水贴纸的使用:**

- 1.从水贴纸上剪下印花;
- 2.将印花放入温水中浸10秒，然后放在干净布上。
- 3.拿着印花纸板将印花移到模型上;
- 4.手指蘸水将印花移到适当的位置;
- 5.用软布轻压印花直至水干，气泡消失

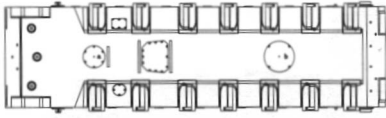
**DECAL APPLICATION**

- 1.Cut decals from sheet as needed
- 2.Dip the decal in warm water for about 10 seconds and then place on soft clean cloth.
- 3.Hold the decal backing sheet edge and gently slide the decal onto the model in its proper position.

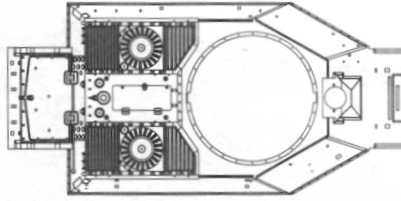
- 4.While still wet,decal can be adjusted for better fit on model by dampening it gently with your finger.
- 5.When placed in the proper position,gently press decal down with a soft cloth until excess water and air bubbles are gone.
- 6.Allow decal to dry completely before handling model

# 部品图 Parts

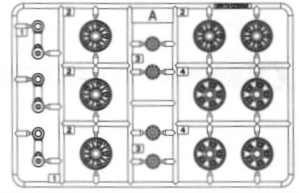
《车底》  
Lower hull



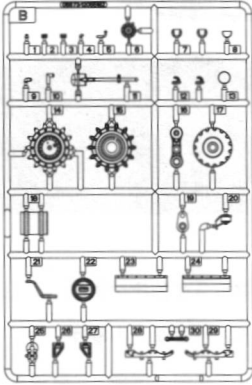
《车面》  
Upper hull



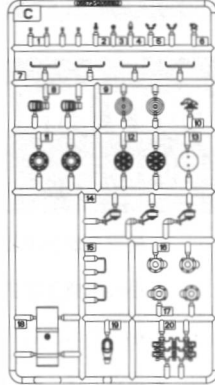
Ax4



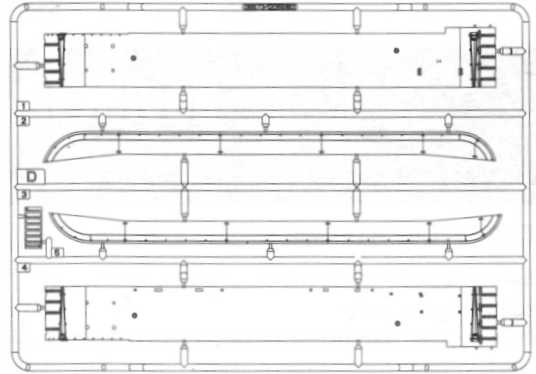
Bx2



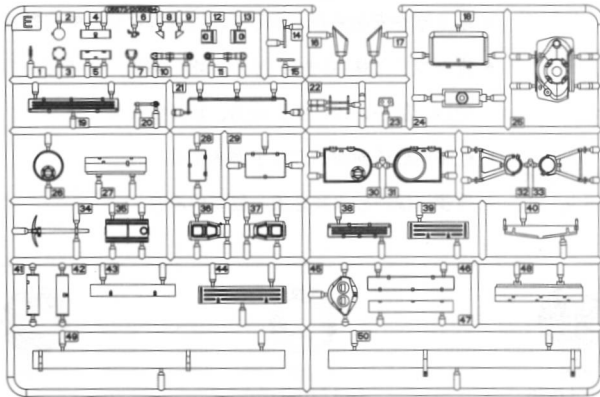
Cx4



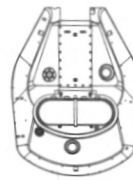
D



E



《炮塔面》  
Turret side



《炮塔底》  
Turret bottom



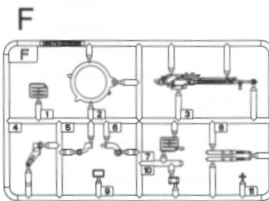
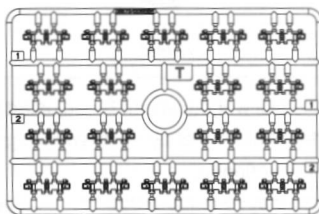
《金属炮管》  
Metal barrel



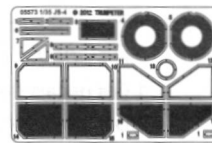
《铜缆》  
φ1.0x200mm



Tx10



《蚀刻片》  
PE

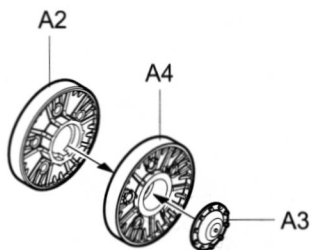


《水贴纸》  
Decal



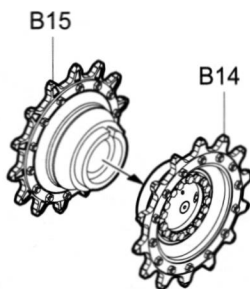
不用的部件: E14  
Unused parts

1

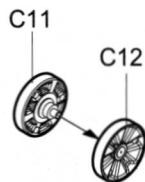


制作14组  
Make Fourteen

《A-A》

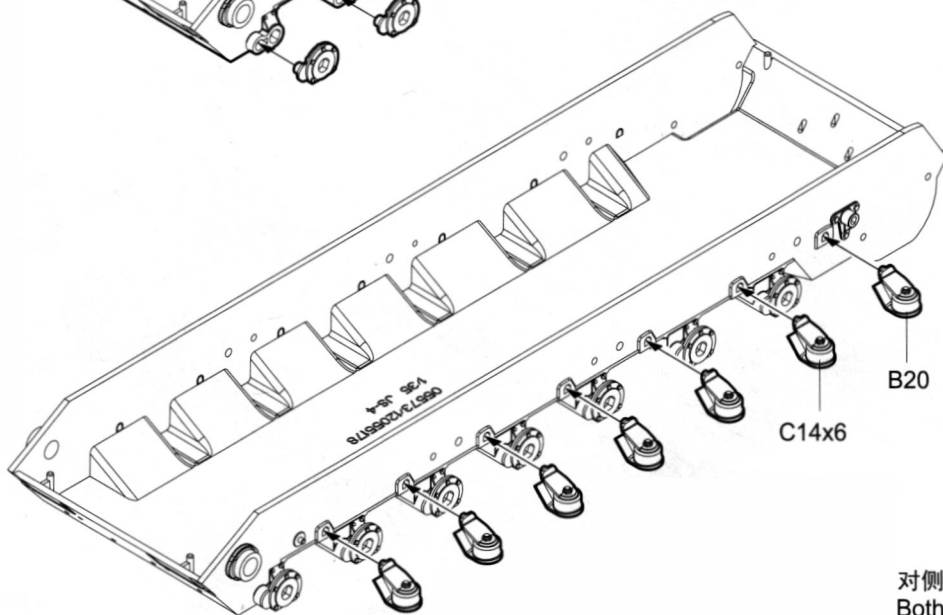
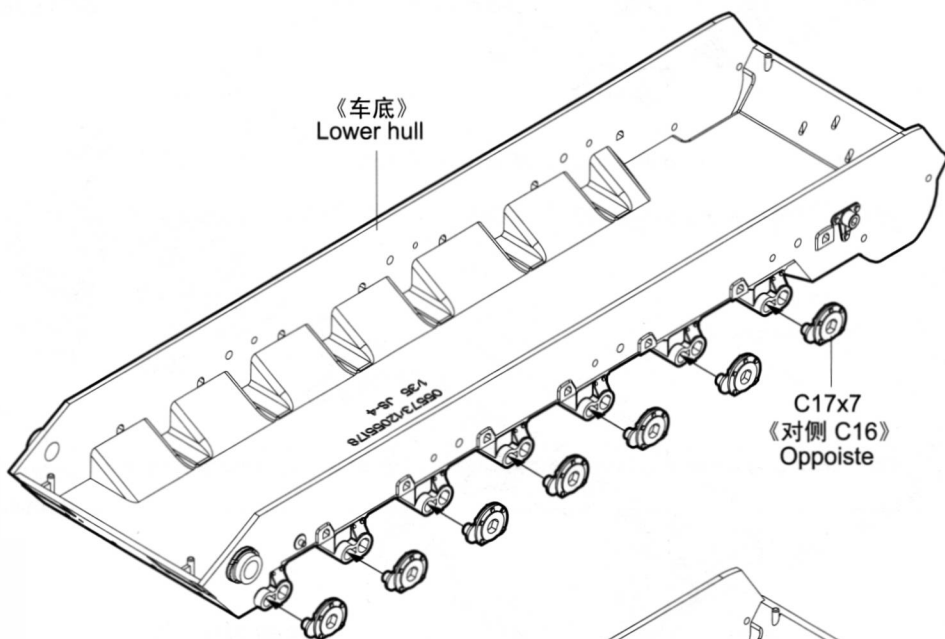


《主动轮》  
Sprocket wheel  
制作2组  
Make two

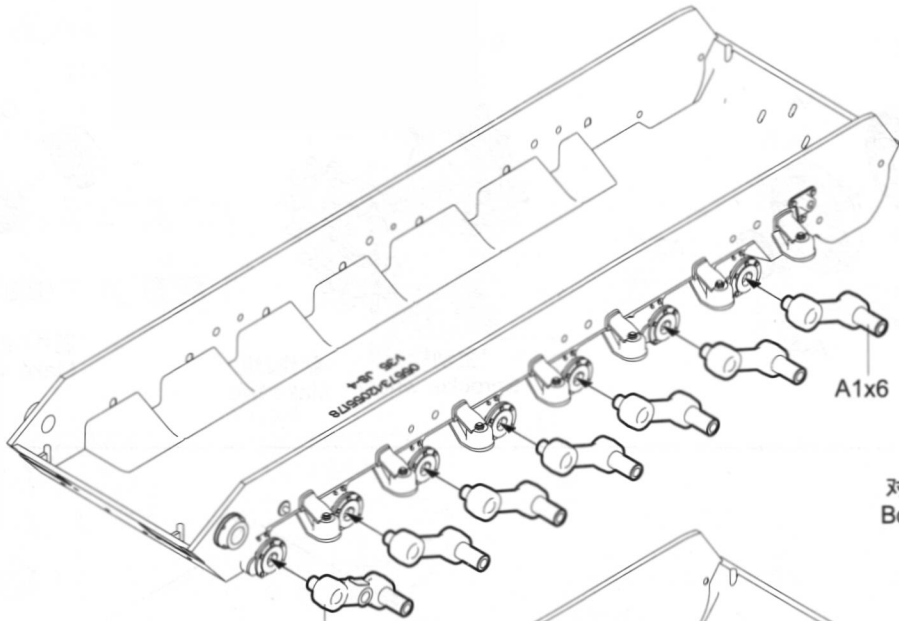


《B-B》  
制作6组  
Make six

2



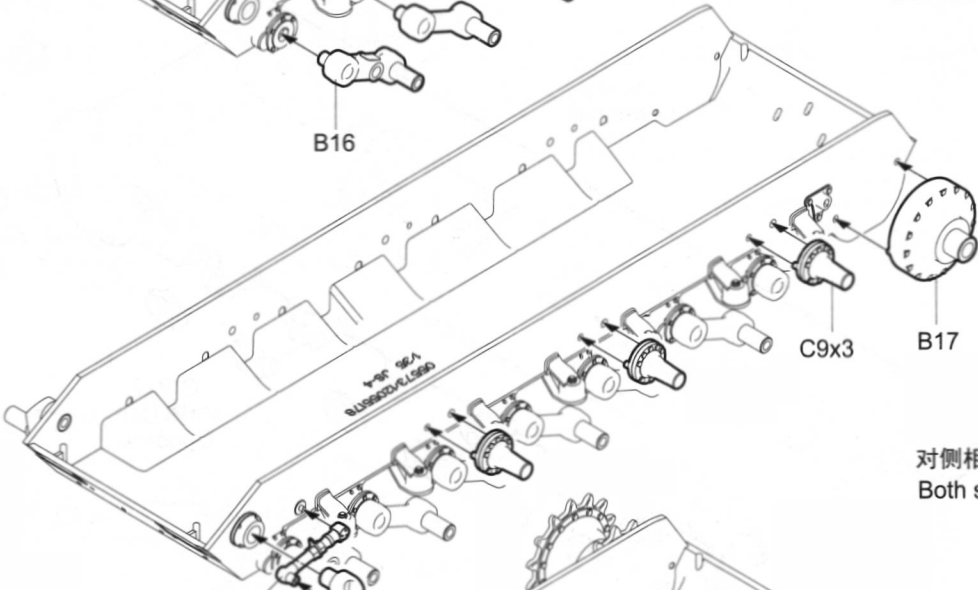
对侧相同  
Both side



A1x6

对侧相同  
Both side

B16

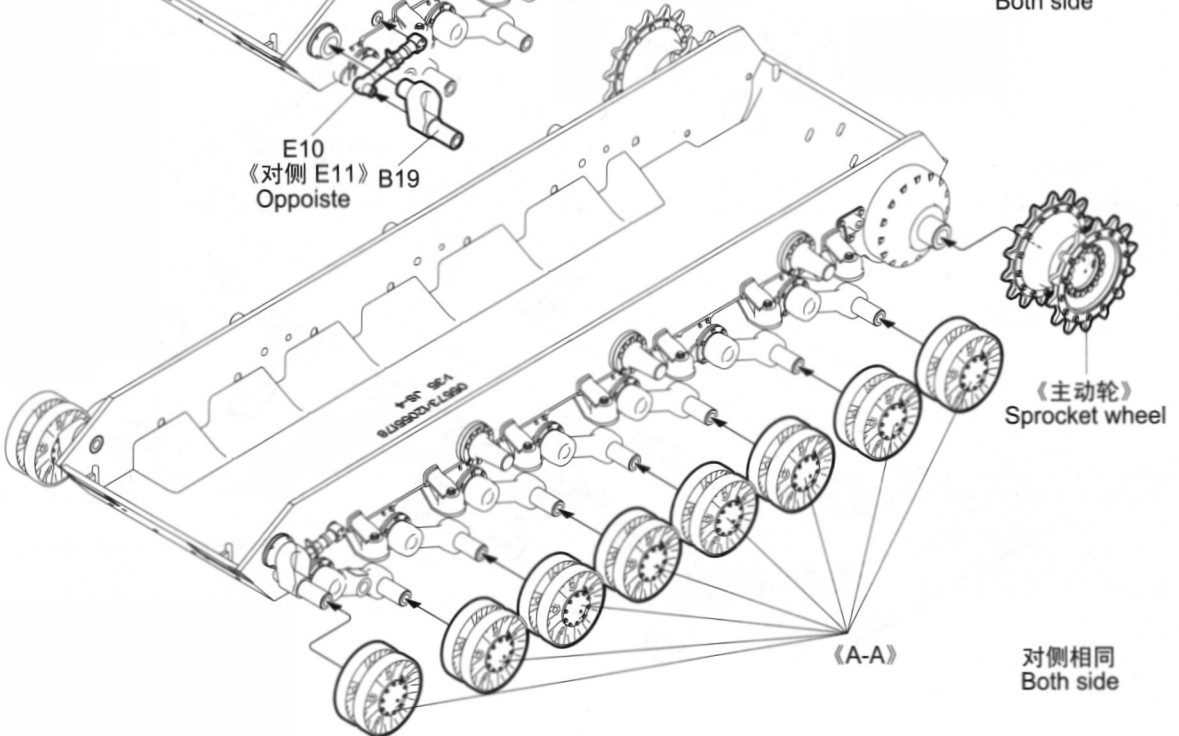


C9x3

B17

对侧相同  
Both side

E10  
《对侧 E11》 B19  
Opposite

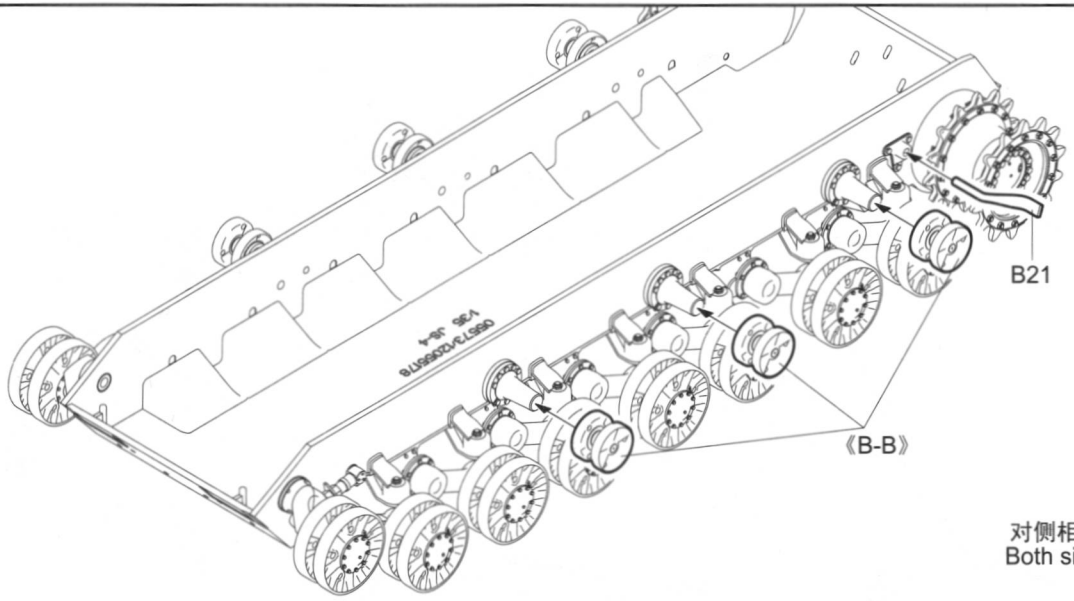


《主动轮》  
Sprocket wheel

《A-A》

对侧相同  
Both side

4

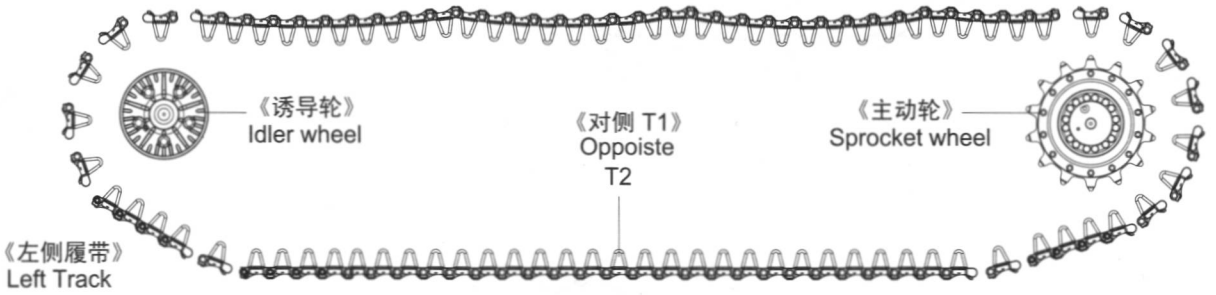


对侧相同  
Both side

5

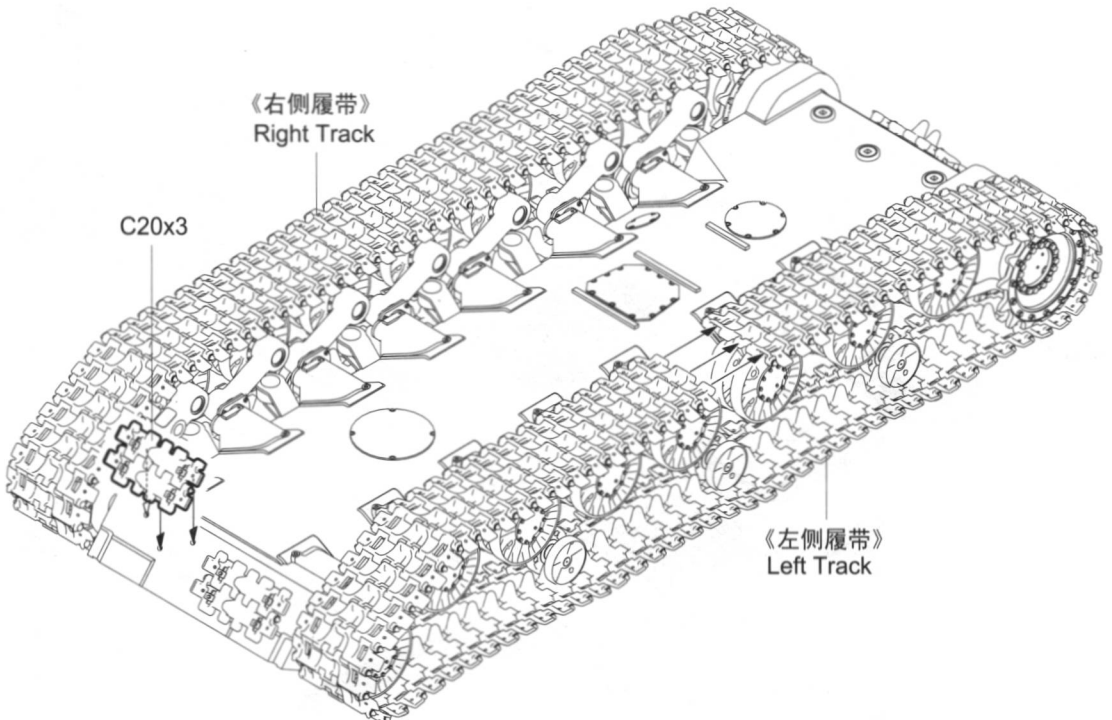
履带联接  
Track construction

单侧履带需85节  
Complete track for one side require 85 links



《左侧履带》  
Left Track

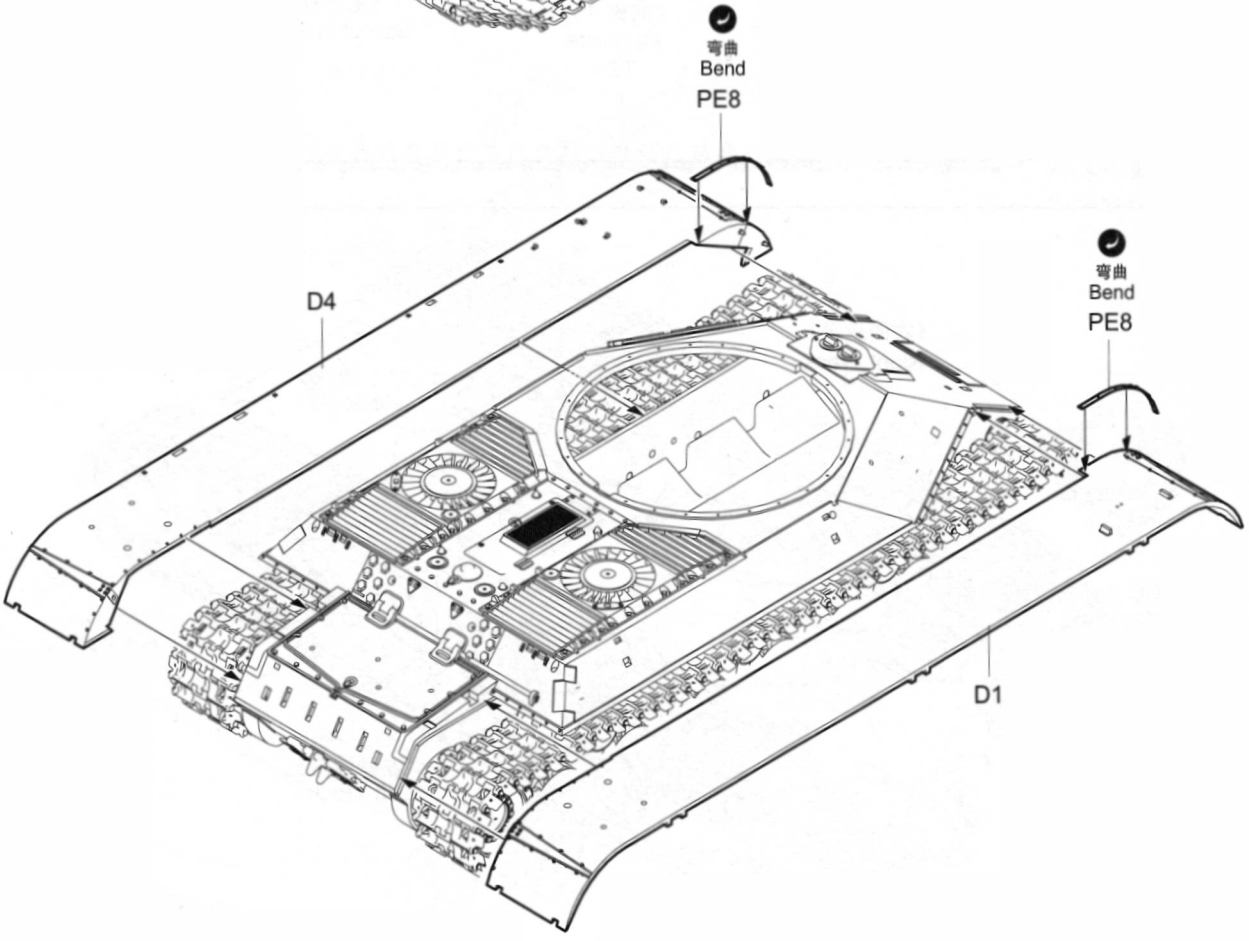
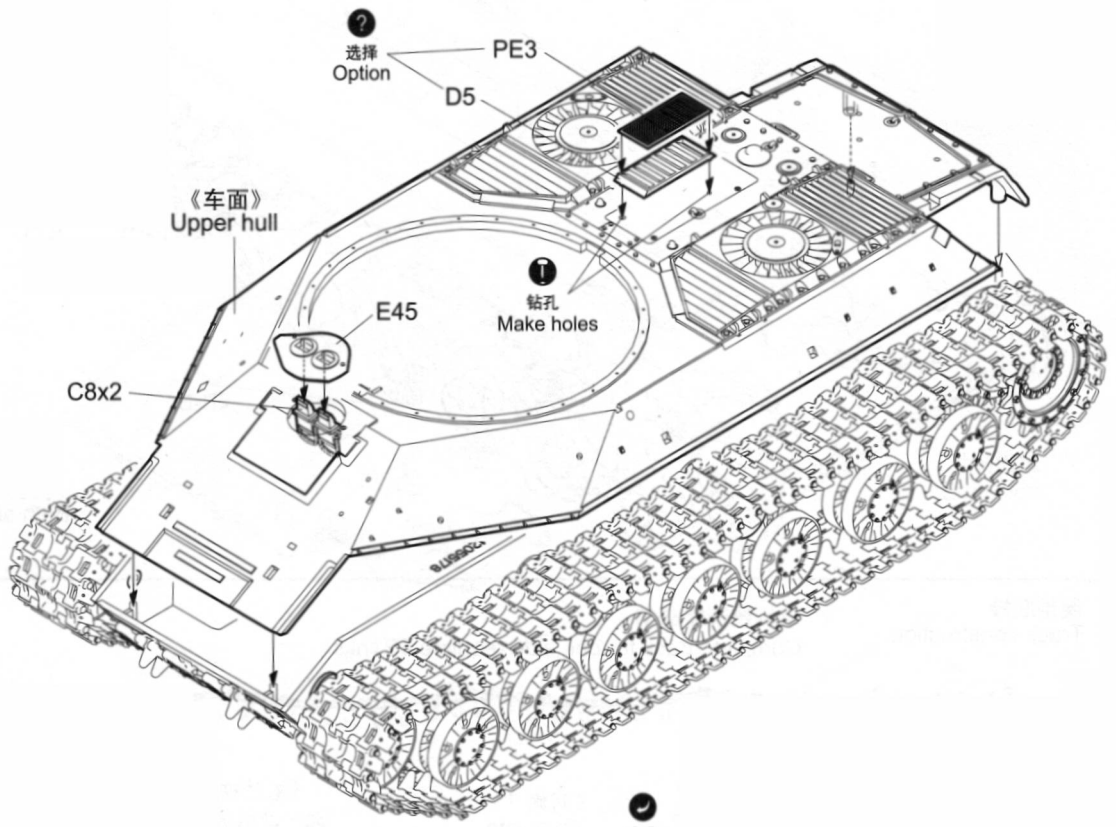
6



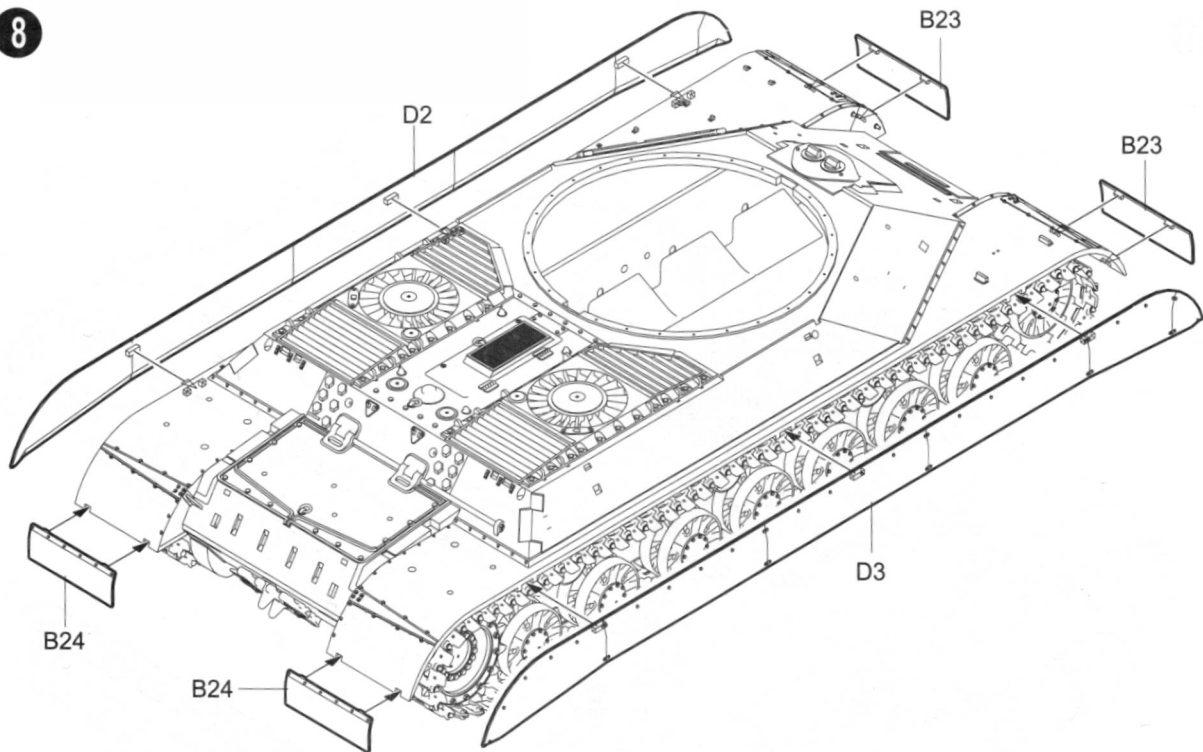
《右侧履带》  
Right Track

《左侧履带》  
Left Track

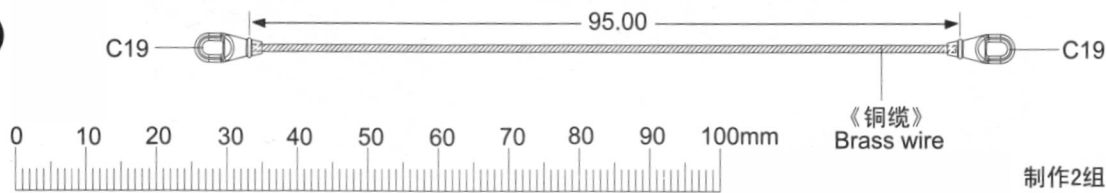
7



8

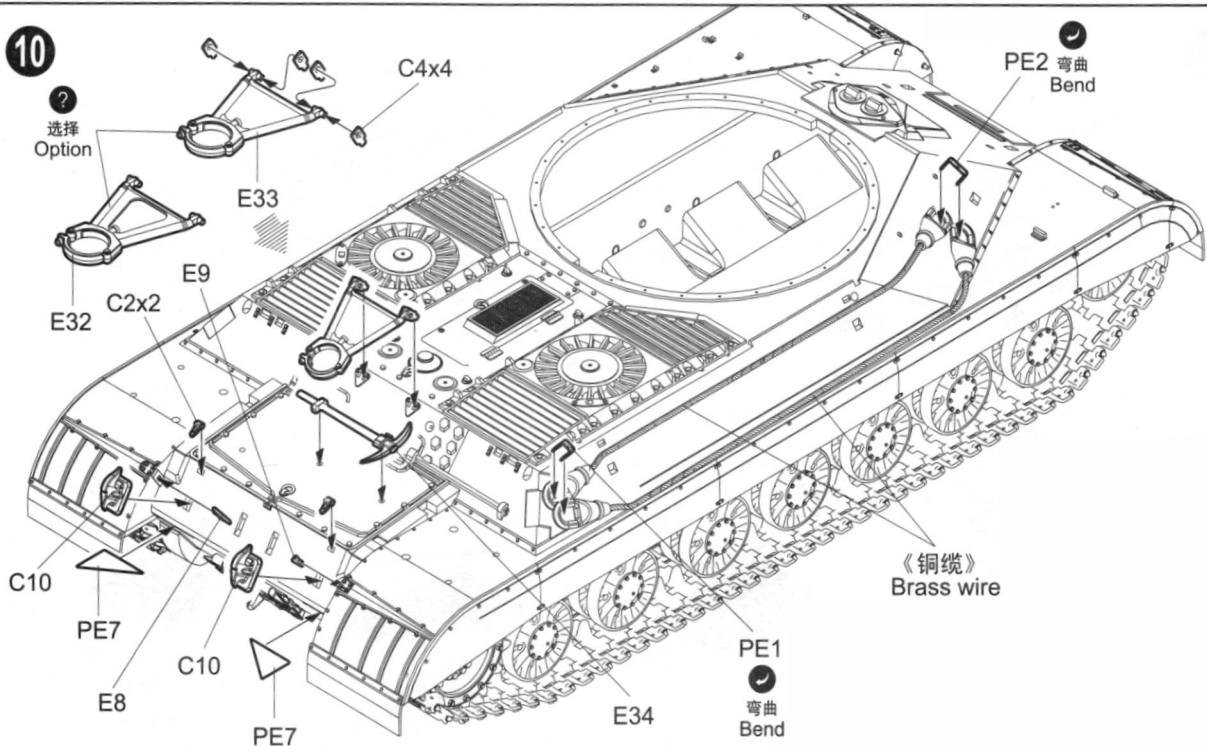


9

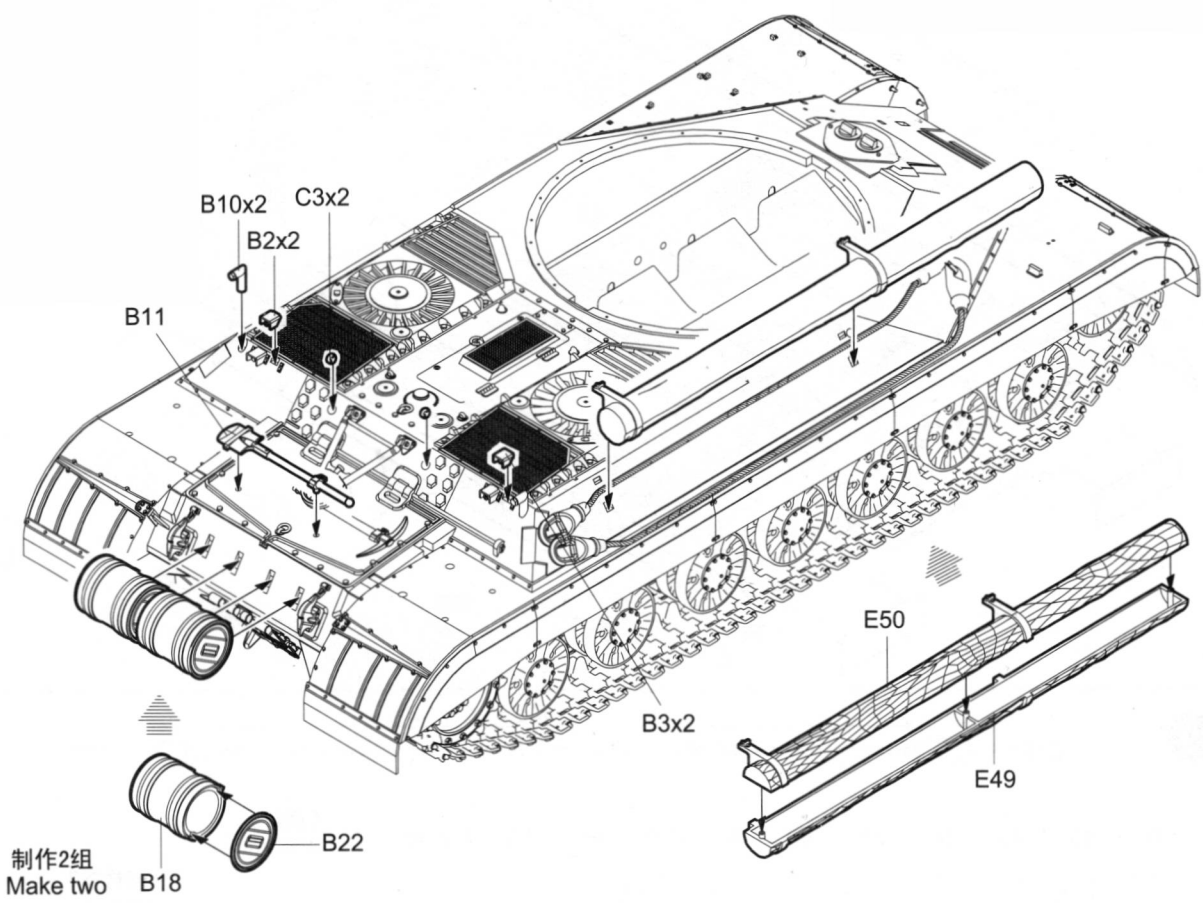


制作2组  
Make two

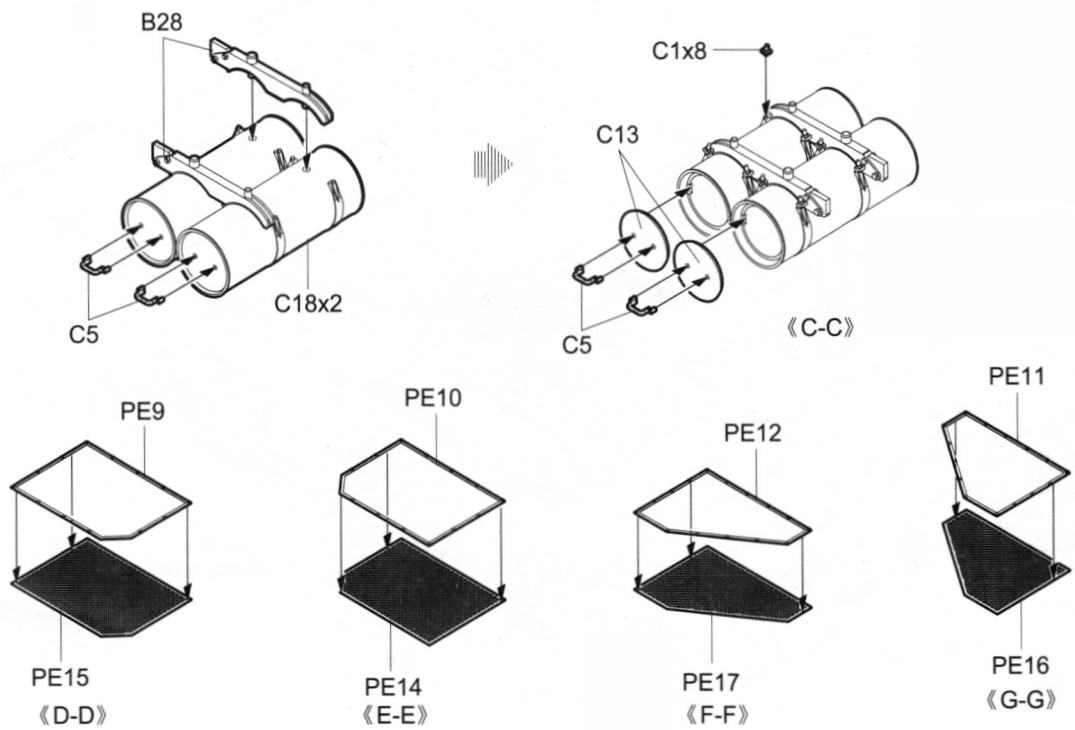
10



11

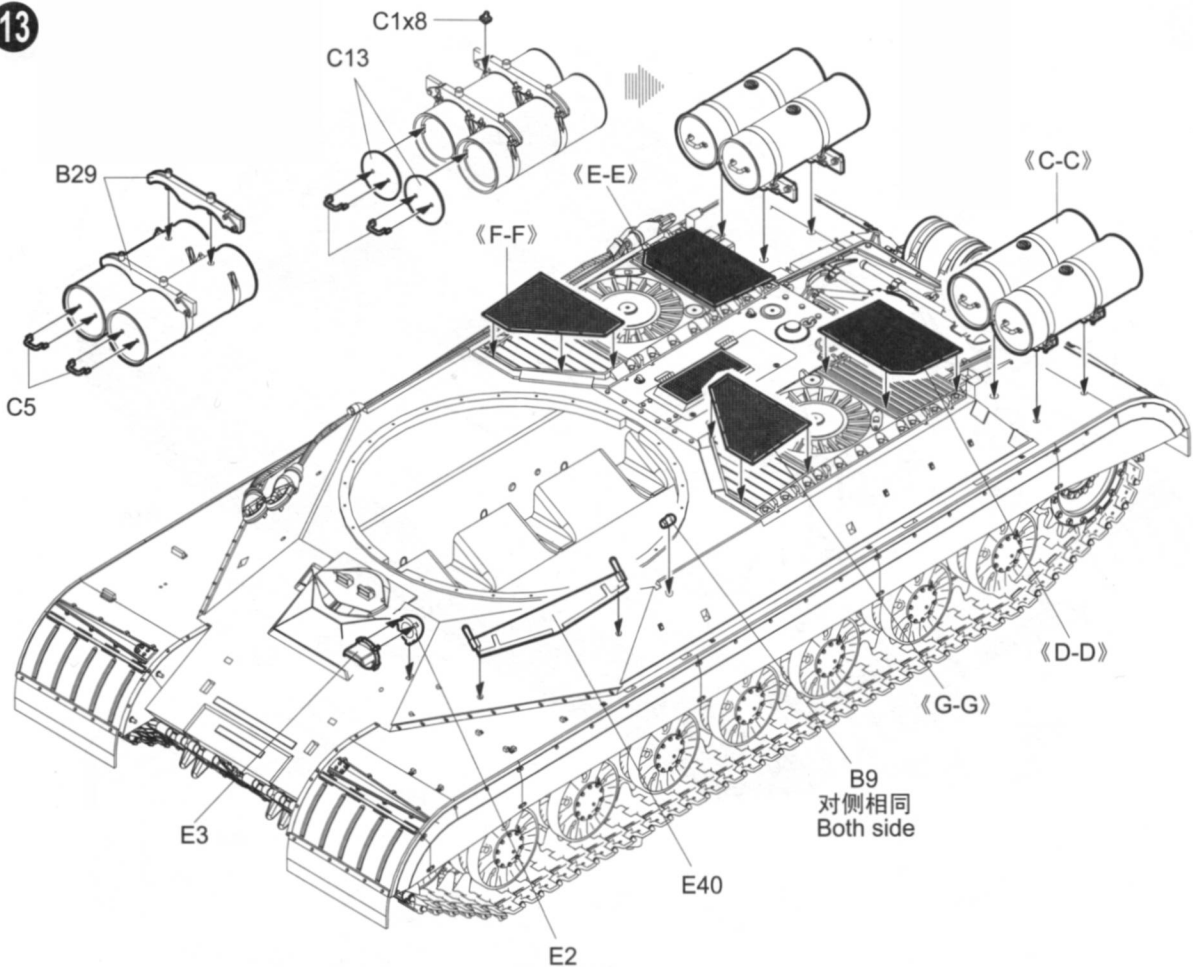


12

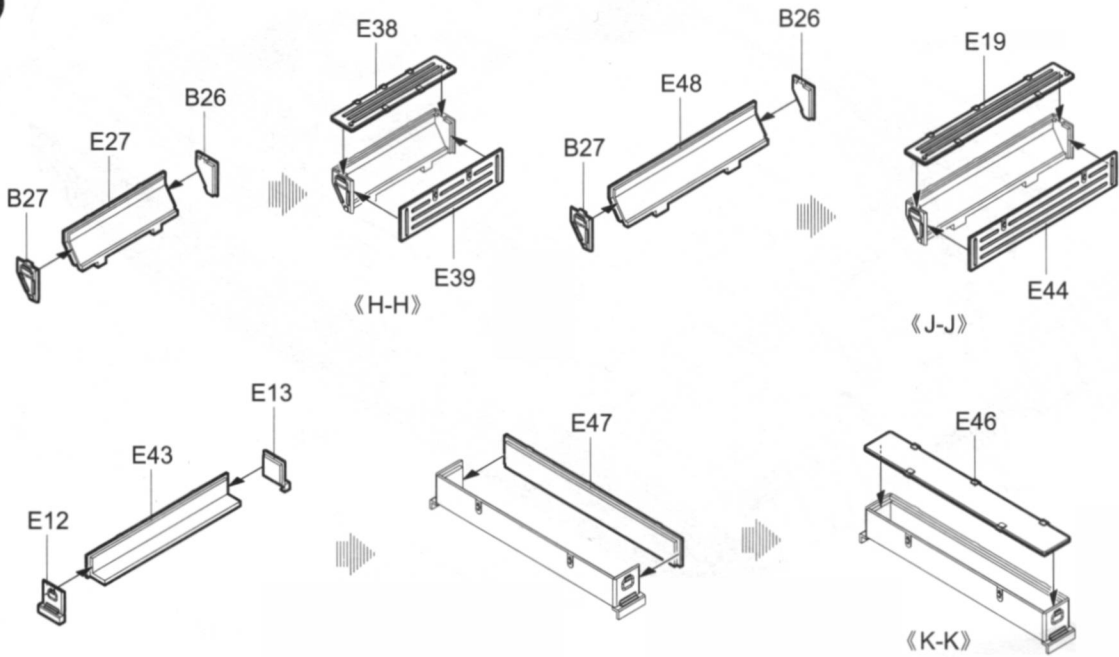


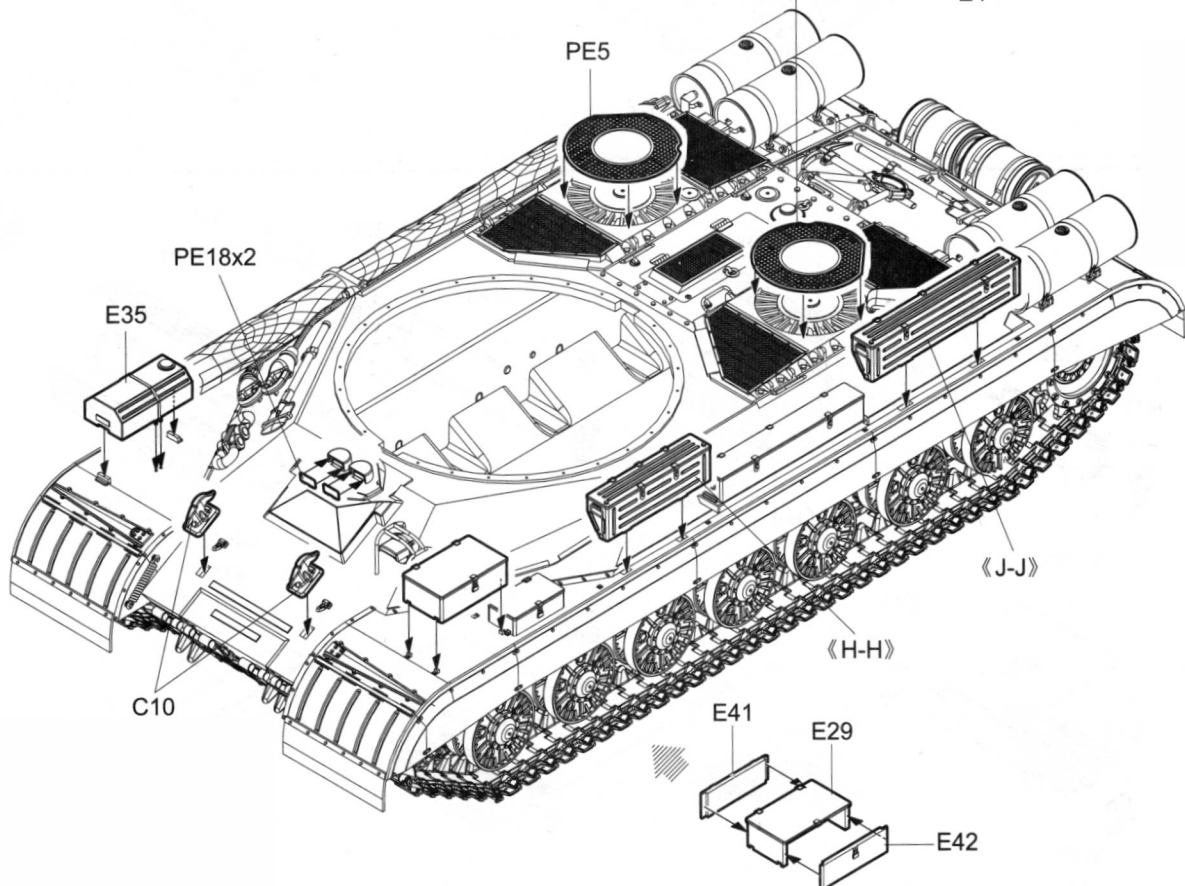
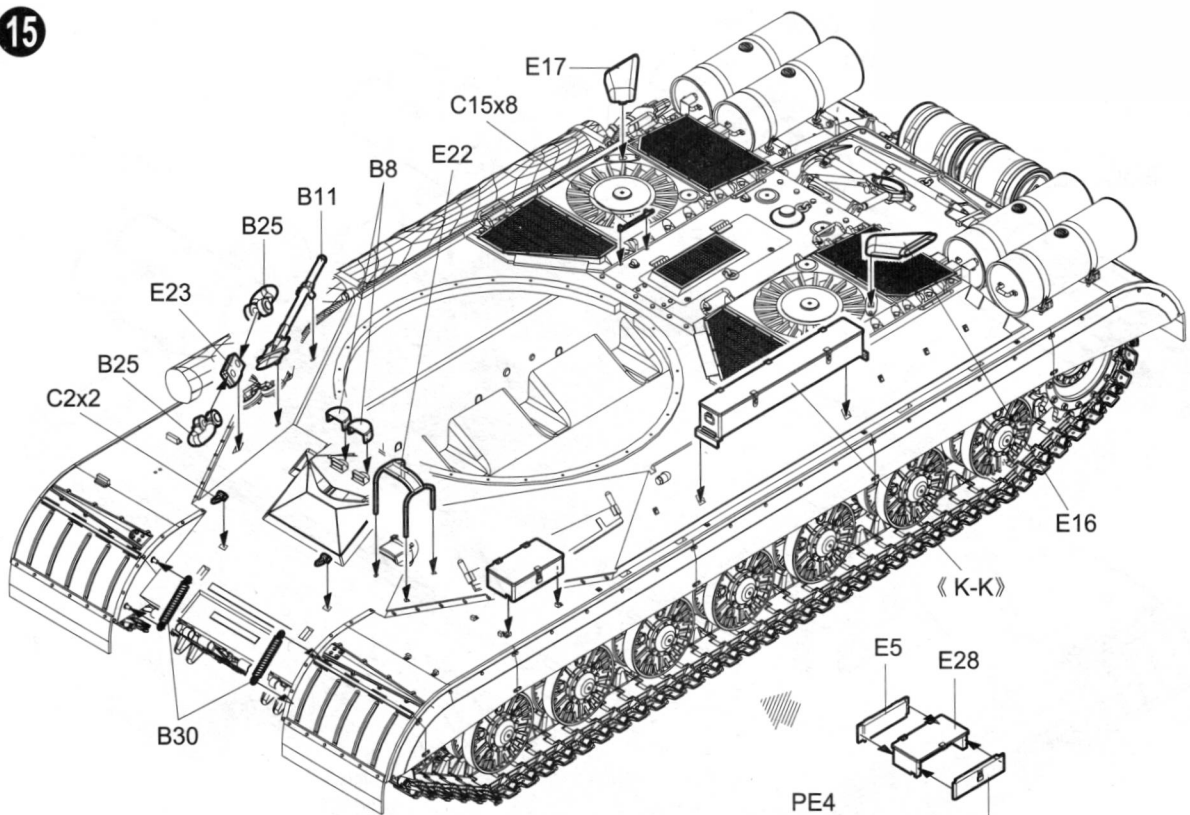


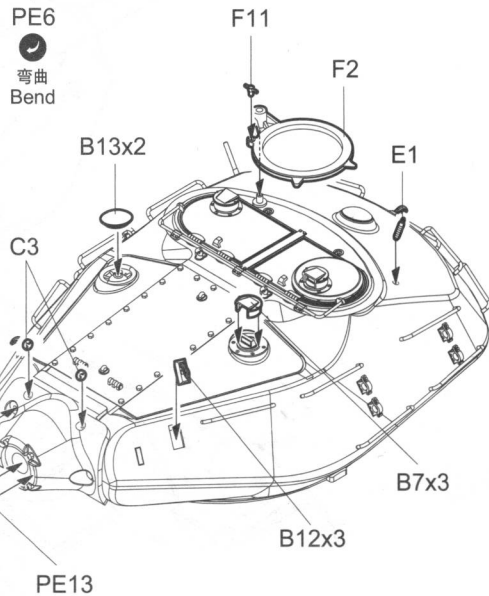
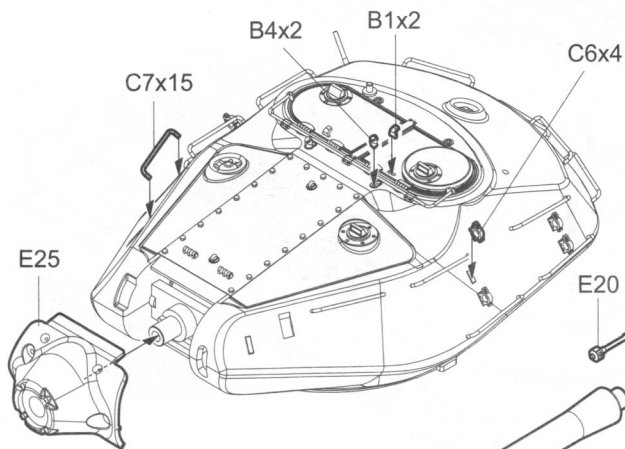
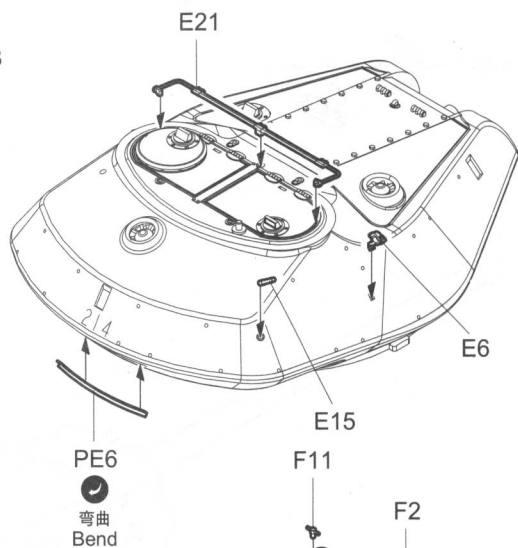
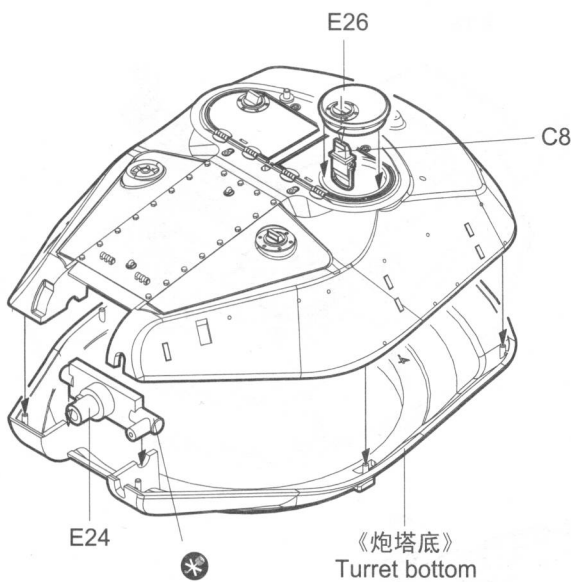
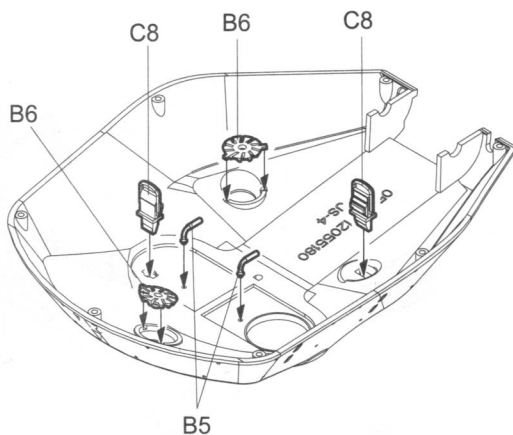
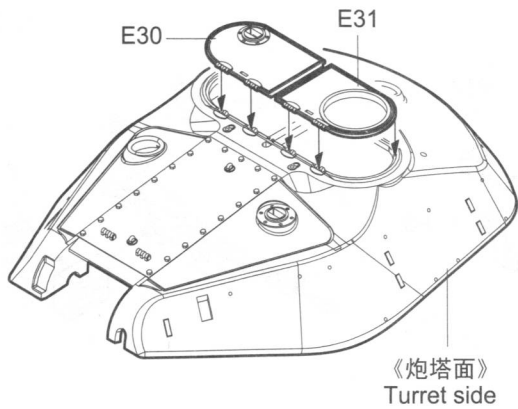
13



14







不涂胶水  
No cement

17

