

# UH-60L Blackhawk



The new Minicraft UH-60 represents a National Guard UH-60L as used in domestic service in the United States. The Blackhawk is been used for a range of duties that include search and rescue operations, fire fighting and border patrol. This new kit features recessed panel lines interior detail and markings for Louisiana National Guard and during Hurricane Katrina, and California National Guard for fire fighting duties in Southern California.

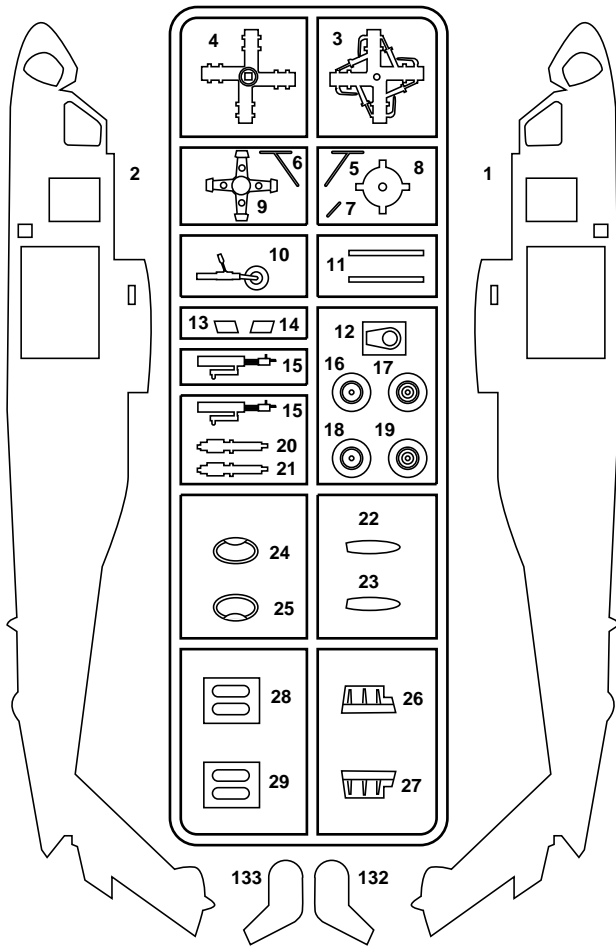
Minicraft Models, 1501 Commerce Drive, Elgin IL 60123 USA  
[www.minicraftmodels.com](http://www.minicraftmodels.com)

Printed in China

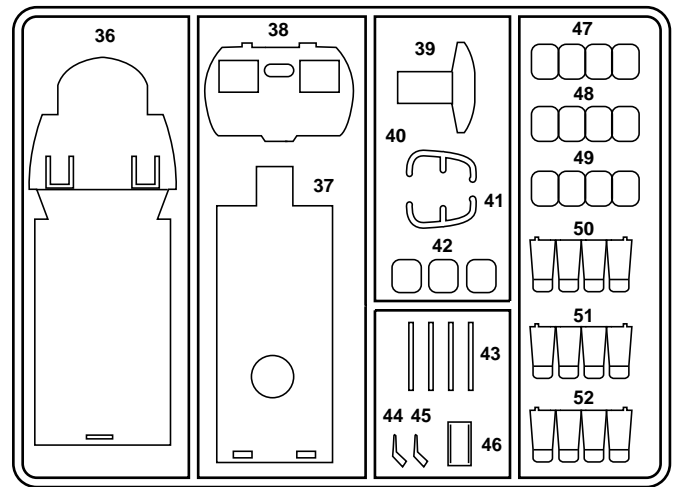
11655

# PARTS LOCATING DIAGRAM

## FUSELAGE SPRUE

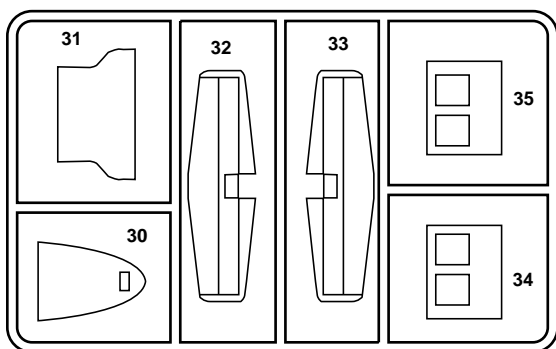


## INTERIOR SPRUE

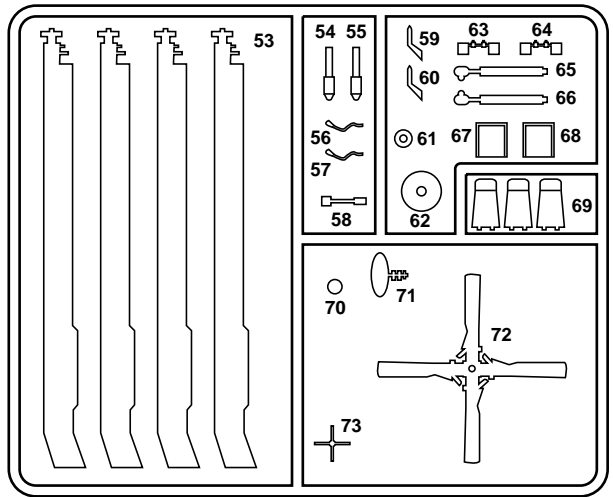


**PLEASE NOTE**  
Some parts will not be used to complete this model.

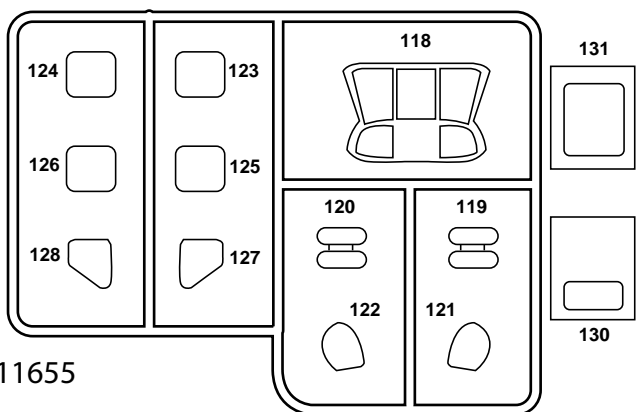
## TAIL SPRUE



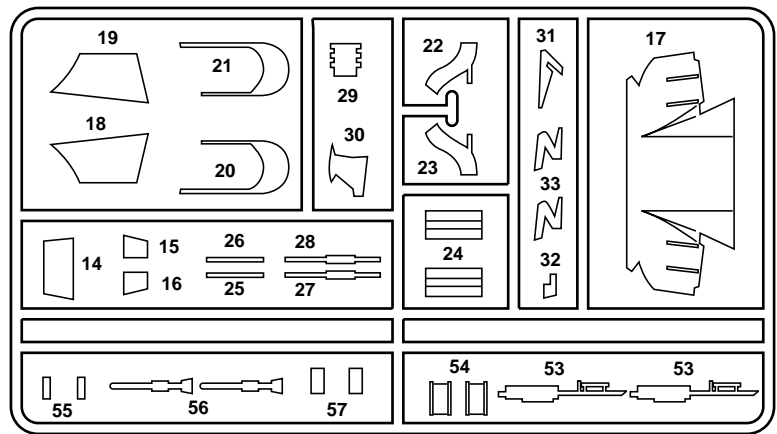
## ROTOR SPRUE



## CLEAR SPRUE



## UH PARTS SPRUE





Cement  
Coller  
Kleben  
Pegar  
Incollare  
Colar  
Kleven



DO NOT Cement  
Ne pas Coller  
Nicht Kleben  
No Pegar  
Non Incollare  
Nao Colar  
Niet Kleven



Cut away  
Couper  
Scheiden  
Cortar  
Tagliere  
Cortar  
Snijden



Optional parts  
Choix  
Auswahlmoglichkeit  
Eleccion  
Scelta  
Opaco  
Keuze



Repeat operation  
RZpeeter l' opzration  
Vorgang wiederholen  
Repitir la operacion  
Ripetere  
Repitir a operao  
Herhalen

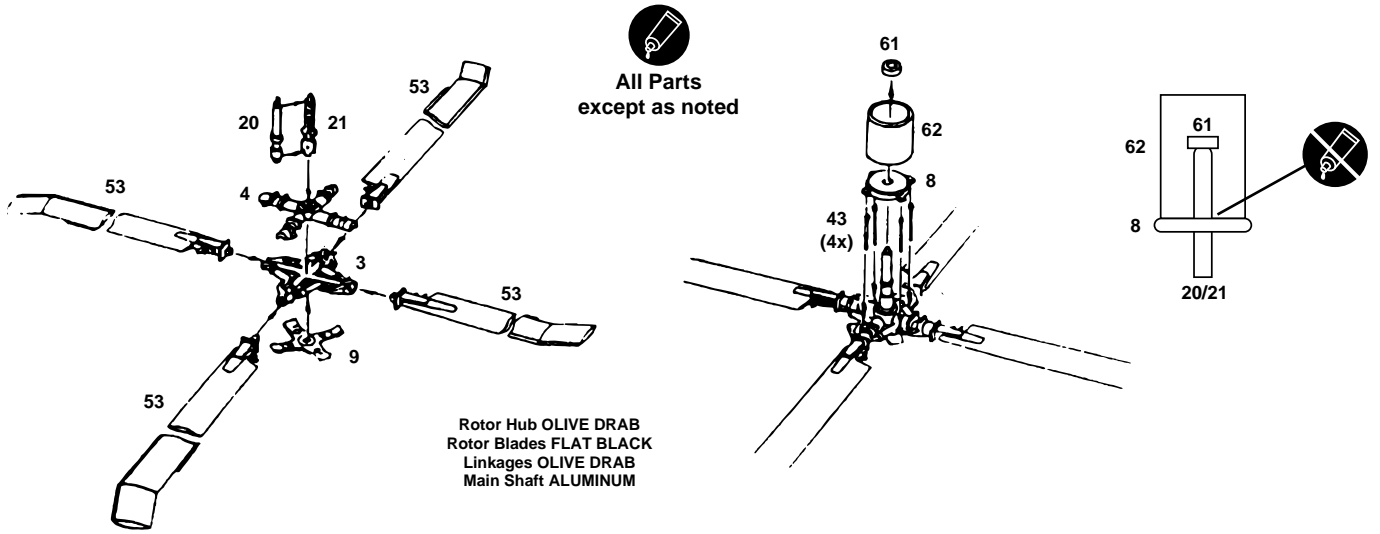


Symmetrical assembly

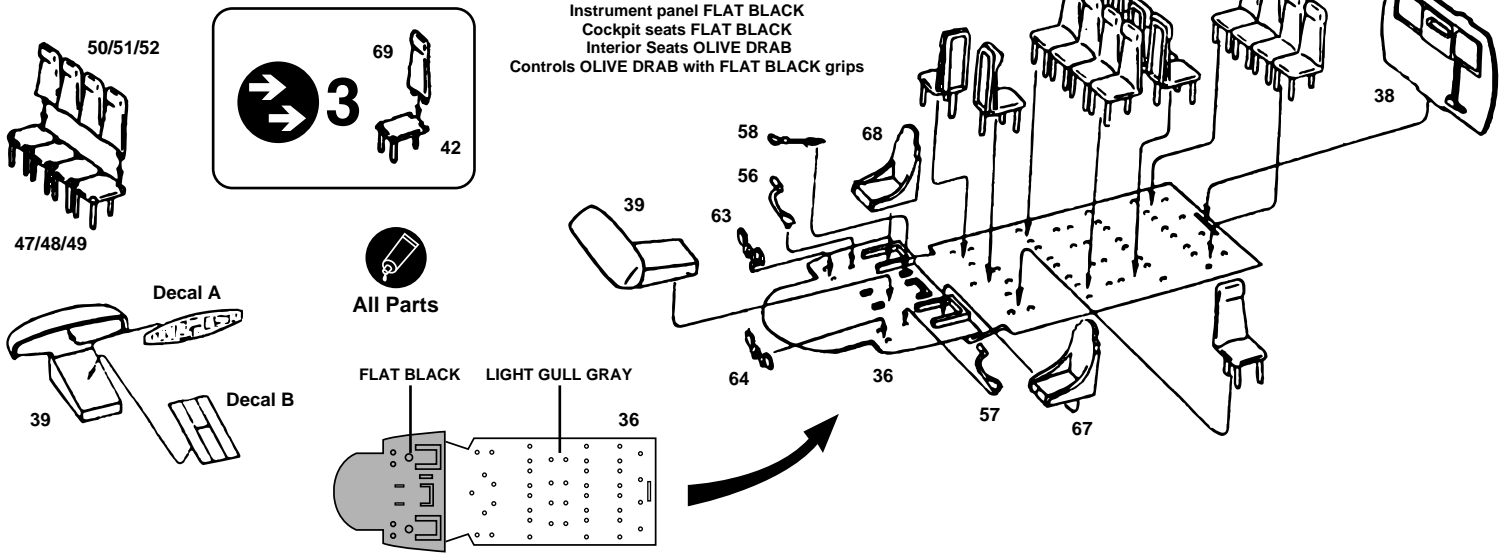


Drill hole

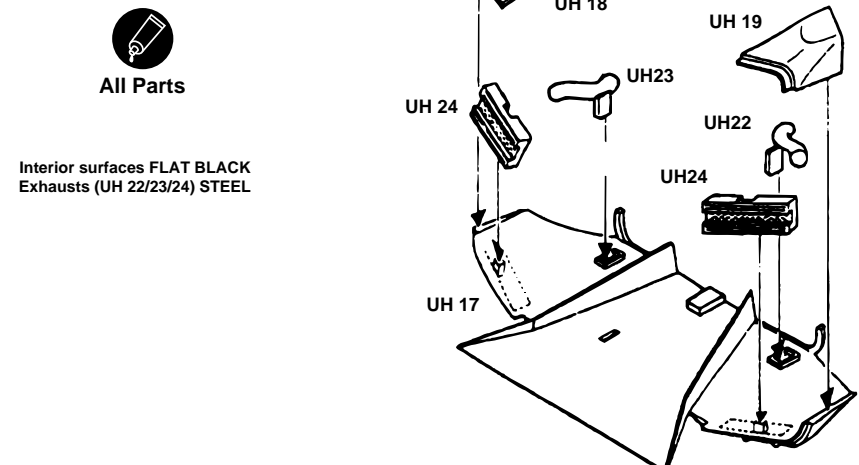
# 1 MAIN ROTOR



# 2 COCKPIT / INTERIOR

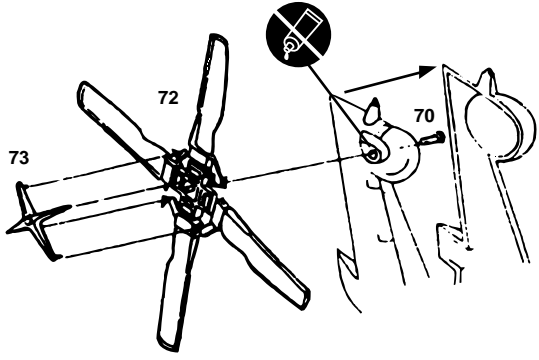


# 3 EXHAUST ASSEMBLY

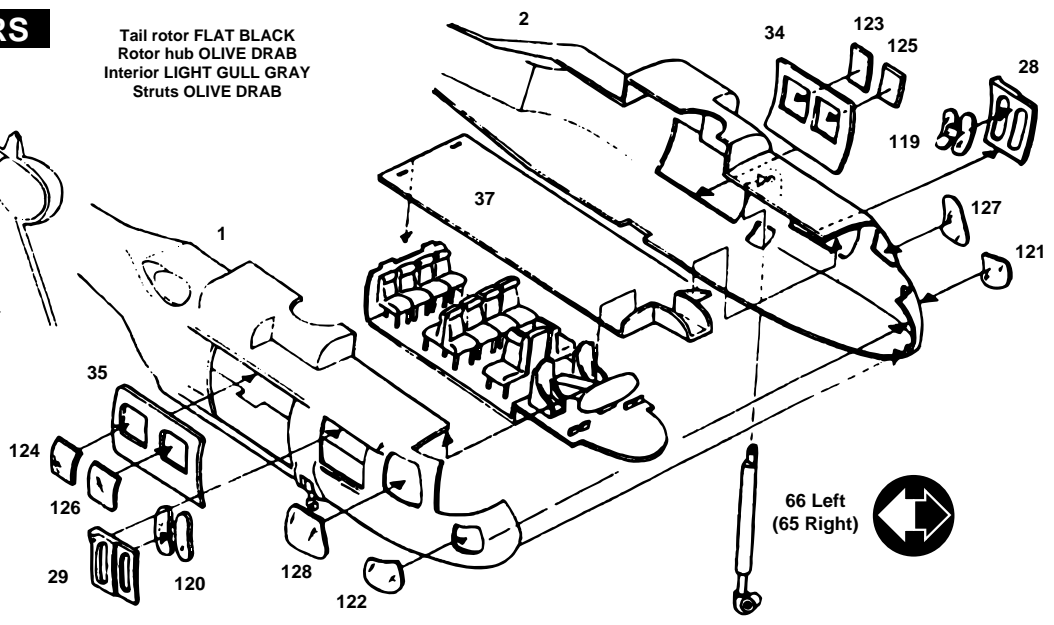


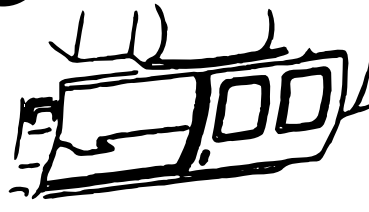
# 4 TAIL ROTOR AND DOORS

Tail rotor **FLAT BLACK**  
 Rotor hub **OLIVE DRAB**  
 Interior **LIGHT GULL GRAY**  
 Struts **OLIVE DRAB**



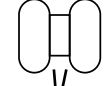

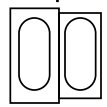
 All Parts except as noted





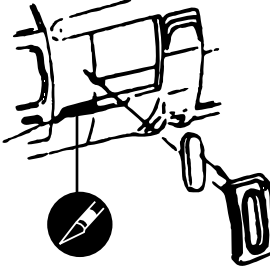

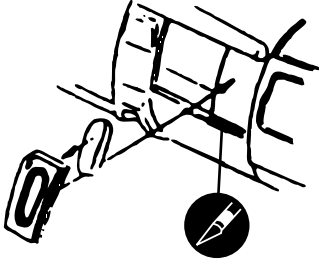

Open side doors

119/120

28/29

Open side windows

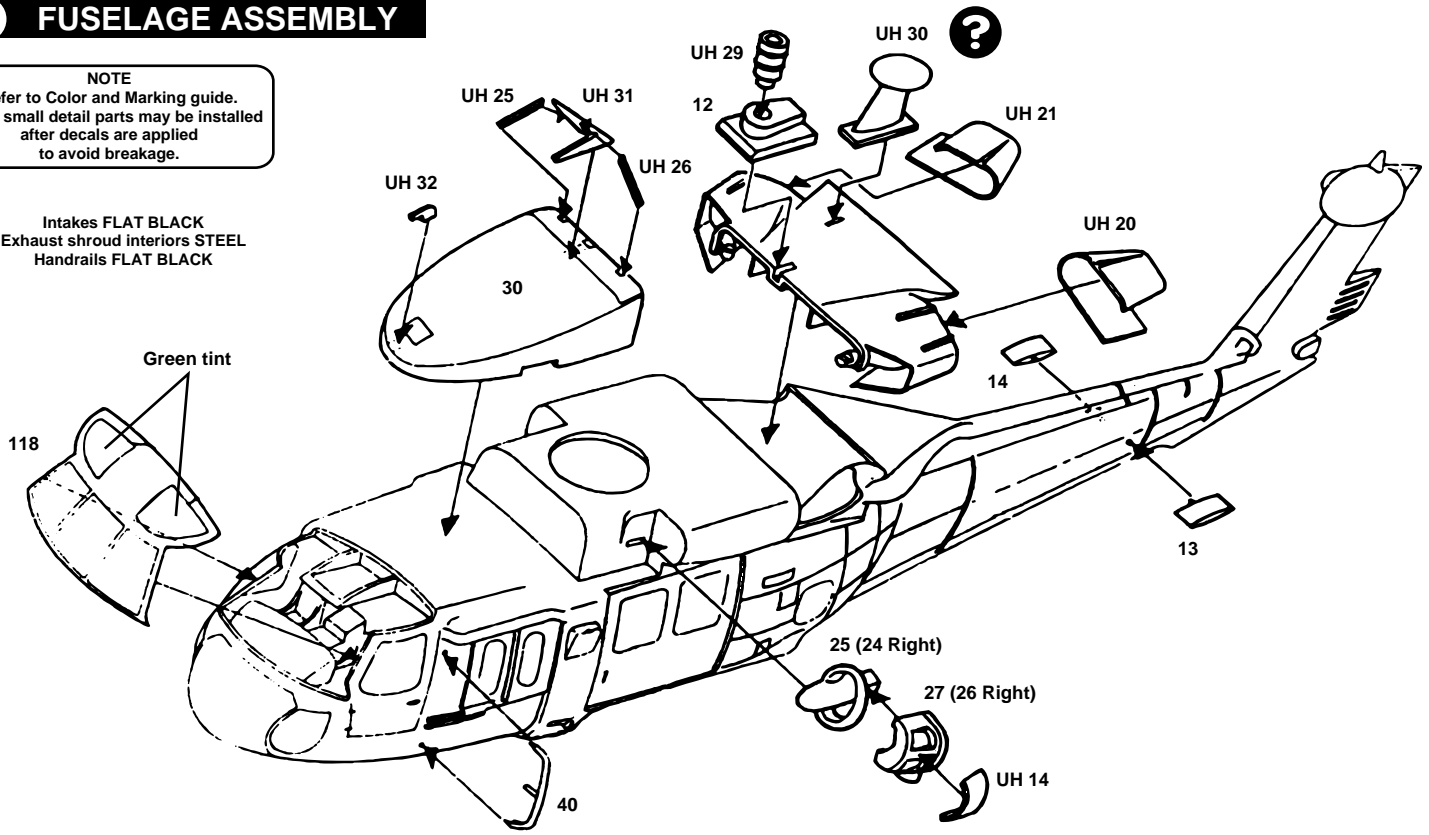





# 5 FUSELAGE ASSEMBLY

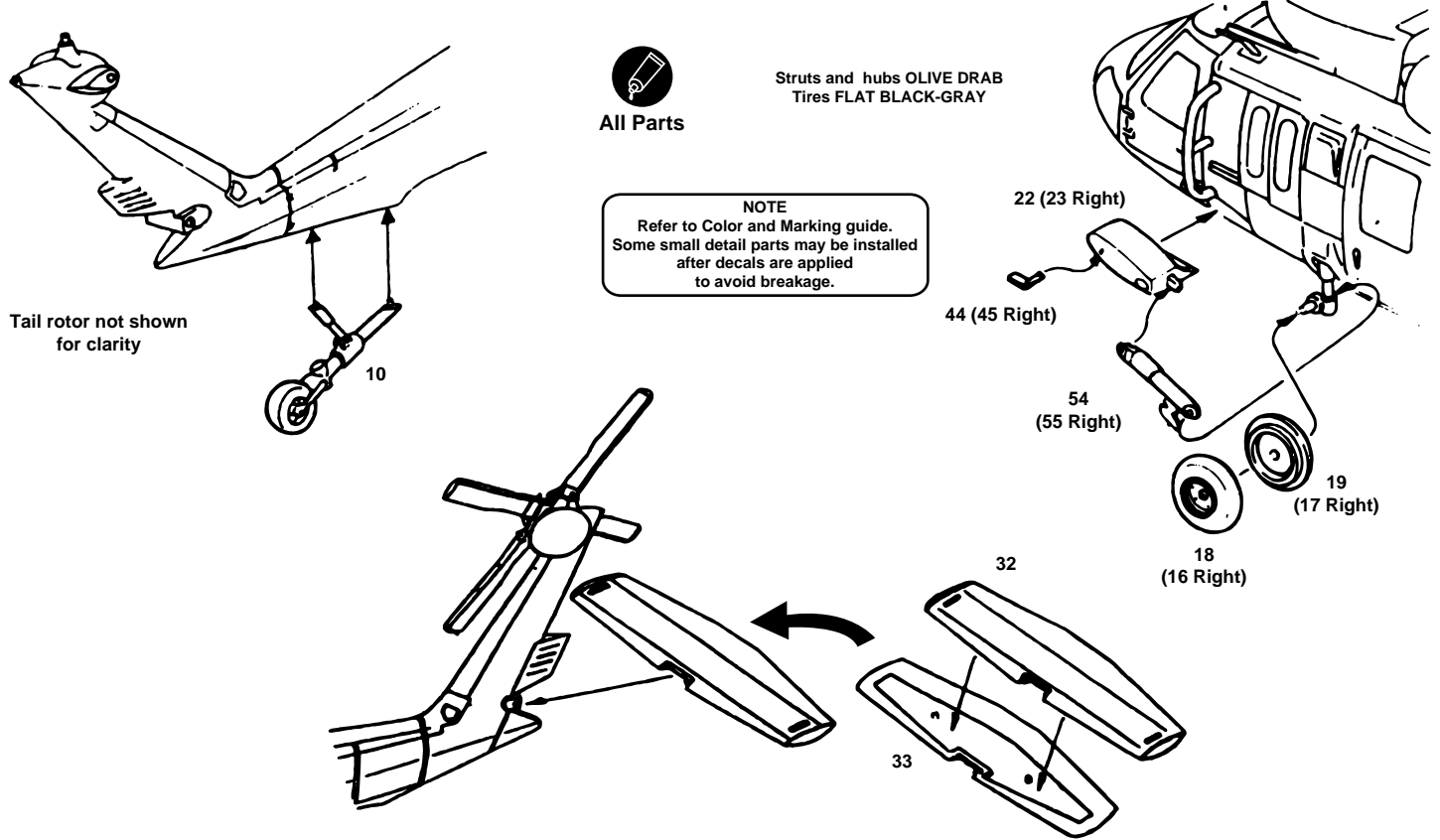
**NOTE**  
 Refer to Color and Marking guide.  
 Some small detail parts may be installed after decals are applied to avoid breakage.

Intakes **FLAT BLACK**  
 Exhaust shroud interiors **STEEL**  
 Handrails **FLAT BLACK**

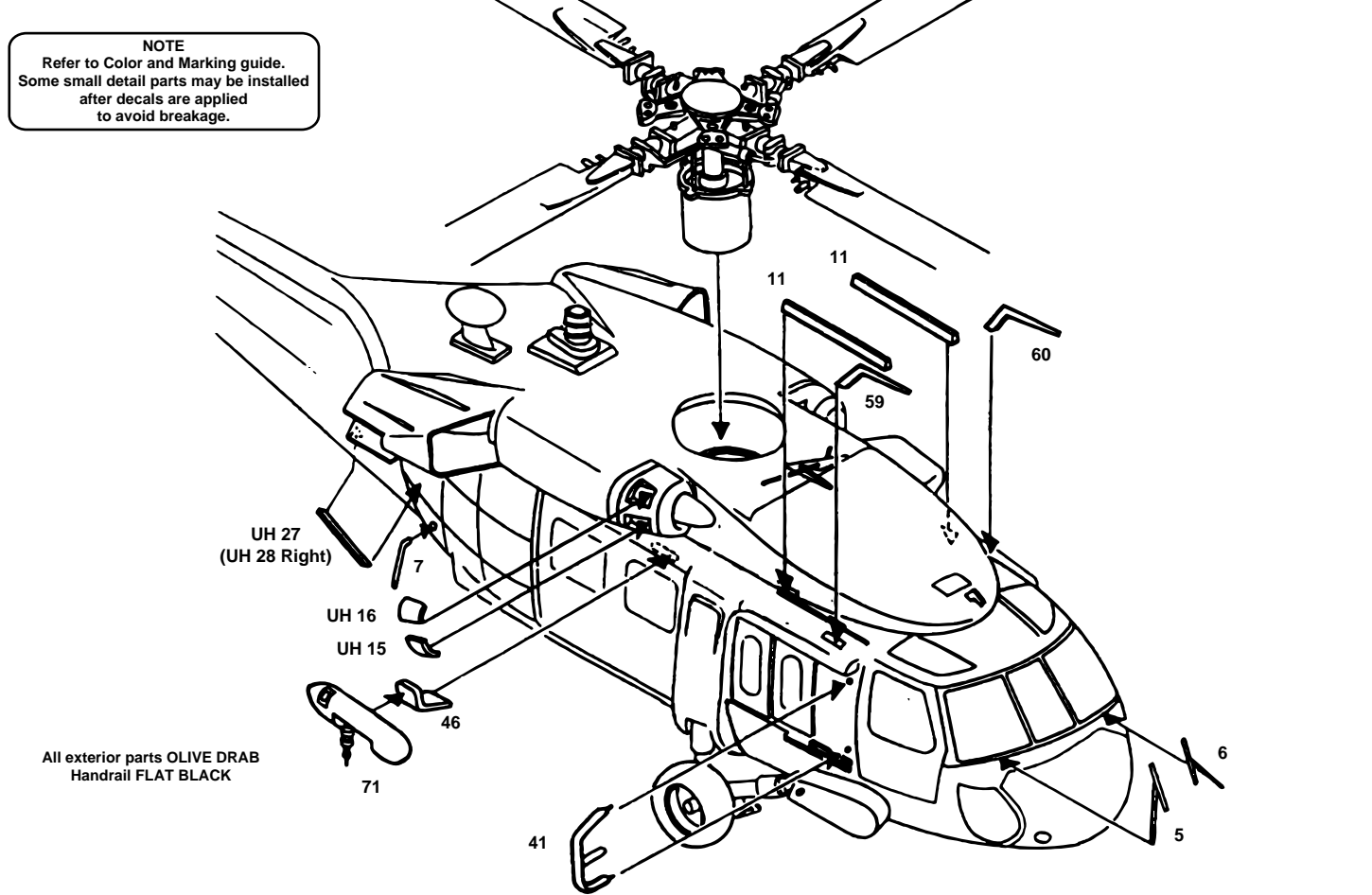
Green tint



## 6 STABILIZER AND LANDING GEAR

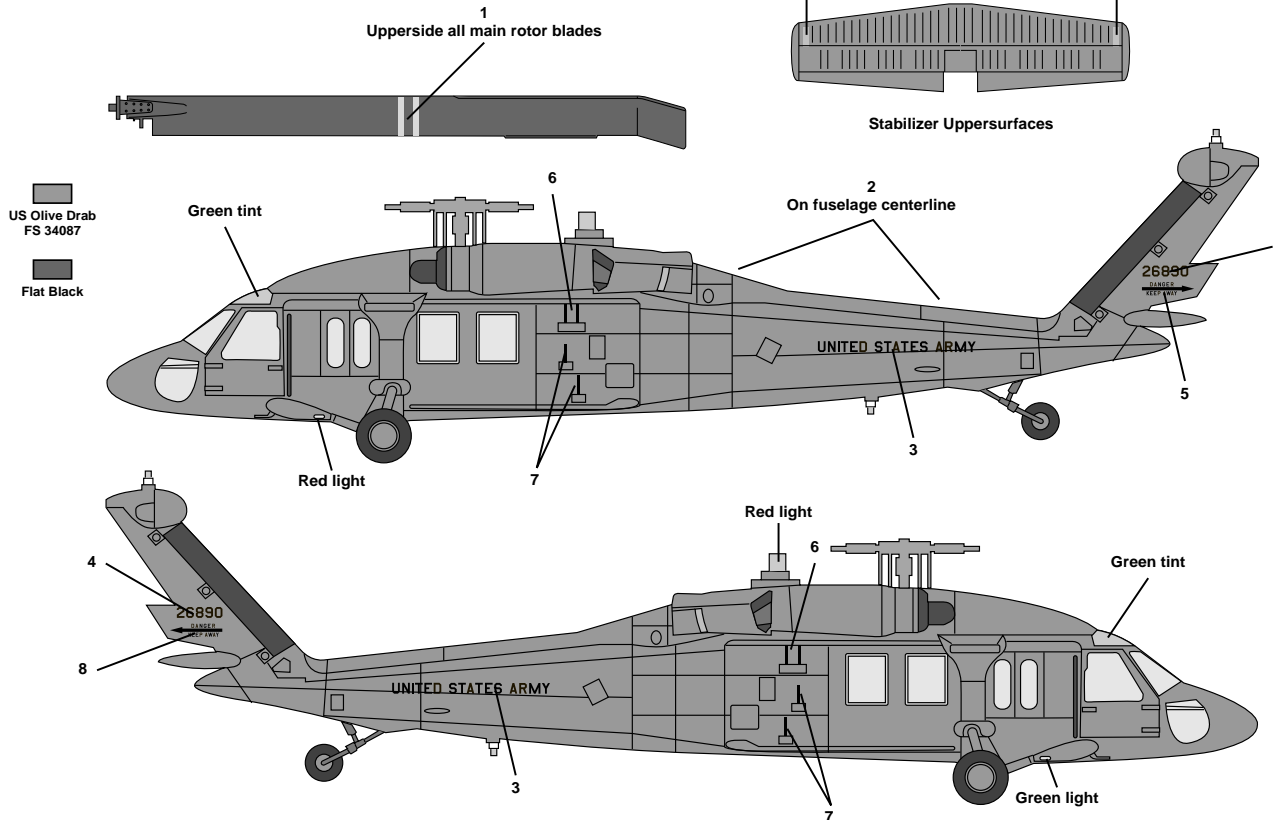


## 7 FINAL ASSEMBLY

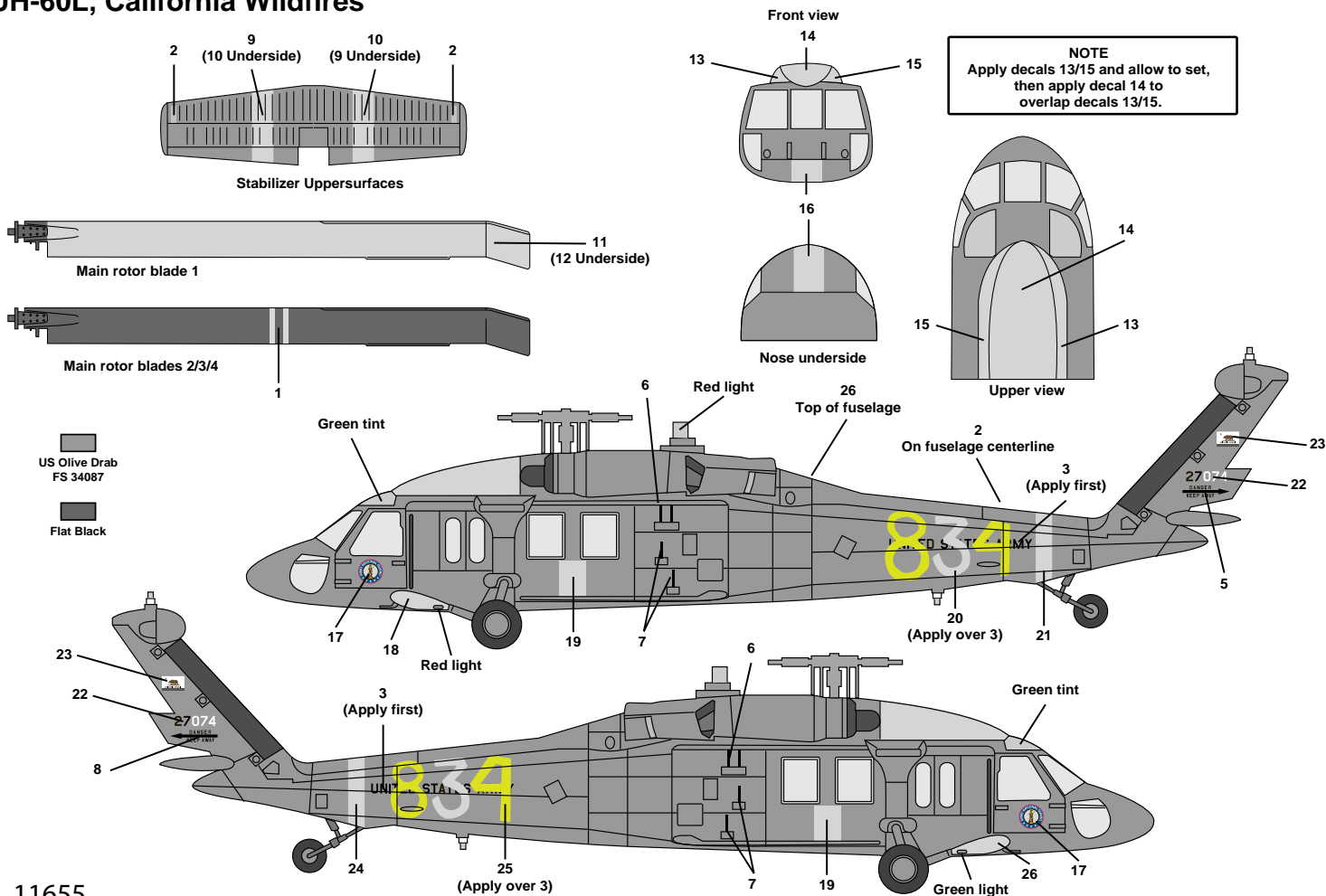


# PAINT & DECAL GUIDE

## UH-60L, Hurricane Katrina



## UH-60L, California Wildfires



**NOTE**  
Apply decals 13/15 and allow to set, then apply decal 14 to overlap decals 13/15.

Your Minicraft model includes high-quality waterslide decals. These decals adhere best to a glossy surface; and it is recommended that you apply a clear gloss coat over your painted model.

Use a sharp scissors or knife to cut individual decals from the carrier sheet. Do not cut into the clear film surrounding the individual decals.

\* It is recommended that you apply one decal at a time.

\* Place the decal section in warm water, when first inserted in the water your decal will curl, after approximately ten seconds the decal will uncurl. Remove from water and lay on a paper towel. After approximately 10 - 20 seconds the decal will slide freely from the backing paper. Use a small brush to help slide the decal from the backing paper and into position on the model. Carefully blot excess water from the decal, using care not to move the decal or tear it.

\* If you choose to use a setting solution, apply a thin coat over the decal following the manufacturer's instruction.

\* Allow the decal to dry overnight. Wash any adhesive residue off the model with a small amount of clean water and dry thoroughly.

\* Apply clear gloss, matte or flat coat to seal decals following the instructions from the manufacturer.



*Legends in the making™*

Visit our Website-  
[www.minicraftmodels.com](http://www.minicraftmodels.com)

Minicraft Models  
1501 Commerce Drive  
Elgin, IL 60123

Phone: 847-429-9676