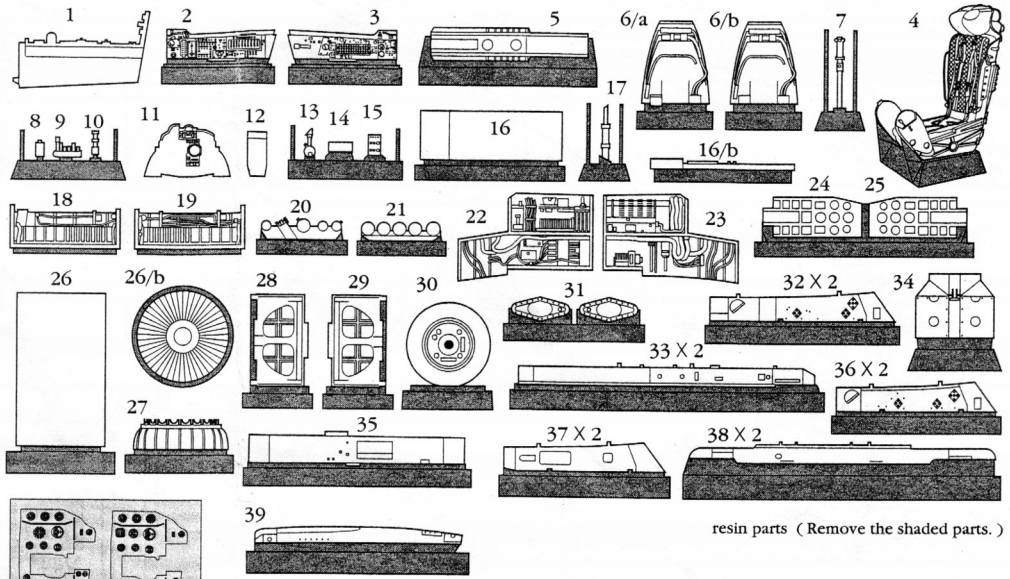




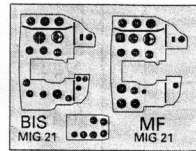
MIKOYAN MIG 21 MF/BIS 1/48 DETAIL SET

RECOMMENDED FOR ACADEMY KIT

Resin and photo-etched accessories can be glued with cyano-acrylate glues. Avoid inhaling the fumes, for they can be harmful.

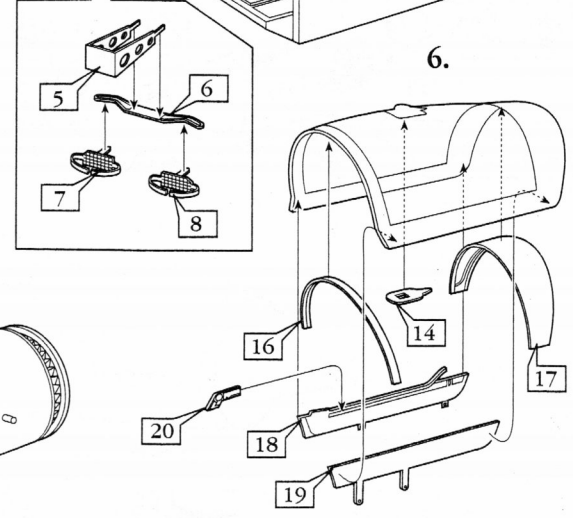
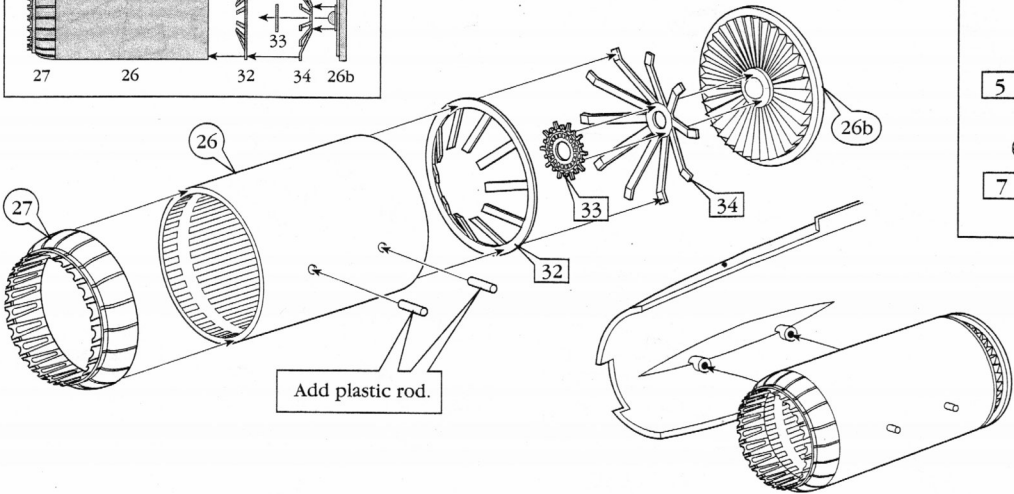
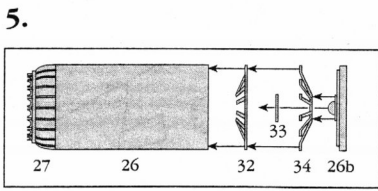
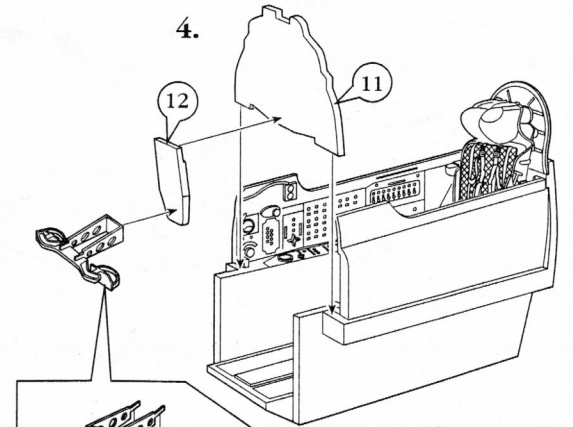
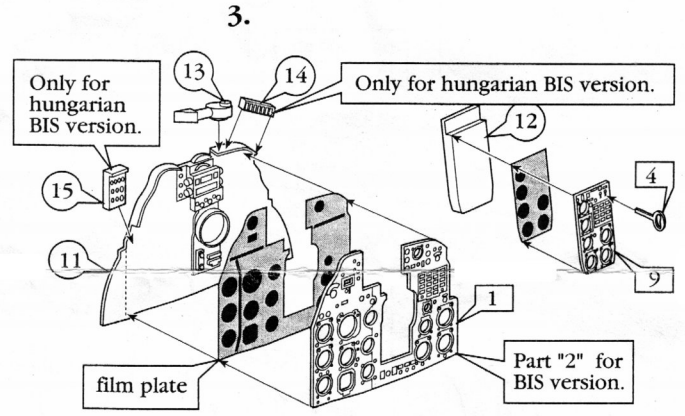
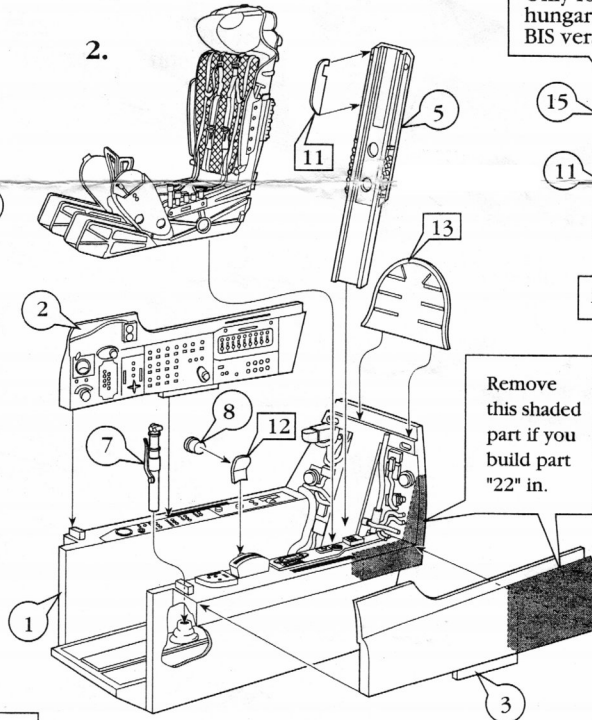
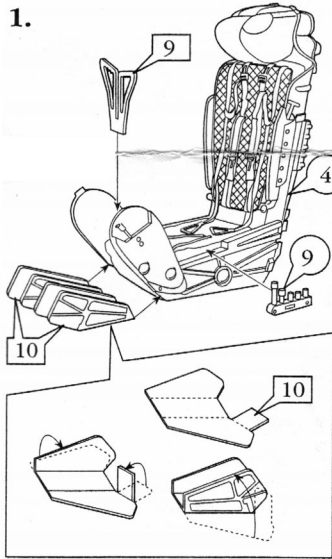


resin parts (Remove the shaded parts.)

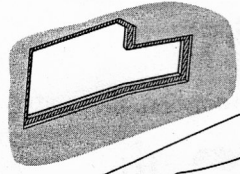


film plate

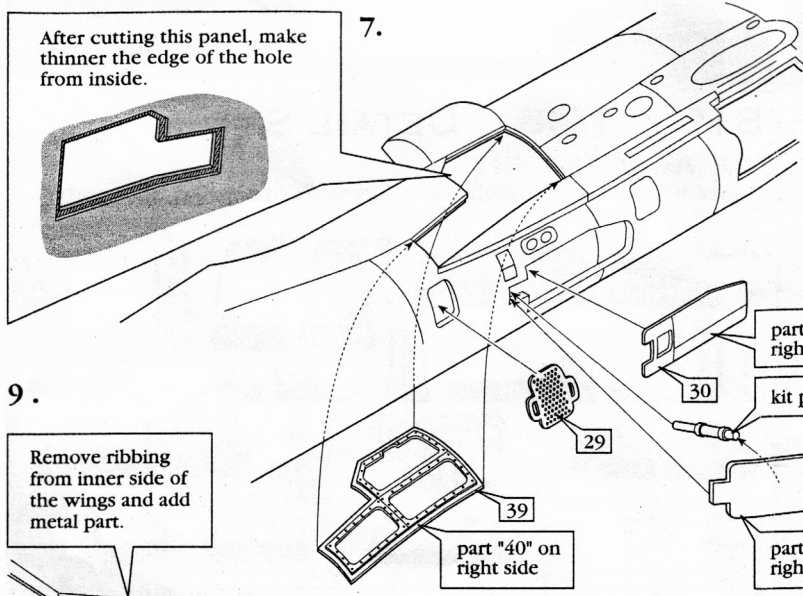
photo etched parts (part "8" isn't needed)



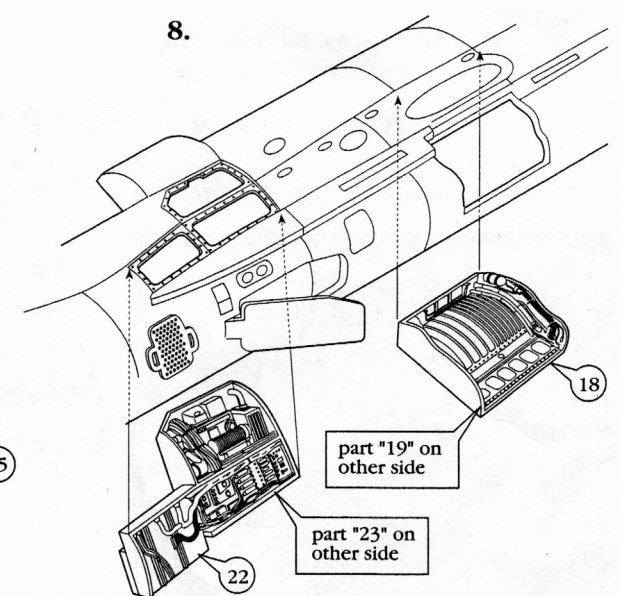
After cutting this panel, make thinner the edge of the hole from inside.



7.

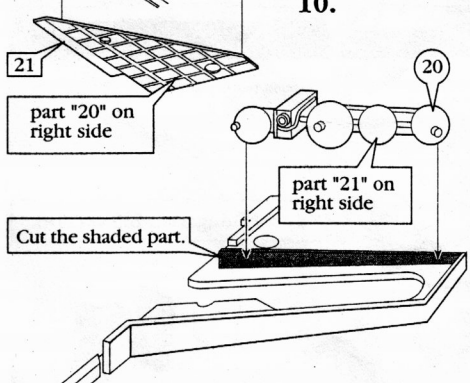
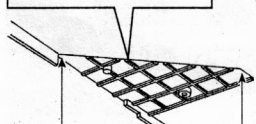


8.

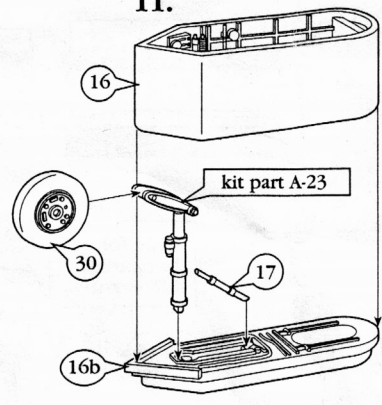


9.

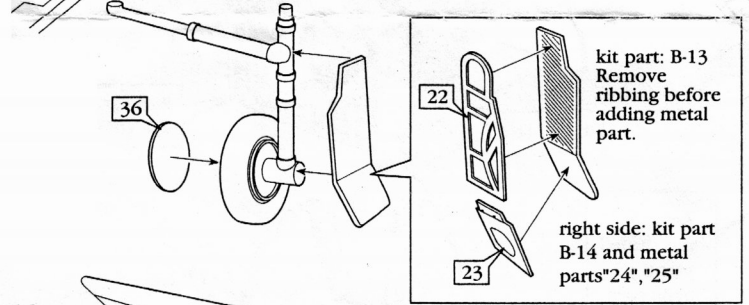
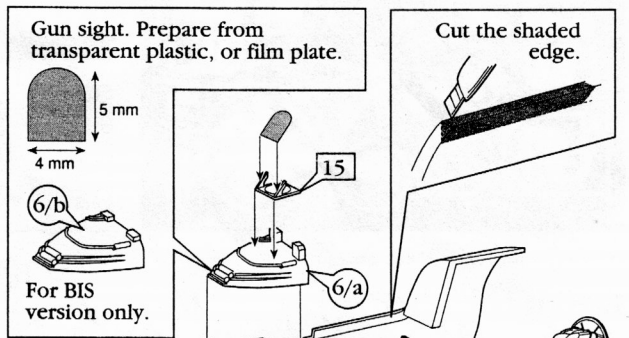
Remove ribbing from inner side of the wings and add metal part.



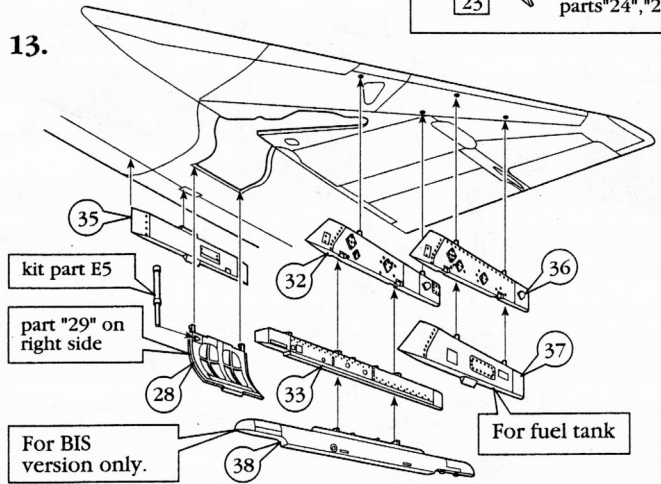
11.



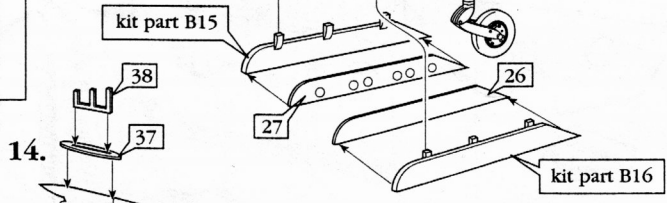
12.



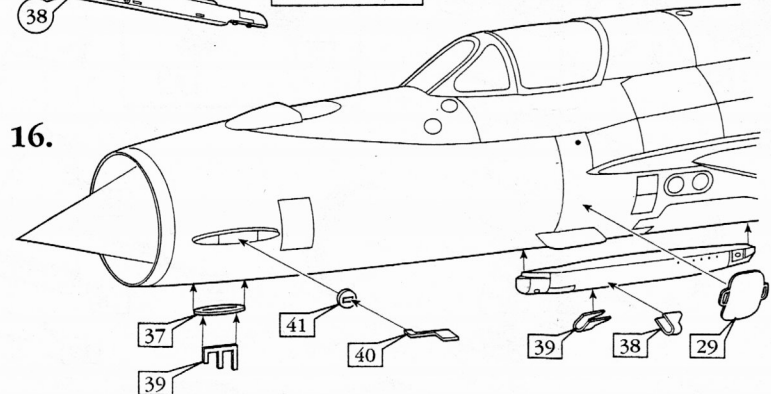
13.



14.



16.



15.

