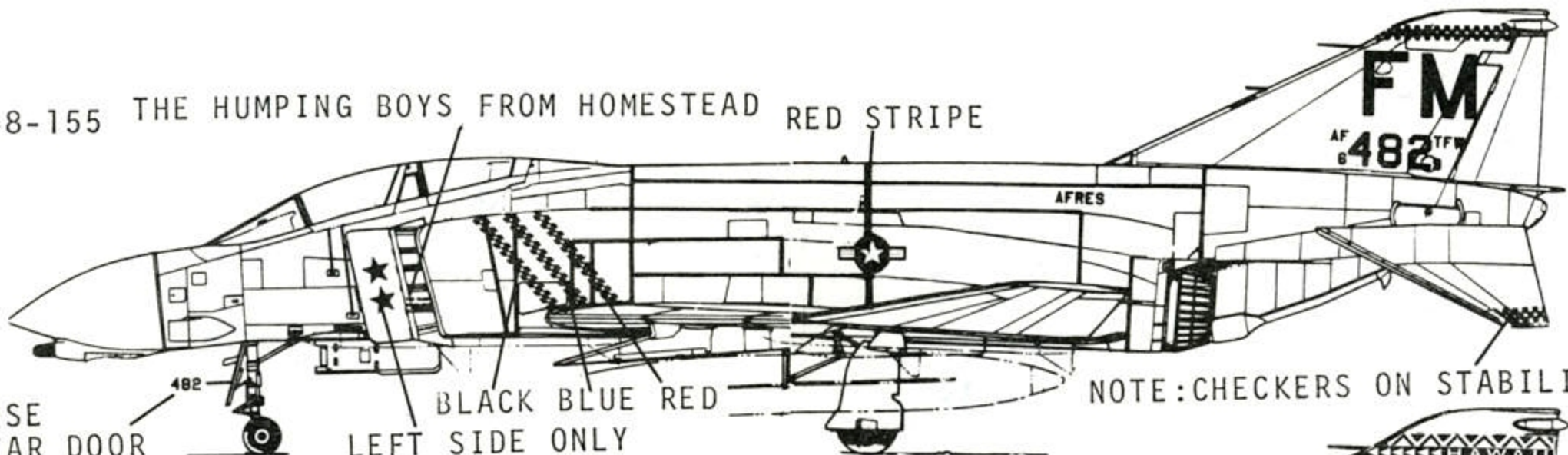


48-155 THE HUMPING BOYS FROM HOMESTEAD RED STRIPE

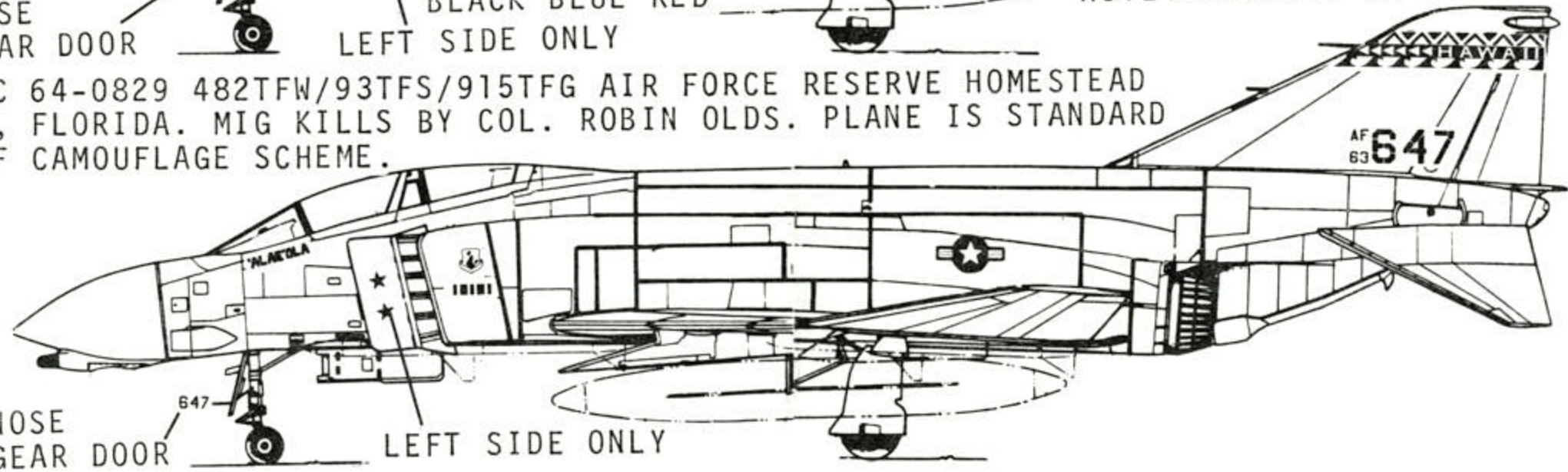


NOSE GEAR DOOR

BLACK BLUE RED LEFT SIDE ONLY

NOTE: CHECKERS ON STABILIZERS

F-4C 64-0829 482TFW/93TFS/915TFG AIR FORCE RESERVE HOMESTEAD AFB, FLORIDA. MIG KILLS BY COL. ROBIN OLDS. PLANE IS STANDARD USAF CAMOUFLAGE SCHEME.



NOSE GEAR DOOR

BLACK BLUE RED LEFT SIDE ONLY

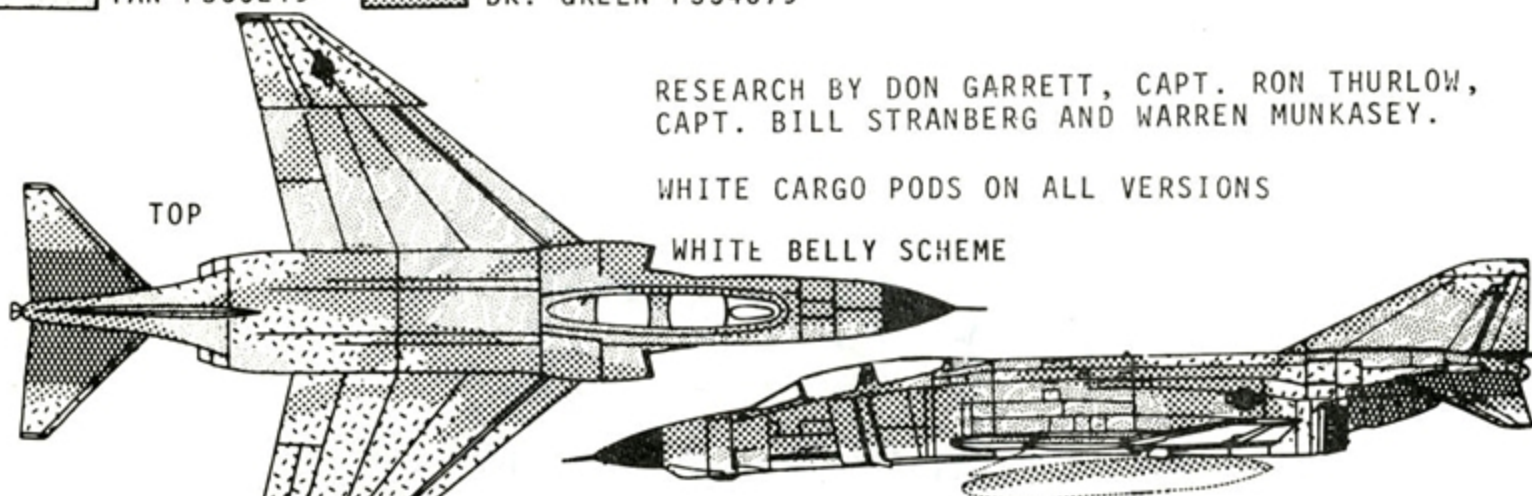
F-4C 63-647 199TFS/154FIG HAWAII ANG HICKAM AFB, HAWAII. PLANE IS STANDARD USAF CAMOUFLAGE SCHEME.

CAMOUFLAGE VIEWS ARE SHOWN ONLY FOR PAINTING PURPOSE  
 THEY ARE NOT NECESSARILY THE F-4 VERSION ON THIS SHEET.

- GRAY FS36622
- GREEN FS34102
- BURNT METAL
- TAN FS30219
- DK. GREEN FS34079

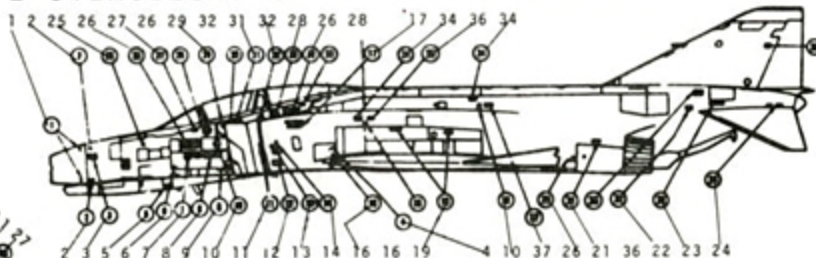
RESEARCH BY DON GARRETT, CAPT. RON THURLOW,  
 CAPT. BILL STRANBERG AND WARREN MUNKASEY.

WHITE CARGO PODS ON ALL VERSIONS  
 WHITE BELLY SCHEME

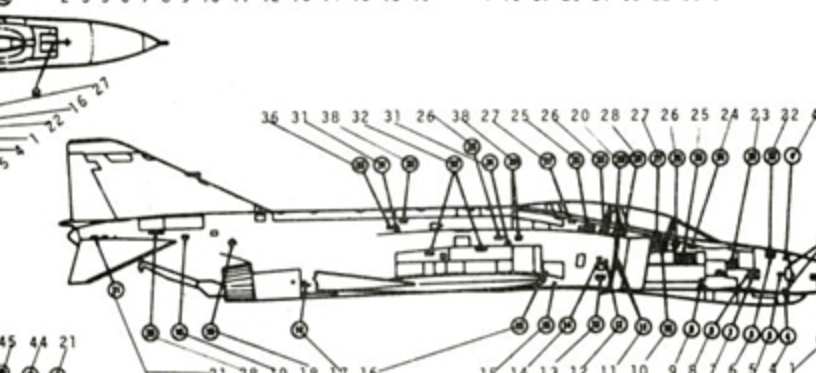


THIS IS AN AVERAGE REPRESENTATIVE OF MARKINGS  
 TO BE FOUND ON THESE AIRCRAFTS. SHOULD YOU WISH TO  
 FINISH YOUR MODEL WITH ALL OF THE FACTORY STENCILING  
 AND INCLUDING ACCESS DOOR MARKINGS YOU MUST BUY  
 48-76 WHITE STENCILING 48-67 BLACK STENCILING

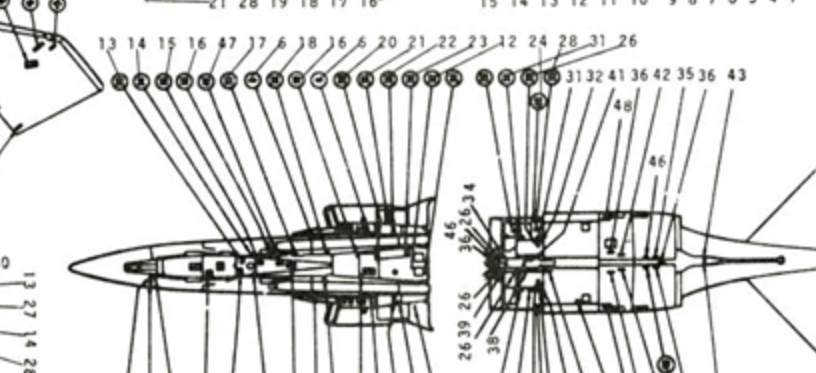
FUSELAGE TOP



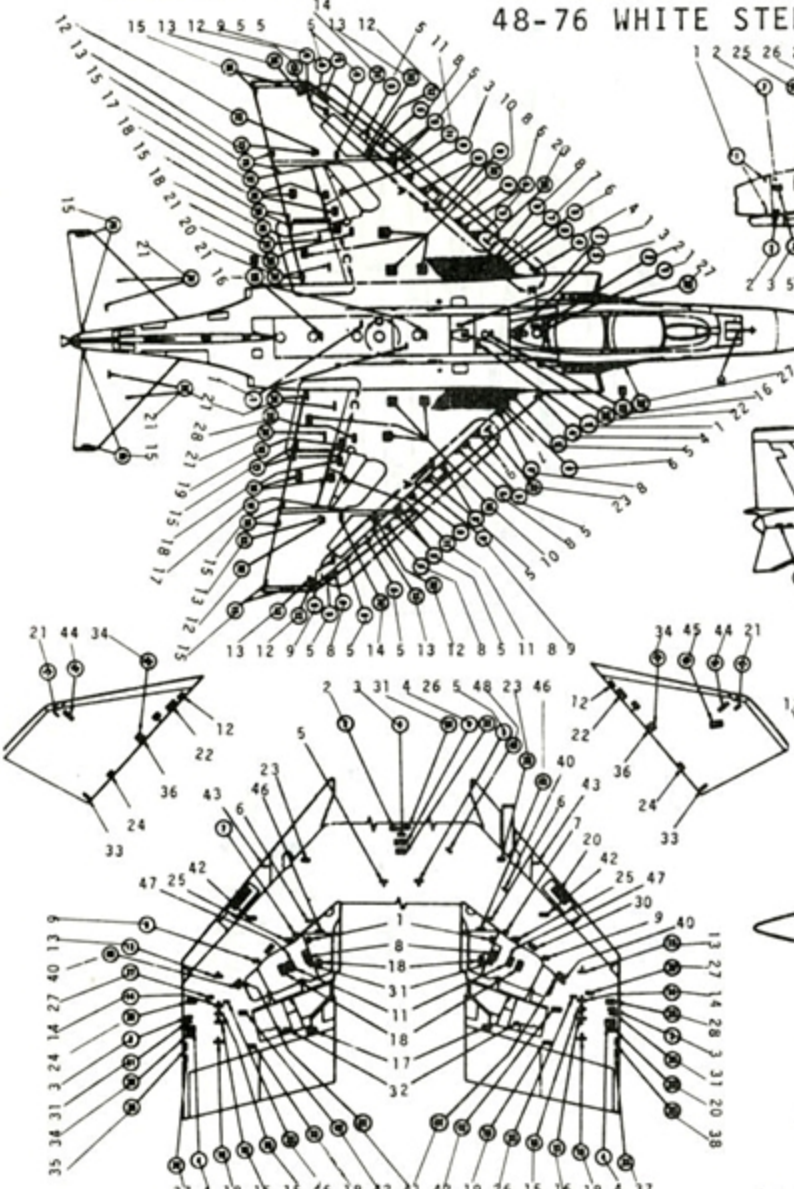
FUSELAGE LEFT SIDE



FUSELAGE RIGHT SIDE



FUSELAGE BOTTOM



BOTTOM WINGS

ALL MARKINGS SHOWN HERE ARE NOT ON THE  
 DECAL SHEET