

F4U-5N Corsair



The “bent wing bird” the powerful Corsair was first developed during WWII but remained a first line operational fighter and fighter-bomber during the Korean War from 1950 to 1953.

The new Minicraft 1/48 scale Corsair kit features recessed panel lines, detailed interior, under-wing armament including bombs and rockets and new markings for VMF(N)-513 Marine Corps Night Fighter Squadron during Korean War deployment.

Markings included with this kit are:

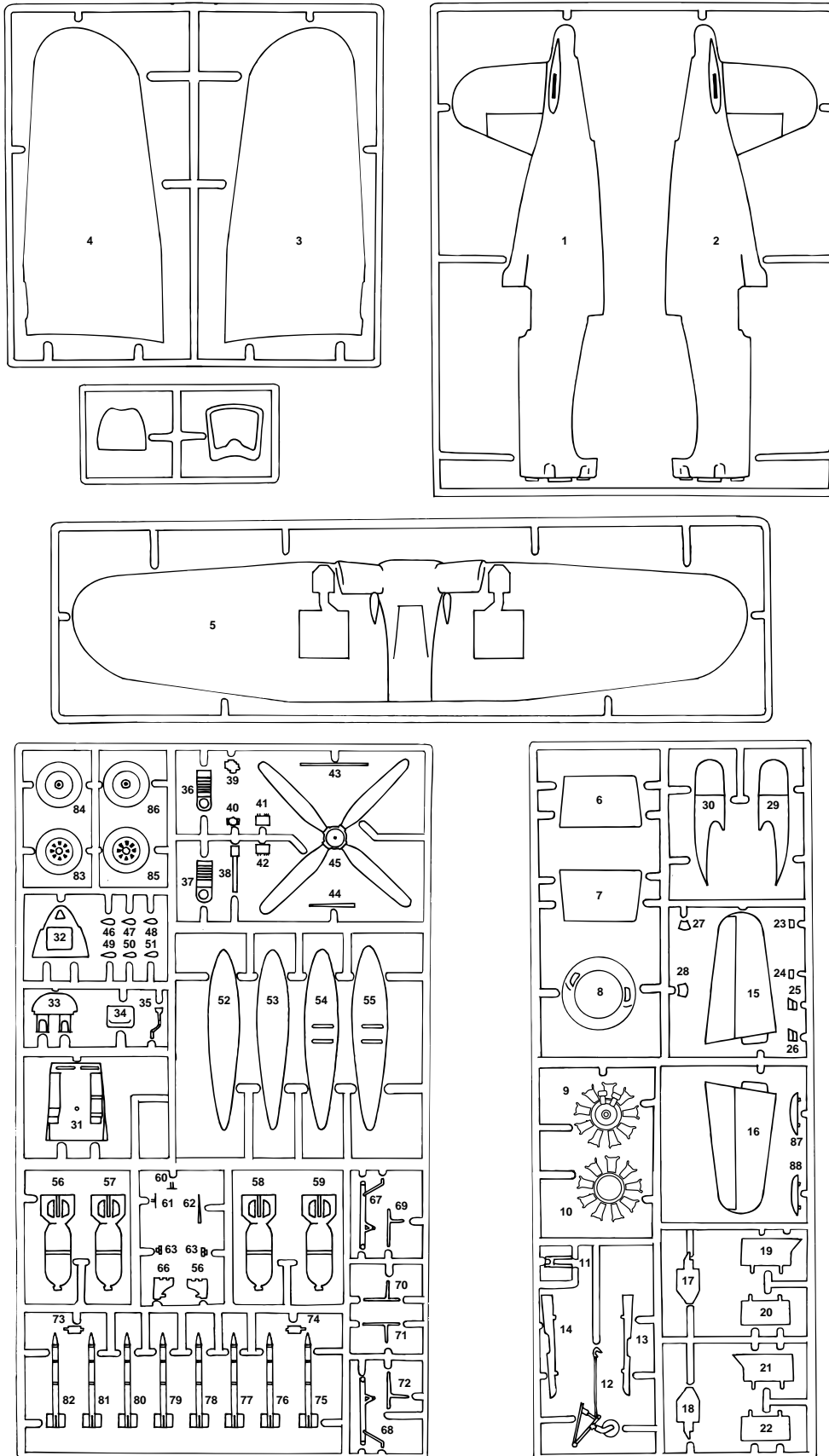
- U.S. Marines, F4U-5N, VMF(N)-513, Pusan (K-1), Korea, summer 1951
- U.S. Marines, F4U-5N, VMF(N)-513, Kangnung (K-18), Korea, June 1951

Minicraft Models, 1501 Commerce Drive, Elgin IL 60123 USA
www.minicraftmodels.com

Printed in China

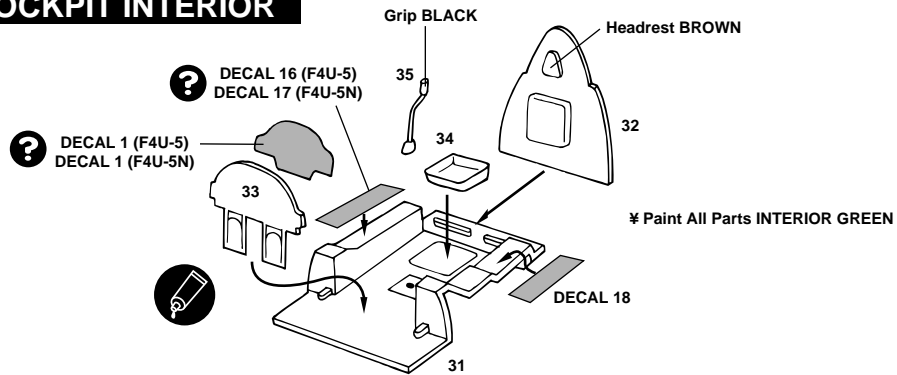
11653

PARTS LOCATING DIAGRAM

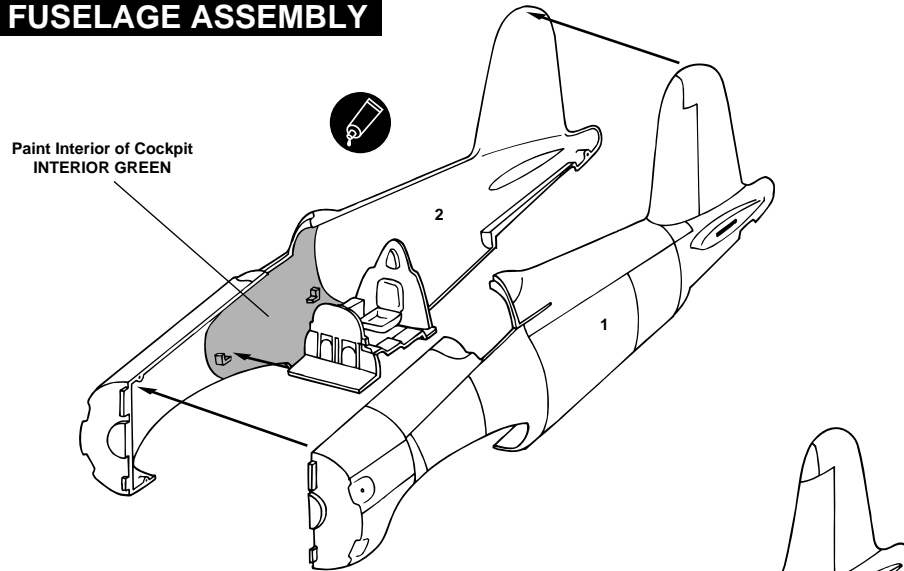




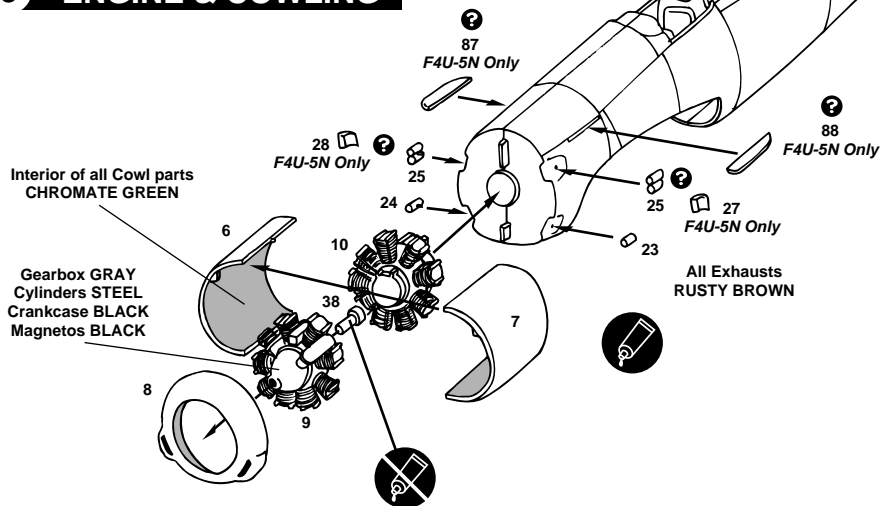
1 COCKPIT INTERIOR



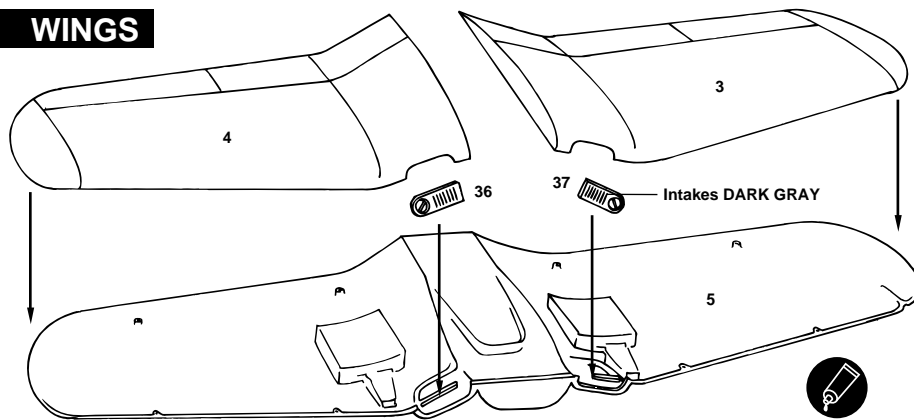
2 FUSELAGE ASSEMBLY



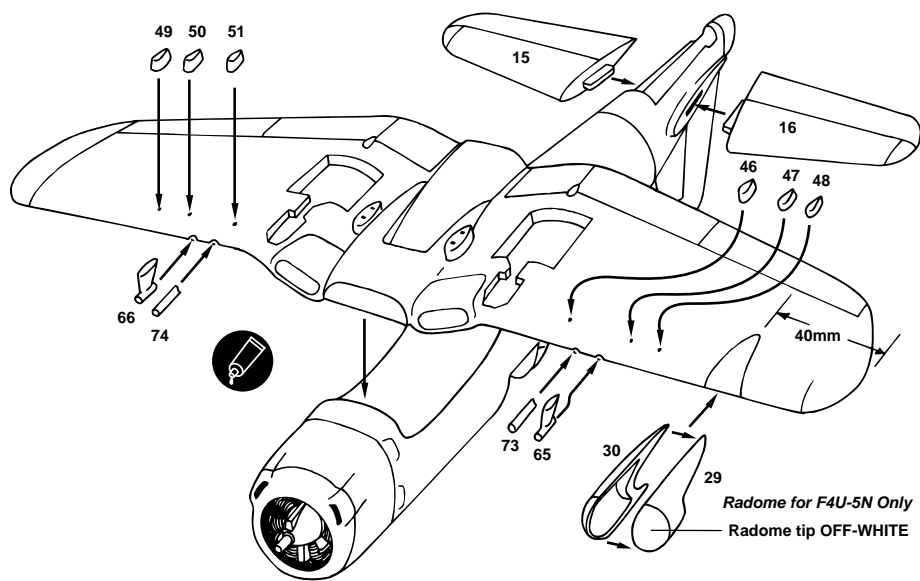
3 ENGINE & COWLING



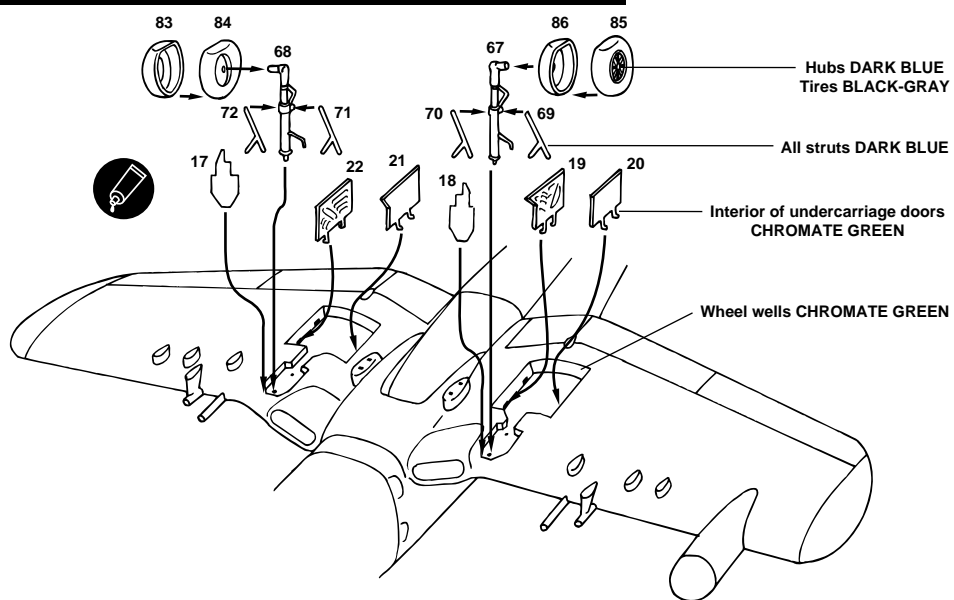
4 WINGS



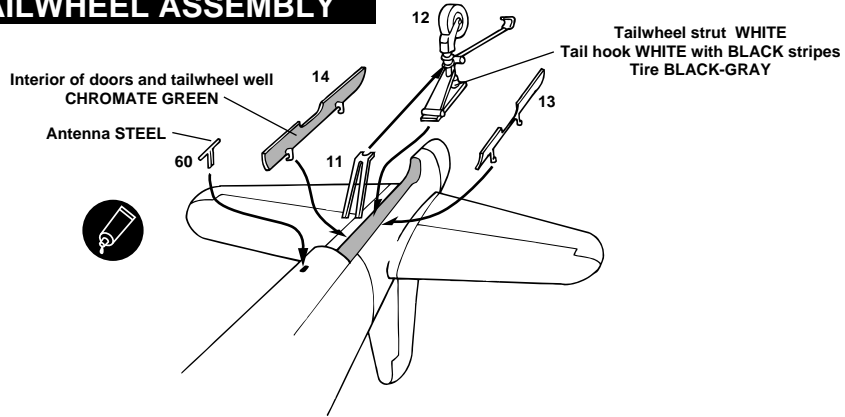
5 WINGS/FUSELAGE/STABILIZERS



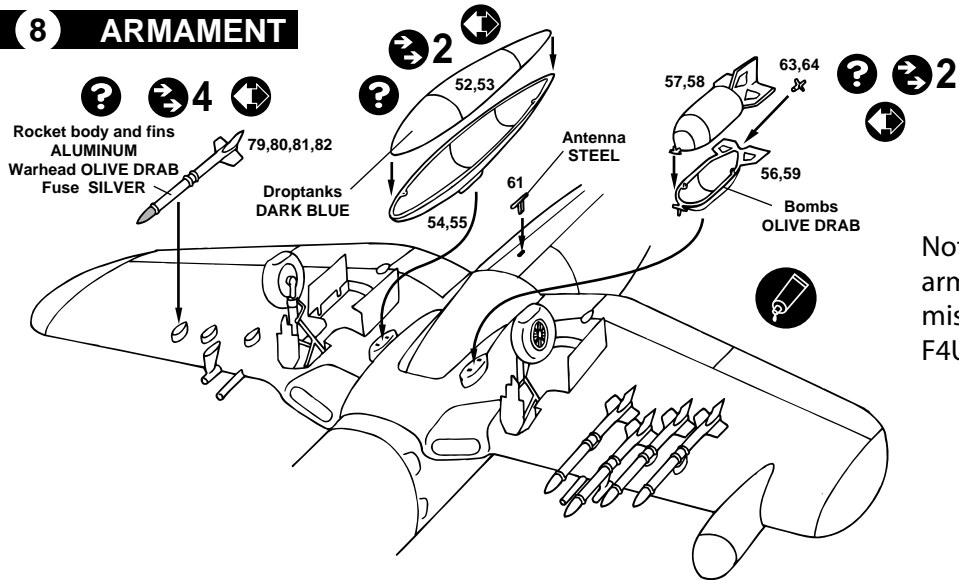
6 MAIN UNDERCARRIAGE



7 TAILWHEEL ASSEMBLY

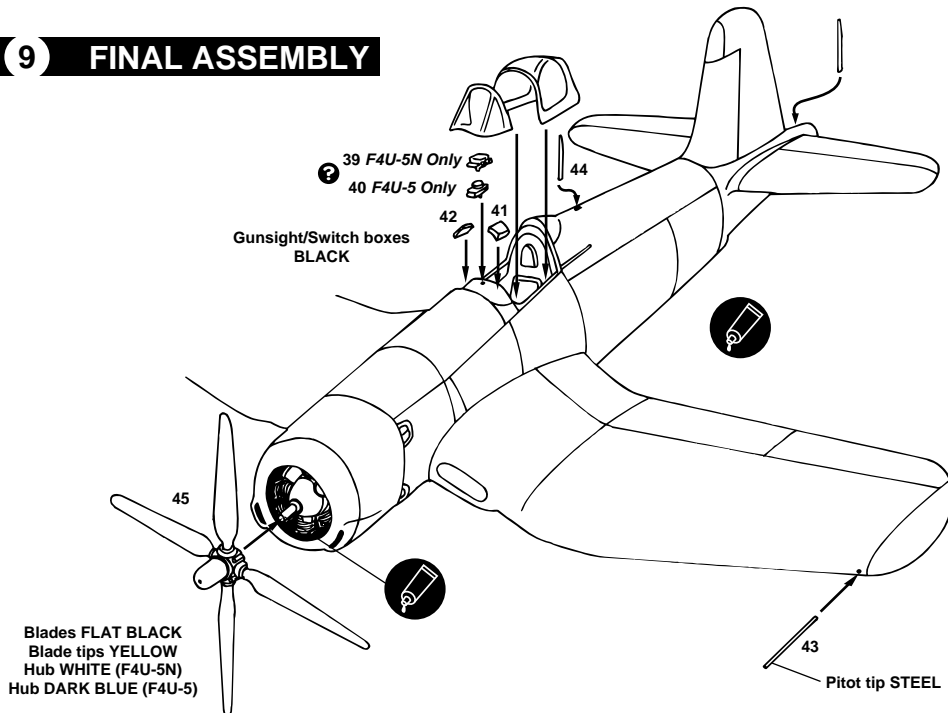


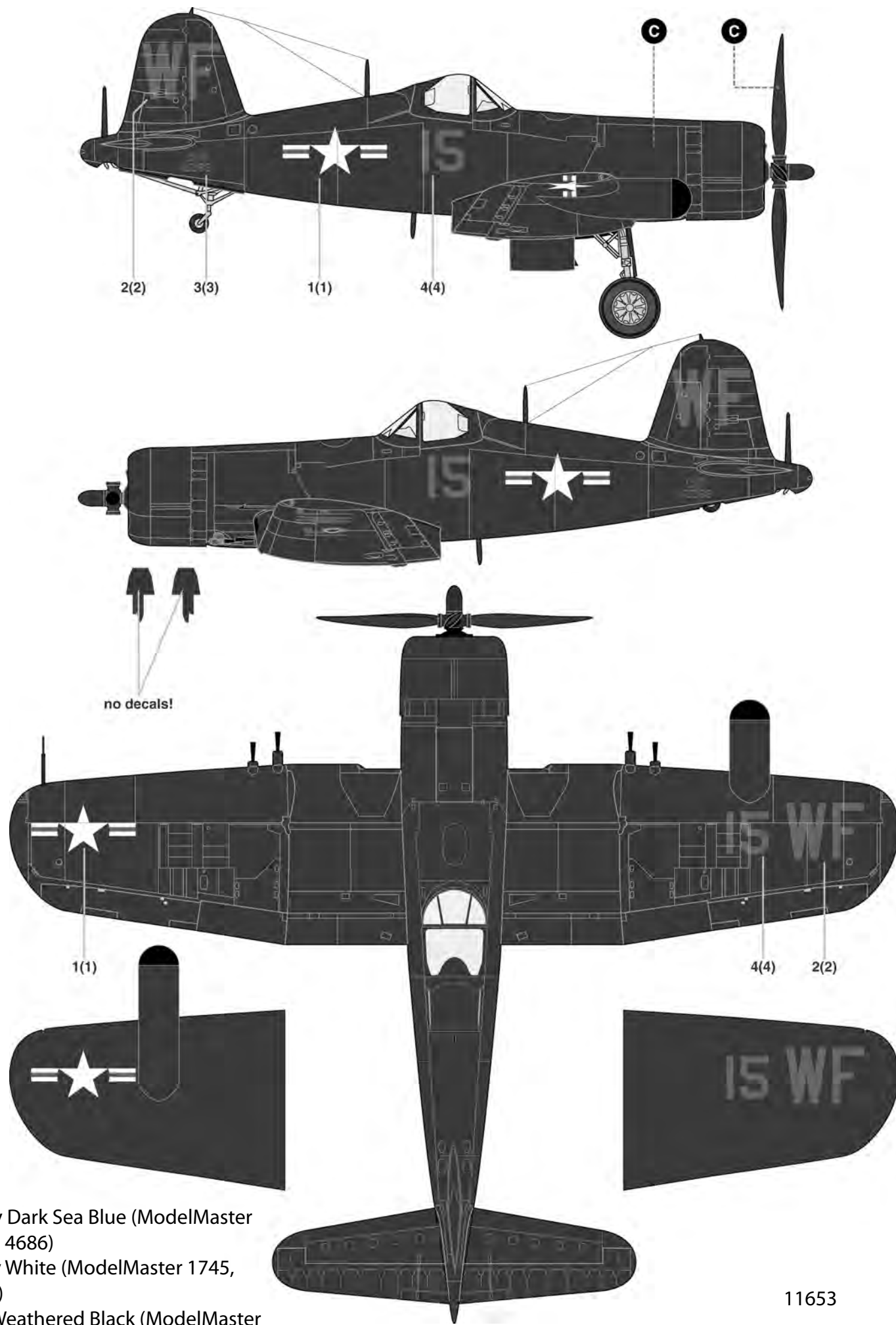
8 ARMAMENT



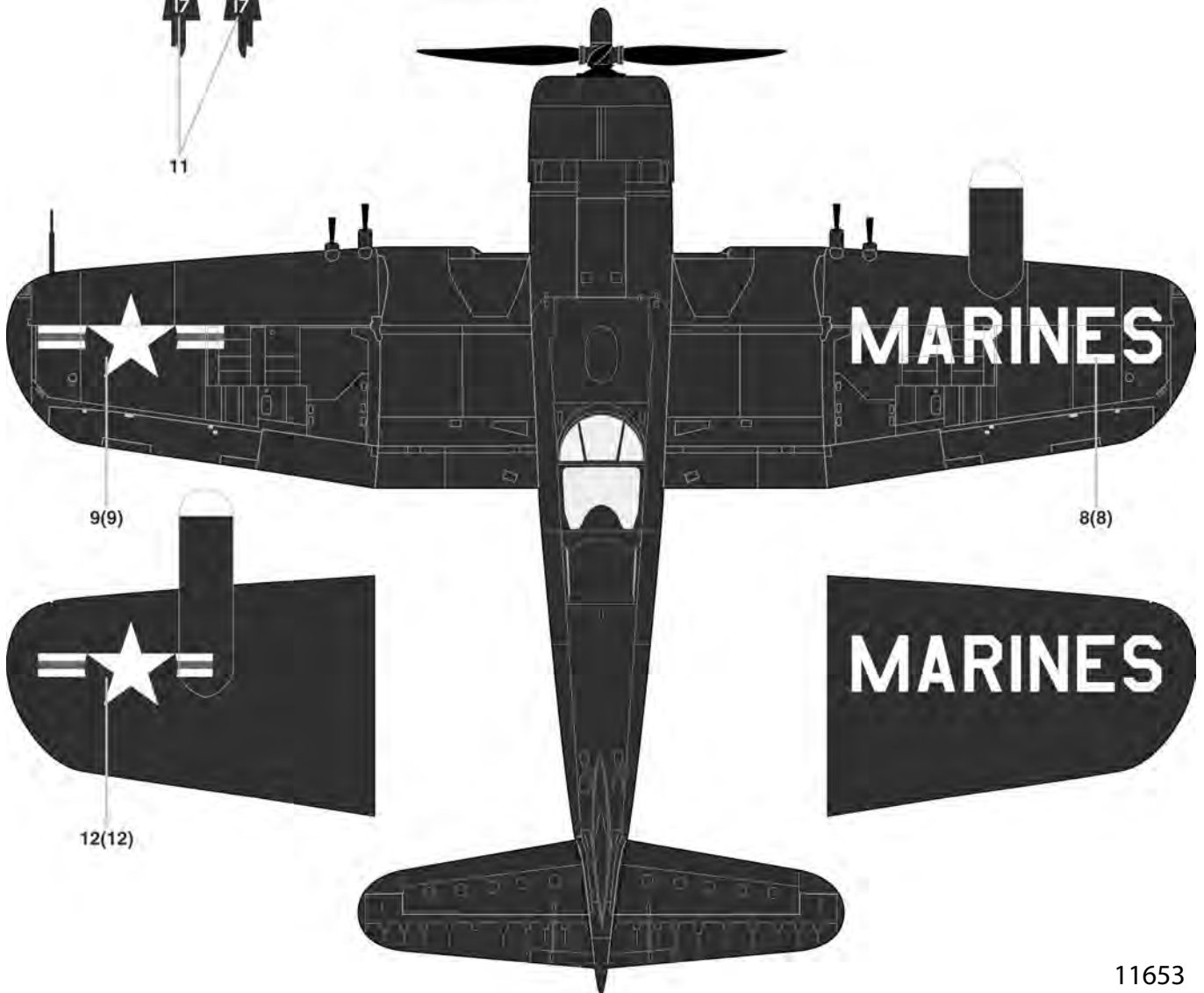
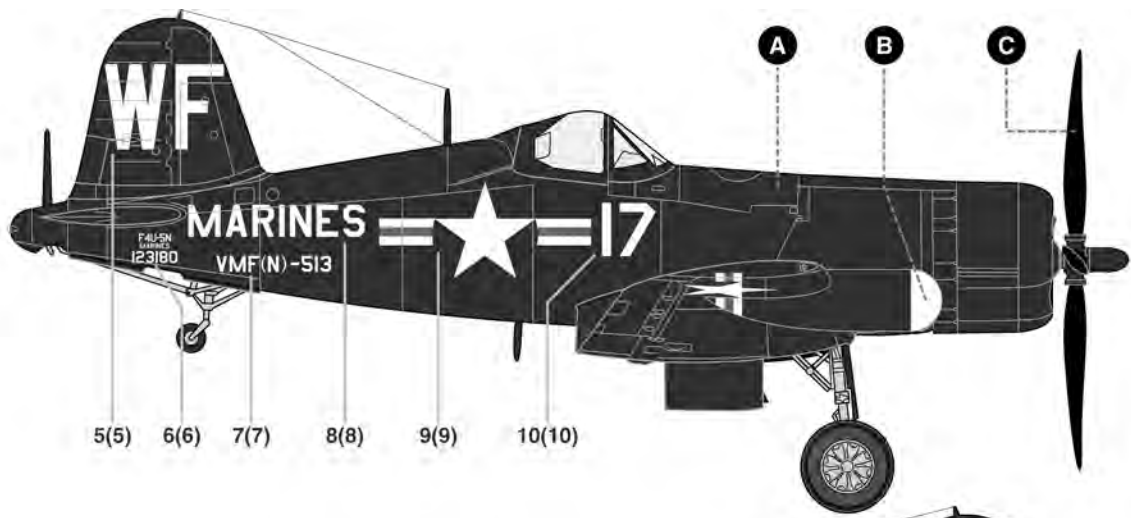
Note: Under-wing armament bombs and missiles were rarely used on F4U-5N aircraft.

9 FINAL ASSEMBLY





PAINTS
 A U.S. Navy Dark Sea Blue (ModelMaster 1718, Acryl 4686)
 B U.S. Navy White (ModelMaster 1745, Acryl 4696)
 C Black & Weathered Black (ModelMaster



Your Minicraft model includes high-quality waterslide decals. These decals adhere best to a glossy surface; and it is recommended that you apply a clear gloss coat over your painted model.

Use a sharp scissors or knife to cut individual decals from the carrier sheet. Do not cut into the clear film surrounding the individual decals.

* It is recommended that you apply one decal at a time.

* Place the decal section in warm water, when first inserted in the water your decal will curl, after approximately ten seconds the decal will uncurl. Remove from water and lay on a paper towel. After approximately 10 - 20 seconds the decal will slide freely from the backing paper. Use a small brush to help slide the decal from the backing paper and into position on the model. Carefully blot excess water from the decal, using care not to move the decal or tear it.

* If you choose to use a setting solution, apply a thin coat over the decal following the manufacturer's instruction.

* Allow the decal to dry overnight. Wash any adhesive residue off the model with a small amount of clean water and dry thoroughly.

* Apply clear gloss, matte or flat coat to seal decals following the instructions from the manufacturer.



Legends in the making™

Visit our Website-
www.minicraftmodels.com

Minicraft Models
1501 Commerce Drive
Elgin, IL 60123

Phone: 847-429-9676