

**ACADEMY  
MINICRAFT**



---

## UH-60L BLACKHAWK

---

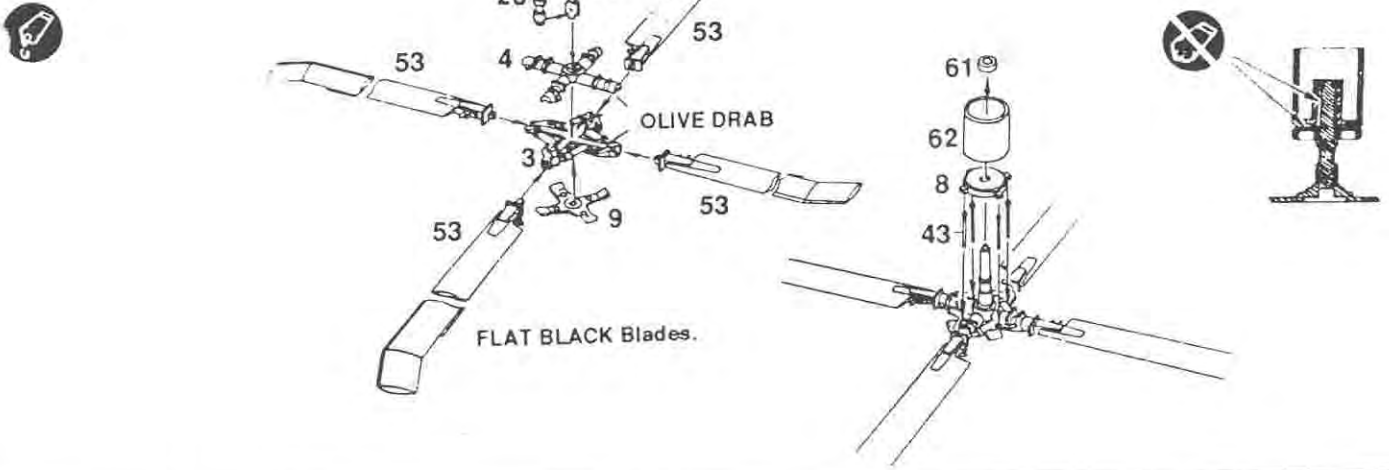
In production since 1978, the **UH-60A Blackhawk** underwent many improvements at different times in its cycle. In 1989 the Army undertook a program to upgrade the **Blackhawk** which was then redesignated the UH-60L. The **UH-60L** has the more powerful 1,857 horsepower engines, a stronger improved transmission, better flight controls and a revised tail rotor system.

Most of these improvements are not easily visible, but the HIRSS infra-red exhaust suppression system changed the appearance of the **Blackhawk** considerably. Some **Blackhawks** now carry the ESSS external stores stub wings, but this option appears to be rarely used.

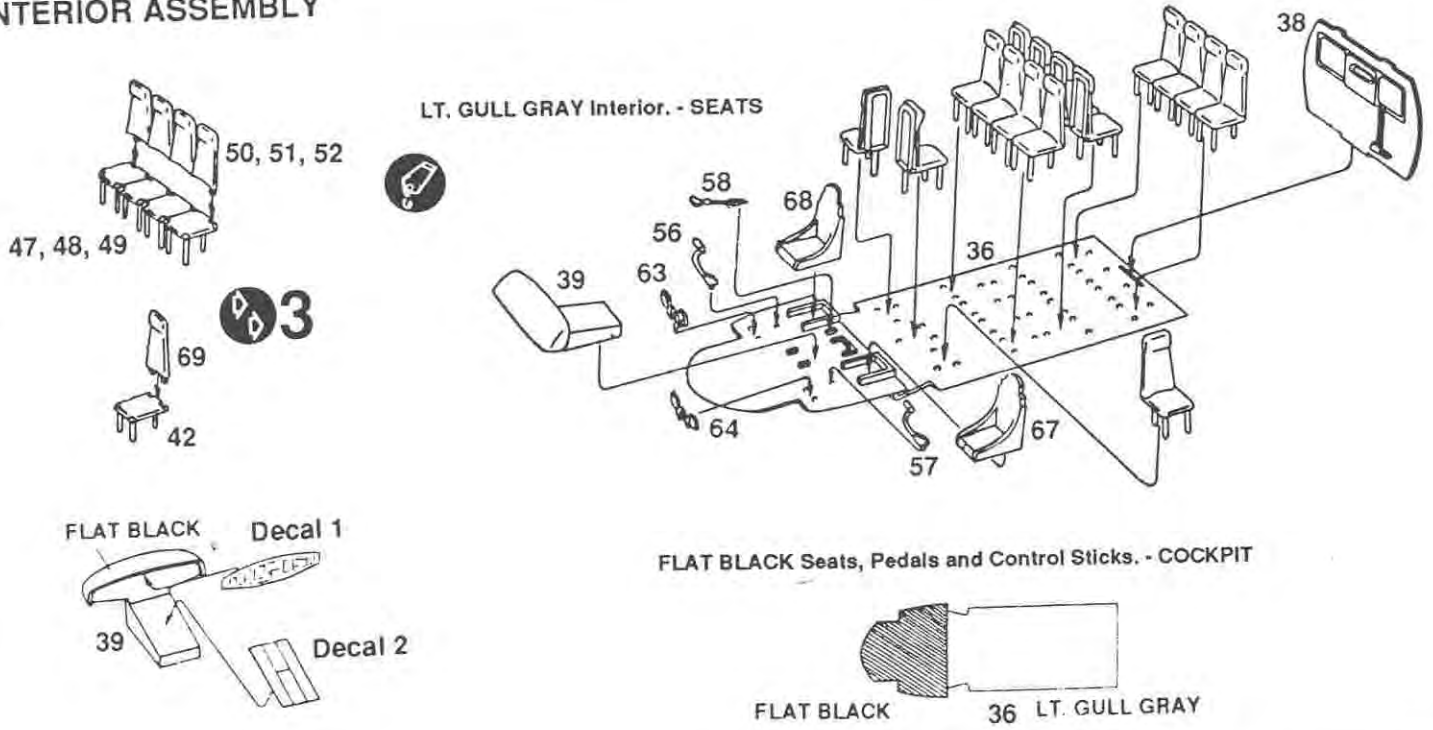
With its maximum speed of 182 mph and a surface ceiling of 19,300 feet, the **UH-60L Blackhawk** has become the Army's preferred method of moving troops to battle. Besides its crew of three, the **Blackhawk** can carry up to 12 fully equipped troops. Small wonder it has proven so successful in the Gulf, Somalia, Panama and Haiti operations. Between production of the original **UH-60A**, many of which are being retrofitted to **UH-60L** specifications and new **UH-60L** productions, well over 1,200 **Blackhawks** have been delivered to the U.S. Army. Additionally, large numbers of **Blackhawks** have been sold to a number of foreign air forces.

It is anticipated that the **Blackhawk** will be the mainstay troop-carrying helicopter of the U.S. Army for many years to come and well into the 21st century.

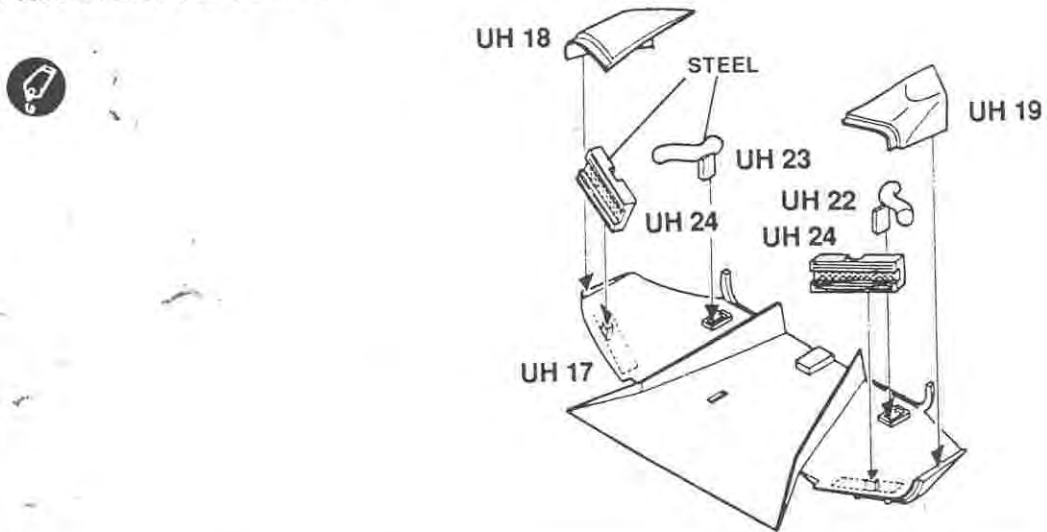
# 1 MAIN ROTOR ASSEMBLY



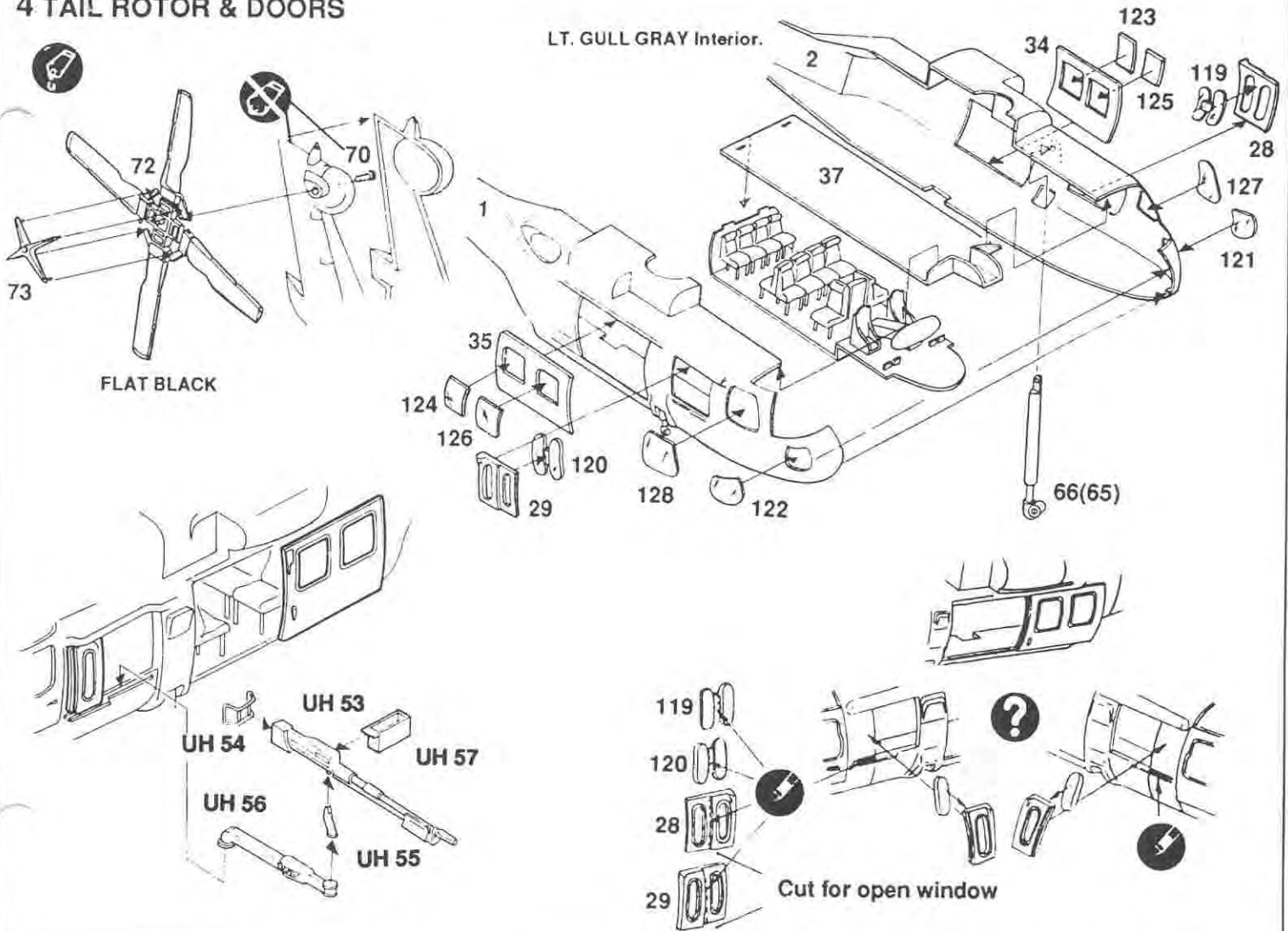
# 2 INTERIOR ASSEMBLY



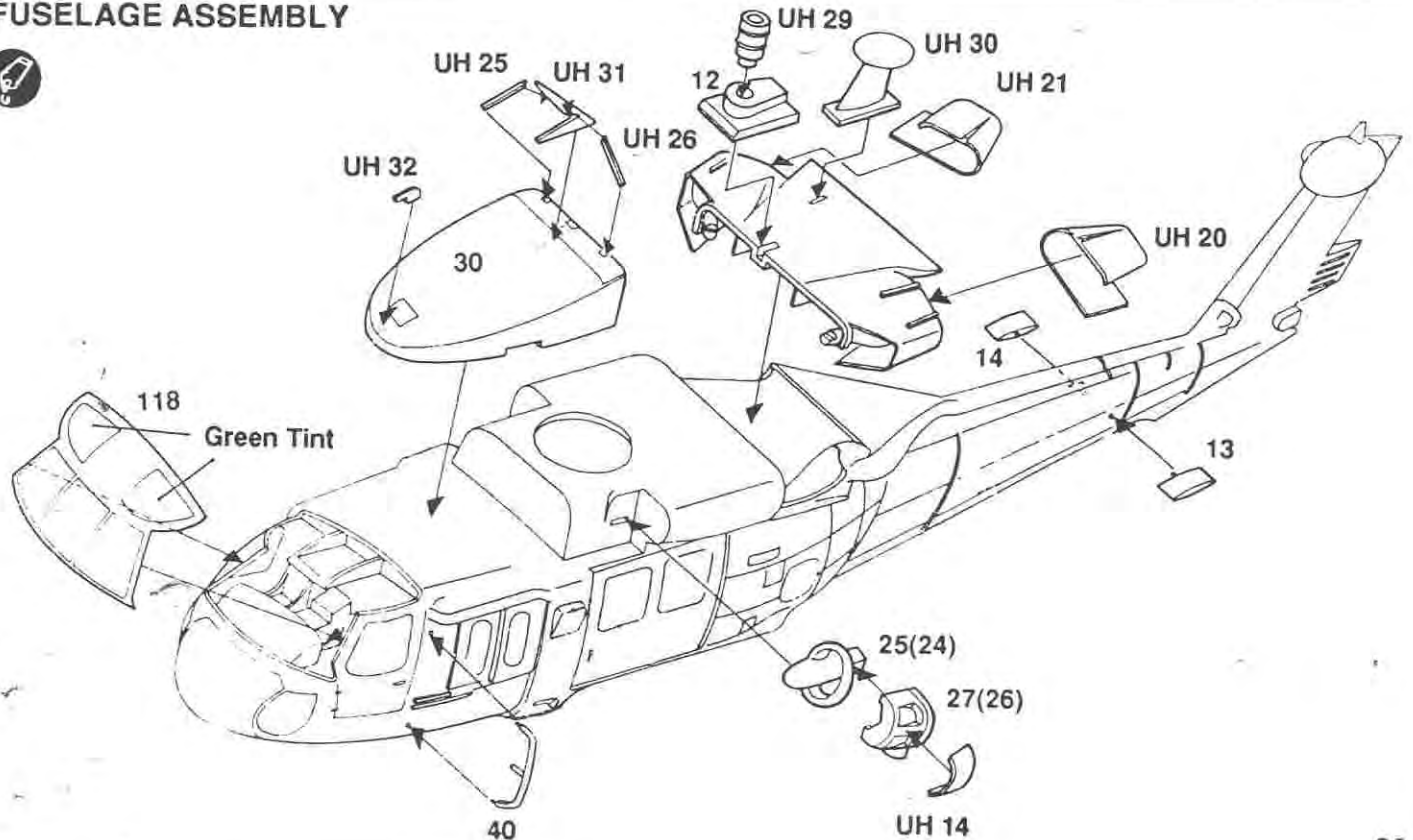
# 3 EXHAUST ASSEMBLY



# 4 TAIL ROTOR & DOORS

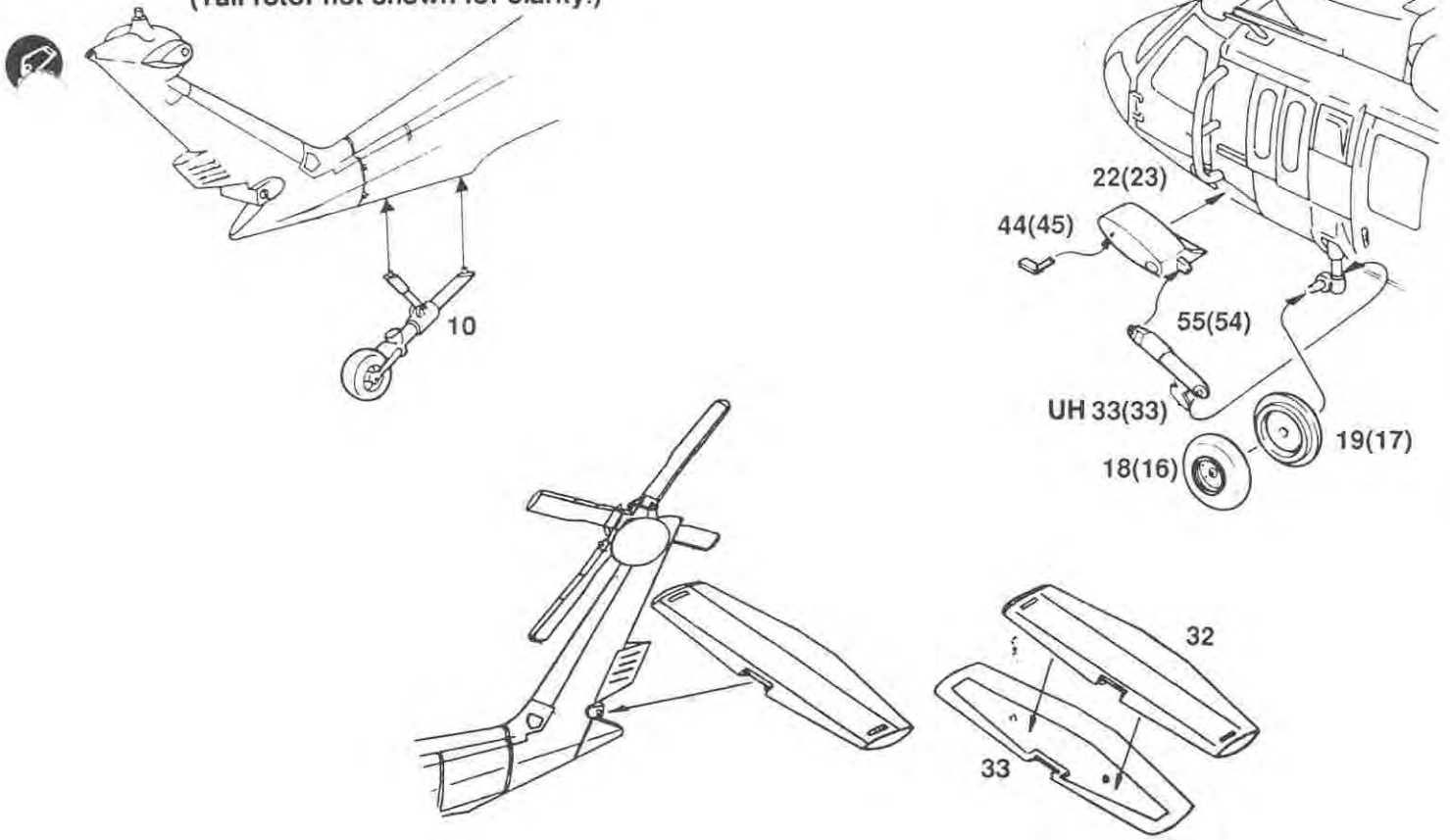


# 5 FUSELAGE ASSEMBLY

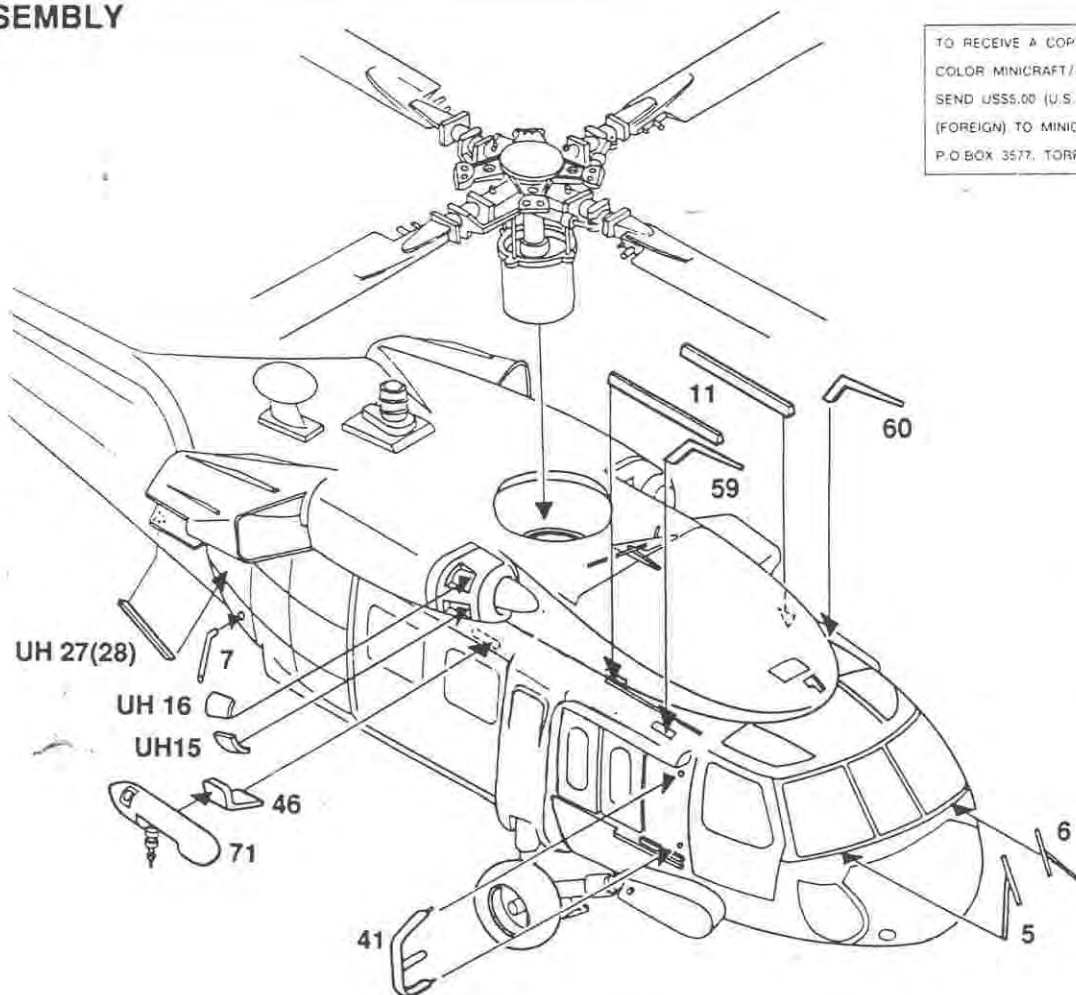


## 6 STABILIZER & LANDING GEAR

(Tall rotor not shown for clarity.)

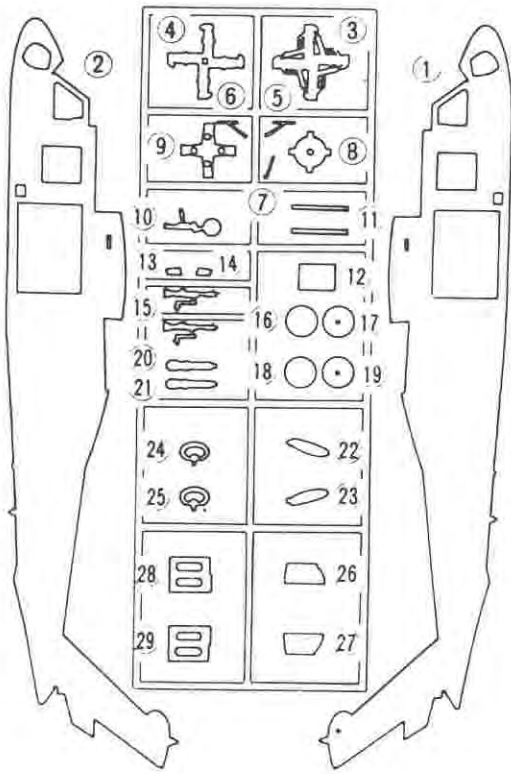


## 7 FINAL ASSEMBLY

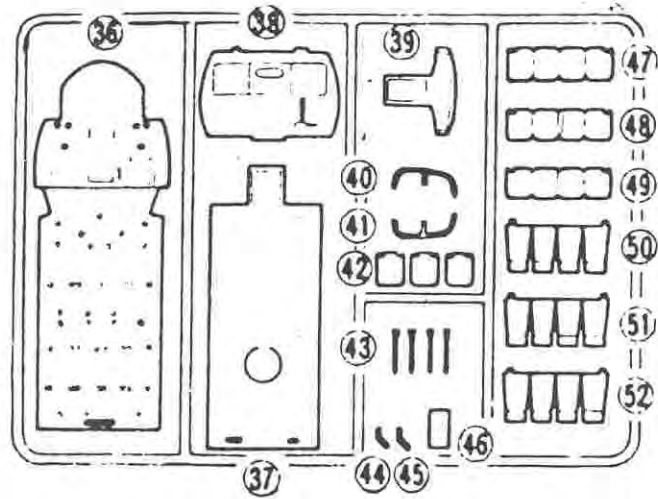


TO RECEIVE A COPY OF THE NEWEST FULL  
COLOR MINICRAFT/ACADEMY CATALOG,  
SEND US\$5.00 (U.S.A. ONLY) OR US\$6.00  
(FOREIGN) TO MINICRAFT MODELS, INC.  
P.O. BOX 3577, TORRANCE, CALIF 90501

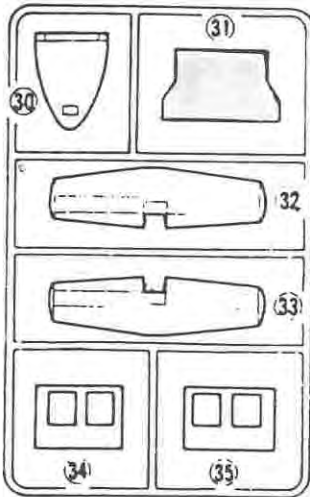
# PARTS LOCATING DIAGRAM



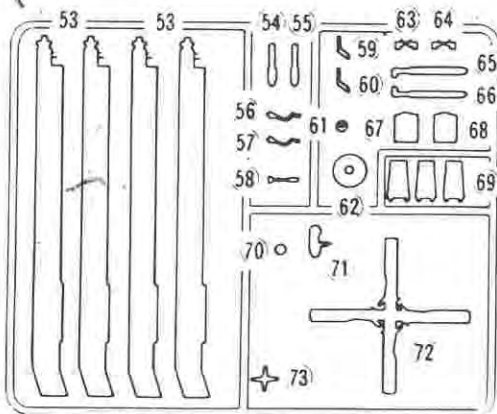
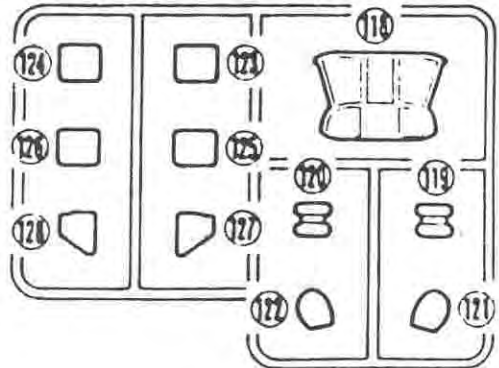
36 ~ 52



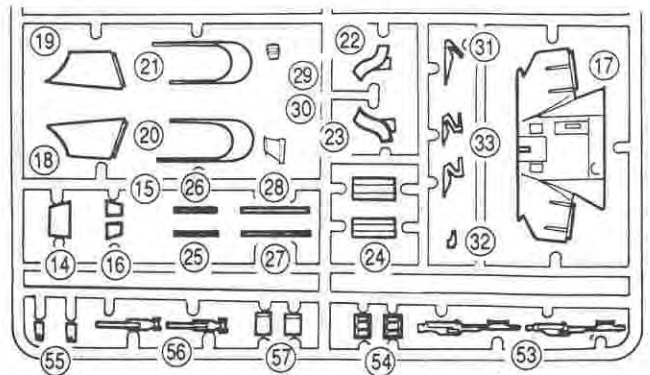
30 ~ 35



118 ~ 128

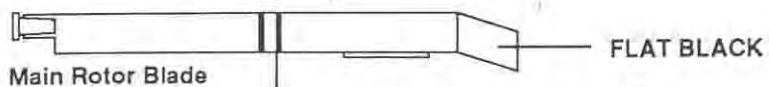


UH60L



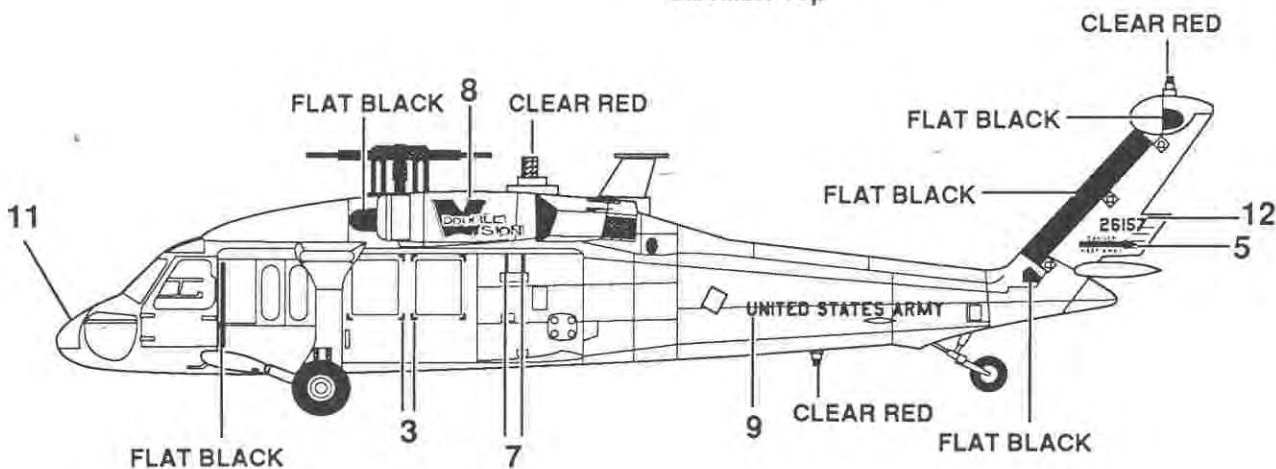
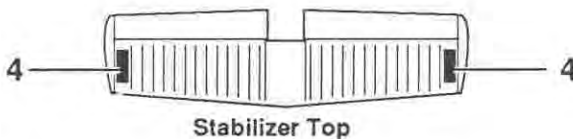
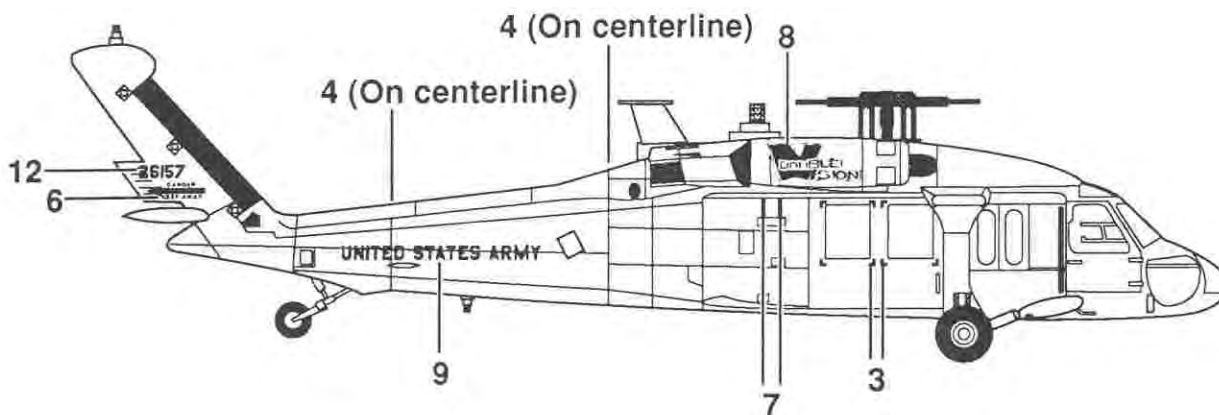
Unused Parts

# U.S. ARMY UH-60L BLACKHAWK Decal Placement and Painting Diagram



PAINT OVERALL OLIVE DRAB F.S. 34087

10



©1995 MINICRAFT MODELS INC.

ENGLISH	FRENCH	GERMAN	SPANISH	ITALIAN
BLACK	NOIR	SCHWARZ	NEGRO	NERO
SILVER	ARGENT	SILBERN	PLATA	ARGENTO
ALUMINUM	METALLIC	METALLIC	METALLICO	METALLICO
LT GRAY	GRIS CLAIR	HELLGRAU	GRIS CLARO	GRIGIO CHIARO
RED	ROUGE	ROT	ROJO	ROSSO
GREEN	VERT	GRÜN	VERDE	VERDE
BROWN	BRUN	BRAUN	MARRON	MARRONE
TAN	BRUN CLAIR	GELBBRAUN	CANELA	MARRONE CHIARO
GLOSS	LUSTRE	GLANZENDES	BRILLANTE	BRILLANTE
FLAT	TERNE	GLANZLOSES	APAGADO	OPACO
CLEAR	CLAIR	KLAR	CLARO	CHIARO



Cement Paste  
Coral  
Hues  
Paper  
Wool  
Color  
Kleber



Color Camera Parts  
The Pass Color  
None of them  
No Paper  
None of them  
None of them  
None of them



Color by  
Coral  
Schubert  
Color  
Tegula  
Color  
Schubert



Optional Parts  
Color  
Automatograph  
Color  
Color  
Color  
Color  
Color



3

Repeat Operation  
Repeat Operation  
Repeat Operation  
Repeat Operation  
Repeat Operation  
Repeat Operation  
Repeat Operation  
Repeat Operation

2148

**ACADEMY**  
**MINICRAFT**