

CUT



REMOVE
PROTECTIVE COVER



R1

USE A SAW TO REMOVE SUPPORTS
FROM 3D PRINTED PARTS



R4



R5



R3



R7

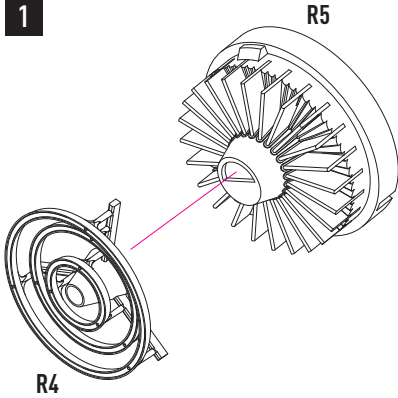


R6



R2

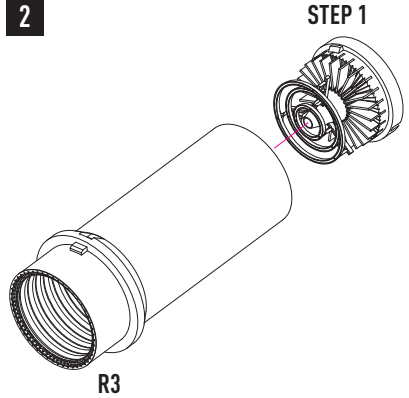
1



R5

R4

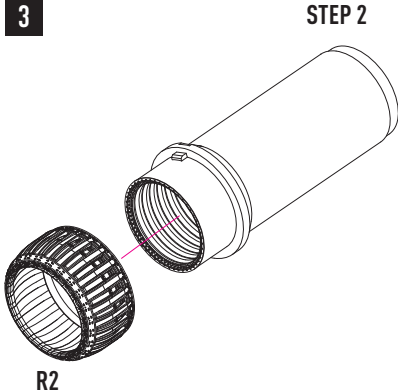
2



STEP 1

R3

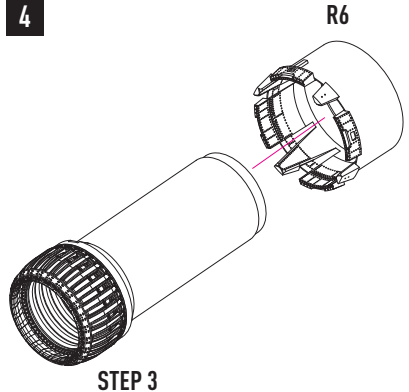
3



STEP 2

R2

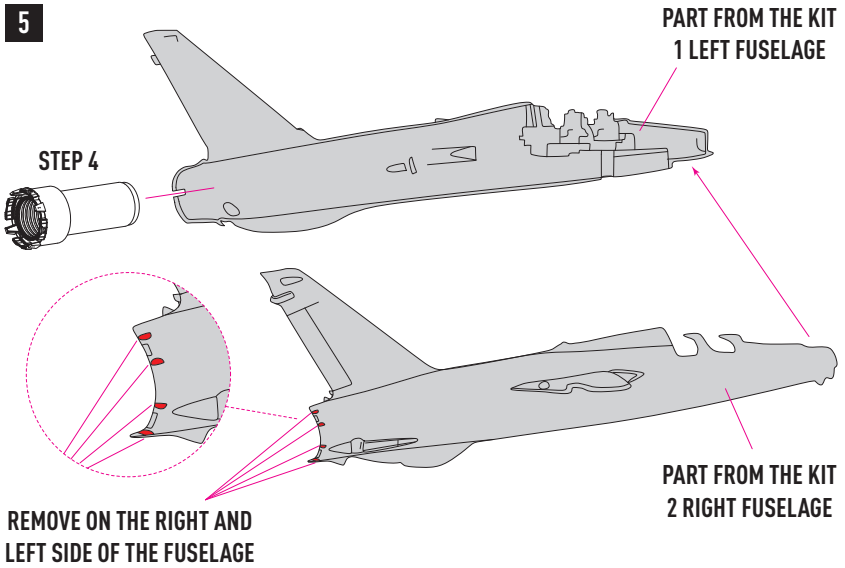
4



R6

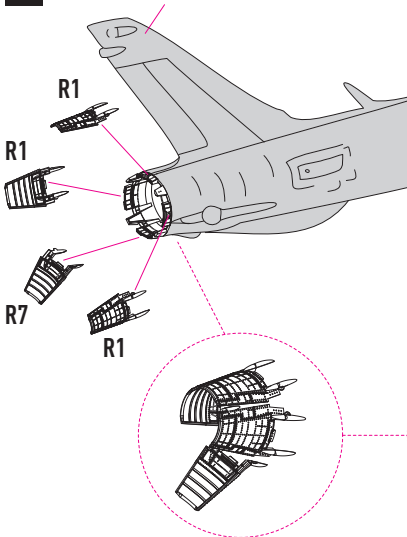
STEP 3

5



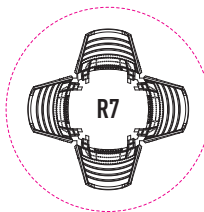
6

PART FROM THE KIT (FUSELAGE)

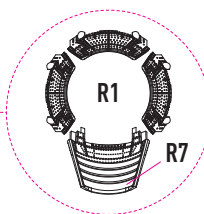


POSITION OF THE FLAPS
OF THE OUTER NOZZLE:

OPEN



HALF CLOSED



CLOSED

