



RESIN PARTS  
FOR SCALE PLASTIC KITS

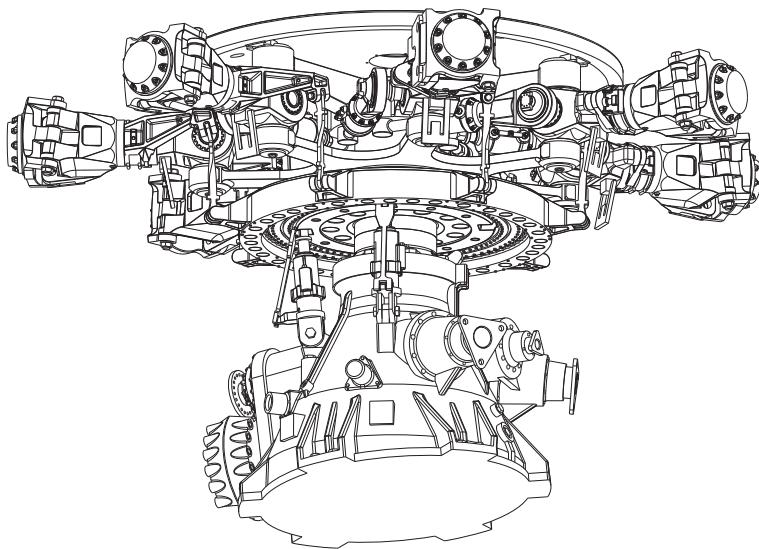
INSTRUCTION **RSU72-24**

YOU CAN FIND INSTRUCTIONS  
IN PDF FORMAT ON THE WEBSITE

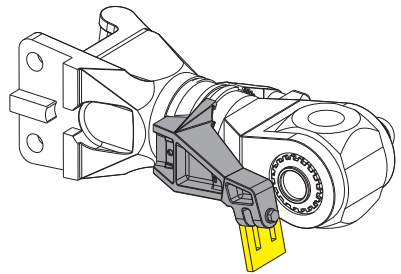
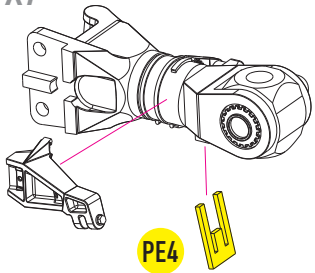
[WWW.RESKIT.COM.UA](http://WWW.RESKIT.COM.UA)

# MAIN ROTOR

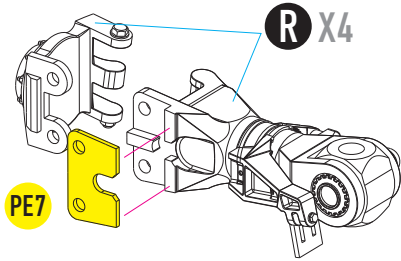
CH-53E SUPER STALLION, MH-53E SEA DRAGON  
7 BLADES - 3 ENGINES



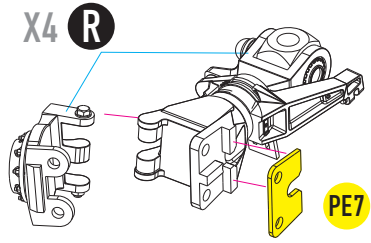
**1** X7



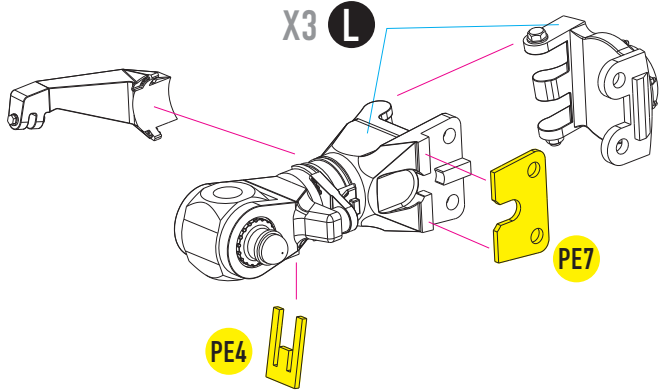
**2** BLADES IN FLY POSITION



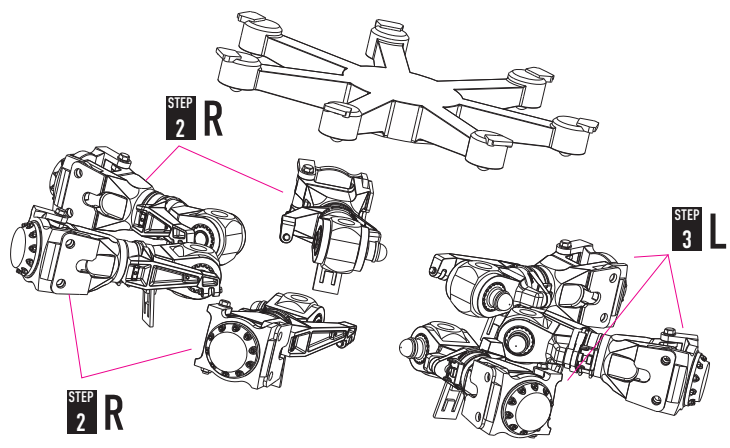
BLADES IN FOLD POSITION



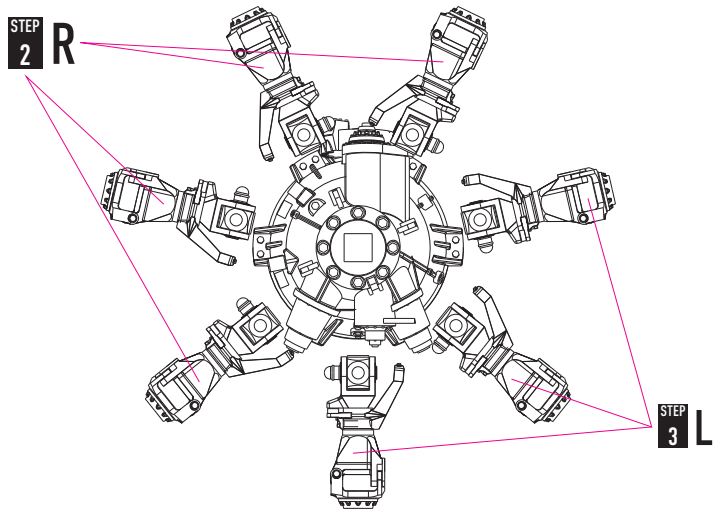
**3**



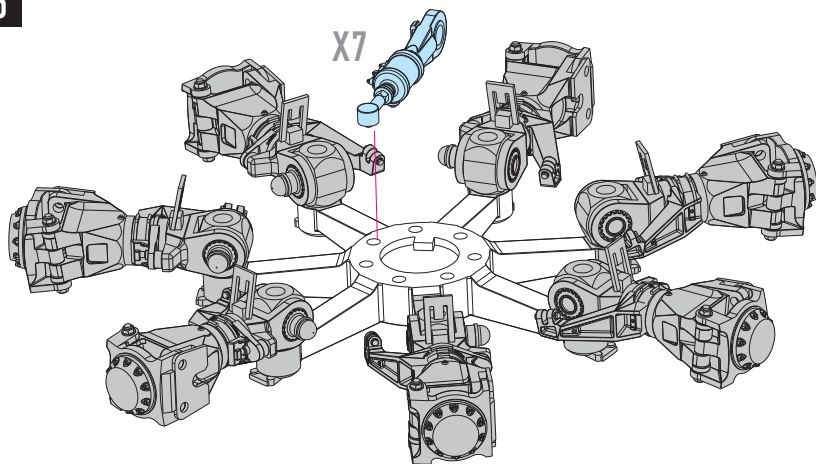
4



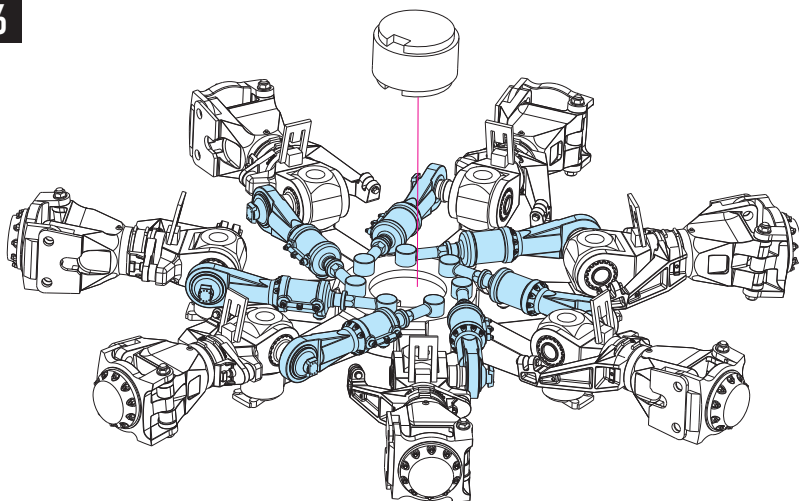
↑  
FRONT



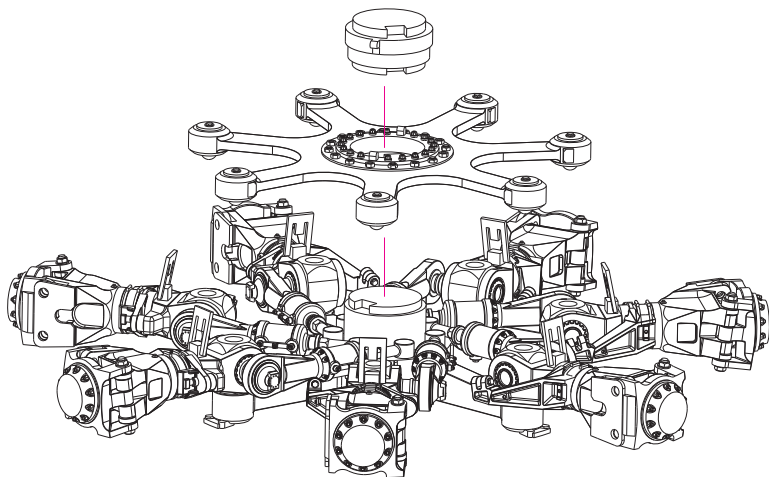
5



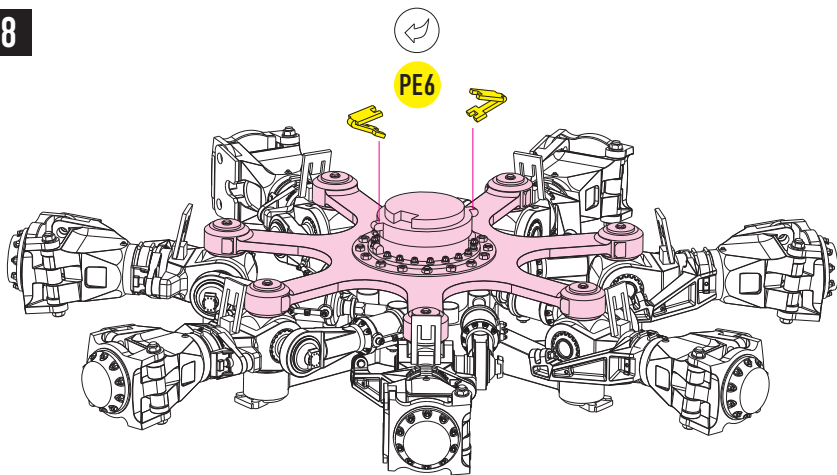
6



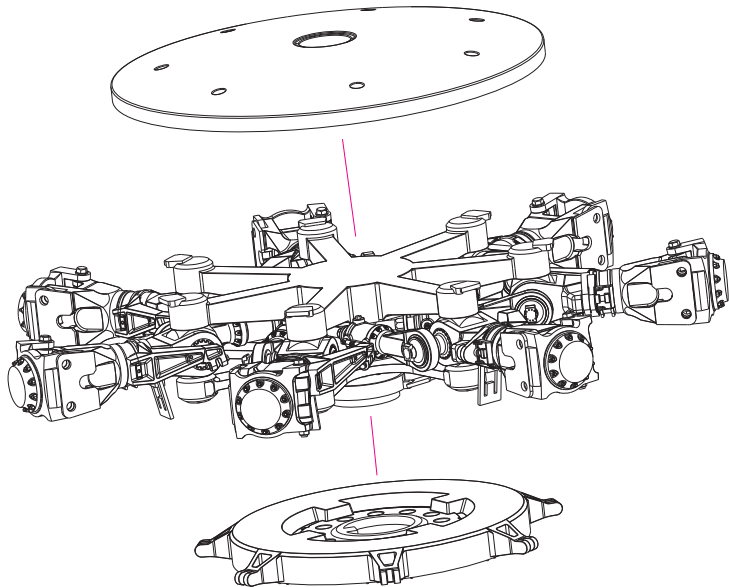
7



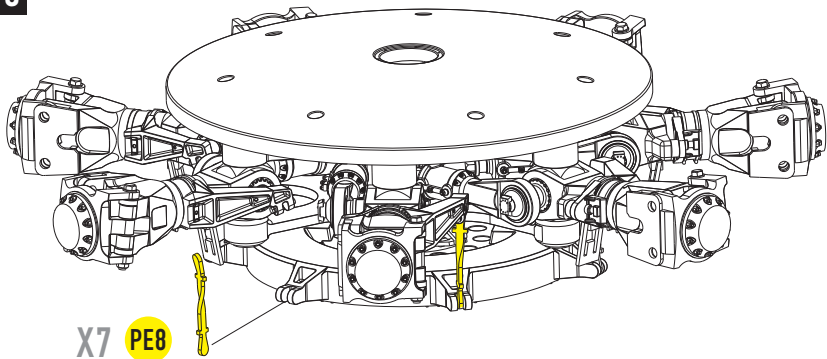
8



9



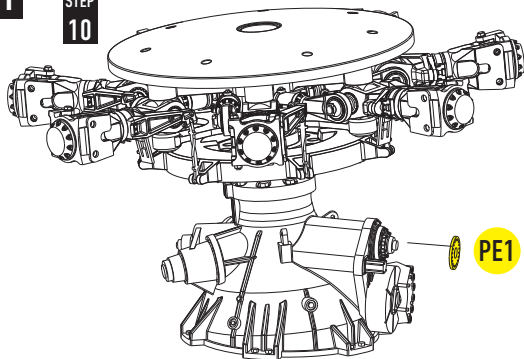
10



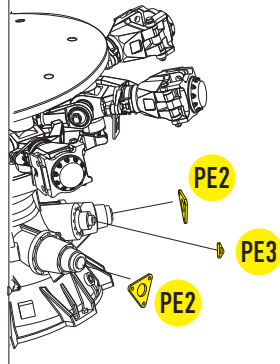
X7 PE8

11

STEP  
10

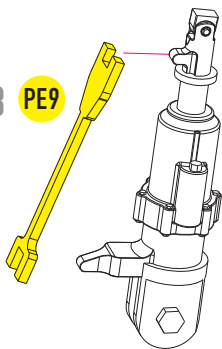


12

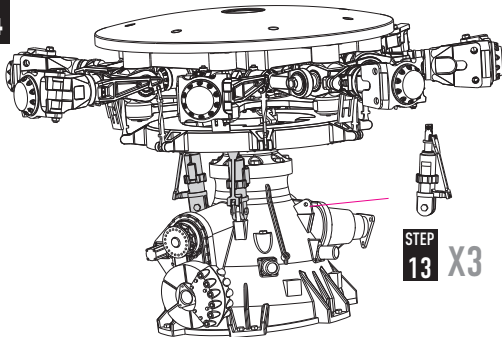


13

X3

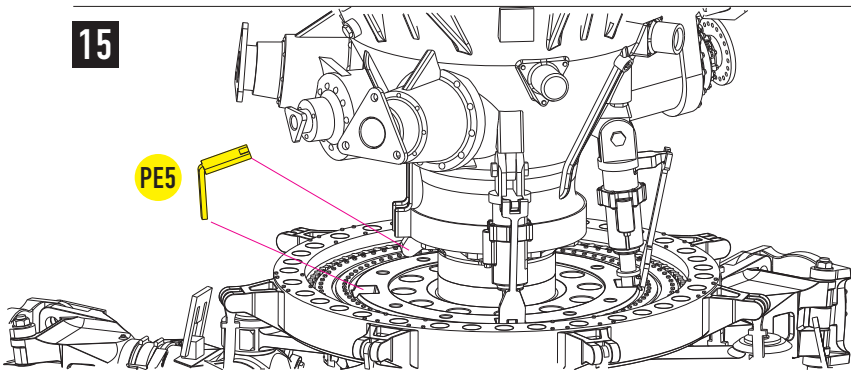


14



15

PE5



# WHAT ELSE? for CH-53E SUPER STALLION, MH-53E SEA DRAGON

RS72-0063 / CH-53 (G, E, J) MH-53M wheels set

RSU72-0008 / Fuel tank CH-53 (2 pcs)

RSU72-0009 / Air Intakes CH-53, MH-53 (3 pcs)

RSU72-0010 / Front wheel bay CH-53, MH-53

RSU72-0011 / CH-53, MH-53 Weapon Set (Browning M50) and Ammo belts feeder

RSU72-0012 / Seat CH-53, MH-53 with PE safety belts

RSU72-0024 / Rotor CH-53 Super Stallion, MH-53E Sea dragon (7 blades - 3 engines)

RSU72-0037 / Tail rotor for CH-53E Super Stallion / MH-53E Sea dragon

RSU72-0044 / Folding tail for CH-53E super stallion / MH -53E sea stallion (for Italeri Kit)

[WWW.RESKIT.COM.UA](http://WWW.RESKIT.COM.UA)