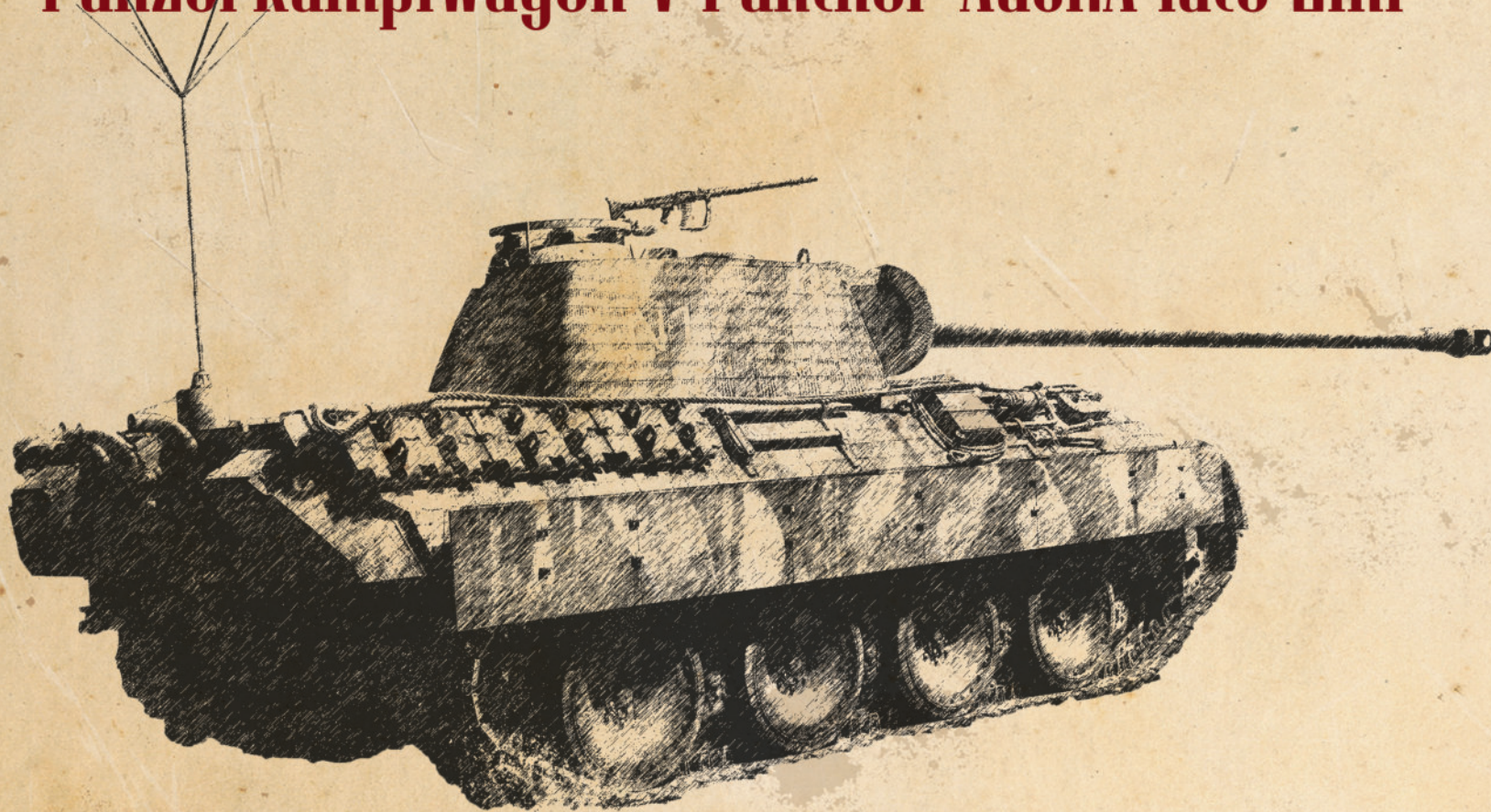


1:35 Scale Model Kit

Panzerkampfwagen V Panther Ausf.A late 2in1



In cooperation
with:



Vor dem Zusammenbau lesen!

DW35011

READ BEFORE ASSEMBLY

CAUTION

- Read carefully and fully understand the instructions before commencing assembly. A supervising adult should also read the instructions if a child assembles the model.
- When assembling this kit, tools including knives used. Extra care should be taken to avoid personal injury.
- Keep out of reach of small children. Children must not be allowed to suck any part, or pull vinyl bag over their heads.



Optional



Fill Holes



Be Careful



Remove



Drill



Instant Glue
for Metal

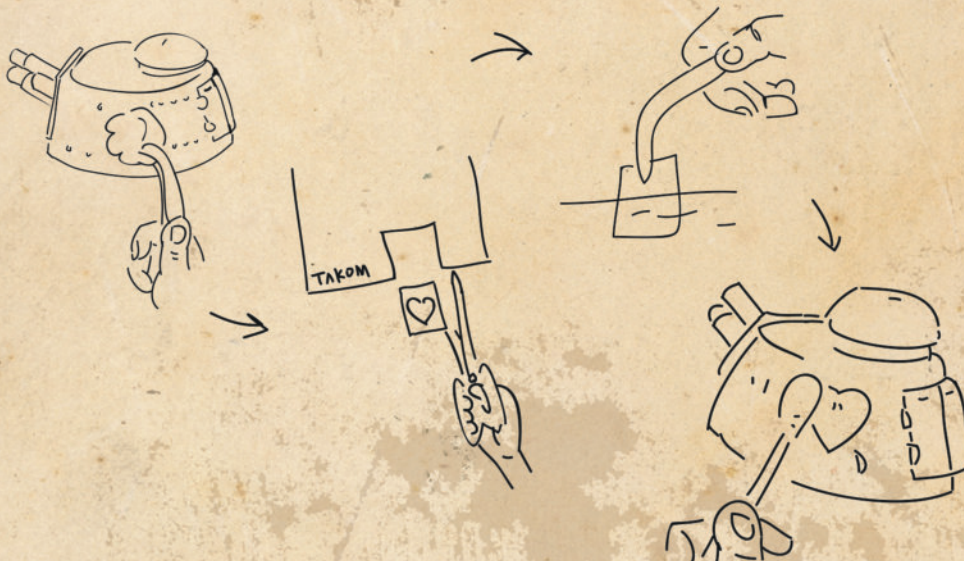
PAINTS REQUIRED

Color info and profiles by Mig Jimenez

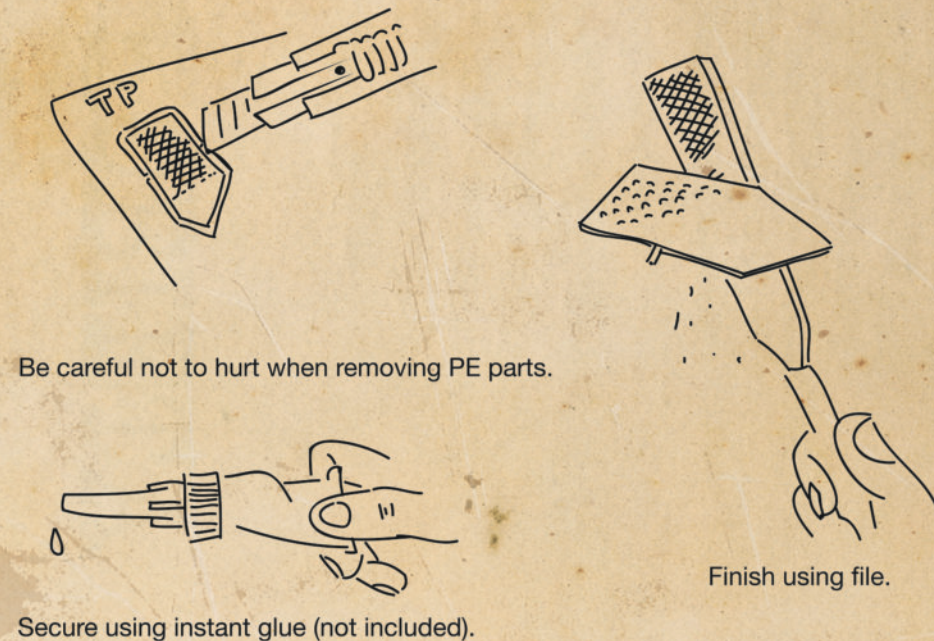
A.MIG 033	Rubber & Tires	A.MIG 035	Dark Tracks	A.MIG 036	Old Wood	A.MIG 038	Old Wood
A.MIG 045	Gun Metal	A.MIG 040	Medium Rust	A.MIG 093	Crystal Red	A.MIG 002	Olivgrun Opt.2
A.MIG 010	Dunkelgelb Mid war	A.MIG 046	Cremeweiss	A.MIG 014	Rotbraun	A.MIG 017	Matt Black
A.MIG 192	Polished Metal	A.MIG 032	Satin Black	A.MIG 190	Old Brass	A.MIG 218	Schwarzgrau
A.MIG 008	Dunkelgrau	A.MIG 101	Dunkelgelb	A.MIG 042	Old Rust	A.MIG 015	Schokobraun
A.MIG 194	Matt Aluminum	A.MIG 096	Crystal Periscope Green				

APPLYING DECALS

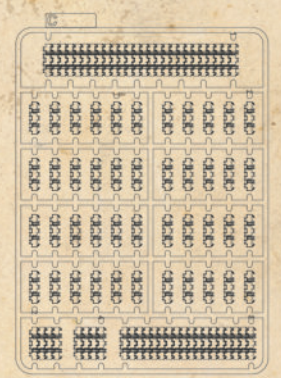
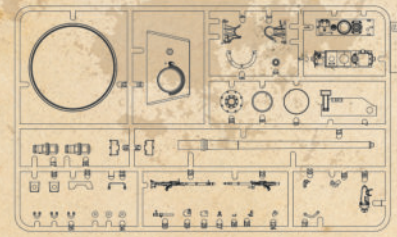
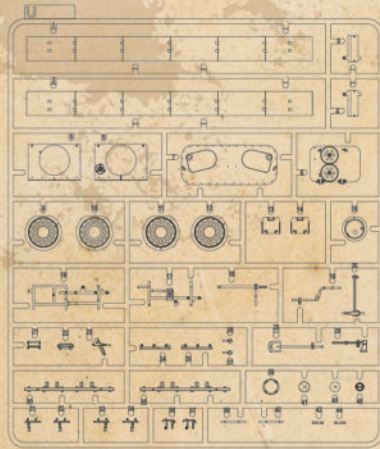
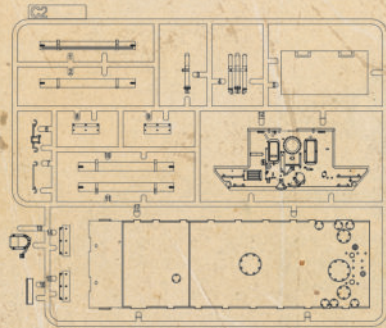
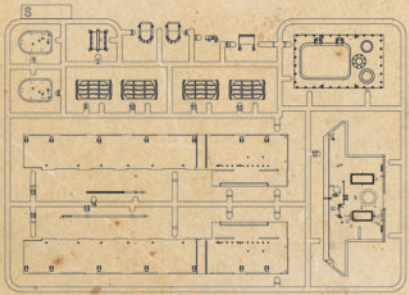
1. Clean the model surface with a wet cloth.
2. Cut out each decal design from sheet, and dip it in tepid water for 15~20 sec.
3. Hold the backing sheet edge and slide decal onto the model.
4. Move decal into position by wetting decal with finger.
5. Press decal gently down with a soft cloth until excess water and air bubbles are gone.



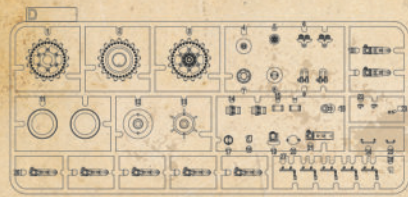
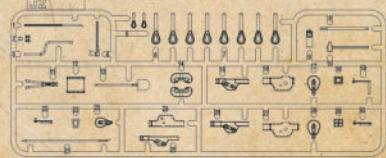
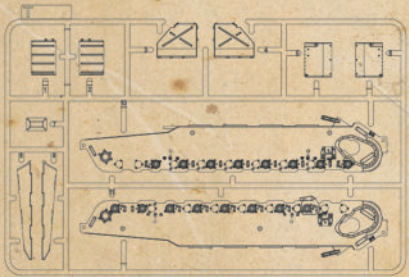
REMOVING PE



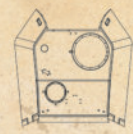
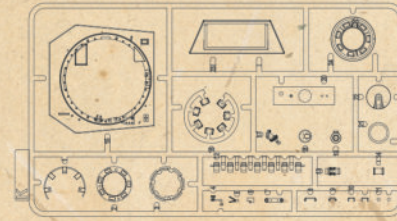
PARTS



X2



X2



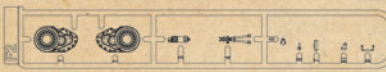
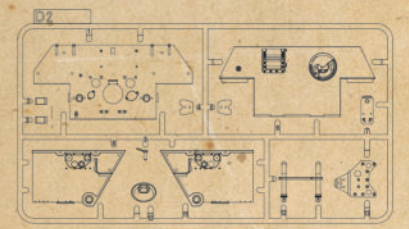
Turret



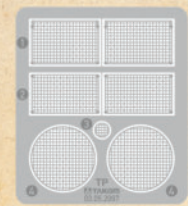
Z1



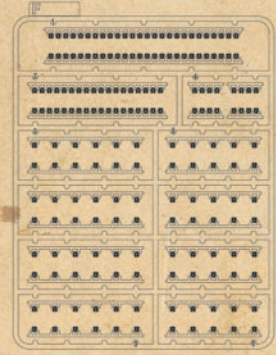
Z2



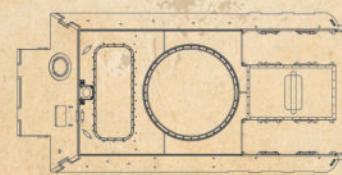
X2



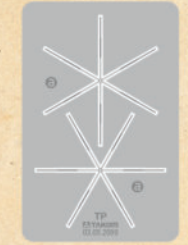
Cable



X2



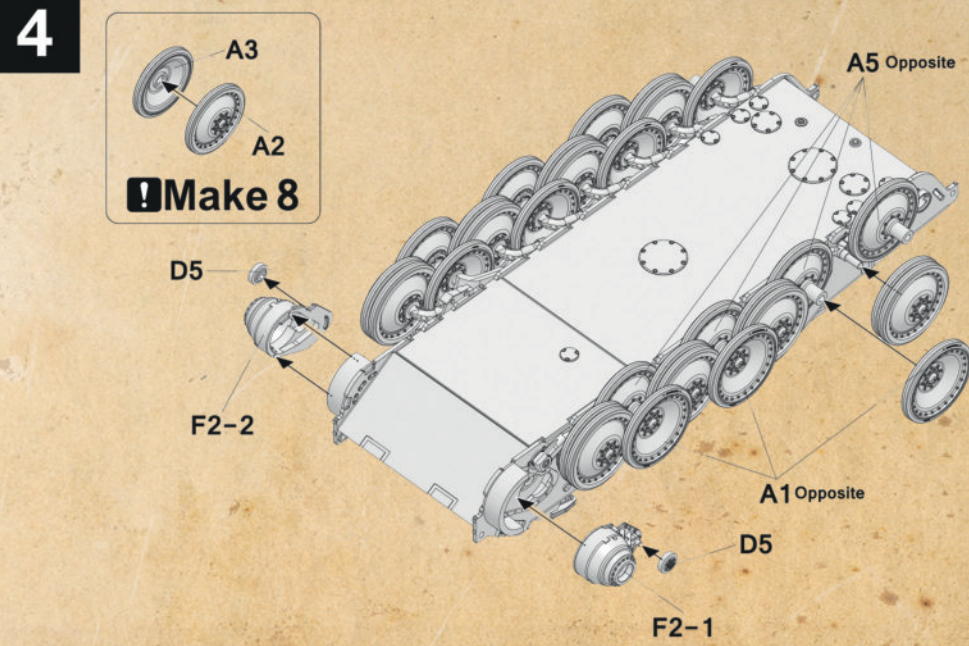
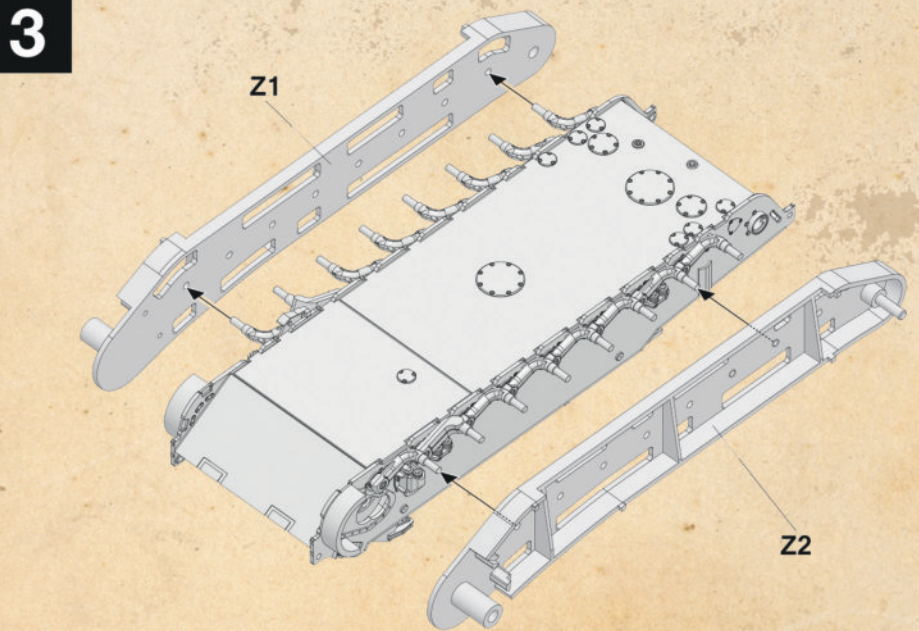
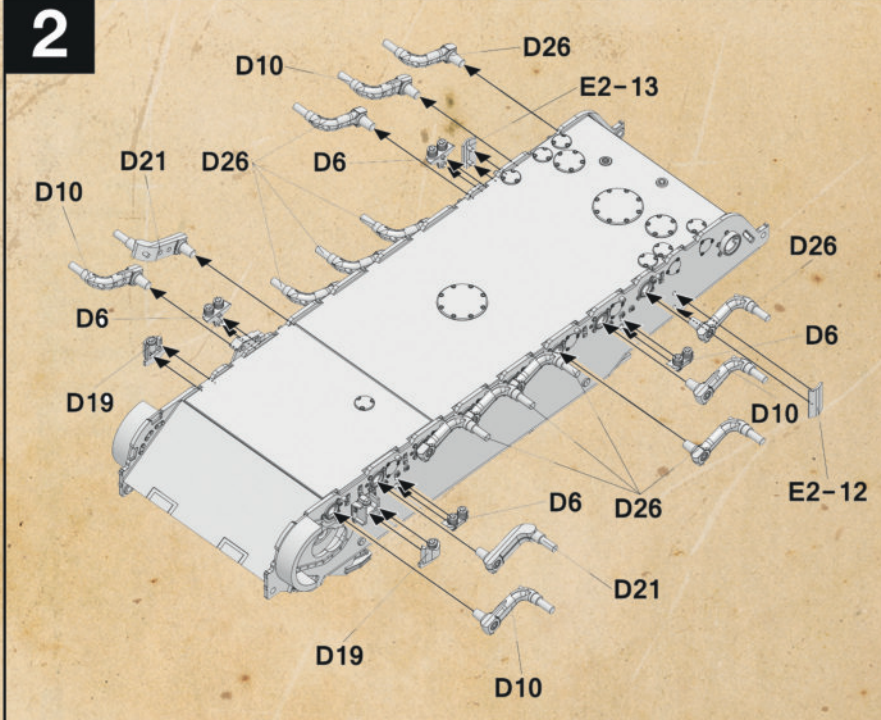
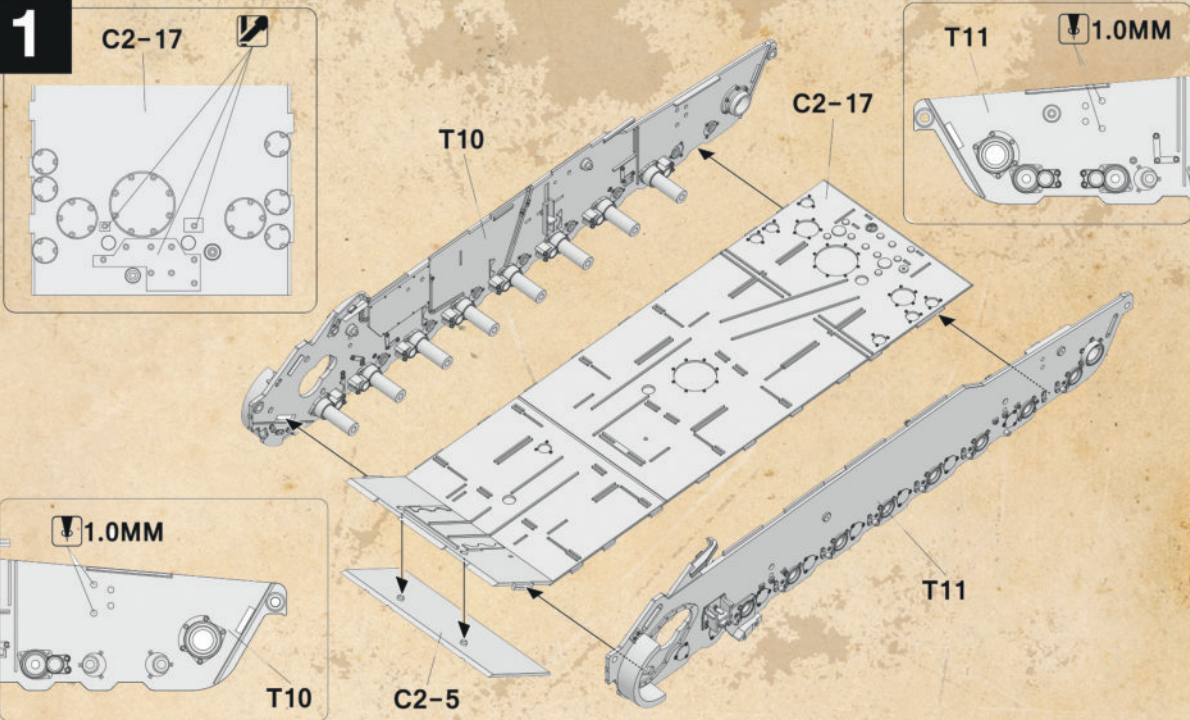
Upper Hull



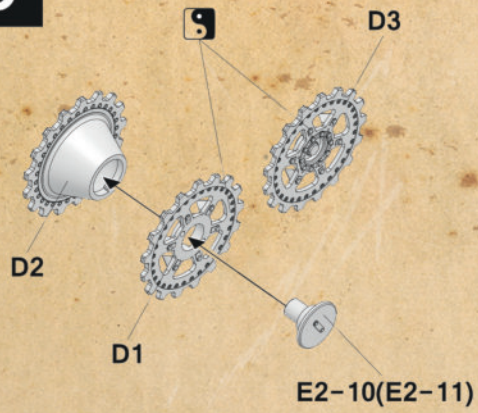
TP



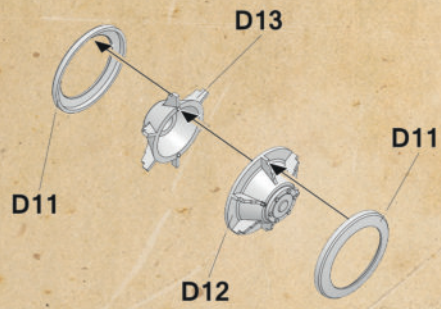
Decal



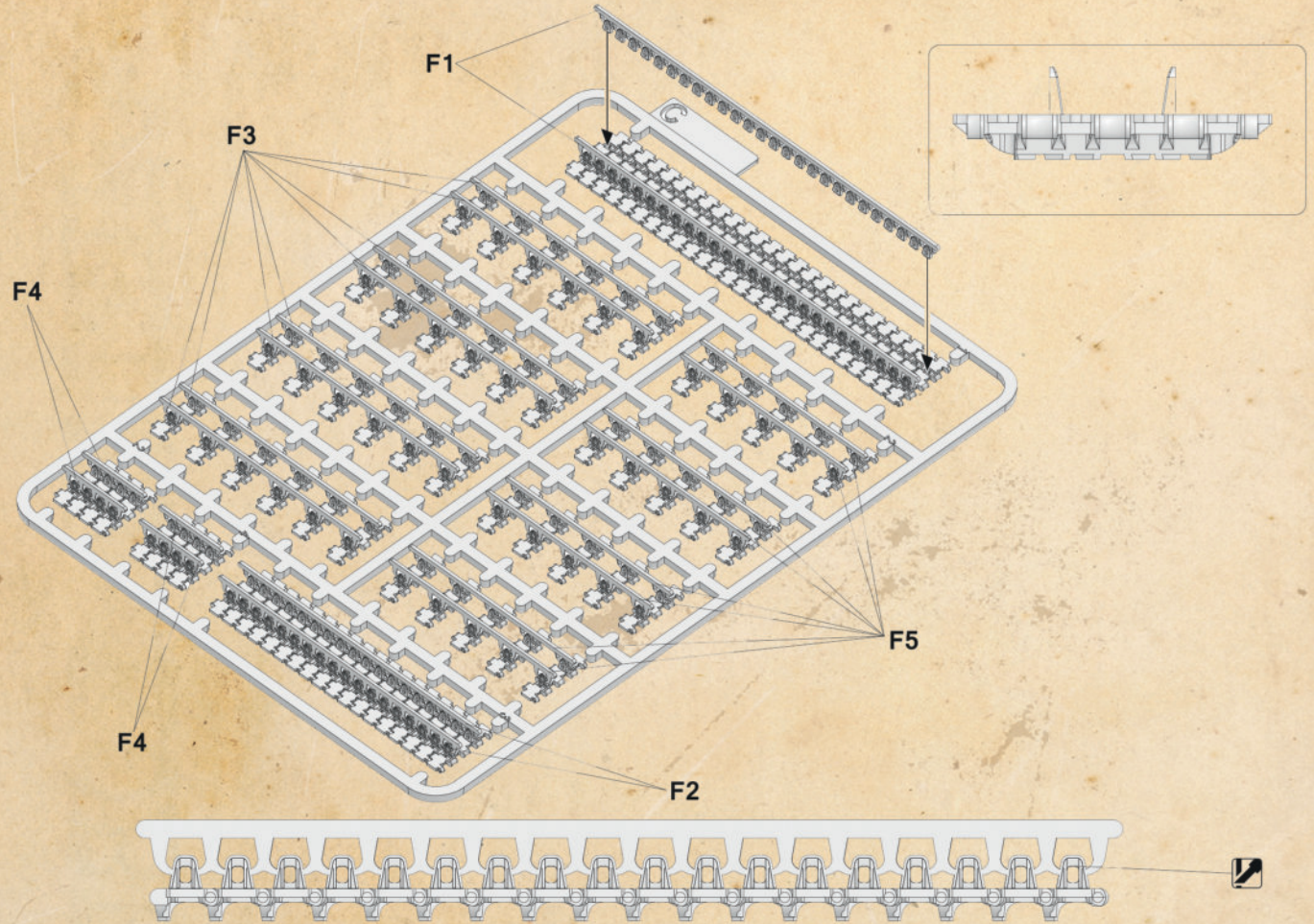
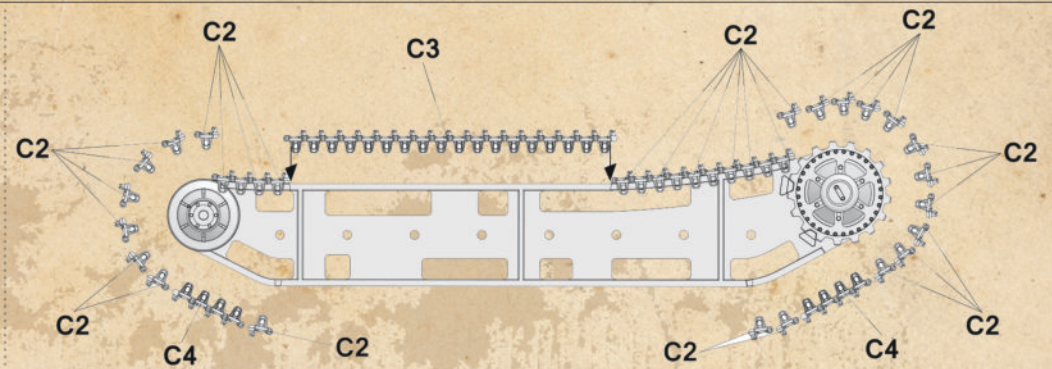
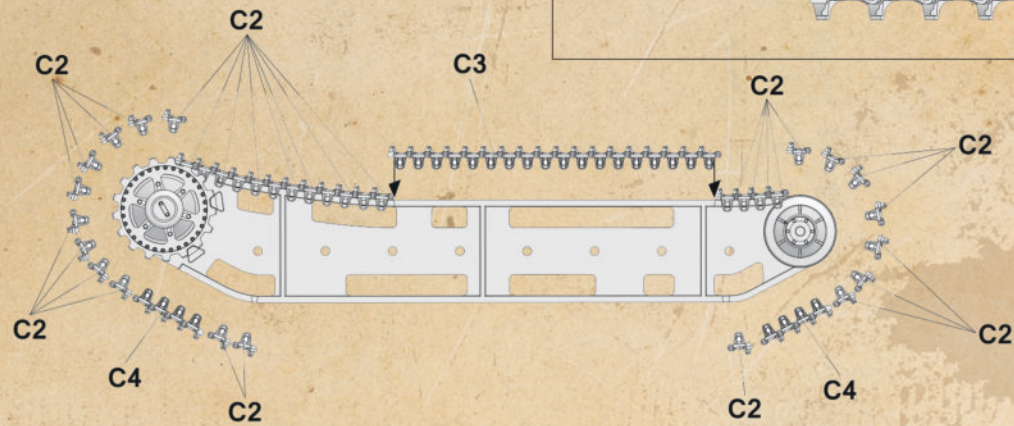
5



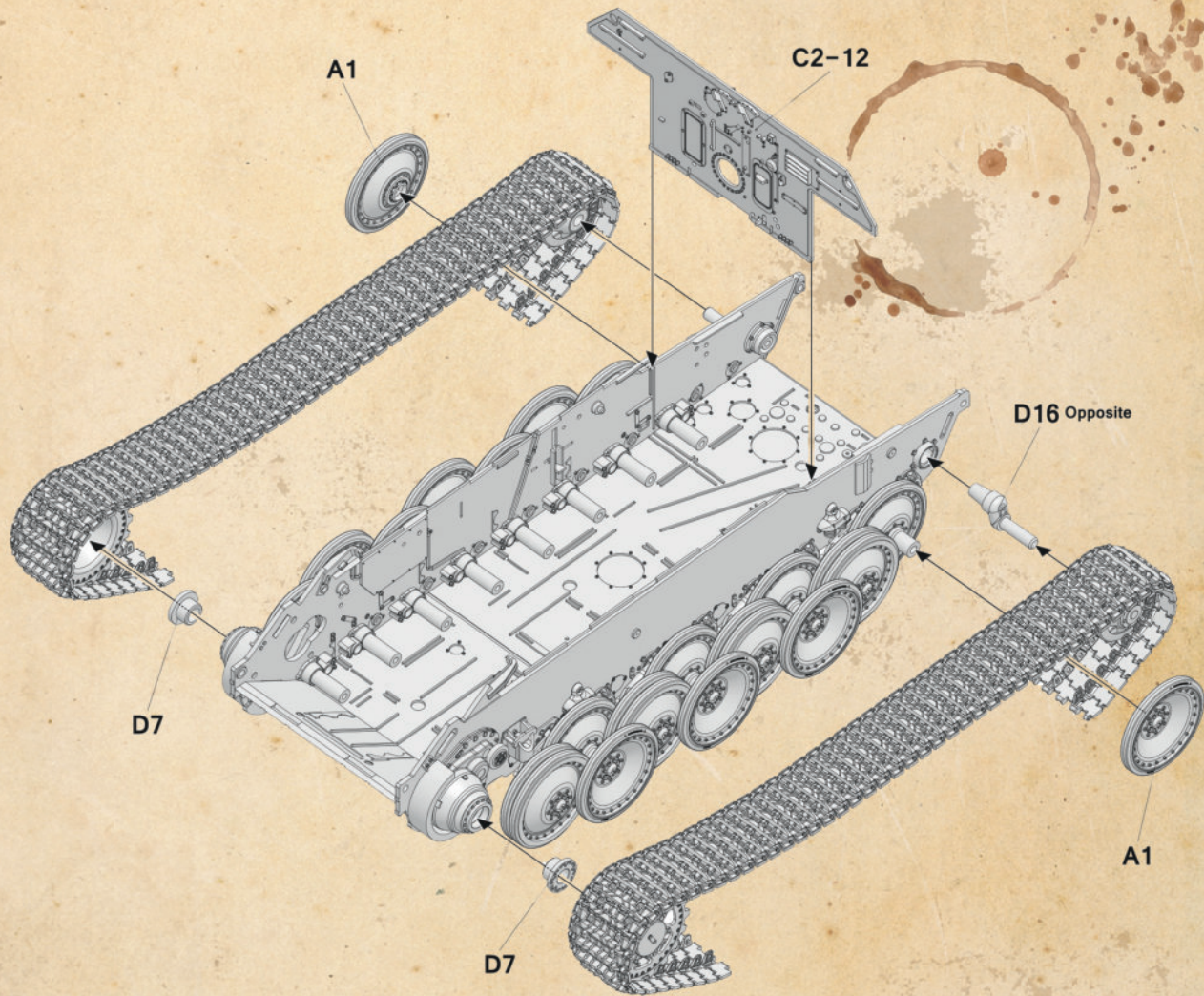
Make 2



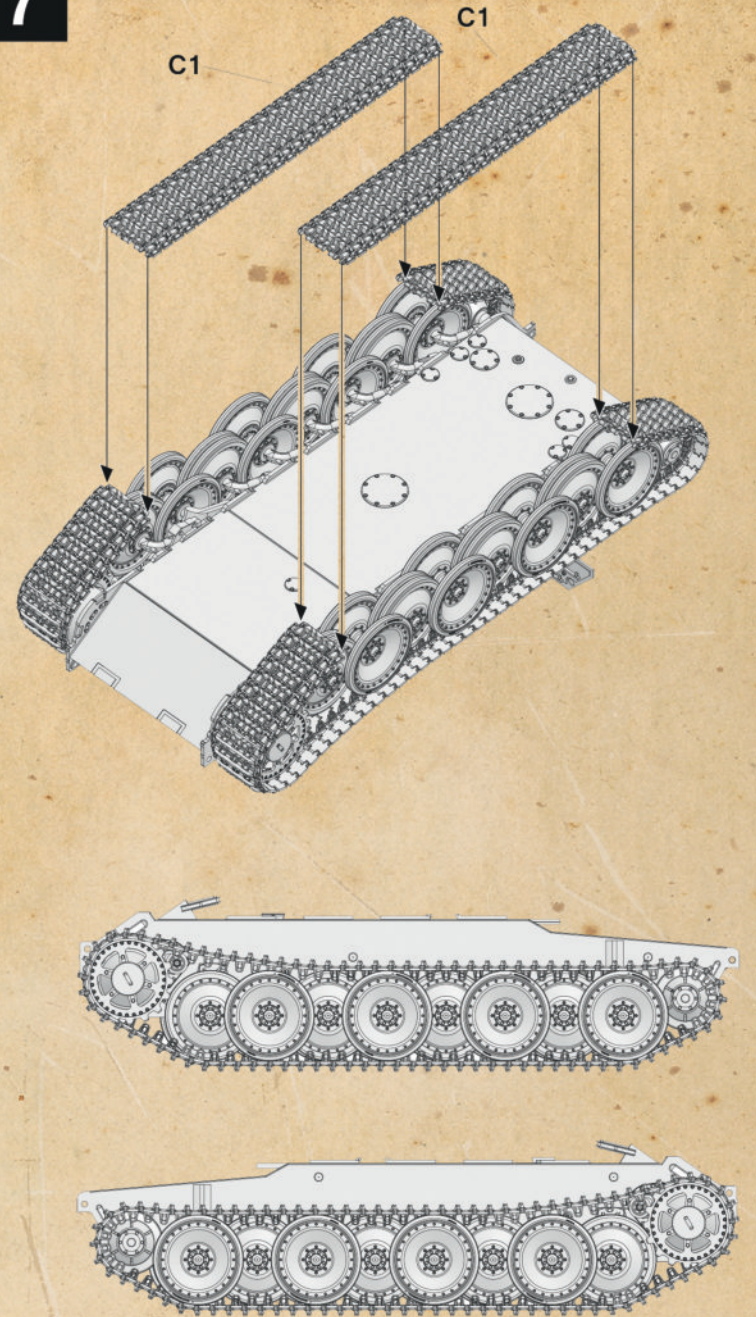
Make 2



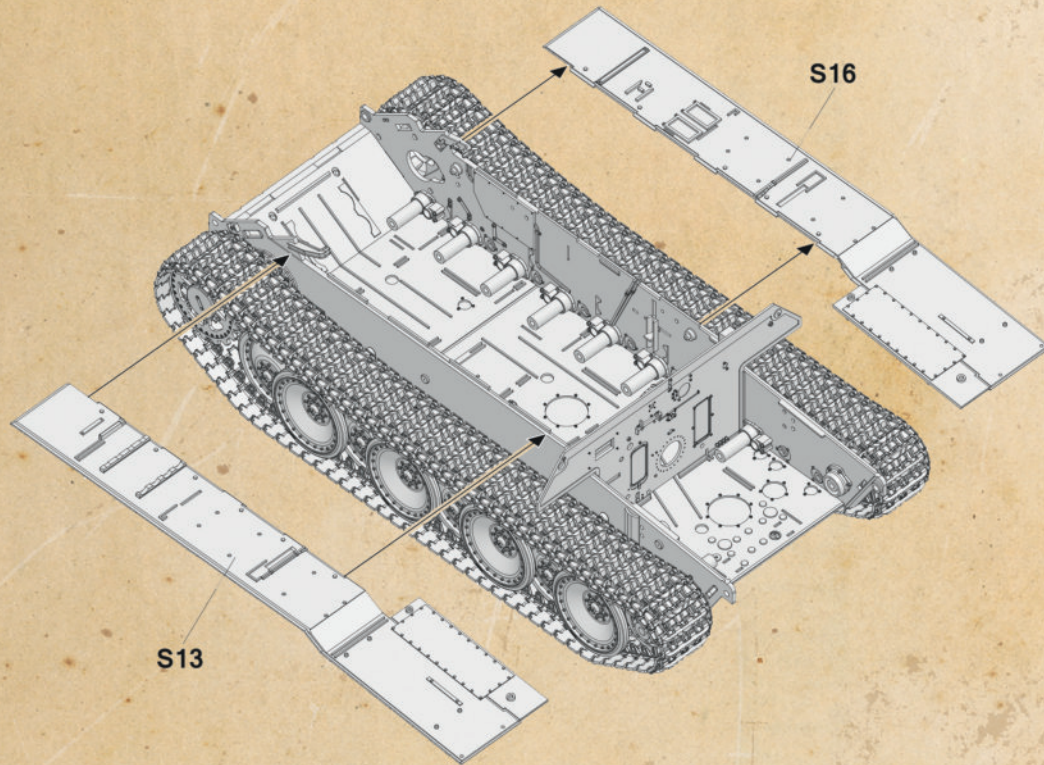
6



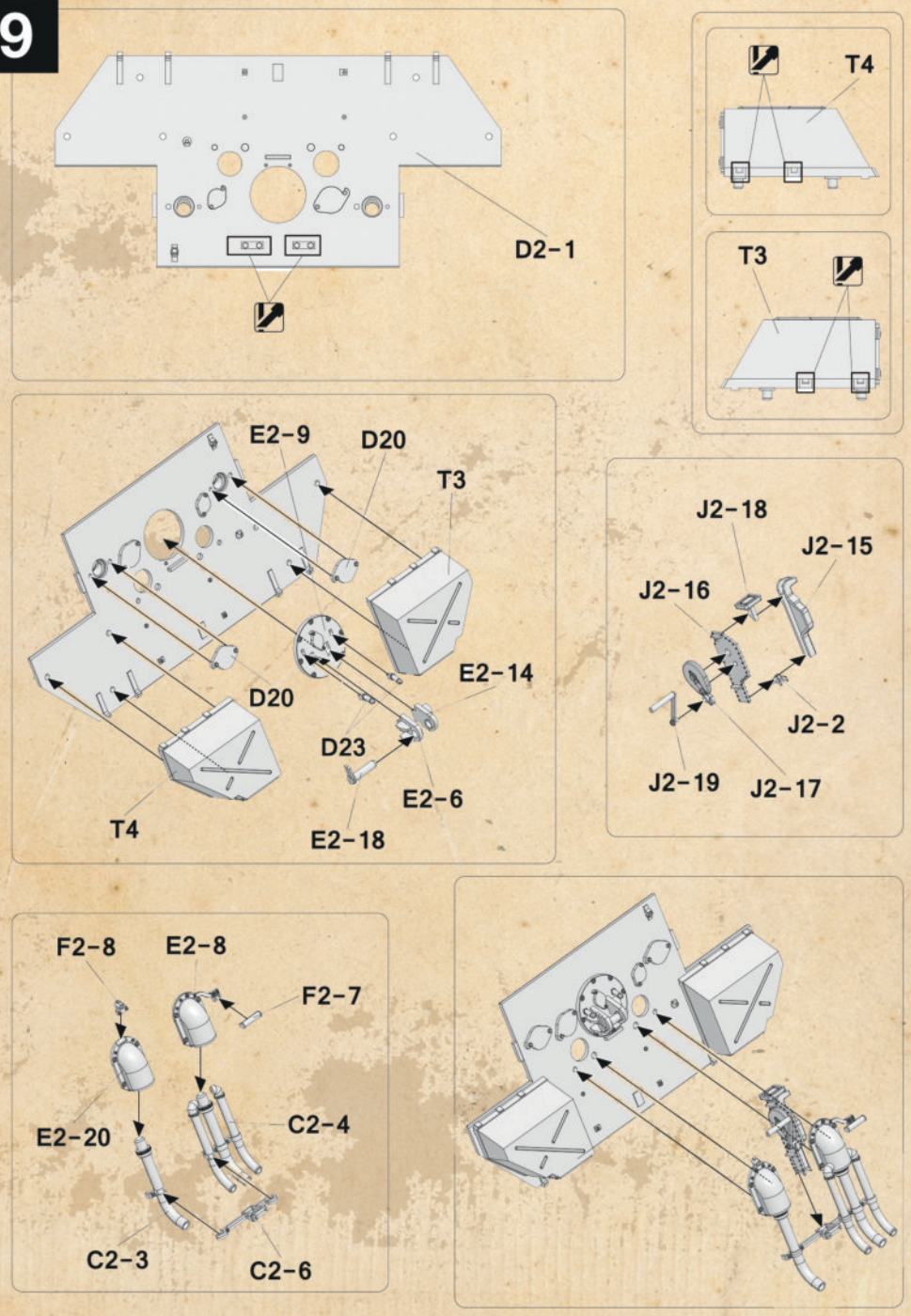
7



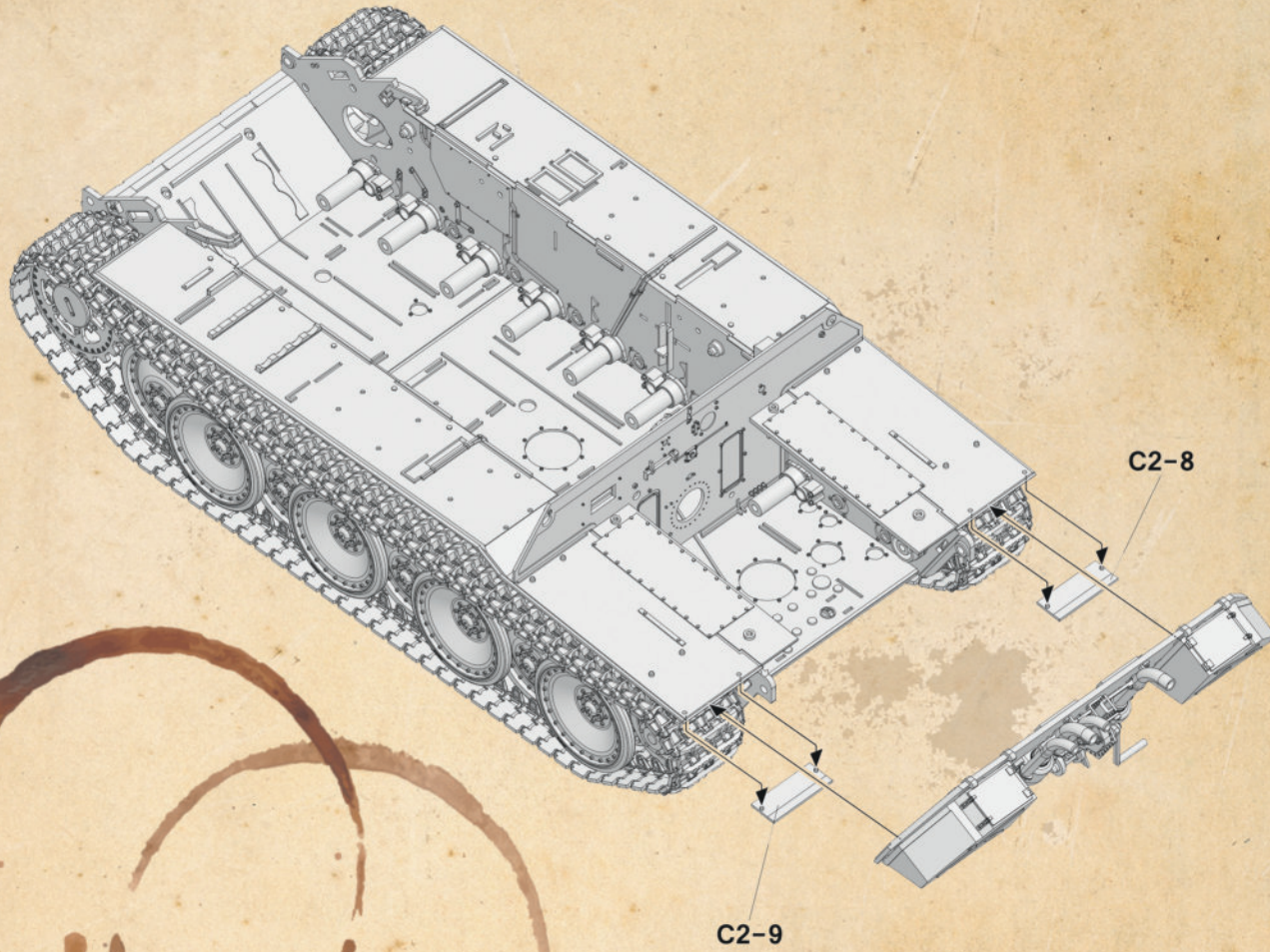
8



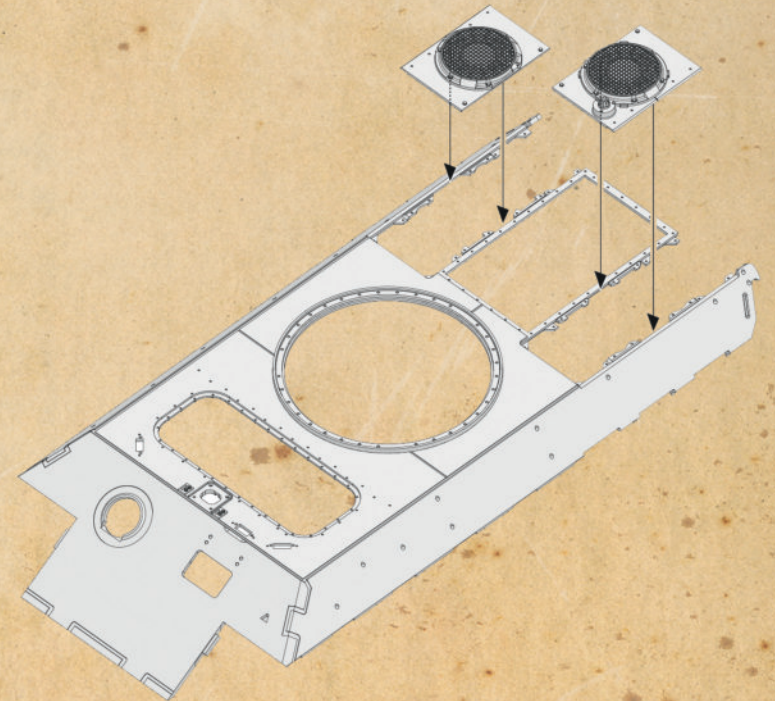
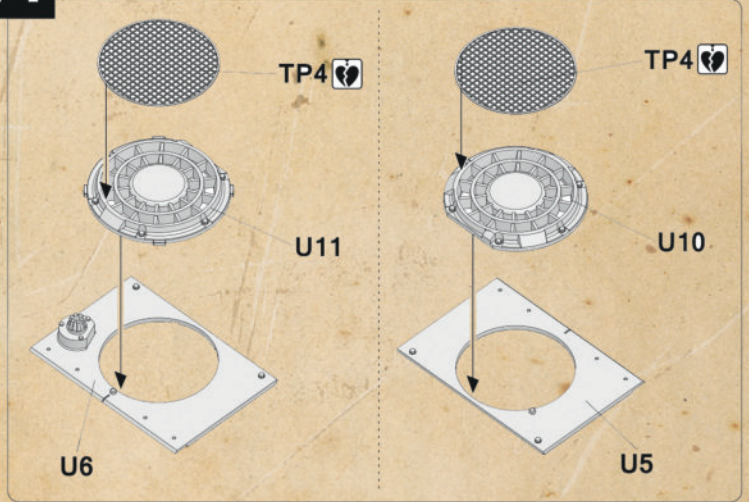
9



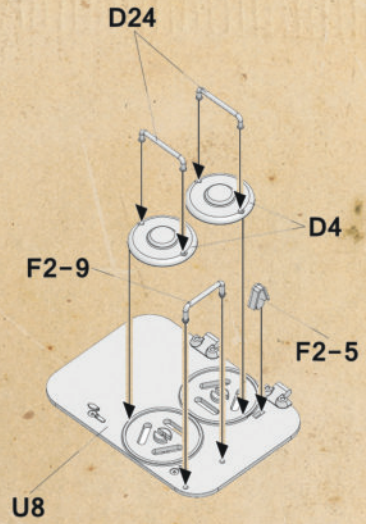
10



11



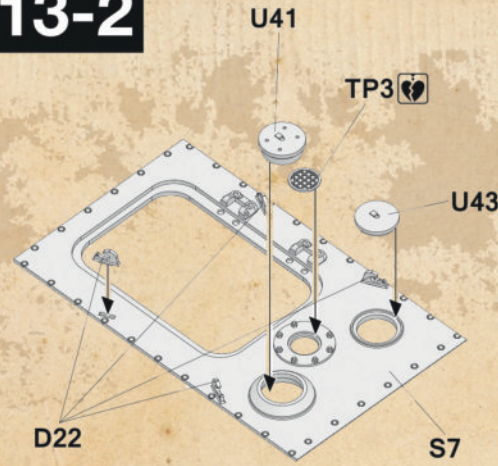
12



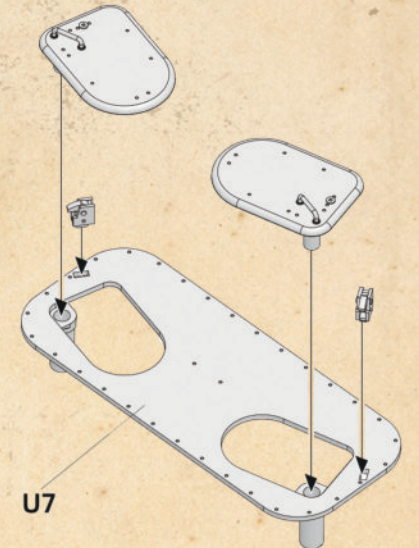
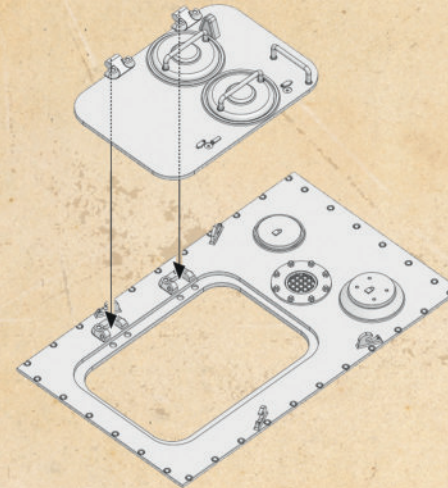
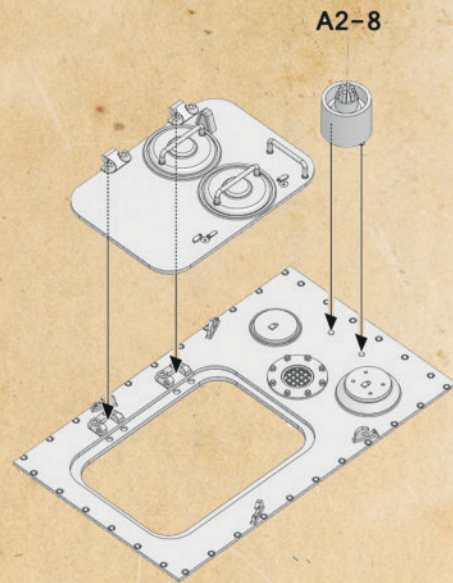
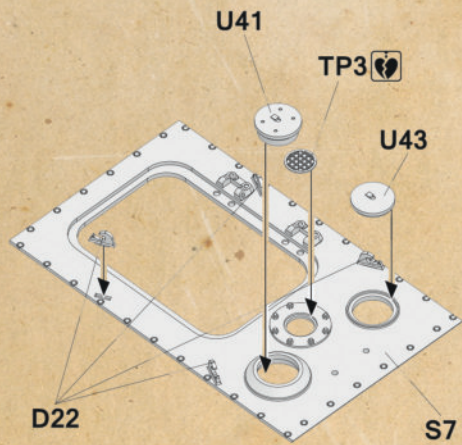
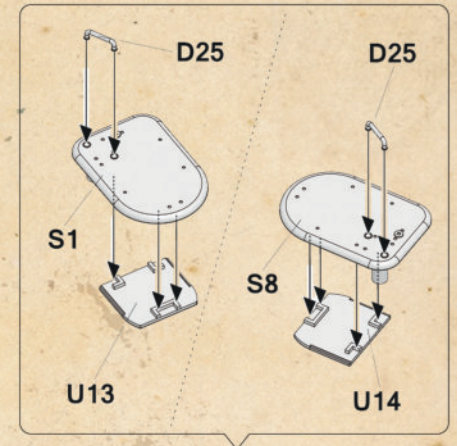
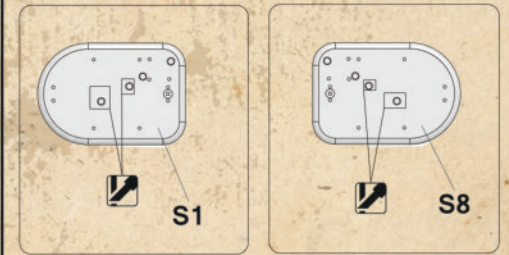
13-1



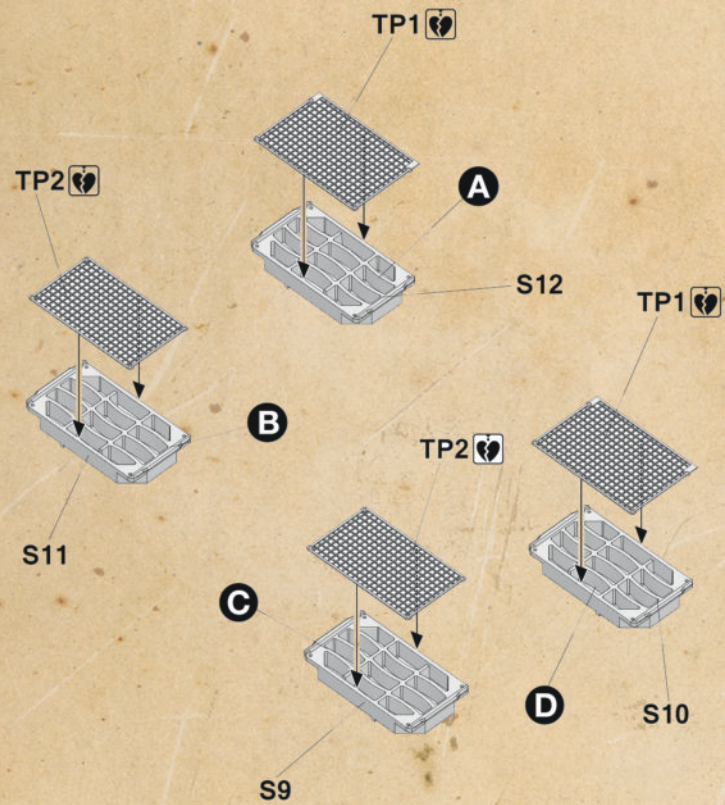
13-2



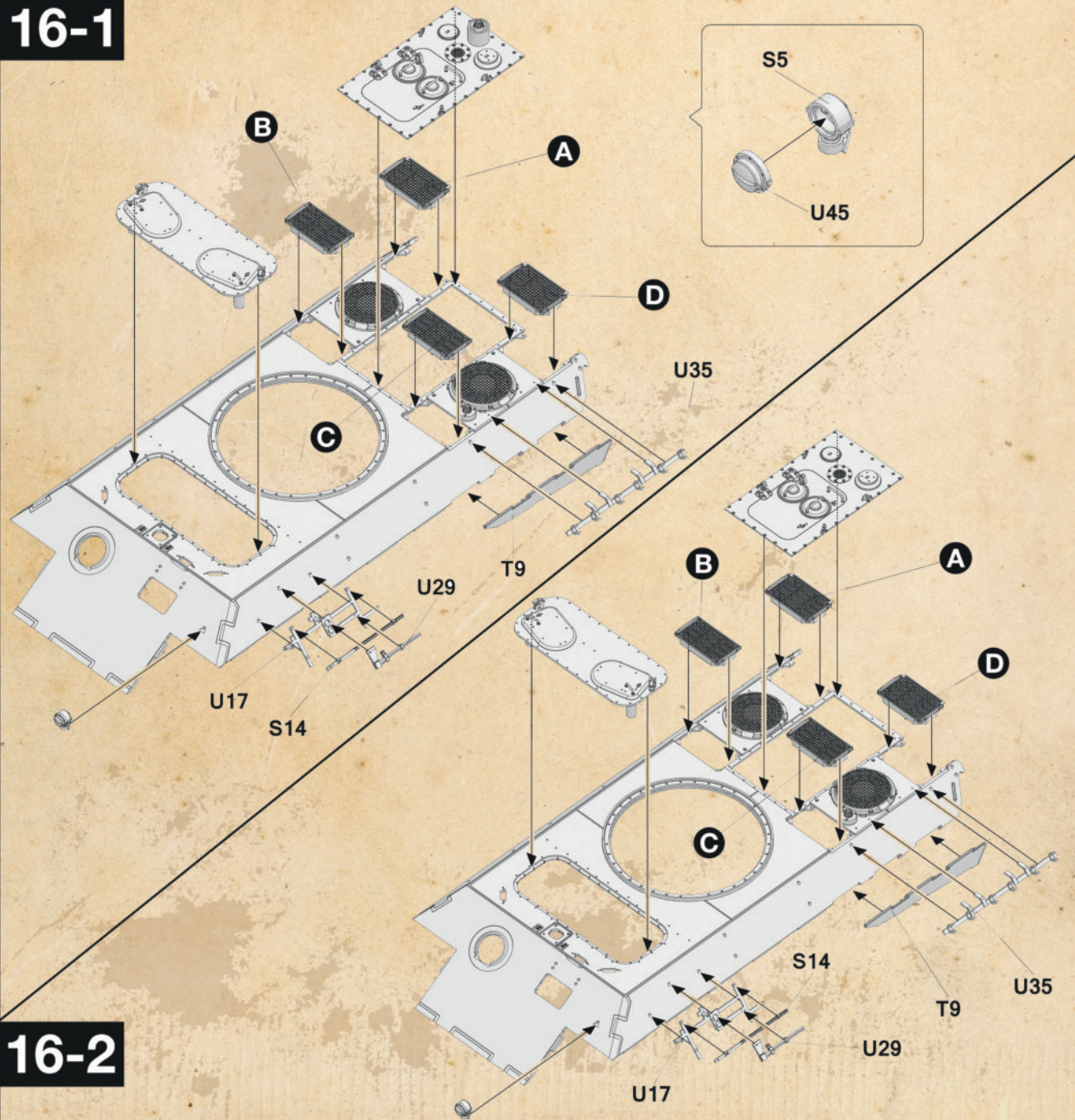
14



15

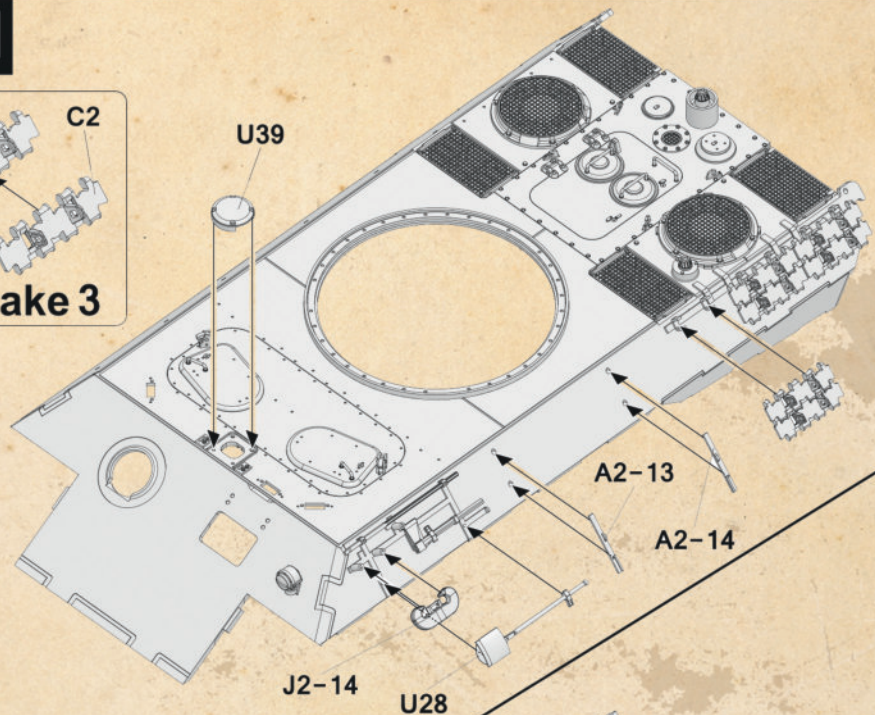
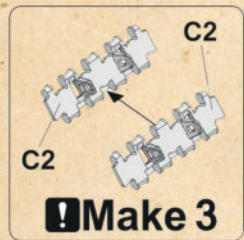


16-1

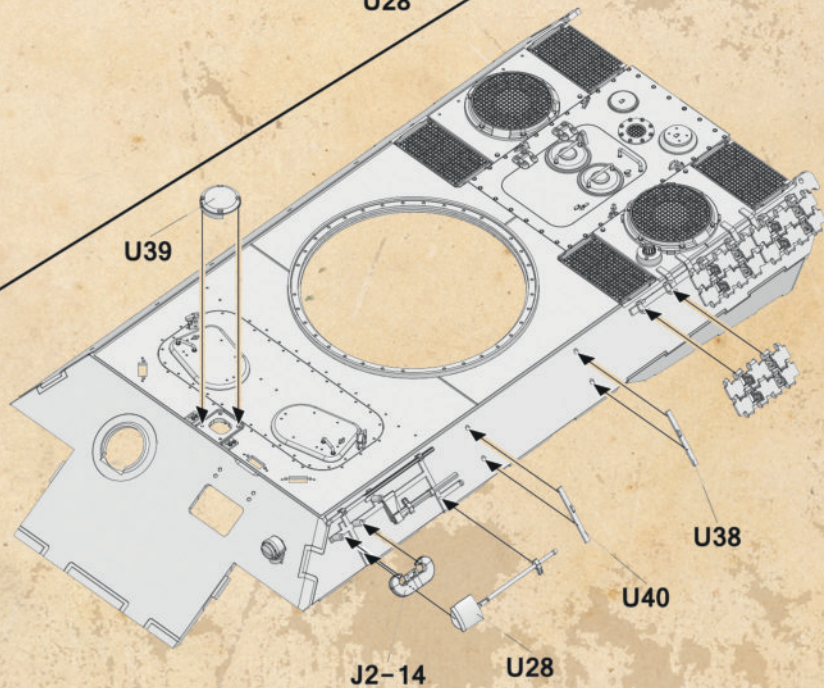


16-2

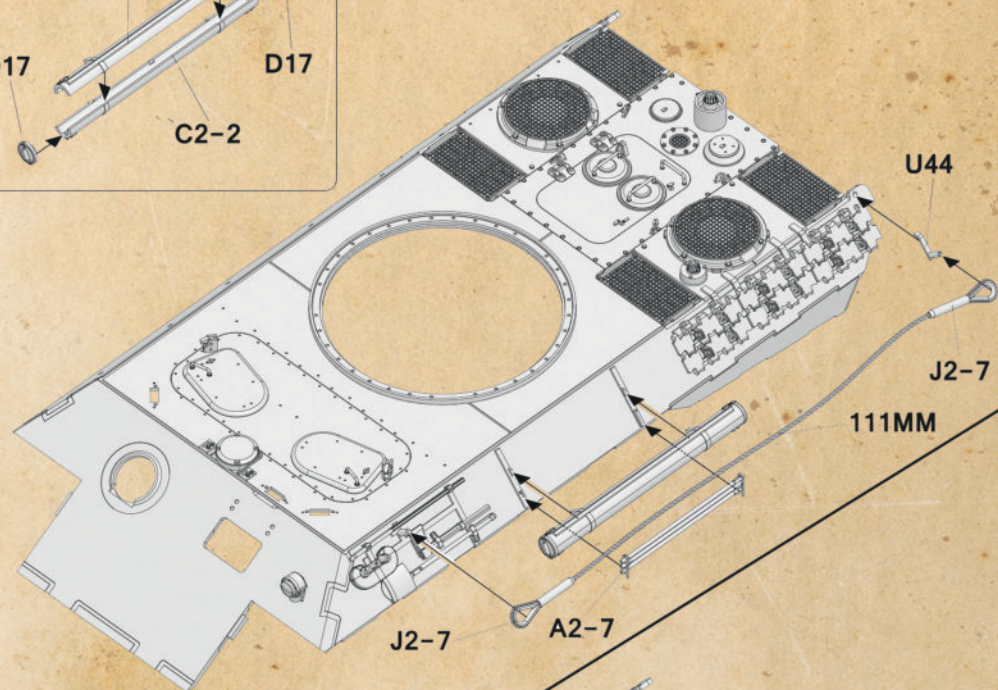
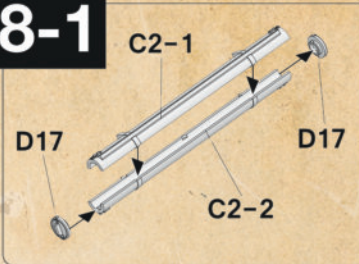
17-1



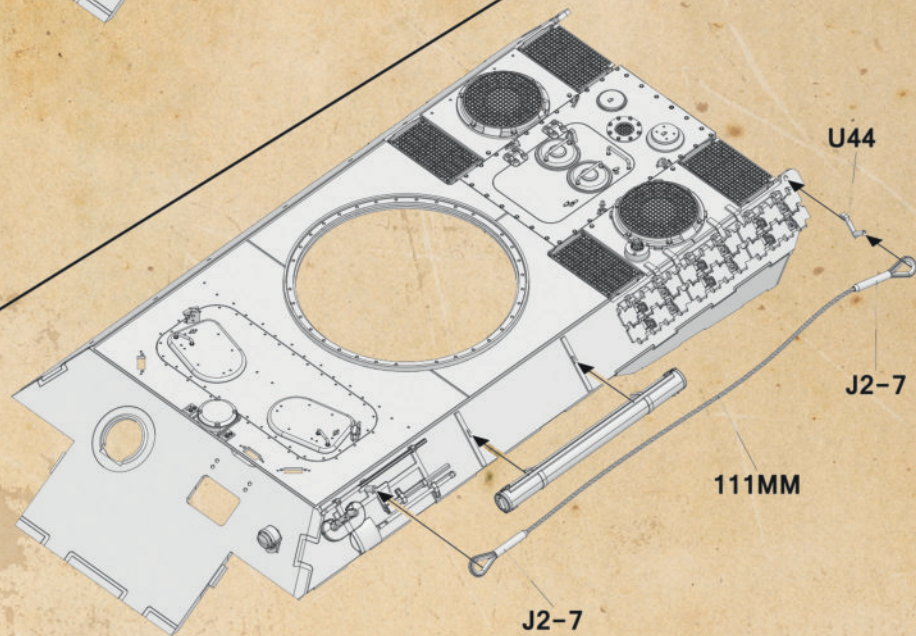
17-2



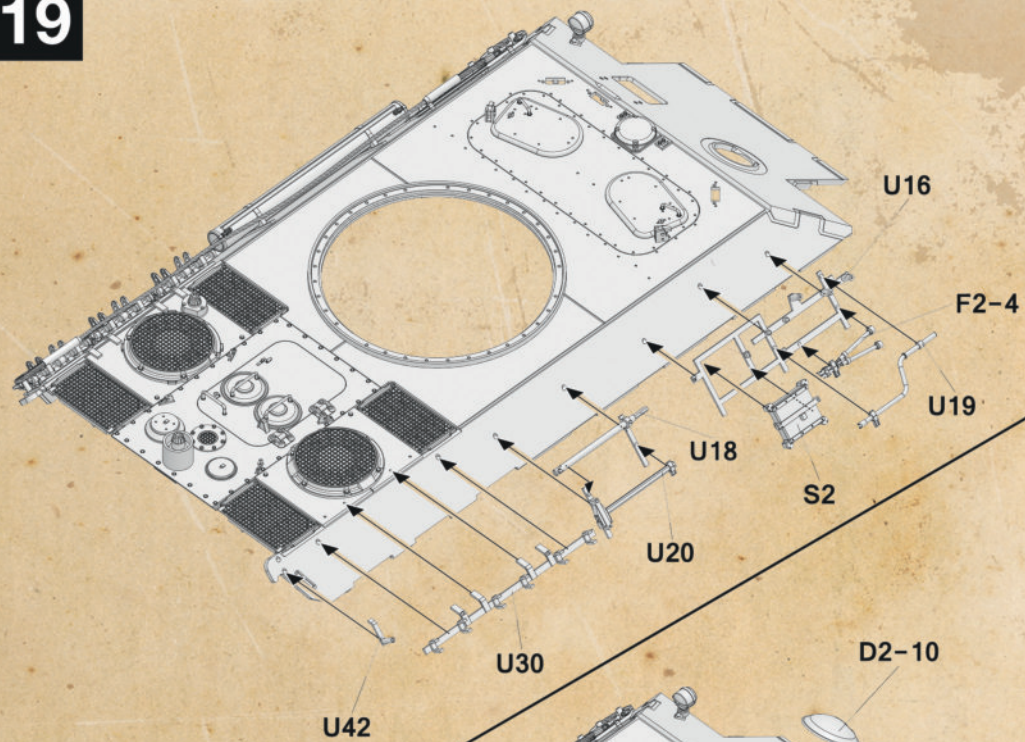
18-1



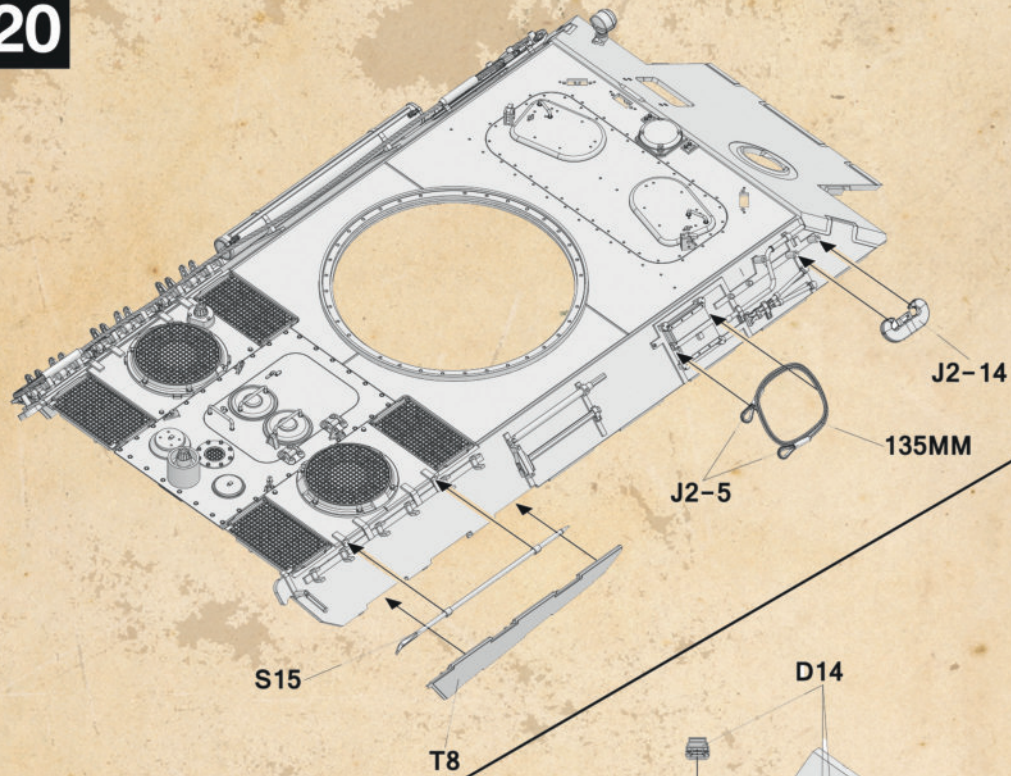
18-2



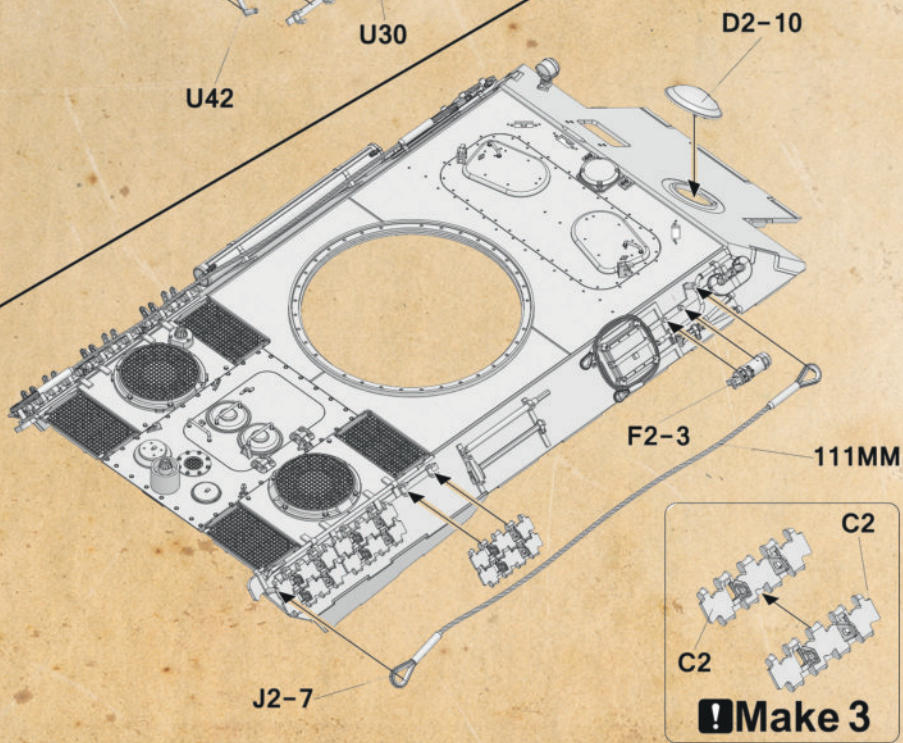
19



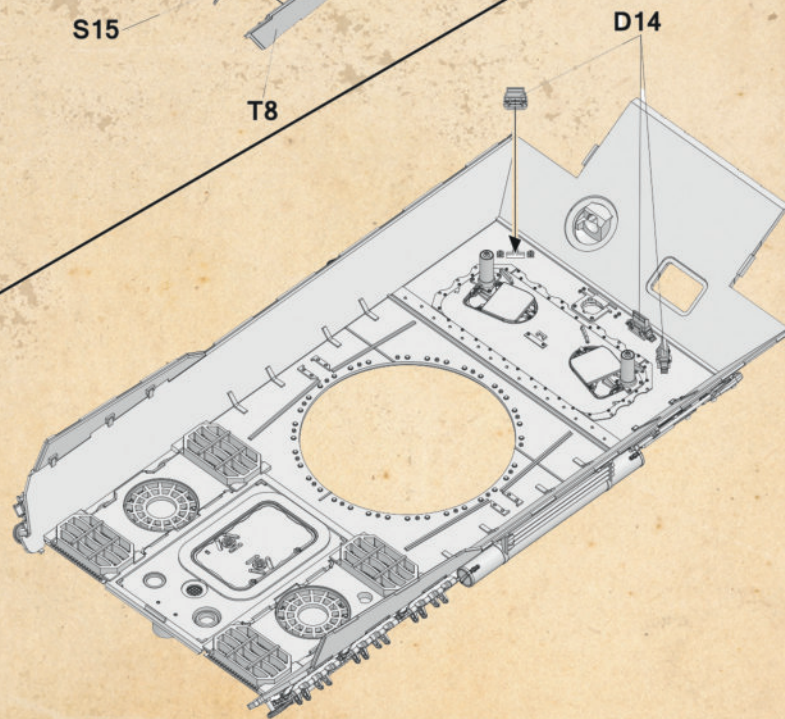
20

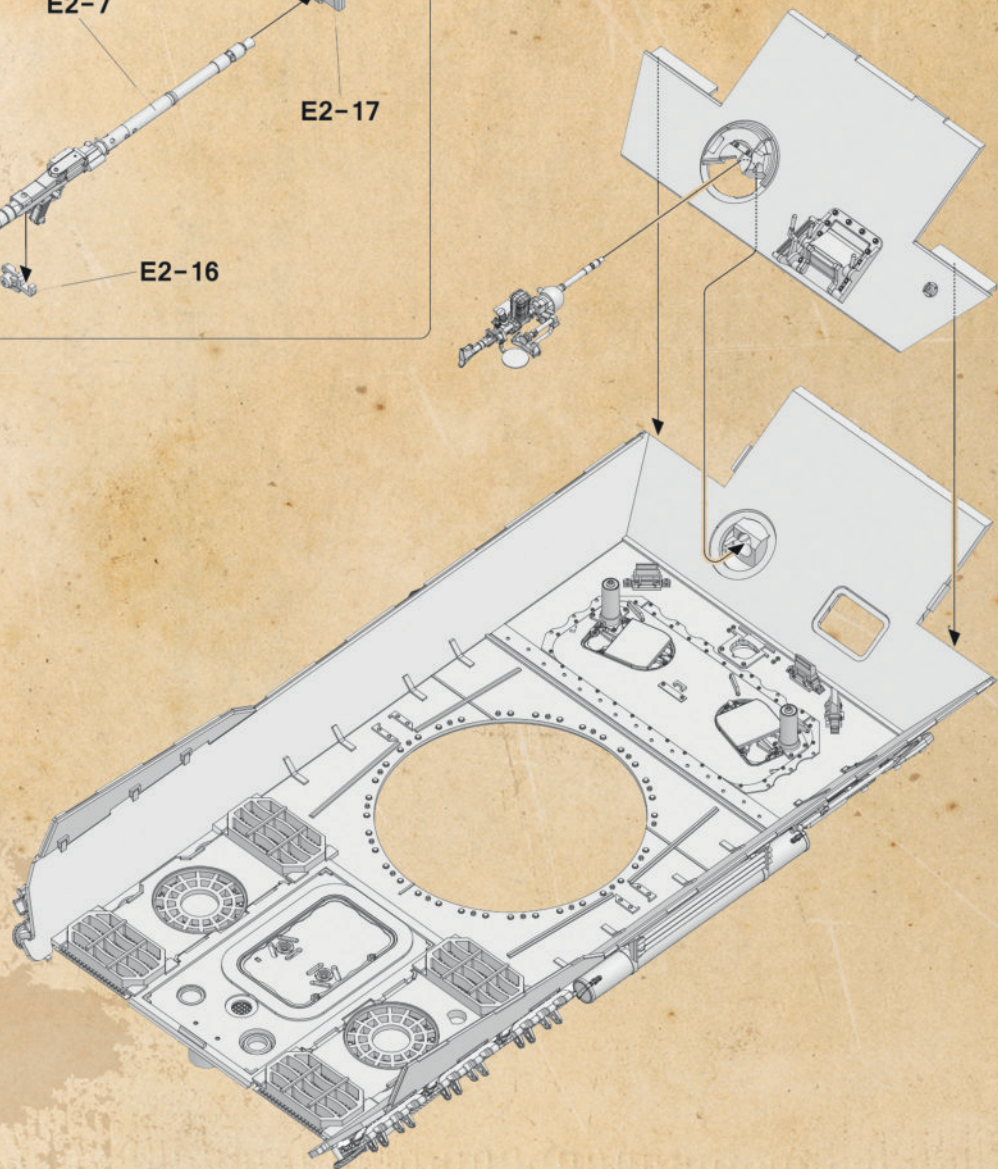
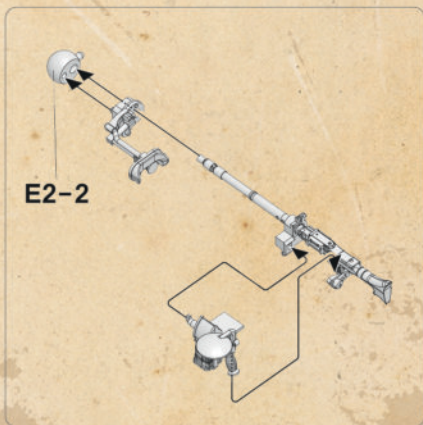
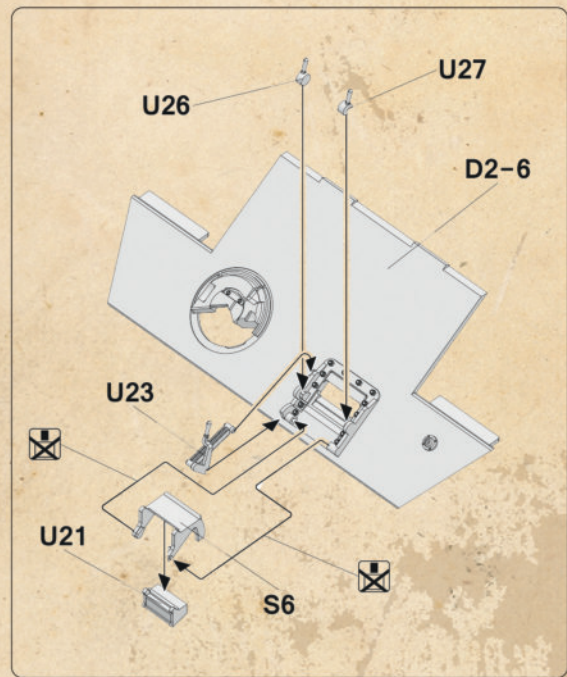
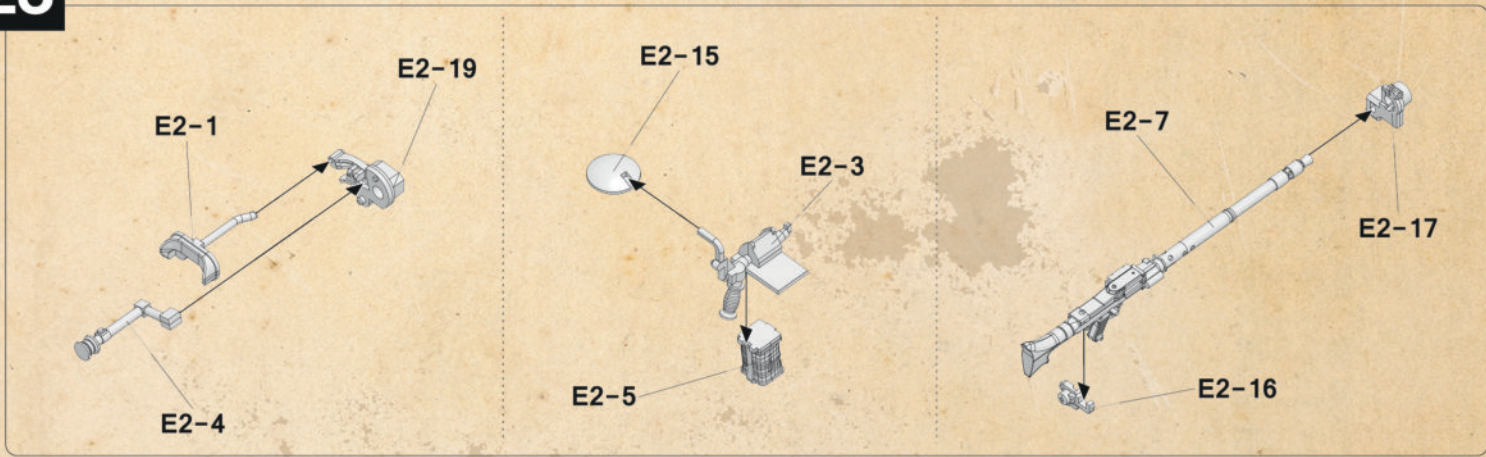


21

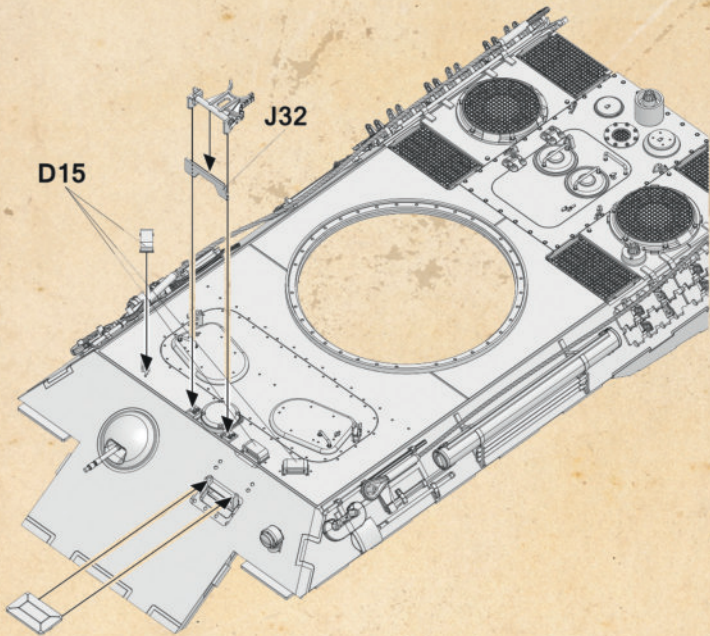
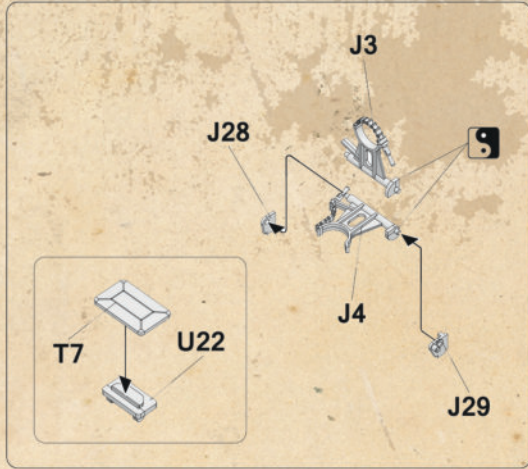


22

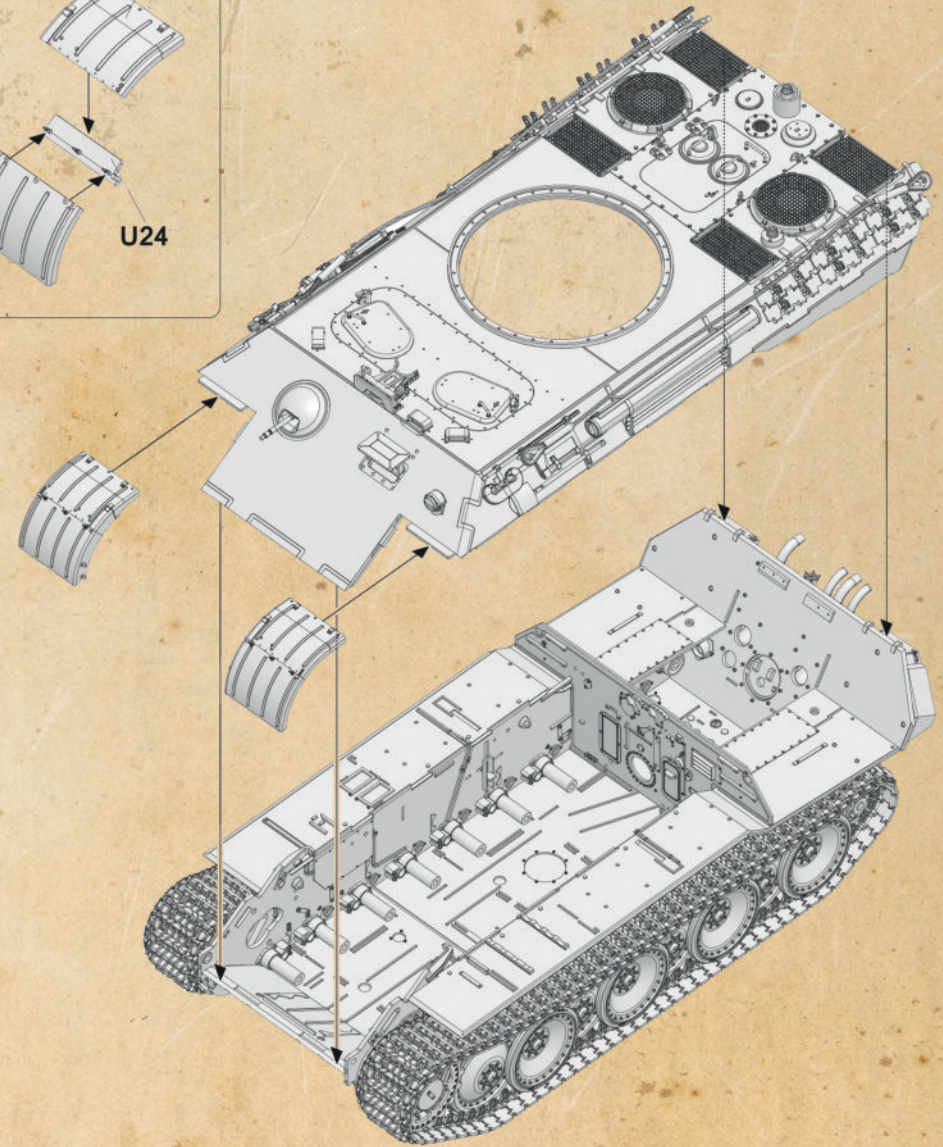
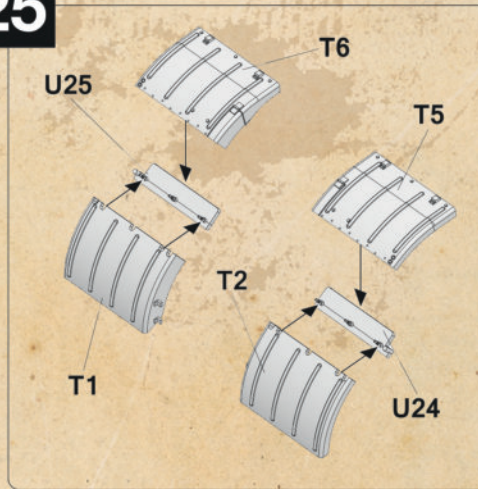




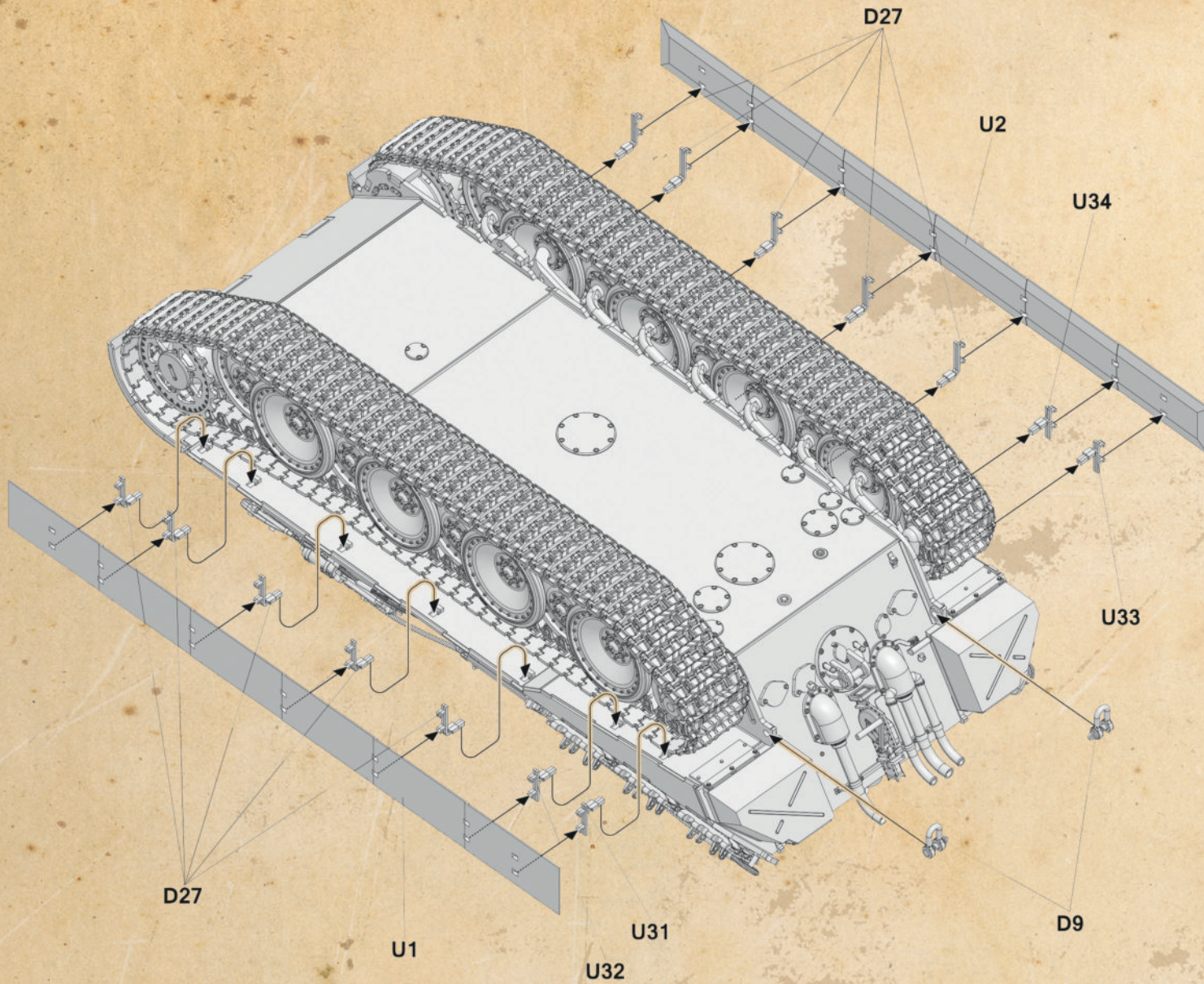
24



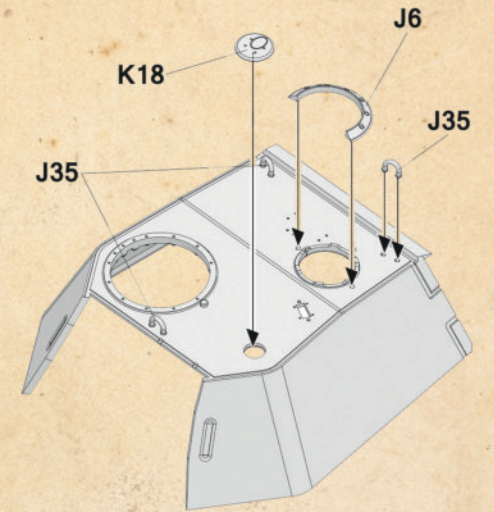
25



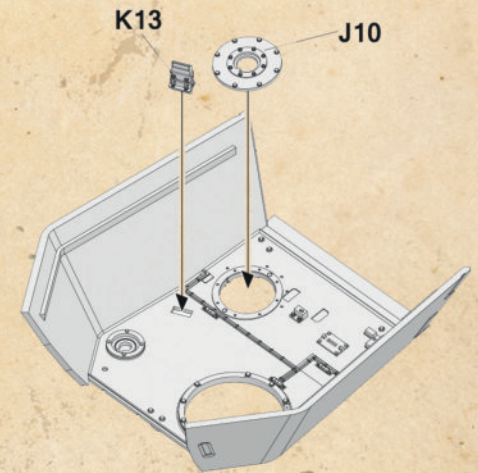
26



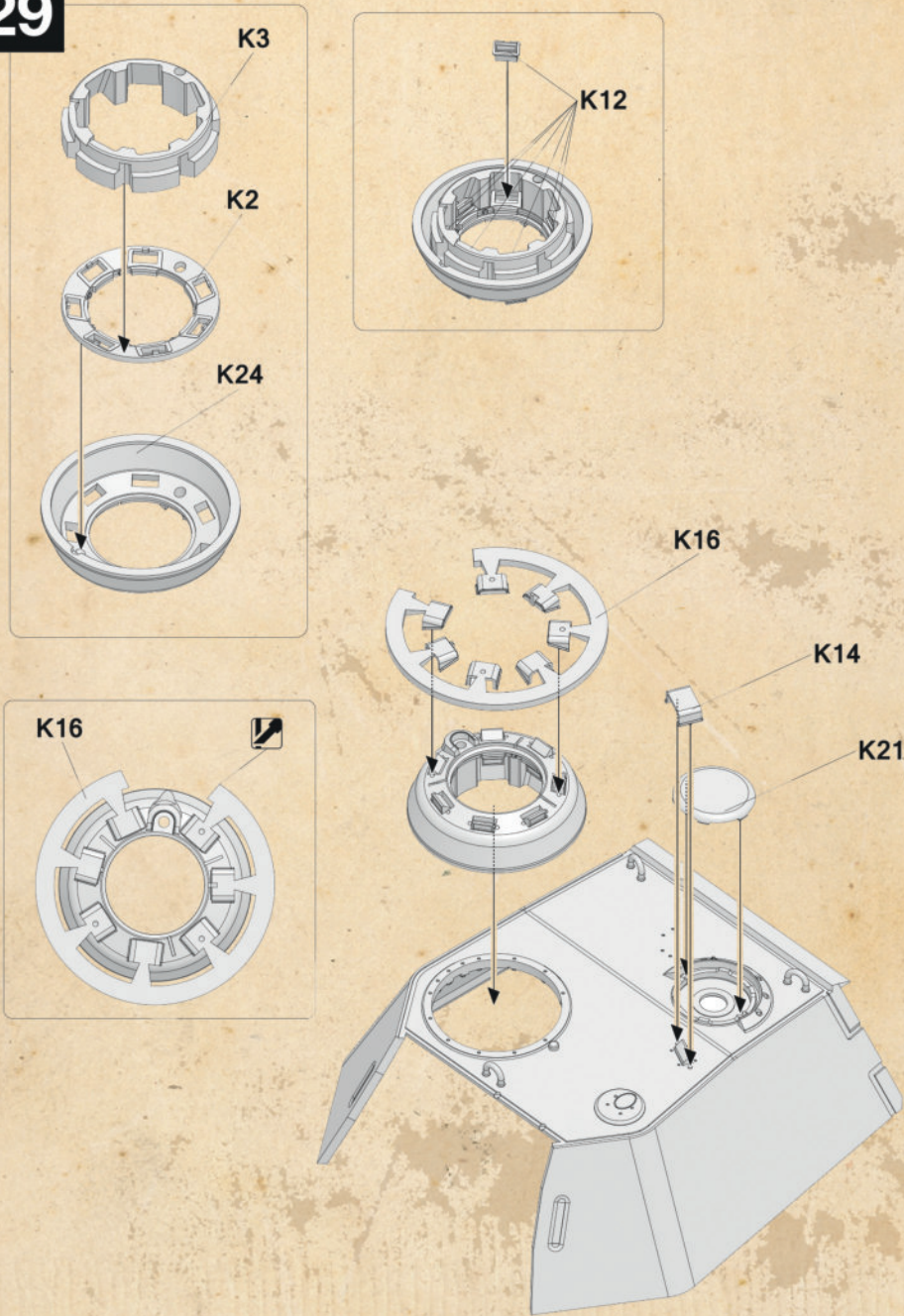
27



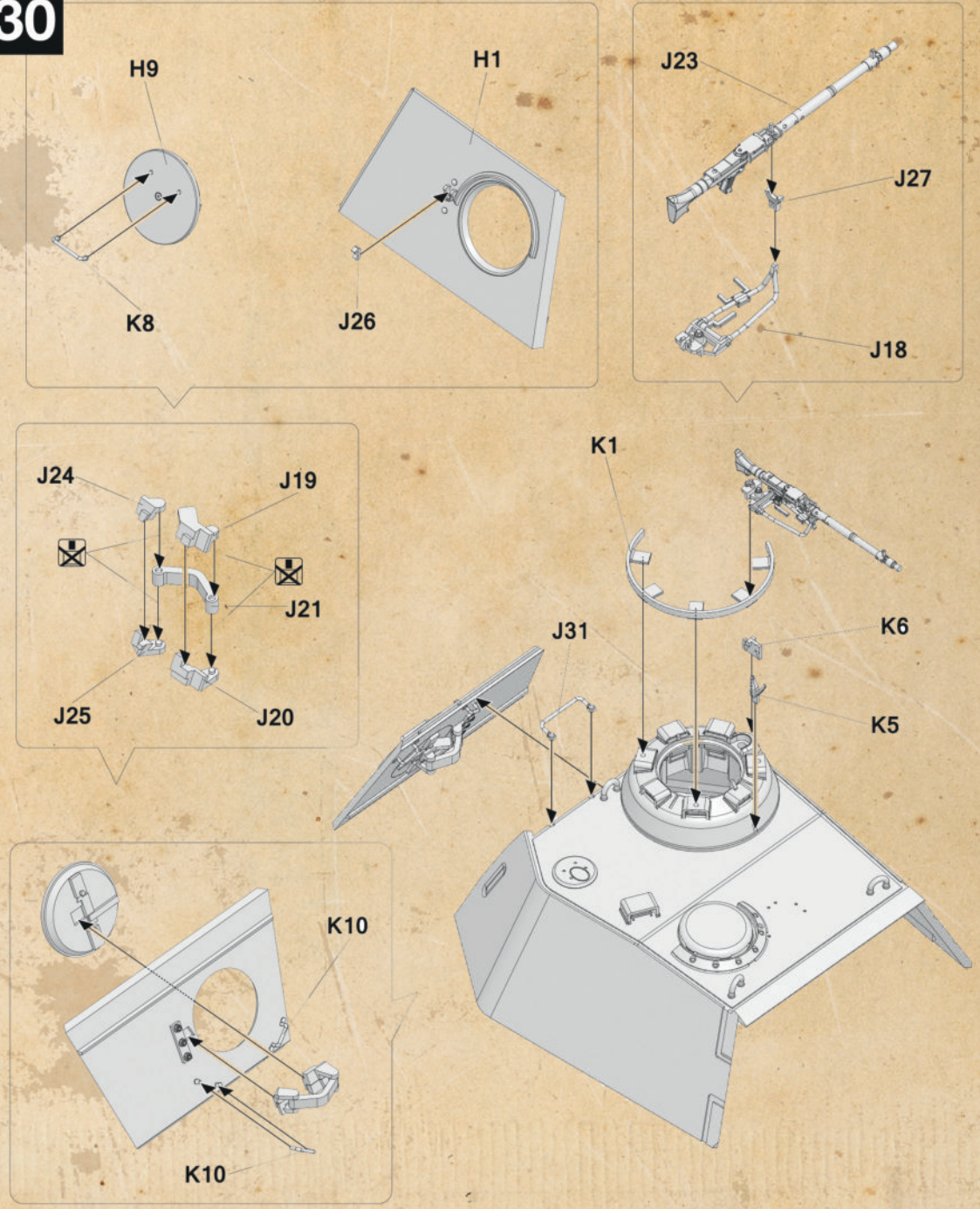
28



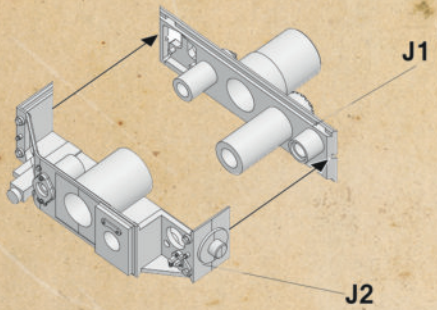
29



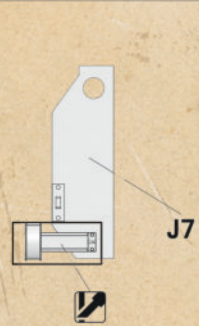
30



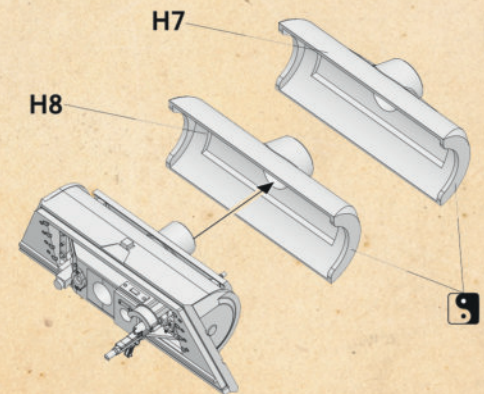
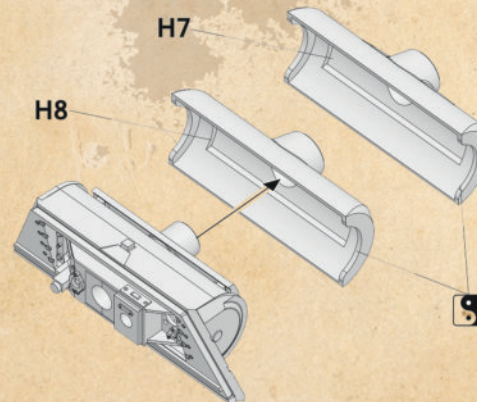
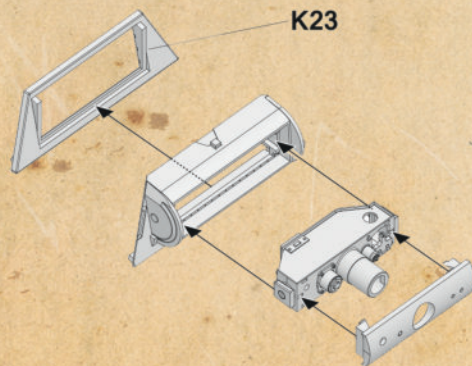
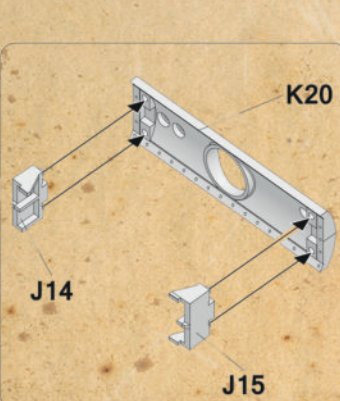
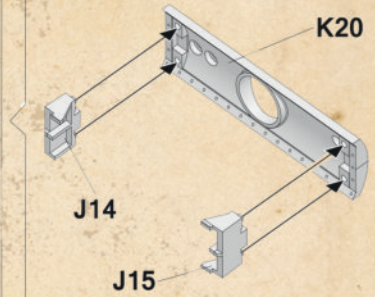
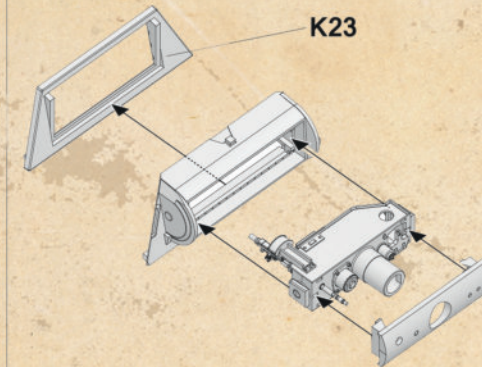
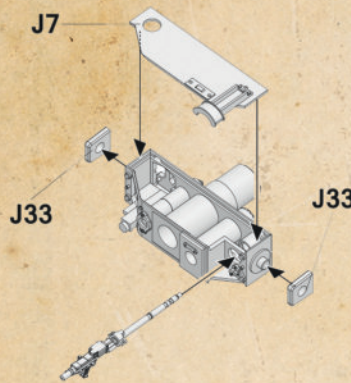
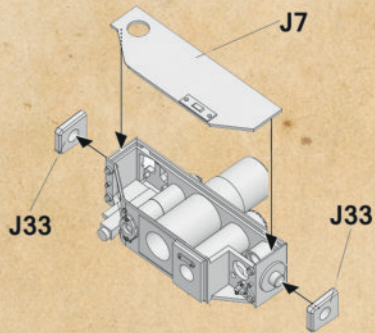
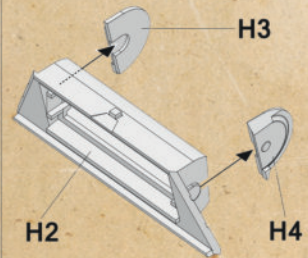
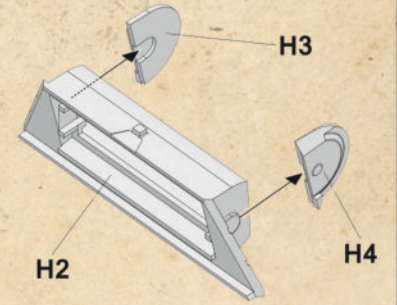
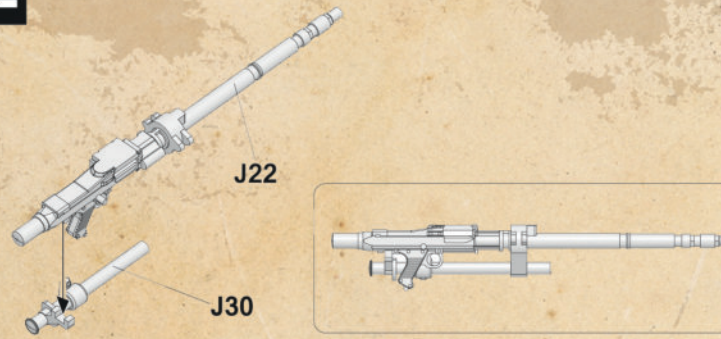
31



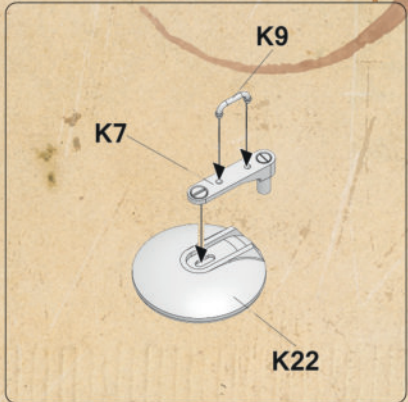
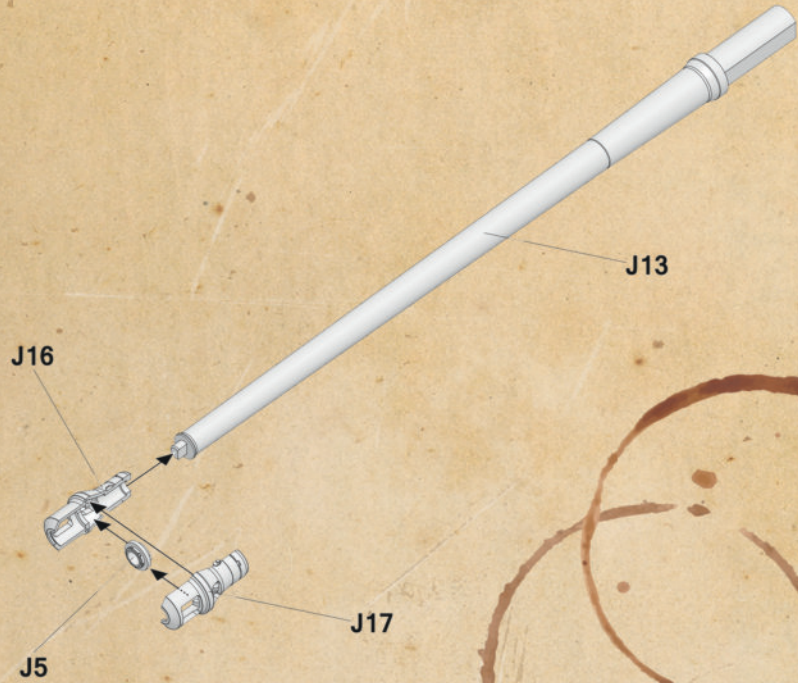
32-1



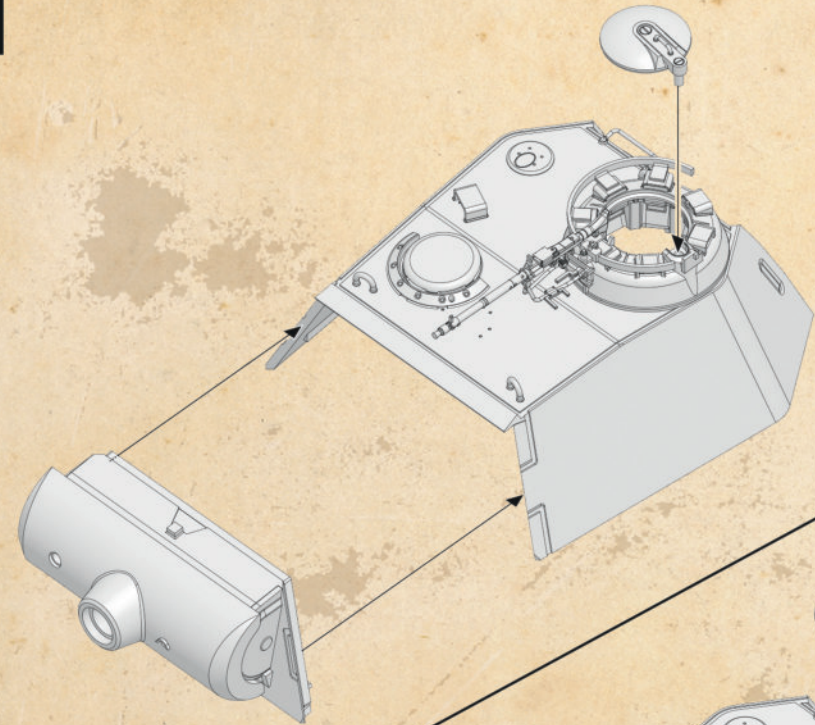
32-2



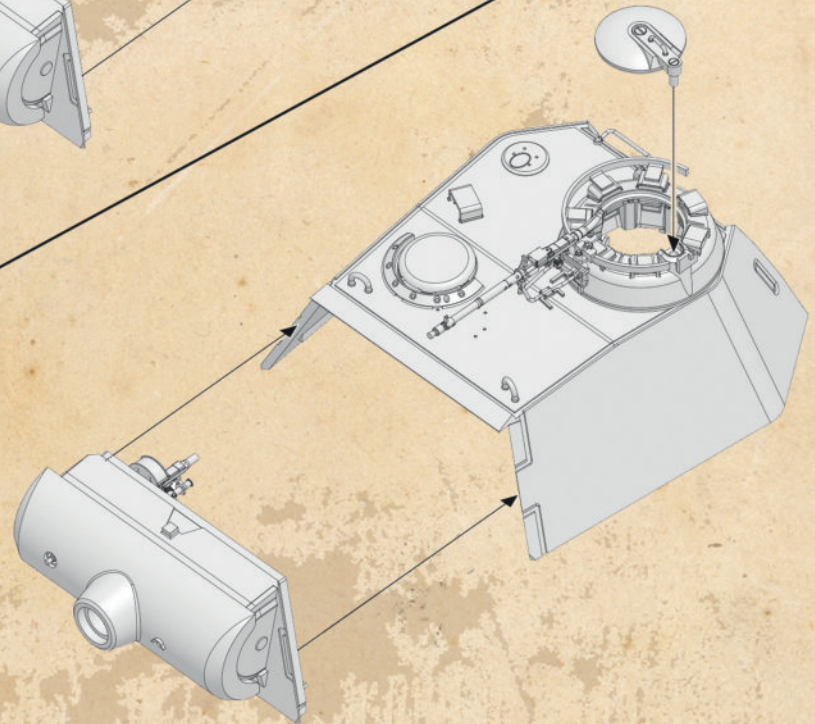
33



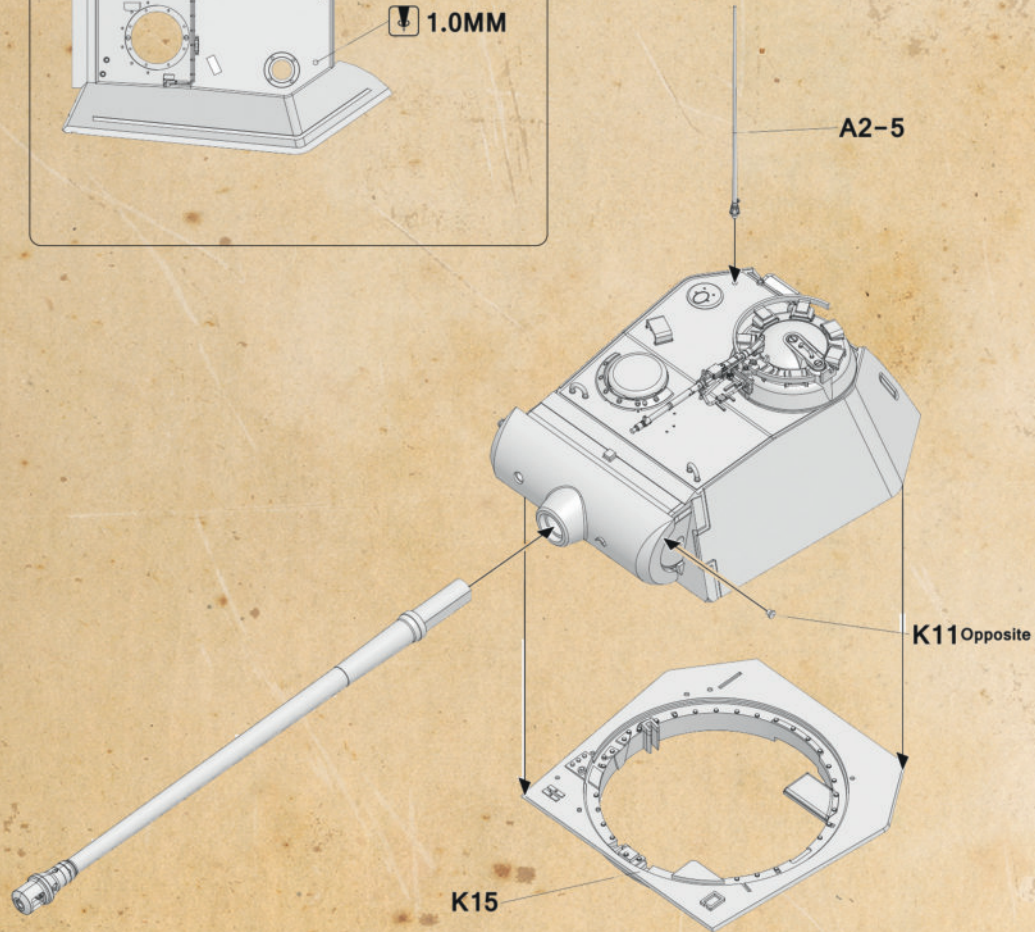
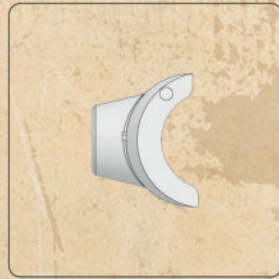
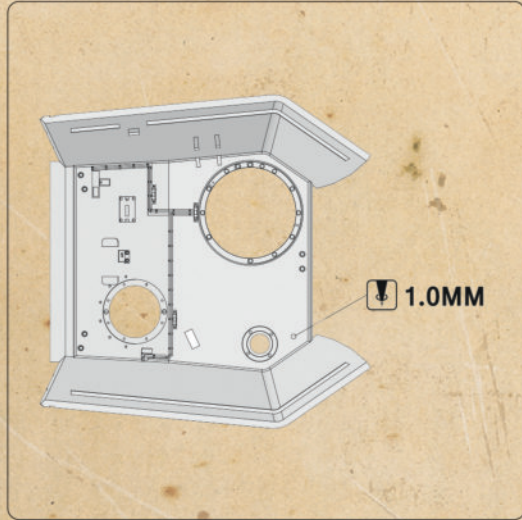
34-1



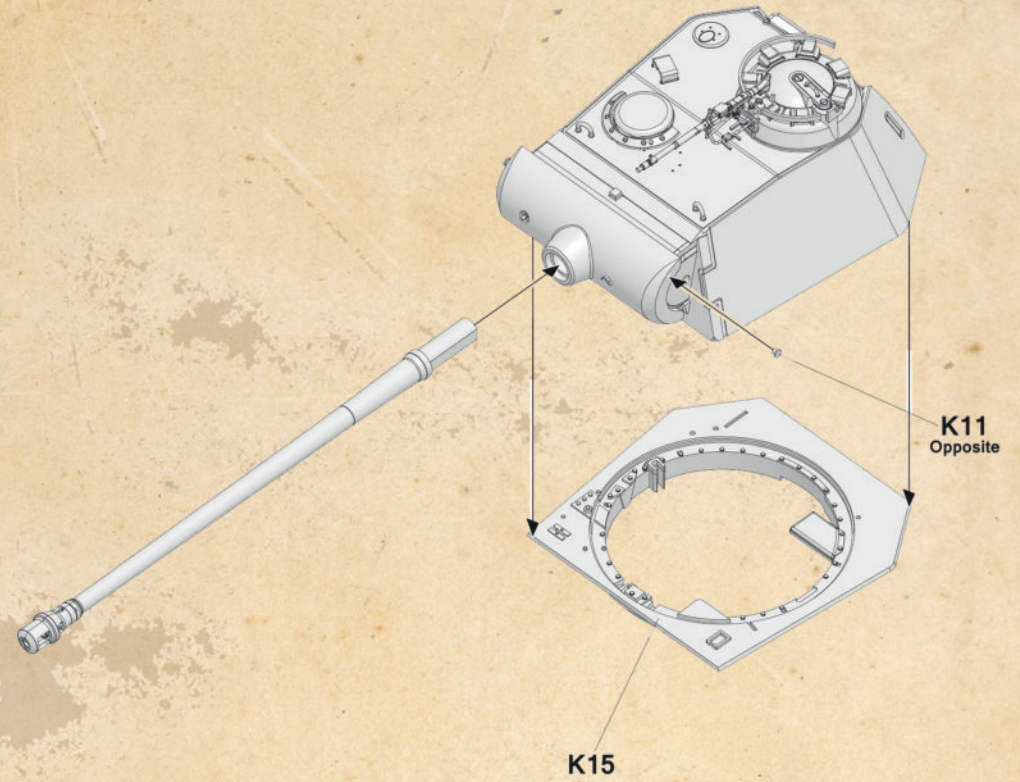
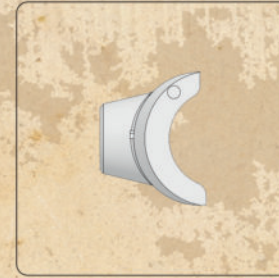
34-2



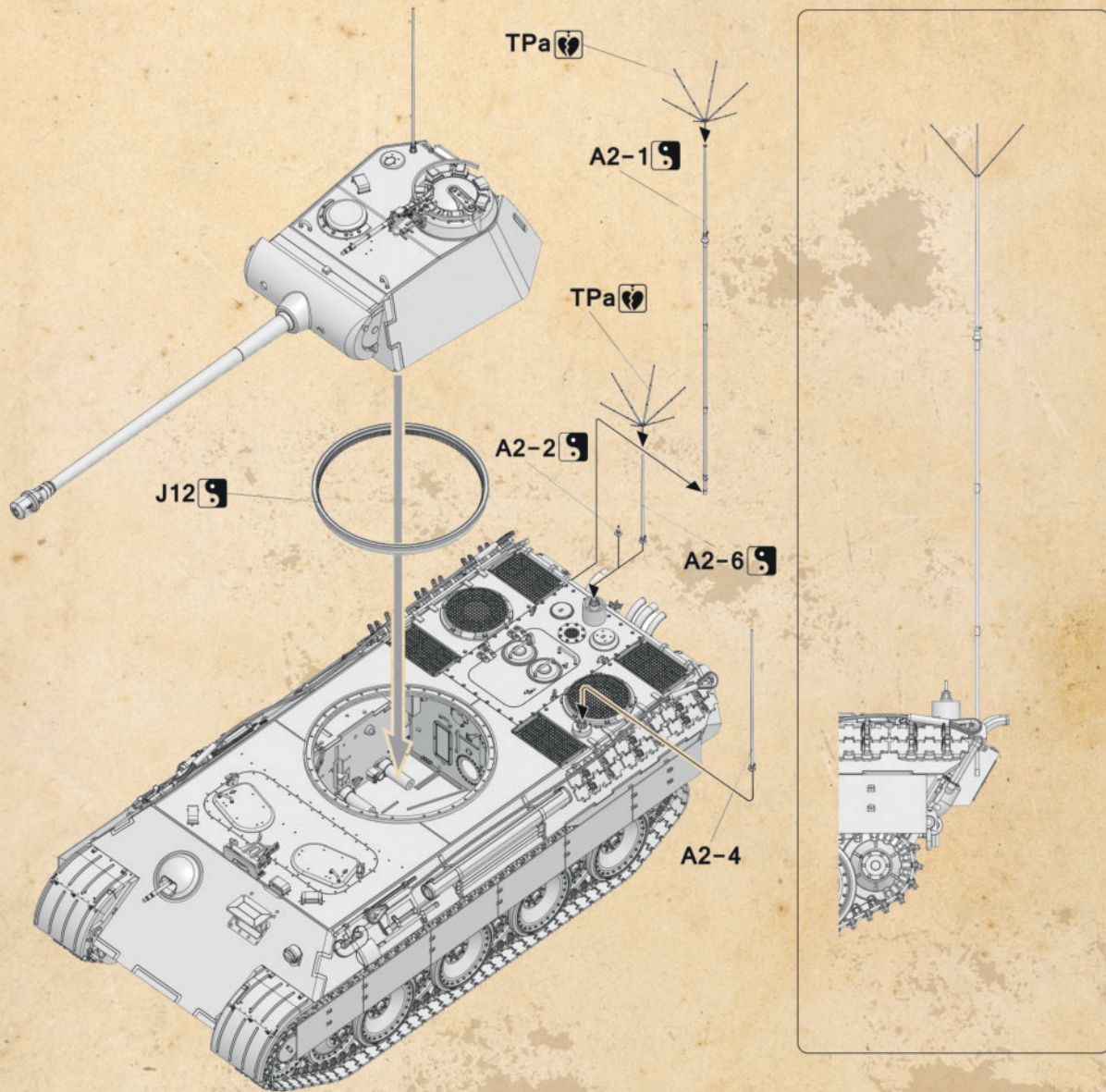
35-1



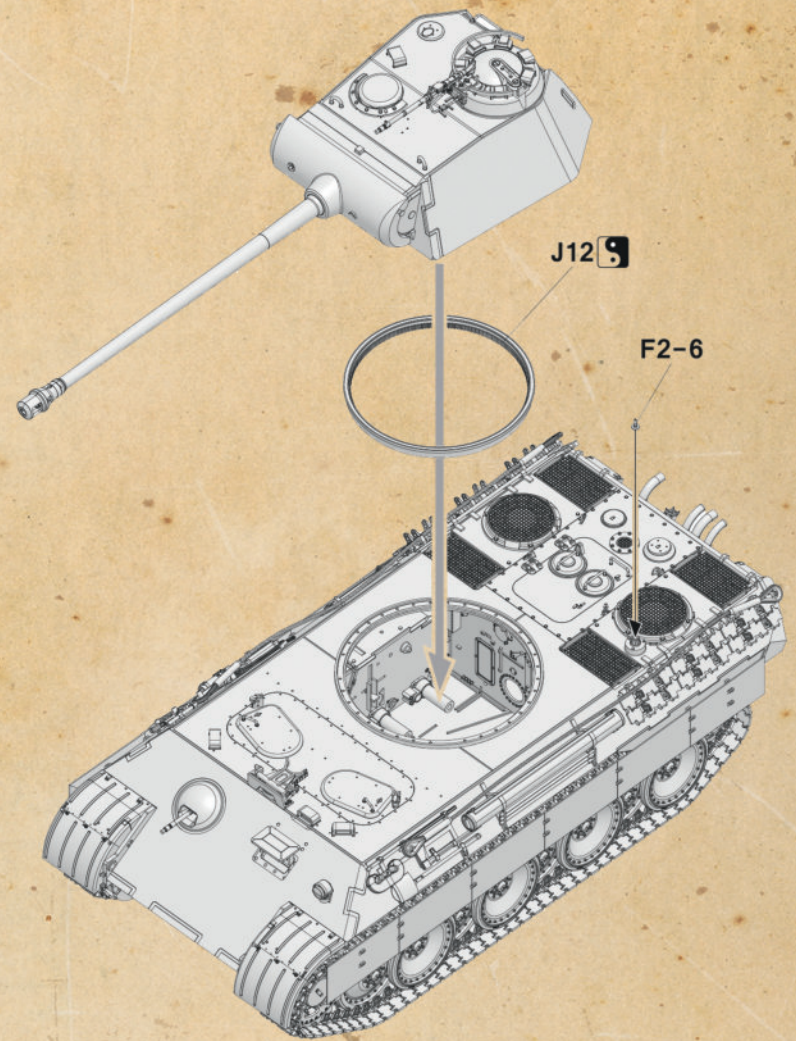
35-2



36-1



36-2



Painting and Marking Guide

Das Werk Ref: DW35011

Panther Ausf. A, late prod. (full interior) 2 in 1

Panzer Grenadier Division Grossdeutschland.

A.MIG 033	Rubber & Tires	A.MIG 035	Dark Tracks	A.MIG 036	Old Wood	A.MIG 038	Old Wood
A.MIG 040	Medium Rust	A.MIG 045	Gun Metal	A.MIG 093	Crystal Red	A.MIG 096	Crystal Periscope Green
A.MIG 002	Olivgrün Opt.2	A.MIG 010	Dunkelgelb Mid war	A.MIG 015	Schokobraun		



WEATHERING STEPS WITH AMMO PRODUCTS

- | | | | |
|--|--|---|--|
| 1 GENERAL WASH
A.MIG-1000 Brown Wash for German Yellow | 3 STREAKING
A.MIG-1203 Streaking Grime | 5 TRACK WASH
A.MIG-1002 Tracks Wash | 7 MUD
A.MIG-3007 Dark Earth
A.MIG-1752 Loose Ground |
| 2 FILTER
A.MIG-1510 Tone for 3 tone camo | 4 RUST
A.MIG-3510 Rust | 6 DUST
A.MIG-3013 Rubbel | |

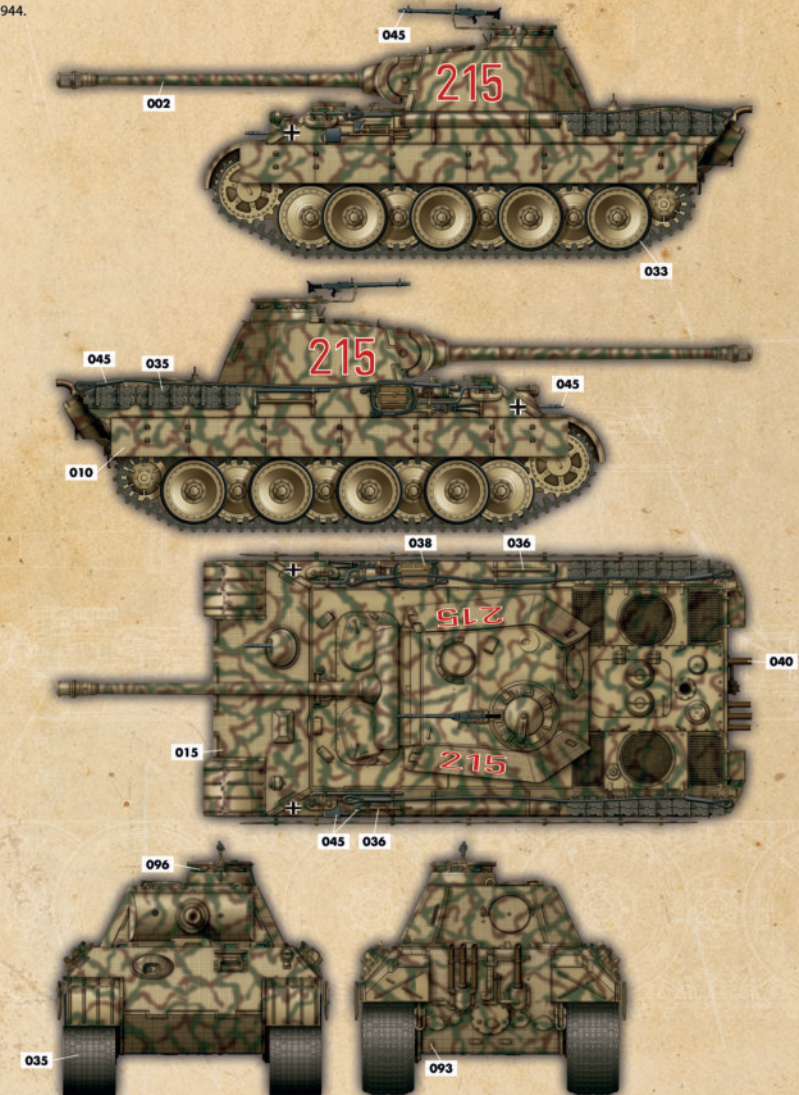
Painting and Marking Guide

Das Werk Ref: DW35011

Panther Ausf. A, late prod. 2 in 1

Normandy 1944.

A.MIG 033	Rubber & Tires	A.MIG 035	Dark Tracks	A.MIG 036	Old Wood	A.MIG 038	Old Wood
A.MIG 040	Medium Rust	A.MIG 045	Gun Metal	A.MIG 093	Crystal Red	A.MIG 096	Crystal Periscope Green
A.MIG 002	Olivgrün Opt.2	A.MIG 010	Dunkelgelb Mid war	A.MIG 015	Schokobraun		



WEATHERING STEPS WITH AMMO PRODUCTS

- | | | | |
|--|--|---|--|
| 1 GENERAL WASH
A.MIG-1000 Brown Wash for German Yellow | 3 STREAKING
A.MIG-1203 Streaking Grime | 5 TRACK WASH
A.MIG-1002 Tracks Wash | 7 MUD
A.MIG-3007 Dark Earth
A.MIG-1752 Loose Ground |
| 2 FILTER
A.MIG-1510 Tone for 3 tone camo | 4 RUST
A.MIG-3510 Rust | 6 DUST
A.MIG-3013 Rubbel | |



Panther A late

www.migjimenez.com



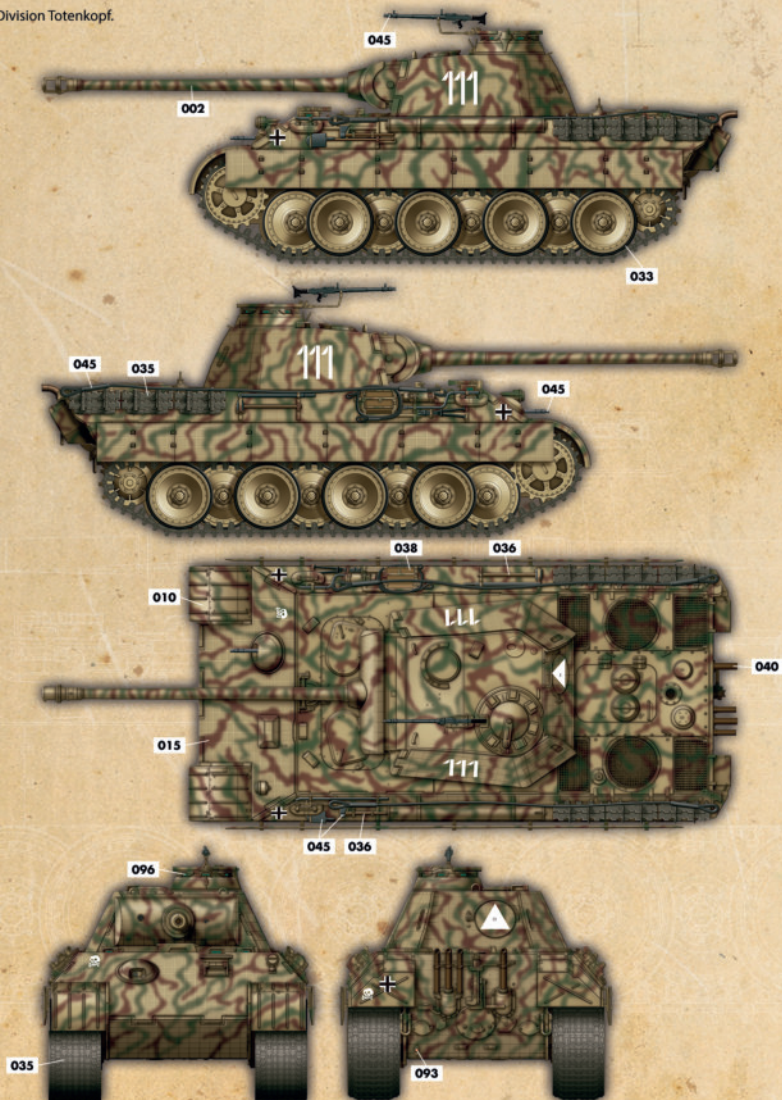
Painting and Marking Guide

A.MIG 033	Rubber & Tires	A.MIG 035	Dark Tracks	A.MIG 036	Old Wood	A.MIG 038	Old Wood
A.MIG 040	Medium Rust	A.MIG 045	Gun Metal	A.MIG 093	Crystal Red	A.MIG 096	Crystal Periscope Green
A.MIG 002	Olivgrün Opt.2	A.MIG 010	Dunkelgelb Mid war	A.MIG 015	Schokobraun		

Das Werk Ref: DW35011

Panther Ausf. A, late prod. 2 in 1

3rd SS Panzer Division Totenkopf.



WEATHERING STEPS WITH AMMO PRODUCTS

- | | | | |
|--|--|---|--|
| 1 GENERAL WASH
A.MIG-1000 Brown Wash for German Yellow | 3 STREAKING
A.MIG-1203 Streaking Grime | 5 TRACK WASH
A.MIG-1002 Tracks Wash | 7 MUD
A.MIG-3007 Dark Earth
A.MIG-1752 Loose Ground |
| 2 FILTER
A.MIG-1510 Tone for 3 tone camo | 4 RUST
A.MIG-3510 Rust | 6 DUST
A.MIG-3013 Rubbel | |



Panther A late

www.migjimenez.com



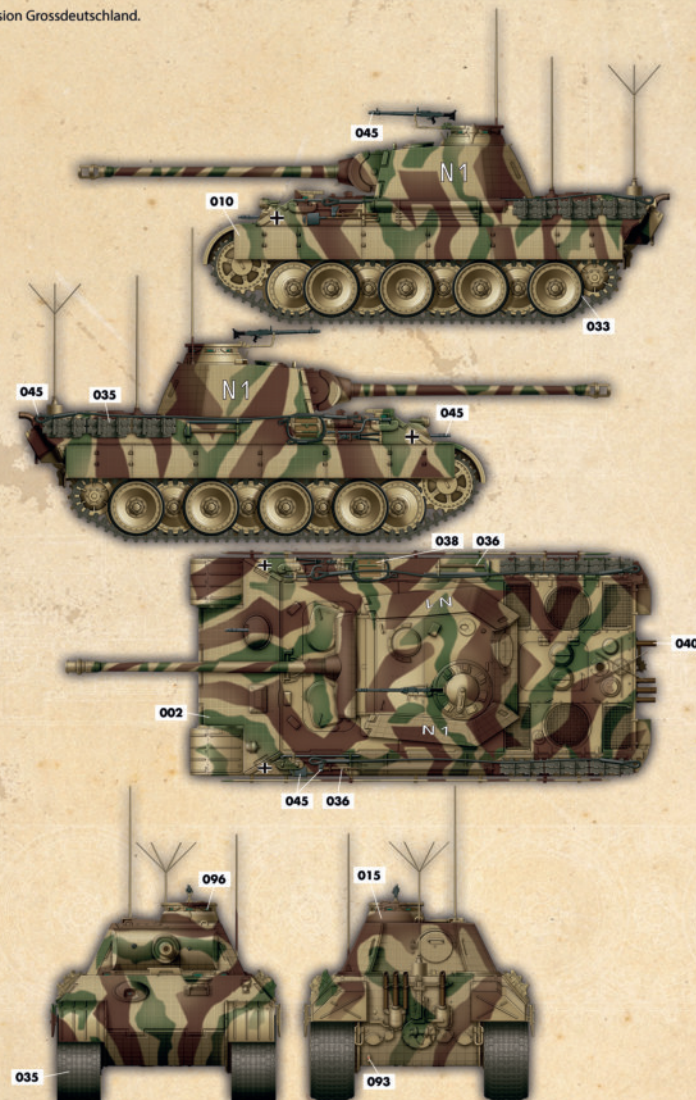
Painting and Marking Guide

A.MIG 033	Rubber & Tires	A.MIG 035	Dark Tracks	A.MIG 036	Old Wood	A.MIG 038	Old Wood
A.MIG 040	Medium Rust	A.MIG 045	Gun Metal	A.MIG 093	Crystal Red	A.MIG 096	Crystal Periscope Green
A.MIG 002	Olivgrün Opt.2	A.MIG 010	Dunkelgelb Mid war	A.MIG 015	Schokobraun		

Das Werk Ref: DW35011

Panther Ausf. A, late prod. 2 in 1

Panzer Grenadier Division Grossdeutschland.



WEATHERING STEPS WITH AMMO PRODUCTS

- | | | | |
|--|--|---|--|
| 1 GENERAL WASH
A.MIG-1000 Brown Wash for German Yellow | 3 STREAKING
A.MIG-1203 Streaking Grime | 5 TRACK WASH
A.MIG-1002 Tracks Wash | 7 MUD
A.MIG-3007 Dark Earth
A.MIG-1752 Loose Ground |
| 2 FILTER
A.MIG-1510 Tone for 3 tone camo | 4 RUST
A.MIG-3510 Rust | 6 DUST
A.MIG-3013 Rubbel | |

Also available from DAS WERK

DAS WERK
IN COOPERATION WITH CUSTOMSCALE

FAUN L 900
INCLUDING
SdAh-115

100%
DAS WERK
PRODUCTION

1/35
DW 35003

- Highly Detailed Static Plastic Model
- Moving Features Allowing Accurate Representation
- Painted Brass Fittings Including Steering Axle for Weight Realism
- 800 Front Suspension Springs Allow for a Loaded and Loaded State
- Soft Top Version Allowing Presentation in Various Weather Conditions and Seasons

JASON 2018

DAS WERK
IN COOPERATION WITH CUSTOMSCALE

3cm Flakvierling 103/38

100%
DAS WERK
PRODUCTION

1/35
DW 35004

- Highly detailed static plastic model
- Flexible gun elevation system
- Weapon 360 degrees rotatable
- Separate ammo and ammo drums
- Super detailed muzzle brakes

JASON 2018

DAS WERK

PzKpfw.V Panther A early
w/o interior

233

1/35
DW 35009

- Highly detailed static plastic model
- No interior parts, no Zimmerit, no figure included
- Link and length plastic tracks
- Hatches can be built open/closed
- PE parts included

JASON 2018

IN COOPERATION WITH **TAKOM**

DAS WERK

PzKpfw.V Panther A early/mid
w/o interior

1/35
DW 35010

- Highly detailed static plastic model
- No interior parts, no Zimmerit, no figure included
- Link and length plastic tracks
- Hatches can be built open/closed
- Buildable as early or medium version

JASON 2018

IN COOPERATION WITH **TAKOM**

The background of the image is a light beige, aged paper with a faint, large-scale architectural floor plan. The plan shows various rooms, corridors, and circular features, possibly representing a historical building or a specific site. The lines of the plan are thin and light grey, blending into the paper's texture.

Das Werk

www.das-werk-models.com