

P-38J Lightning



The P-38 was developed just before WWII for the United States Army Air Force. It remained in production throughout most of the war due to the versatile design that combined high-speed performance, heavy firepower and long range. Used extensively in both Europe and the Pacific, the P-38 was the aircraft flown by the highest scoring ace of the United States.

This new 1/48 kit features recessed panel lines, detailed cockpit and 2 all new marking options depicting aircraft operating from bases in England that flew missions over German occupied Europe in 1944 and 1945.

This Minicraft kit offers markings for the following aircraft:

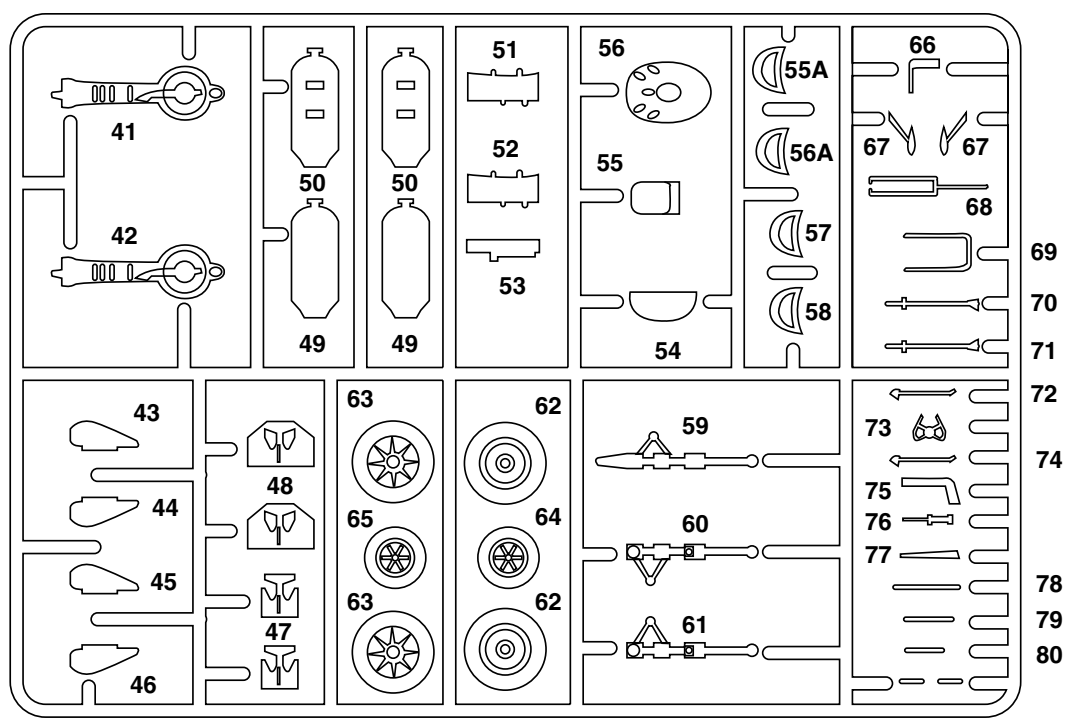
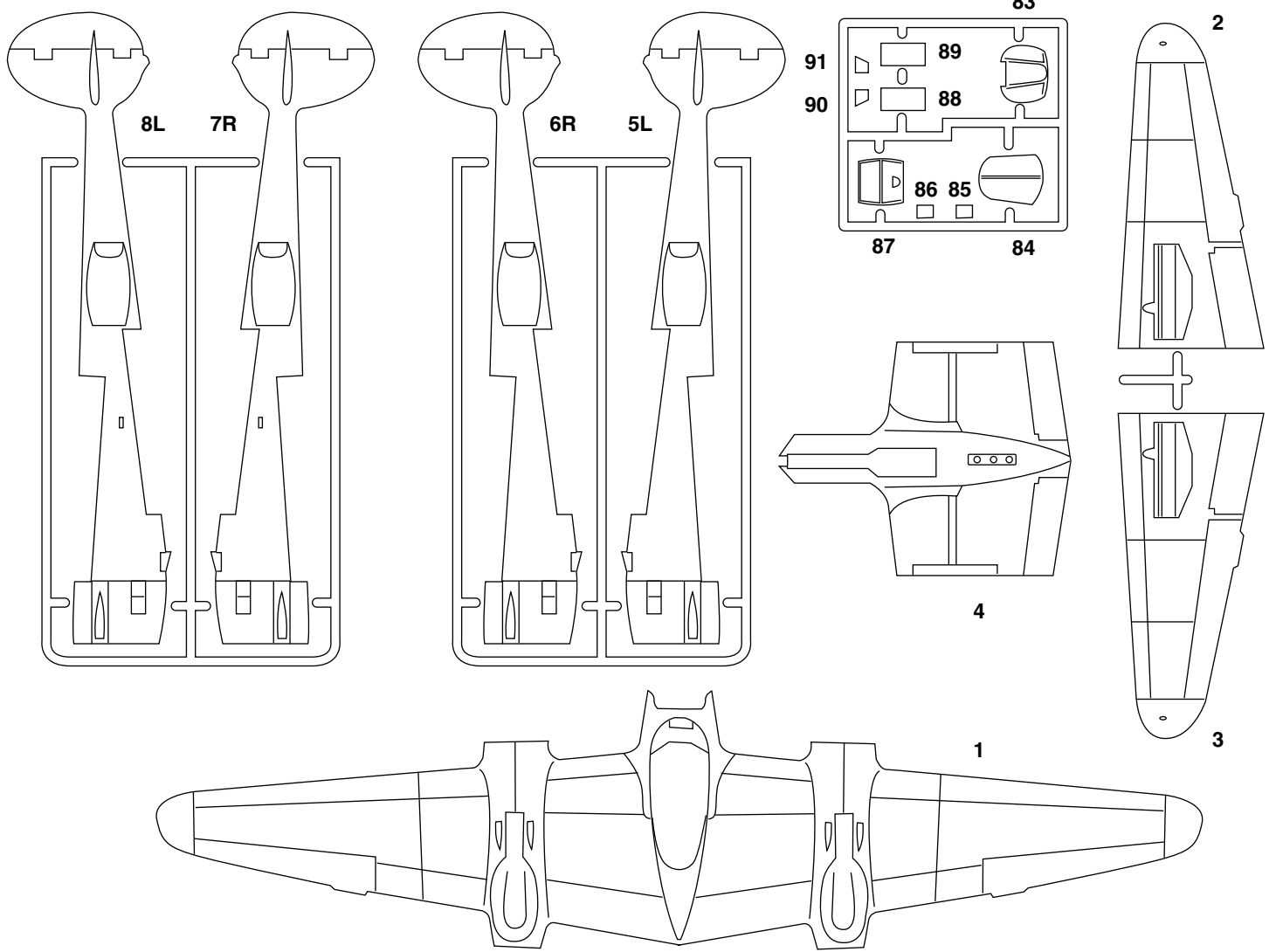
- * USAAF P-38J-15, 20FG, England, 1944 – Gentle Annie
- * USAAF P-38J-15, 479FG, England, 1944 – Scat II
- * USAAF P-38J-15, 82FG, Italy, 1944 – Judy Ann

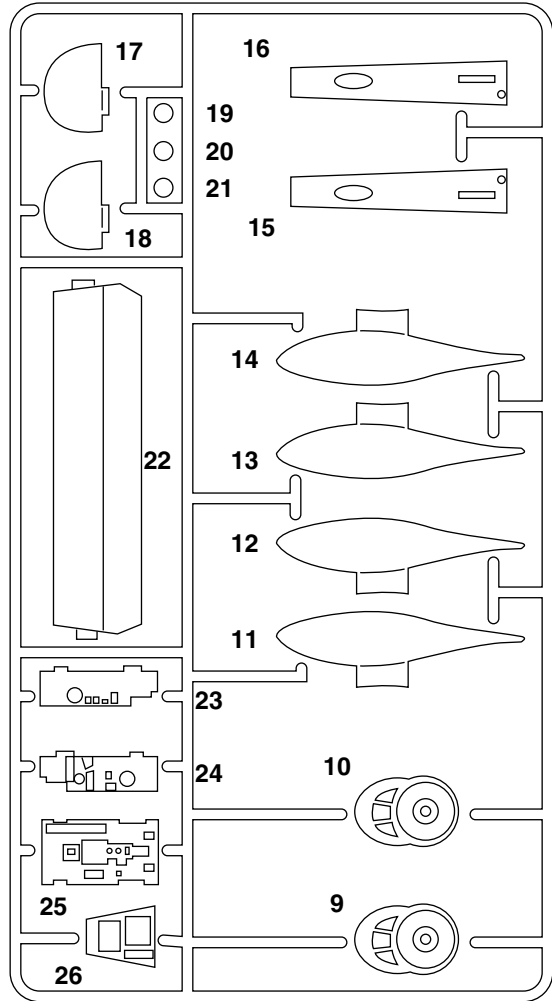
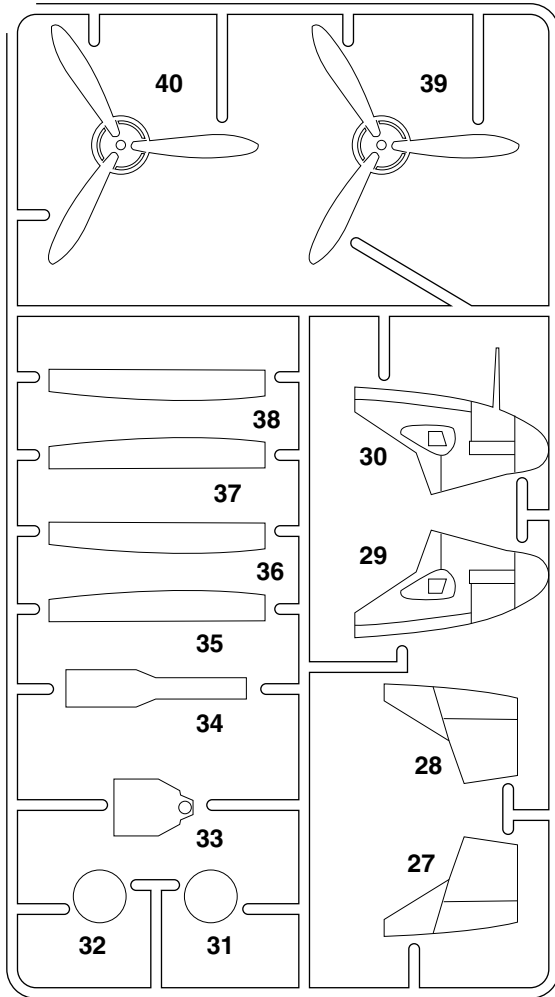
Minicraft Models, 1501 Commerce Drive, Elgin IL 60123 USA
www.minicraftmodels.com

Printed in China

11649

PARTS LAYOUT DIAGRAM







Cement
Coller
Kleben
Pegar
Incollare
Colar
Kleven



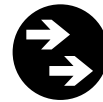
DO NOT Cement
Ne pas Coller
Nicht Kleben
No Pegar
Non Incollare
Nao Colar
Niet Kleven



Cut away
Couper
Scheiden
Cortar
Tagliere
Cortar
Snijden



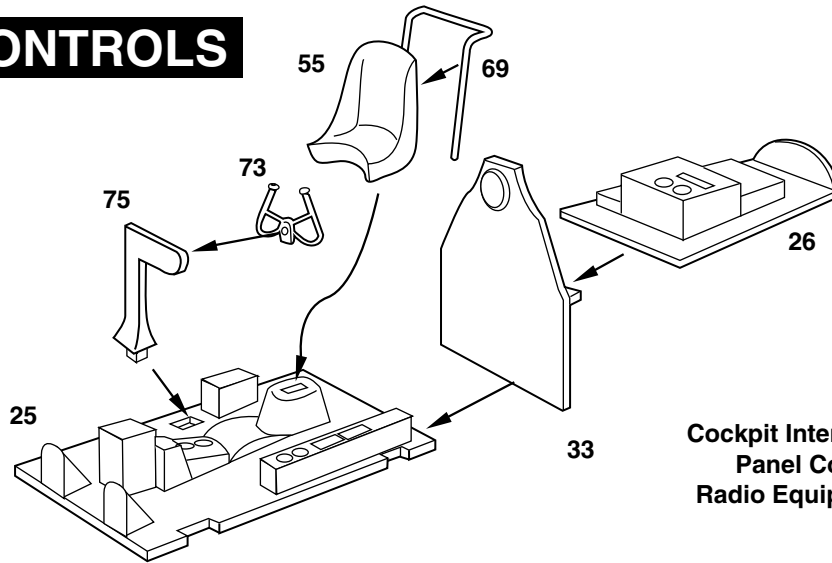
Optional parts
Choix
Auswahlmoglichkeit
Eleccion
Scelta
Opaco
Keuze



3

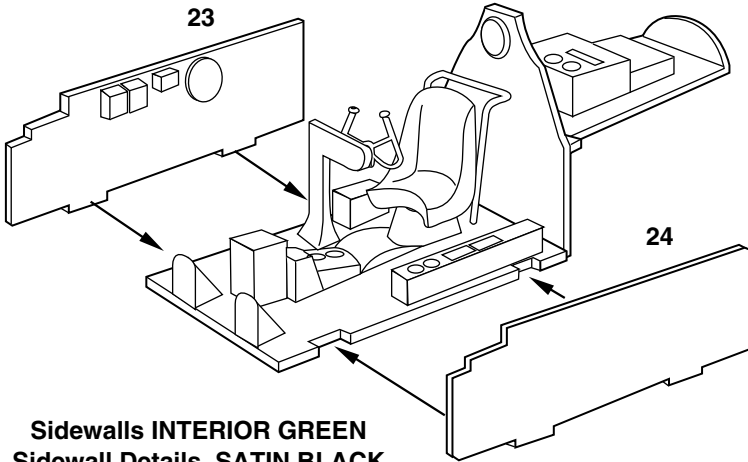
Repeat operation
Ripetere l' opzation
Vorgang wiederholen
Repitir la operacion
Ripetere
Repitir a operacão
Herhalen

1 SEAT / CONTROLS



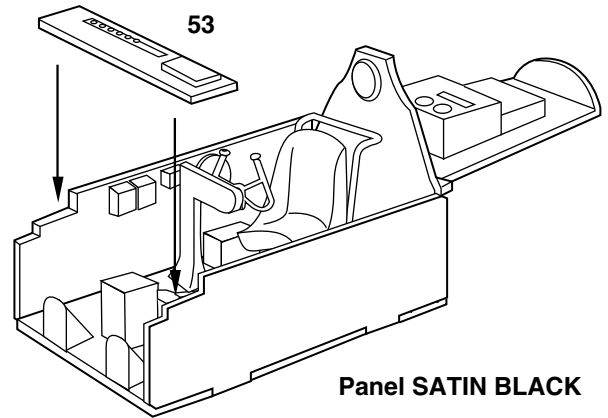
Cockpit Interior INTERIOR GREEN
Panel Cover FLAT BLACK
Radio Equipment SATIN BLACK

2 SIDEWALLS



Sidewalls INTERIOR GREEN
Sidewall Details SATIN BLACK

3 AUXILIARY PANEL



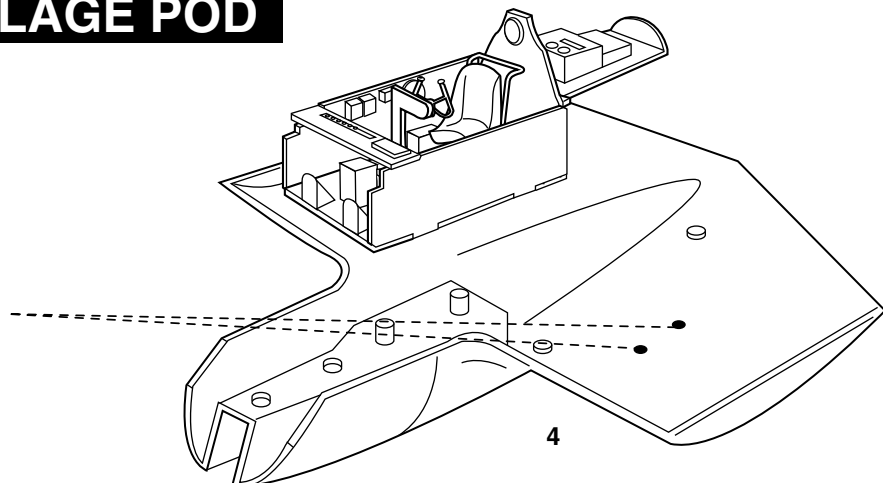
Panel SATIN BLACK

4 LOWER FUSELAGE POD

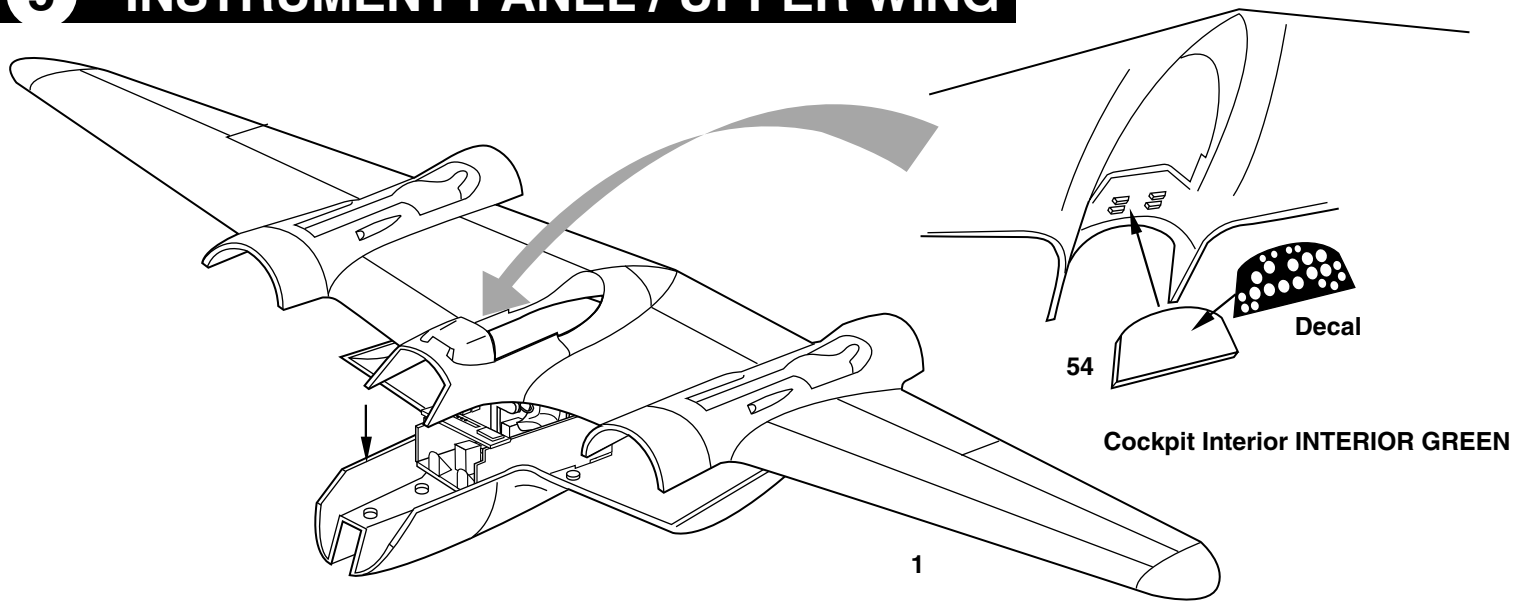


NOTE

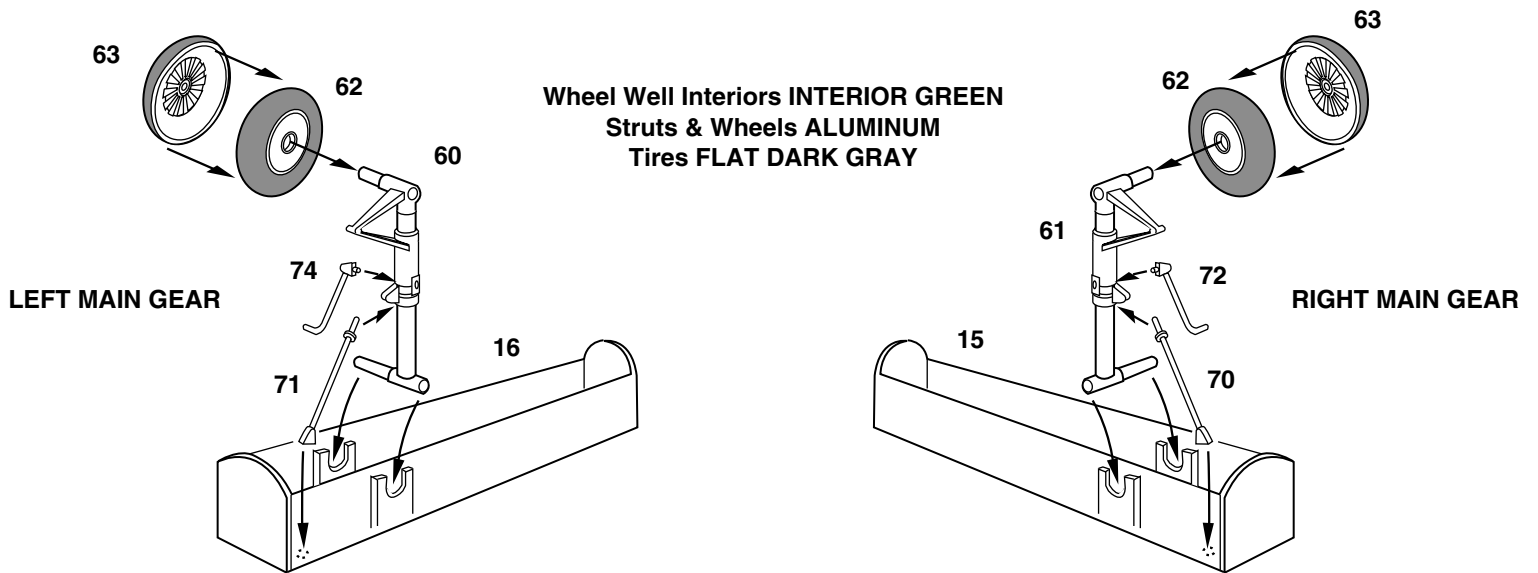
See Step 12 -
Fill holes in lower wing 4 if you
choose not to use
underwing stores.
(Two holes under each wing)



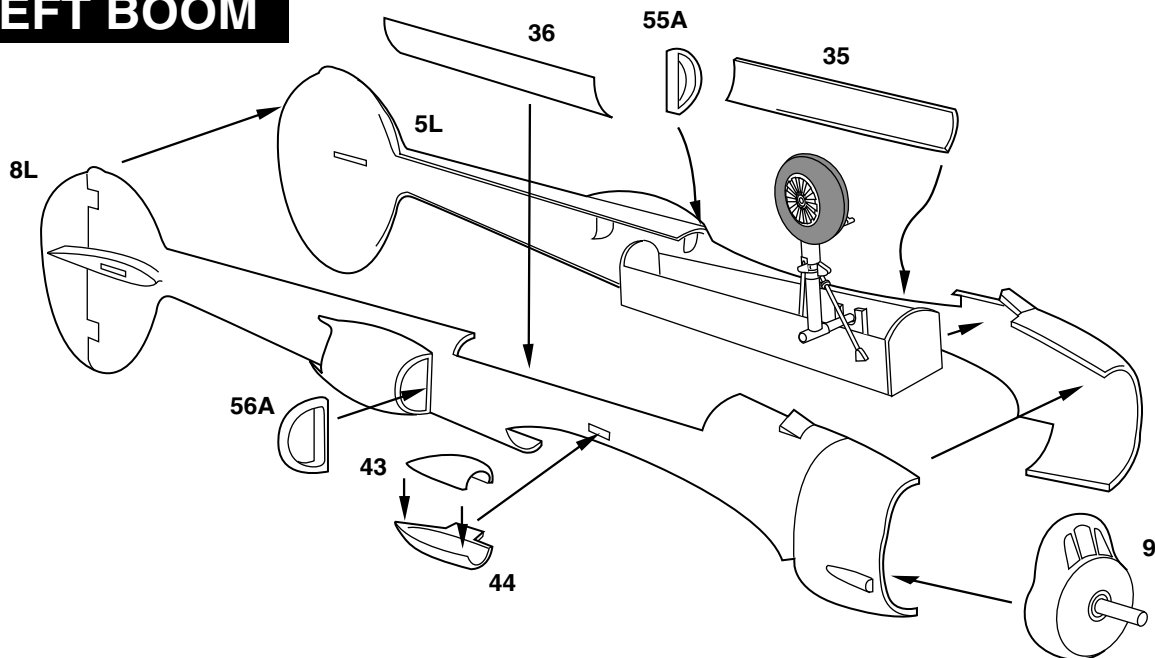
5 INSTRUMENT PANEL / UPPER WING



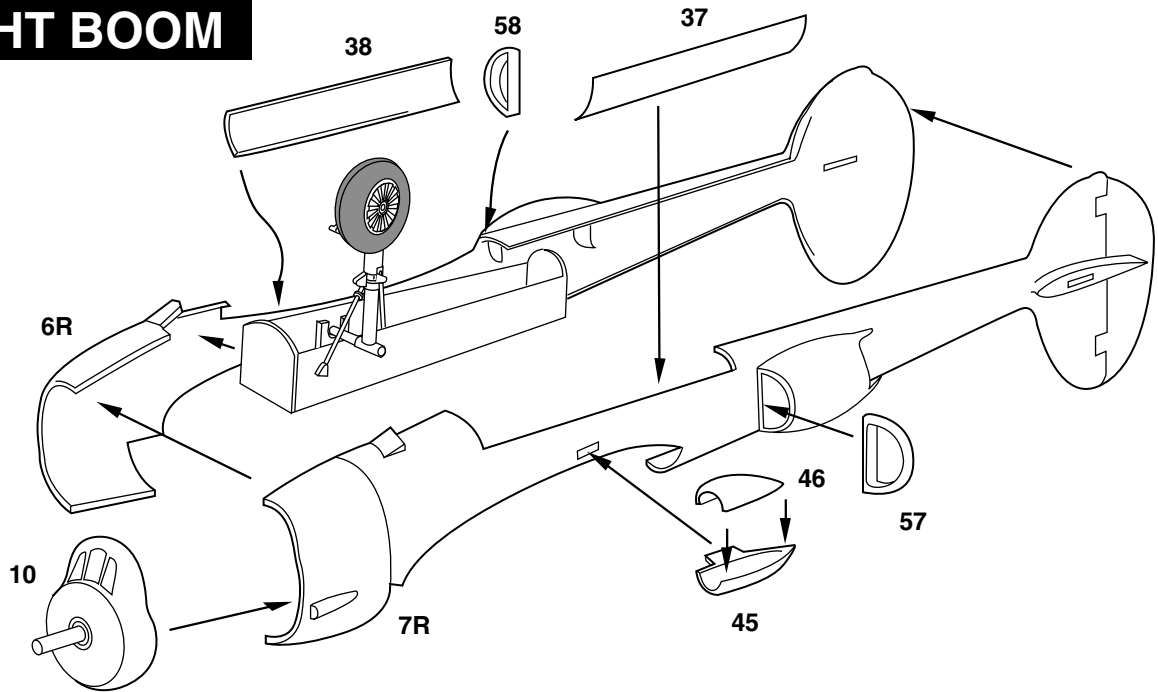
6 MAIN LANDING GEAR



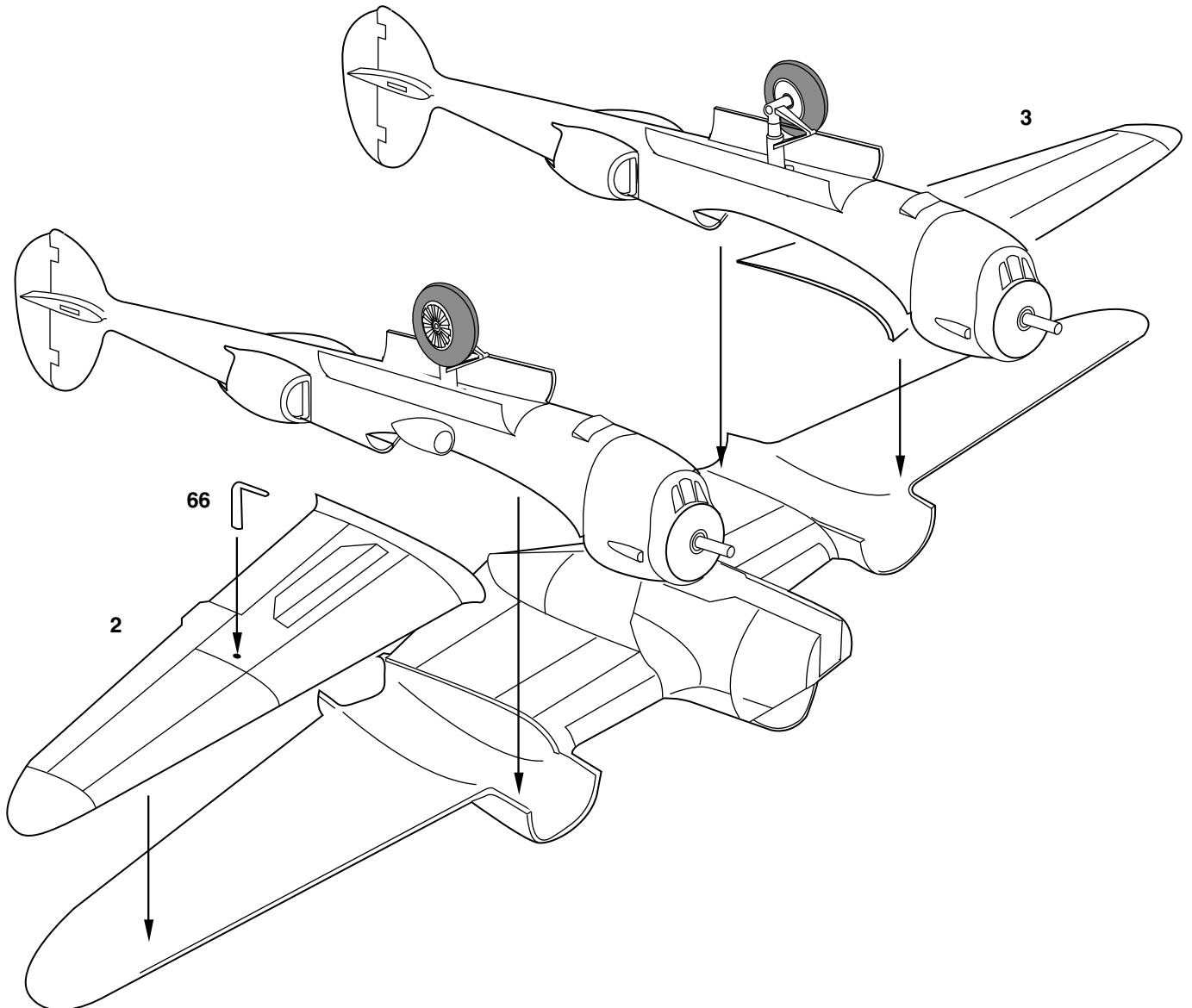
7 LEFT BOOM



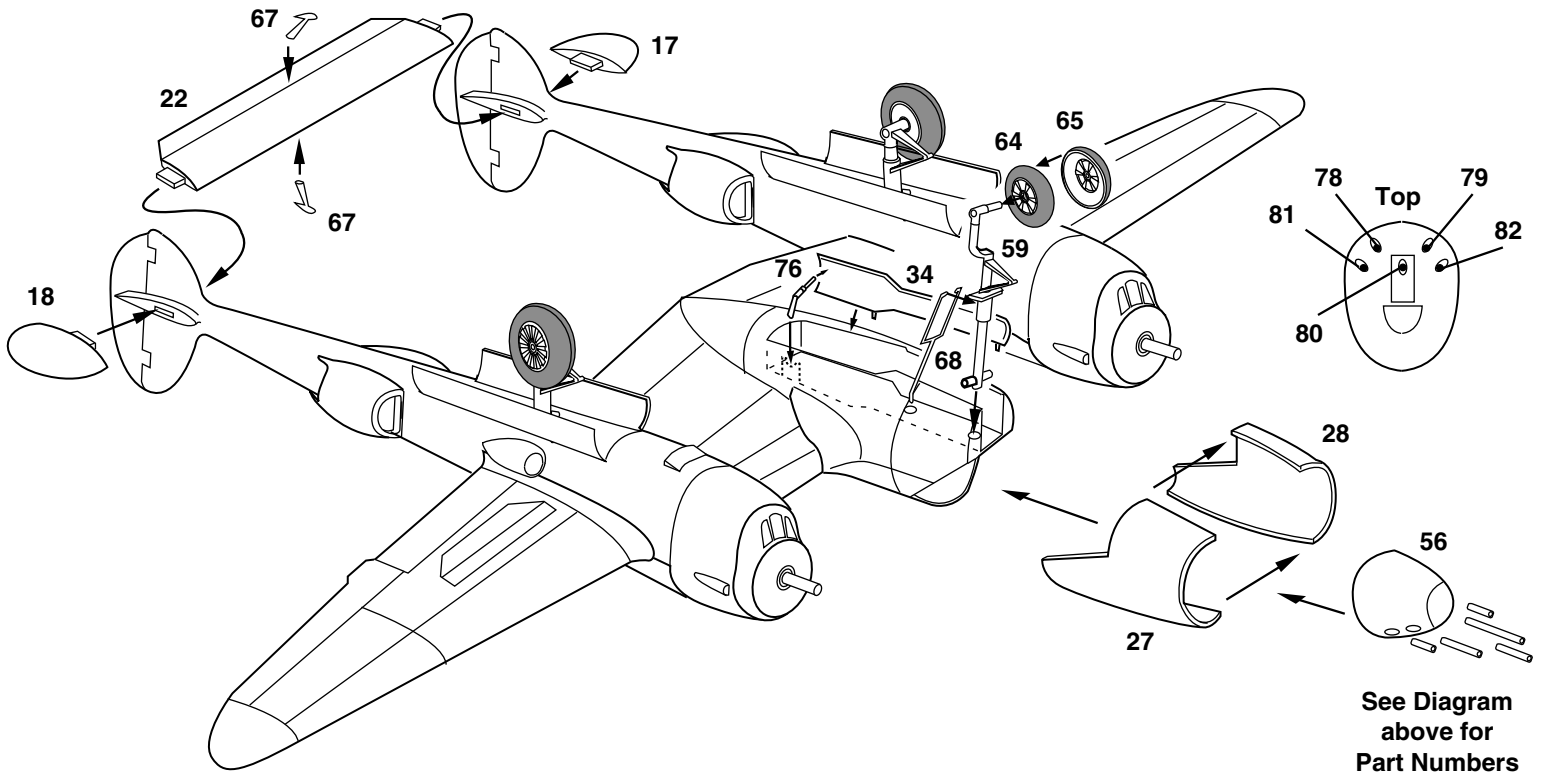
8 RIGHT BOOM



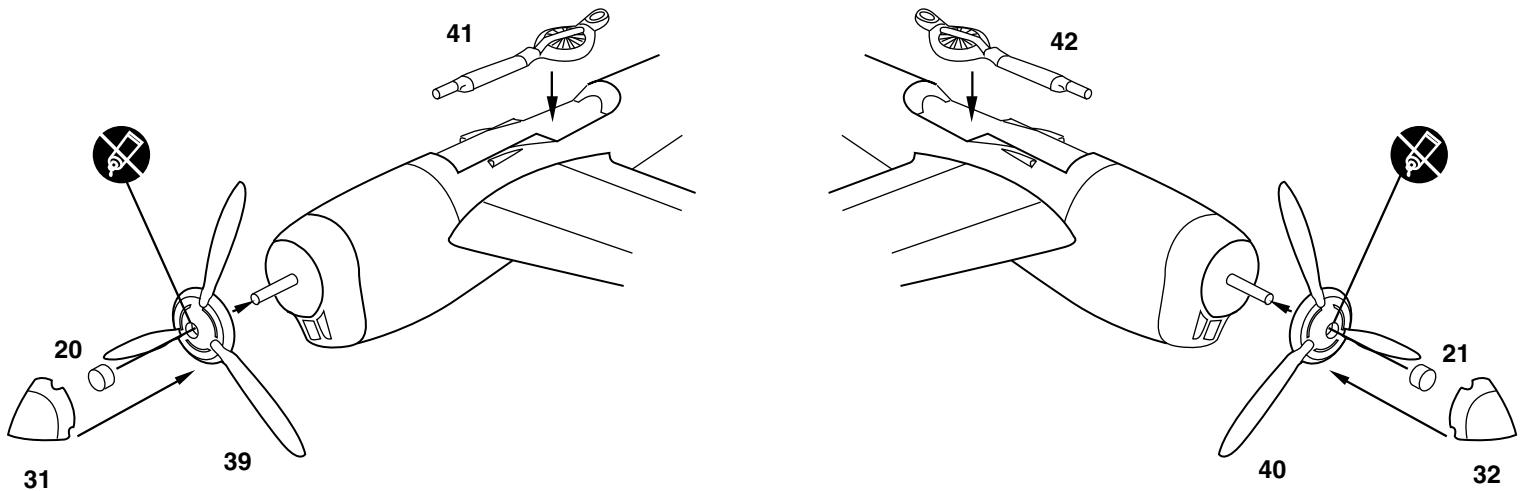
9 MAIN COMPONENT ASSEMBLY



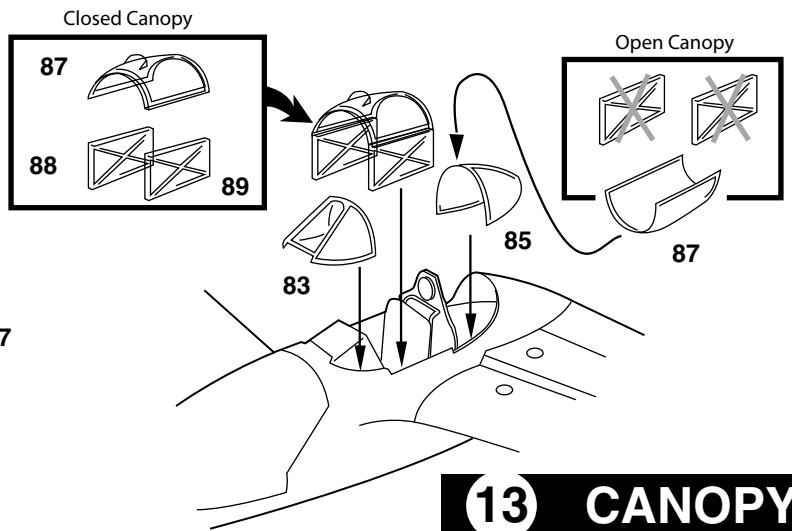
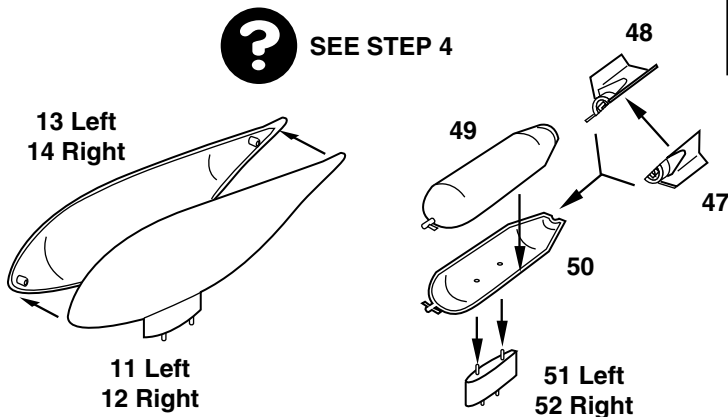
10 TAIL / NOSE GEAR / NOSE



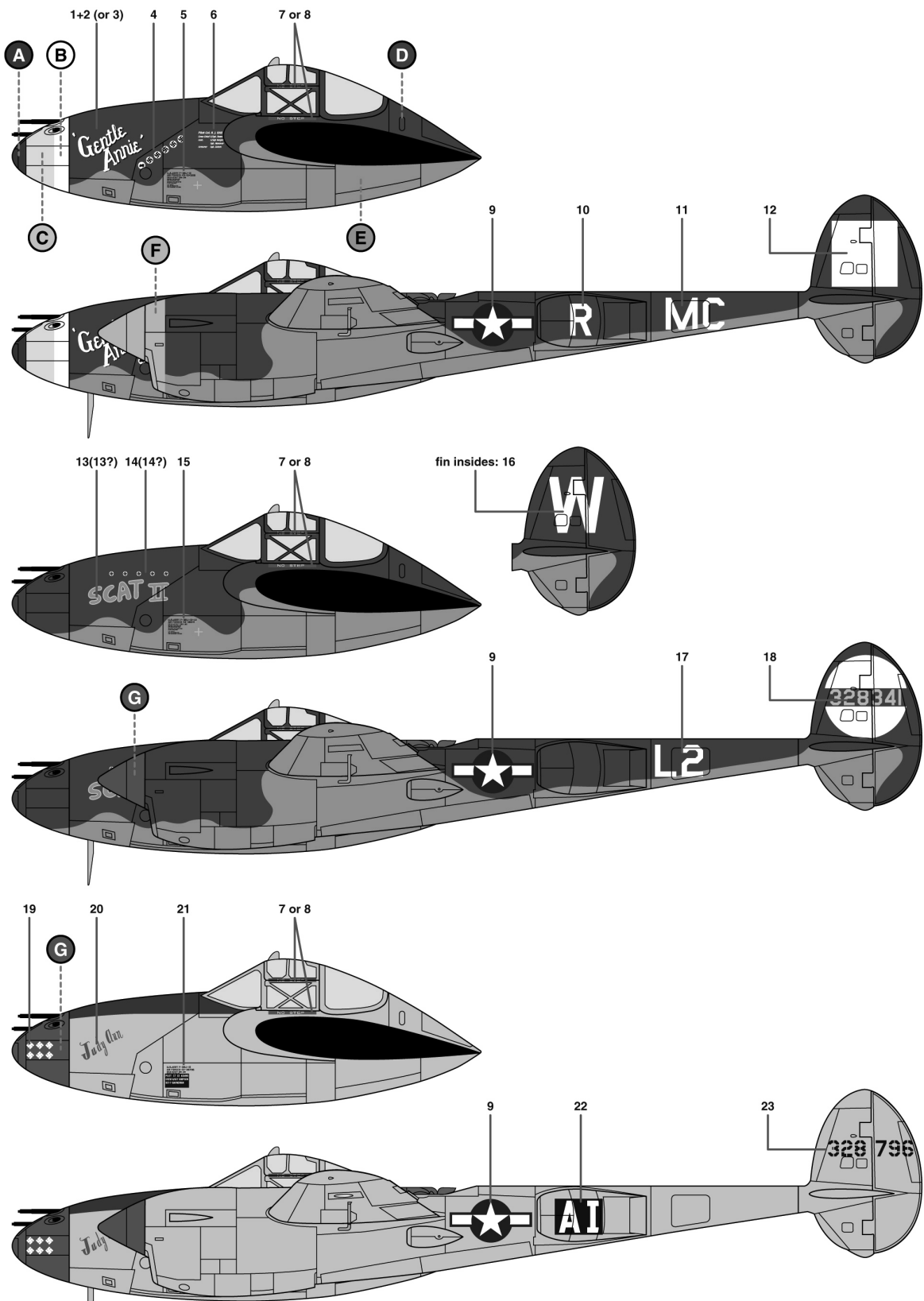
11 PROPELLERS / SUPERCHARGERS



12 DROP TANKS / BOMBS

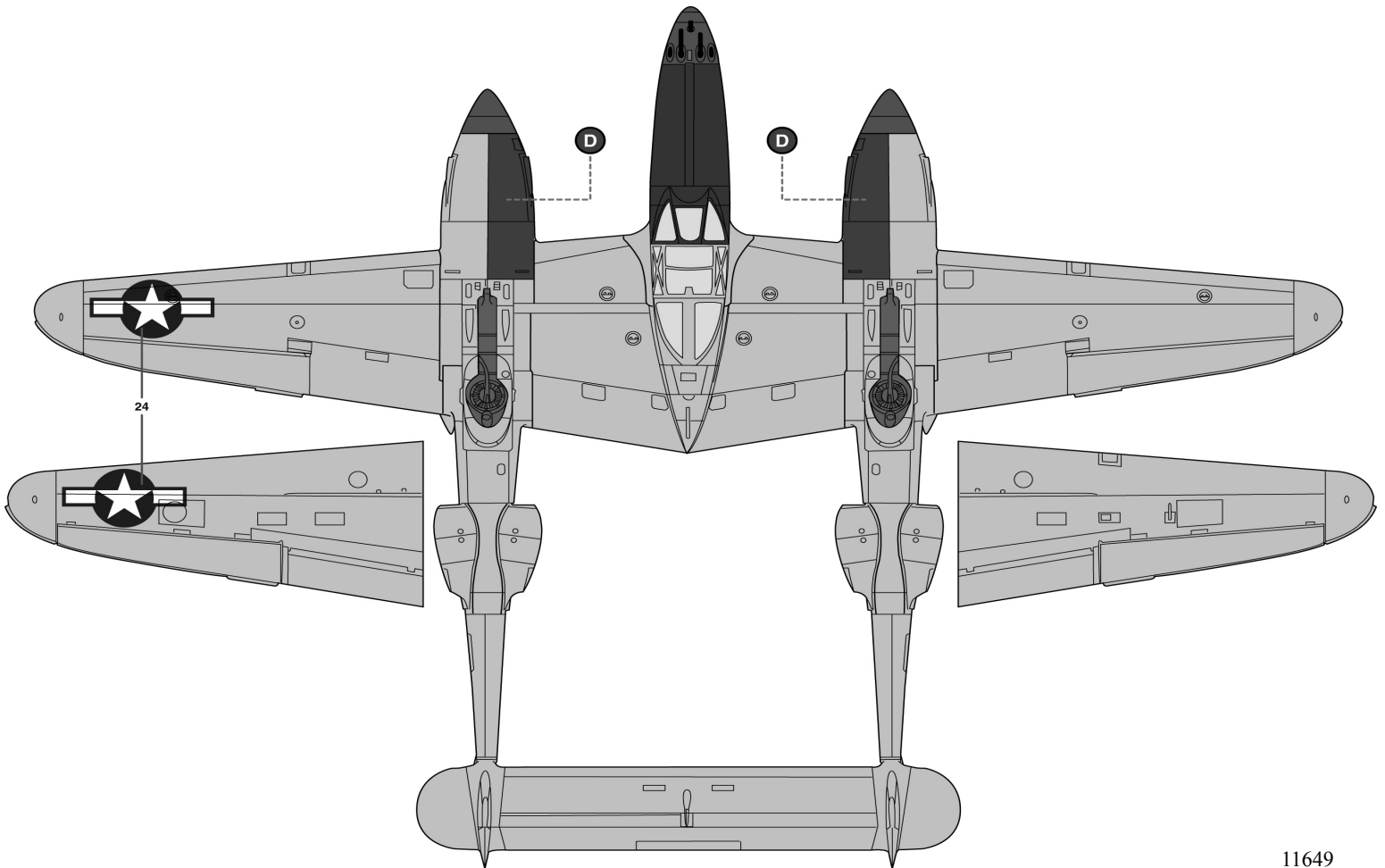
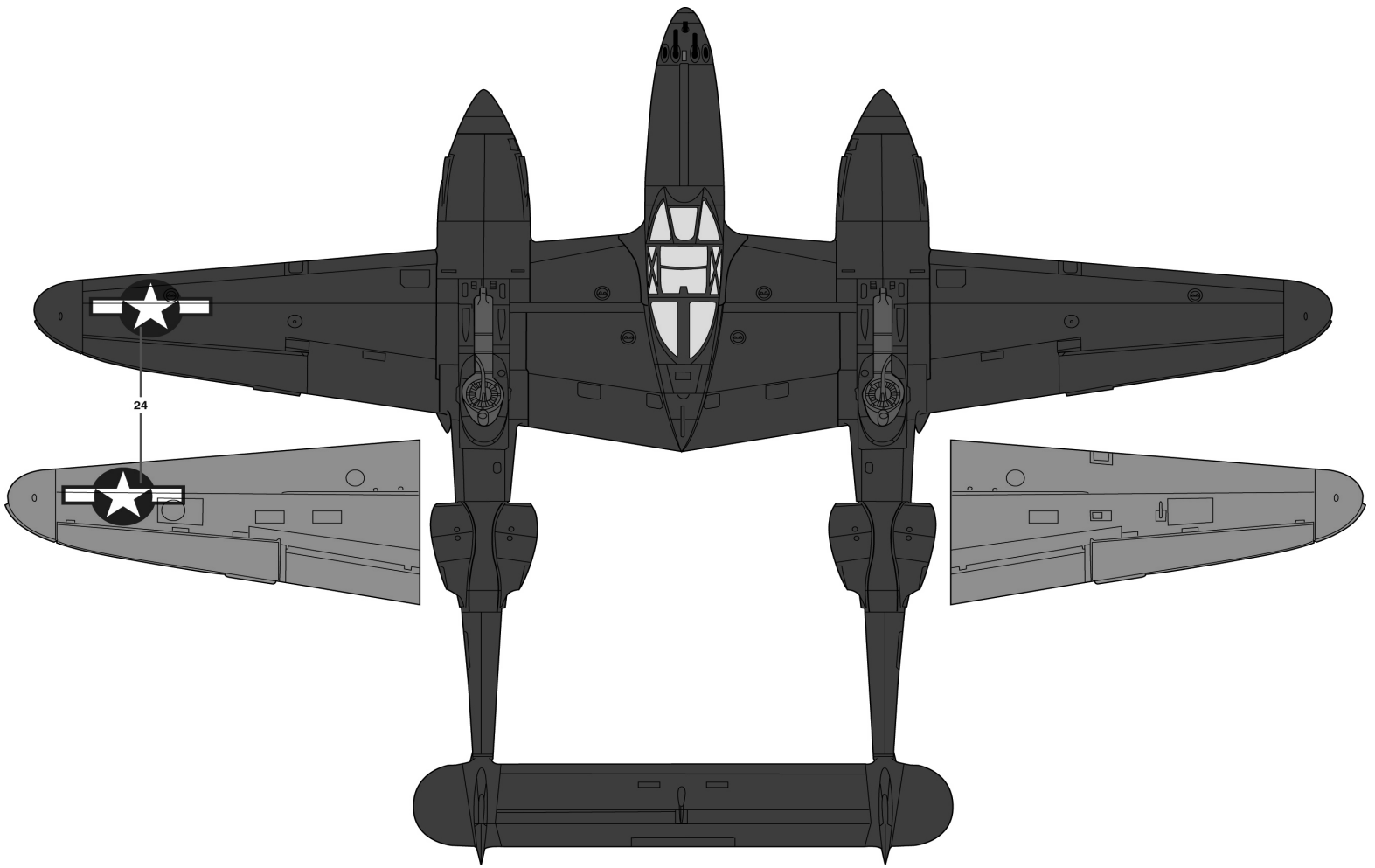


13 CANOPY



PAINTS

- A Black (ModelMaster 1749, Acryl 4768)
- B White (ModelMaster 1745, Acryl 4696)
- C Aluminum (ModelMaster 1781, Acryl 4677)
- D Olive Drab (ModelMaster 1911, Acryl 4728)
- E Neutral Gray (ModelMaster 1725, Acryl 4757)
- F Insignia Yellow (ModelMaster 1708, Acryl 4721)
- G Insignia Red (ModelMaster 1705, Acryl 4714)





Legends in the making™

Minicraft Models
1501 Commerce Drive
Elgin, IL 60123 USA

Visit our Website-
www.minicraftmodels.com

Printed in China