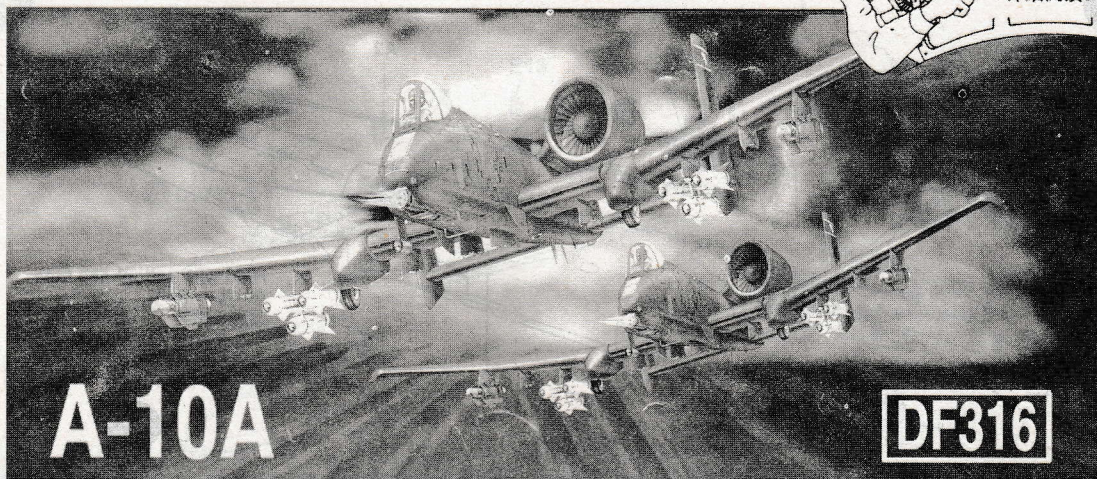


Read before assembly.

组装前敬请
详细阅读。



A-10A

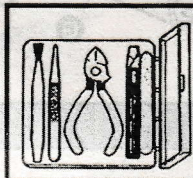
DF316

A-10A THUNDERBOLT II

A few of the specifications are: length 53'4", height 14'8", span 57'6", maximum gross weight 47,400lbs, including 16,000lbs of external stores. Internal armament is the GAU-8/A 30mm Gating cannon capable of 2,100 or 4,200 rounds per minute. It carries 1,350 rounds of ammunition, a fire control head-up display, CRT TV monitor, laser spot seeker plus a diversified armament panel that can facilitate any operational need. The A-10 has been around since 1972 and has again proven its worth during the recent Gulf war.

美国空军A-10A“雷电”攻击机“坦克杀手”

美国空军A-10是一种典型的近距离攻击机，从1972年开始服役，机长16.06米，机高4.47米，最大起飞重量20,680公斤，最大平飞速度706公哩/小时，爬升率35米/秒，转场航程4,850公哩，它能带有1,350支弹药，一个激光跟踪器和优秀的航行保护装置。本品是1/48仿真模型，无论是外观正确性上，还是零部件构成、武器配备上都充分考虑到比例准确、制作方便，并加以模型化，栩栩如生地展现出A-10攻击机独特的凶猛气质。



A pair of scissors
模型剪

A small knife 小切刀

A small file 小挫子

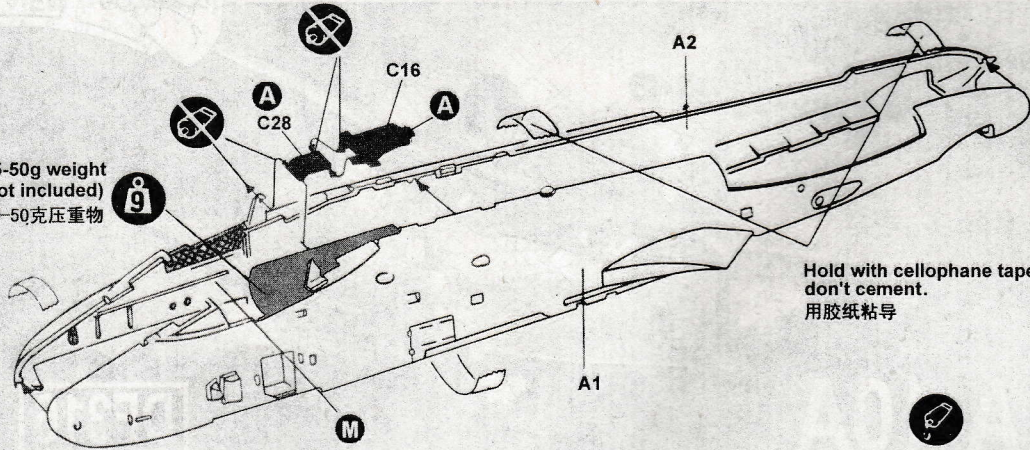
A tweezer
尖嘴夹

Please get the useful tools ready. Remove parts from frame with a pair of scissors and trim away excess plastic. Do not pull off parts. Use cement sparingly to avoid damaging the model. please tear the plastic bag of this product to avoid children putting their heads into the bag. Do not put the parts into your mouth.

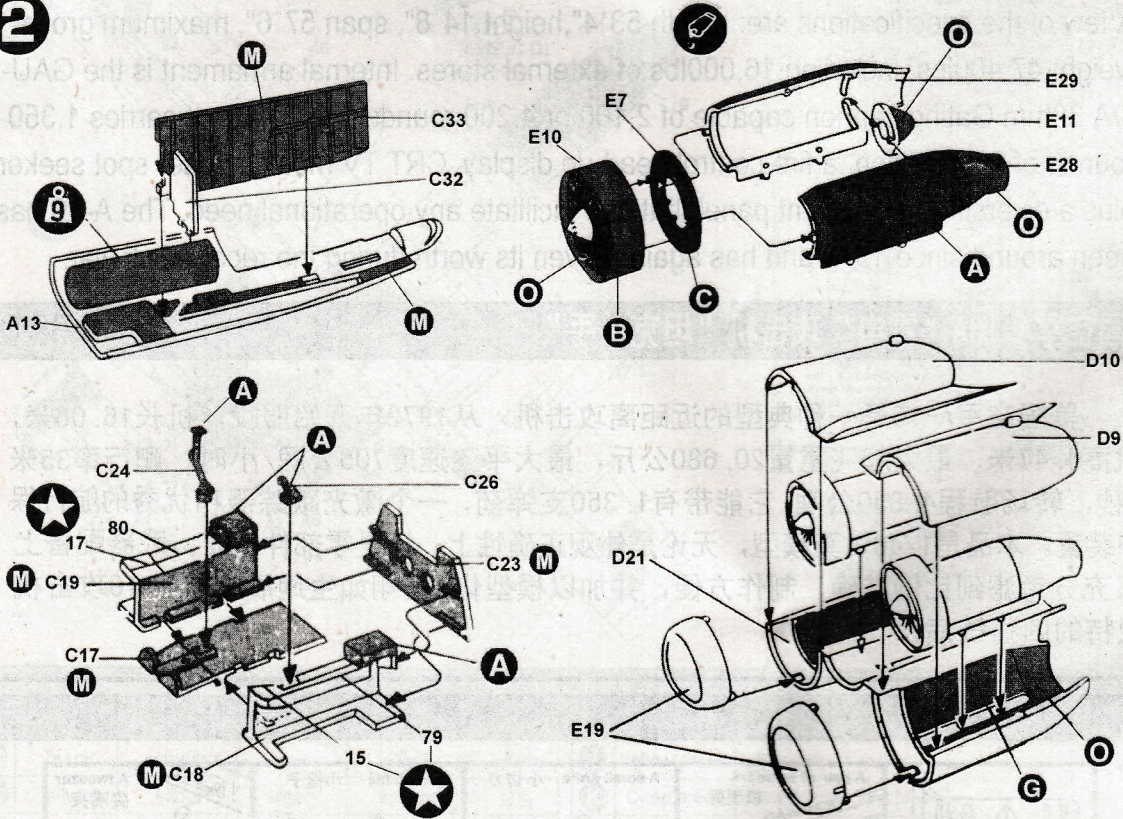
使用工具应小心，注意安全。用模型剪从注塑片中取出零件，修去多余料头及飞边，勿拔取零件。使用模型胶勿过量，不得近火源。商品的空袋为了不让小孩套在头上请撕掉。禁止把零部件含入口中。

1

45-50g weight
(not included)
40-50克压重物



2



Cement parts
用胶粘接

DO NOT cement
不用胶粘接

Cut away
剪去

Caution
特别注意

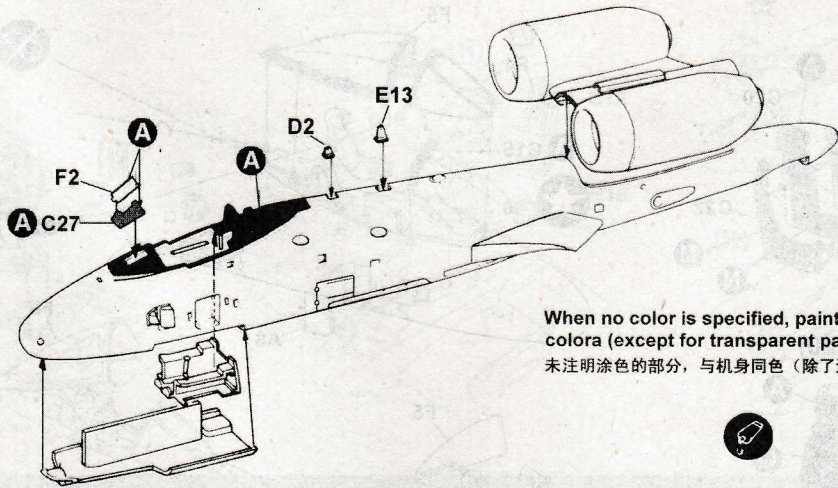
pressing thing
(not included)
压合物
(本品不包括)

Optional parts
可选的部分

Repeat operation
重复操作

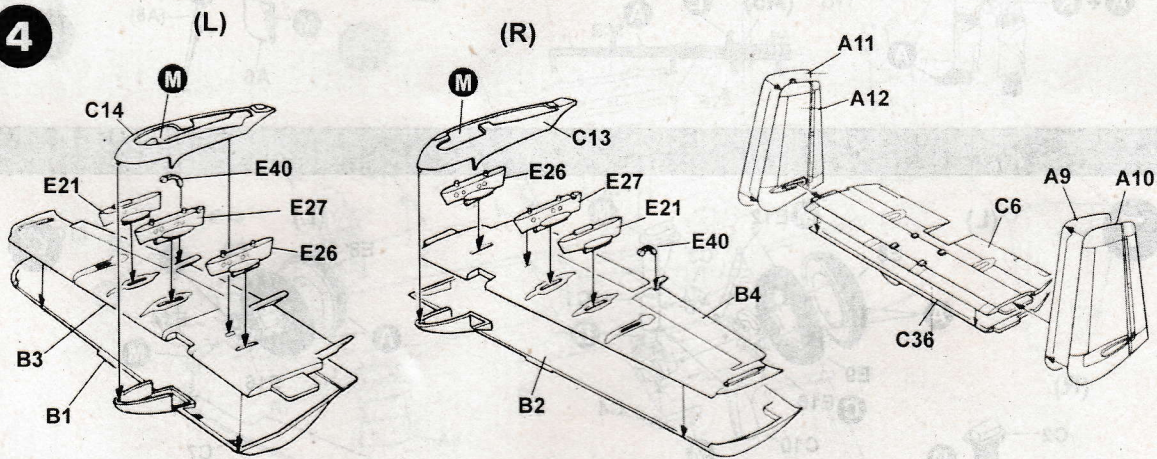
stick on the decal
贴上火贴纸

3

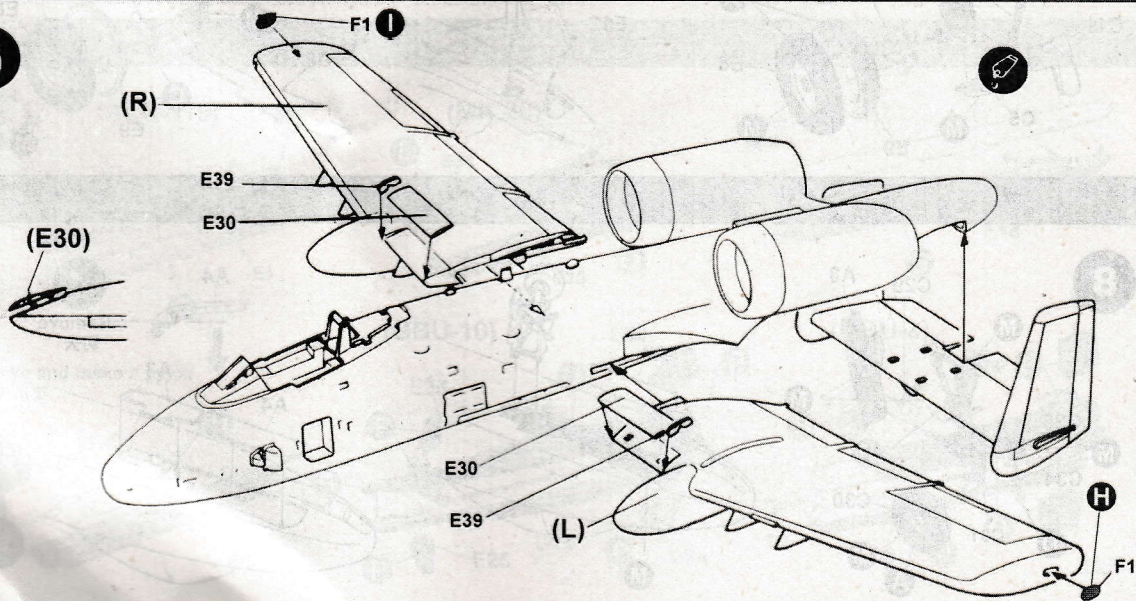


When no color is specified, paint with fuselage colors (except for transparent parts).
未注明涂色的部分，与机身同色（除了透明部件）

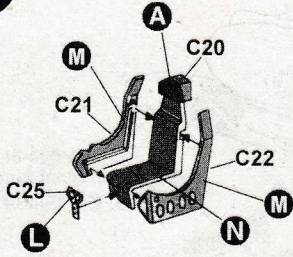
4



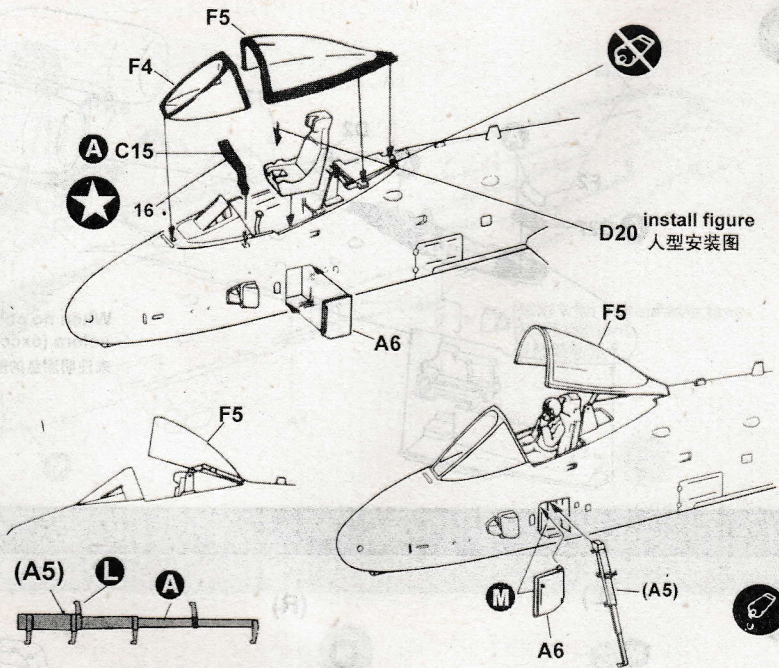
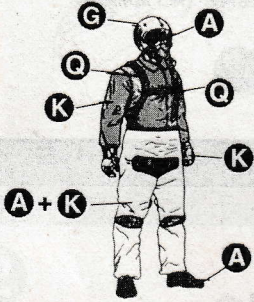
5



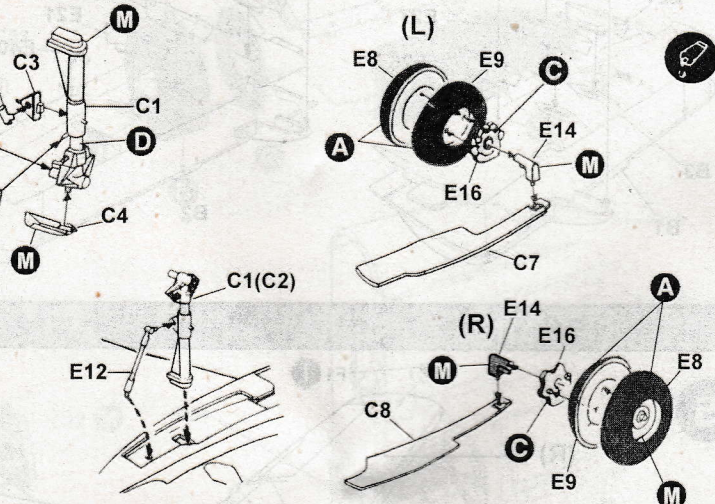
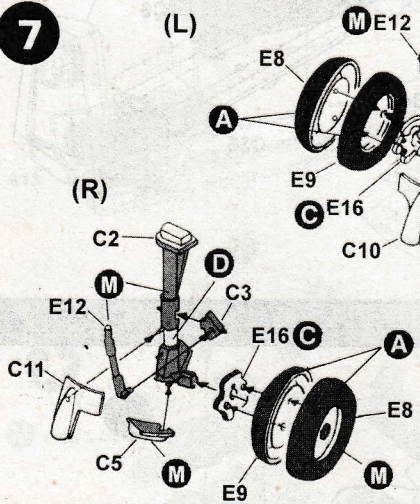
6



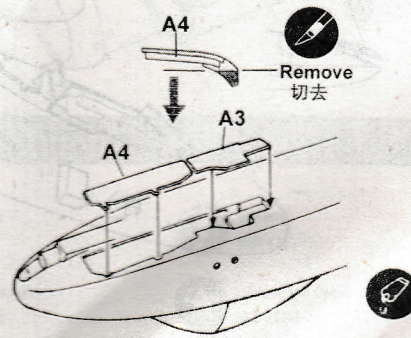
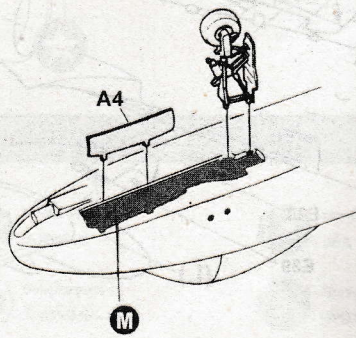
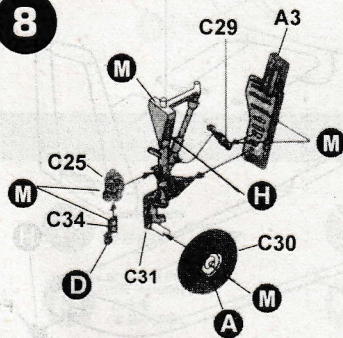
(D20)



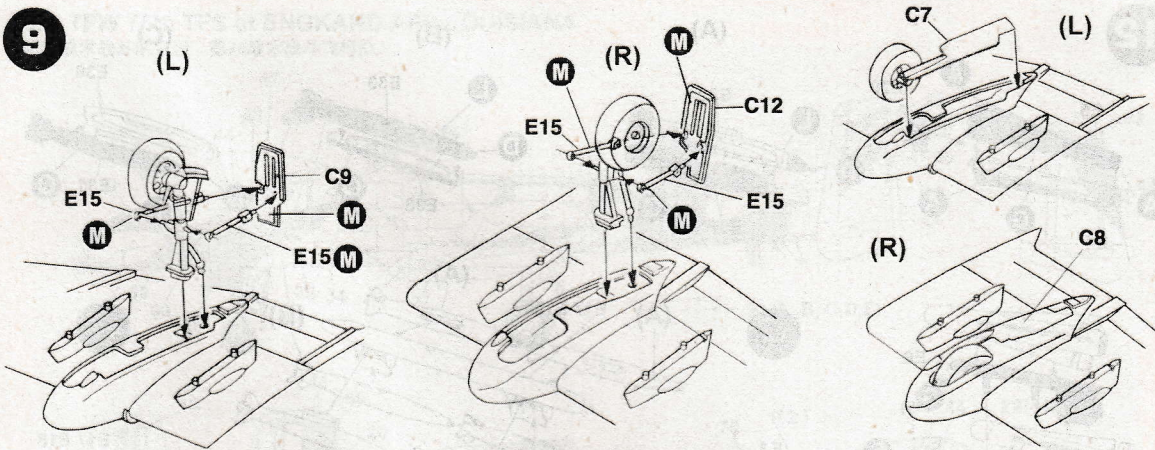
7



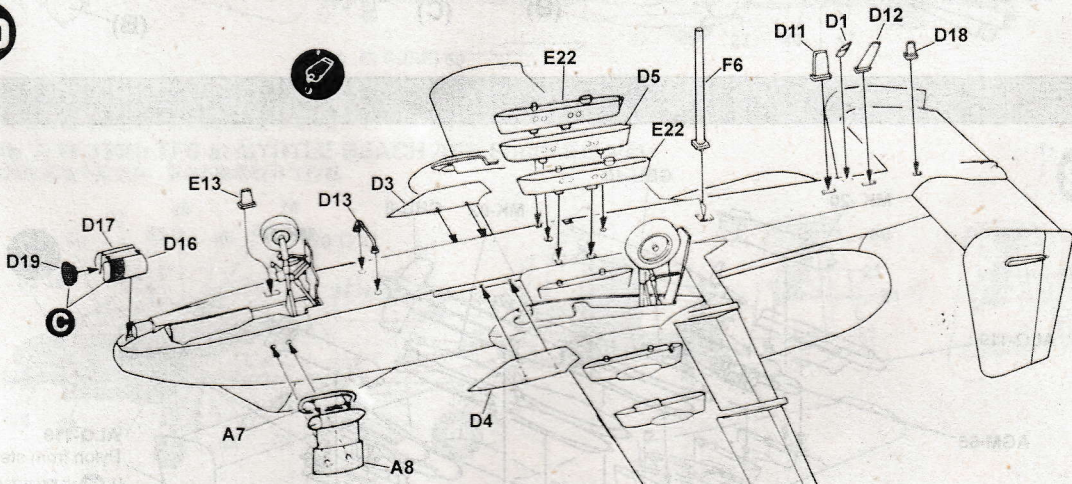
8



9



10



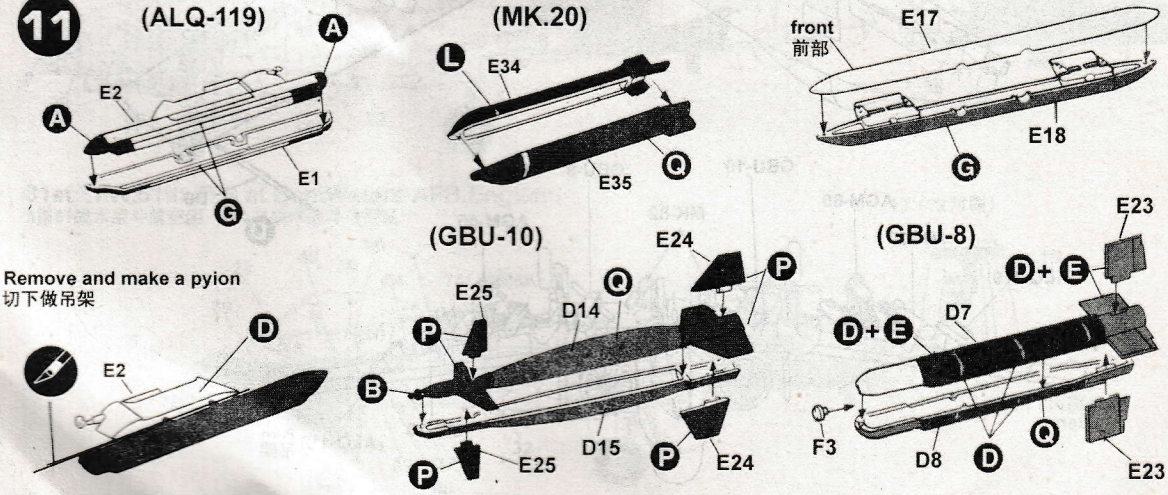
Use F6 as a stay ,when weight is not used.
 未安装重块时用F6做支撑

11

(ALQ-119)

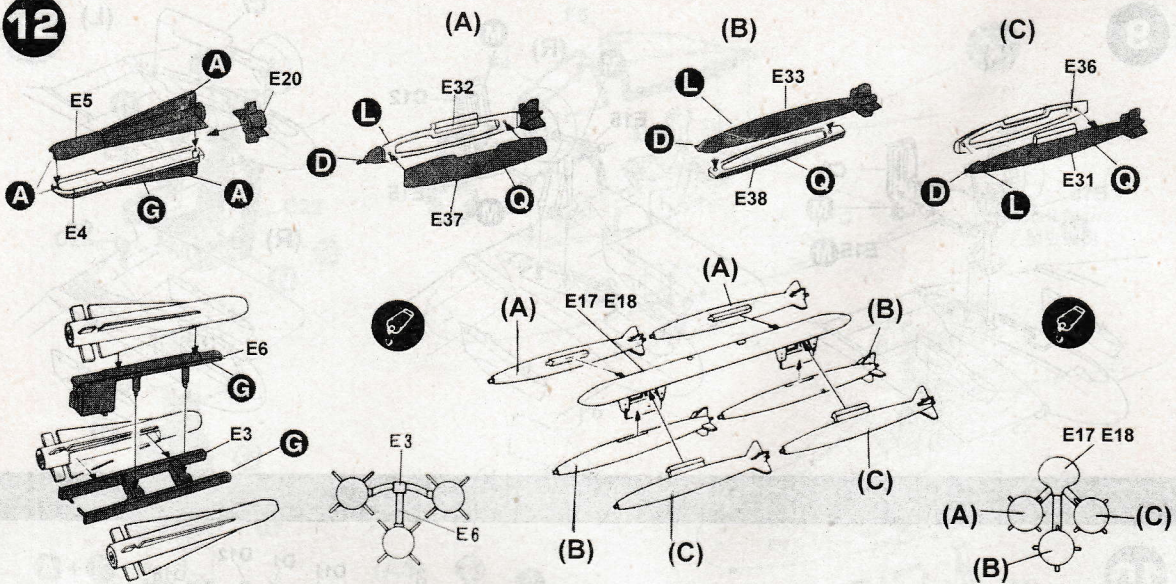
(MK.20)

front 前部

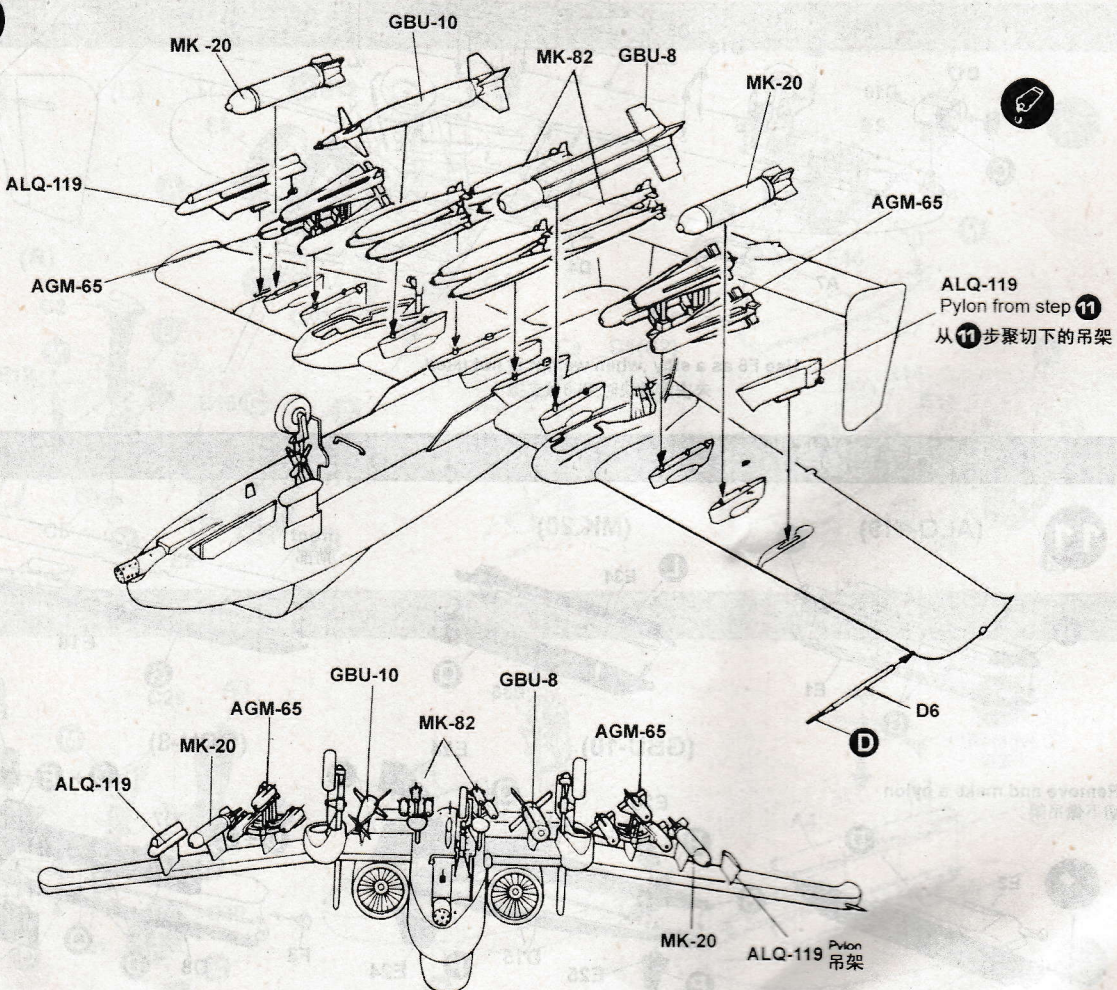


Remove and make a pyion
 切下做吊架

12

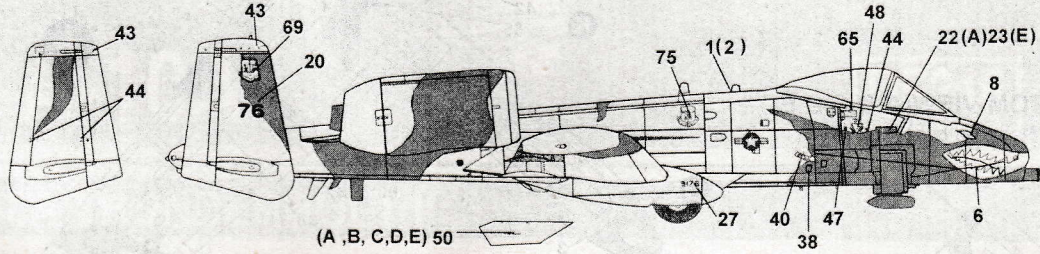
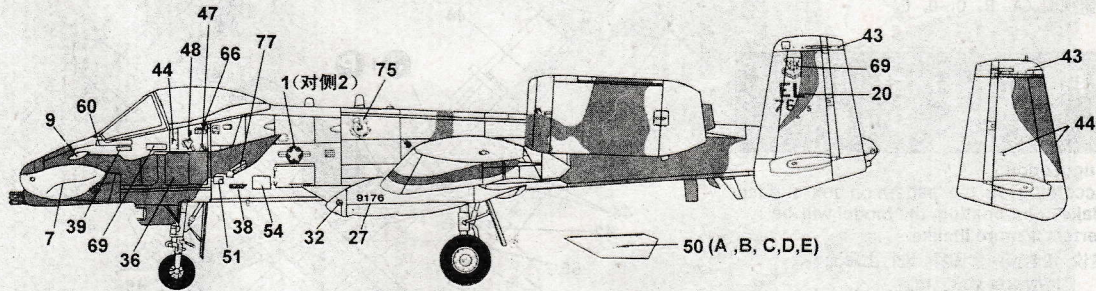


13



23rd TFW 76th TFS at ENKAND AFB.LOUISIANA

A 第23战术战斗航空团 第76战术战斗飞行队



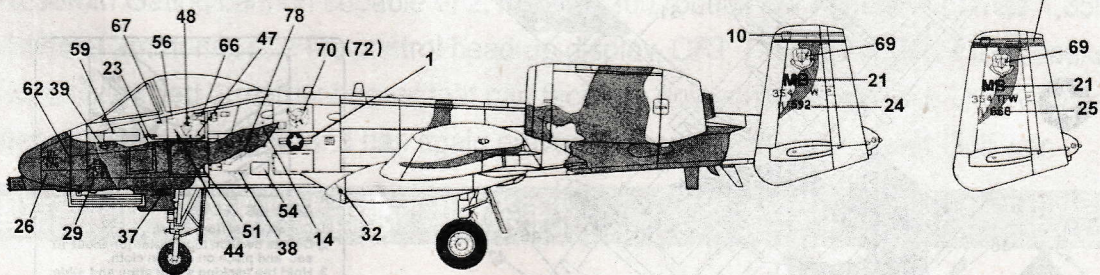
(A, B, C, D, E) 50

354th TFW 355th TFS at MYRTLE BEACH AFB.South Carolina

B 第354战术战斗航空团 第356战术战斗飞行队

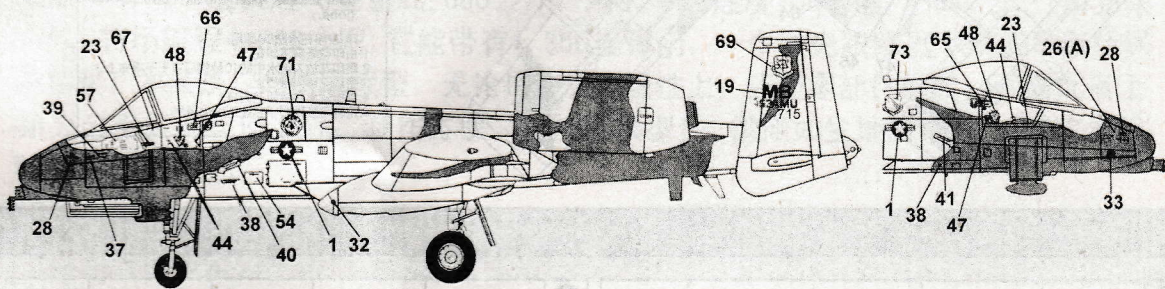
354th TFW 356th TFS at MYRTLE BEACH AFB.South Carolina

C 第354战术战斗航空团 第355战术战斗飞行队



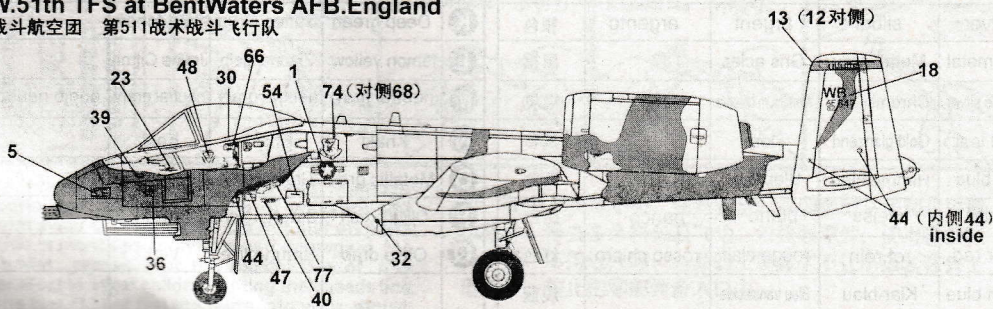
354th TFW 353rd TFS at MYRTLE BEACH AFB.South Carolina

D 第354战术战斗航空团 第353战术战斗飞行队



81st TFW.51th TFS at BentWaters AFB.England

A 第81战术战斗航空团 第511战术战斗飞行队



44 (内侧44) Inside

TOP VIEW (A.B.C.D.E)

俯视图 (A, B, C, D, E)

Painting instruction

塗装指導

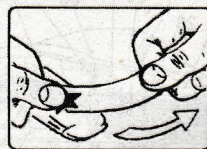
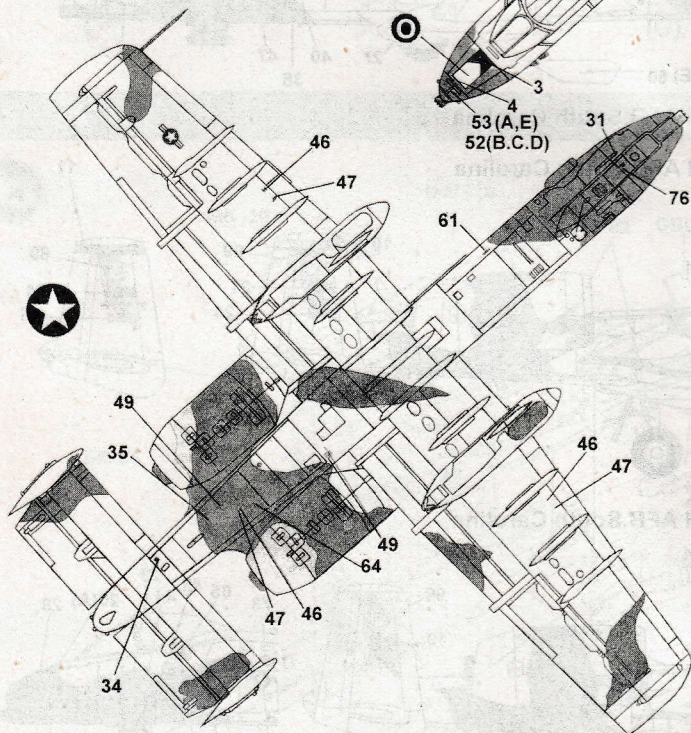
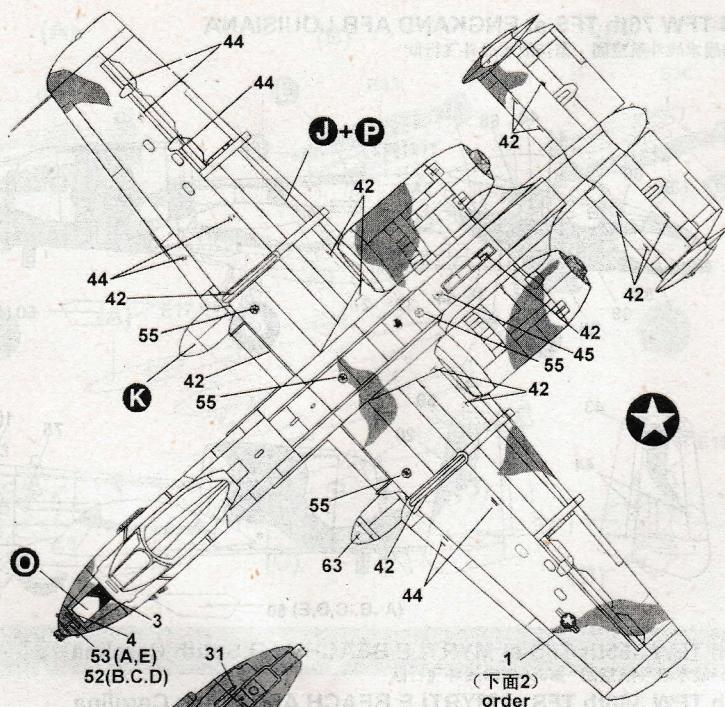
Suggestion:

According to the pattern on box surface, Make color coating, the model will be perfect & more lifelike.

建议: 按封面彩盒图样, 进行上彩涂装, 模型将更完美、逼真。

BOTTOM VIEW(A.B.C.D.E)

下面 (A, B, C, D, E)



APPLYING DECALS

1. Cut off decal from sheet.
2. Dip the decal in tepid water for about 10 sec and place on a clean cloth.
3. Hold the backing sheet edge and slide decal onto the model.
4. Move decal into position by wetting decal with finger.
5. Press decal gently down with a soft cloth until excess water and air bubbles are gone.

- 印花(印花水貼紙)應用
1. 由印花紙剪下印花
 2. 將印花放入溫水中約10秒然後放於乾淨布上。
 3. 將印花移入模型上。
 4. 手指沾水移動印花到位置。
 5. 用軟布輕輕壓印花直到水泡消失。

A	black	schwarz	noir	nero	黑色
B	silver	silber	argent	argento	銀色
C	Gun metal	Metall-grau	Gris acier		黑褐
D	Chrome silver	Chromsilber	Aluminium chrome		銀灰
E	Gold leaf	Gold glanzend	Dore		金色
F	Sky blue	Himmelblau	Bleu ciel		天兰
G	white	weiss	blanc	banco	白色
H	clear red	rot, rein	rouge clair	rosso chiaro	紅色
I	Clean blue	Klar-blau	Bleu translucide		淺藍

J	Yellow green	Grungelb	Vert jaune		黃綠
K	Deep green	Sattes Grun	Vert fonce		深綠色
L	lemon yellow	Zitronengelb	Jaune Citron		檸檬黃
M	neutral gray	neutral gray	neutral gray	grigio neutro	淺灰
N	Khaki	Khaki	Kaki		土黃
O	Metallic grey	Graumetallic	Gris metallise		褐灰
P	Olive green	Olivgrun Vert	Olive fonce		橄欖綠
Q	Olive drab	Braun-olive	Vert		黃褐色