

1:35 Scale Model Kit

Panzerkampfwagen V Panther Ausf.A early/mid



In cooperation
with:



Vor dem Zusammenbau lesen!

DW35010

READ BEFORE ASSEMBLY

CAUTION

- Read carefully and fully understand the instructions before commencing assembly. A supervising adult should also read the instructions if a child assembles the model.
- When assembling this kit, tools including knives used. Extra care should be taken to avoid personal injury.
- Keep out of reach of small children. Children must not be allowed to suck any part, or pull vinyl bag over their heads.



Optional



Fill Holes



Be Careful



Remove



Drill



Instant Glue
for Metal

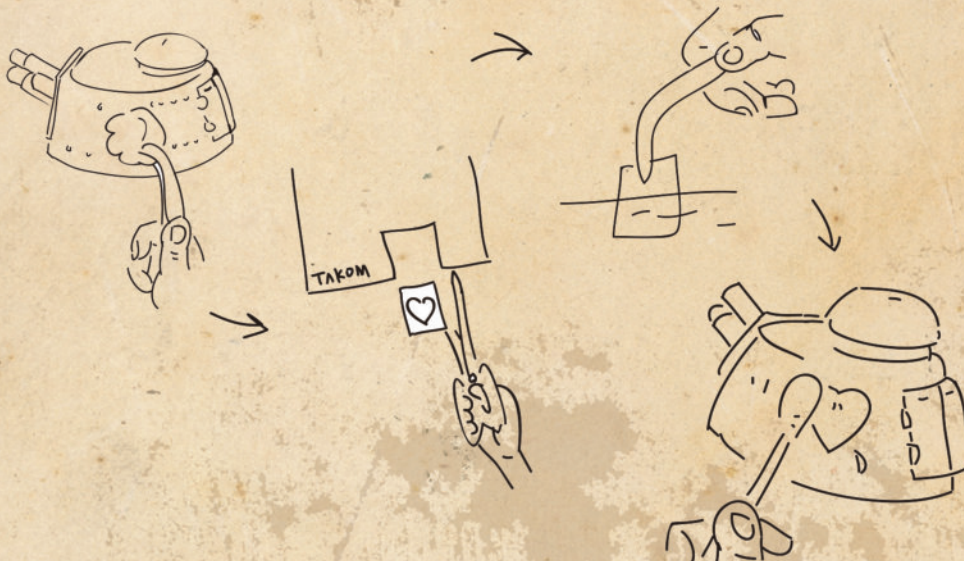
PAINTS REQUIRED

Color info and profiles by Mig Jimenez

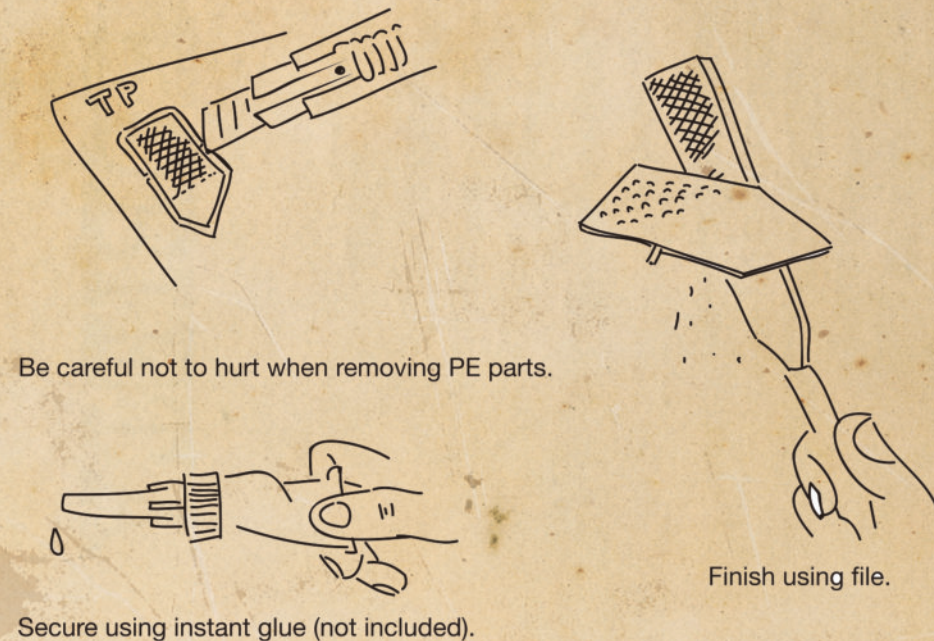
A.MIG 033	Rubber & Tires	A.MIG 035	Dark Tracks	A.MIG 036	Old Wood	A.MIG 038	Old Wood
A.MIG 045	Gun Metal	A.MIG 040	Medium Rust	A.MIG 093	Crystal Red	A.MIG 002	Olivgrun Opt.2
A.MIG 010	Dunkelgelb Mid war	A.MIG 046	Cremeweiss	A.MIG 014	Rotbraun	A.MIG 017	Matt Black
A.MIG 192	Polished Metal	A.MIG 032	Satin Black	A.MIG 190	Old Brass	A.MIG 218	Schwarzgrau
A.MIG 008	Dunkelgrau	A.MIG 101	Dunkelgelb	A.MIG 042	Old Rust	A.MIG 015	Schokobraun
A.MIG 194	Matt Aluminum	A.MIG 096	Crystal Periscope Green				

APPLYING DECALS

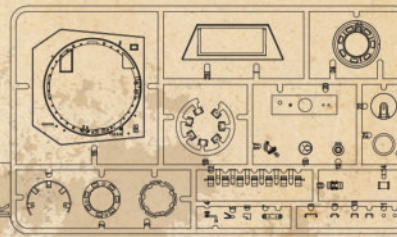
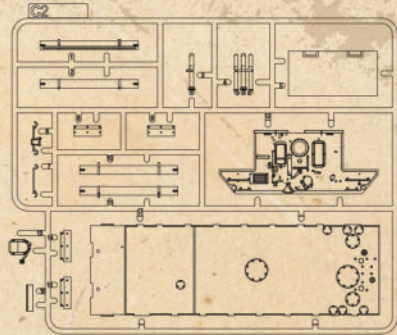
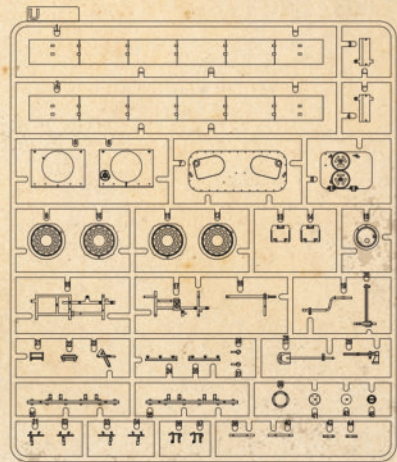
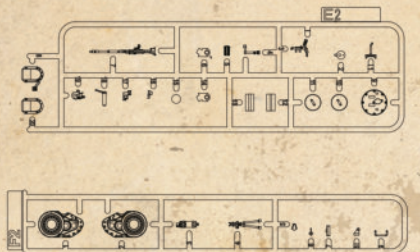
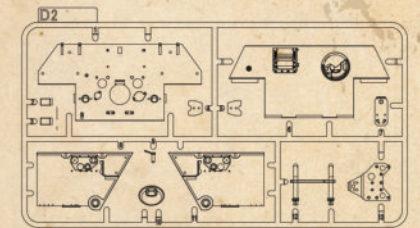
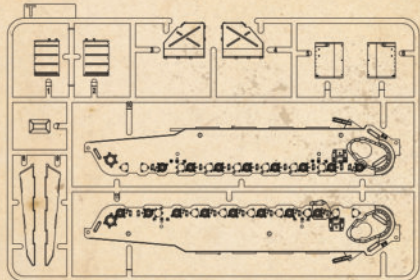
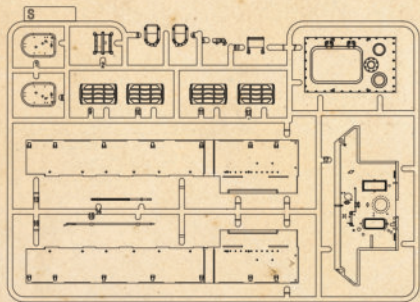
1. Clean the model surface with a wet cloth.
2. Cut out each decal design from sheet, and dip it in tepid water for 15~20 sec.
3. Hold the backing sheet edge and slide decal onto the model.
4. Move decal into position by wetting decal with finger.
5. Press decal gently down with a soft cloth until excess water and air bubbles are gone.



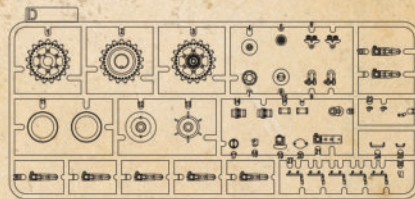
REMOVING PE



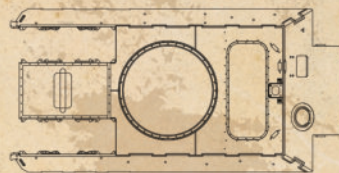
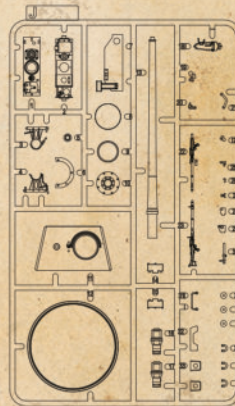
PARTS



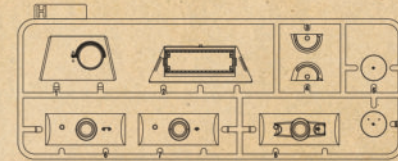
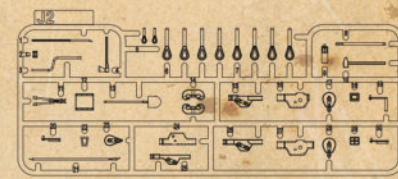
X2



X2



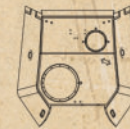
Upper Hull



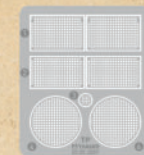
Z1



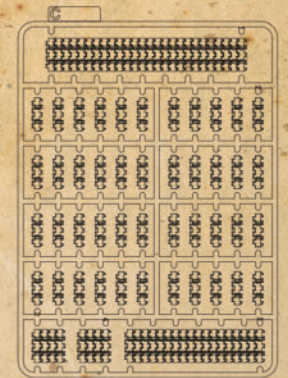
Z2



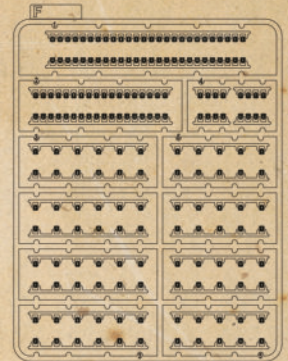
Turret



TP



X2



X2

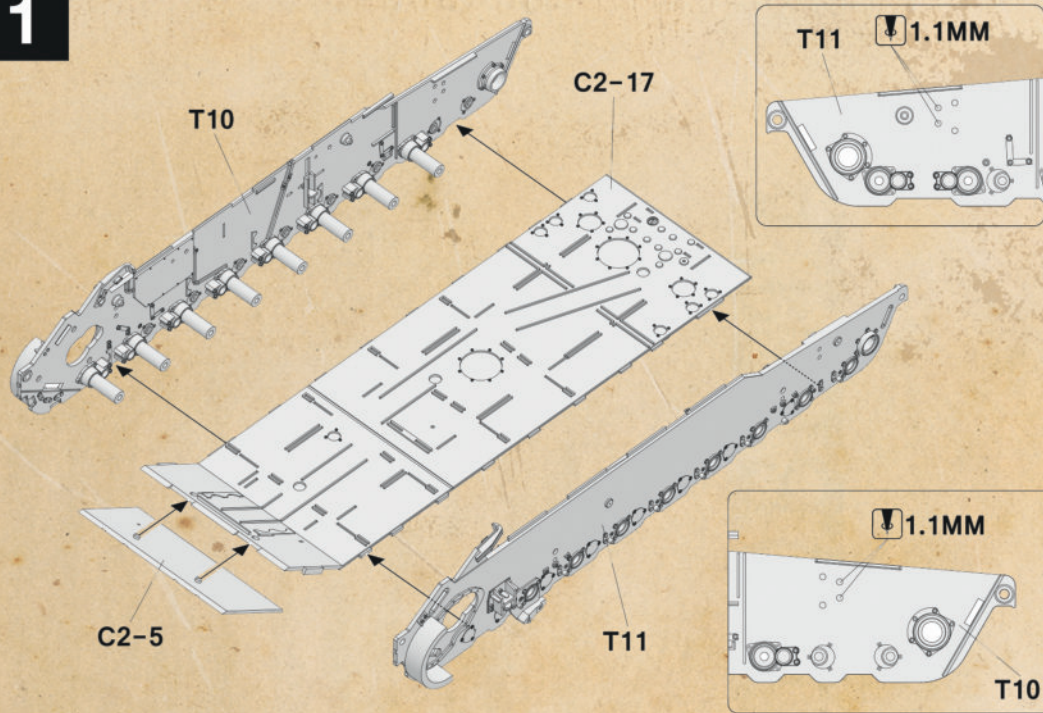


Cable

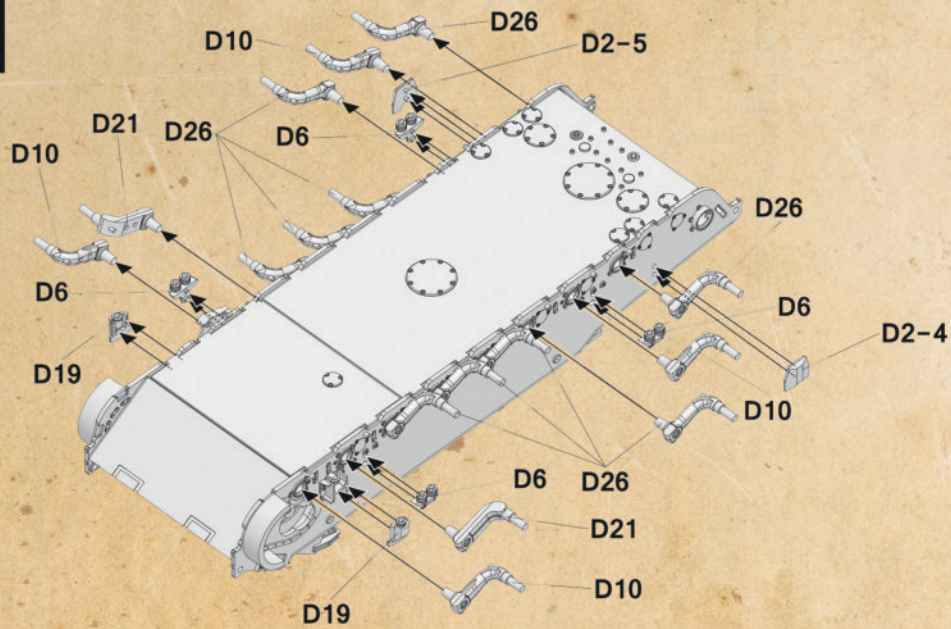
435 425 211 211
435 425 +++

Decal

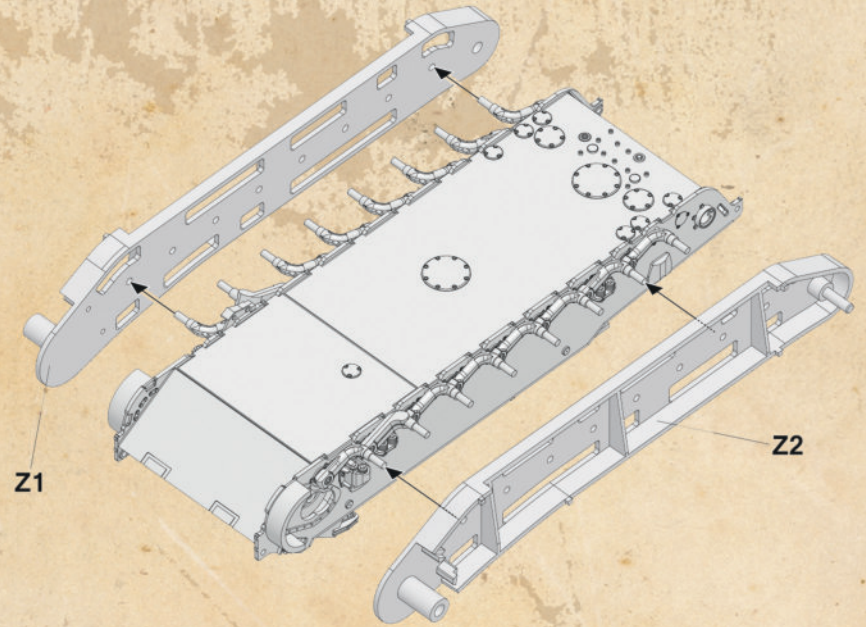
1



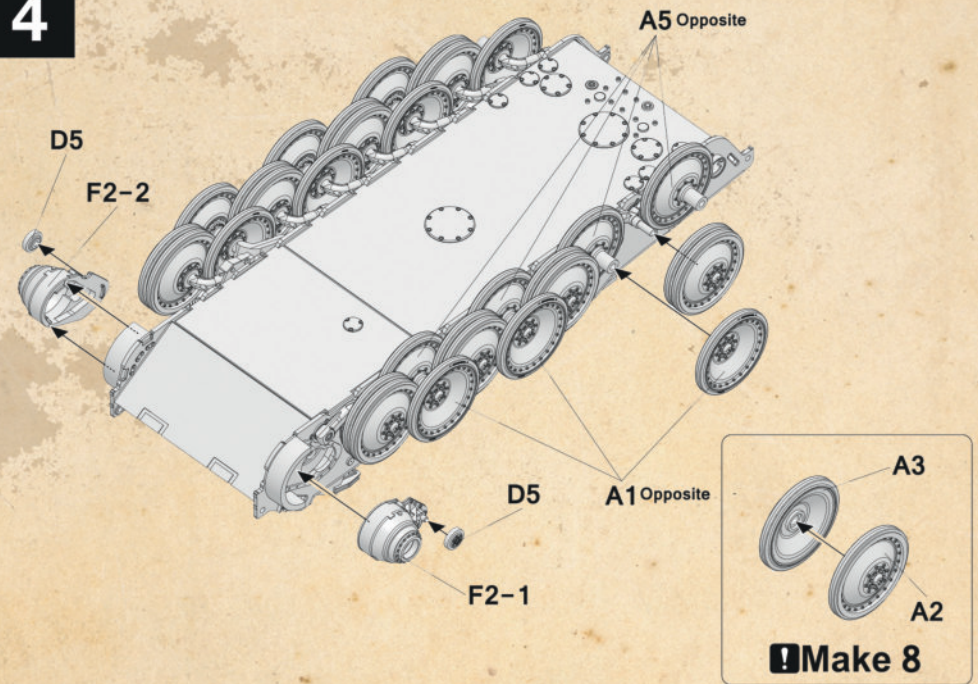
2

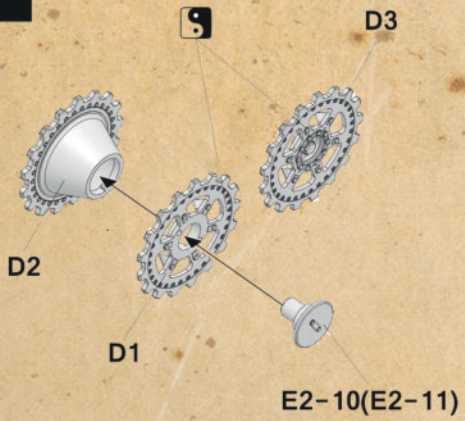


3

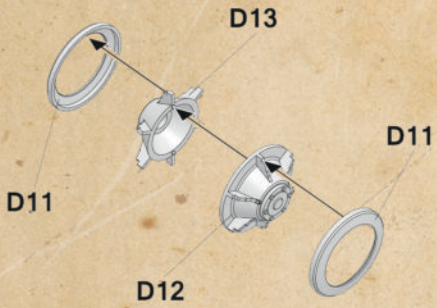


4

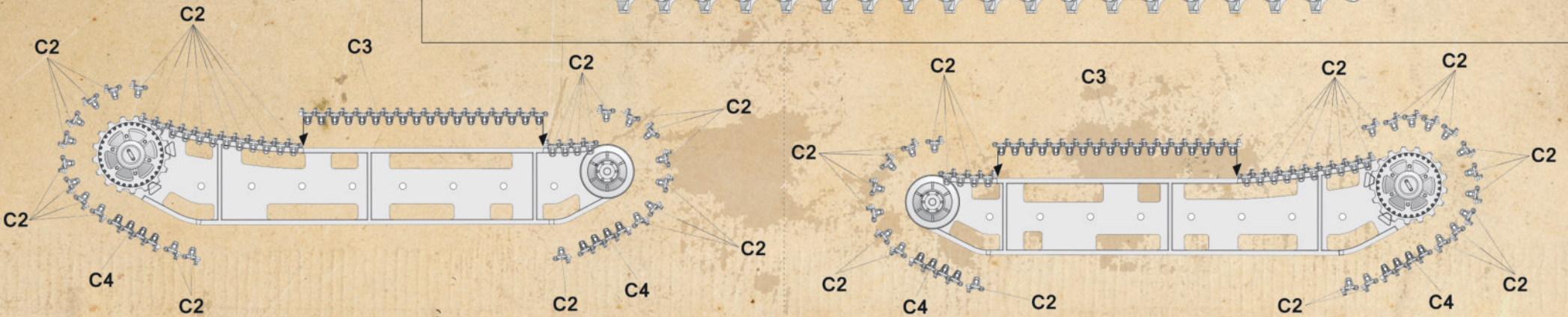




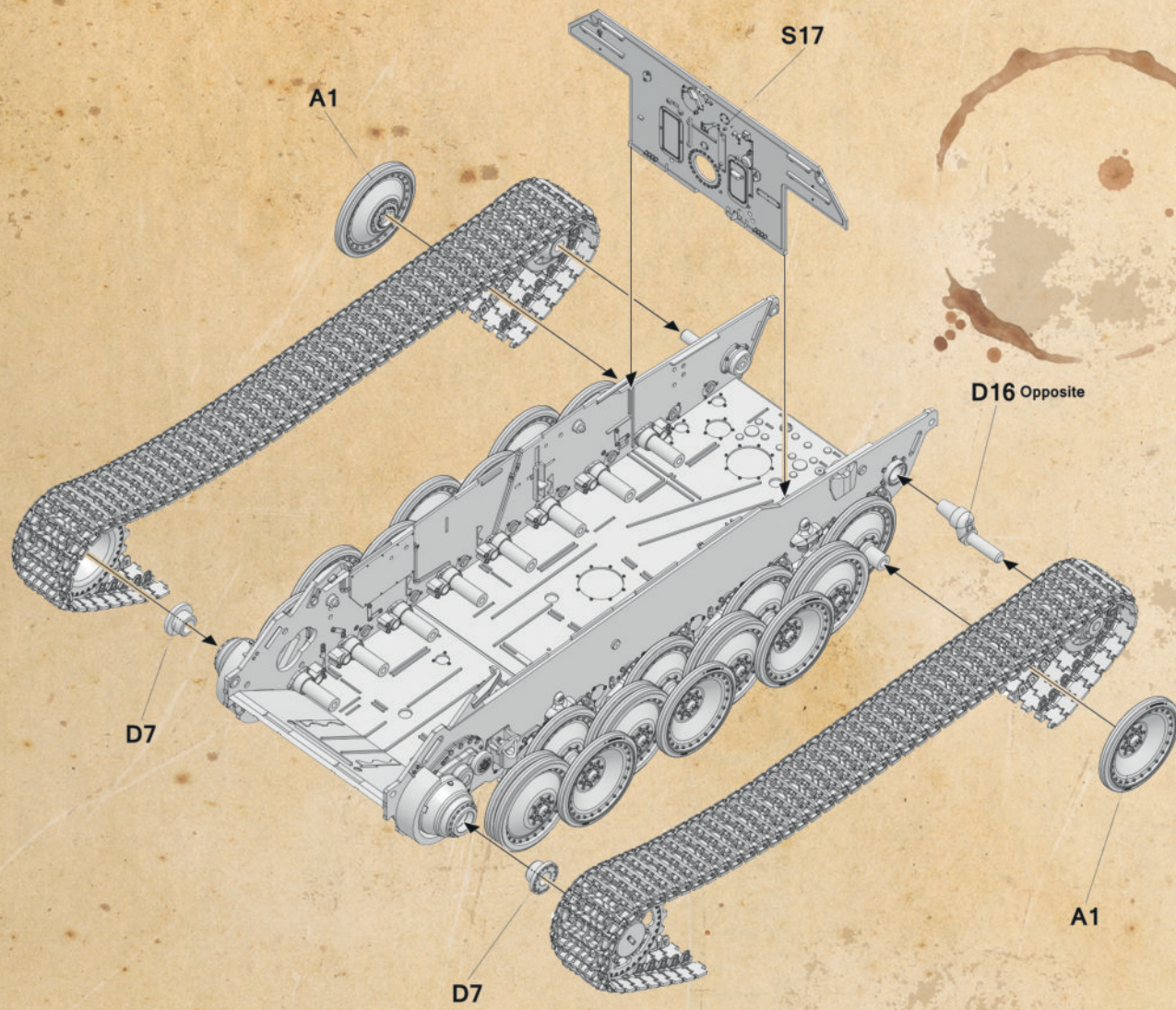
Make 2



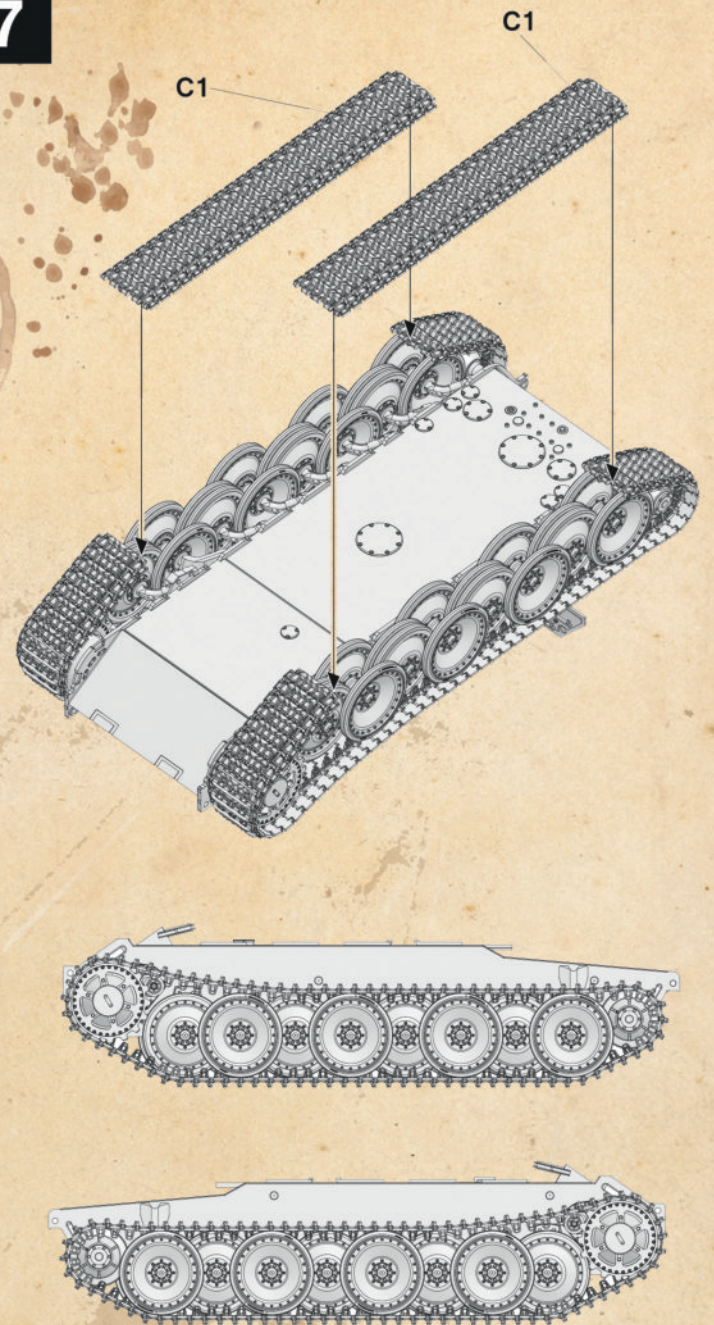
Make 2



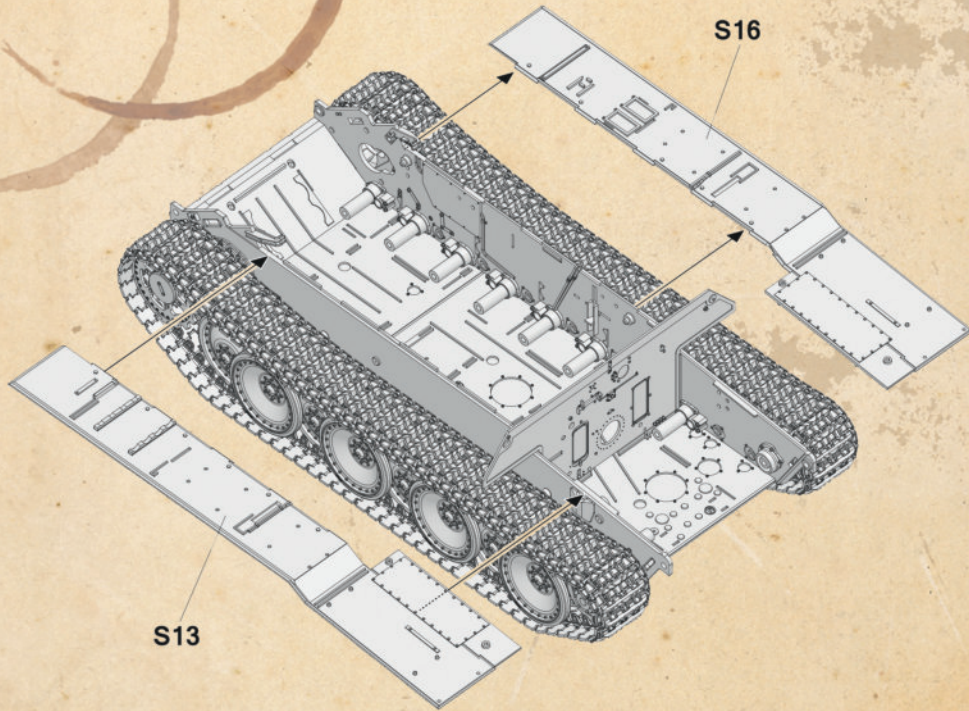
6



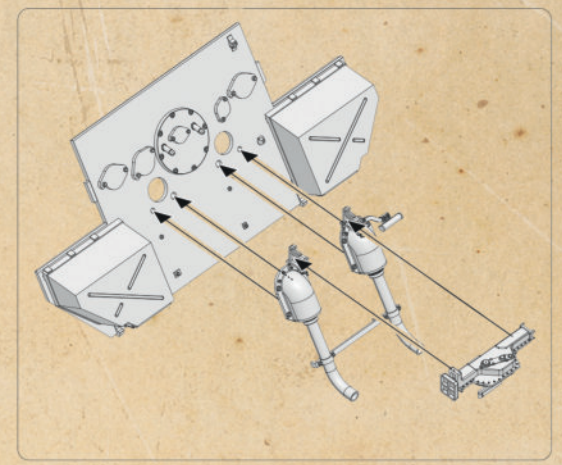
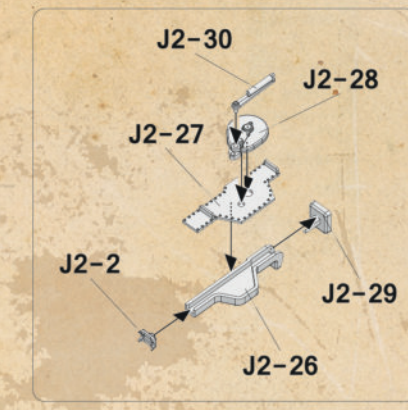
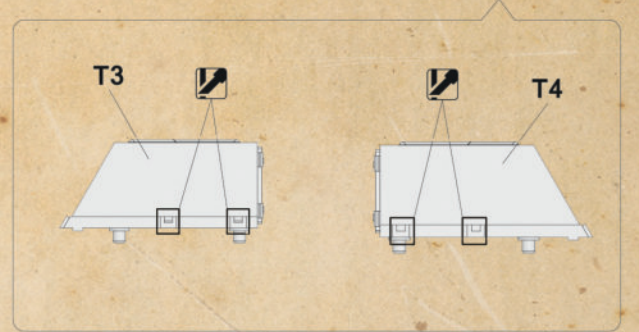
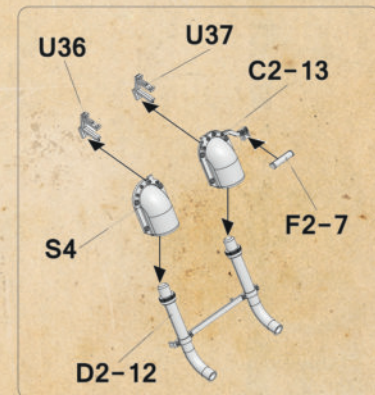
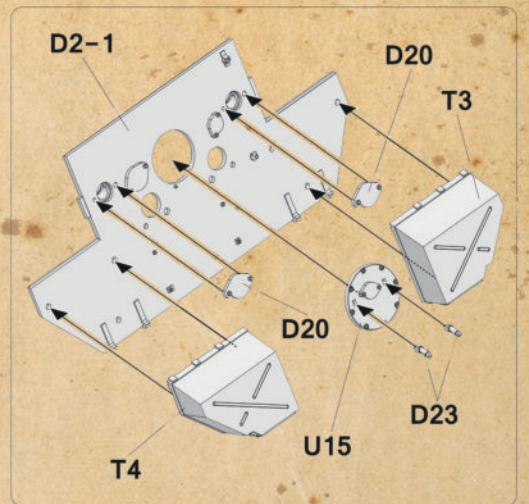
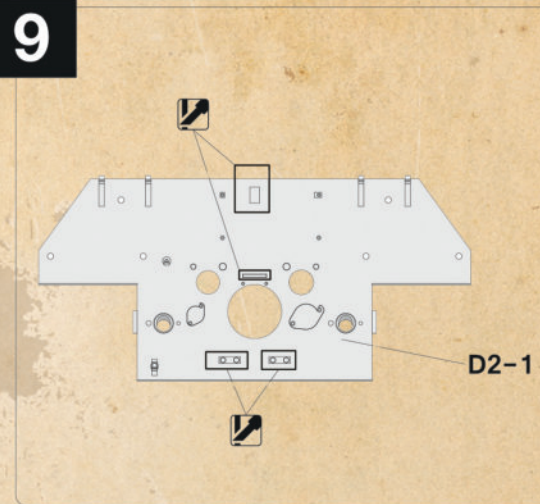
7



8

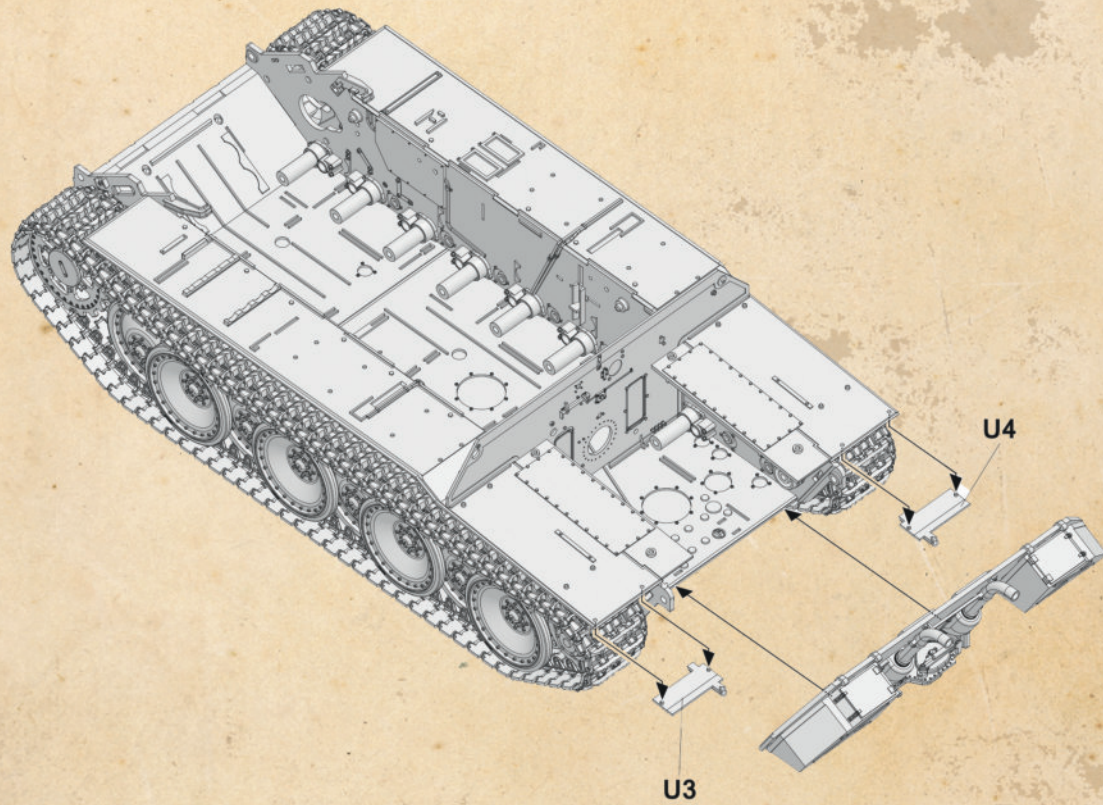


9

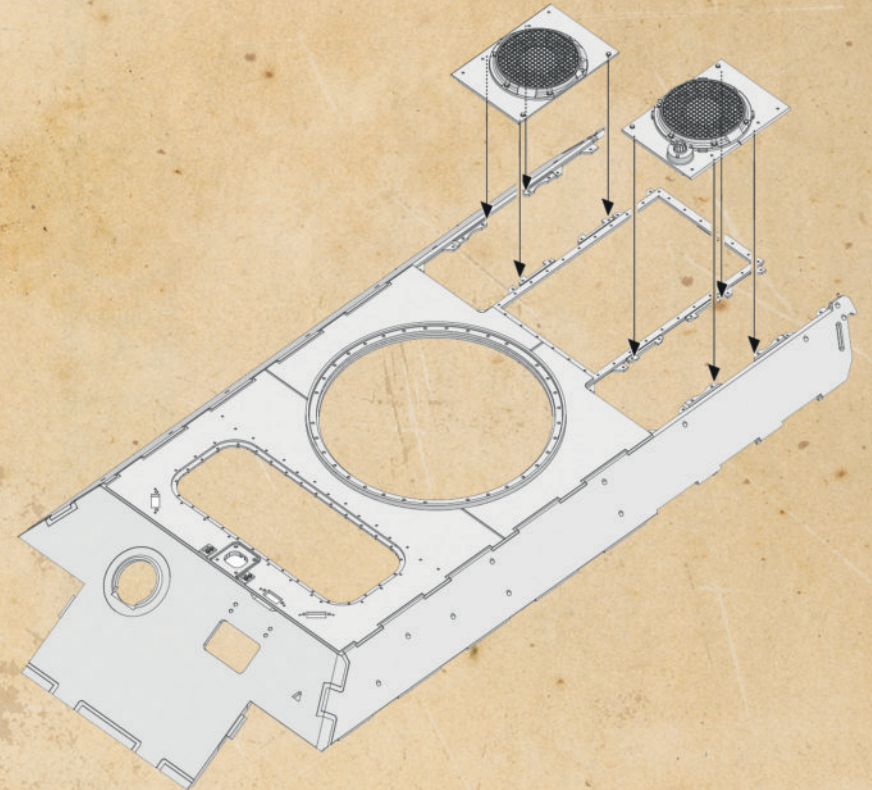
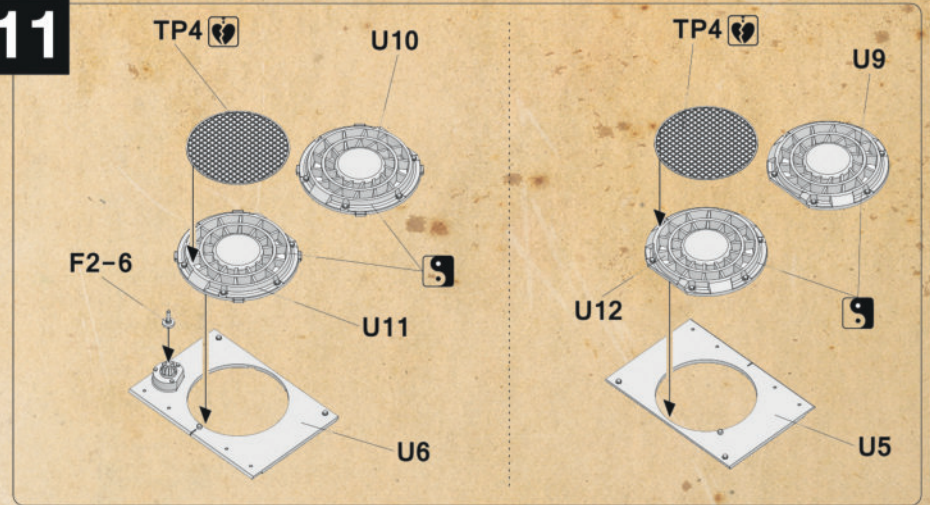


6

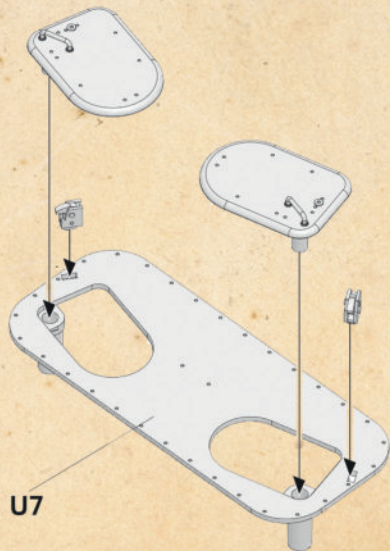
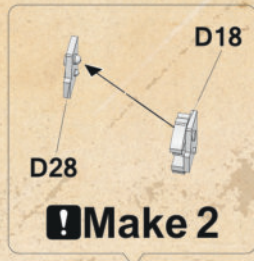
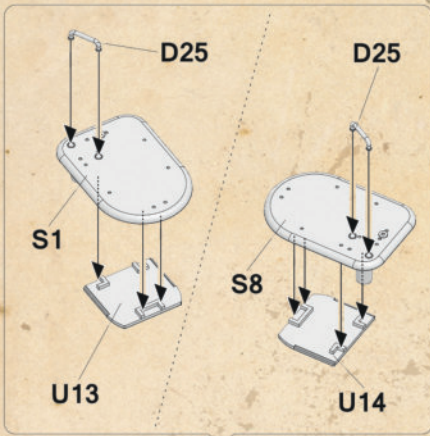
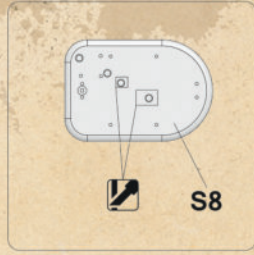
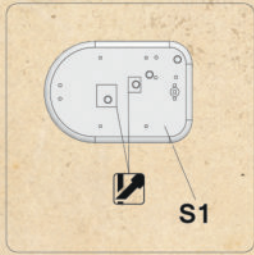
10



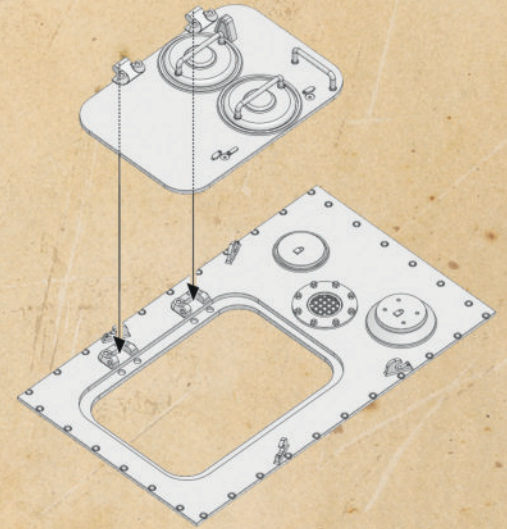
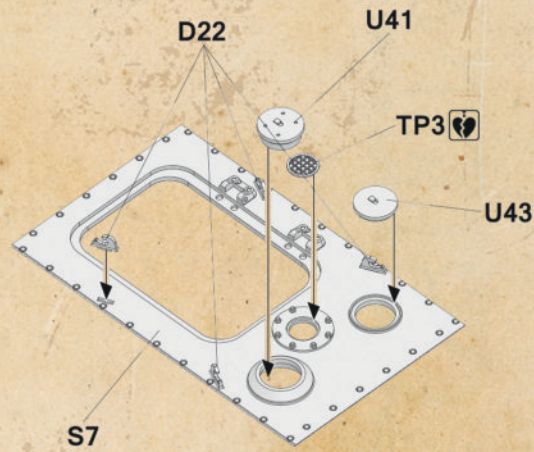
11



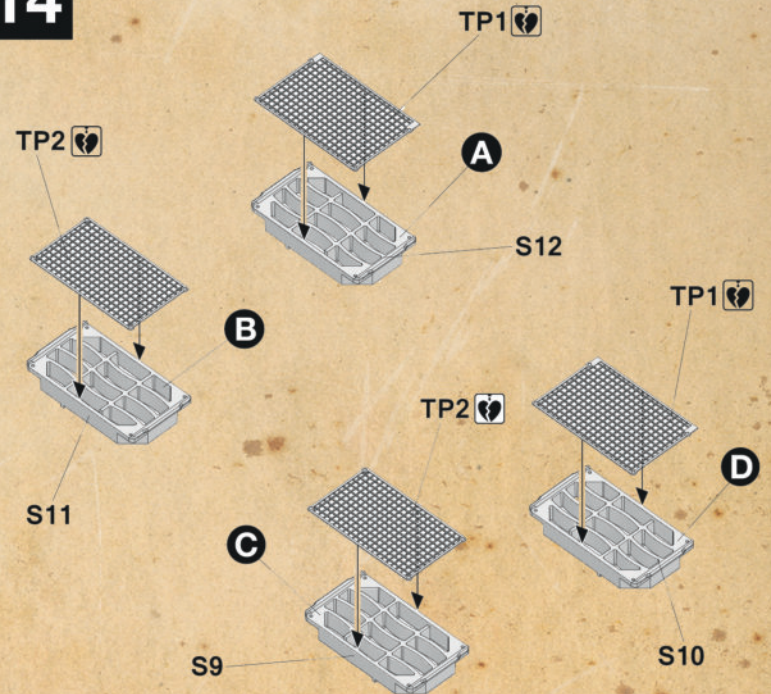
12



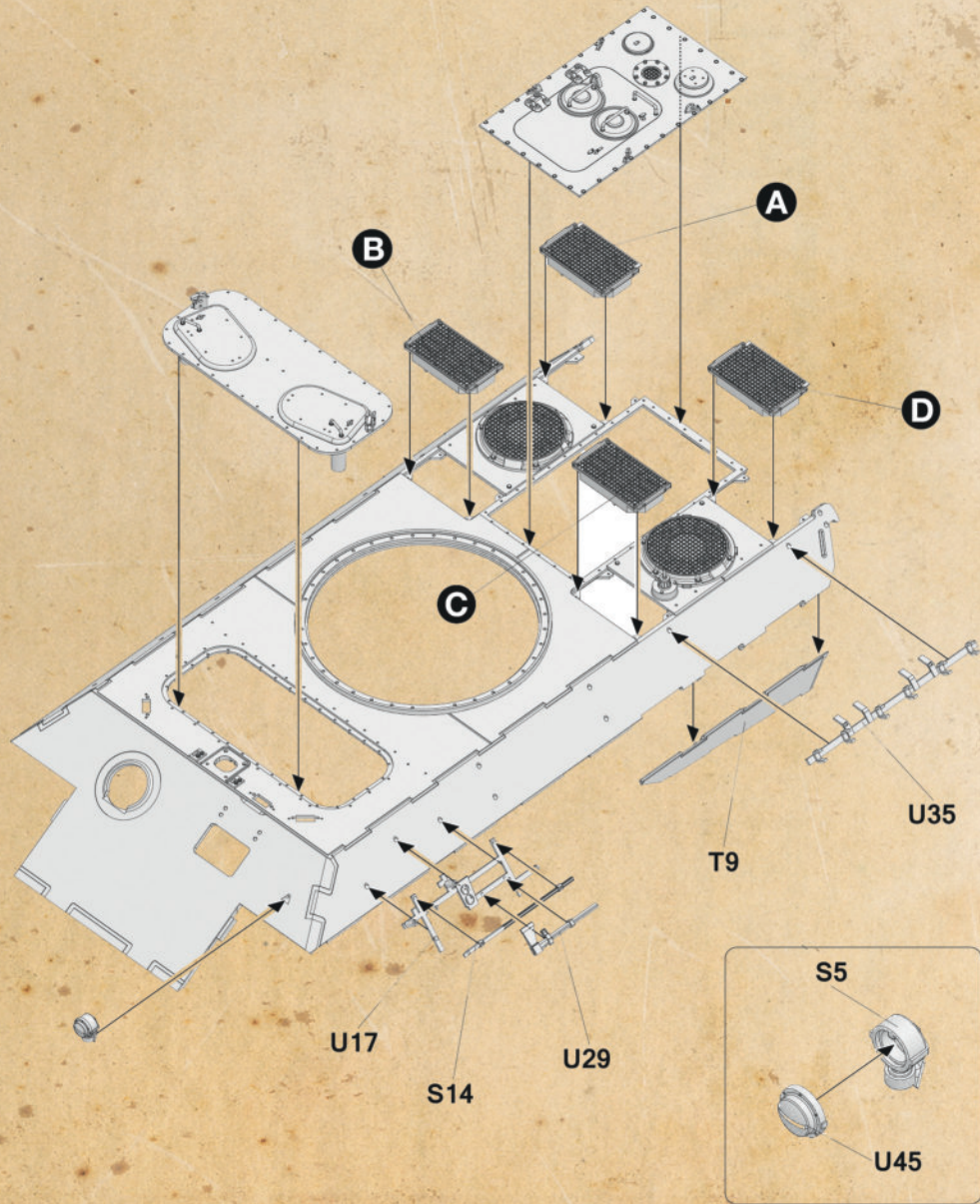
13



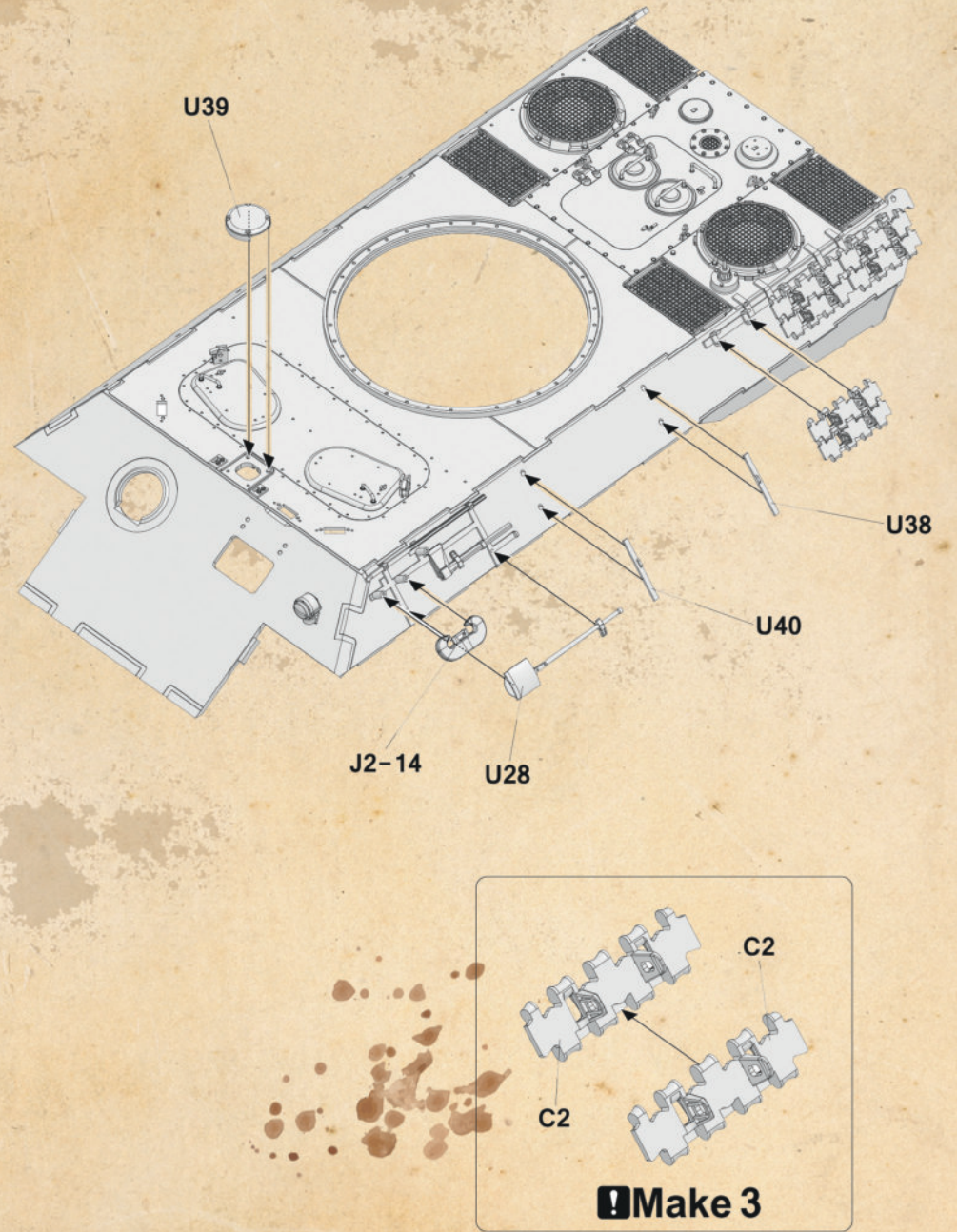
14



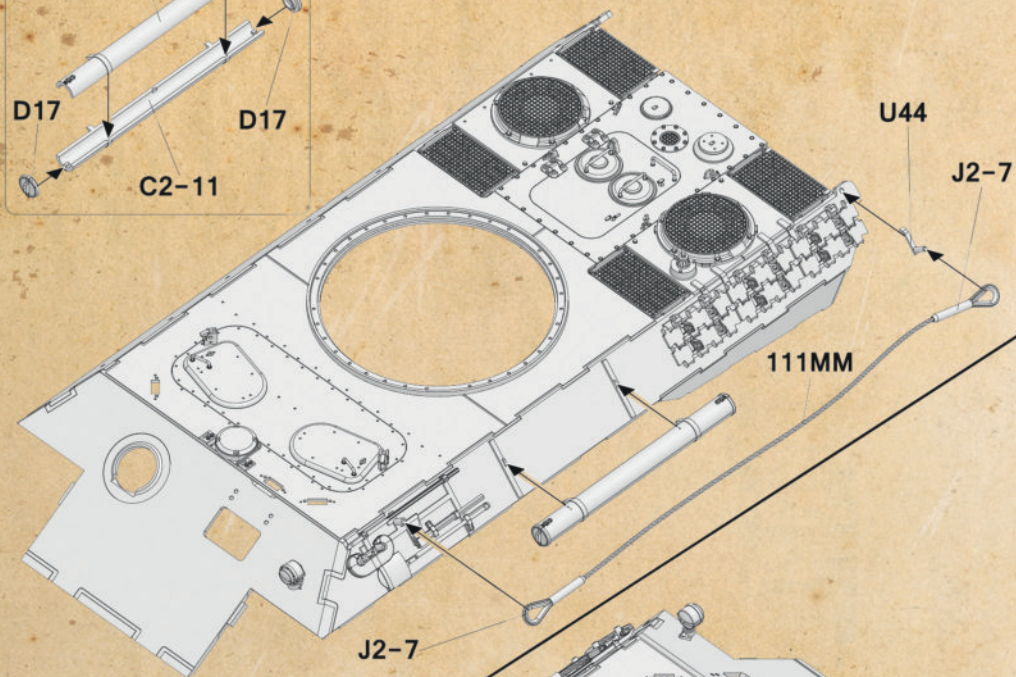
15



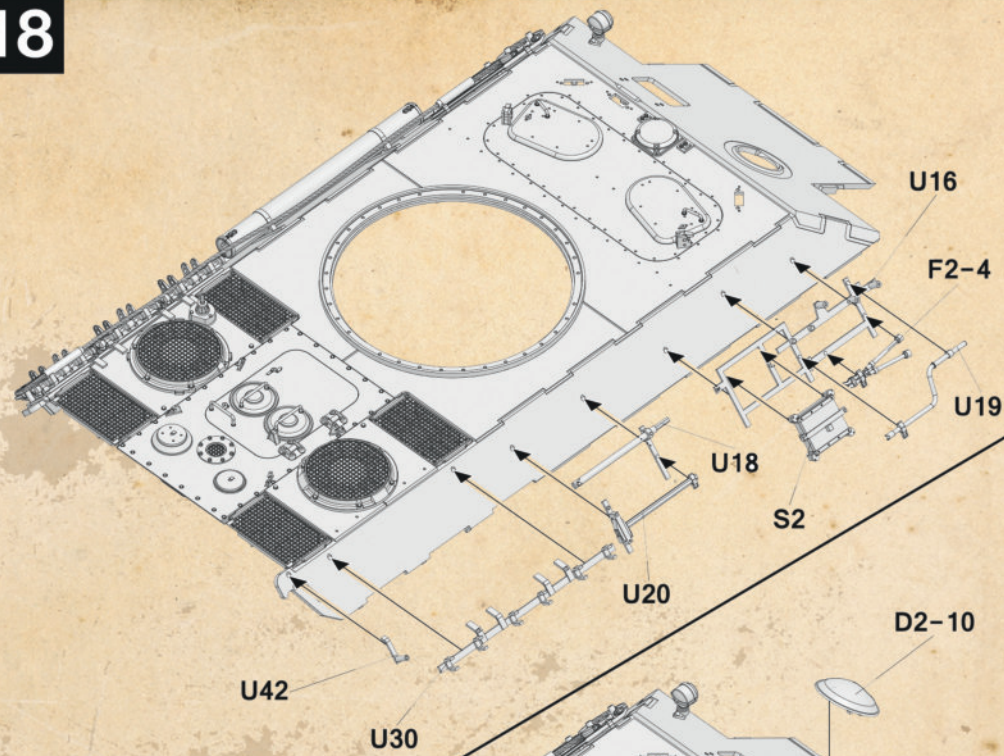
16



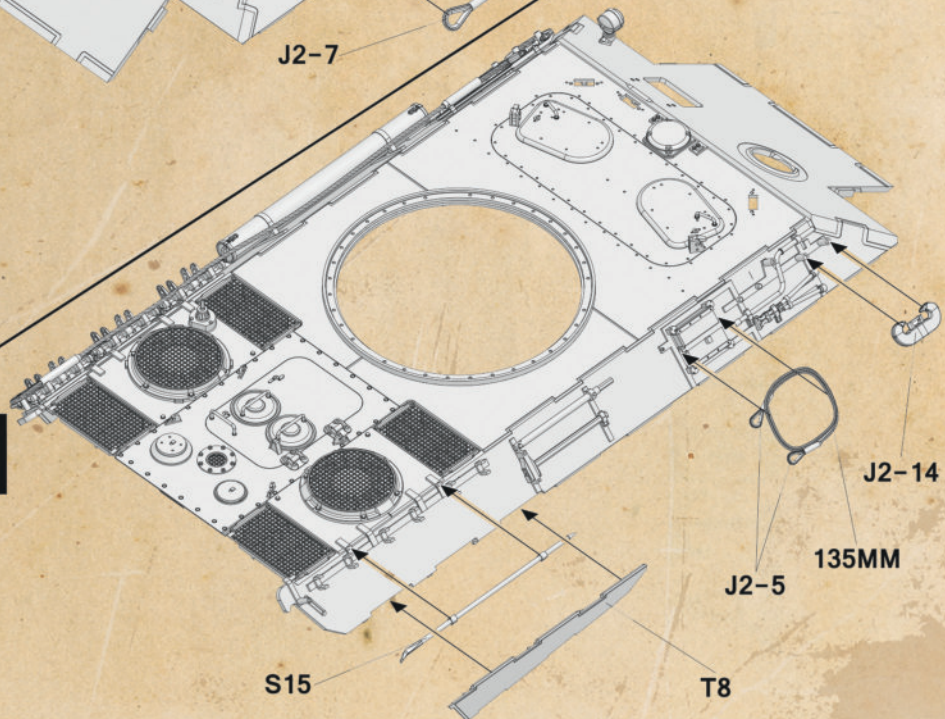
17



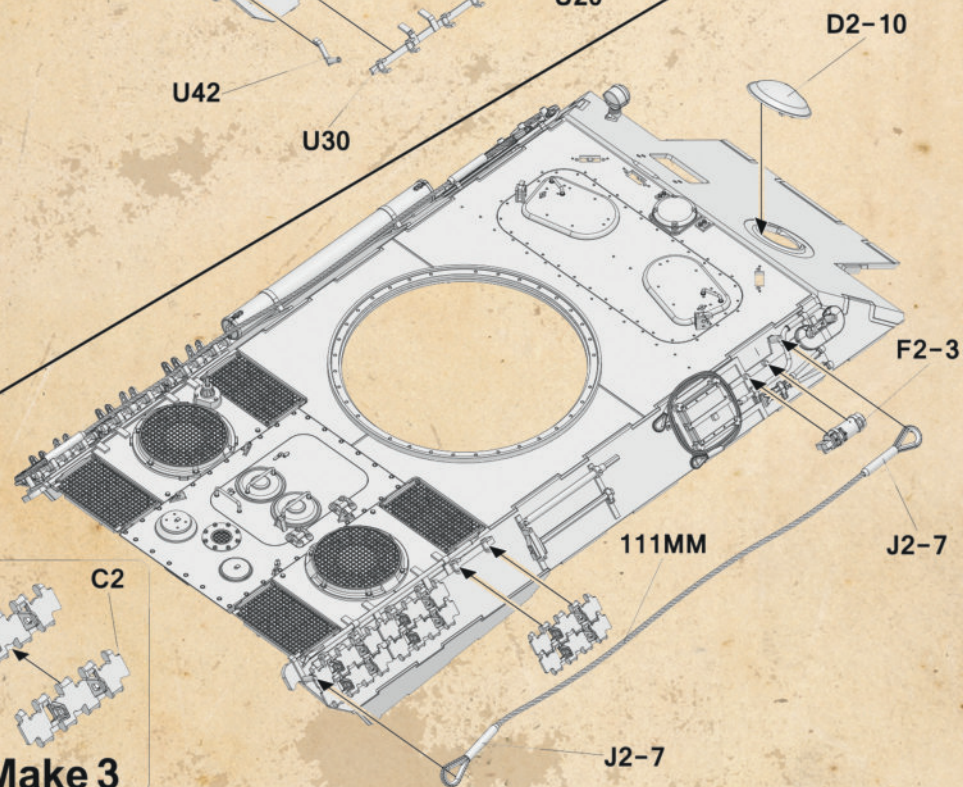
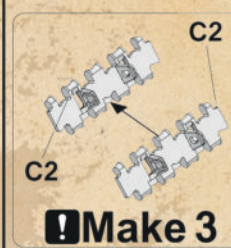
18



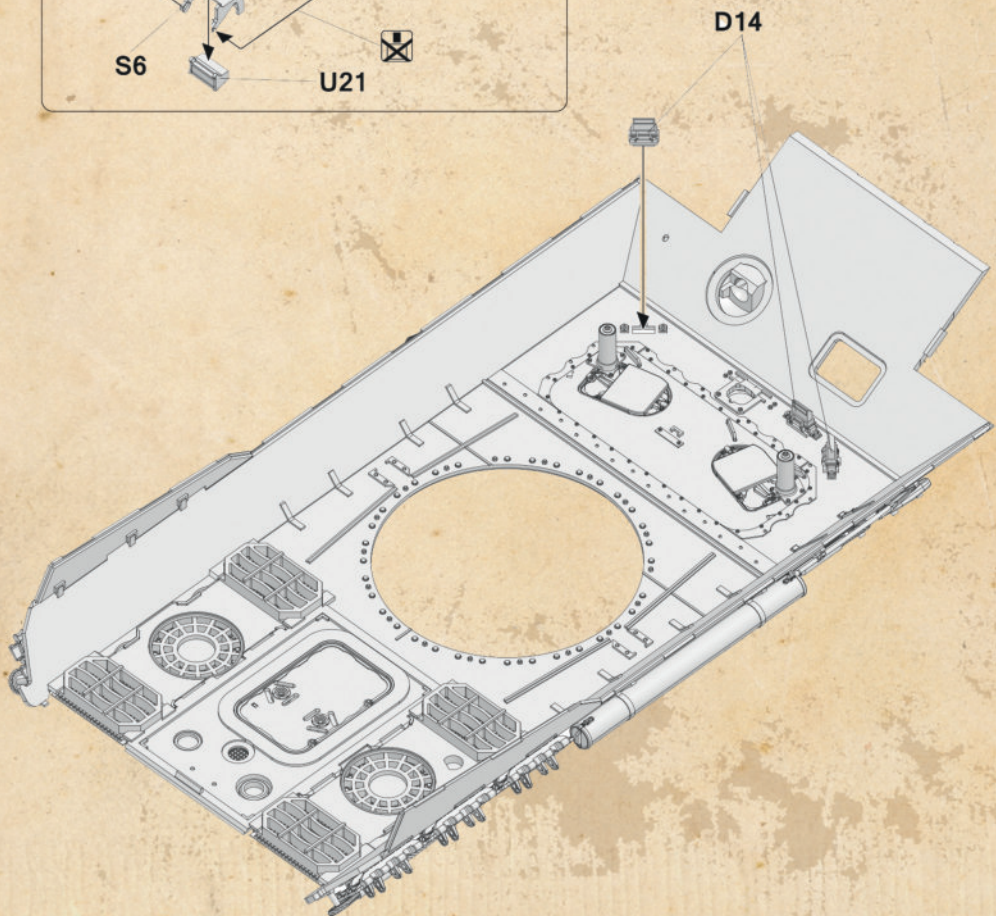
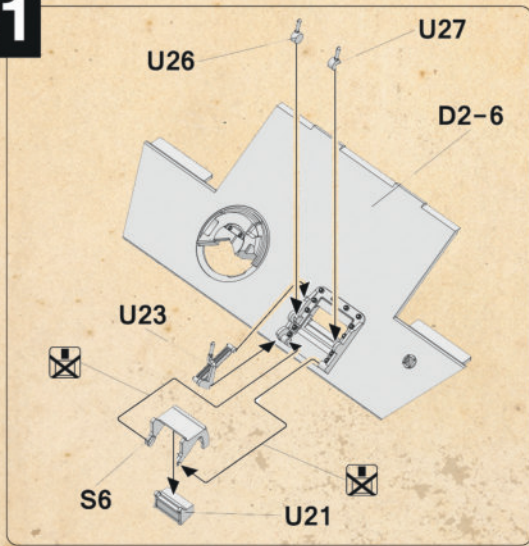
19



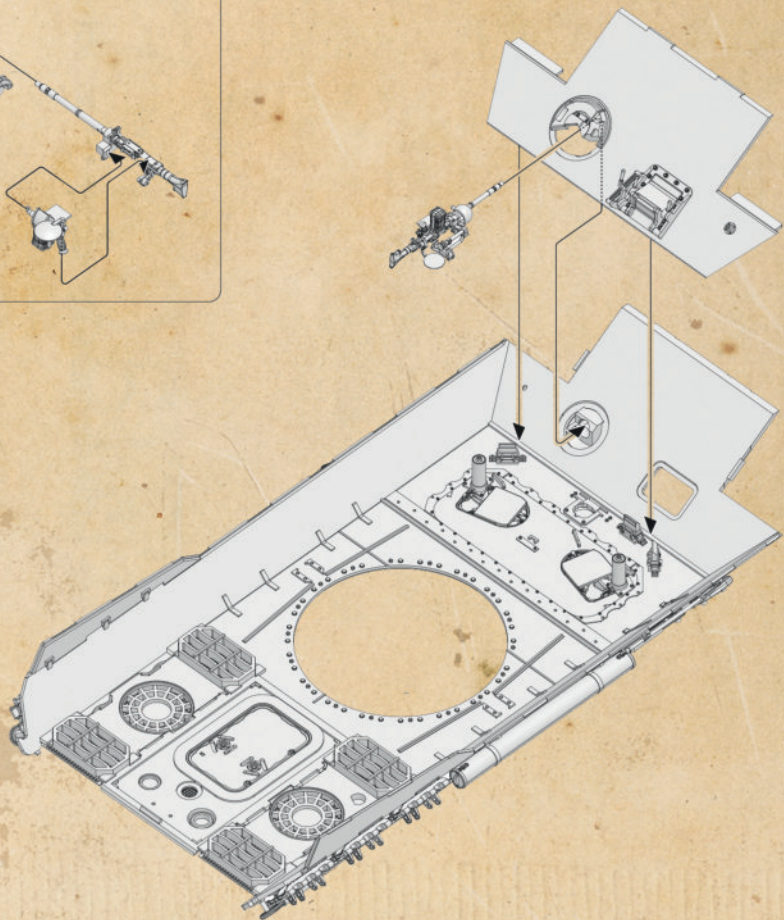
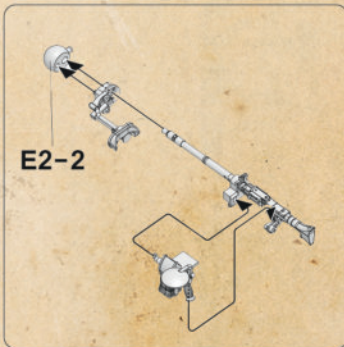
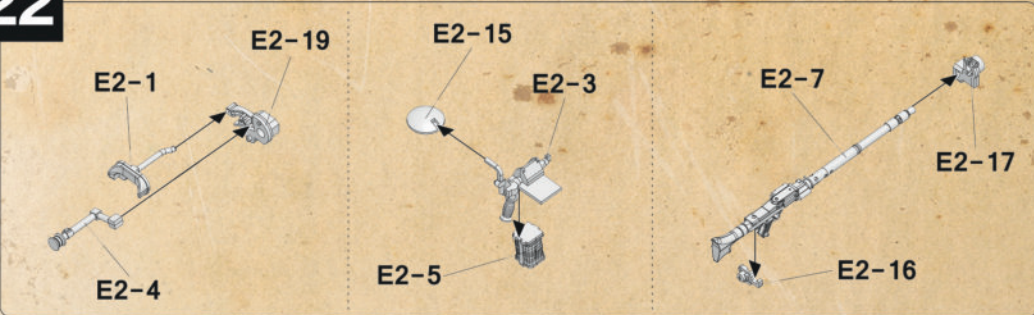
20



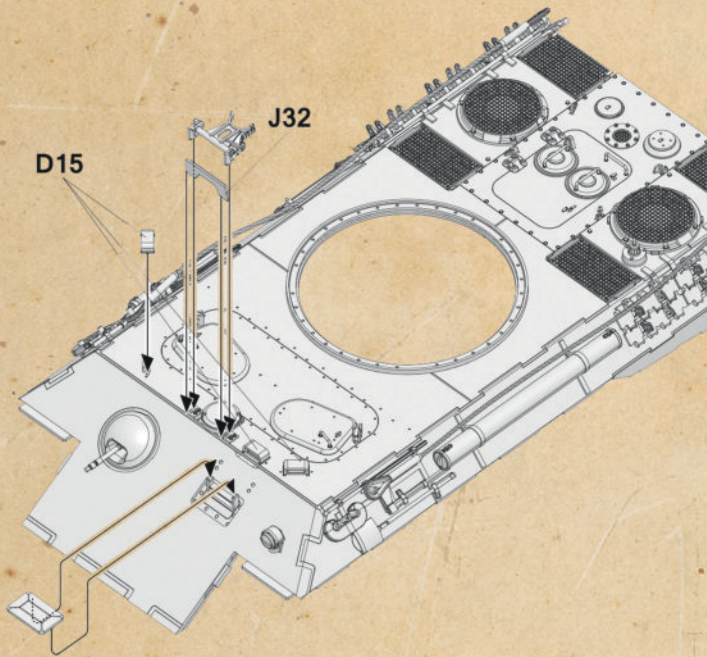
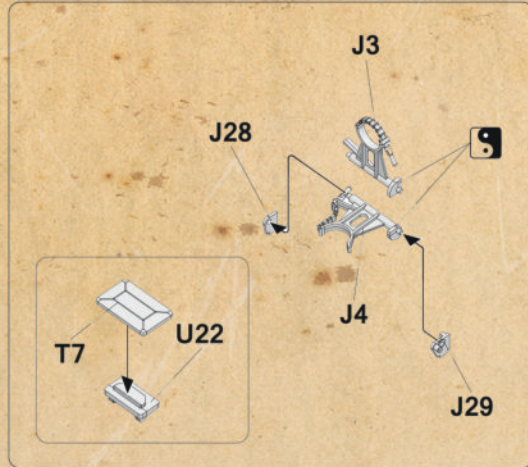
21



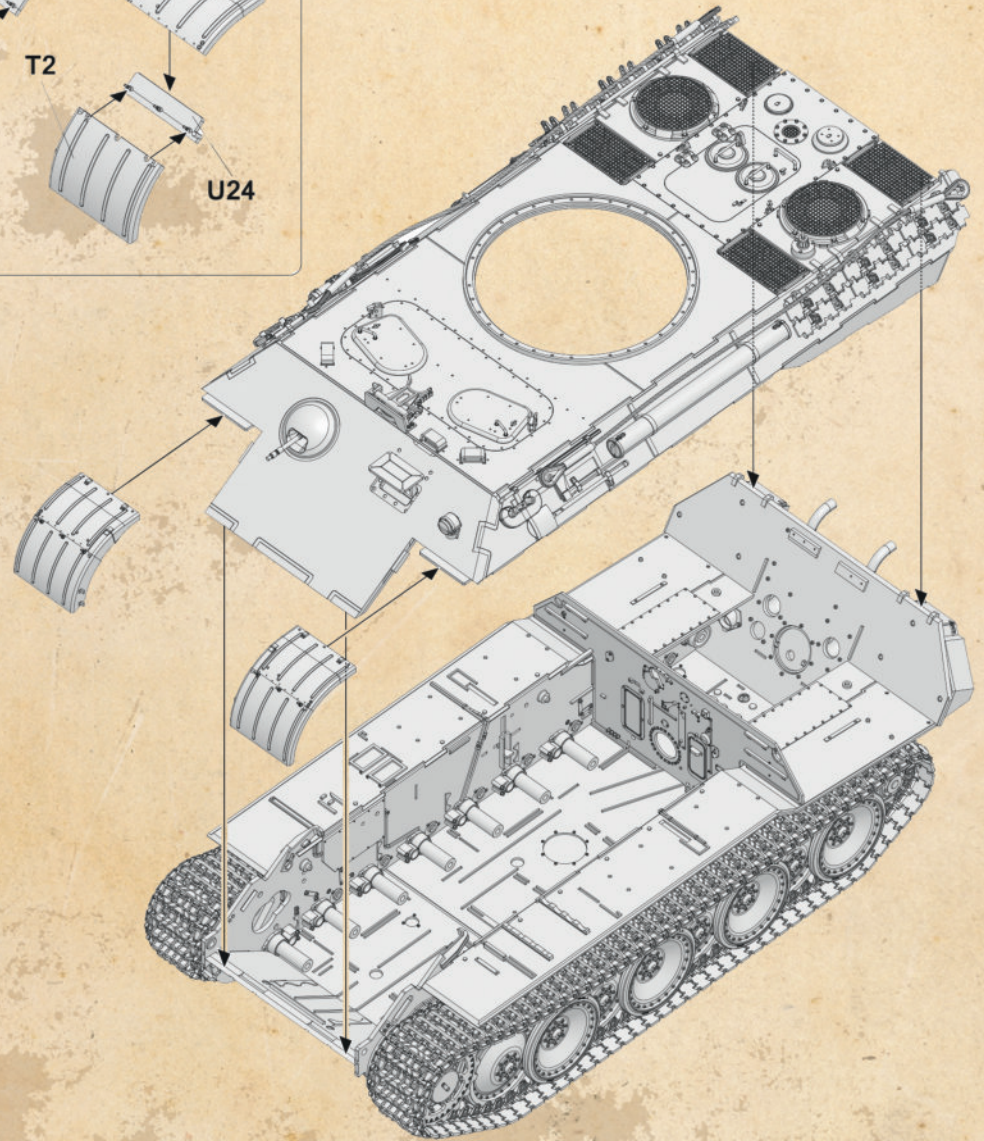
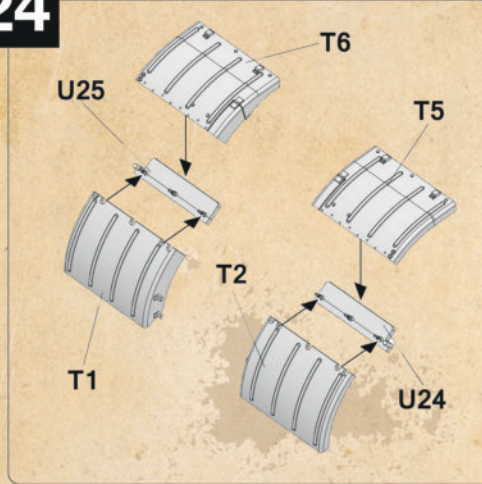
22



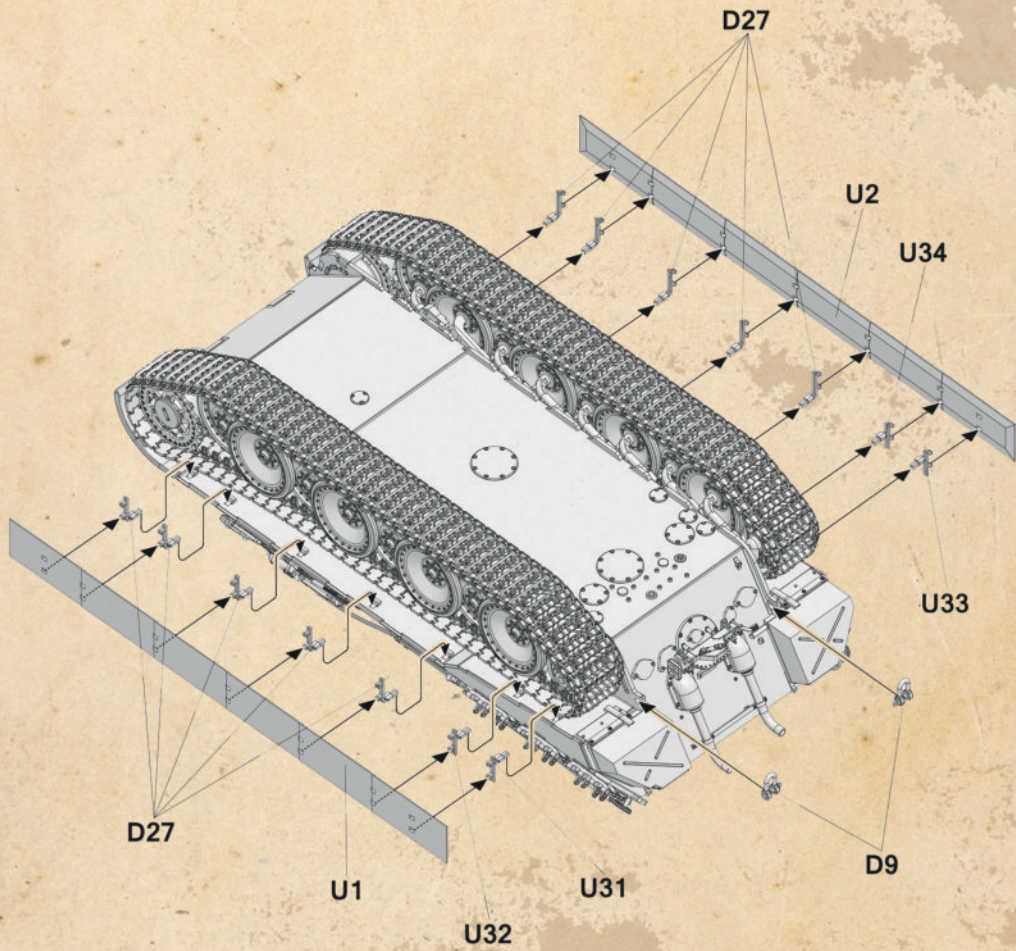
23



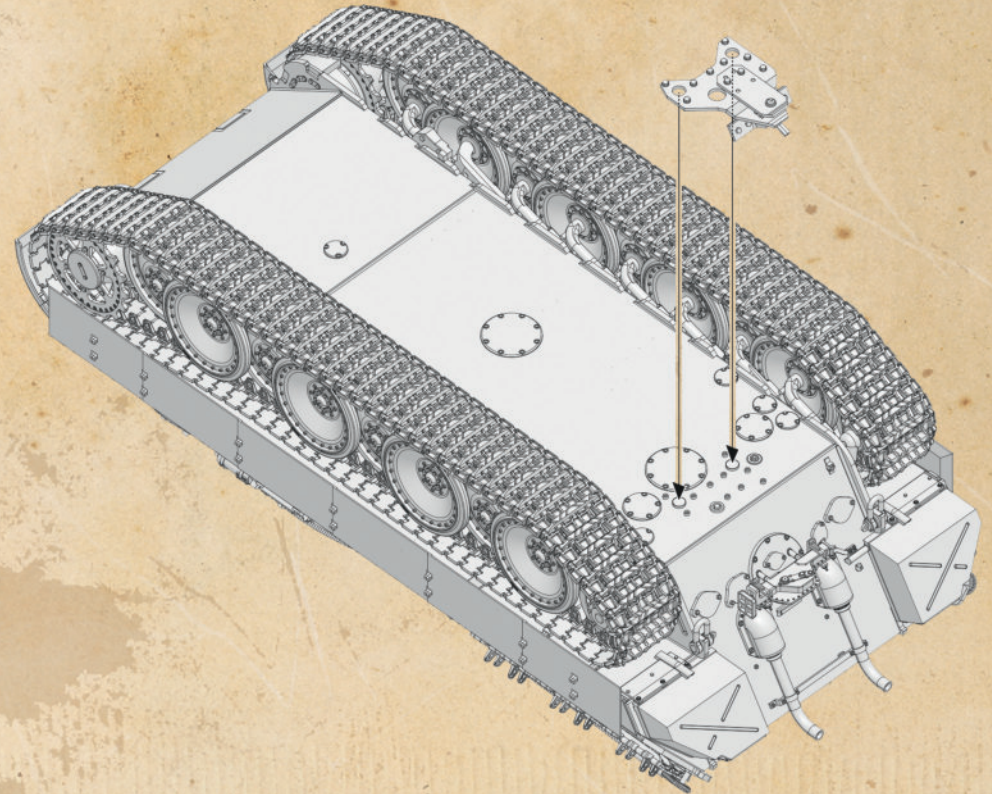
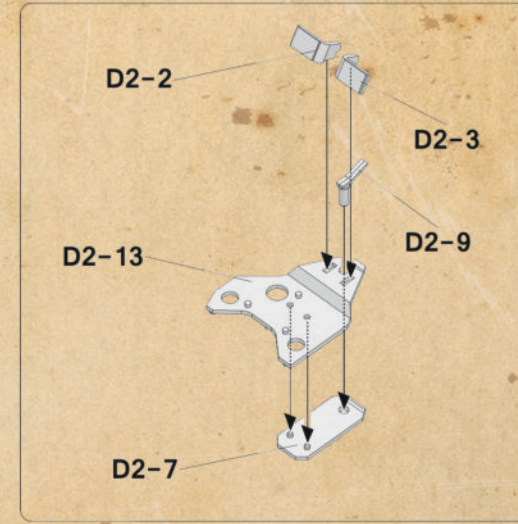
24



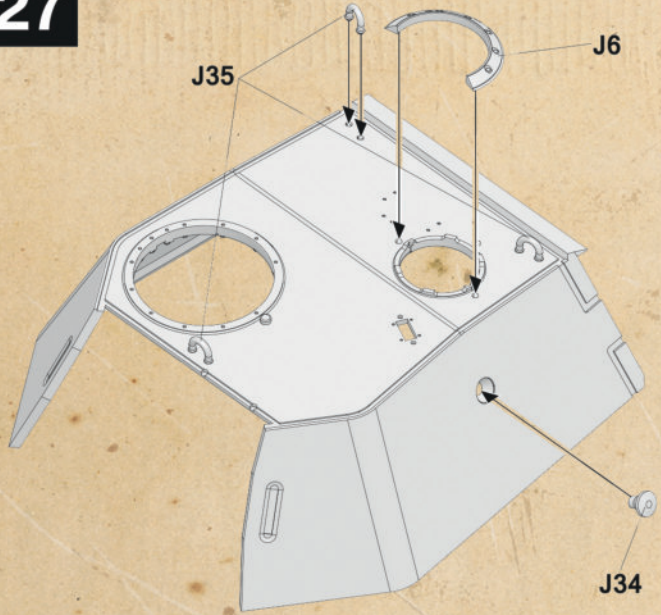
25



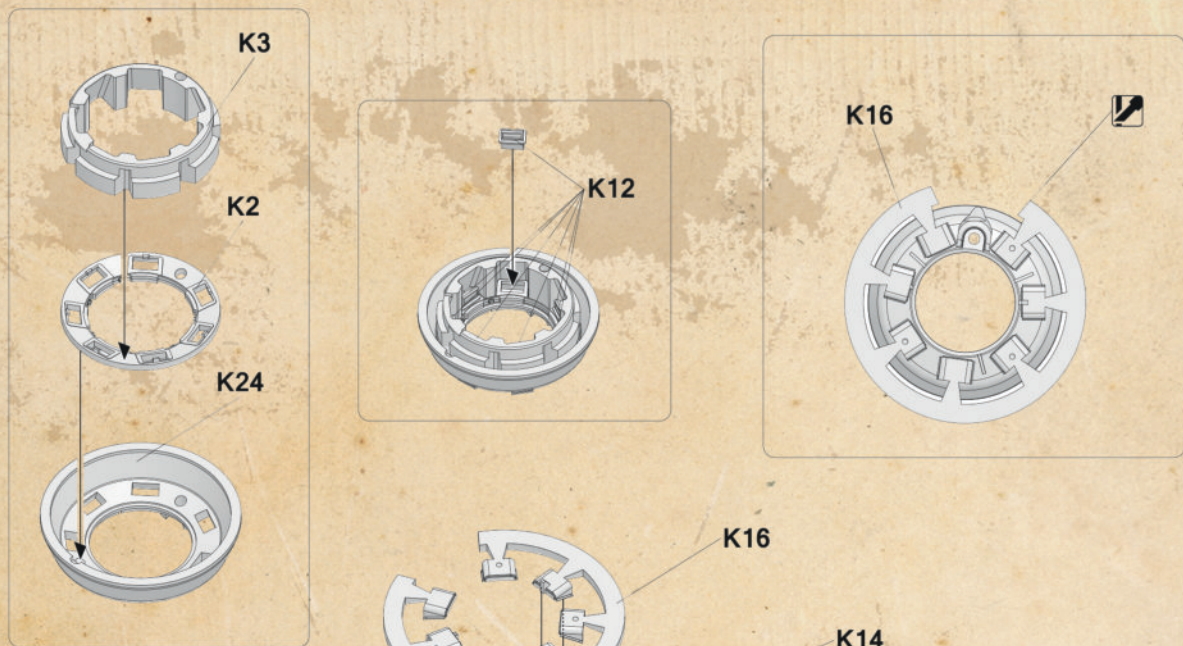
26



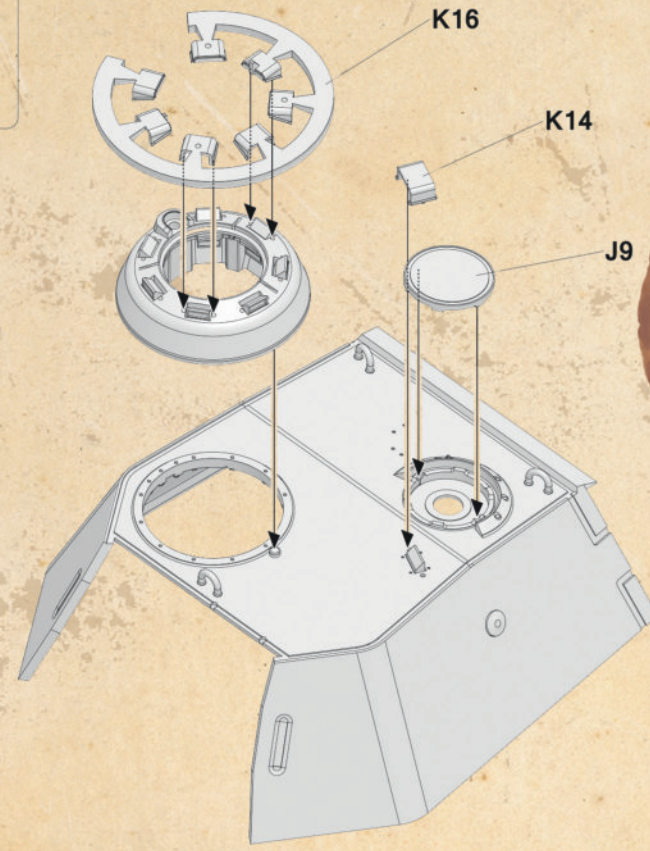
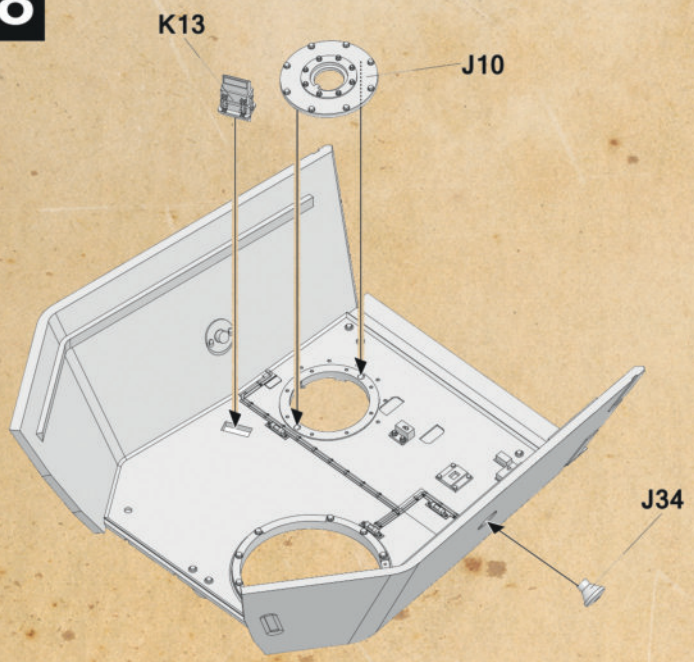
27



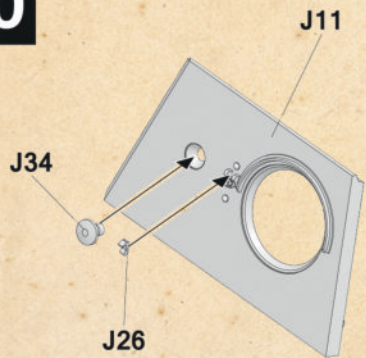
29



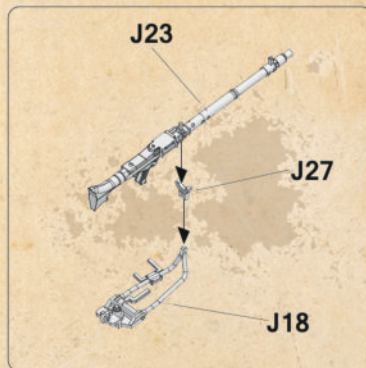
28



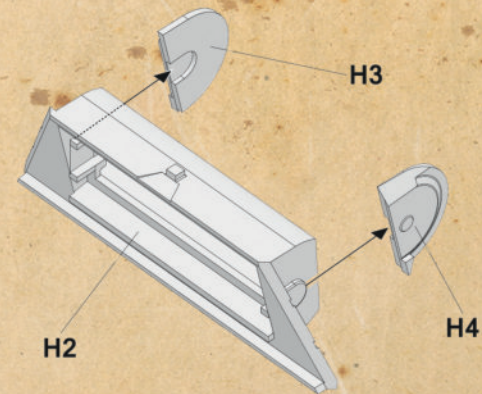
30



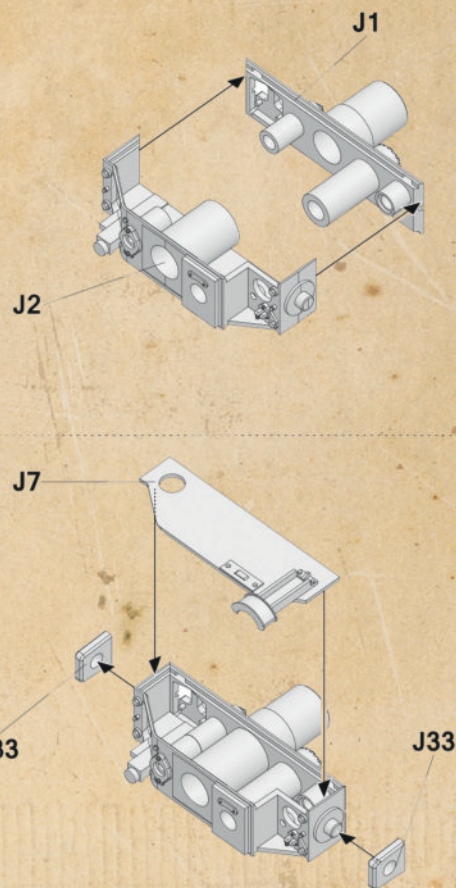
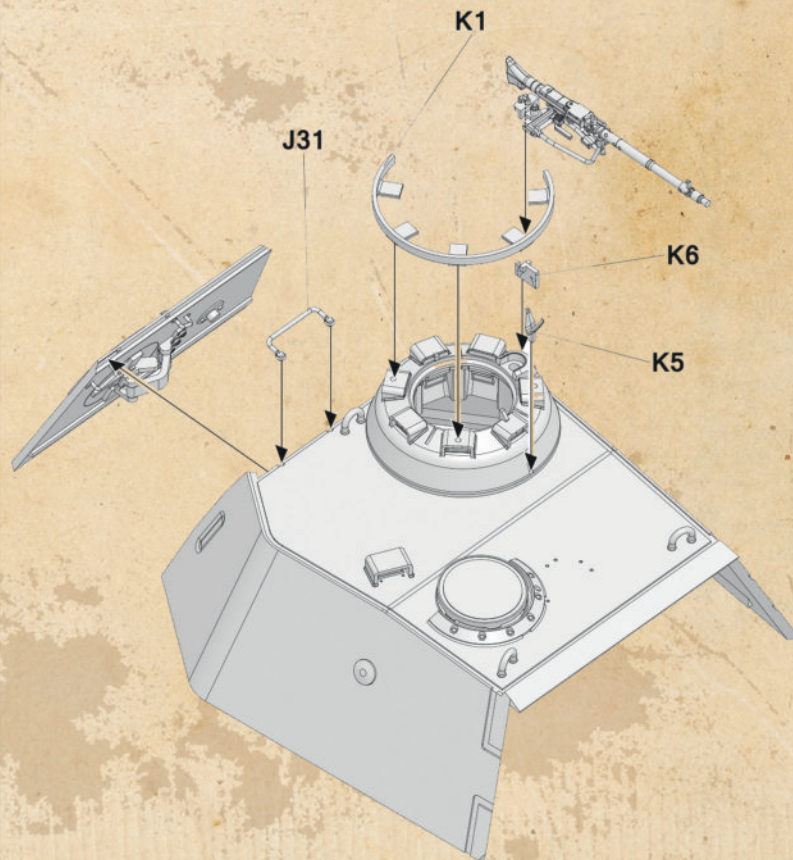
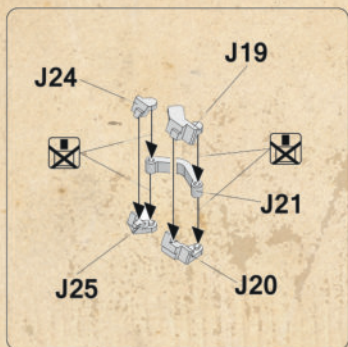
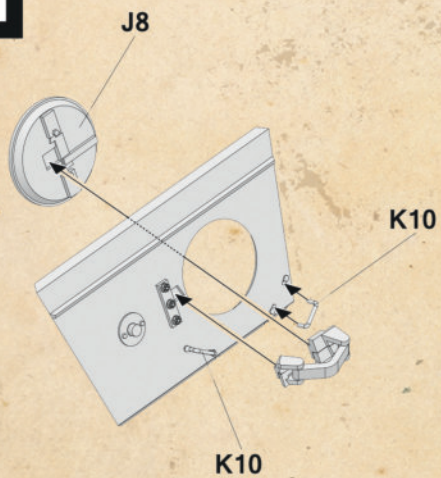
32



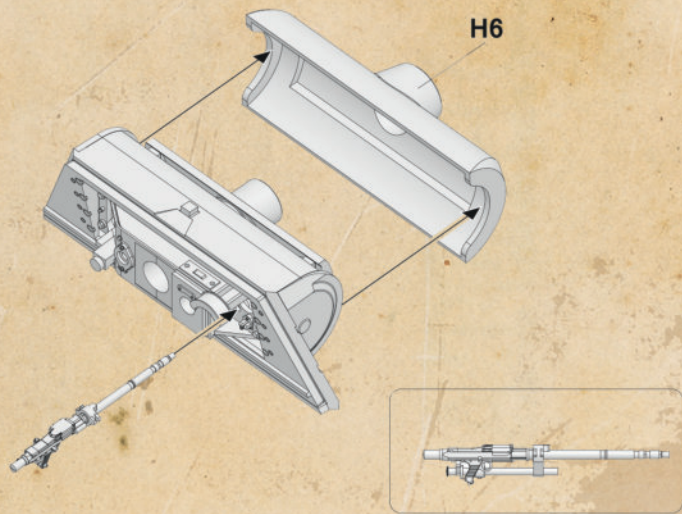
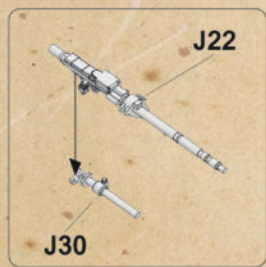
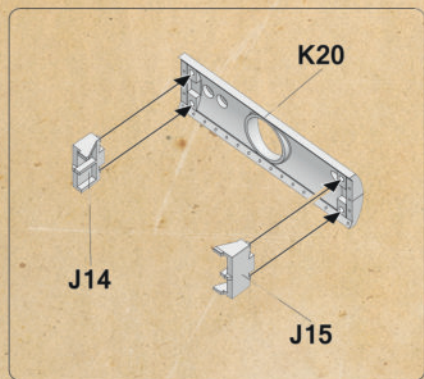
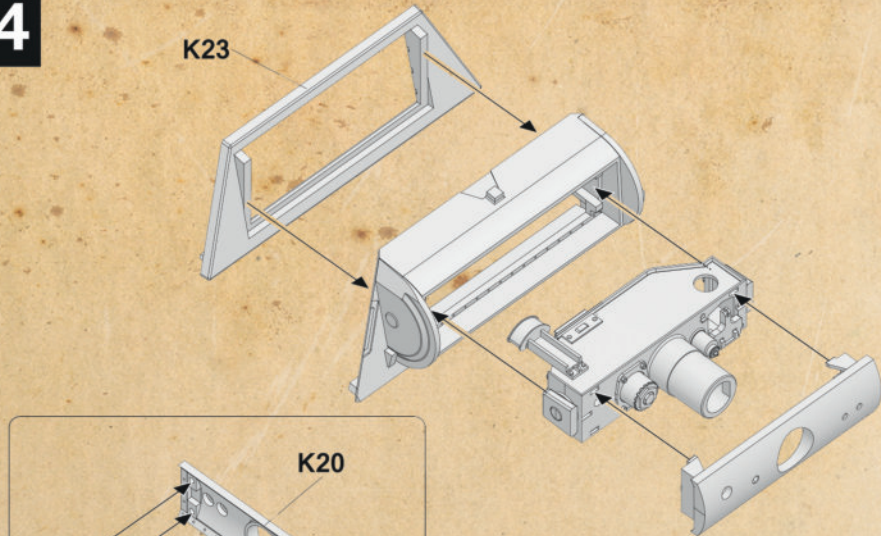
33



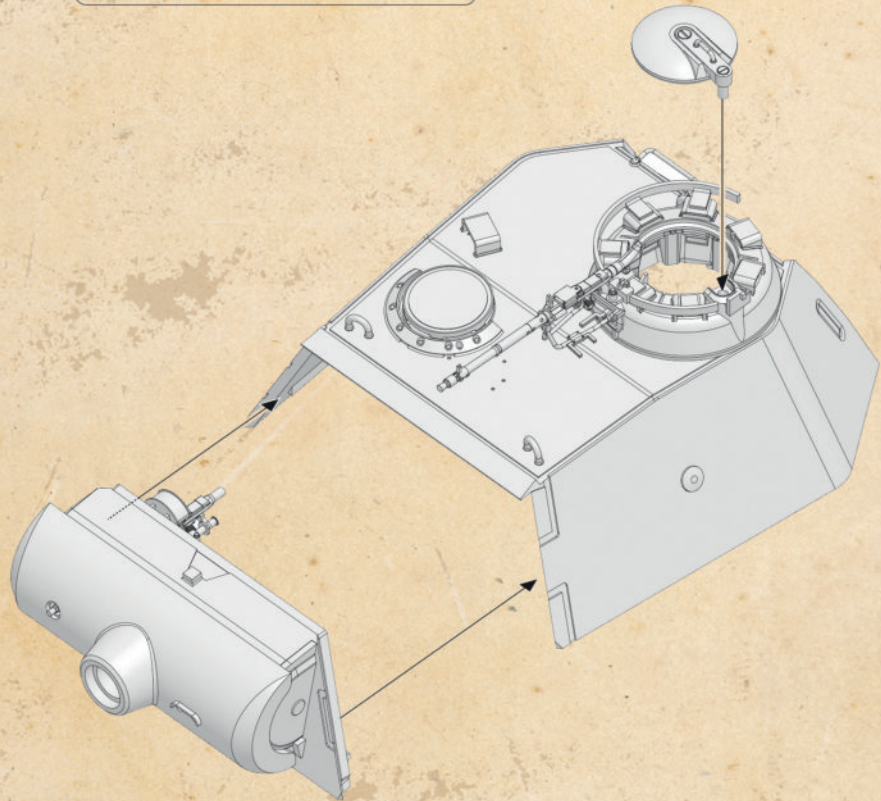
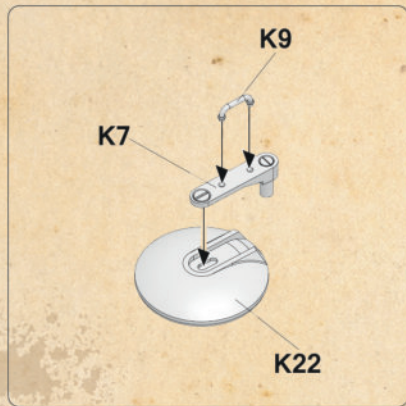
31

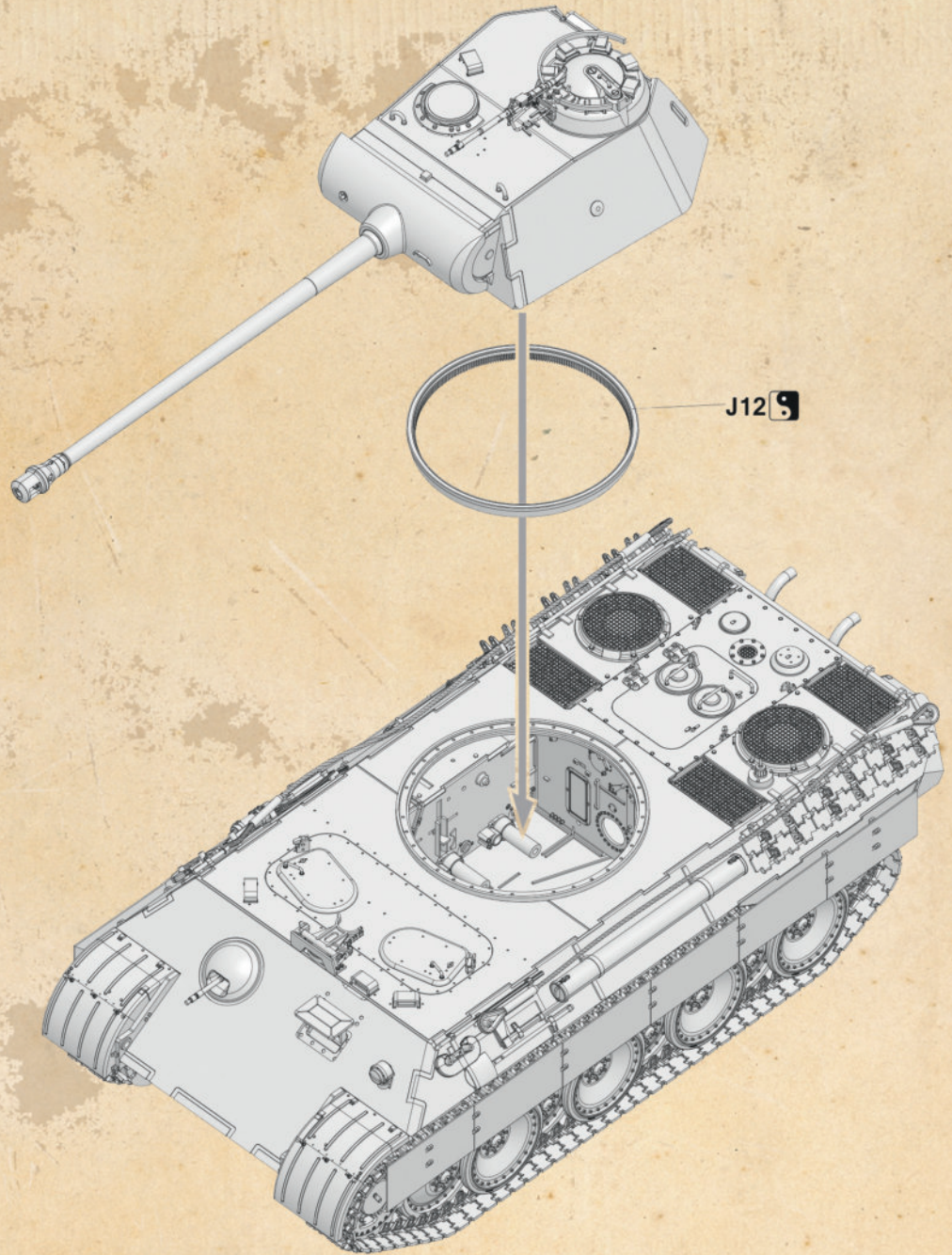
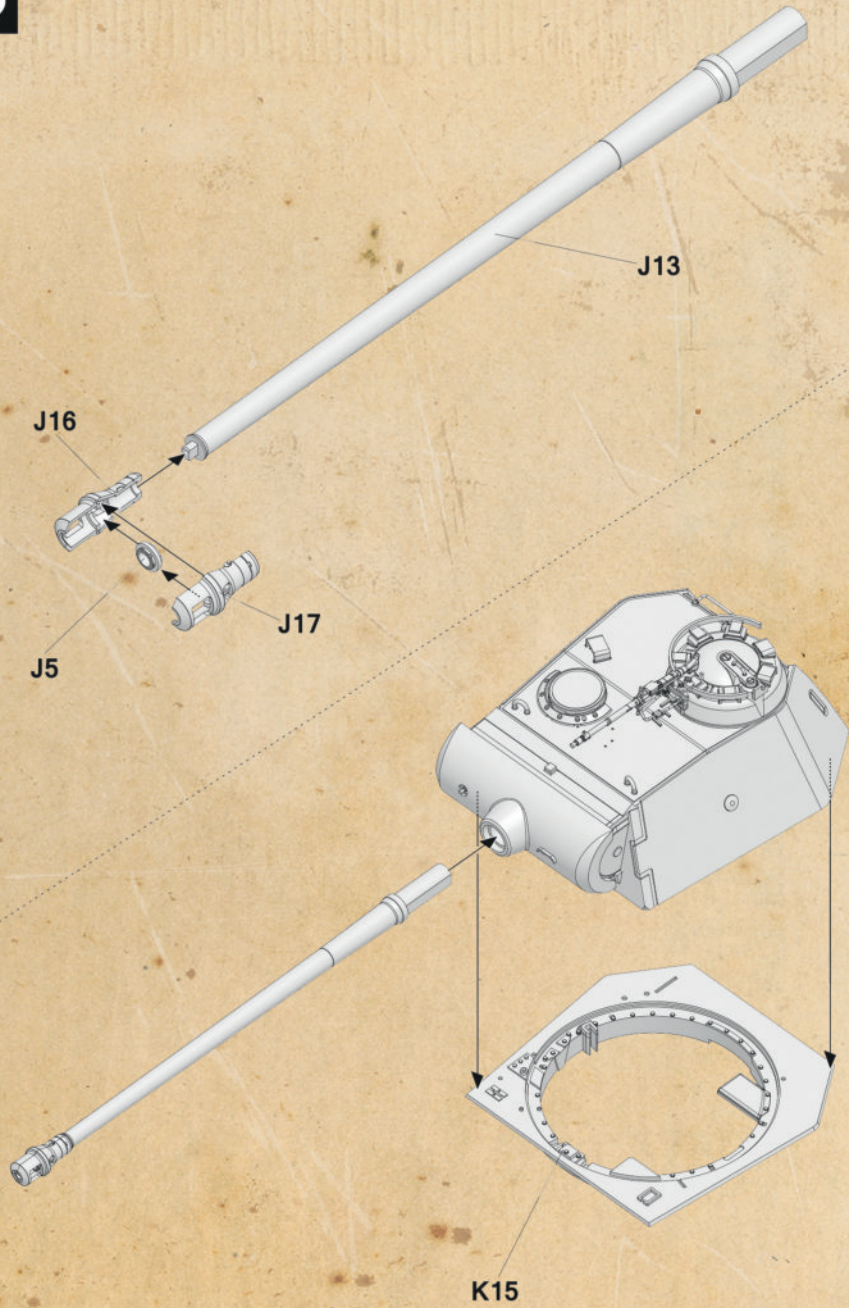


34



35





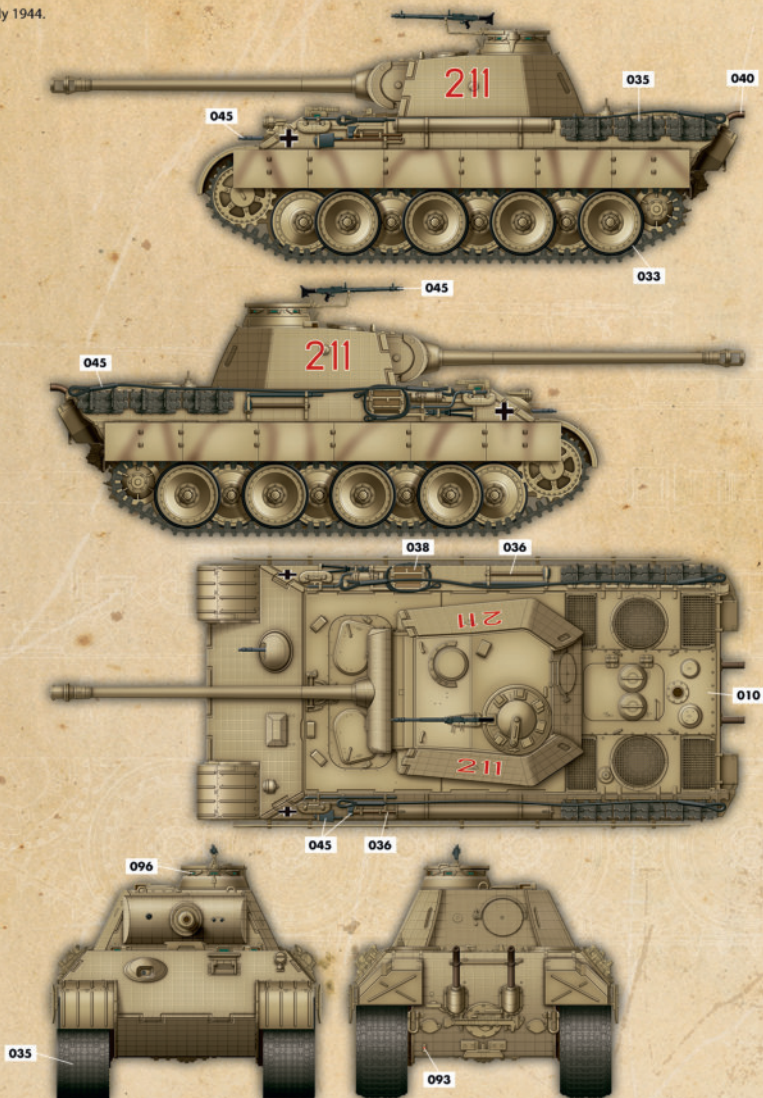
Painting and Marking Guide

DAS WERK Ref: DW35010

Panther Ausf. A, mid-early prod.

26. Pz.Div. Italy 1944.

A.MIG 033 Rubber & Tires	A.MIG 035 Dark Tracks	A.MIG 036 Old Wood	A.MIG 038 Old Wood
A.MIG 040 Medium Rust	A.MIG 045 Gun Metal	A.MIG 093 Crystal Red	A.MIG 096 Crystal Periscope Green
A.MIG 010 Dunkelgelb Mid war			



WEATHERING STEPS WITH AMMO PRODUCTS

- | | | | |
|--|--|---|--|
| 1 GENERAL WASH
A.MIG-1000 Brown Wash for German Yellow | 3 STREAKING
A.MIG-1203 Streaking Grime | 5 TRACK WASH
A.MIG-1002 Tracks Wash | 7 MUD
A.MIG-3007 Dark Earth
A.MIG-1752 Loose Ground |
| 2 FILTER
A.MIG-1510 Tone for 3 tone camo | 4 RUST
A.MIG-3510 Rust | 6 DUST
A.MIG-3013 Rubbel | |

Painting and Marking Guide

DAS WERK Ref: DW35010

Panther Ausf. A, mid-early prod.

23.Pz. Reg., 23 Pz. Div, eastern front 1944.

A.MIG 033 Rubber & Tires	A.MIG 035 Dark Tracks	A.MIG 036 Old Wood	A.MIG 038 Old Wood
A.MIG 040 Medium Rust	A.MIG 045 Gun Metal	A.MIG 093 Crystal Red	A.MIG 096 Crystal Periscope Green
A.MIG 002 Olivgrün Cpt. 2	A.MIG 010 Dunkelgelb Mid war	A.MIG 015 Schokobraun	



WEATHERING STEPS WITH AMMO PRODUCTS

- | | | | |
|--|--|---|--|
| 1 GENERAL WASH
A.MIG-1000 Brown Wash for German Yellow | 3 STREAKING
A.MIG-1203 Streaking Grime | 5 TRACK WASH
A.MIG-1002 Tracks Wash | 7 MUD
A.MIG-3007 Dark Earth
A.MIG-1752 Loose Ground |
| 2 FILTER
A.MIG-1510 Tone for 3 tone camo | 4 RUST
A.MIG-3510 Rust | 6 DUST
A.MIG-3013 Rubbel | |

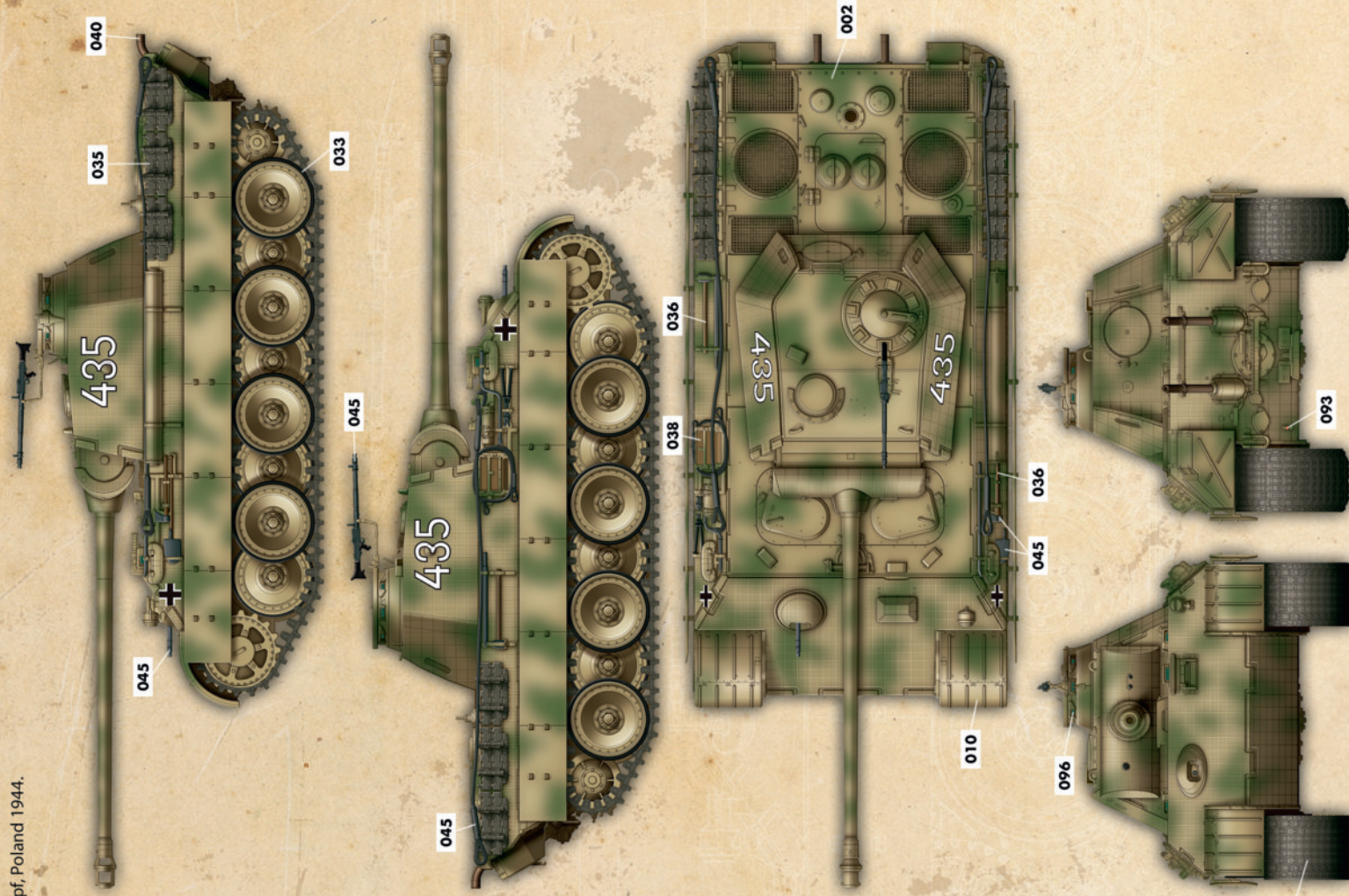
Painting and Marking Guide

DAS WERK Ref: DW35010

Panther Ausf. A, mid-early prod.

3.SS Pz. Div. Totenkopf, Poland 1944.

A.MIG 033 Rubber & Tires	A.MIG 035 Dark Tracks	A.MIG 038 Old Wood
A.MIG 040 Medium Rust	A.MIG 045 Gun Metal	A.MIG 096 Crystal Periscope Green
A.MIG 002 Olivgrün Opt.2	A.MIG 010 Dunkelgelb Mid-war	



WEATHERING STEPS WITH AMMO PRODUCTS

1 GENERAL WASH

A.MIG-1000 Brown Wash for German Yellow

2 FILTER

A.MIG-1510 Tone for 3 tone camo

3 STREAKING

A.MIG-1203 Streaking Grime

4 RUST

A.MIG-3510 Rust

5 TRACK WASH

A.MIG-1002 Tracks Wash

6 DUST

A.MIG-3013 Rubbel

7 MUD

A.MIG-3007 Dark Earth
A.MIG-1752 Loose Ground