

1/35 MILITARY MINIATURE VEHICLE UPGRADE SERIES PE 35670

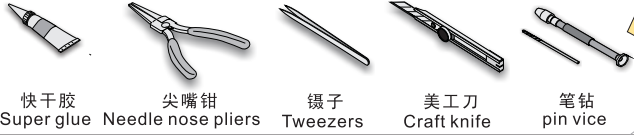
Technical assistance provided by Mr.Zhong Ming Zhou

# US M24 Chaffee (Early Prod) Light Tank Fenders and Skirts


美军M24 霞飞 轻型坦克翼子板及侧裙


[For AFV CLUB]

■ 推荐使用工具 RECOMMENDED TOOLS



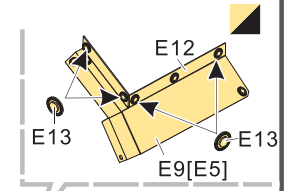
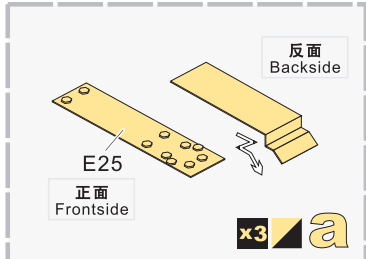
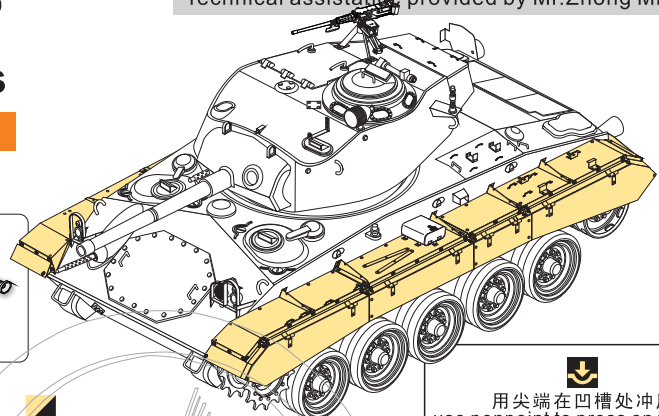
快干胶 Super glue    尖嘴钳 Needle nose pliers    镊子 Tweezers    美工刀 Craft knife    笔钻 pin vice

-   
**安装**  
install
-   
**折叠**  
bend
-   
**A1**  
改造件零件编号  
PE/resin part number
-   
**B12**  
原零件编号  
kit part number
-   
**另一侧相同制作**  
repeat on opposite side
-   
**弧度卷曲**  
radial bending
-   
**x2**  
制作若干组  
multiple assembly
-   
**选择安装**  
alternative
-   
**钻孔**  
drill

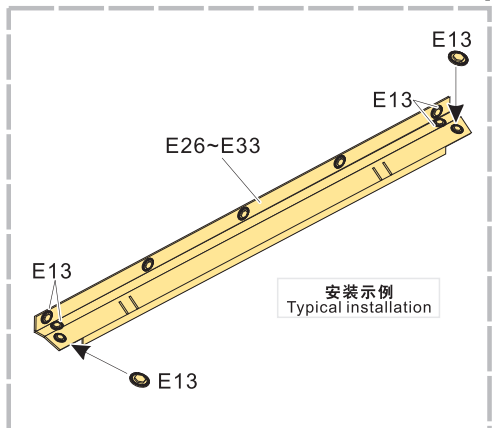
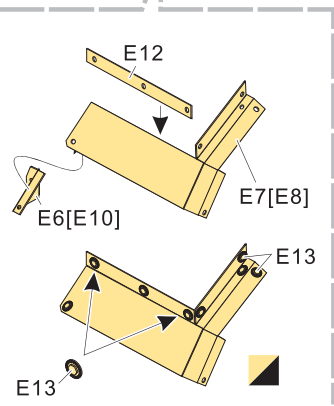
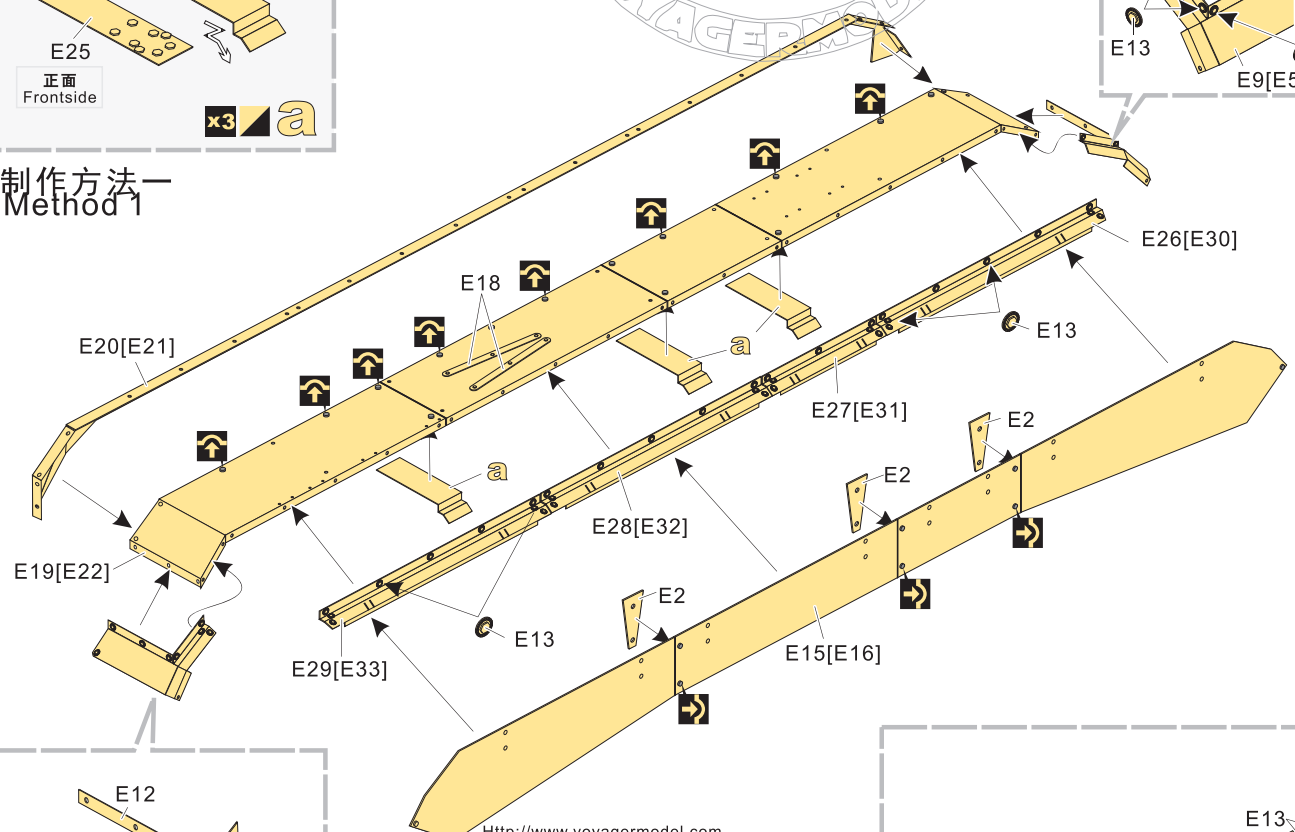
  
用尖端在凹槽处冲压  
use penpoint to press on the dent

轴刻片零件内侧面向上  
Put the part upside down


用笔尖在凹槽处刺  
Use penpoint to press on the dent

## 制作方法一 Method 1




<http://www.voyagermodel.com/productdetails.asp?itemid=PE35670>



**VOYAGER MODEL**

更多PE35670样品照片参考请扫一扫  
MORE PICTUER OF PE 35670  
REFERENCE SCAN HERE



1/35 MILITARY MINIATURE VEHICLE UPGRADE SERIES PE 35670

Ø0.5  
E1  
E4  
前 Front x8  
后 Rear x8  
b

E23/E24  
E13  
E23  
x5 C

E13  
E24  
E13  
x5 d

反面 Backside  
E3  
正面 Frontside  
x3 e

制作方法二  
Method 2

VOYAGERMODEL® 无微不至 精益求精

| Recommended item |   |
|------------------|---|
| PE 35620         | Modern Norwegian NM-116 Tank Destroyer Basic (smoke discharger include) |
| PE 35621         | Modern Norwegian NM-116 Tank Destroyer Fenders                          |
| PE 35665         | US Army M24 Light tank basic (Korean War)                               |
| PEA 300          | WWII US AFV antenna base set (5PCES)                                    |
| VBS 0207         | WWII US Vehicle Mounted M2 Browning Machine Gun                         |