

FFG PROJECT 22350



The Admiral Sergei Gorshkov-class frigate, also known as Project 22350, is a new generation of guided-missile frigates being built for the Russian Navy. The class is named after Admiral Sergei Georgiyevich Gorshkov, who was a prominent Soviet naval commander that played a significant role in shaping the Soviet Navy during the Cold War. The Admiral Sergei Gorshkov-class frigate is designed to be a versatile multirole platform capable of carrying out various missions, including anti-surface warfare, anti-air warfare, and ASW operations. Project 22350 is equipped with a wide range of advanced weapon systems, including the Kalibr cruise missile system, Oniks anti-ship missiles, and Poliment-Redut surface-to-air missile system. These capabilities enable the frigate to engage targets both at sea and on land with precision.

The class incorporates stealth technology to reduce its radar cross-section, making it less detectable by enemy radar systems. This feature enhances the ship's survivability and ability to conduct stealthy operations. The frigate is also equipped with advanced Anti-Submarine Warfare systems, including torpedoes and sonar, to detect and counter underwater threats posed by submarines. The frigate is outfitted with the latest modern sensors, radars, and electronic warfare systems to enhance its situational awareness and self-defense capabilities. The class has improved living conditions for the crew and is designed for extended operations at sea, allowing for greater endurance and range. The frigate features a vertical launch system (VLS) that enables it to carry and launch a variety of missiles from vertical cells, enhancing its firepower and flexibility.

READ BEFORE ASSEMBLY

CAUTION

- Read carefully and fully understand the instructions before commencing assembly. A supervising adult should also read the instructions if a child assembles the model.
- When assembling this kit, tools including knives used. Extra care should be taken to avoid personal injury.
- Keep out of reach of small children. Children must not be allowed to suck any part, or pull vinyl bag over their heads.



Be Careful



Do Not



Do Not Cement



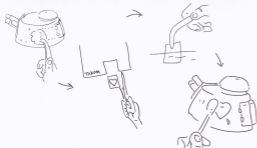
Optional



Instant Glue for Metal

APPLYING DECALS

1. Clean the model surface with a wet cloth.
2. Cut out each decal design from sheet, and dip it in tepid water for 15-20 sec.
3. Hold the backing sheet edge and slide decal onto the model.
4. Move decal into position by wetting decal with finger.
5. Press decal gently down with a soft cloth until excess water and air bubbles are gone.



REMOVING PE



Be careful not to hurt when removing PE parts.

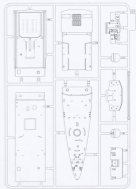
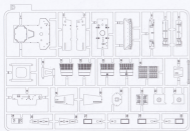


Secure using instant glue (not included).



Finish using file.

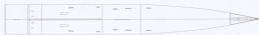
PARTS



A



B



C



TP

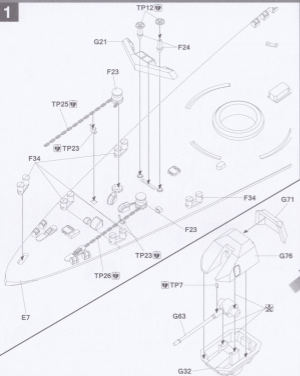


Decal

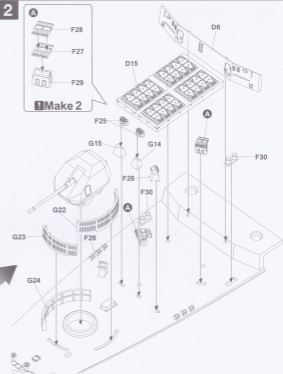


X2

1

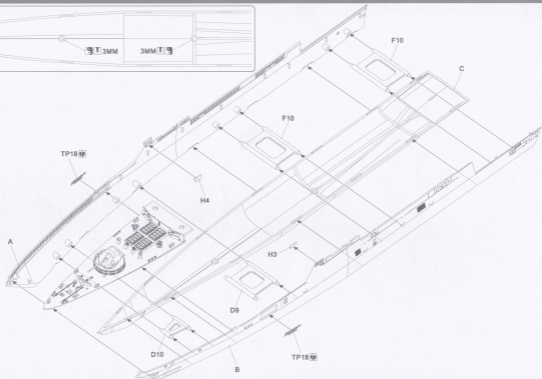


2



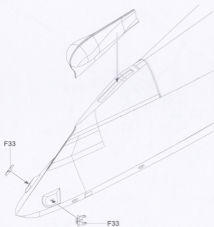
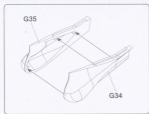
3

3

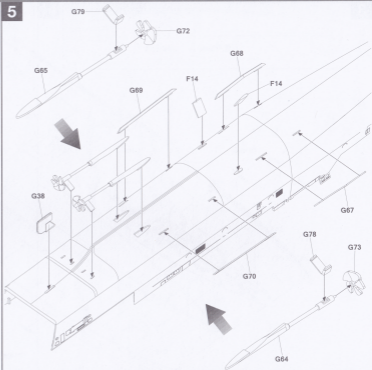


4

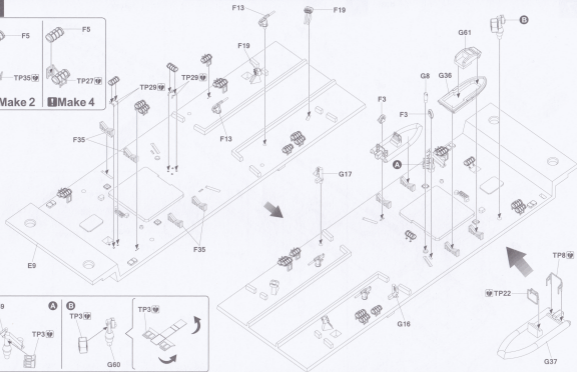
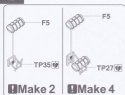
4

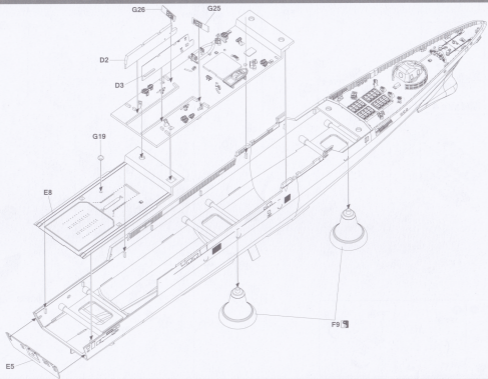


5

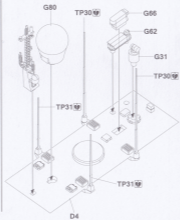
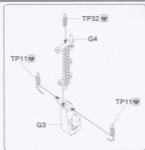
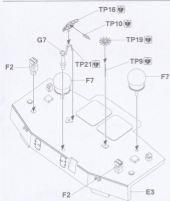
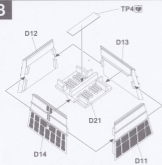


6

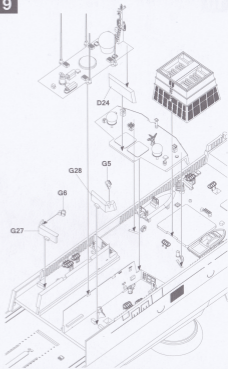




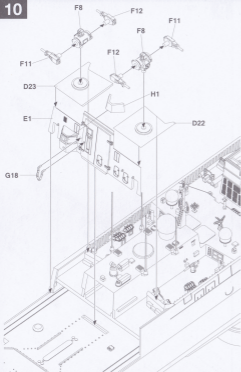
8



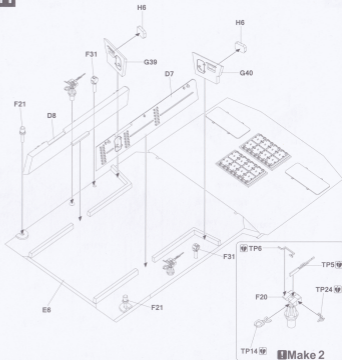
9



10



11

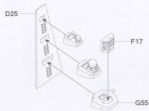




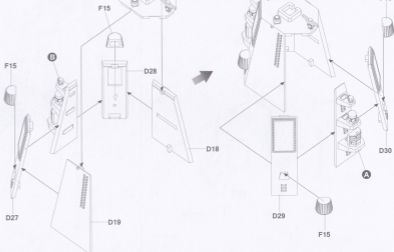
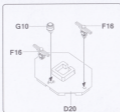
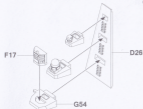
Make 2

Make 2

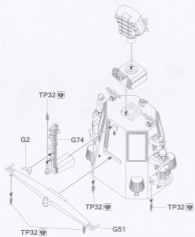
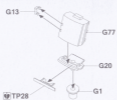
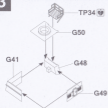
A



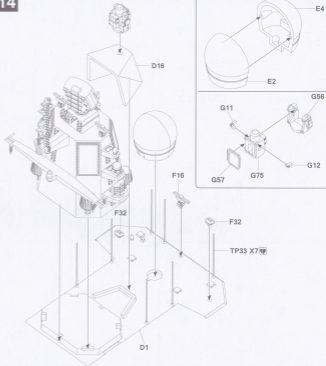
B



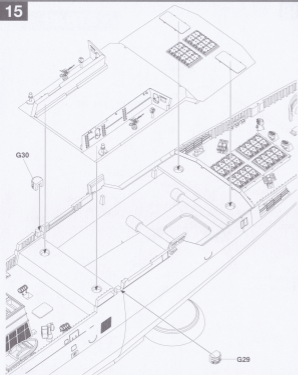
13



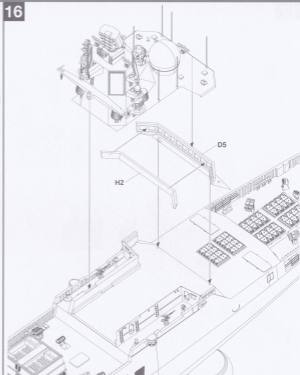
14



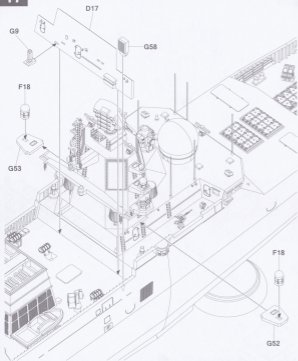
15



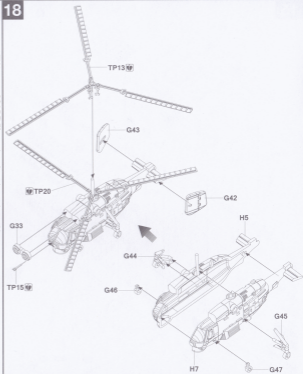
16

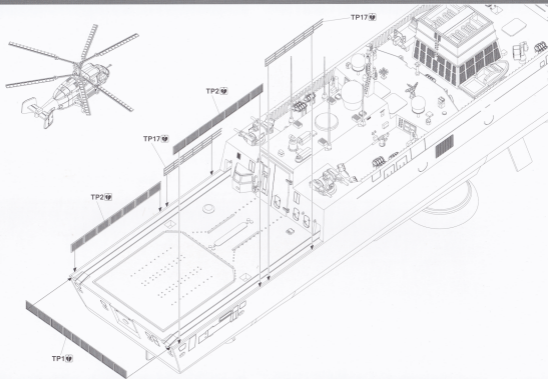


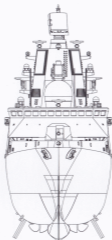
17



18







FFG PROJECT 22350

Painting and Marking Guide

TAKOM Ref: 6009

