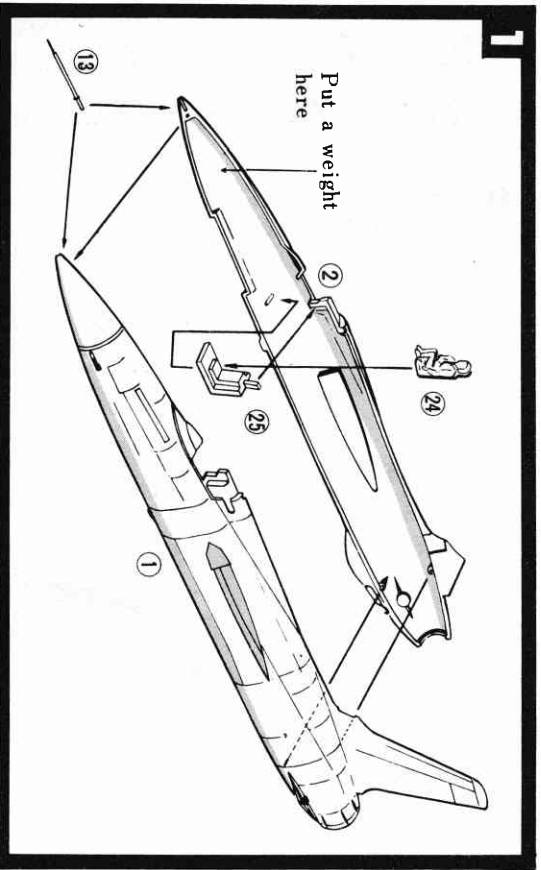
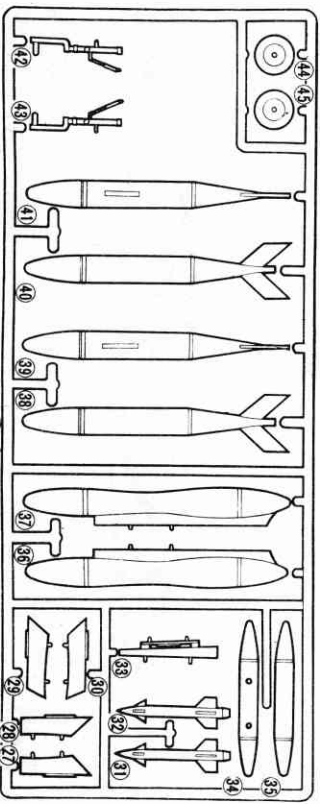
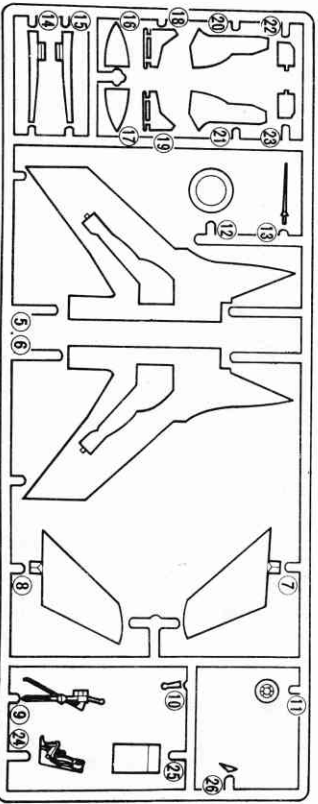
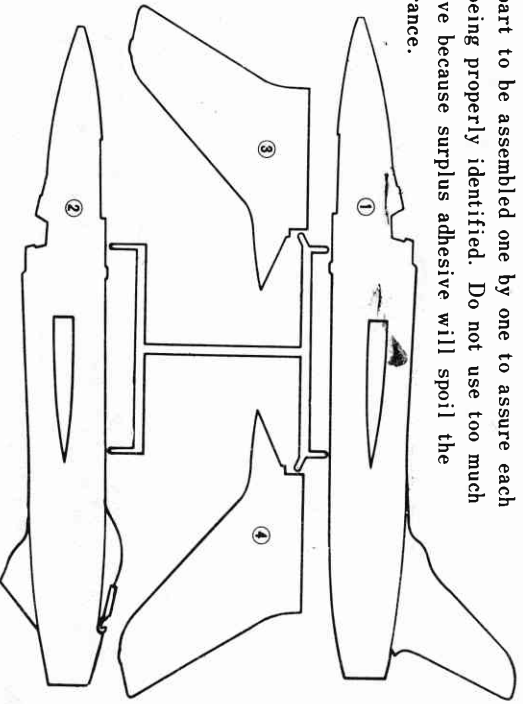


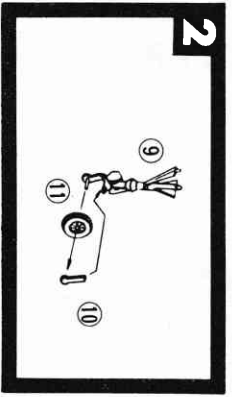
## PART DRAWINGS AND PART NUMBERS (Before Assembling Your Kit)

Read these instructions carefully before assembling your model and check the exact fit of the parts before cementing. Clean off excess plastic, if any, with a sharp knife or a file. Since many tiny parts are included, check them with the assembly drawing before assembling. Do not tear off parts from the stem, but cut them off carefully with nippers or tinsnips. Do not cut off all of the parts at the beginning, but cut each part to be assembled one by one to assure each part being properly identified. Do not use too much adhesive because surplus adhesive will spoil the appearance.



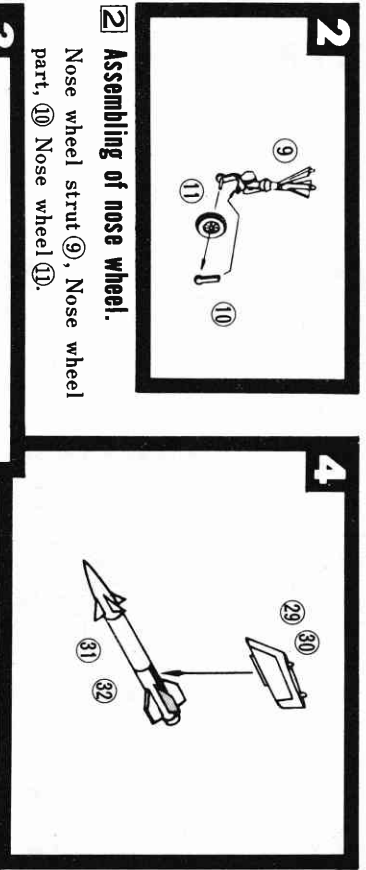
### 1 Assembling of fuselage, pitot tube, pilot, and cockpit.

Cement Pitot tube (13), pilot (24), and cockpit (25) to fuselage when the right and left halves of fuselage are cemented together. Put a weight (clay or pebbles) in the nose when the right and left halves of fuselage are cemented together because the nose will go upward when the completed model is placed on a level surface.



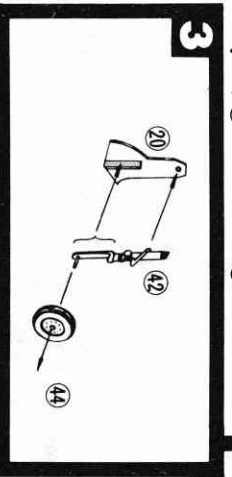
### 2 Assembling of nose wheel.

Nose wheel strut (9), Nose wheel part, (10) Nose wheel (11).



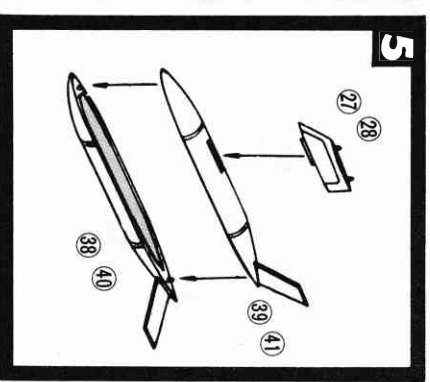
### 4 Assembling of missile.

Pylon (29), Missile (31), (32).



### 3 Assembling of main wheel.

Main wheel cover (right) (20), Main wheel strut (right) (42), Main wheel (44), Assemble the left main wheel assembly (21), (43), (45) in

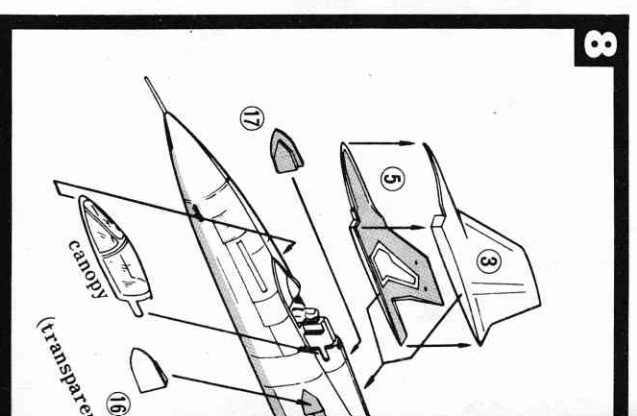


### 5 Assembling of under-wing tank.

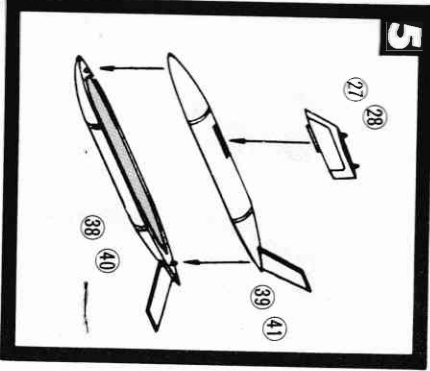
Under-wing pylon (27), (28). Under-wing tank (38), (39), (40), (41).

### 7 Assembling of atomic bomb (for practice).

Atomic bomb pylon (33). Atomic bomb parts (34), (35).

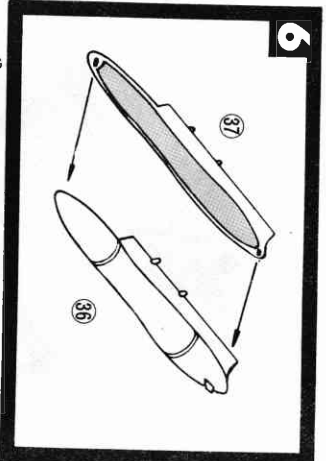


### 8



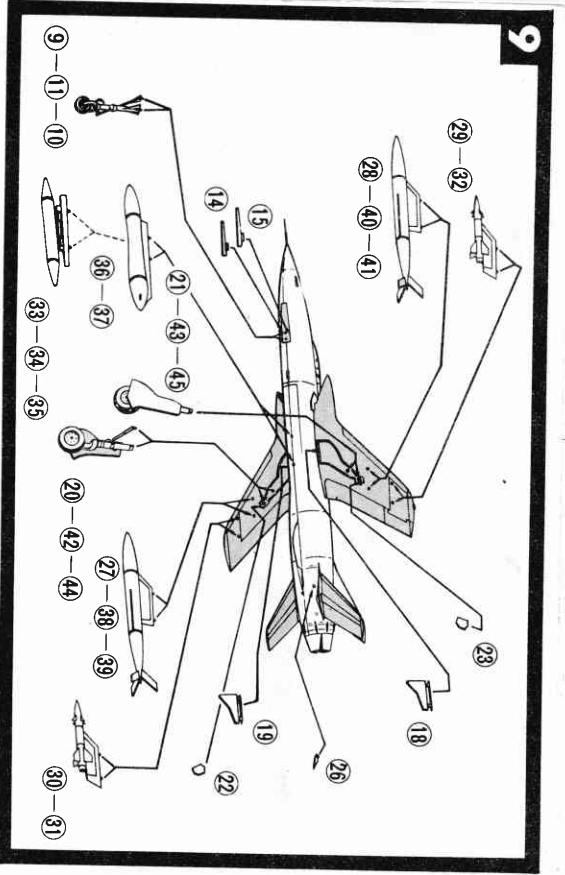
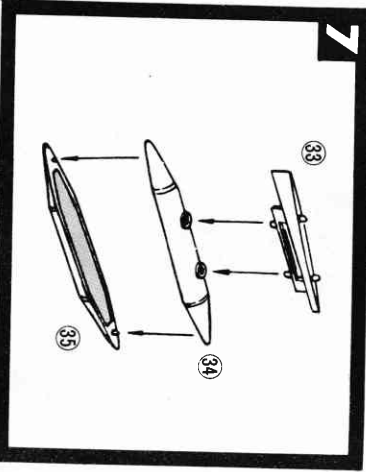
**5** Assembling of under-wing tank.

Under-wing pylon (27), 28.  
Under-wing tank (38) (39) (40) (41).



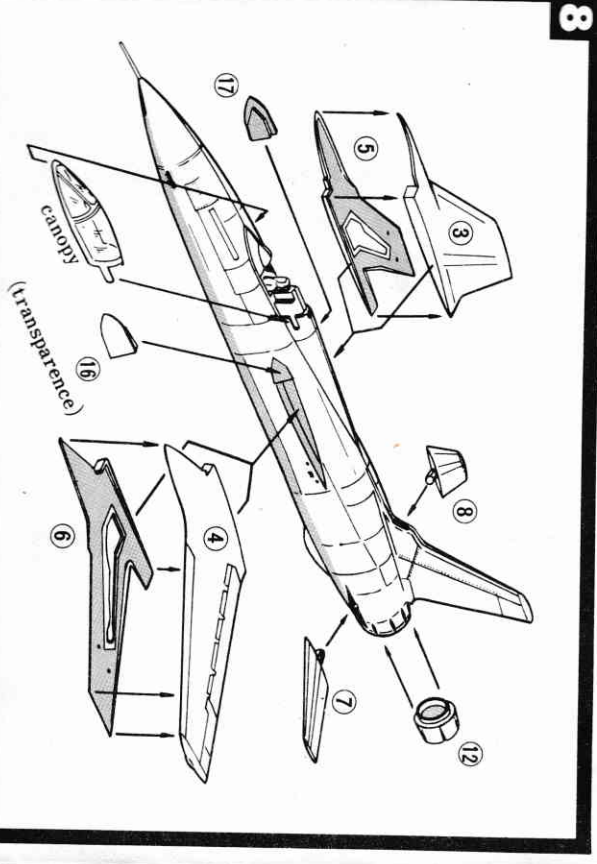
**6** Assembling of under-fuselage tank.

**7** Assembling of atomic bomb (for practice).  
Atomic bomb pylon (33).  
Atomic bomb parts (34) (35).



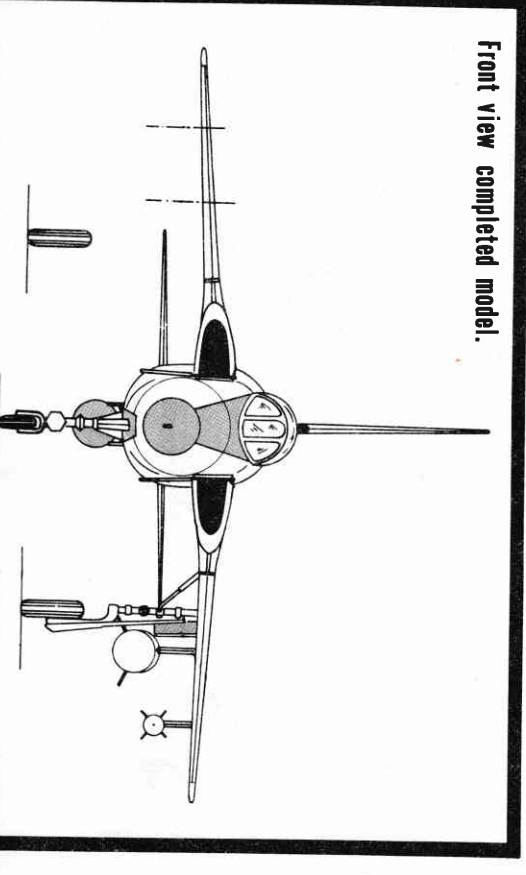
**9** Fixing of assembled parts.

Bullpup ASM (29) (32), Under-wing tank (28) (40) (41), Nose wheel cover (14) (15),  
Nose wheel (9) (10) (11), Main wheel (left) (21) (43) (45). Under-fuselage tank (36)  
(37), Atomic bomb (for practice) (33) (34) (35).  
Main wheel cover A (23), Main C (18), Plate antenna (26), Main wheel cover  
C (19), Main wheel cover A (22), Main wheel (right) (20) (42) (44), Under-wing  
tank (27) (38) (39), Bullpup ASM (30) (31).  
Fix either under-fuselage tank or atomic bomb (for practice).



**8**

**Front view completed model.**

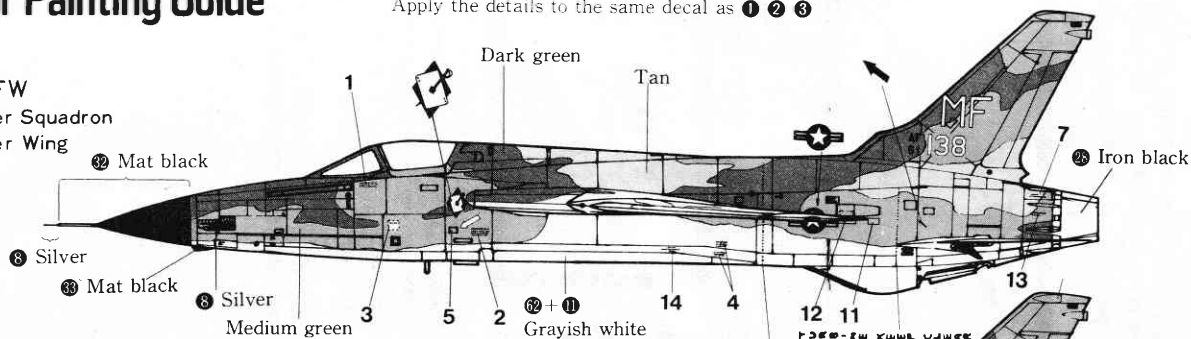


# REPUBLIC F-105D CHEF Marking & Color Painting Guide

Apply the details to the same decal as 1 2 3

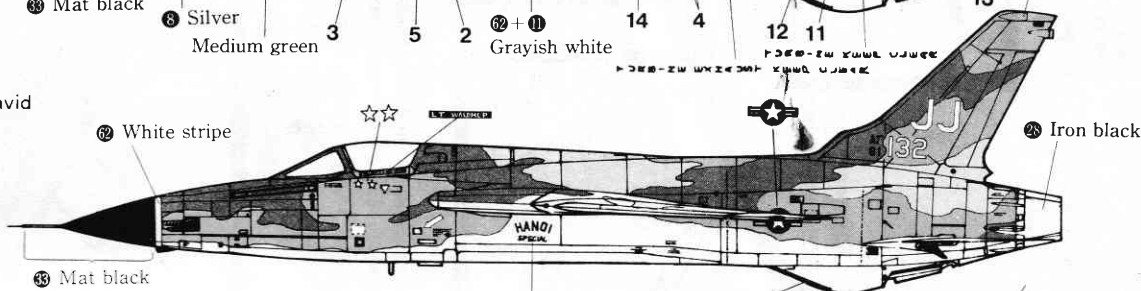
## 1 563 TFS/23 TFW

TFS Tactical Fighter Squadron  
TFW Tactical Fighter Wing



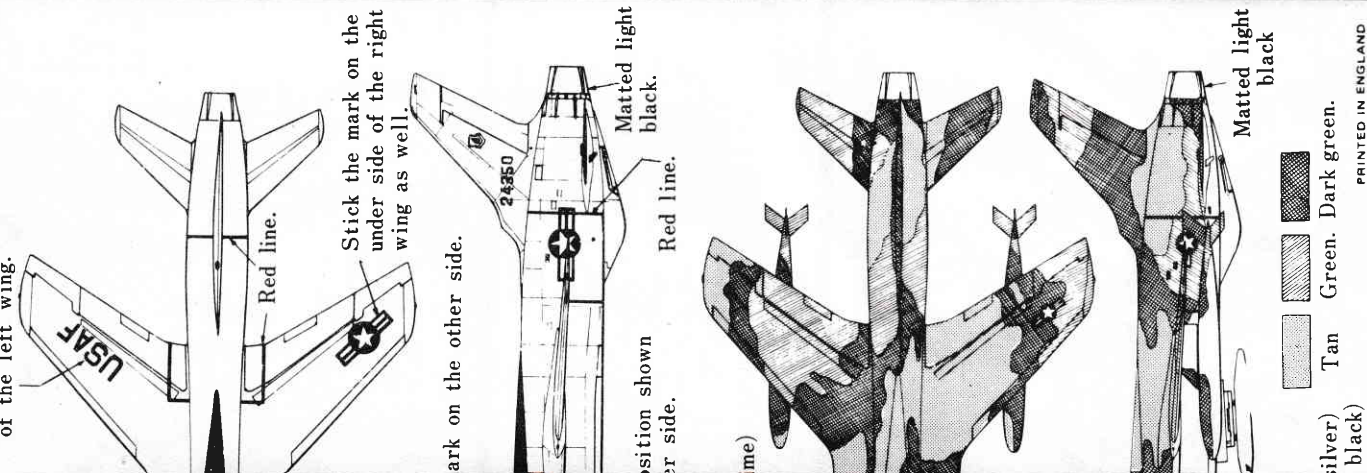
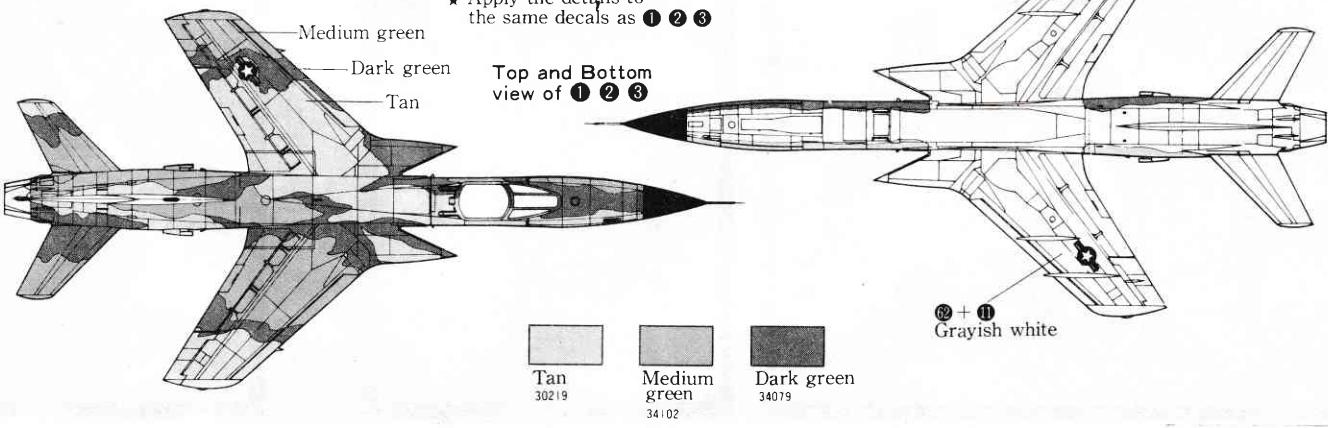
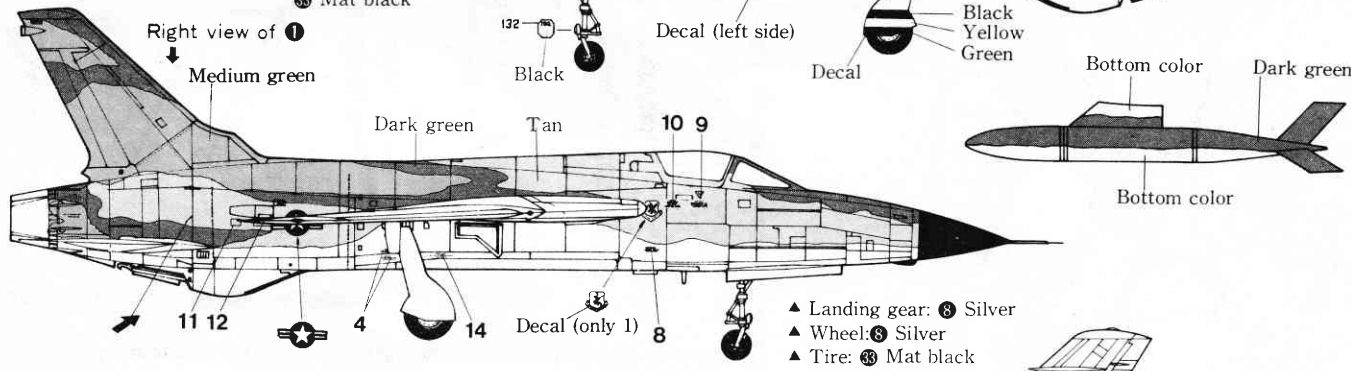
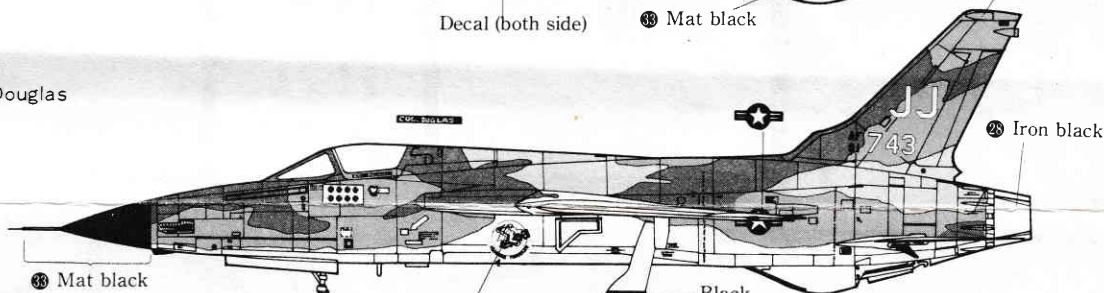
## 2 34 TFS/388 TFW

Flown by Lieutenant David B. Waldrop



## 3 34 TFS/388 TFW

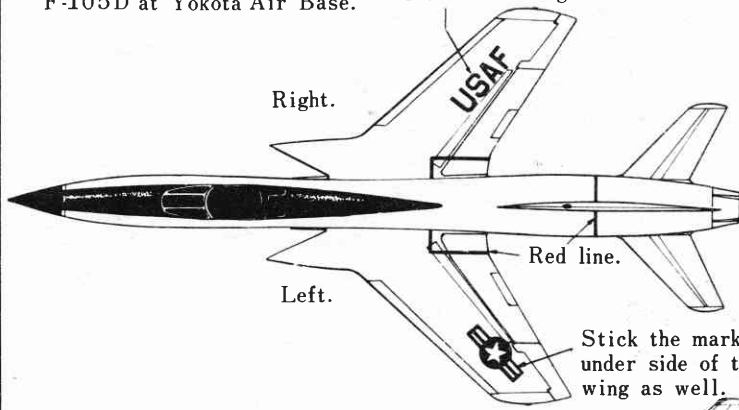
Flown by Colonel Paul P. Douglas



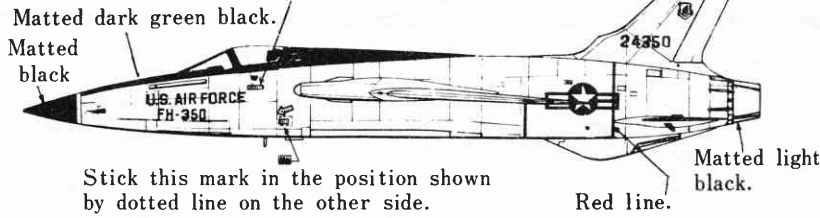
PRINTED IN ENGLAND

**How to paint.**  
F-105D at Yokota Air Base.

Stick the mark on the under side of the left wing.

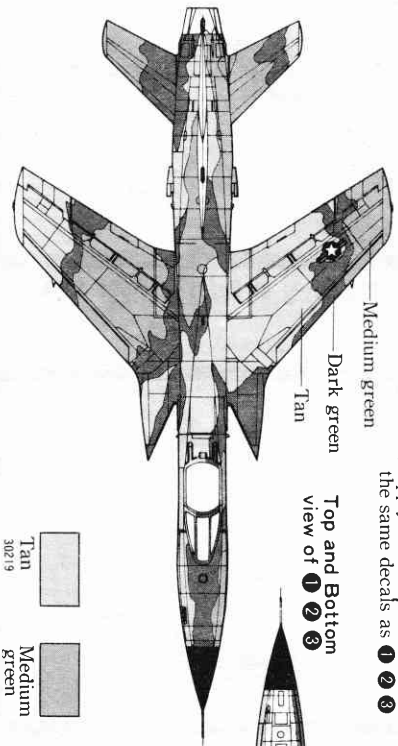
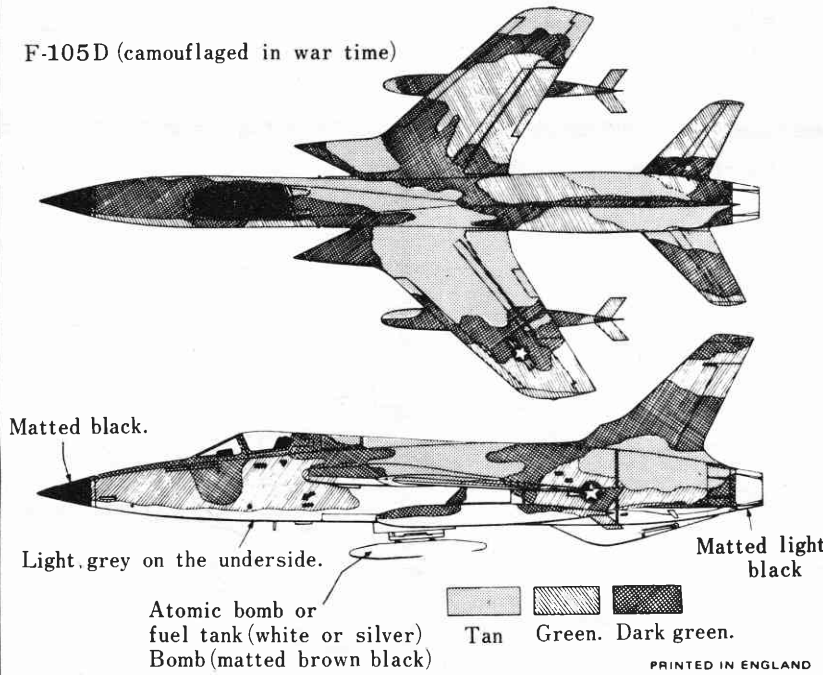


Stick the same mark on the other side.



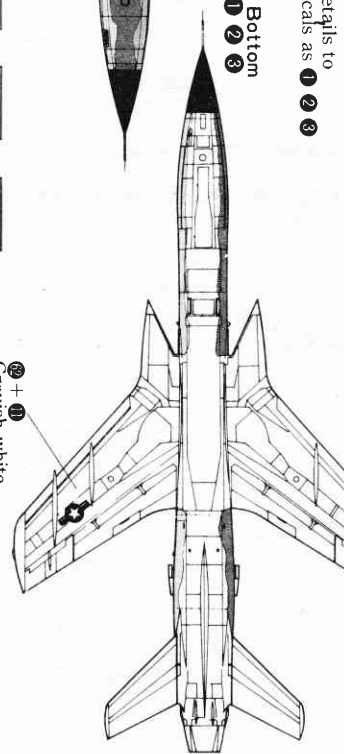
Stick this mark in the position shown by dotted line on the other side.

**F-105D (camouflaged in war time)**

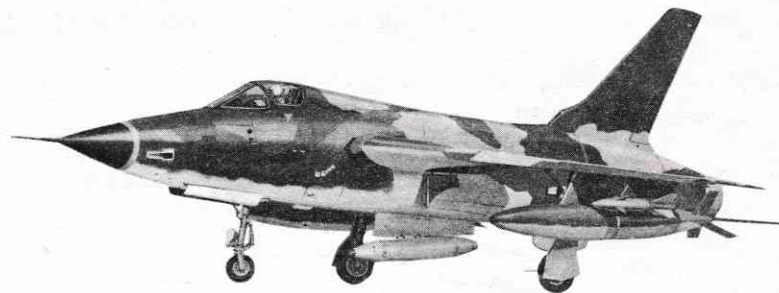


- Tan 30219
- Medium green 34102
- Dark green 34079

② + ①  
Grayish white

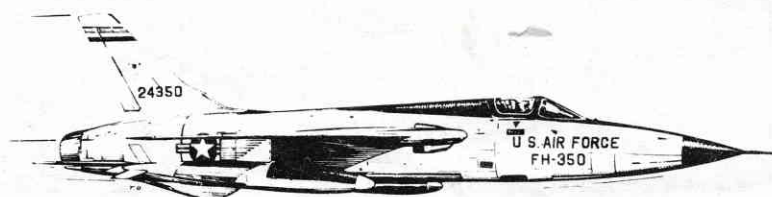


**1/72 SCALE REPUBLIC F-105D THUNDERCHIEF**



## **HASEGAWA'S 1/72 SERIES**

- No. 1 MIKOYAN MIG-21 FISHBED.
- No. 2 LOCKHEED F-104J STARFIGHTER.
- No. 4 KAWANISHI TYPE 2 FLYING BOAT(H8K2).
- No. 5 NORTH AMERICAN F-86F SABRE.
- No. 6 NORTHROP F-5A FREEDOM FIGHTER.
- No. 7 NORTHROP T-38A TALON.
- No. 8 LTV. A-7A CORSAIR II.
- No. 9 BAC LIGHTNING F.MK.6.
- No. 10 McDONNELL PHANTOM II F-4K.
- No. 11 McDONNELL PHANTOM II F-4J.



  
Kit No. JS-014

MANUFACTURED IN JAPAN  
& PACKED IN ENGLAND  
BY A. A. HALES LTD.  
HINCKLEY, LEICS

  
**HALES**