

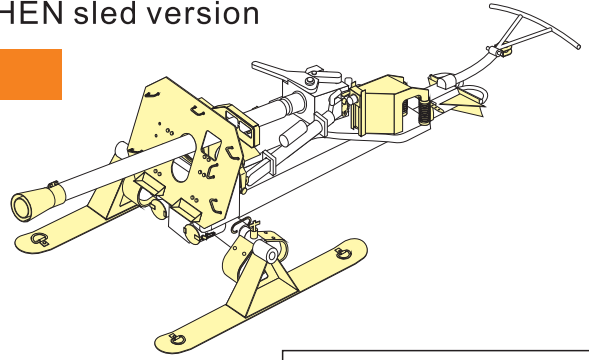
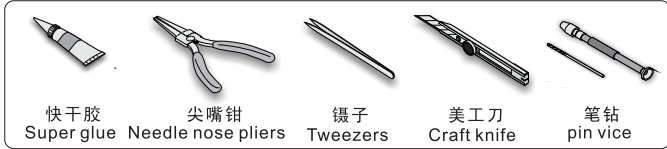
1/35 MILITARY MINIATURE VEHICLE UPGRADE SERIES PE35868

WWII German 88mm Raketenwerfer43 PUPPCHEN sled version

二战德军43型88毫米洋娃娃反坦克炮雪橇型

[For DRAGON 6097]

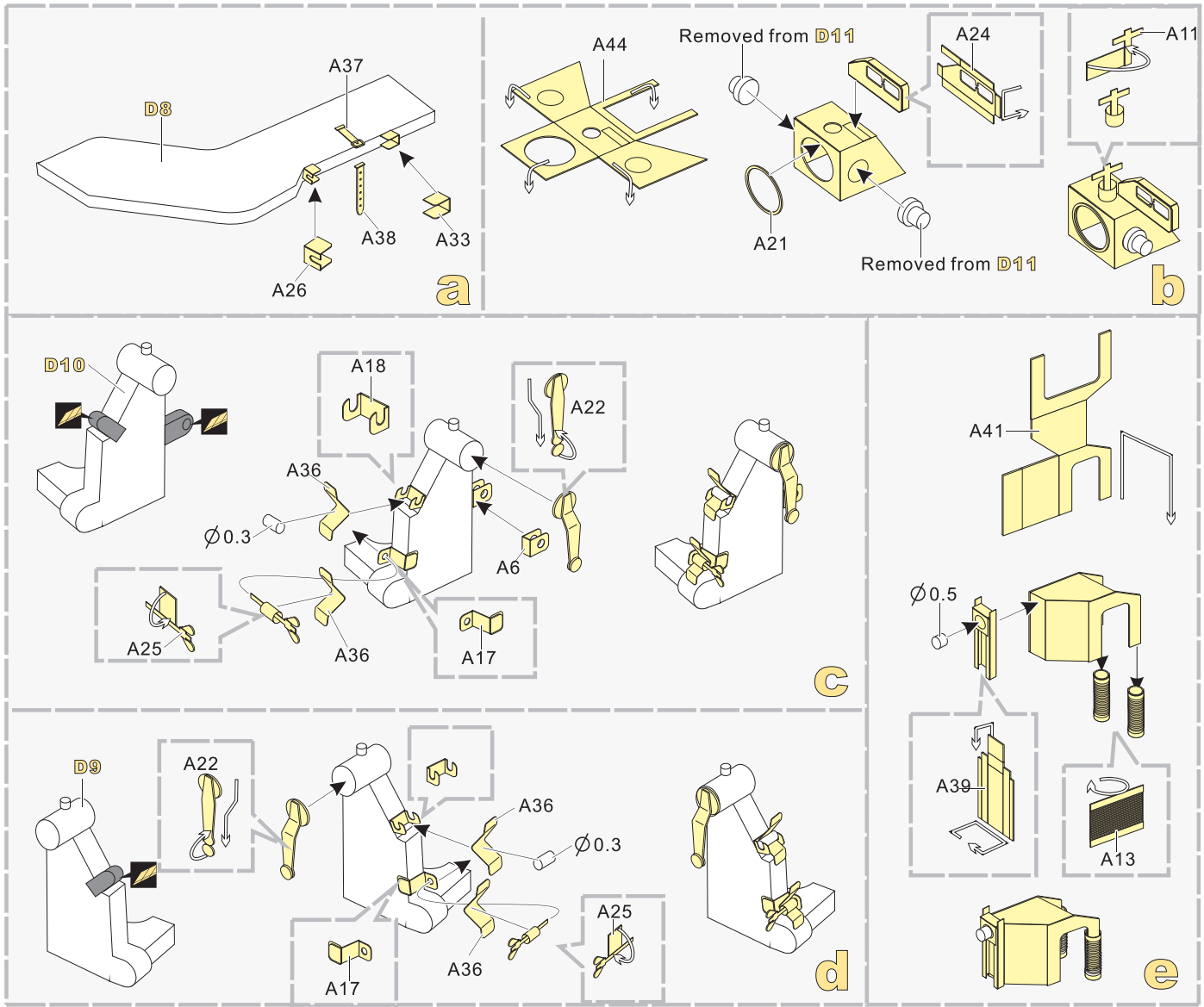
■ 推荐使用工具 RECOMMENDED TOOLS



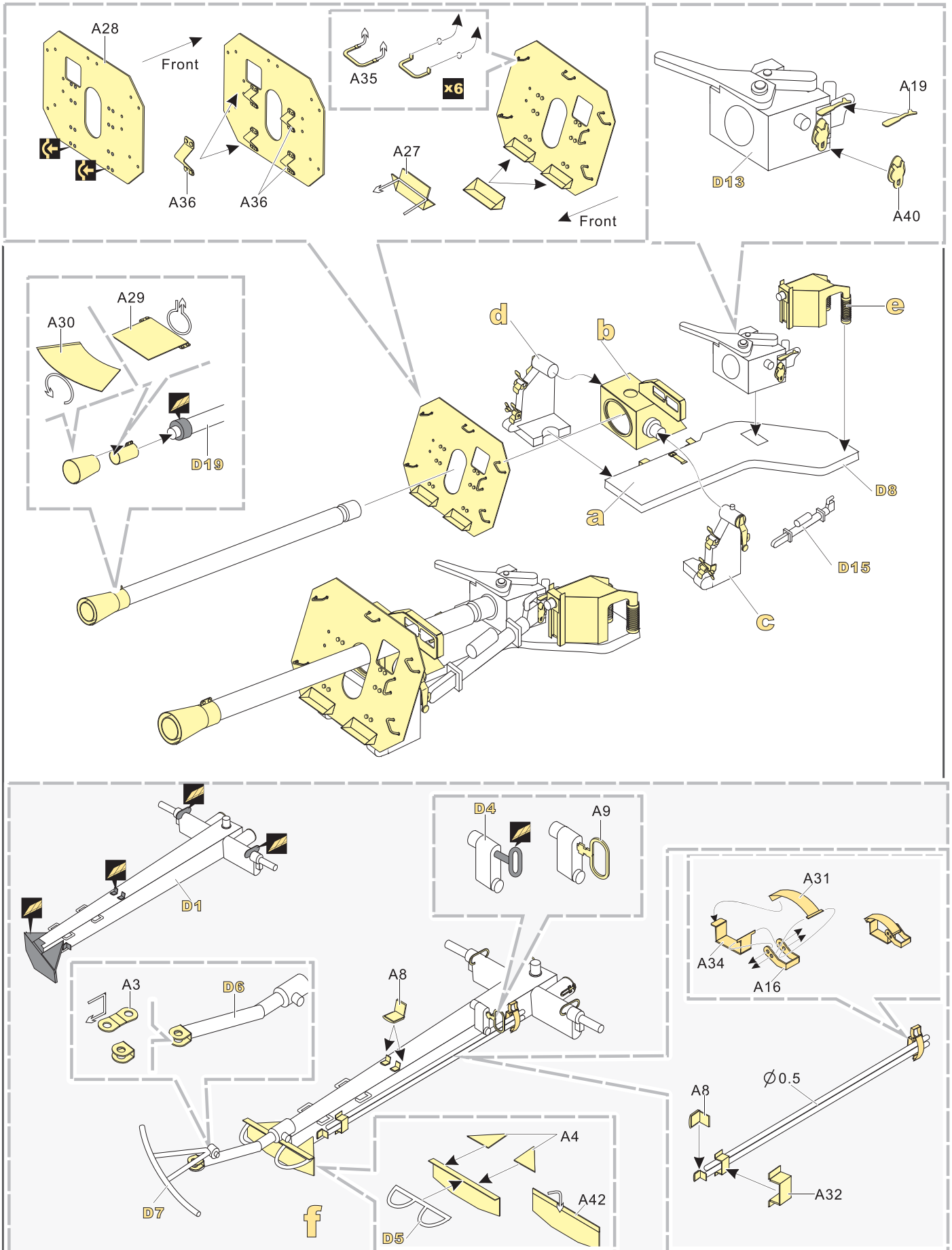
- 安装
install
- 折叠
bend
- A1**
改造件零件编号
PE/resin part number
- B12**
原零件编号
kit part number
- C22**
被替换的原零件编号
replaced kit part number
- 另一侧相同制作
repeat on opposite side
- 切除
remove
- 打磨
grind off
- 弧度卷曲
radial bending
- 制作若干组
multiple assembly
- 选择安装
alternative
- 钻孔
drill
- 用胶棒制作
make from plastic rod

用尖端在凹槽处冲压
use penpoint to press on the dent

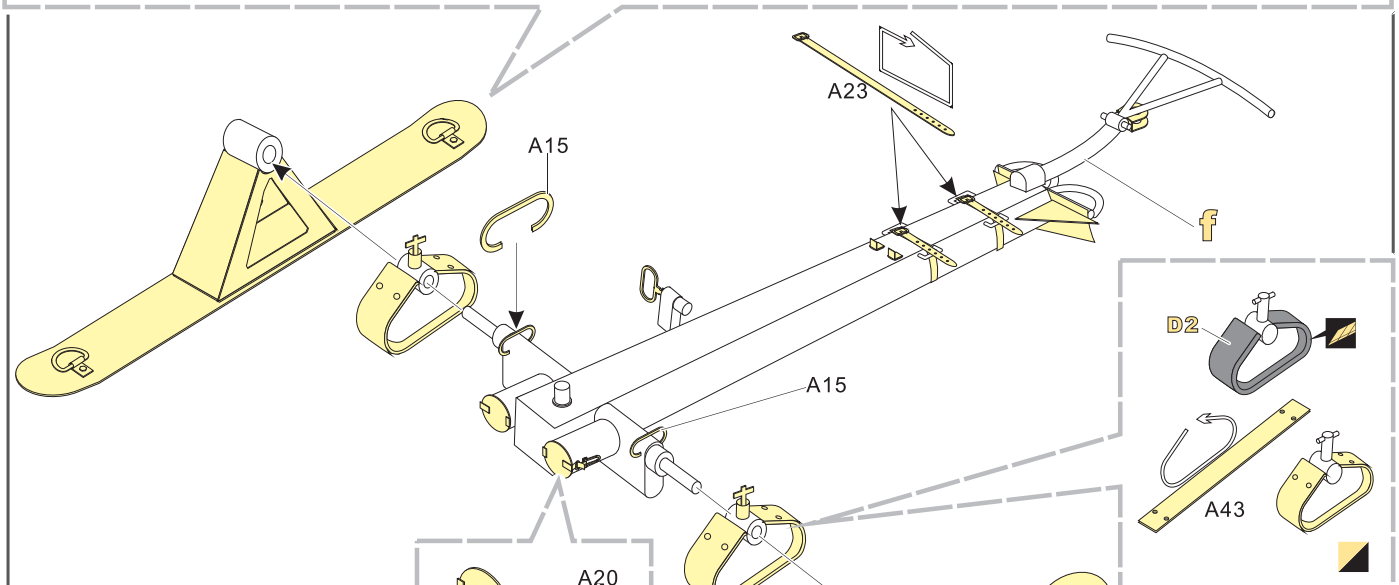
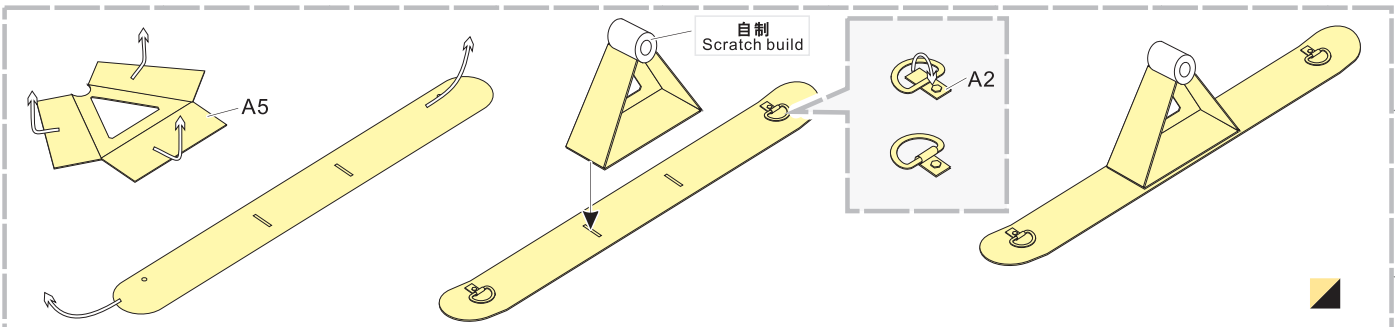
蚀刻片零件内朝面向上
Put the part upside down
用笔尖在凹槽处刺
Use penpoint to press on the dent



1/35 MILITARY MINIATURE VEHICLE UPGRADE SERIES PE35868

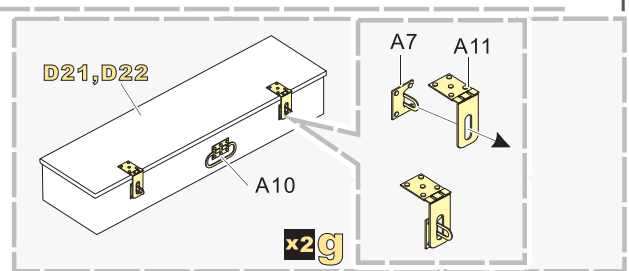
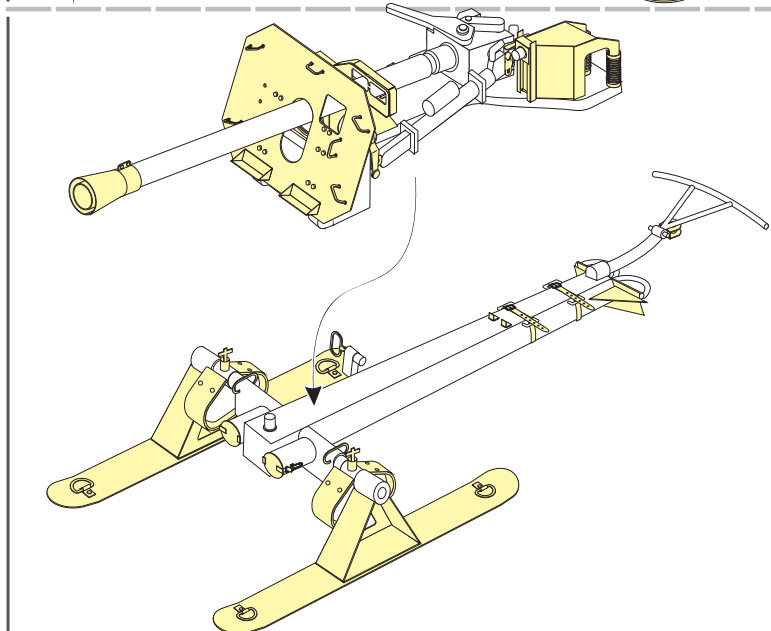


1/35 MILITARY MINIATURE VEHICLE UPGRADE SERIES PE35868



**VOYAGER
MODEL**

更多PE35868样品照片参考请扫一扫
MORE PICTUER OF PE 35289
REFERENCE SCAN HERE



VOYAGERMODEL[®] 无微不至 极尽享受

Recommended item

PE 35348	WWII German PaK 43/3 L/71 mit Behelfslafette
PE 35349	WWII German 88mm Flak 37 mit Behelfslafette
PE 35439	WWII German 88cm Panzerjagerkanone PaK43
PE 35507	WWII German 8.8cm Pak 43 Waffentrager w/fenders
PE 35289	WWII German 88mm Raketenwerfer43 PUPPCHEN sled version
PE 35060	WWII German 88mm Flak36
PE 35129	WWII German 30MM FLAK38/103
PE 35111	WWII German 20MM FLAK38
PE 35049	WWII German 75mm Pak 40
PE 35067	WWII German 88mm Flak18
PE 35858	WWII German 88mm FLAK37
PE 35207	WWII sFH-18 150mm Howitzer
PE 35255	WWII German sFH18 150mm/K18 105mm