

KENWORTH/CHALLENGE

Transit Mixer



READ THIS BEFORE YOU BEGIN
Cement all parts unless otherwise indicated.

Look over this instruction sheet carefully before you begin building. Follow the assembly instructions and "test-fit" the parts without cementing. This will familiarize you with the location of the parts.

For the best results, the various sub-assemblies and components should be painted before any "chrome" parts are attached. For example: When attaching "non-chrome" body accessories, it is best to cement them in place and paint the body as a unit.

AMT kits are molded from the finest High-Impact Styrene plastic. Use

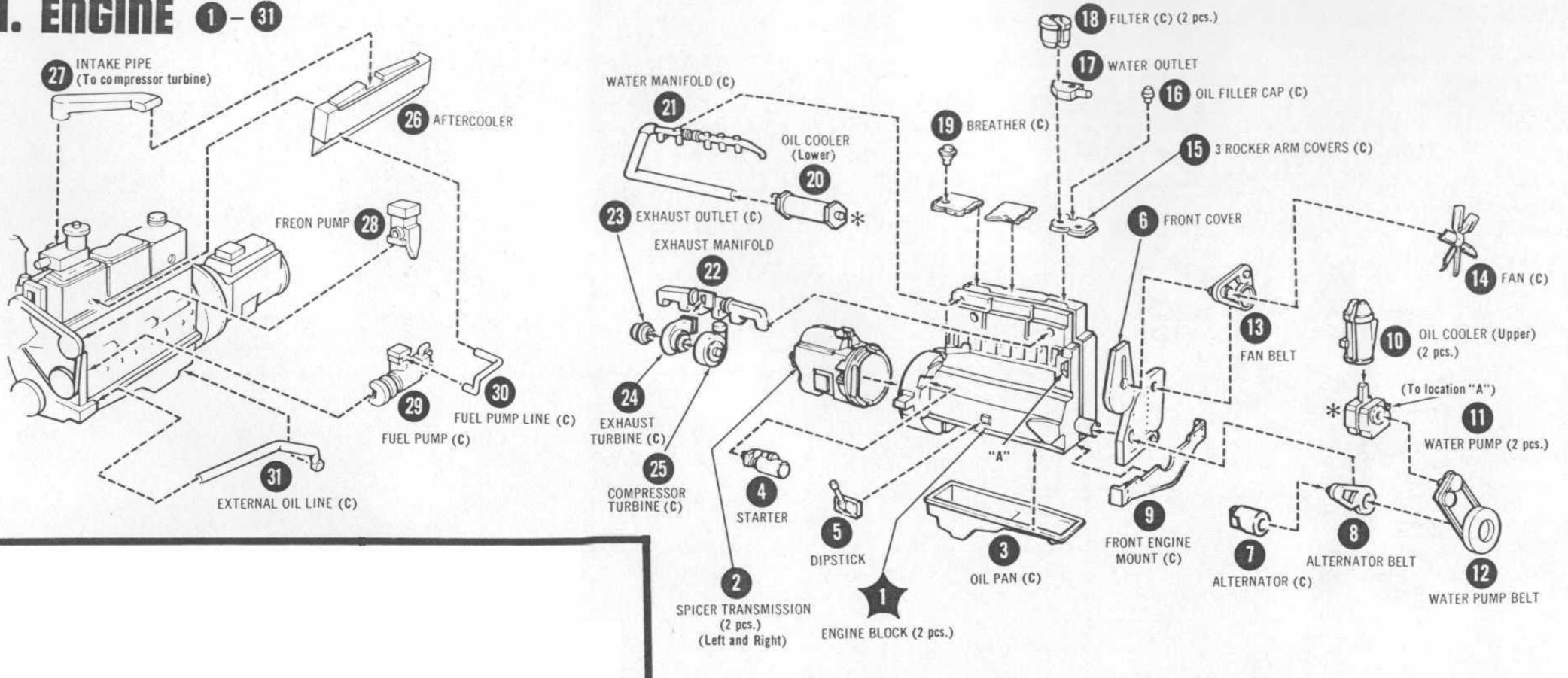
only paint and cement made for Styrene. Trim excess plastic from parts before joining. When attaching "chrome" parts, scrape plating away where parts are to be joined. Use just enough cement to join parts, and be careful not to smear cement on exposed surfaces.

Built according to the instructions on this sheet, you should have no trouble assembling your kit. Just FOLLOW THE NUMBERS, as parts are numbered in order of assembly. (C) INDICATES "CHROME" PARTS.

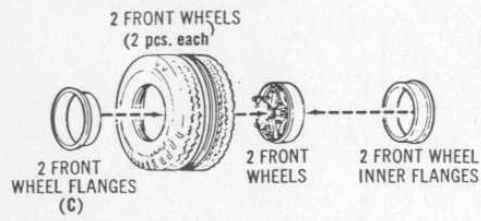
AMT corporation, 1225 E. MAPLE, Troy, Michigan 48084

PRINTED IN USA FORM T559-6

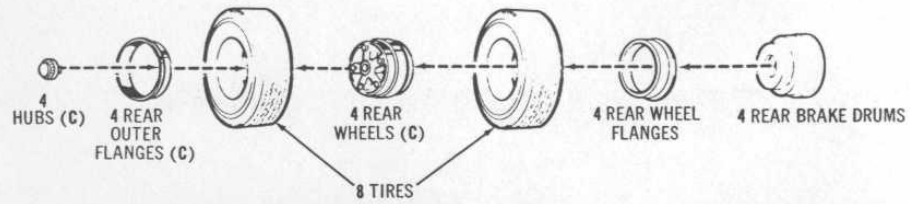
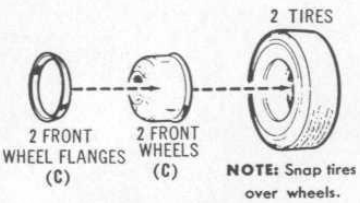
I. ENGINE 1 - 31



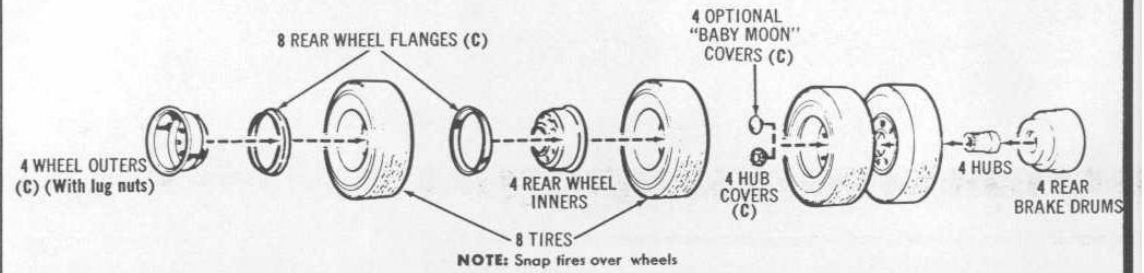
2. WHEELS



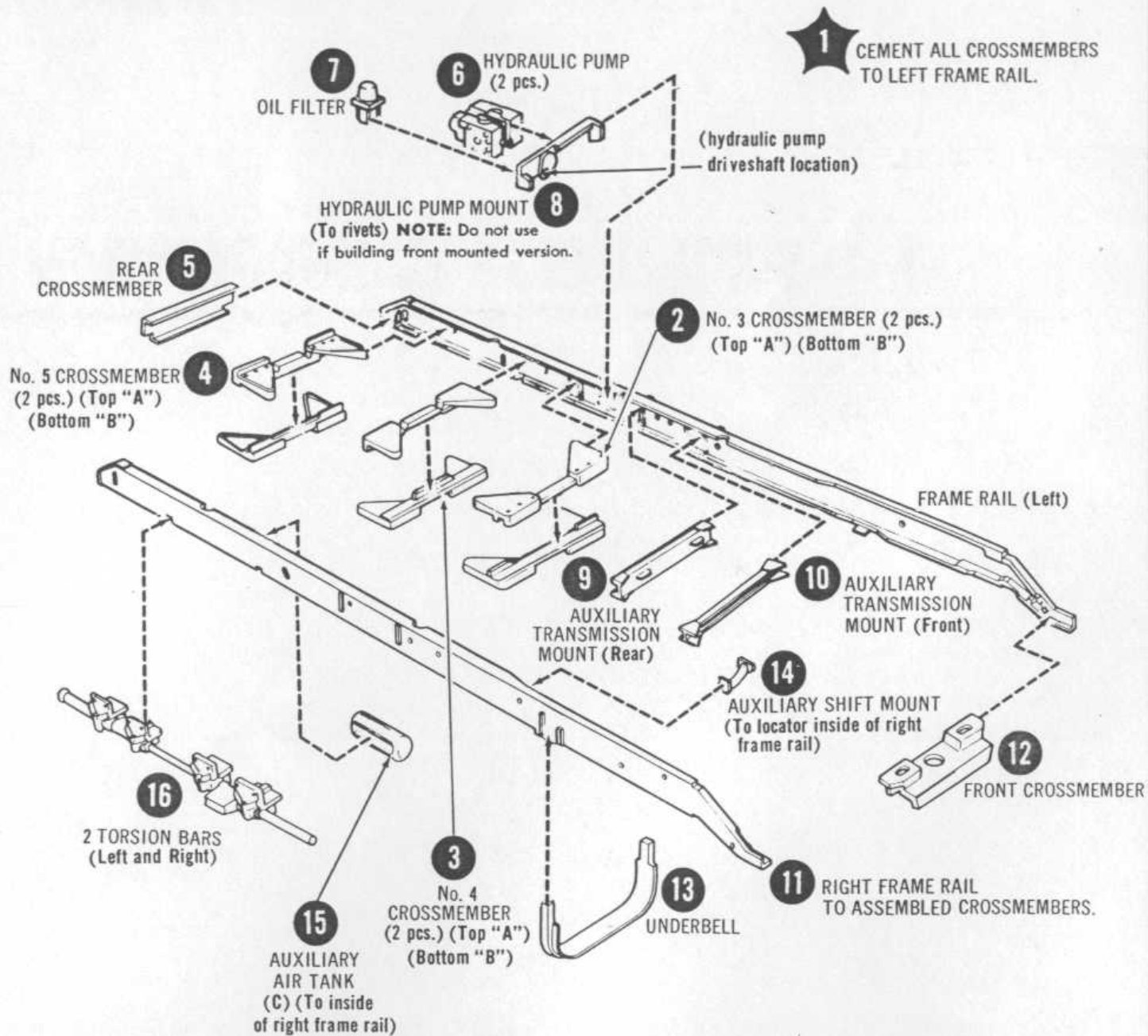
OPTIONAL



OPTIONAL

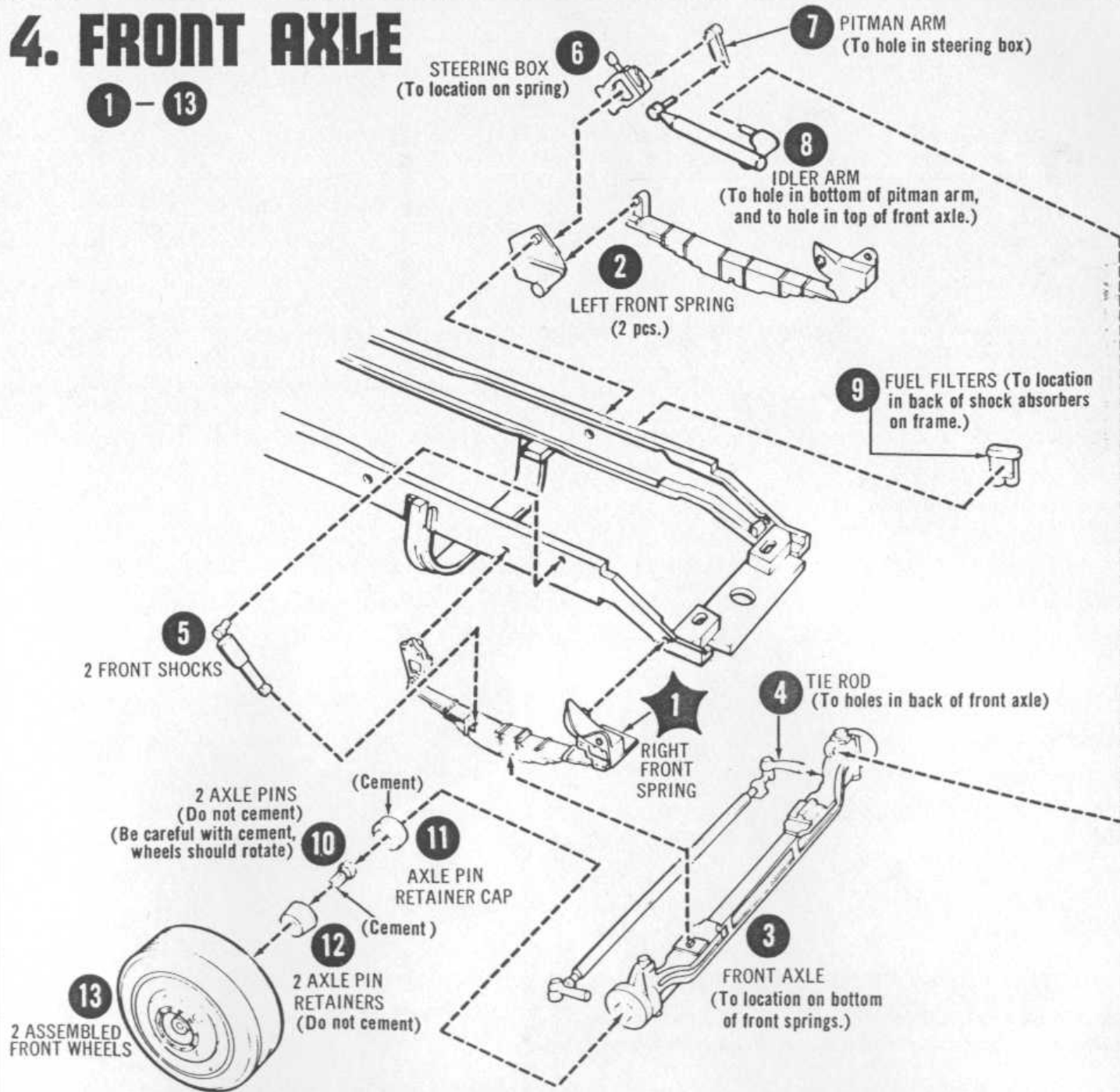


3. BASIC CHASSIS 1 - 16

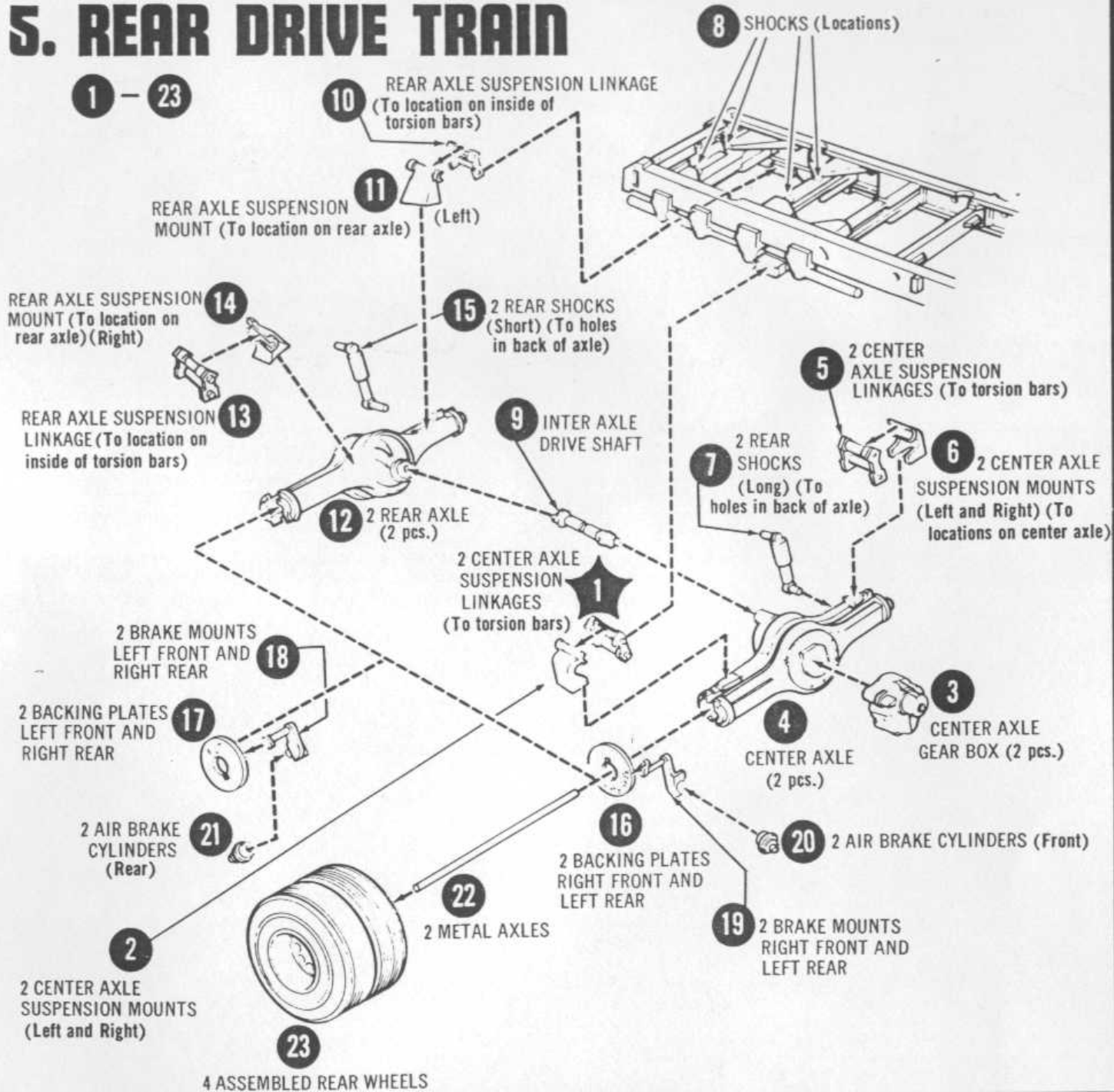


4. FRONT AXLE

1 - 13

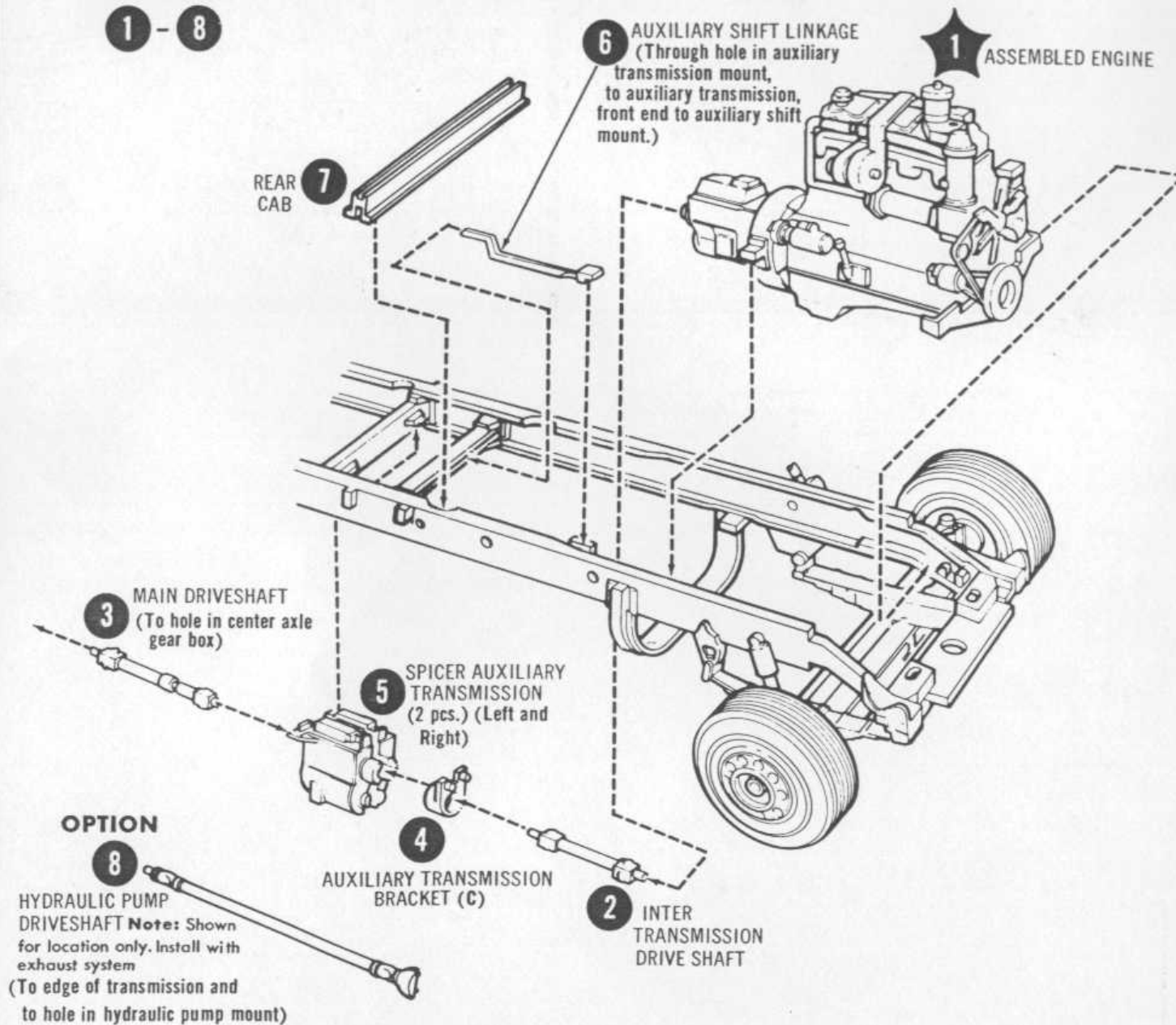


5. REAR DRIVE TRAIN



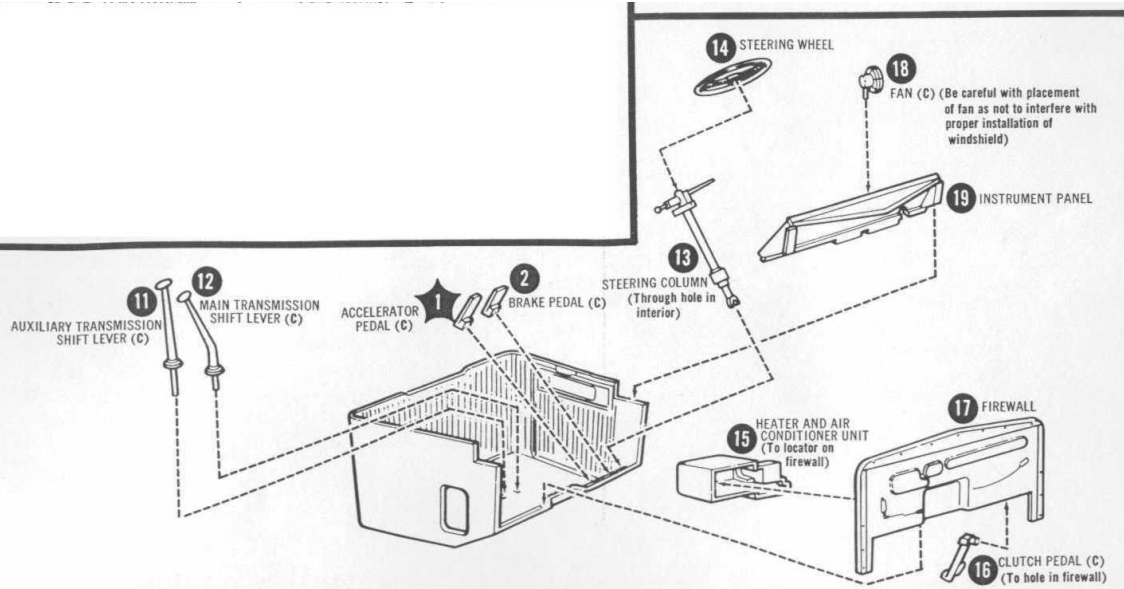
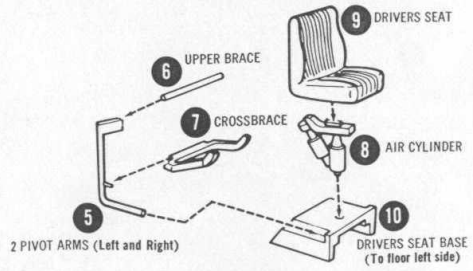
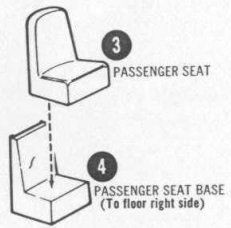
6. ENGINE TO CHASSIS

1 - 8

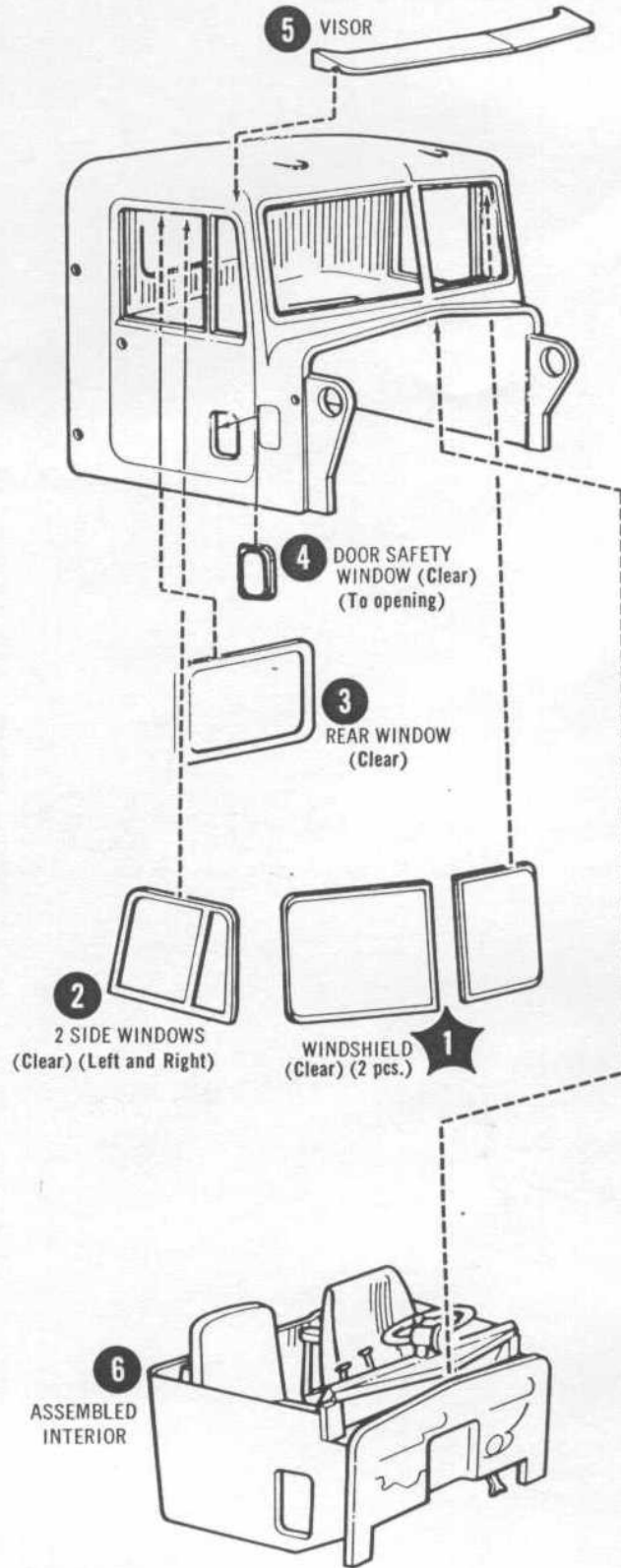


7. INTERIOR

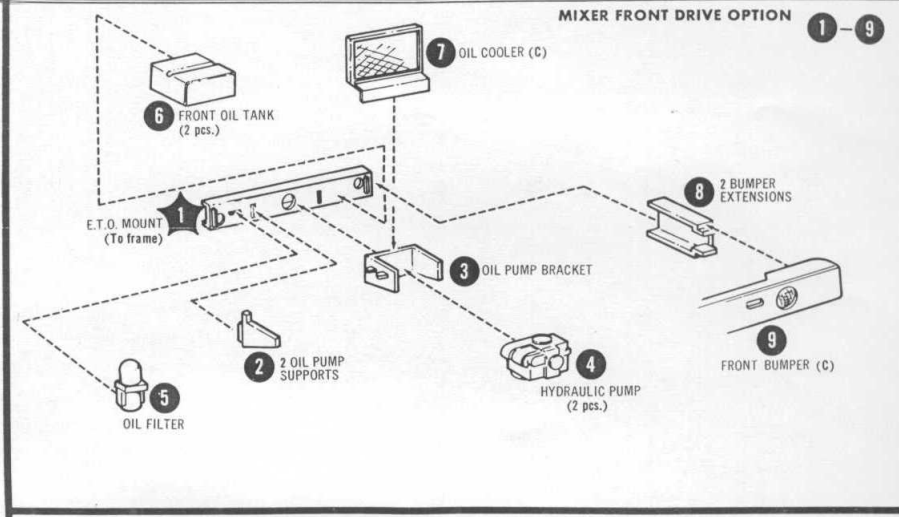
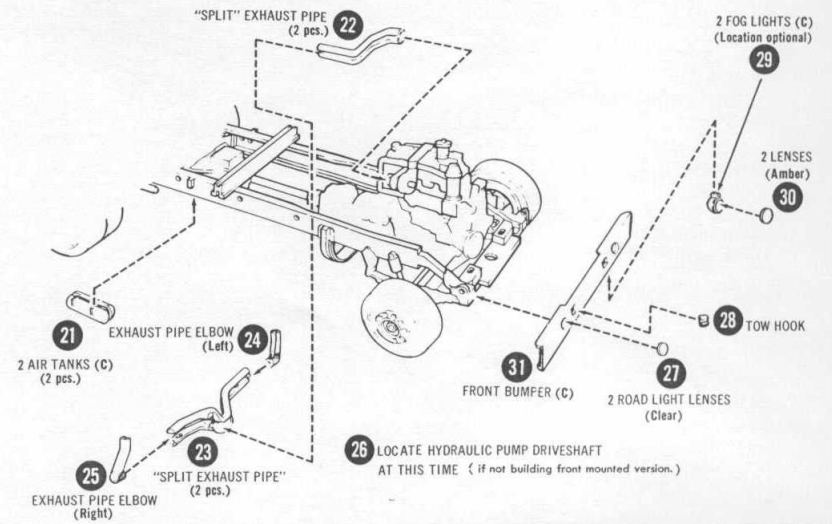
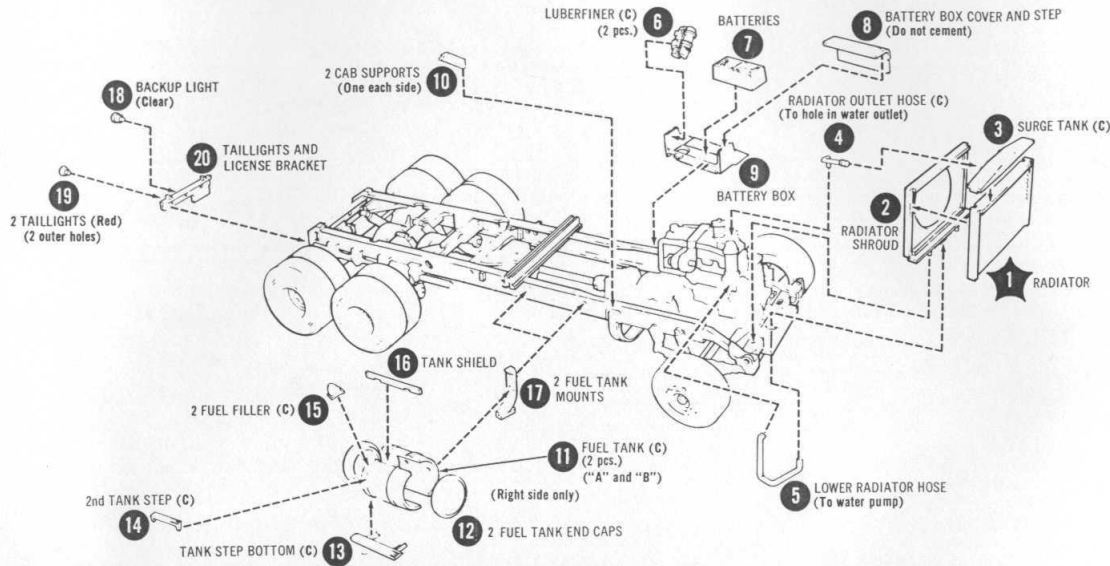
1-19



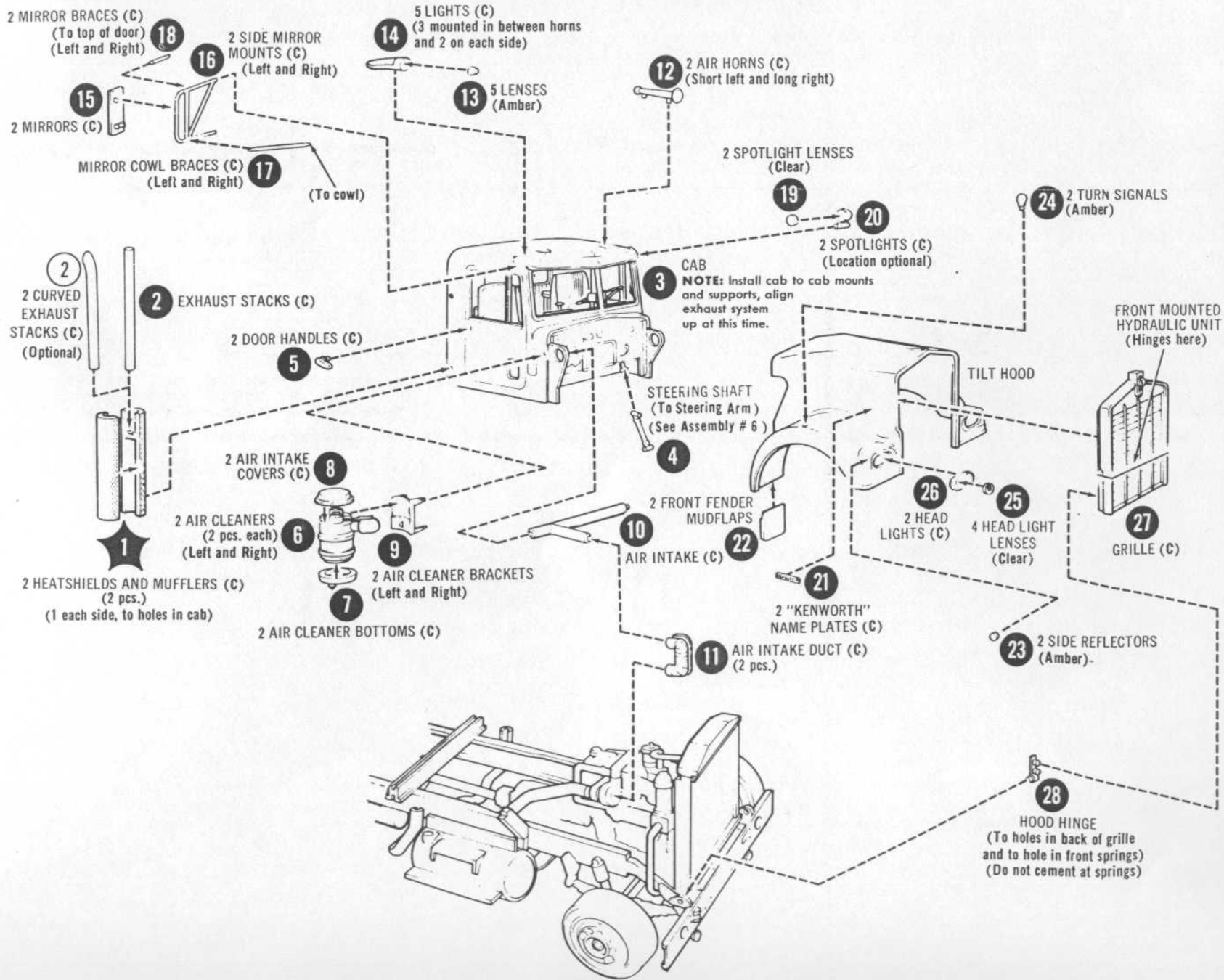
8. BASIC BODY 1-6



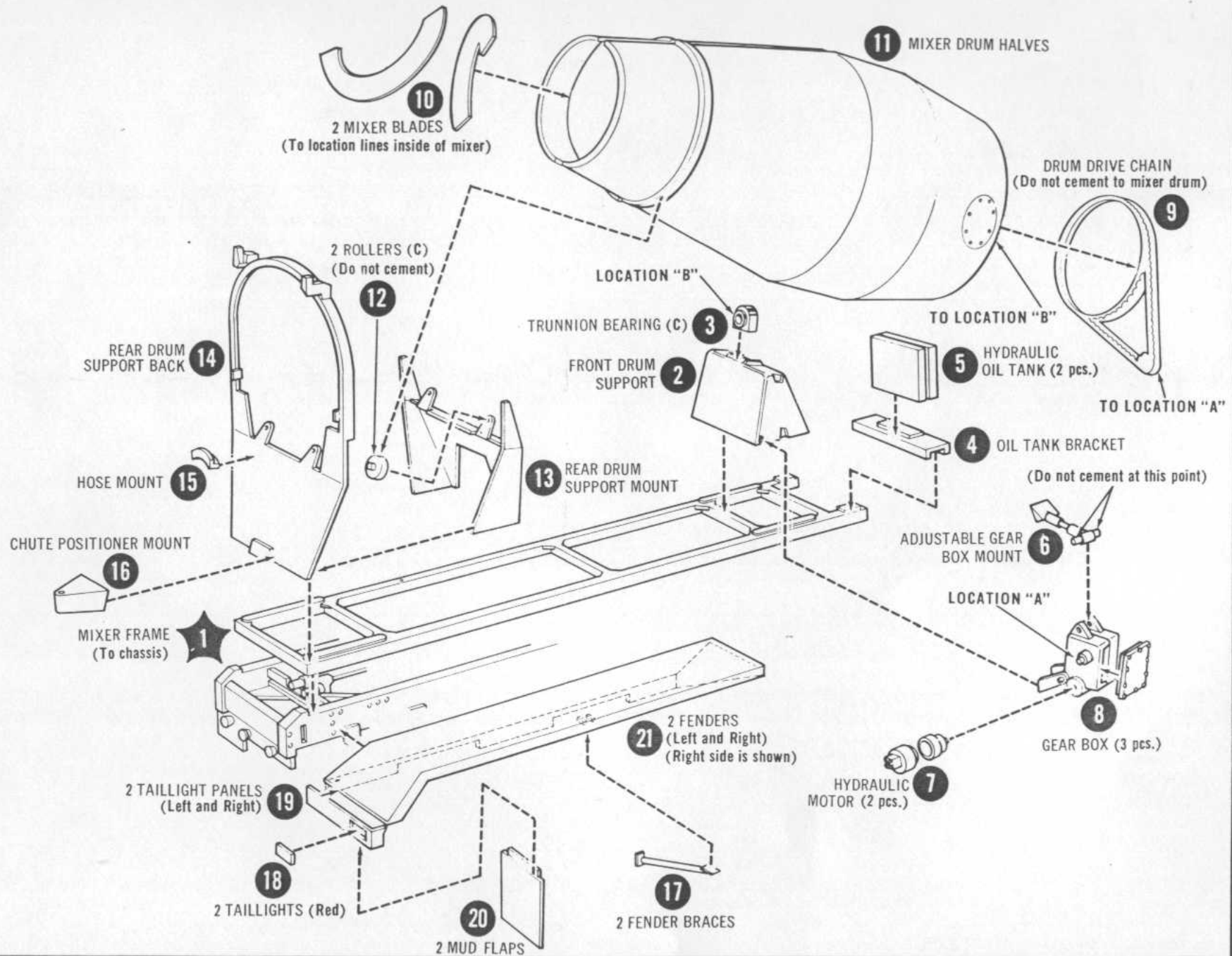
9. CHASSIS ACCESSORIES 1-31



10. CAB ACCESSORIES CAB TO CHASSIS 1 - 28

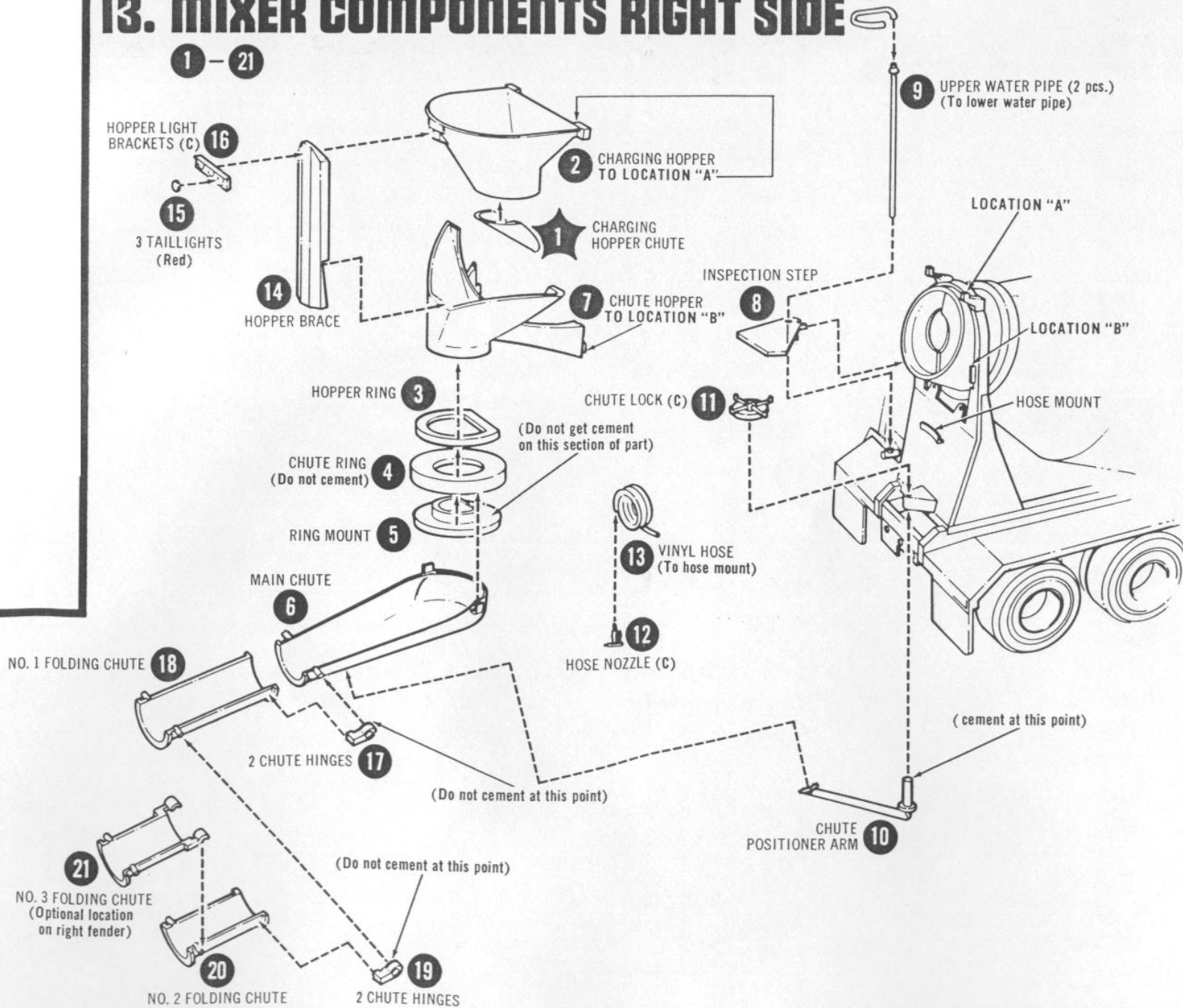


11. BASIS MIXER ASSEMBLIES 1 - 21

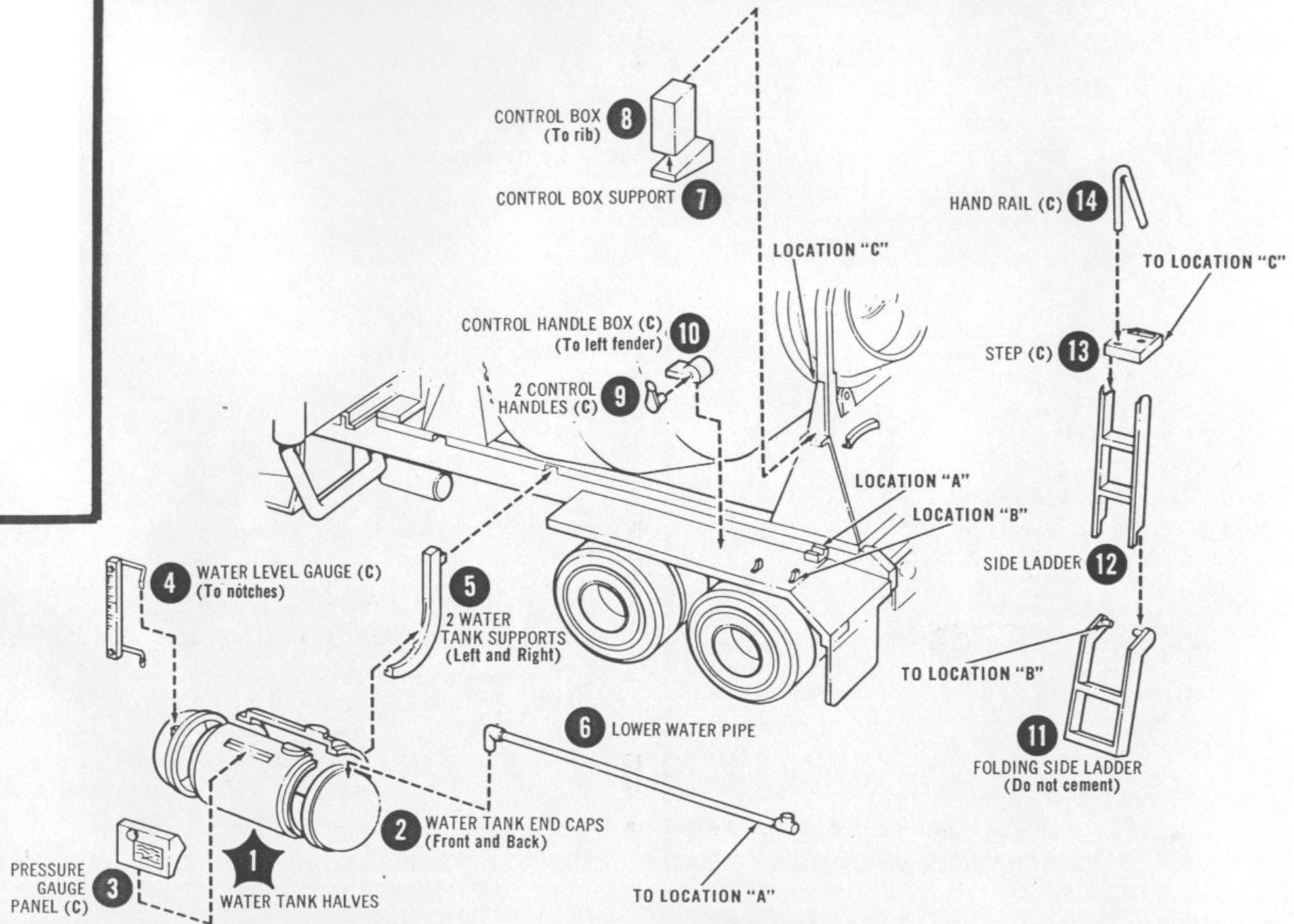


13. MIXER COMPONENTS RIGHT SIDE

1 - 21



12. MIXER COMPONENTS LEFT SIDE 1 - 14



PARTS NOT USED IN THIS KIT

