



RESIN PARTS
FOR SCALE PLASTIC KITS

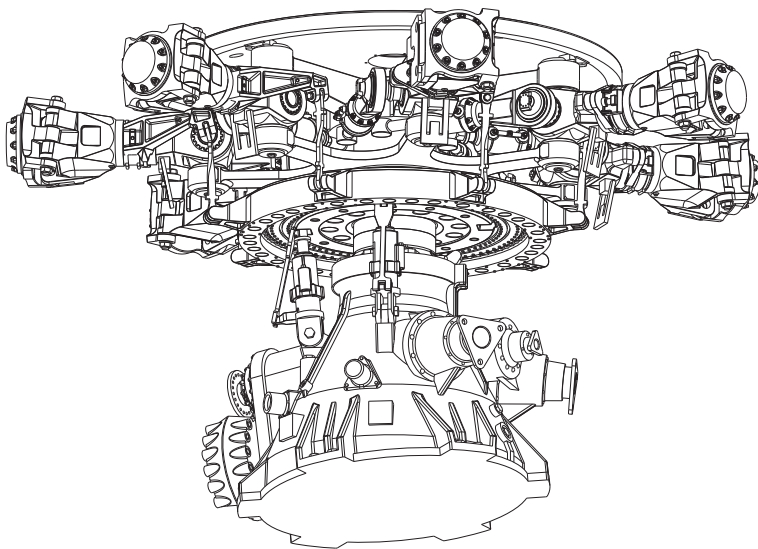
INSTRUCTION **RSU48-21**

YOU CAN FIND INSTRUCTIONS
IN PDF FORMAT ON THE WEBSITE

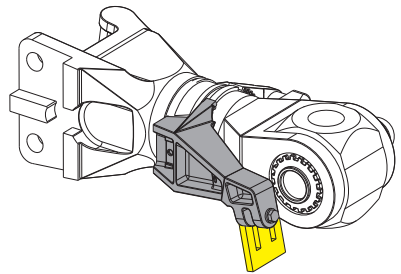
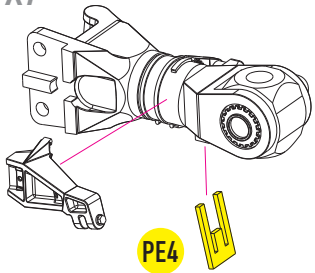
WWW.RESKIT.COM.UA

MAIN ROTOR

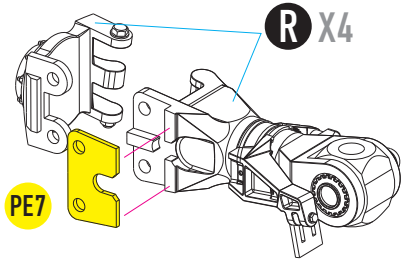
CH-53E SUPER STALLION, MH-53E SEA DRAGON
7 BLADES - 3 ENGINES



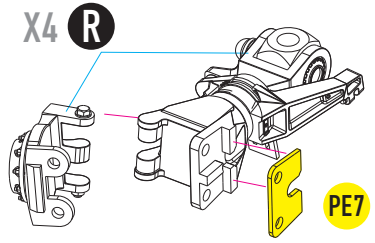
1 X7



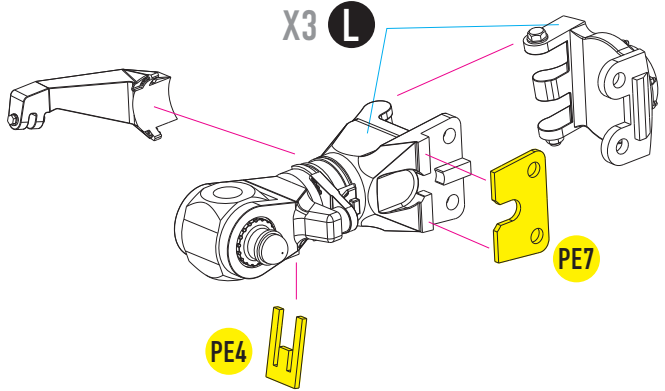
2 BLADES IN FLY POSITION



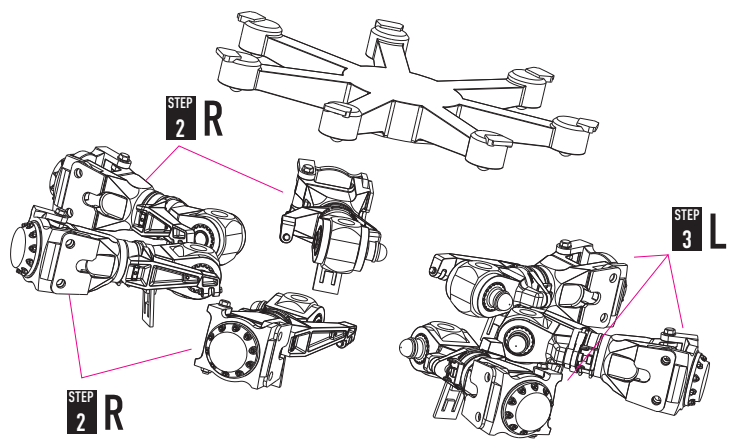
BLADES IN FOLD POSITION



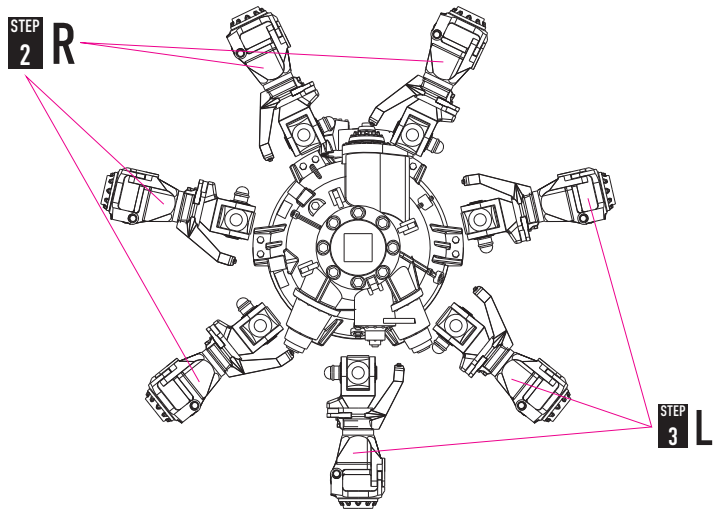
3



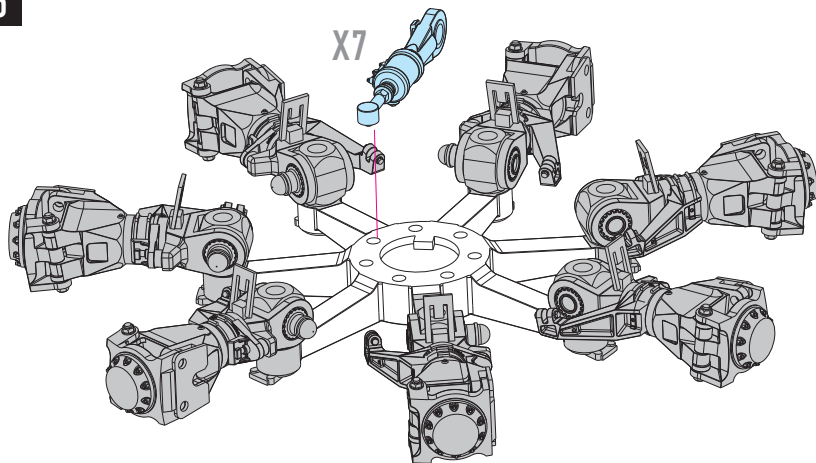
4



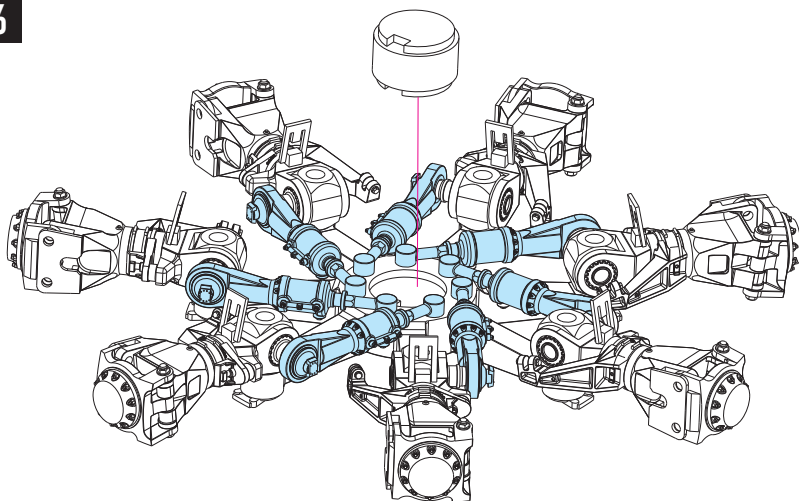
↑
FRONT



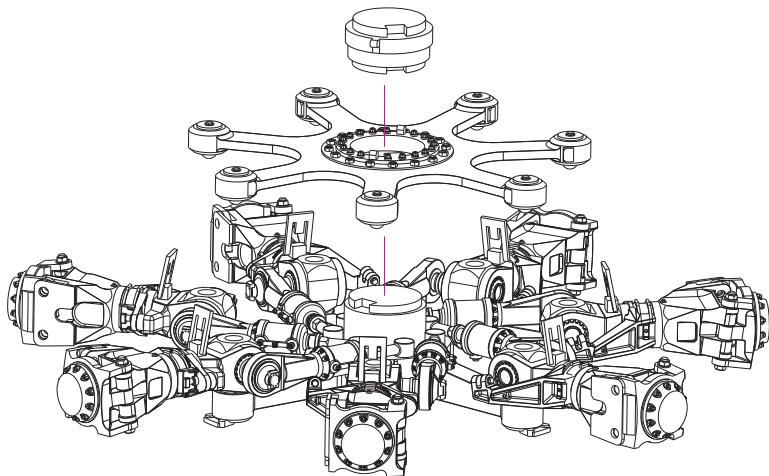
5



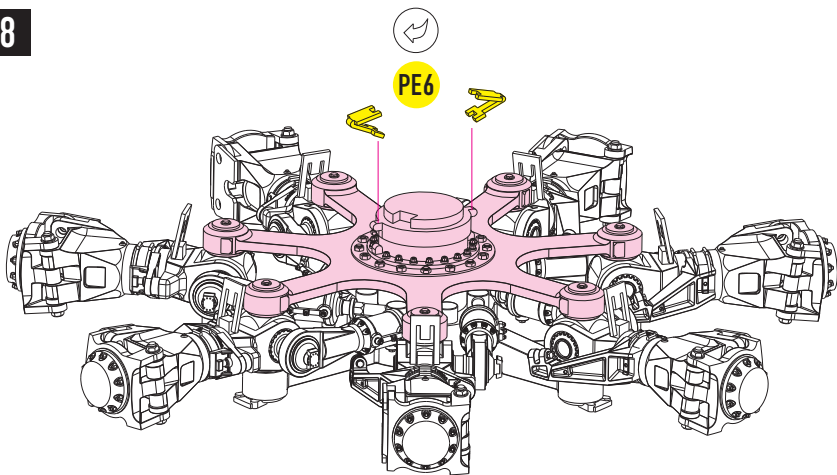
6



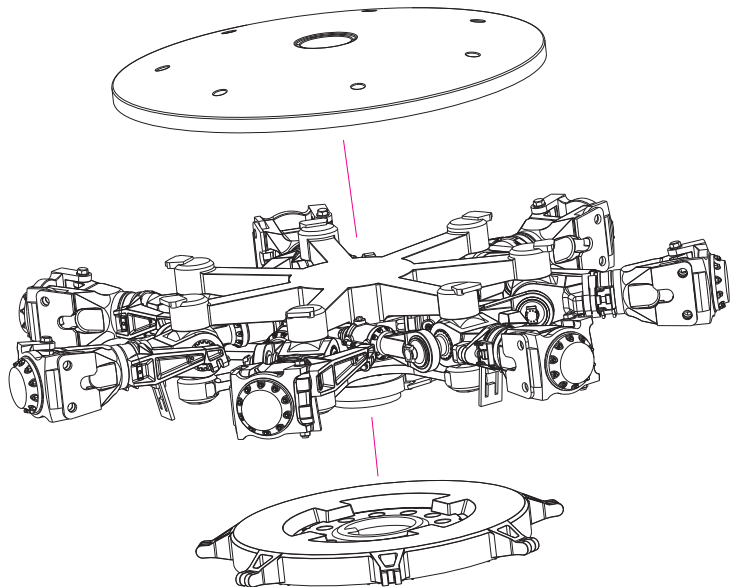
7



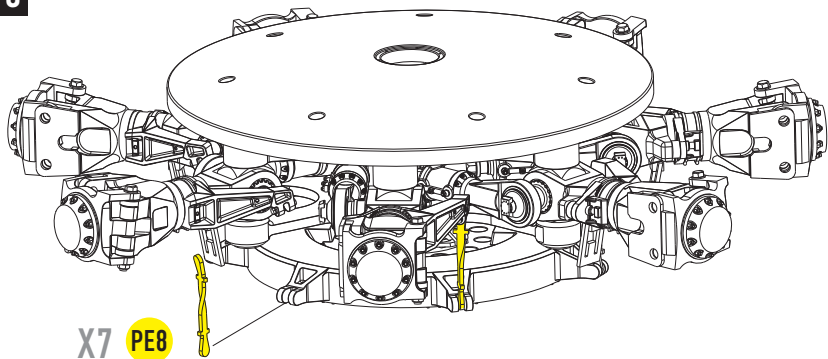
8



9



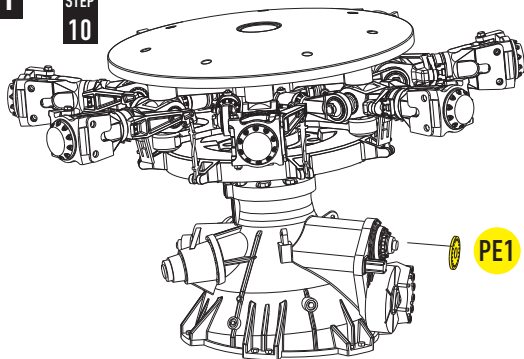
10



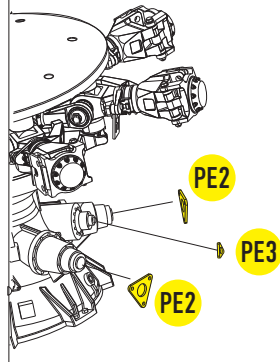
X7 PE8

11

STEP
10

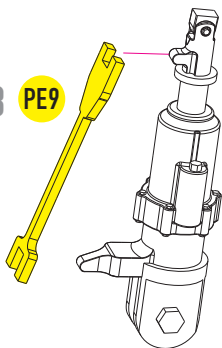


12

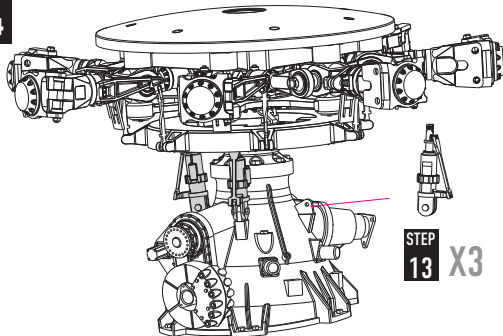


13

X3

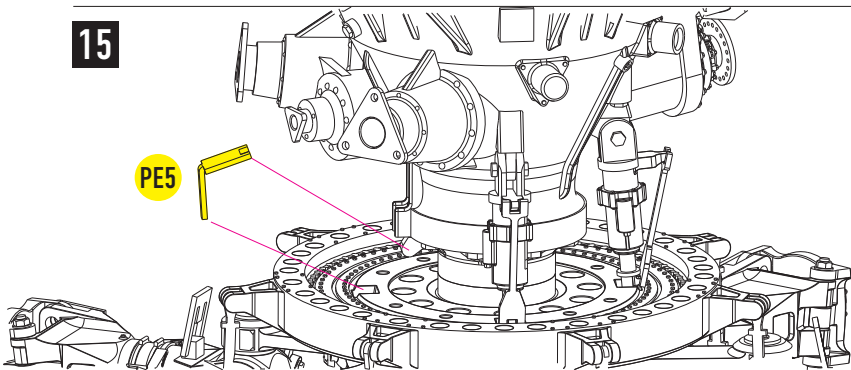


14



15

PE5



WHAT ELSE? for CH-53E SUPER STALLION, MH-53E SEA DRAGON

RS48-0063 / CH-53 (G, E, J) MH-53M wheels set

RSU48-0005 / Fuel tank CH-53 (2 pcs)

RSU48-0006 / Air Intakes CH-53, MH-53 (3 pcs)

RSU48-0007 / Front wheel bay CH-53, MH-53

RSU48-0008 / CH-53, MH-53 Weapon Set (Browning M50) and Ammo belts feeder

RSU48-0009 / Seat CH-53, MH-53 with PE safety belts

RSU48-0021 / Rotor CH-53 Super Stallion, MH-53E Sea dragon (7 blades - 3 engines)

RSU48-0037 / Tail rotor for CH-53E Super Stallion / MH-53E Sea dragon

WWW.RESKIT.COM.UA