

5032

MILITARY MINIATURE SERIES

WITH FULL INTERIOR KIT

1/35 SCALE



U.S MRAP All TERRAIN VEHICLE M1240A1 M-ATV

耐地雷/伏擊防護全地形対応車
美国防地雷反伏击车全内构版

ASSEMBLY ICONS



OPTIONAL
选择



CEMENT
膠水



DO NOT CEMENT
不使用膠水



INSTANT CEMENT
瞬間接著劑



BEND
彎折



MAKE 2
製作2組



OPEN HOLE
鑽孔



REMOVE
切除



BE CAREFUL
注意



APPLY DECAL
貼上水貼紙

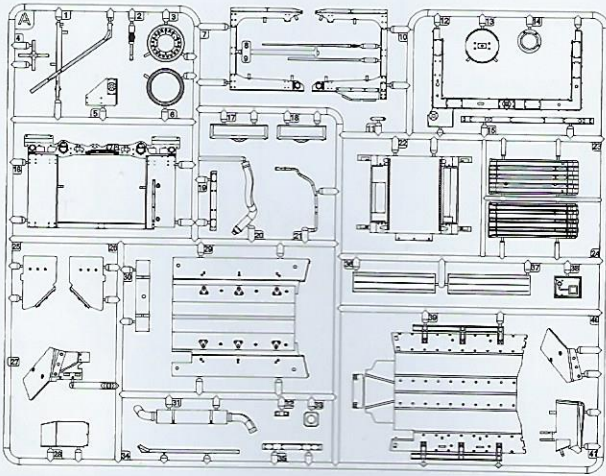
CAUTION!

Read carefully and fully understand the instructions before commencing assembly.
Supervising adult should also read the instructions if a child assembles the model.
When you used glue or paint, do not use near a naked flame, and use in a well-ventilated room.
When assembling this kit, tools including knives are used. Extra care should be taken to avoid personal injury.
Read and follow the instructions supplied with paints and/ or cement. Use plastic cement and paints only.
Keep out of reach of small children. Children must not be allowed to suck any part, or pull vinyl bag over the head.

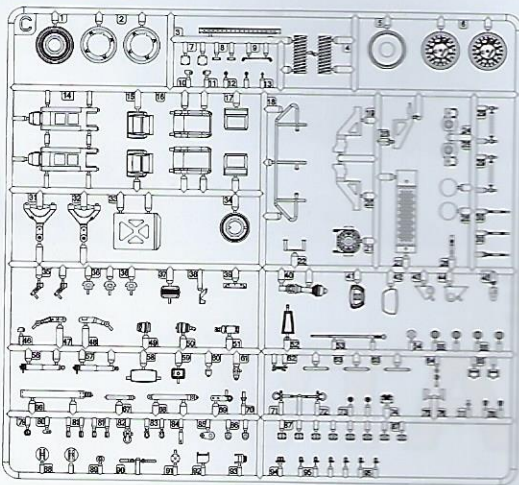
在裝配前仔細閱讀說明並完全理解。小孩裝配時需成人看護且需仔細閱讀說明。
使用膠水和油漆時，應遠離火源並打開窗戶保持空氣流通。
製作時請格外注意工具刀和零件的鋒利尖銳部分，避免對身體造成傷害。
在使用膠水和油漆前仔細閱讀注意事項，按照說明正確使用膠水和油漆。
請將本品放在兒童接觸不到的地方，套件中的塑膠包裝袋會對兒童造成窒息的危險。

PARTS 部品图

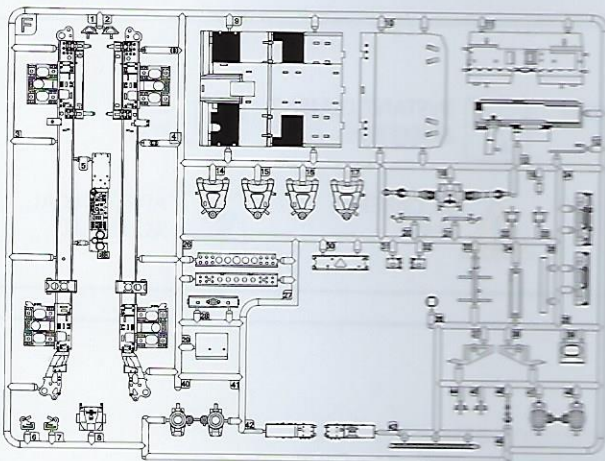
A 1piece



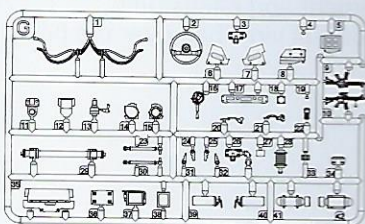
C 2pieces



F 1piece



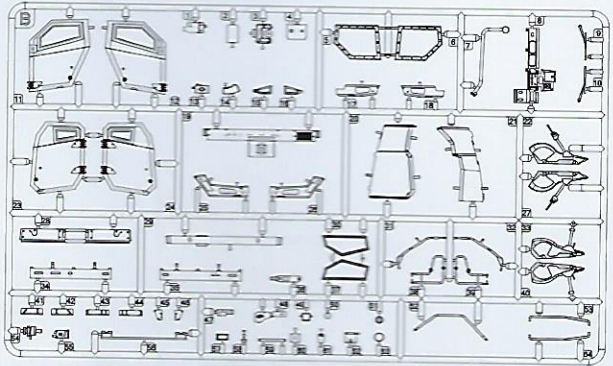
G 1piece



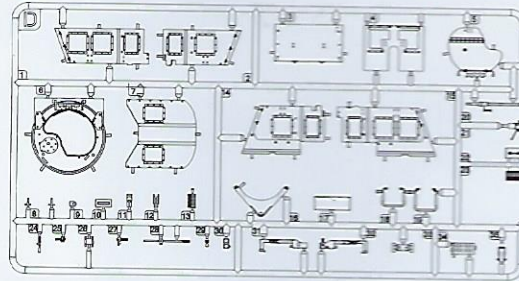
Upper Hull



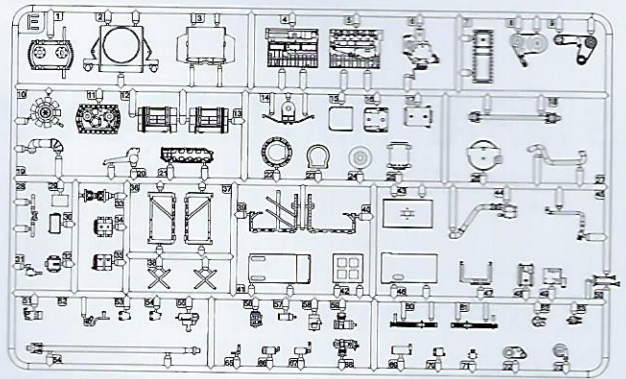
B 1piece



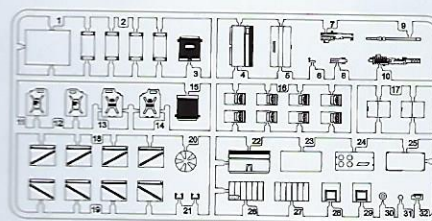
D 1piece



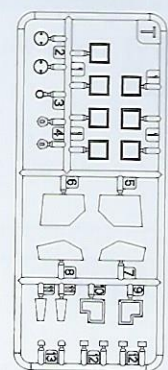
E 1piece



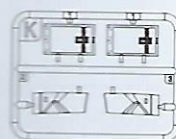
O 1piece



T 1piece



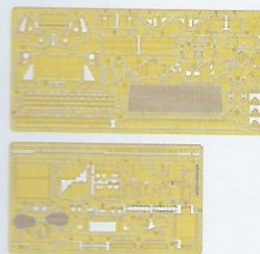
K 1piece



Tyre 5pieces



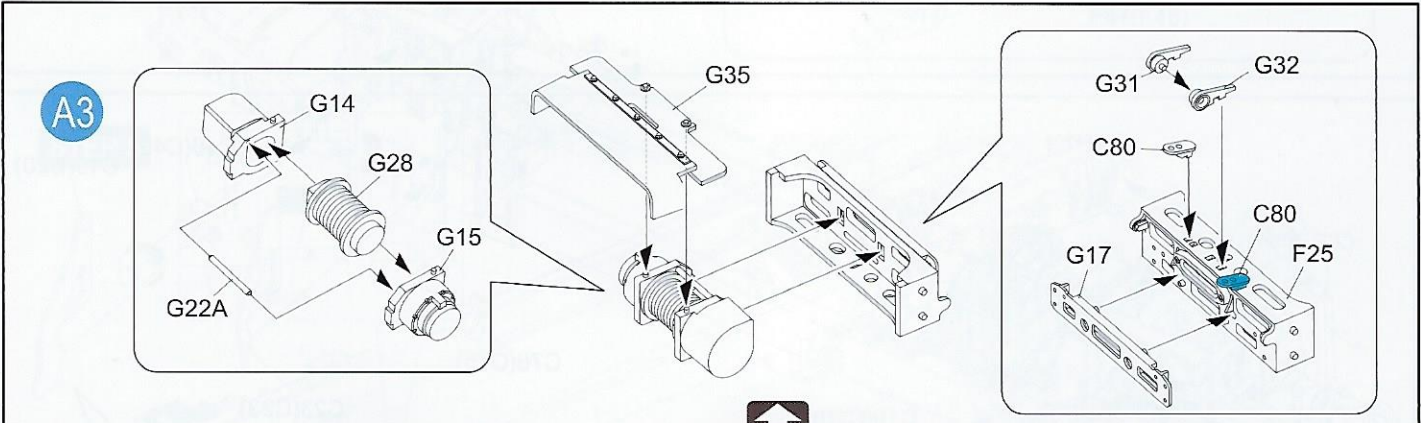
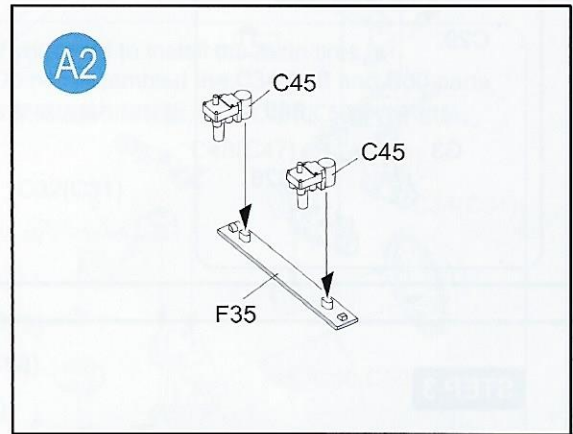
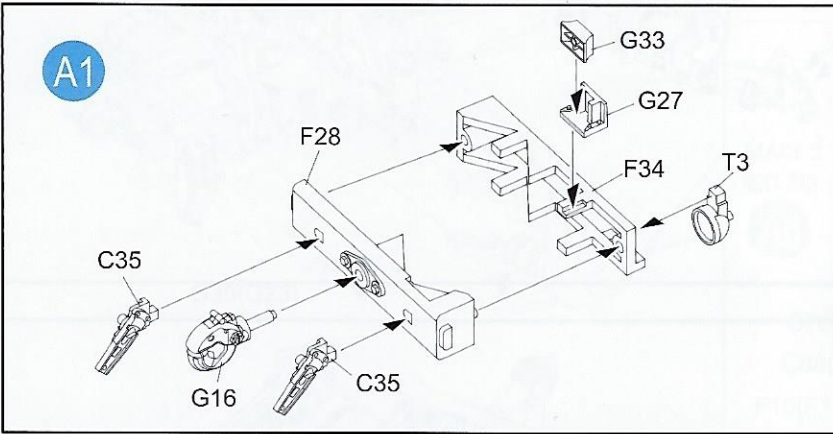
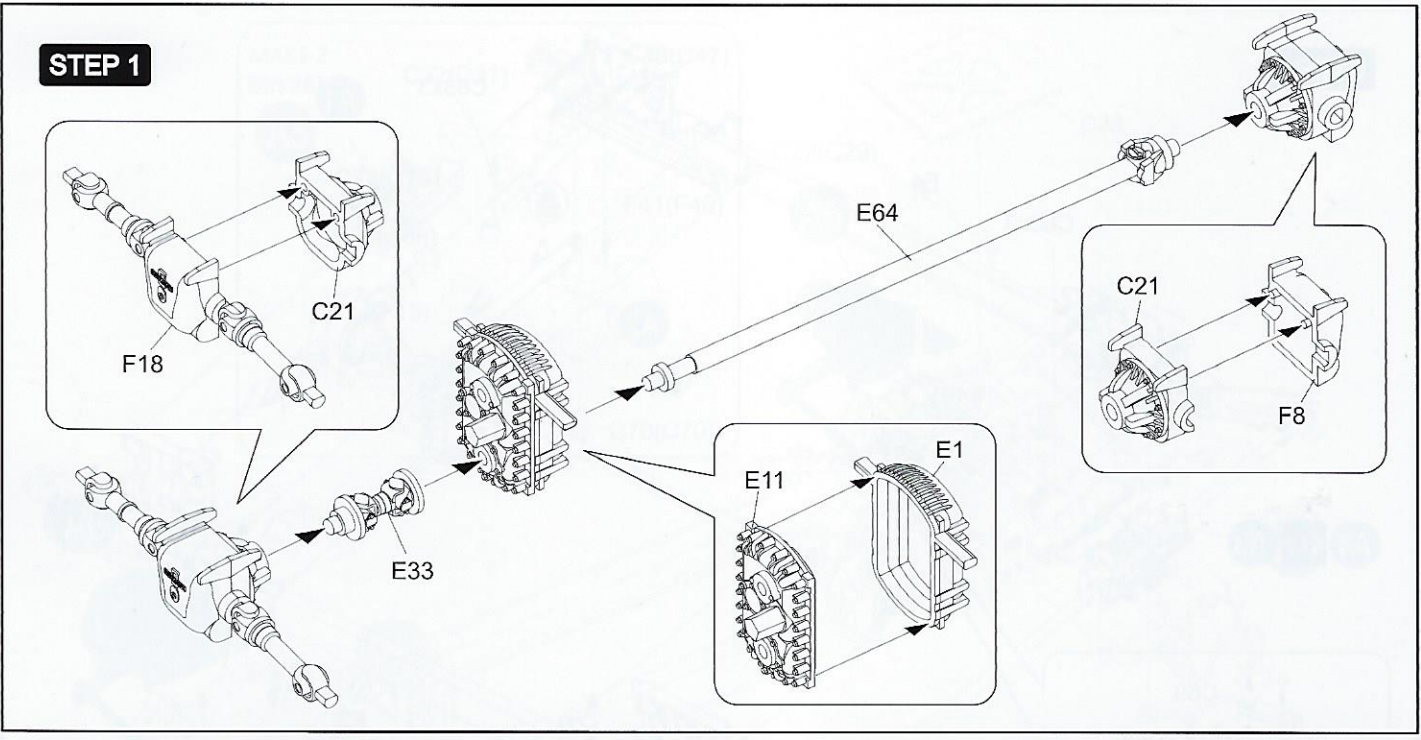
Photo Etched



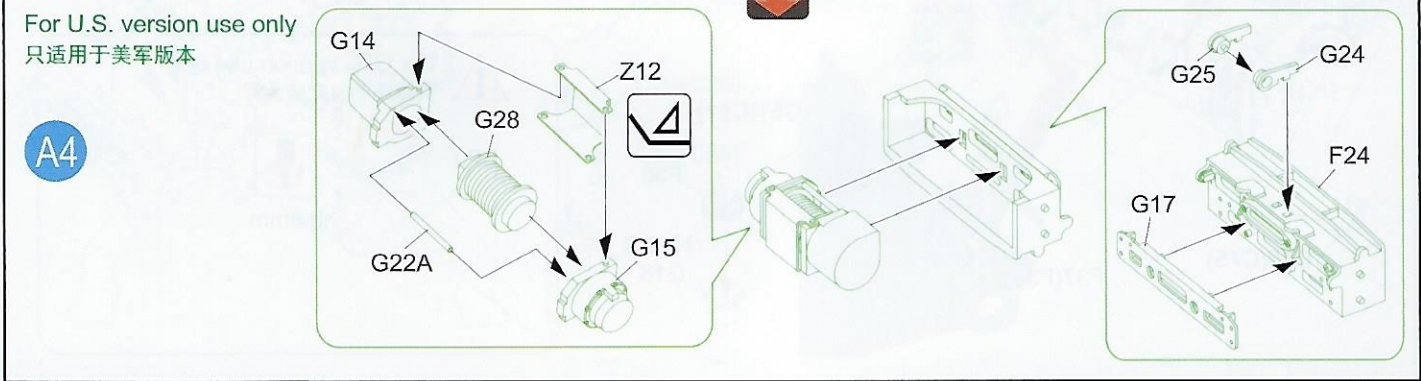
Decal



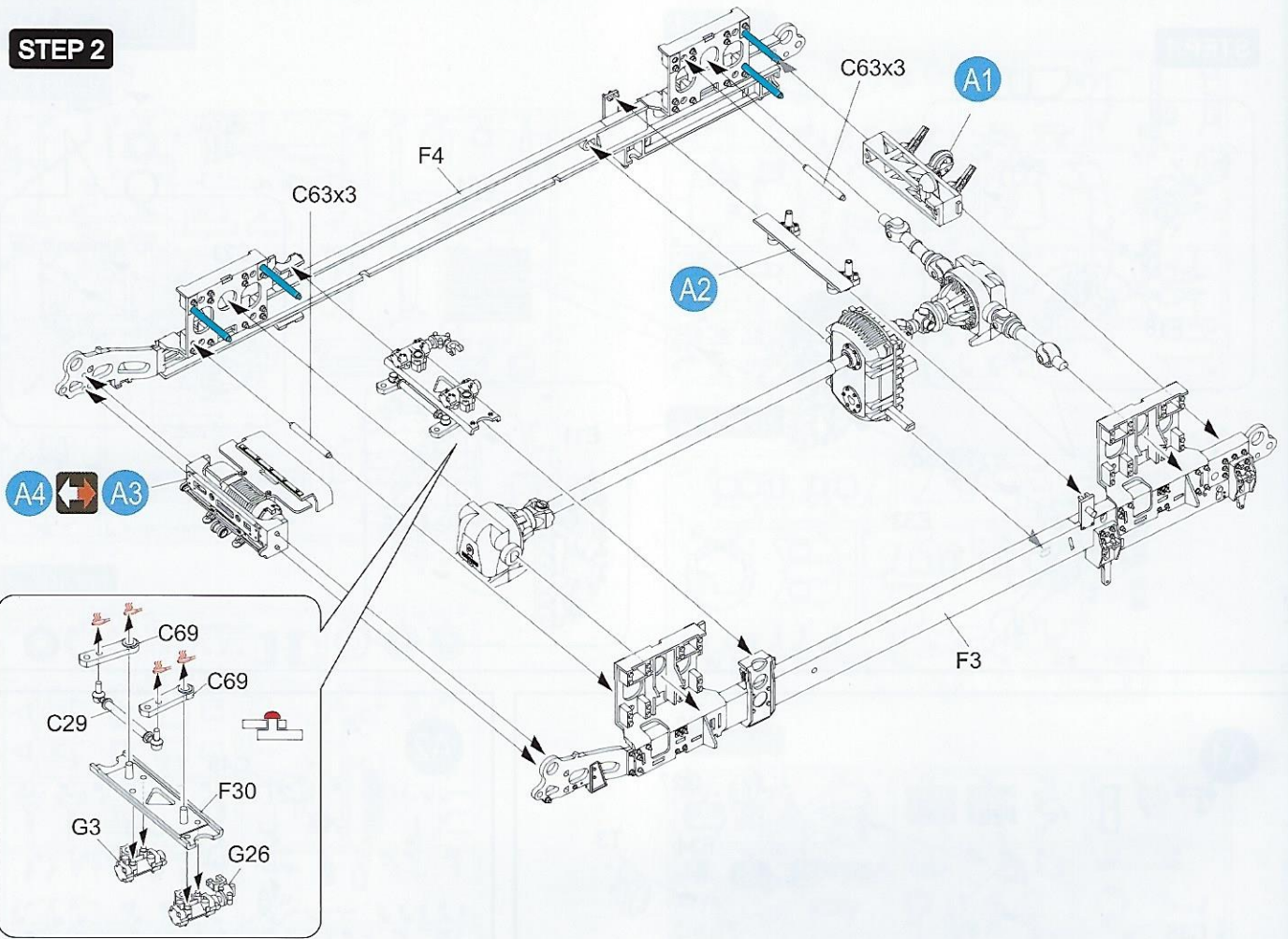
STEP 1



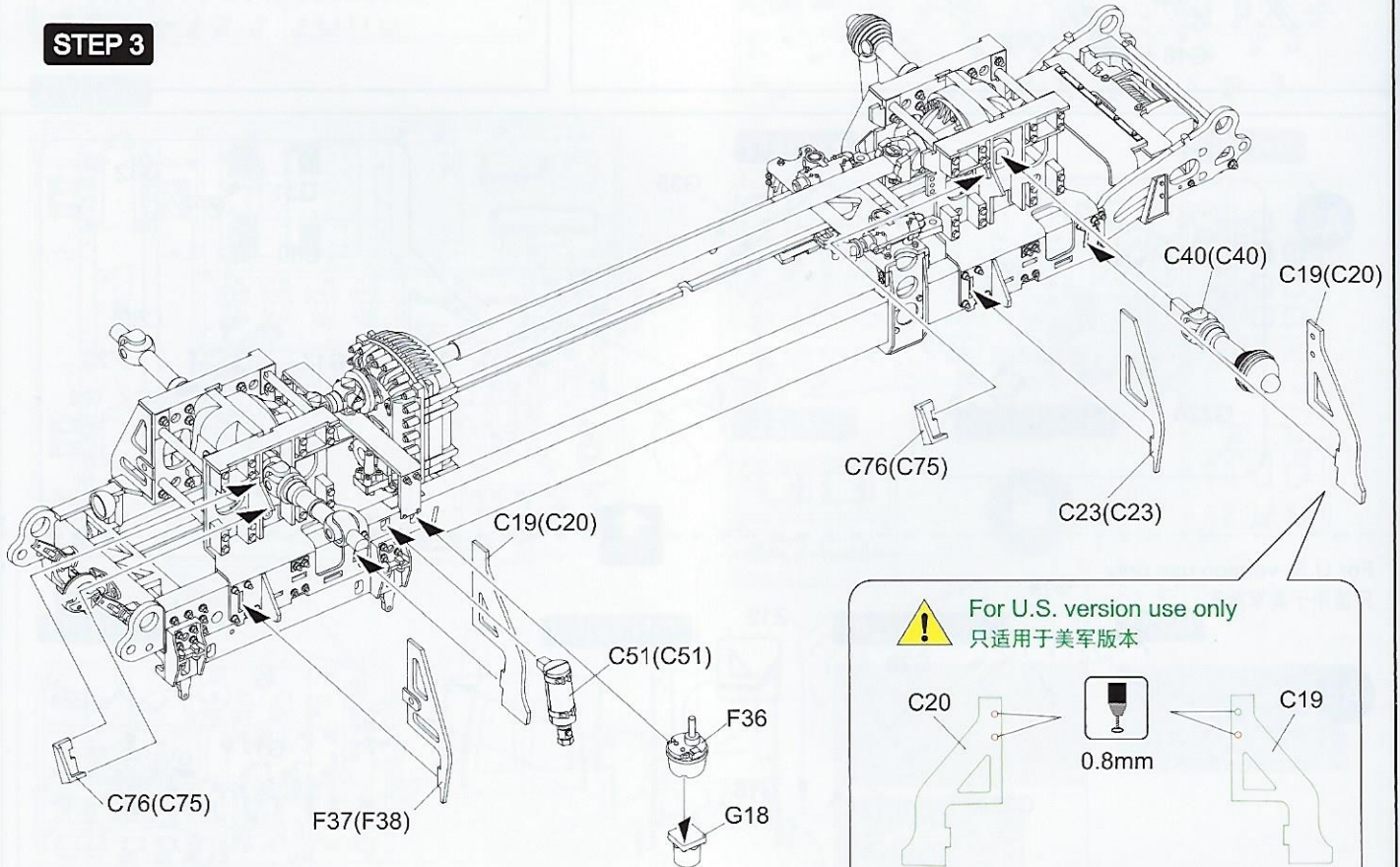
For U.S. version use only
只适用于美军版本



STEP 2



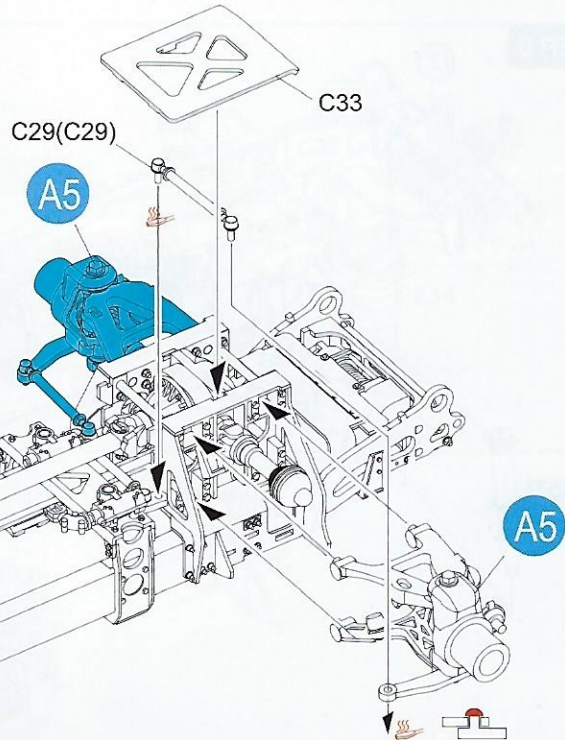
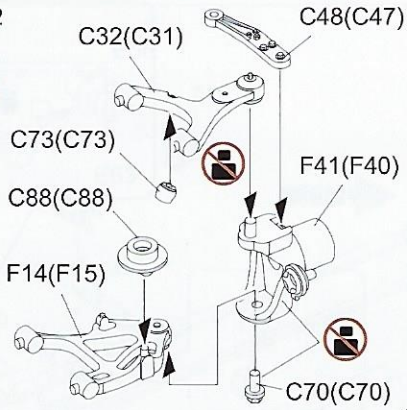
STEP 3



STEP 4

MAKE 2
制作2组

A5



A6

A5

C33

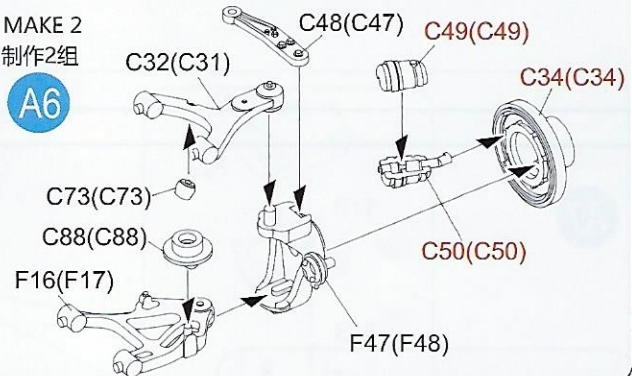
G30(G23)



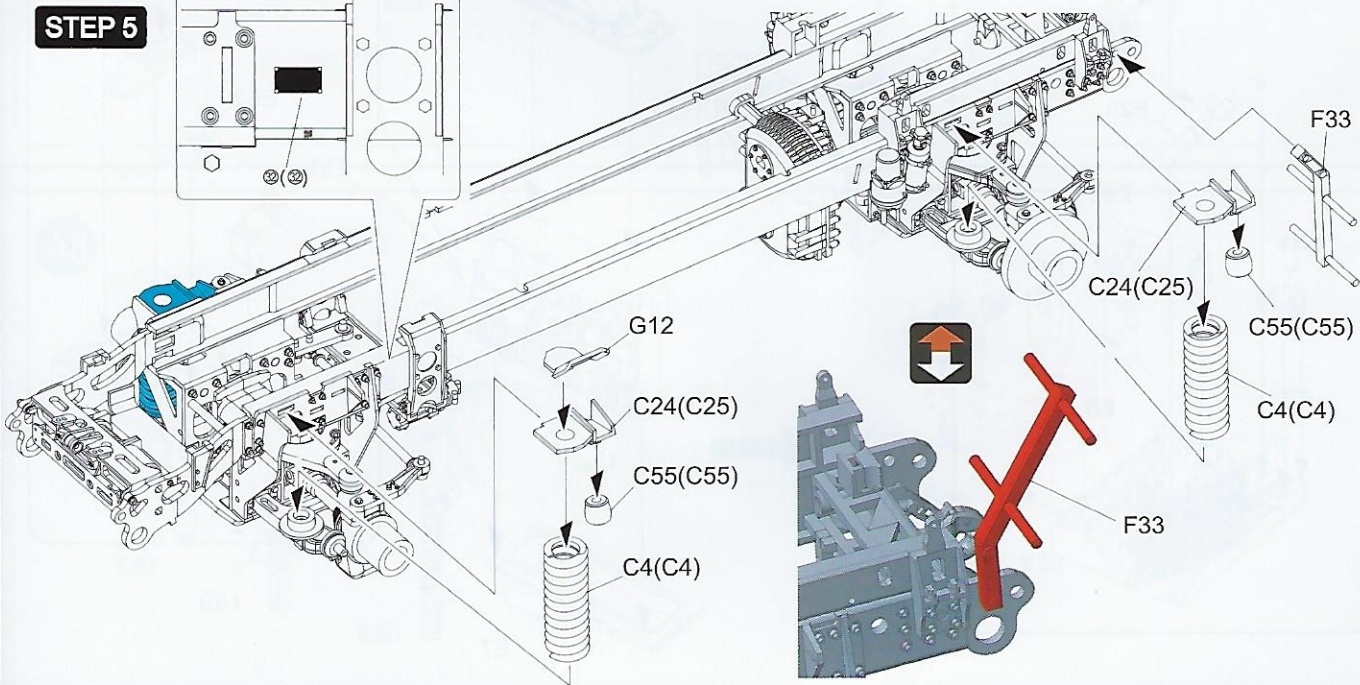
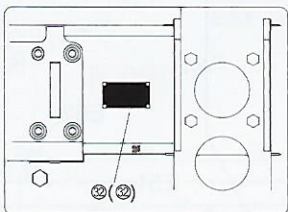
If you need to install the resin tires,
Do not assembled the C34,C49 and C50 parts.
如果需选装树脂轮胎, C34,C49和C50零件不组装。

MAKE 2
制作2组

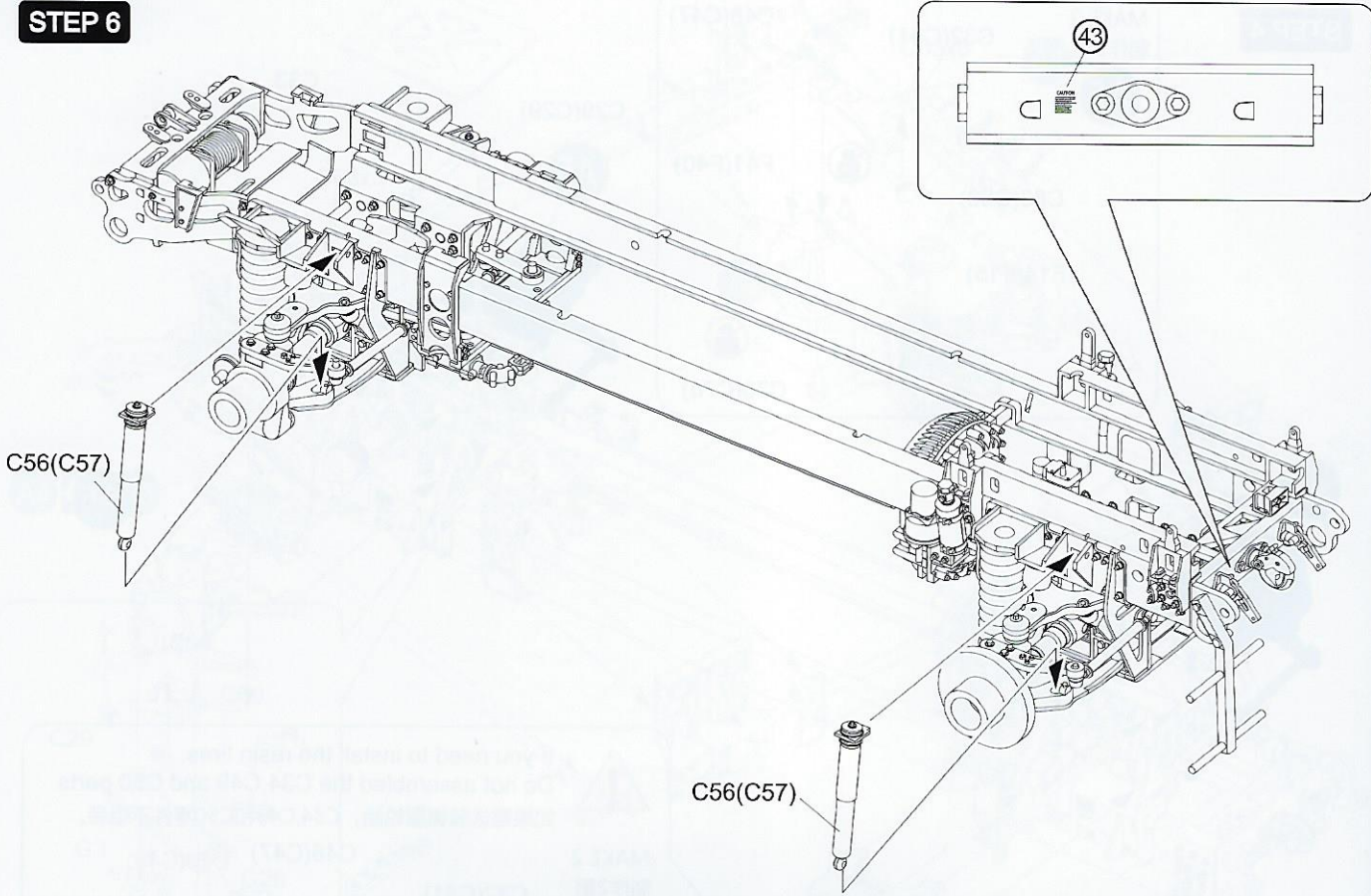
A6



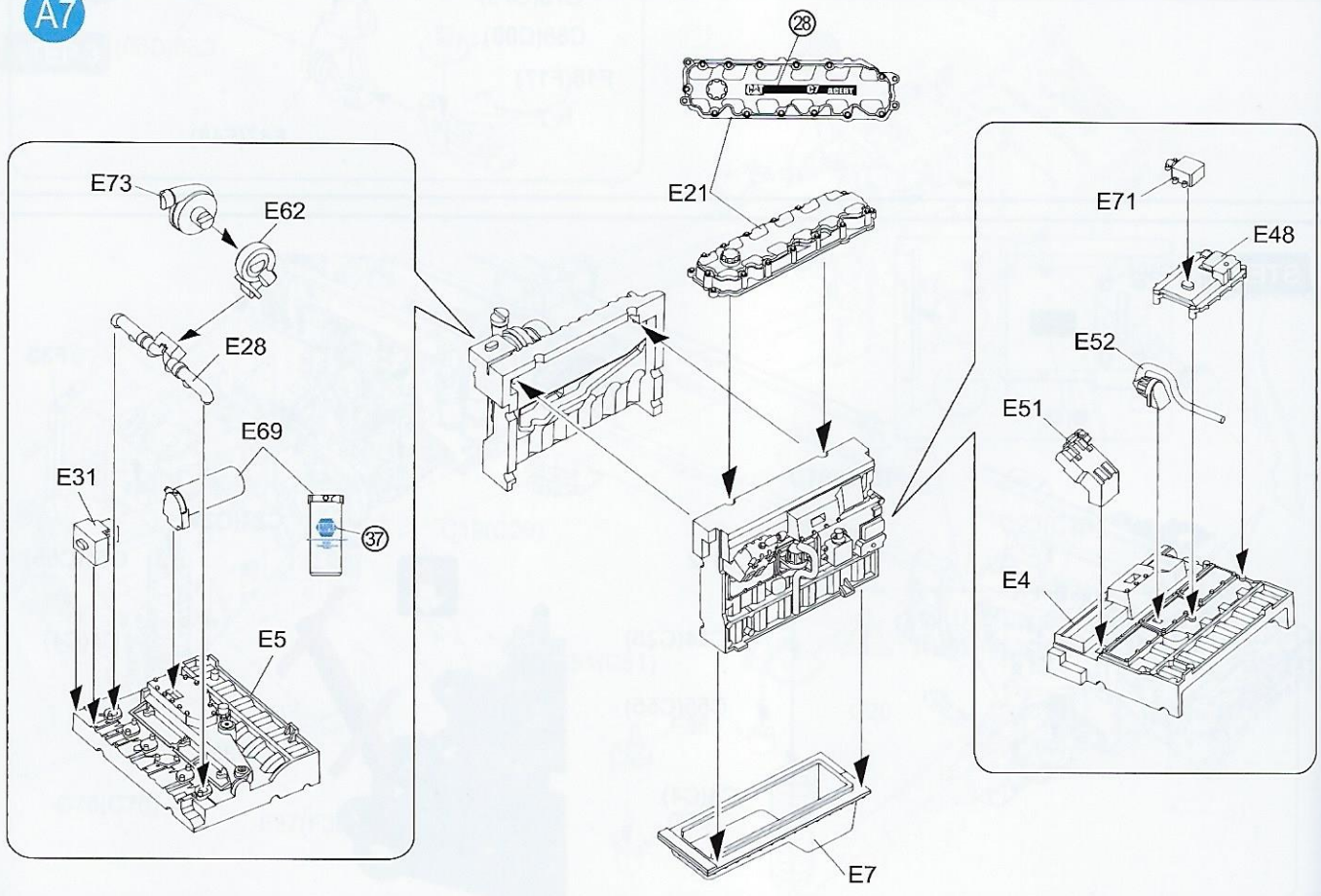
STEP 5

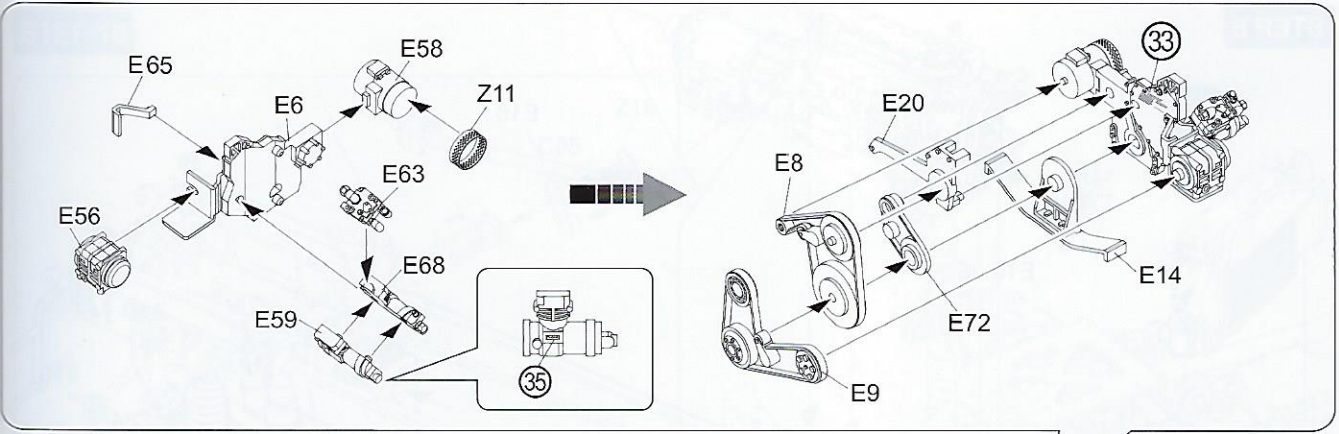


STEP 6

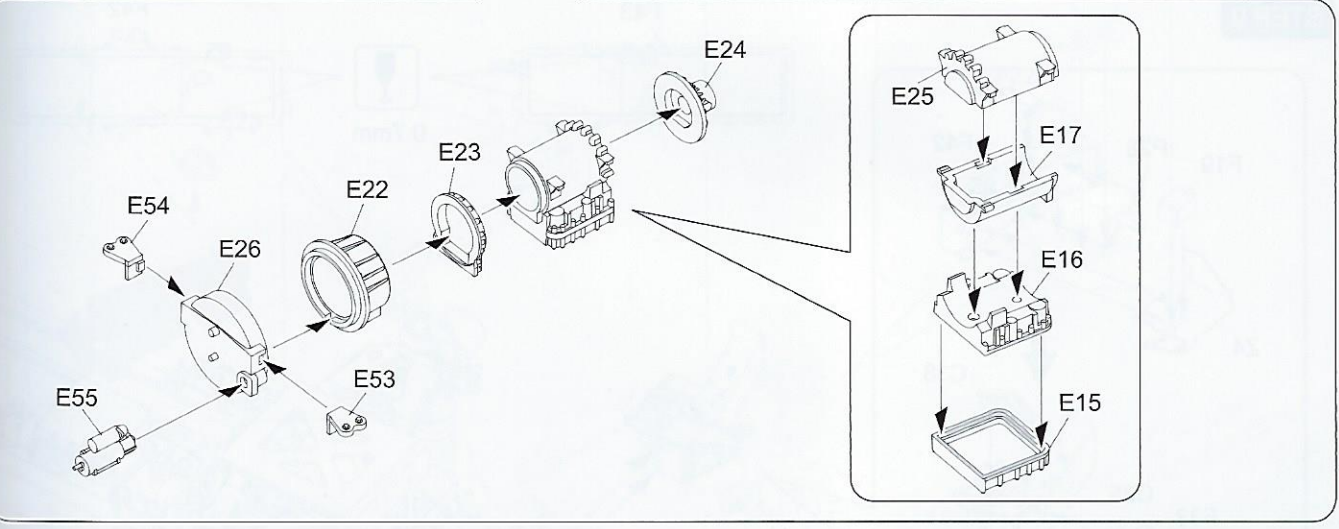
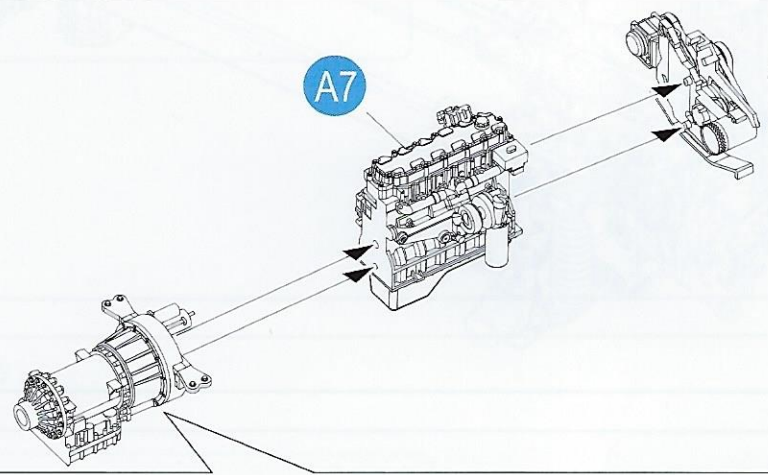


A7

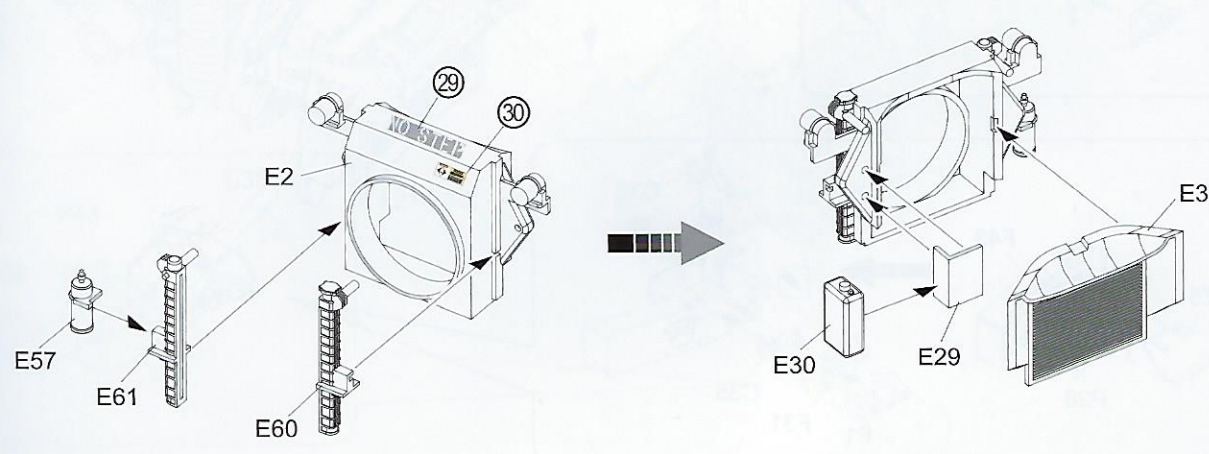




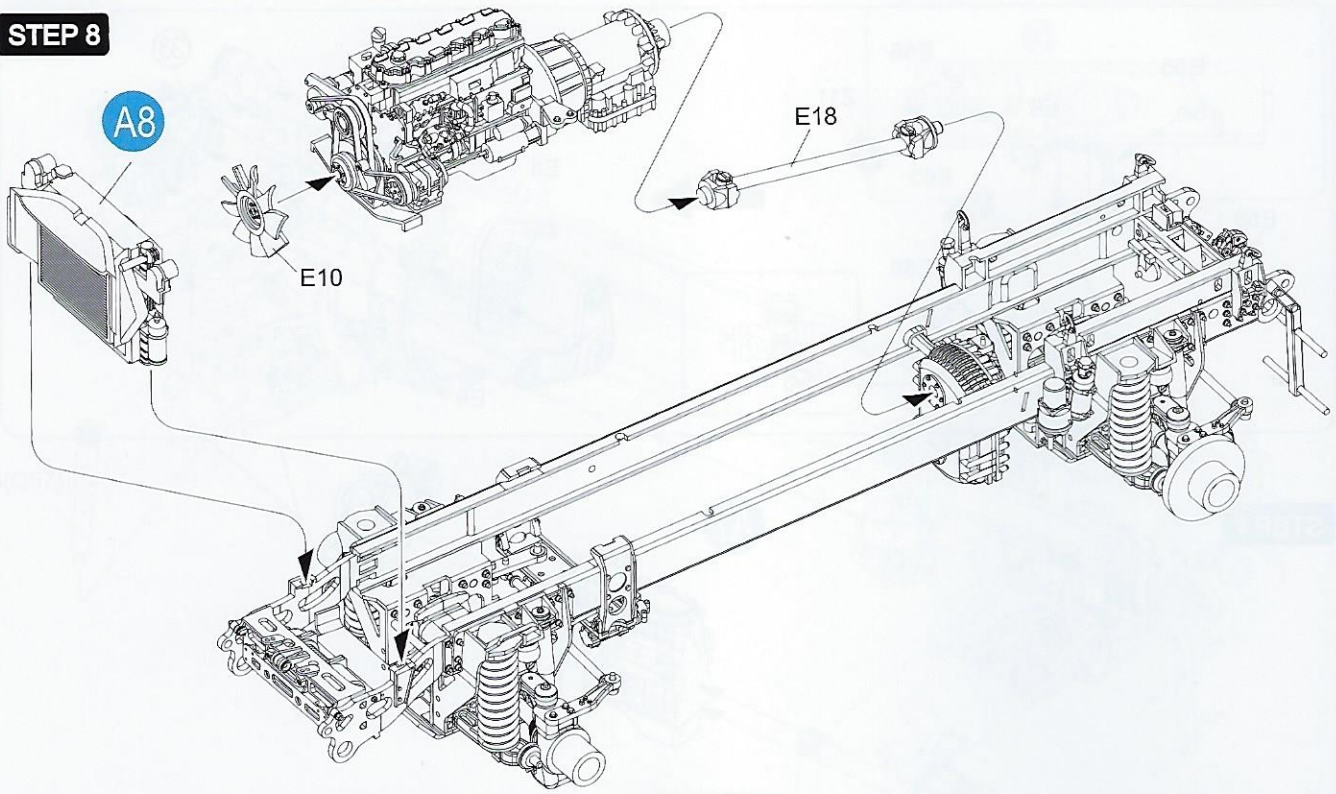
STEP 7



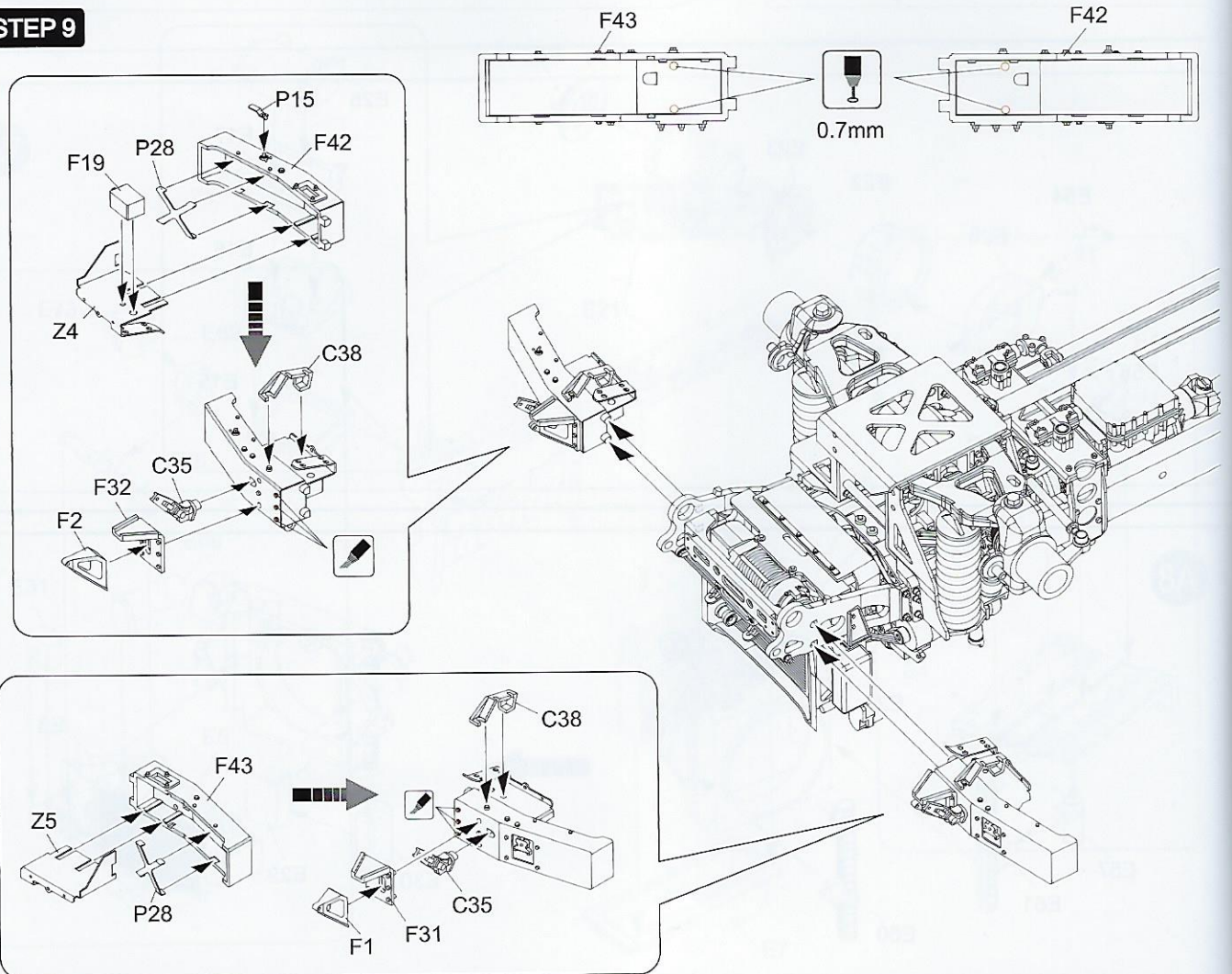
A8



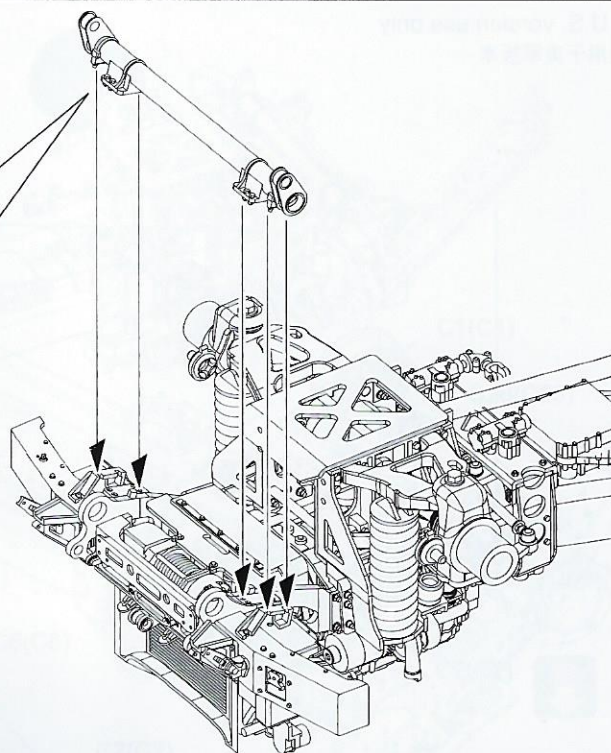
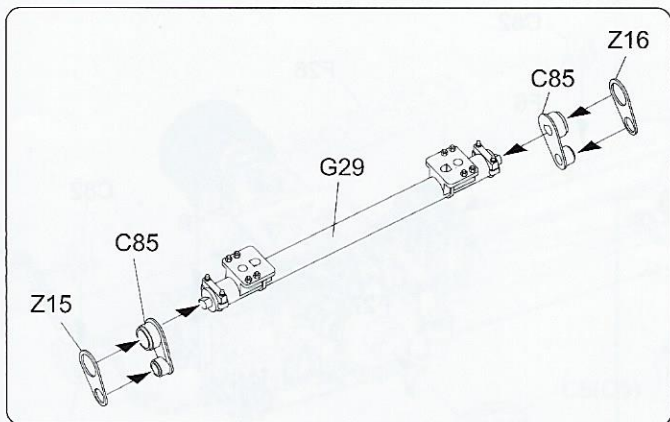
STEP 8



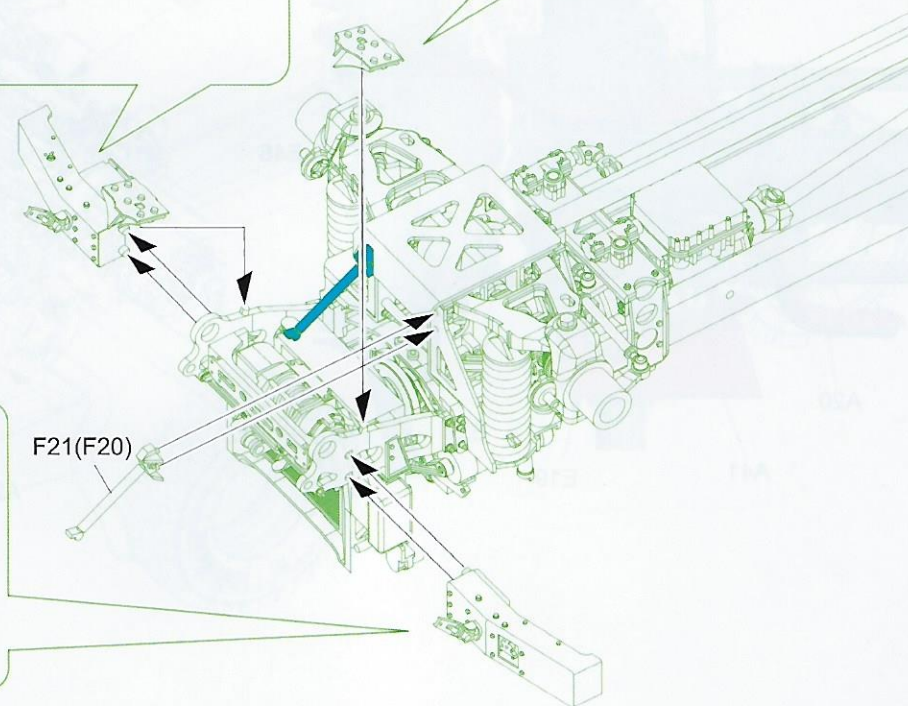
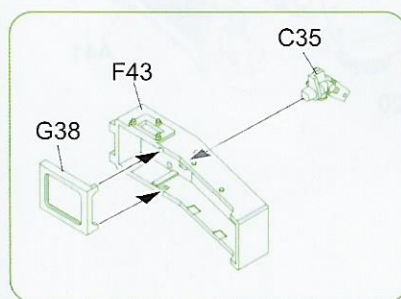
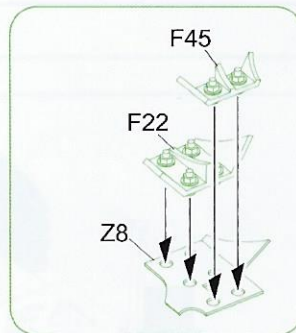
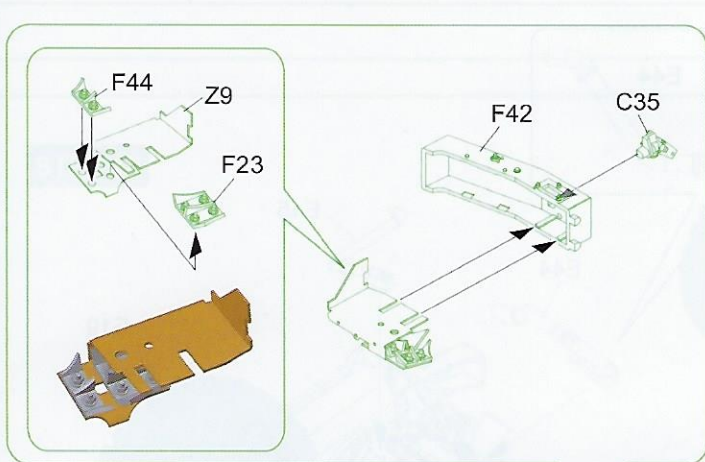
STEP 9

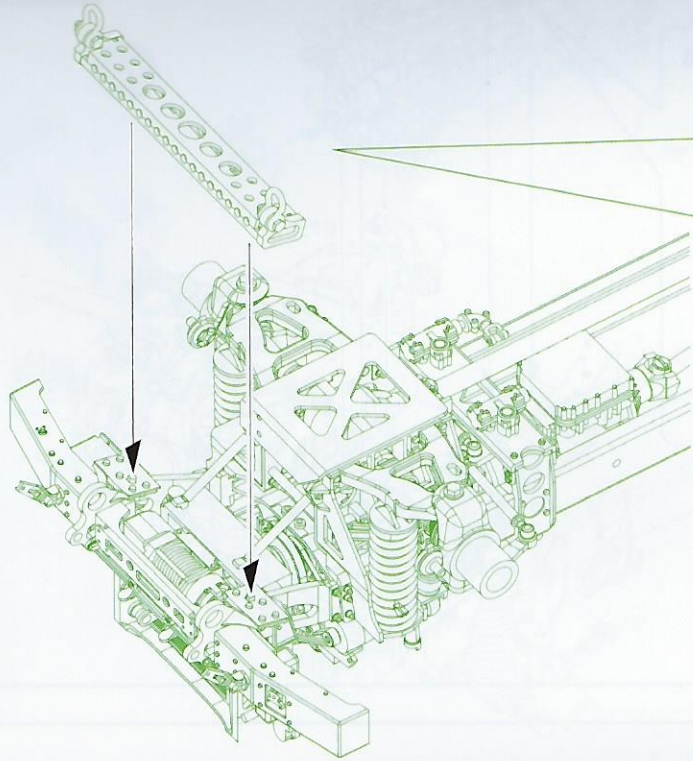


STEP 10

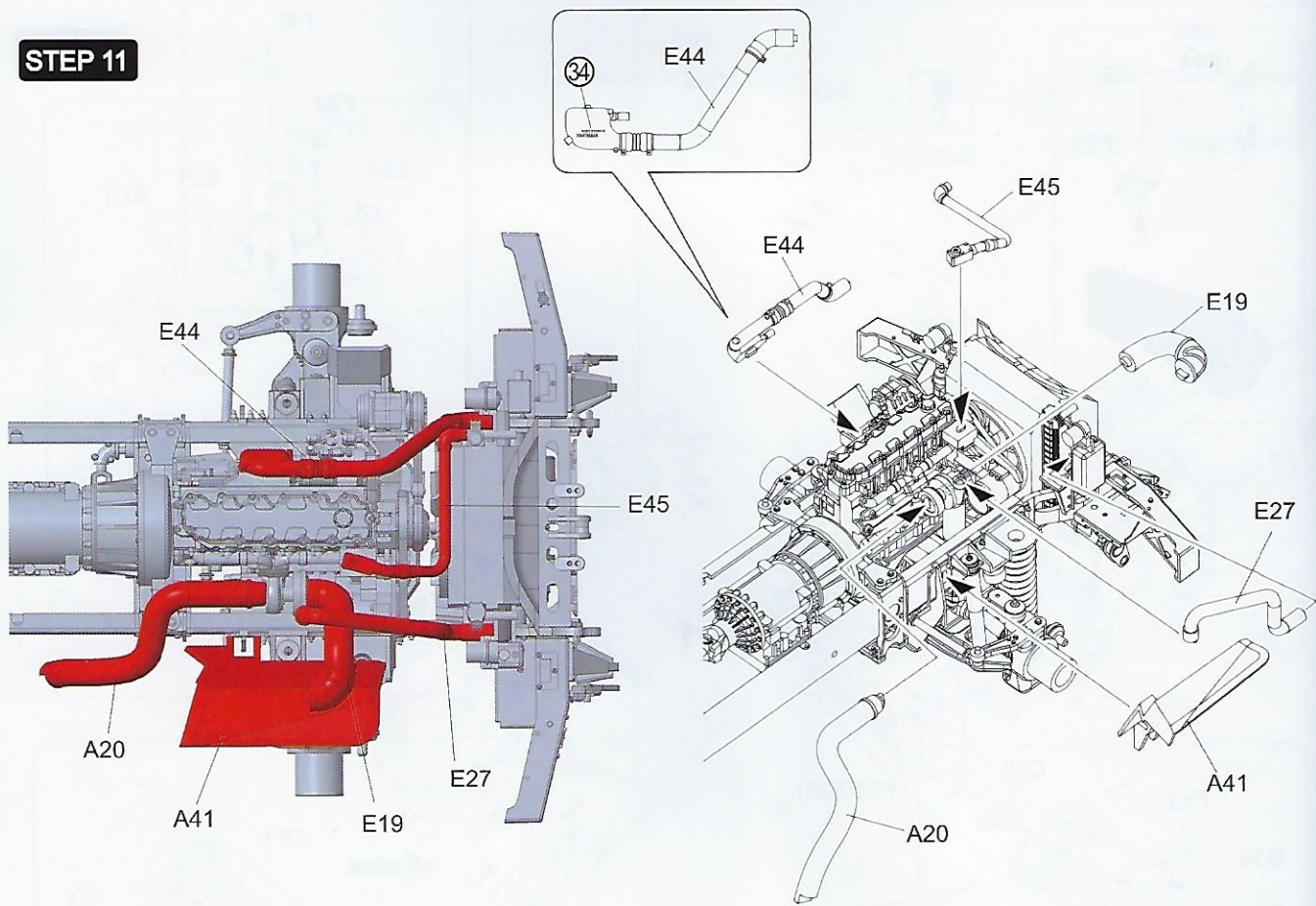


For U.S. version use only
只适用于美军版本

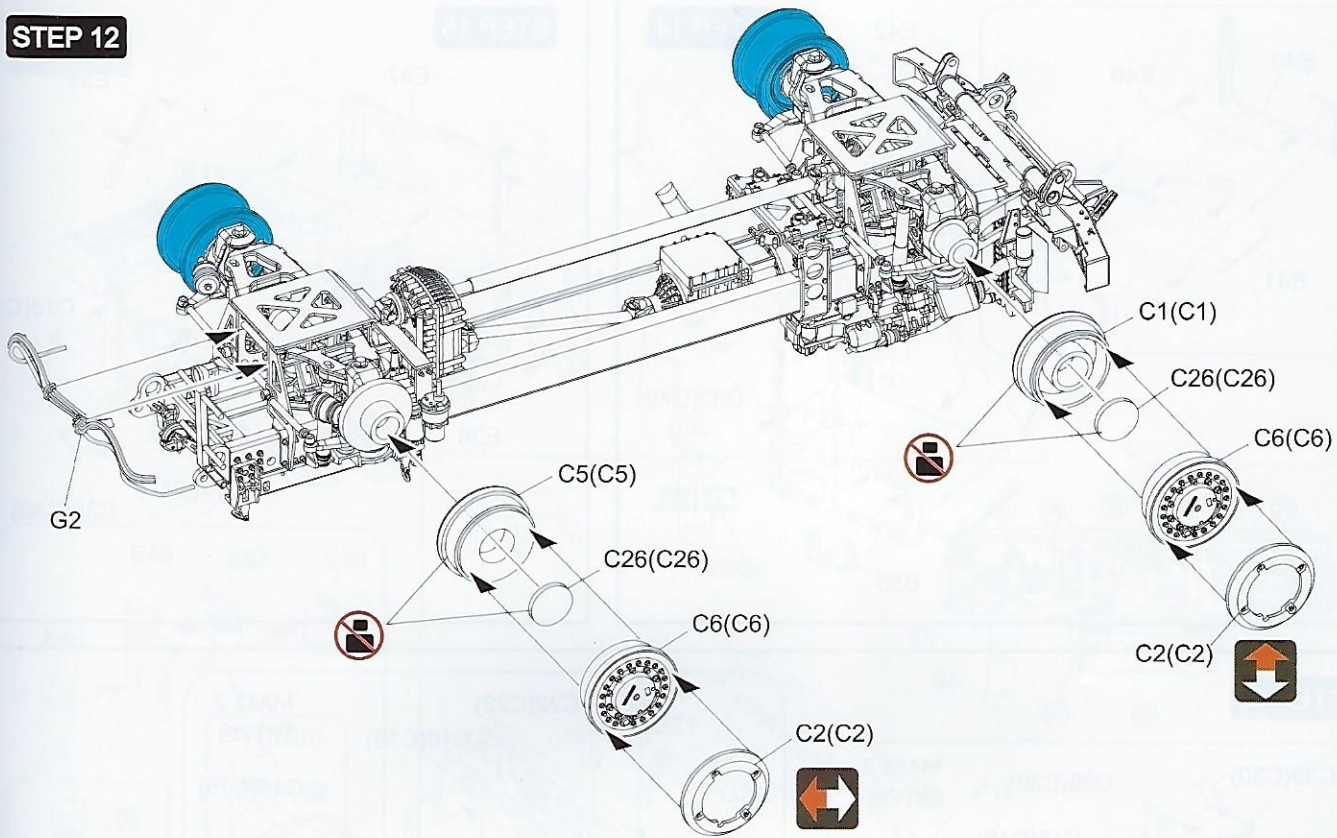




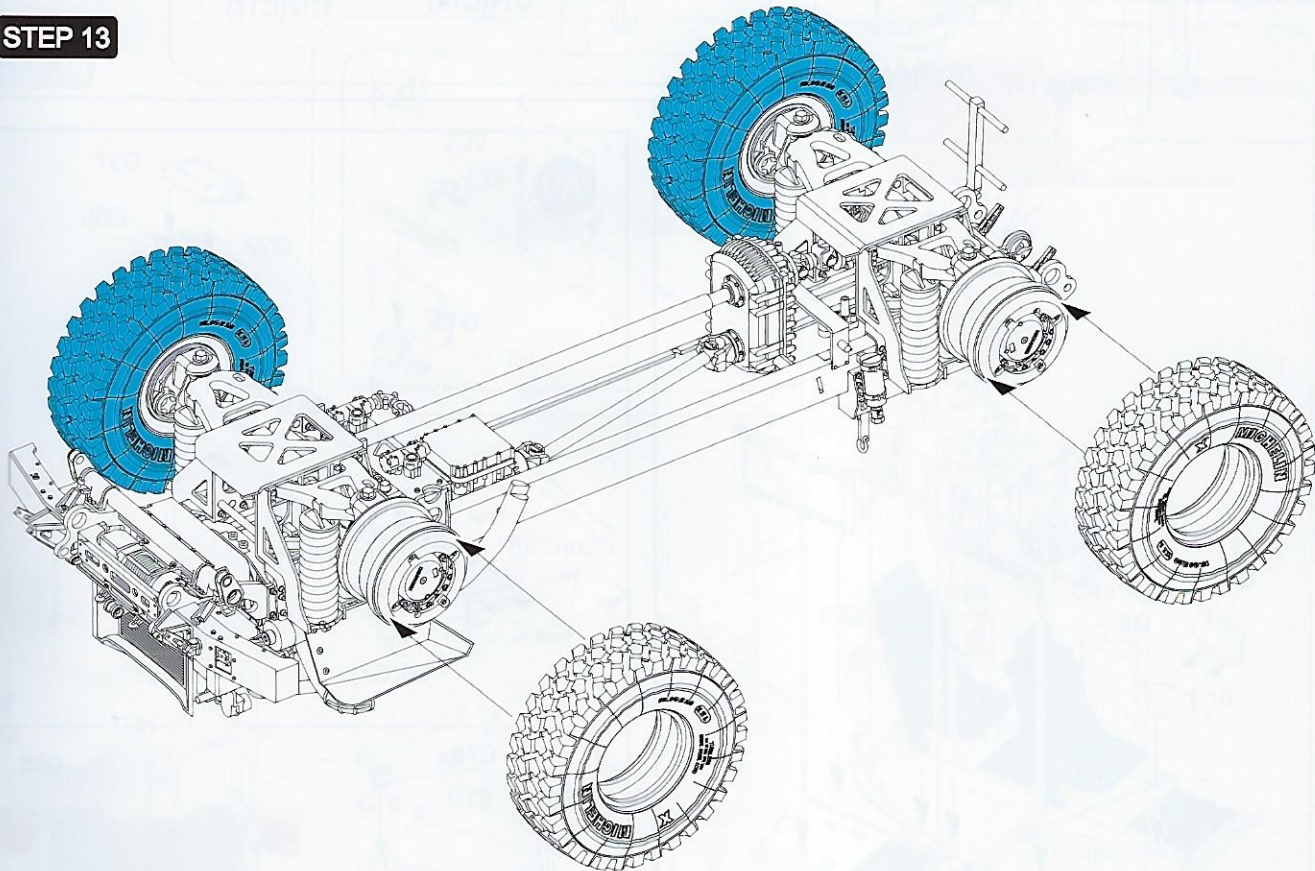
STEP 11

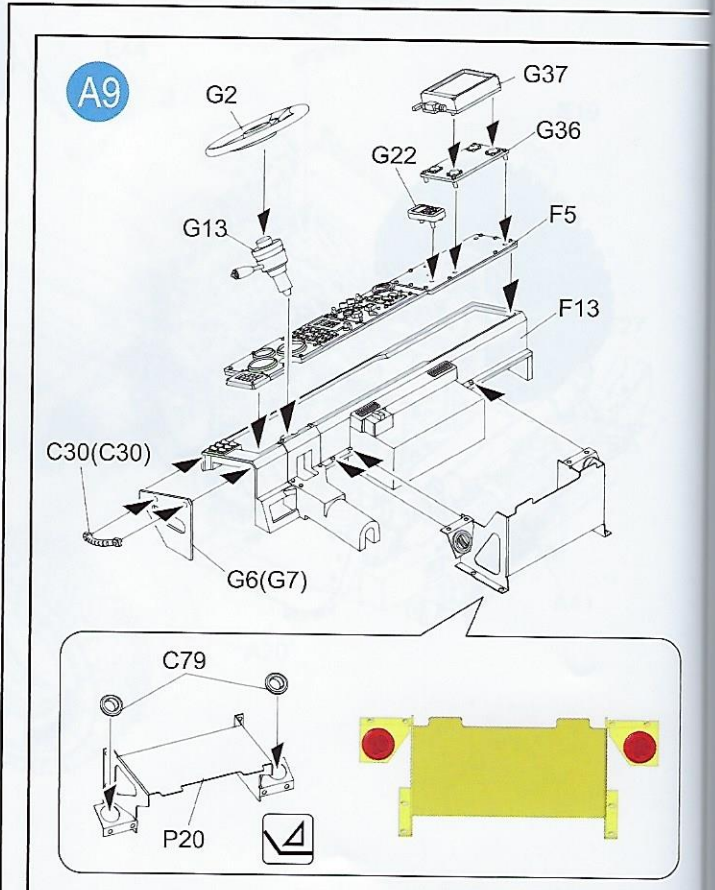
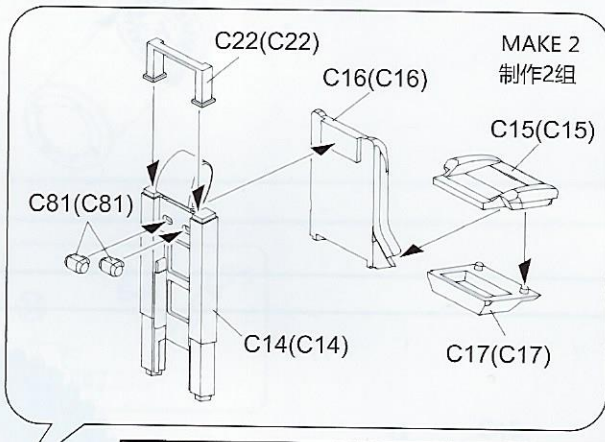
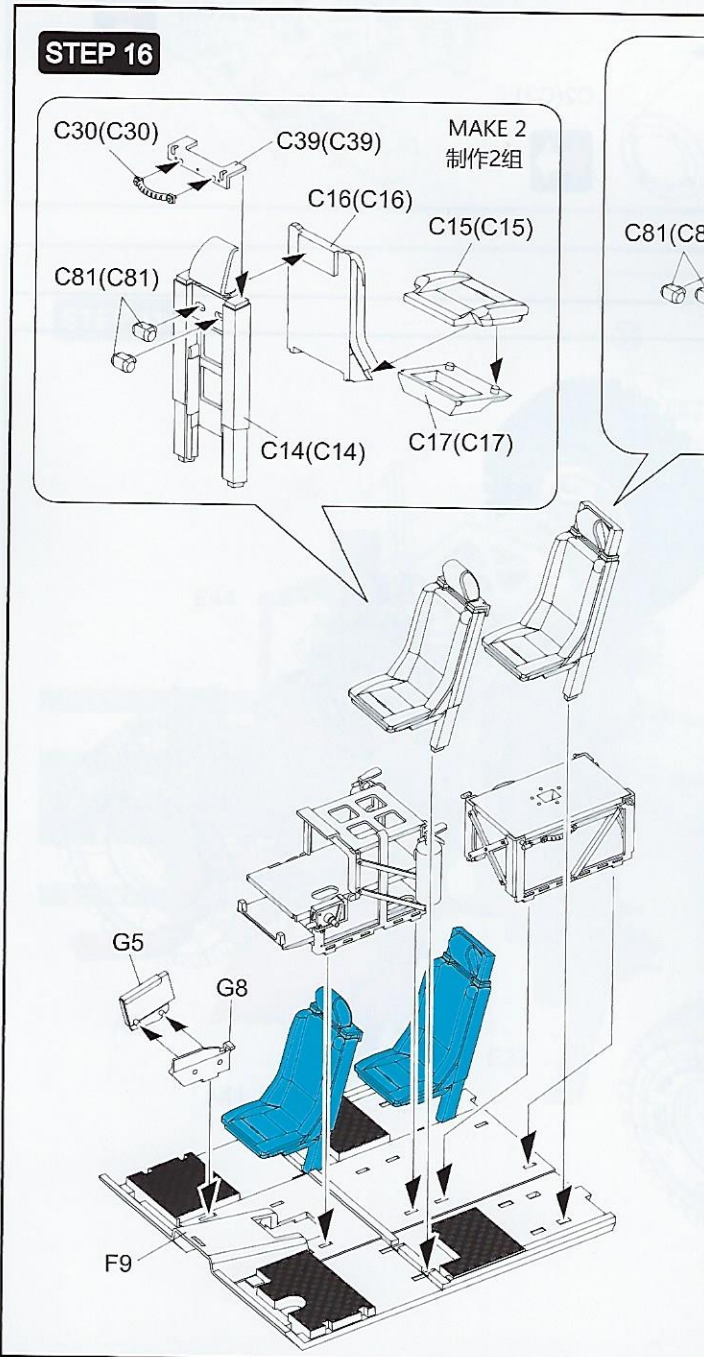
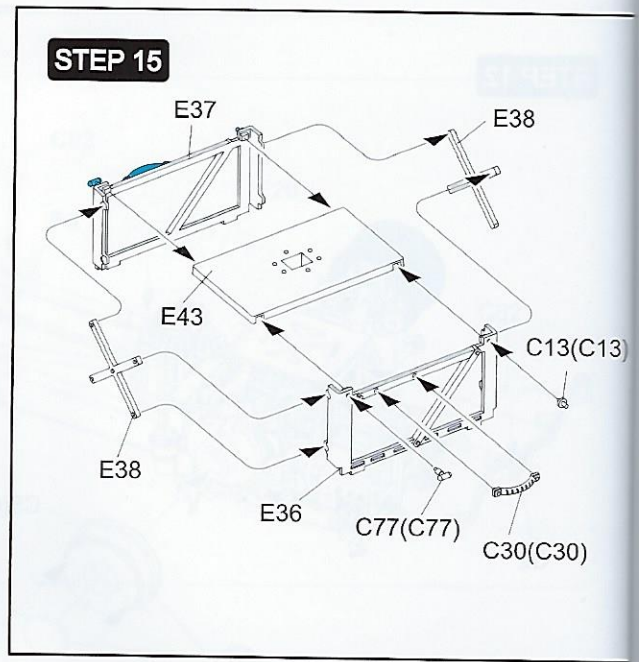
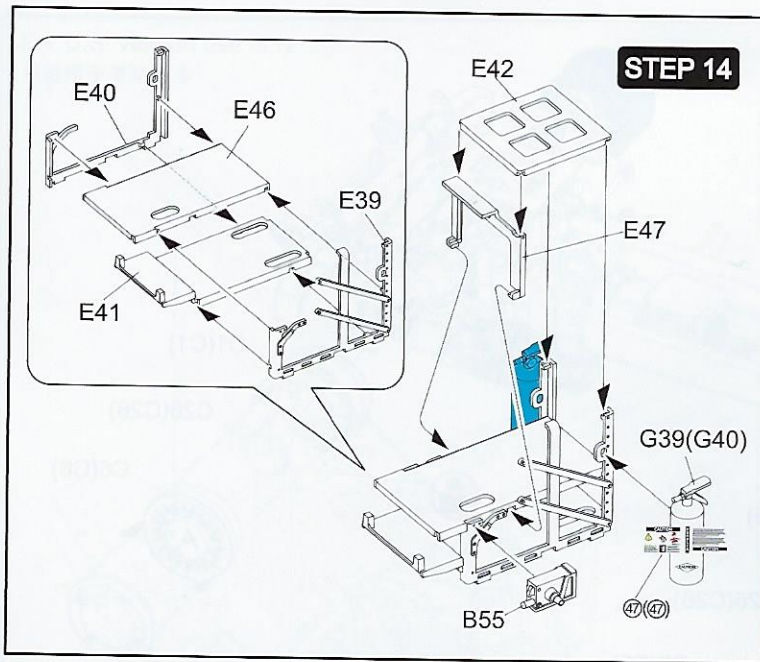


STEP 12

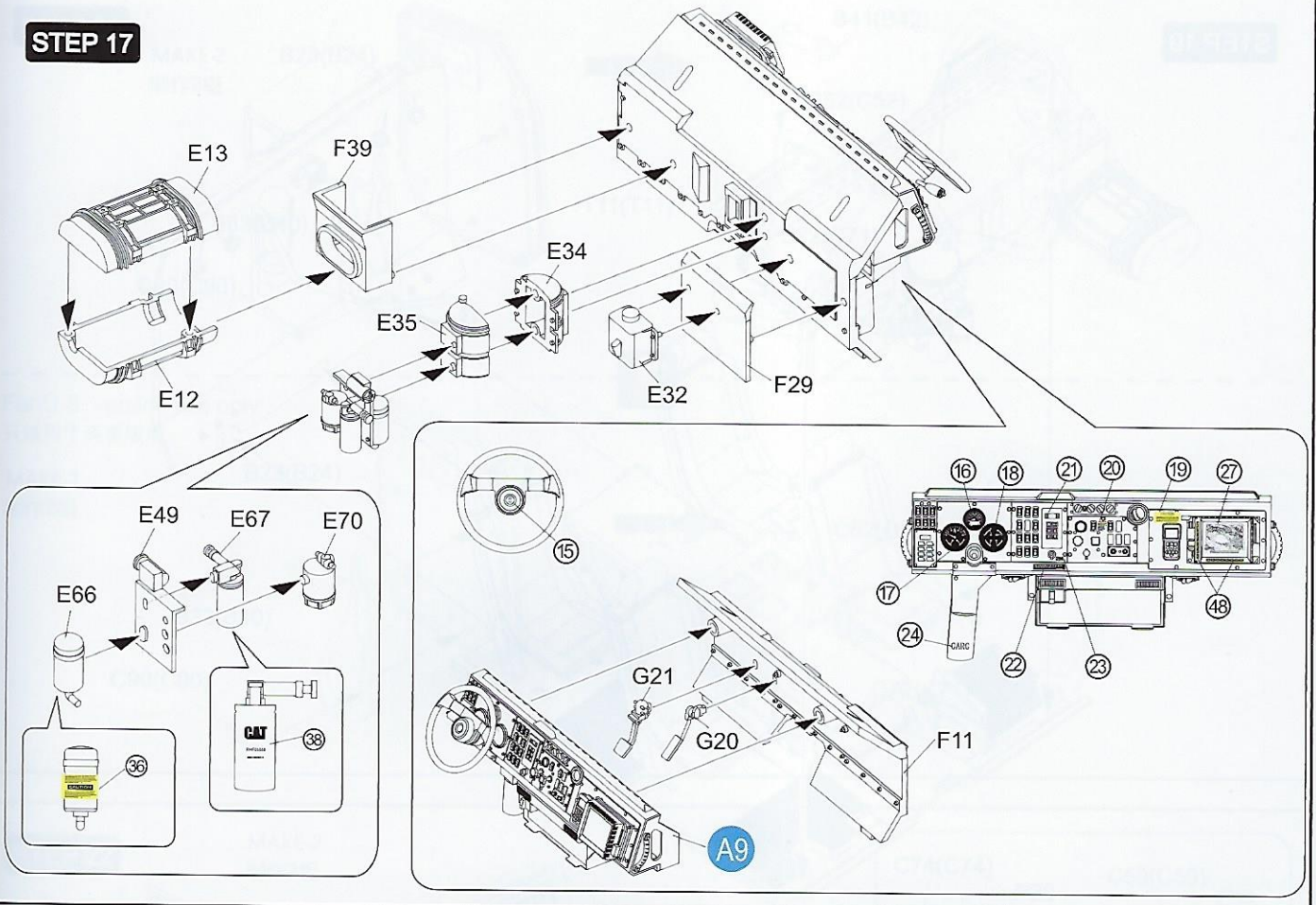


STEP 13

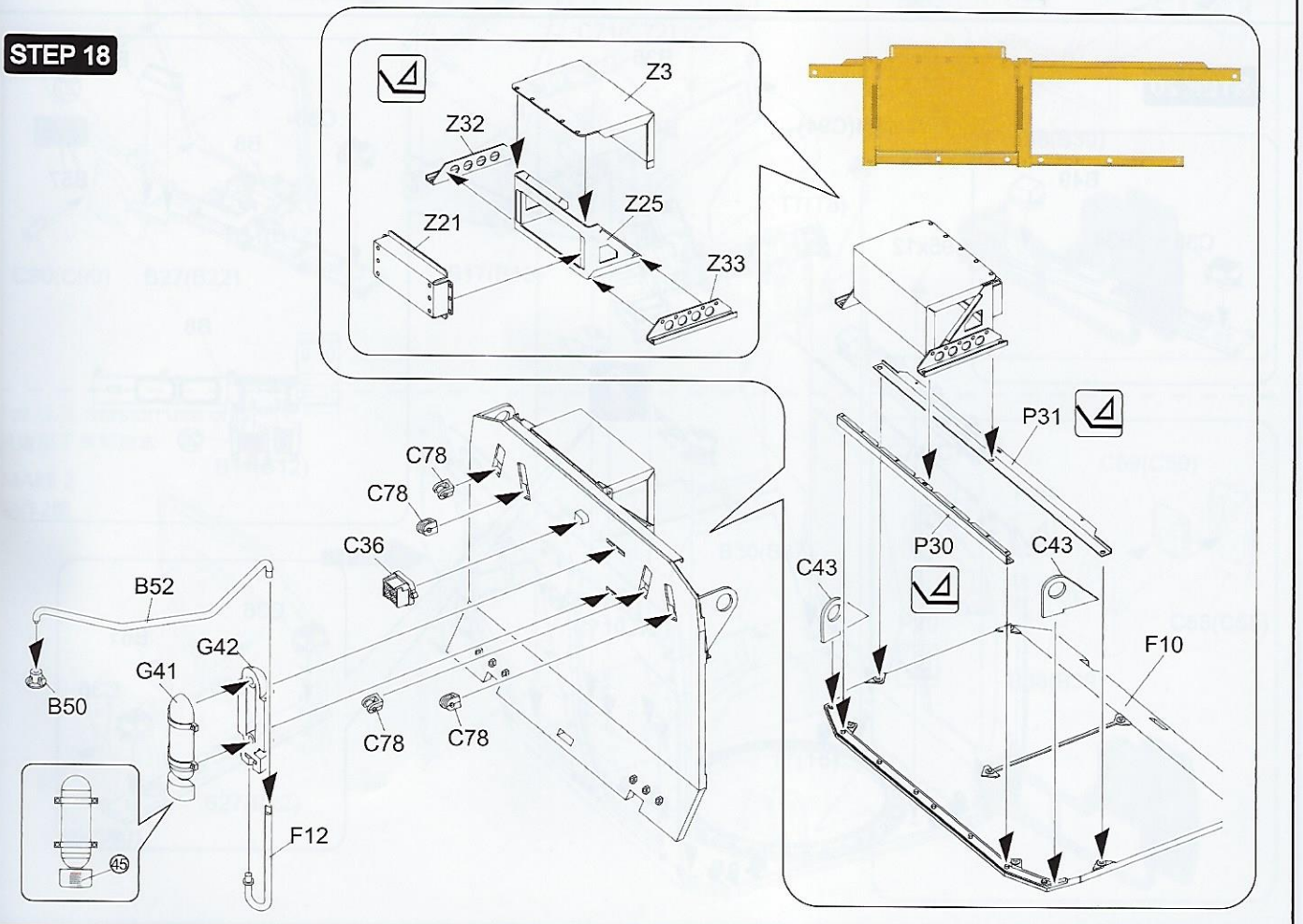




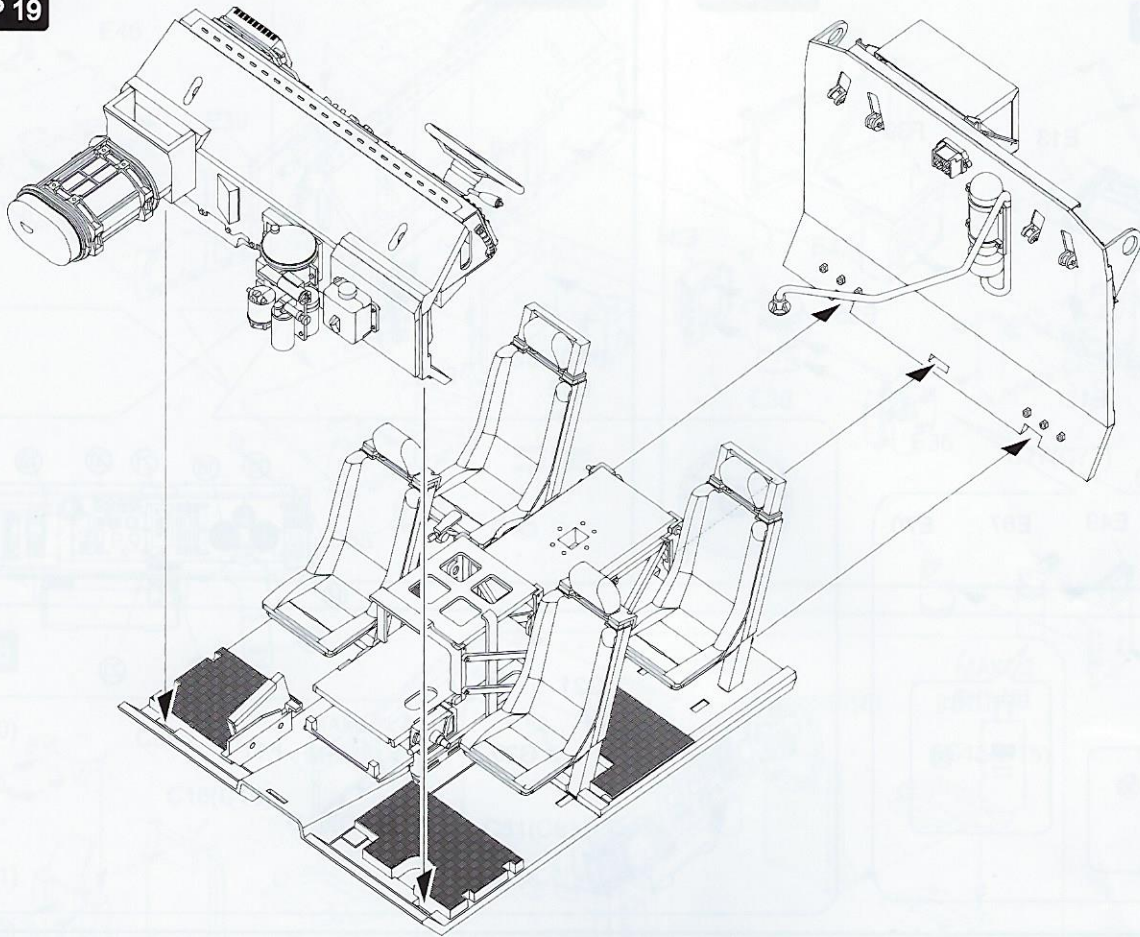
STEP 17



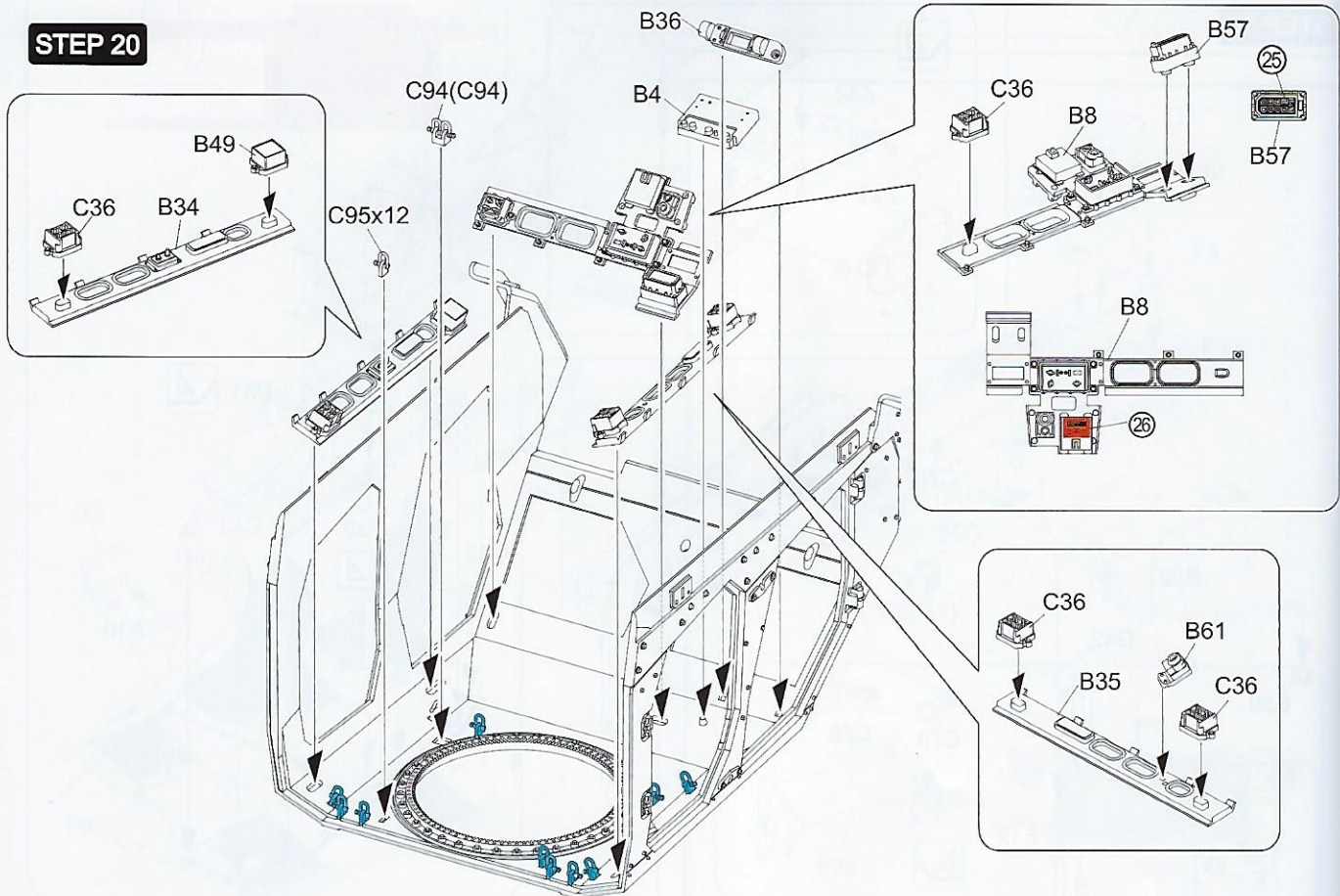
STEP 18



STEP 19

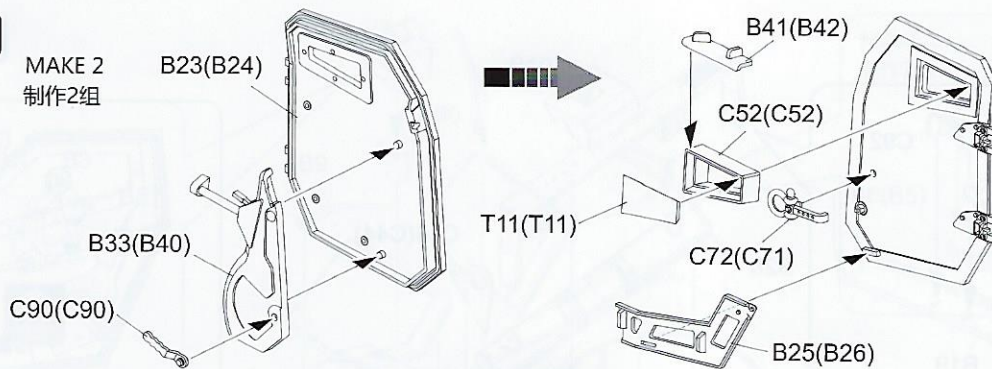


STEP 20



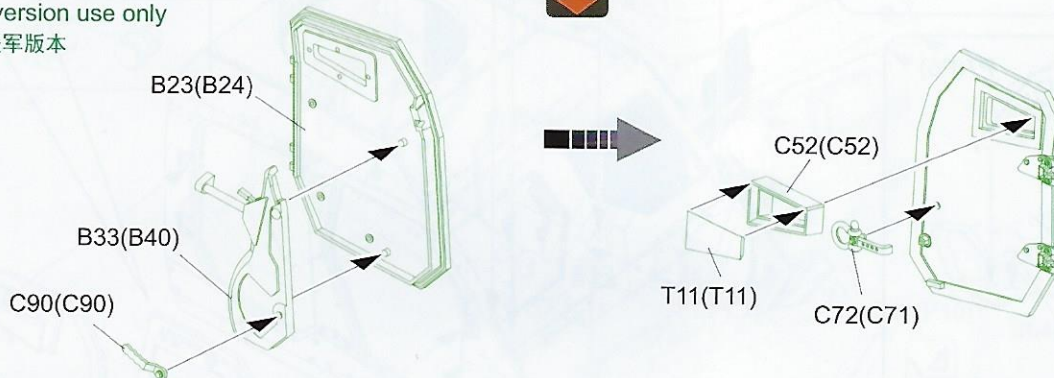
STEP 21

MAKE 2
制作2组



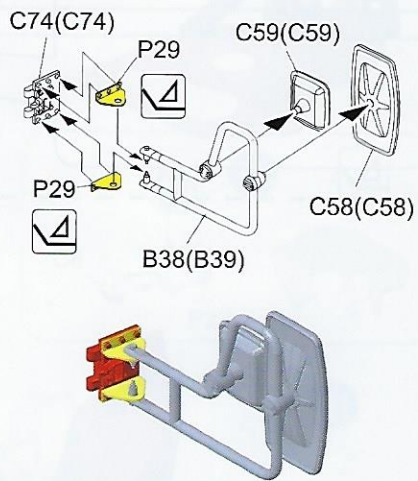
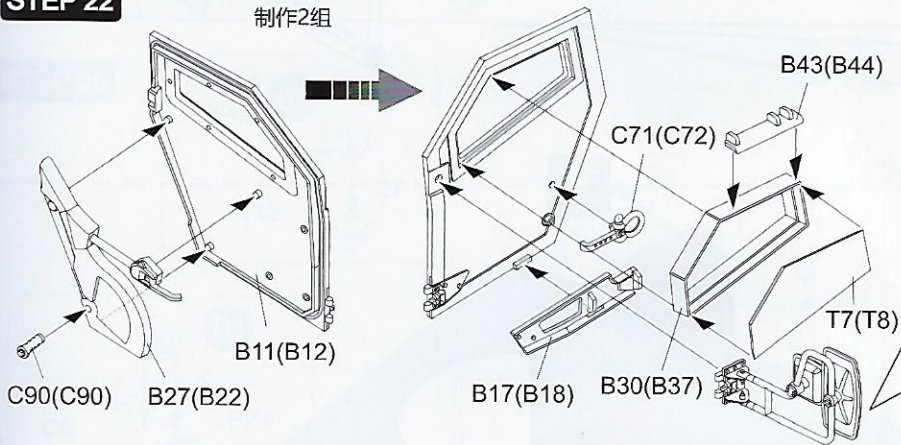
For U.S. version use only
只适用于美军版本

MAKE 2
制作2组



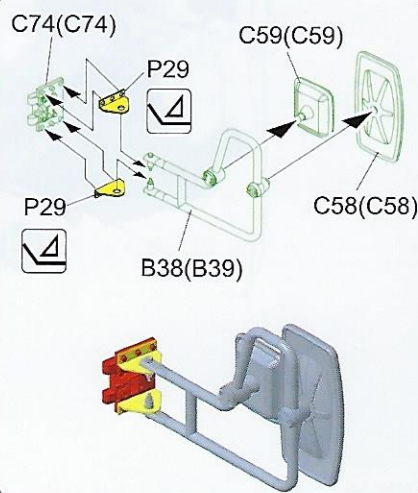
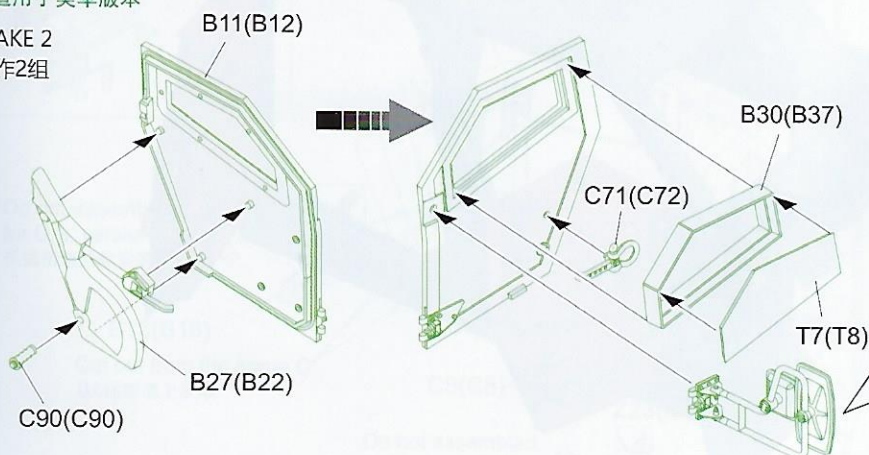
STEP 22

MAKE 2
制作2组

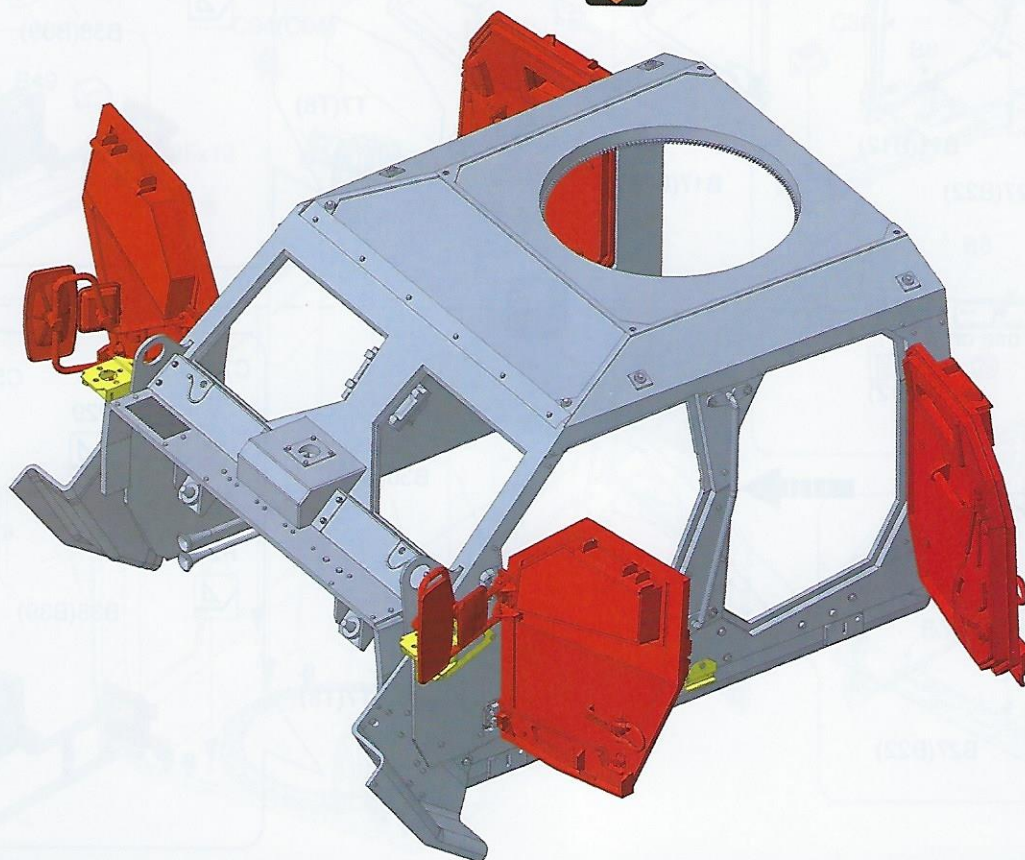
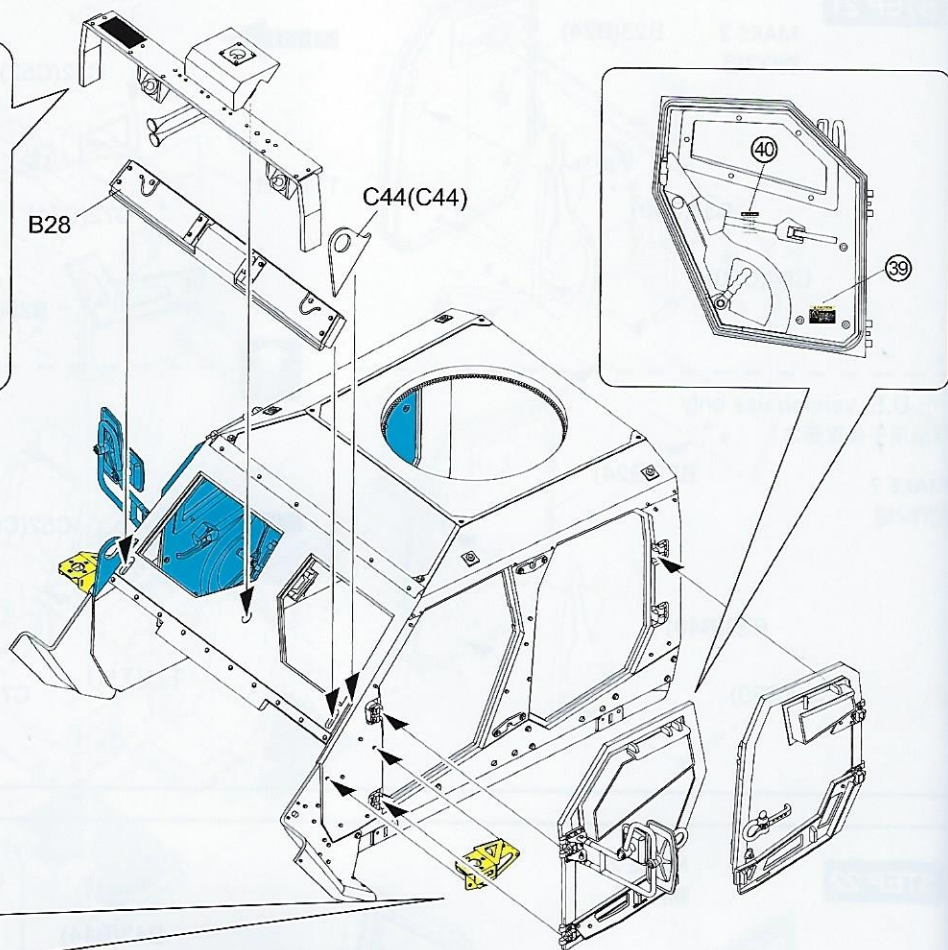
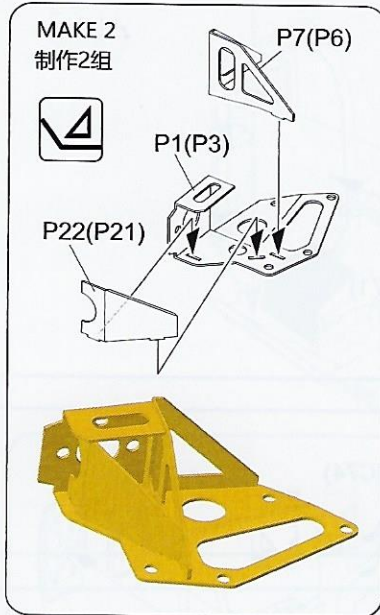
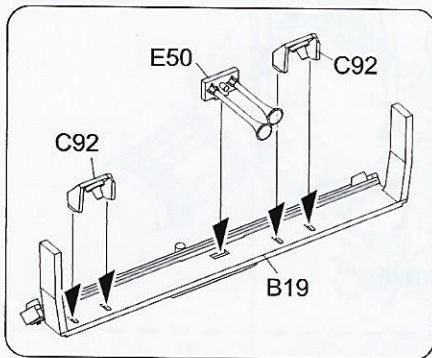


For U.S. version use only
只适用于美军版本

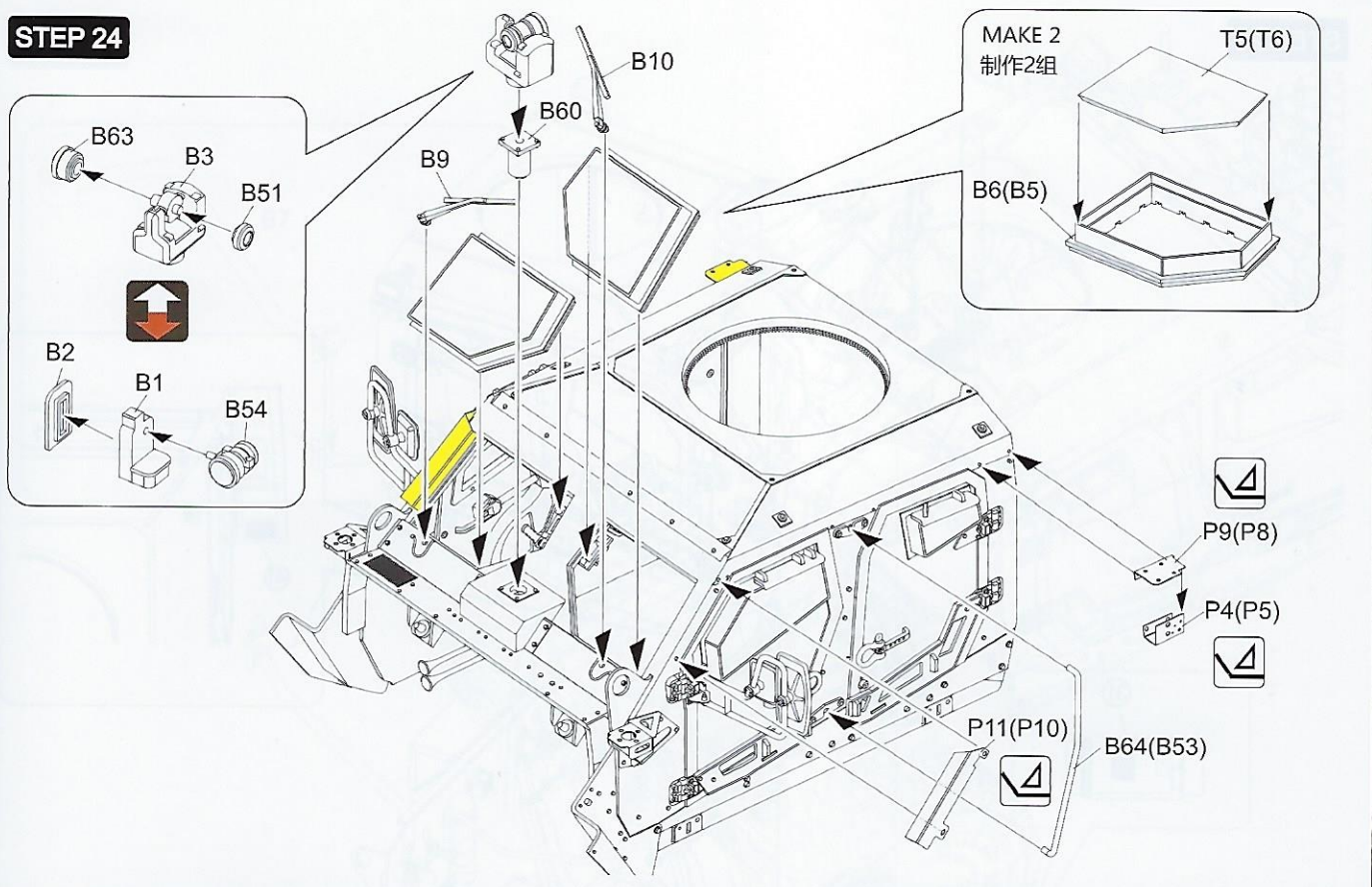
MAKE 2
制作2组



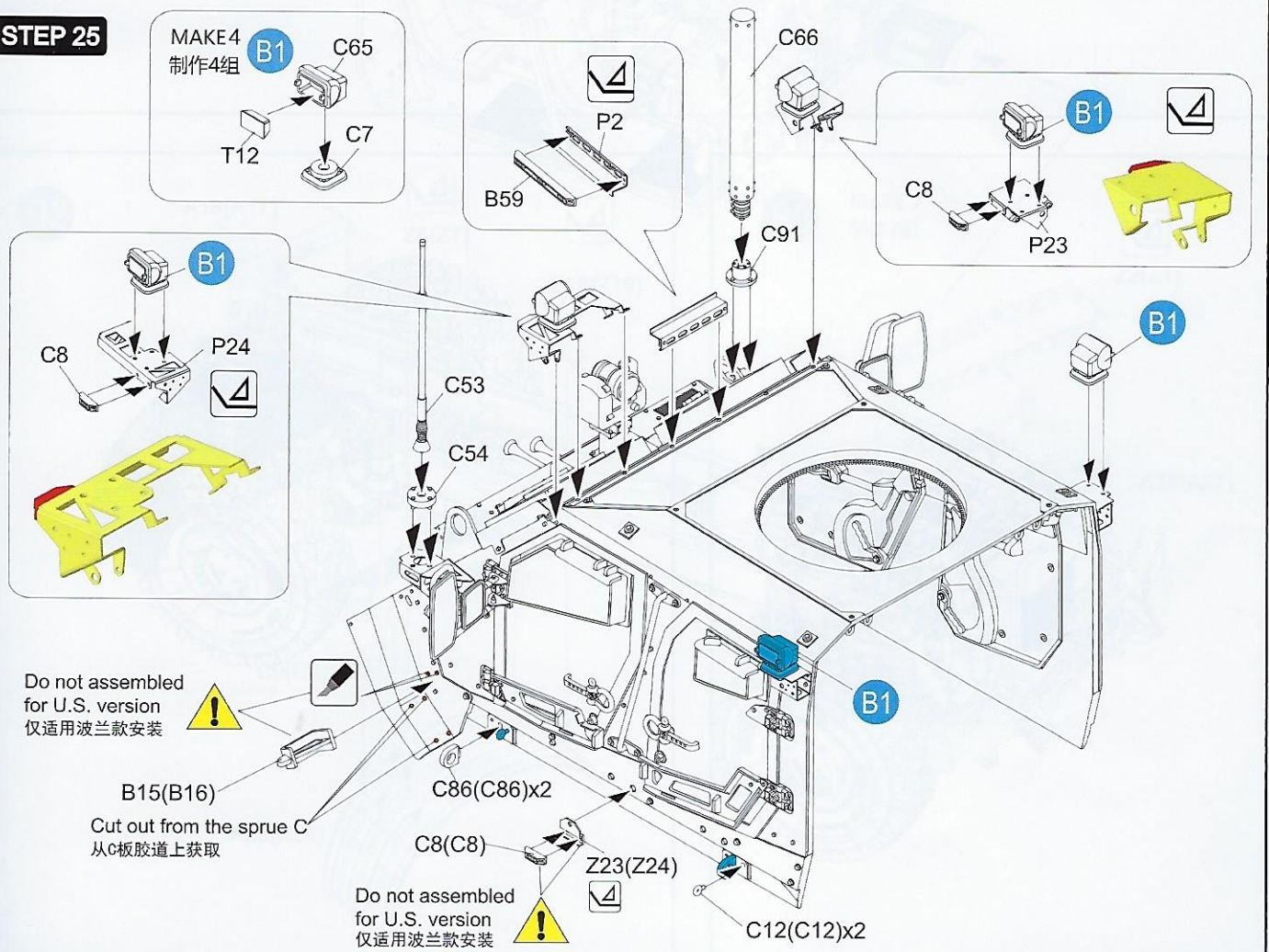
STEP 23



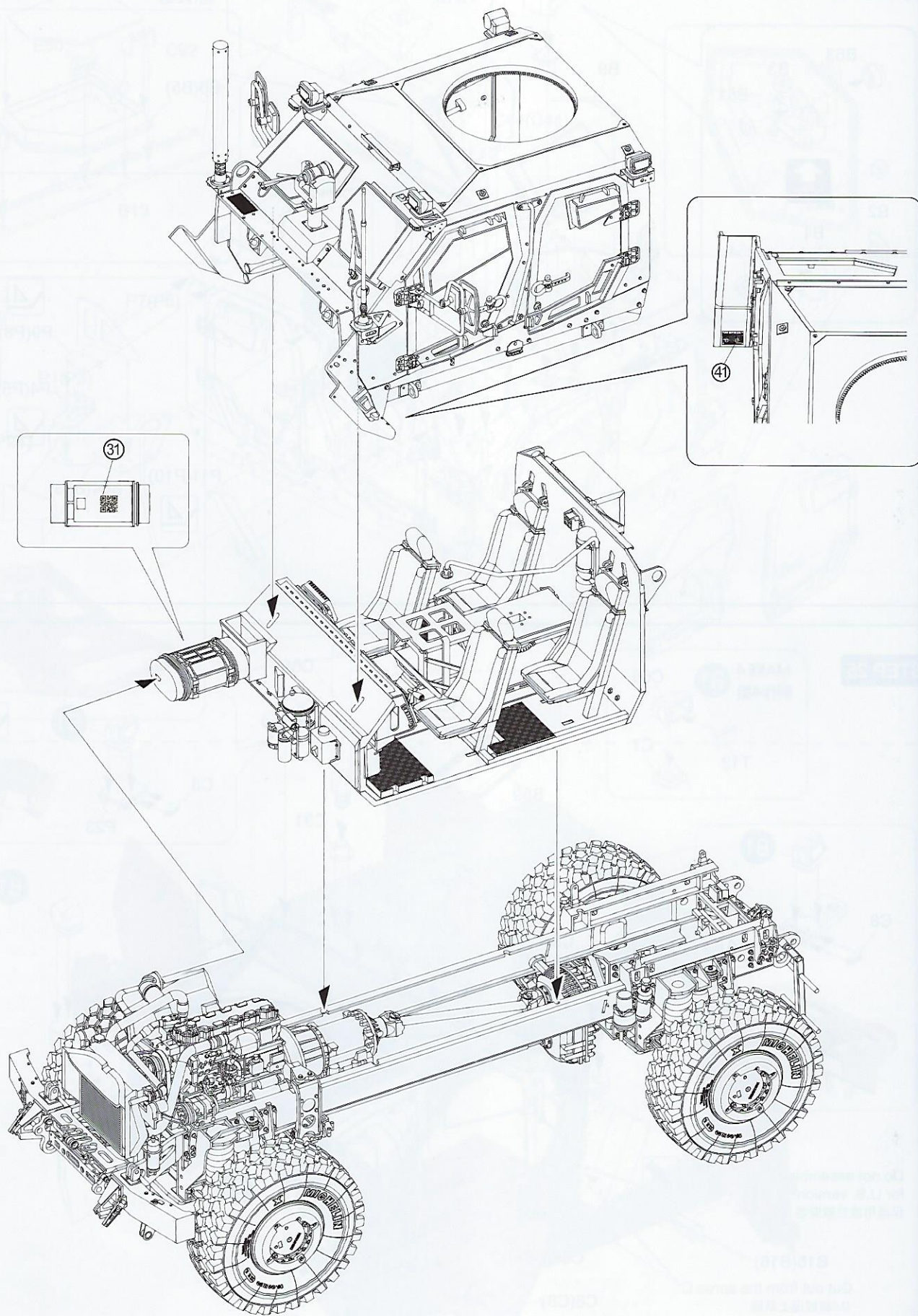
STEP 24



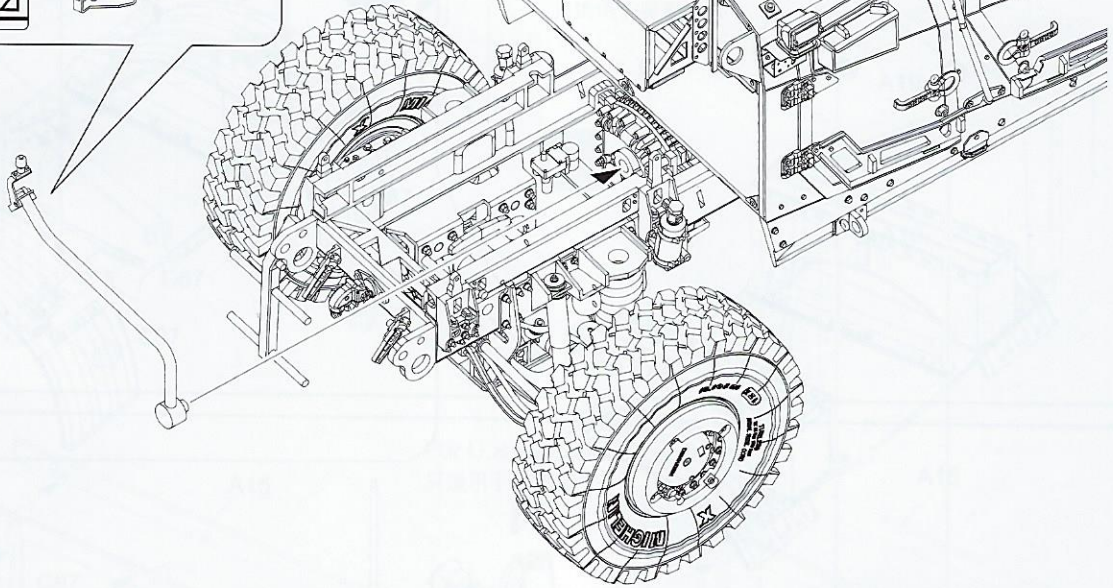
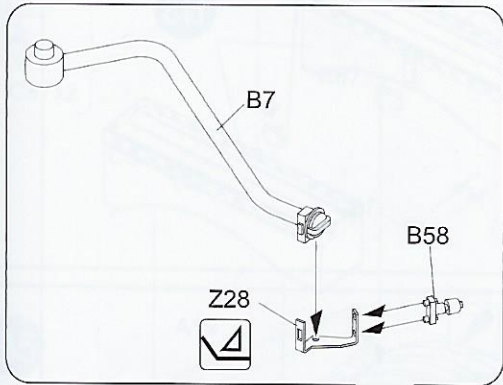
STEP 25



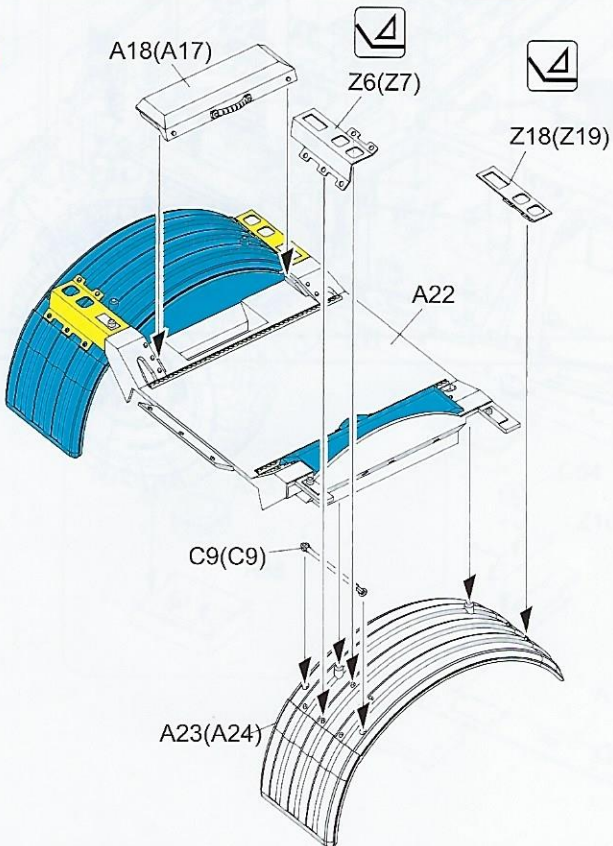
STEP 26



STEP 27

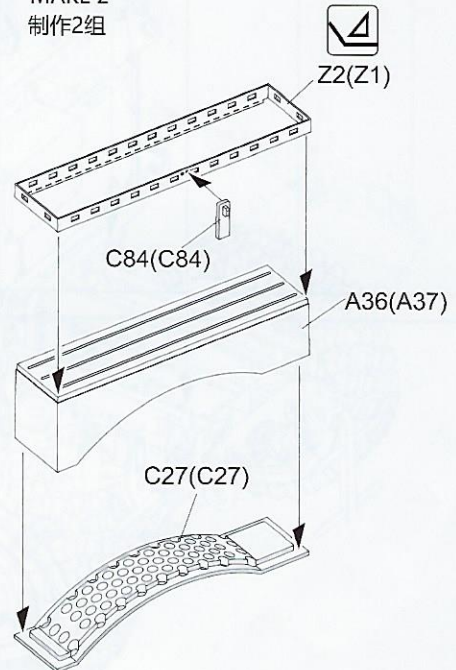


B2

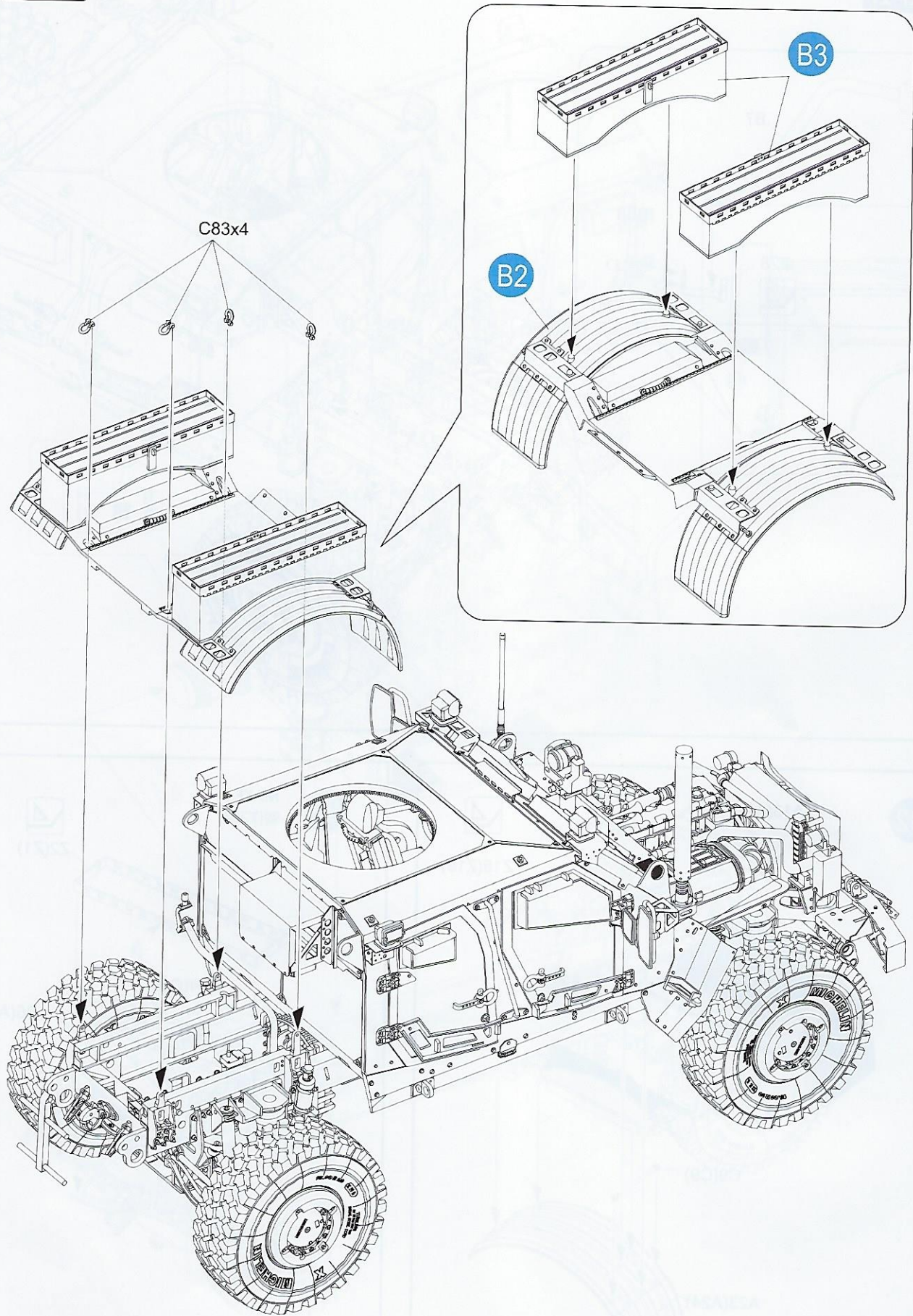


B3

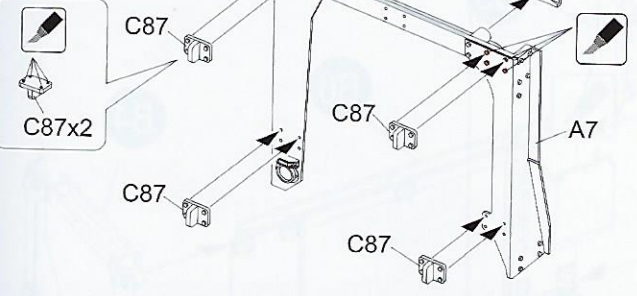
MAKE 2
制作2组



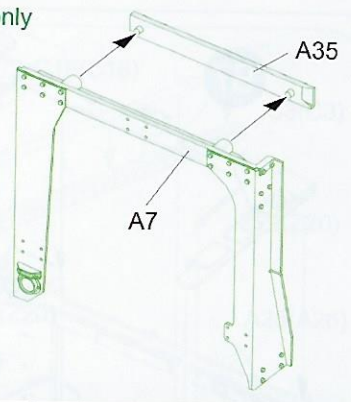
STEP 28



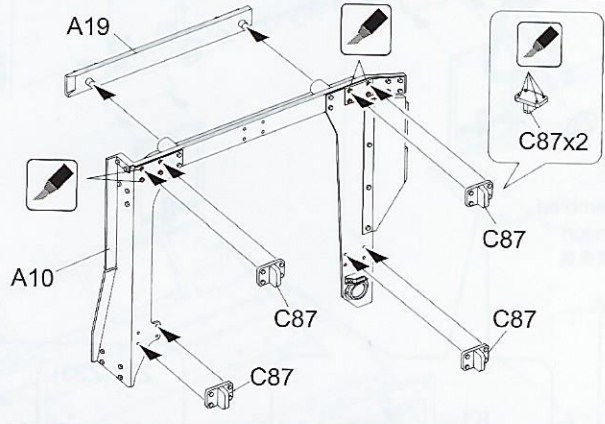
B4



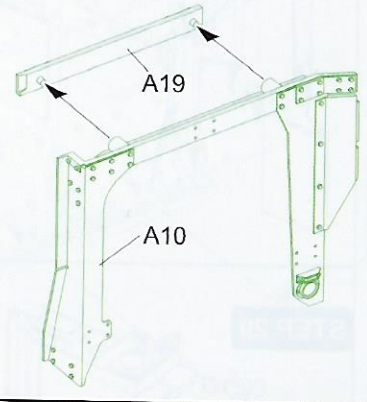
For U.S. version use only
只适用于美军版本



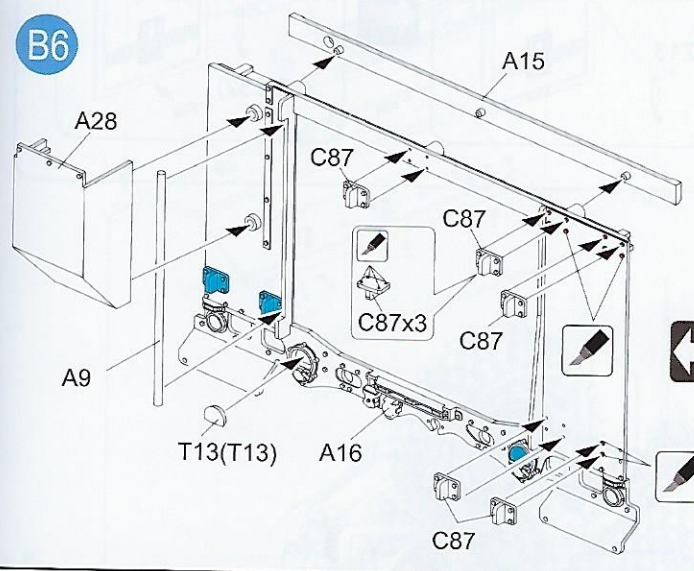
B5



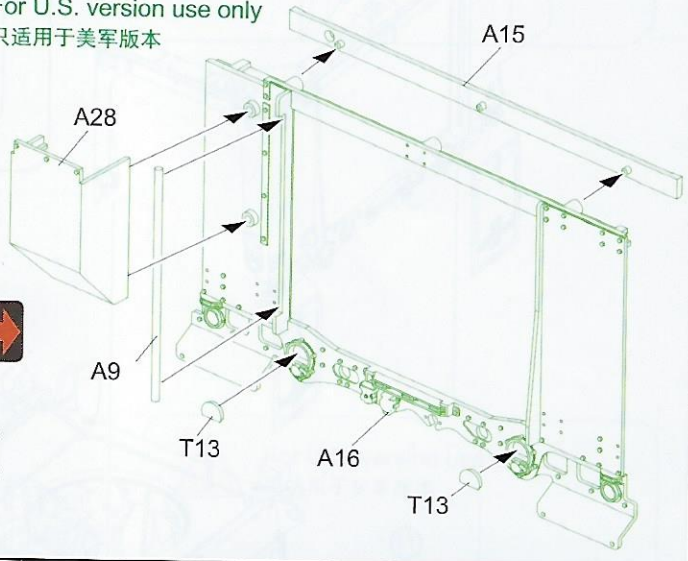
For U.S. version use only
只适用于美军版本



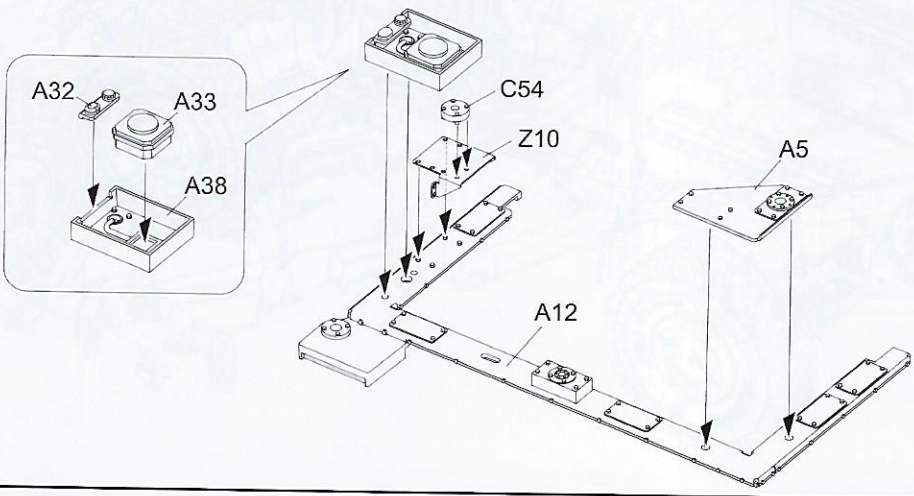
B6

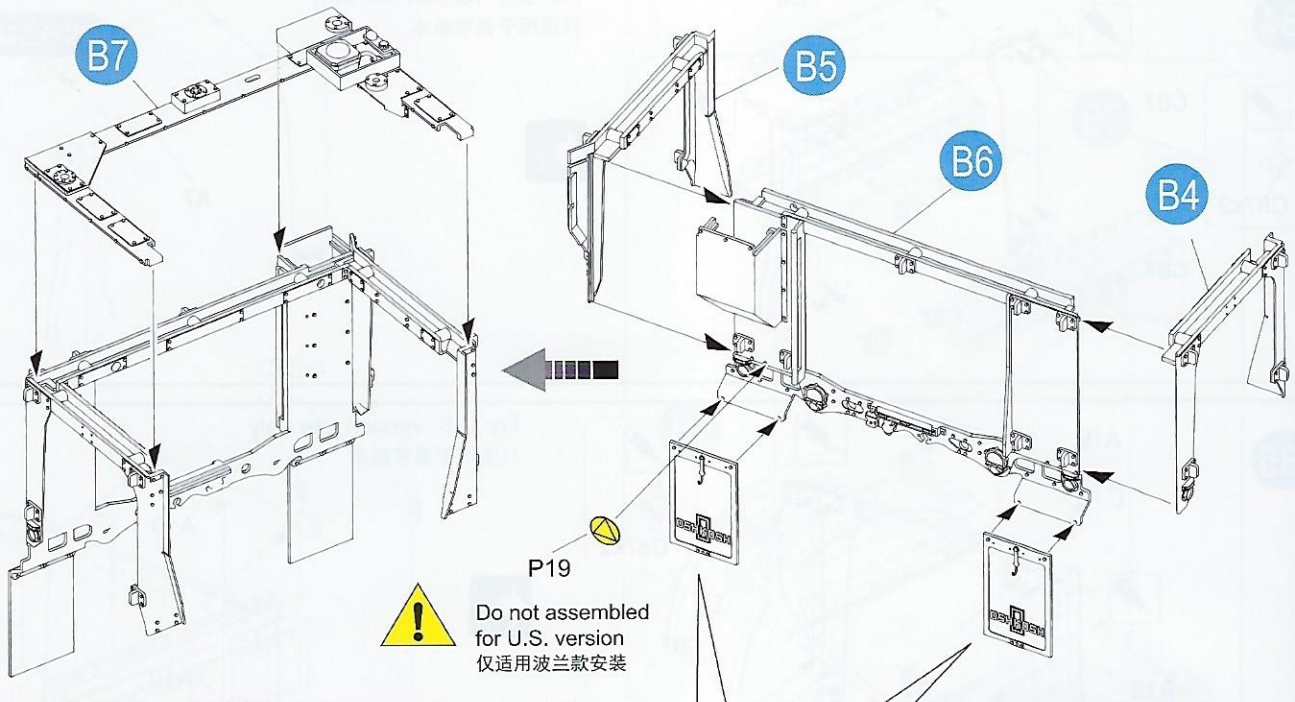


For U.S. version use only
只适用于美军版本

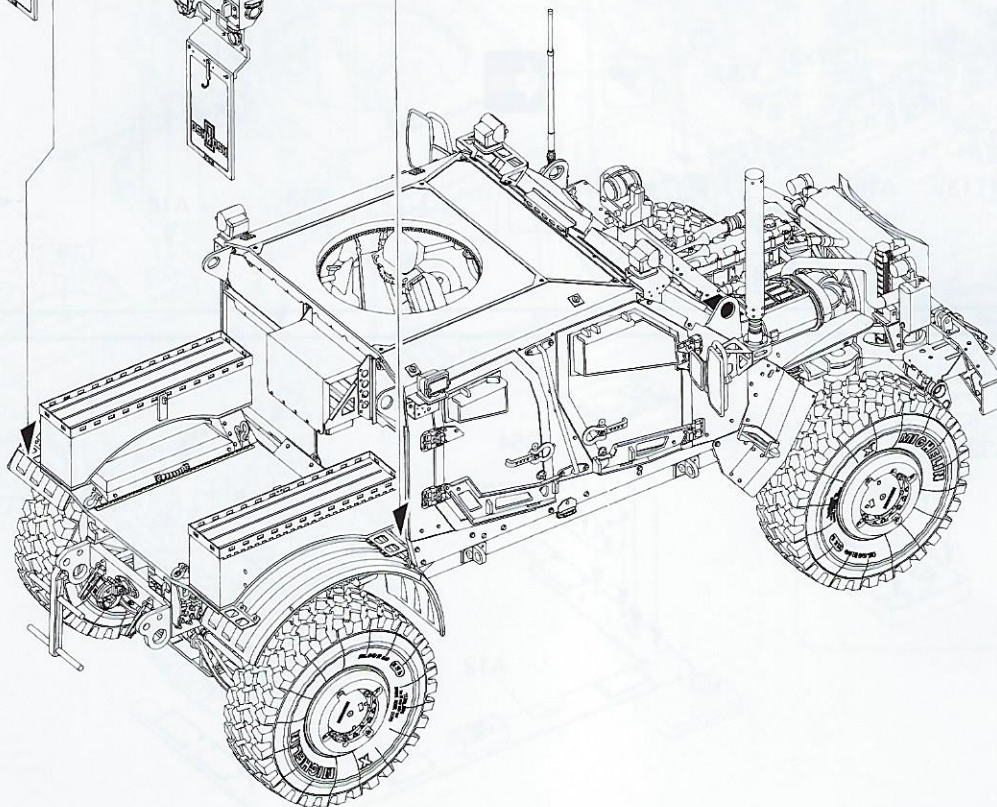
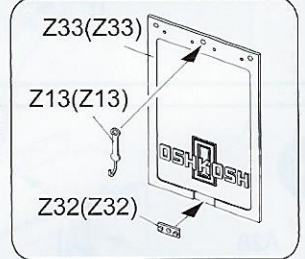
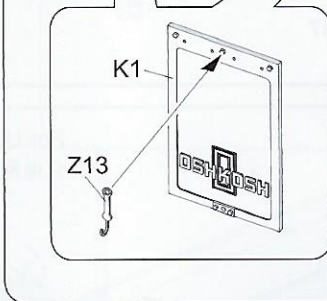
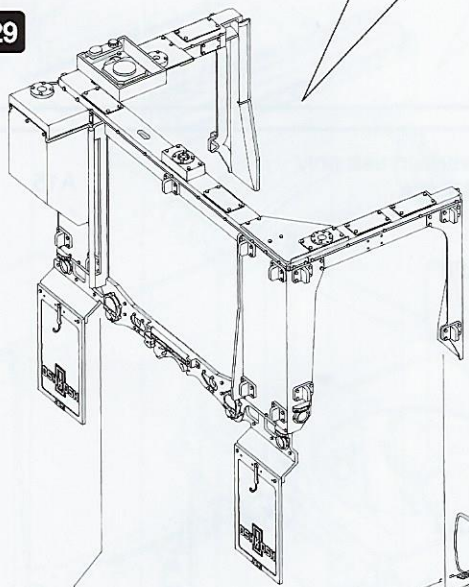


B7

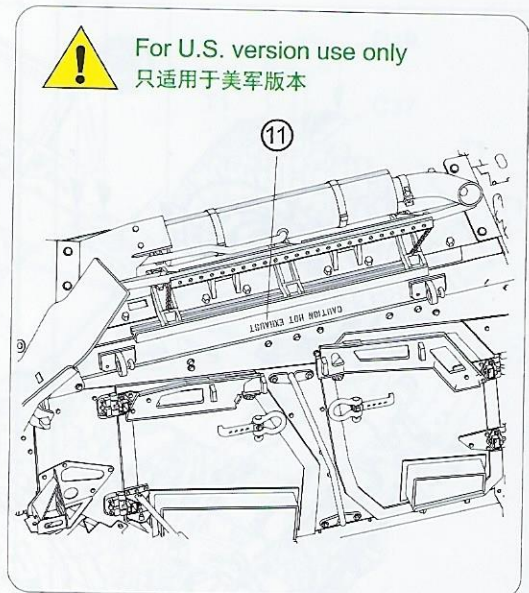
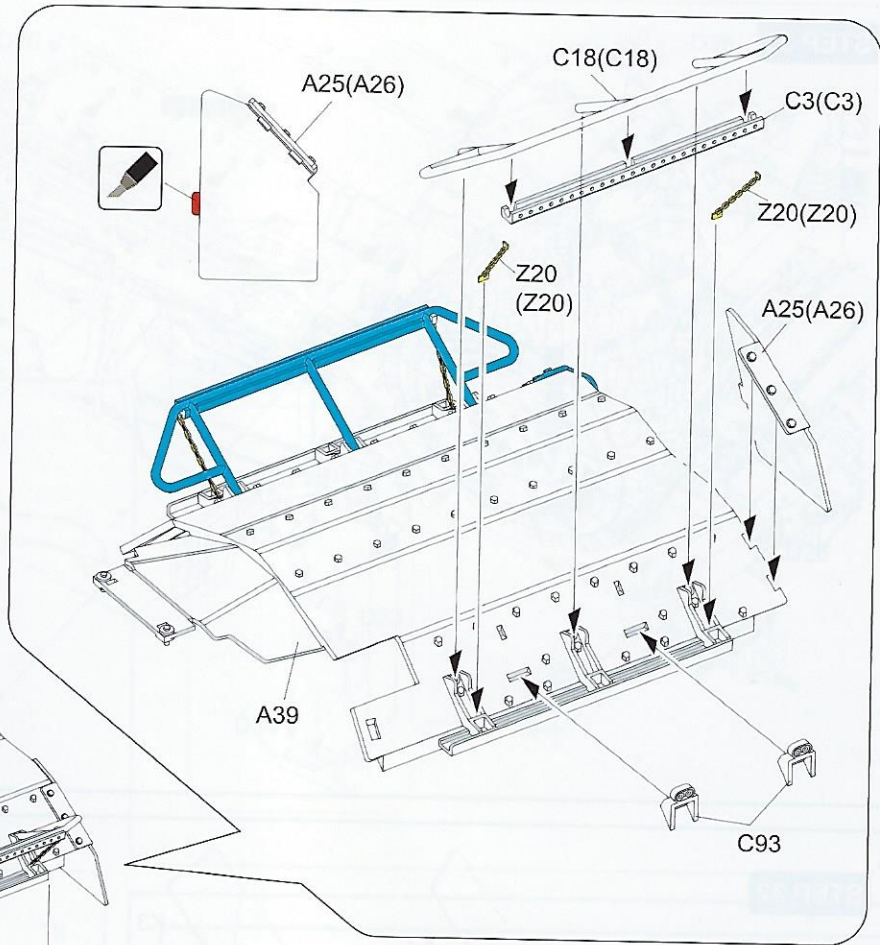
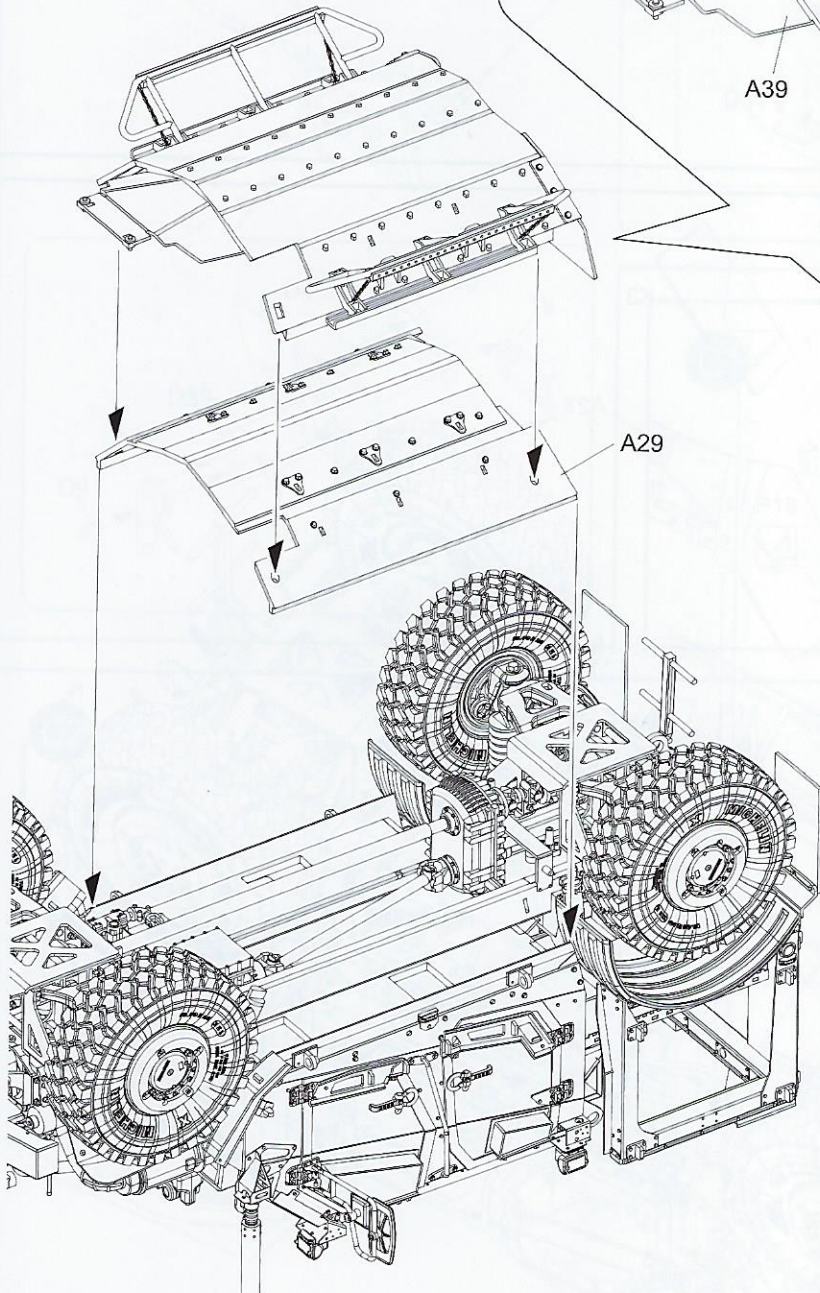




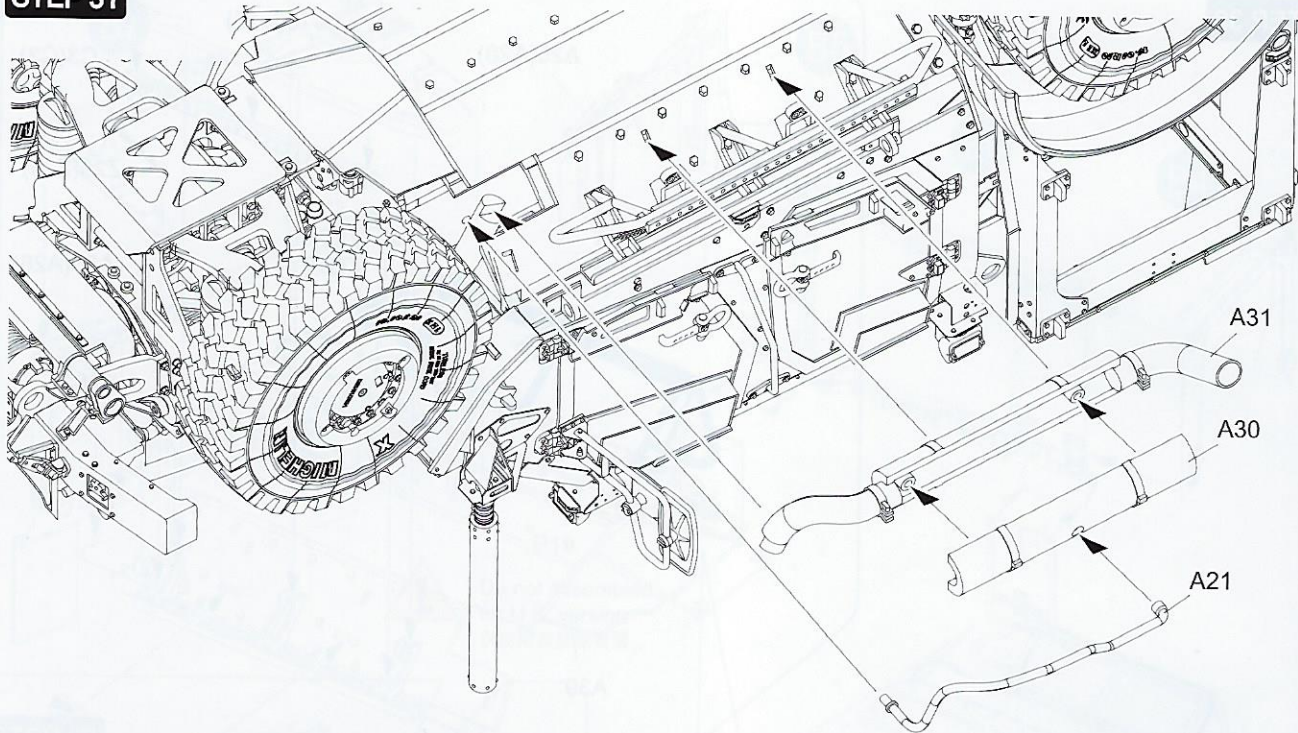
STEP 29



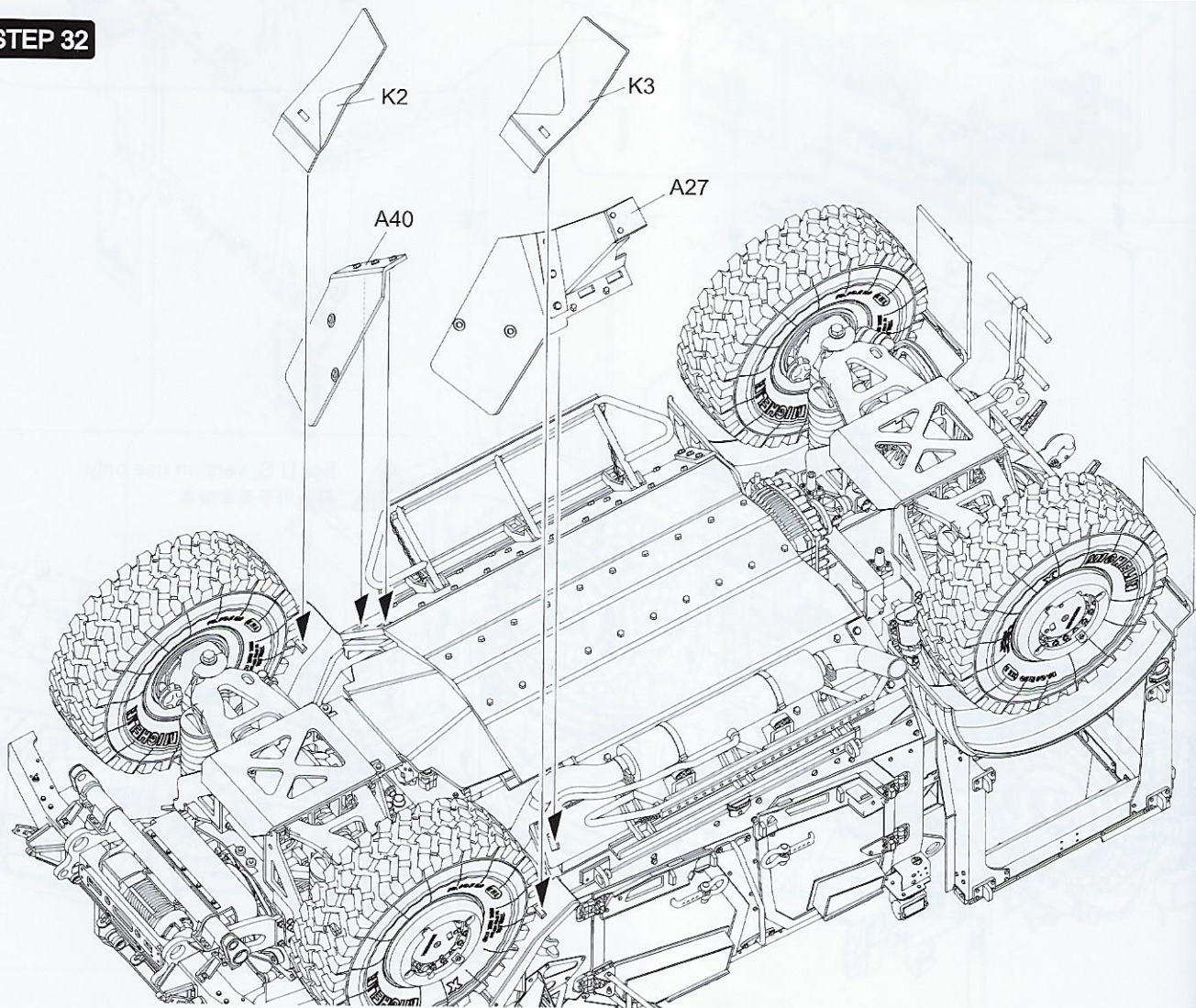
STEP 30

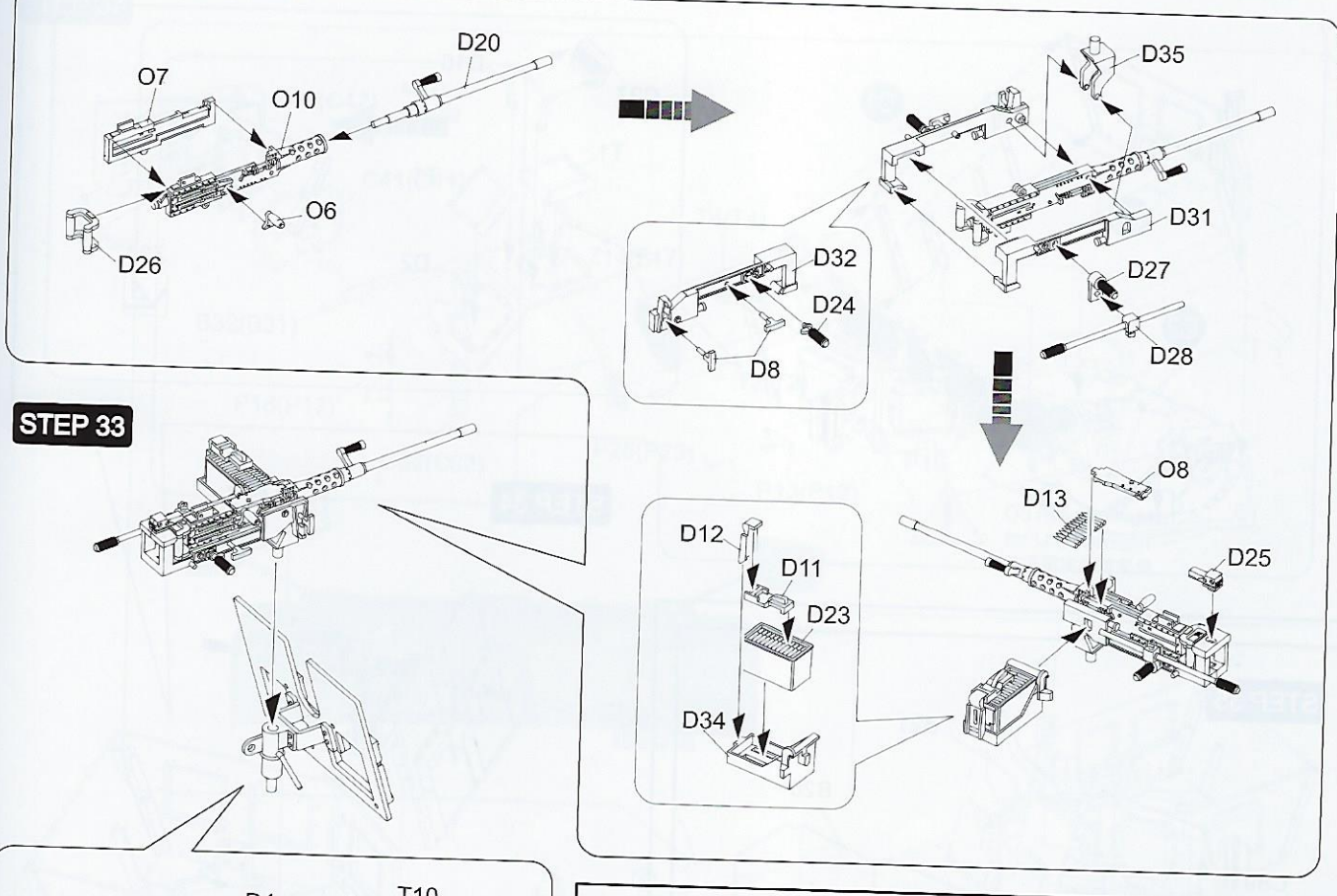


STEP 31

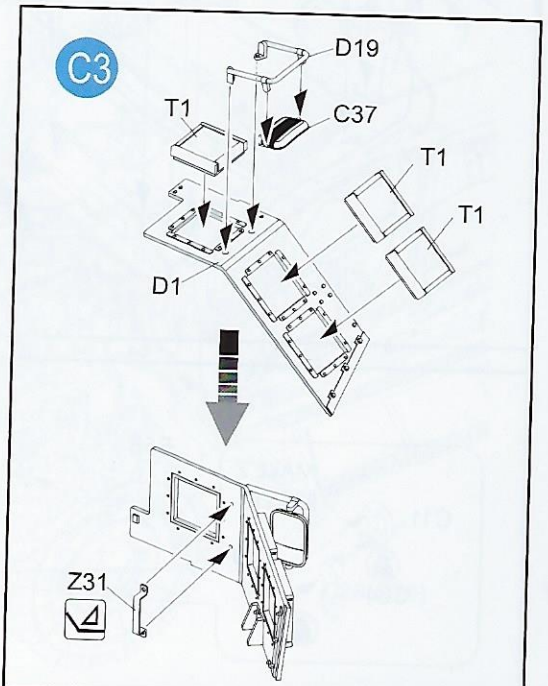
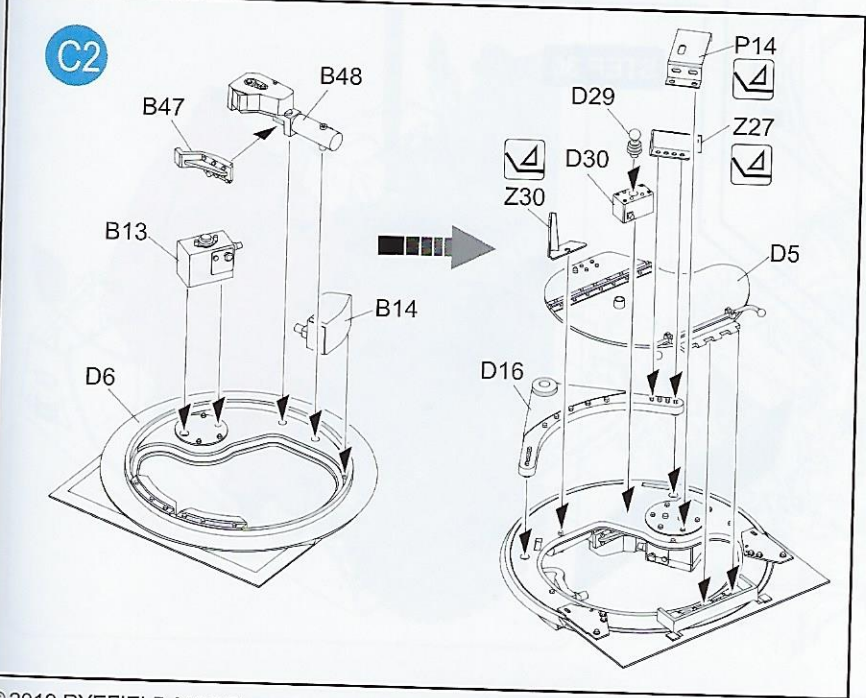
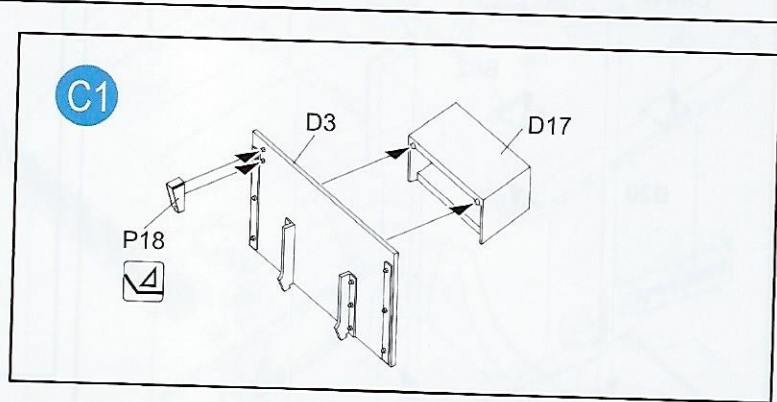
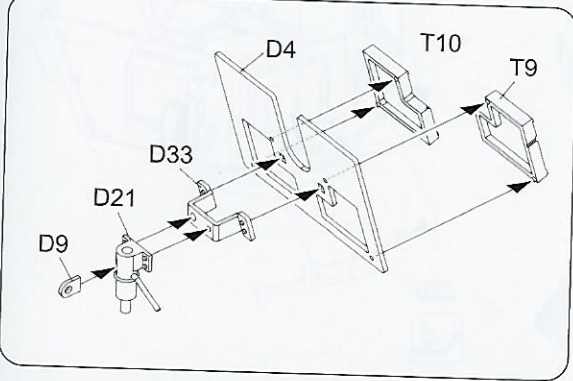
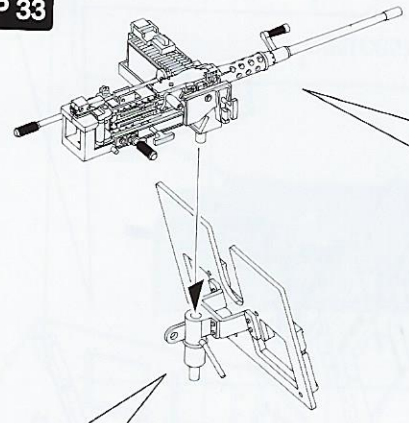


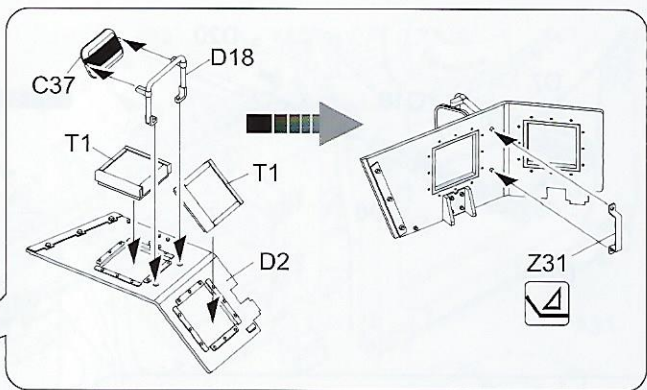
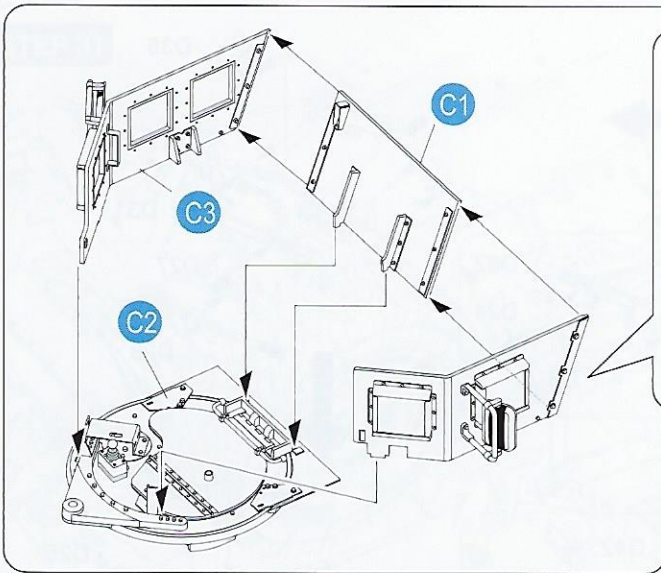
STEP 32



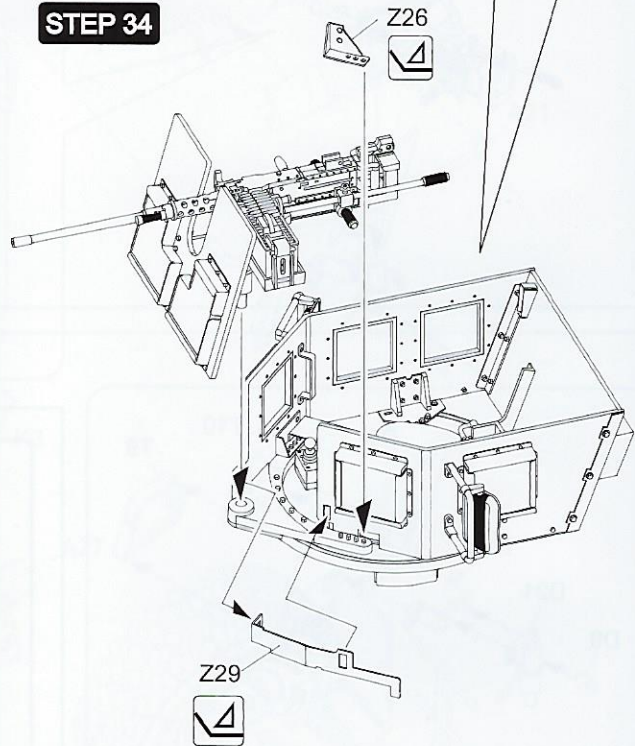


STEP 33

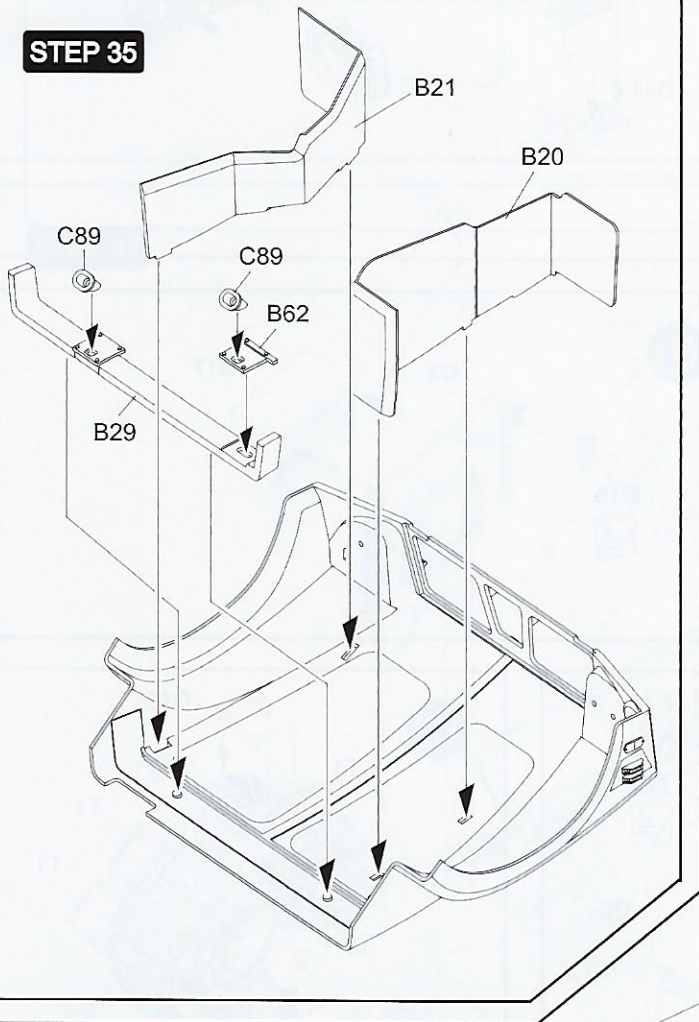




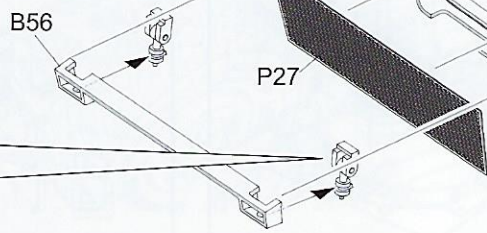
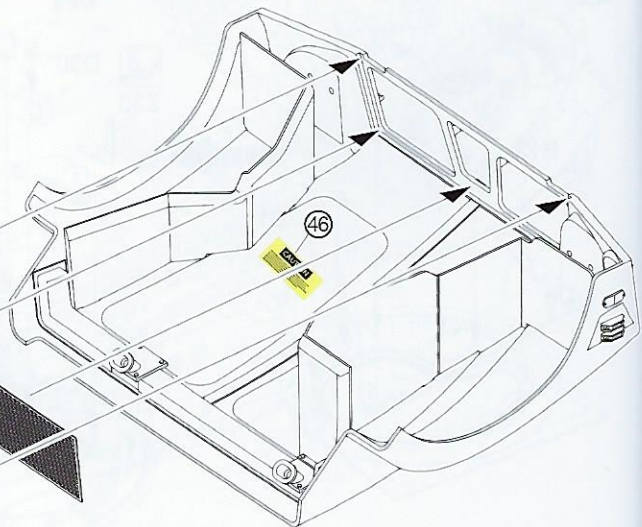
STEP 34



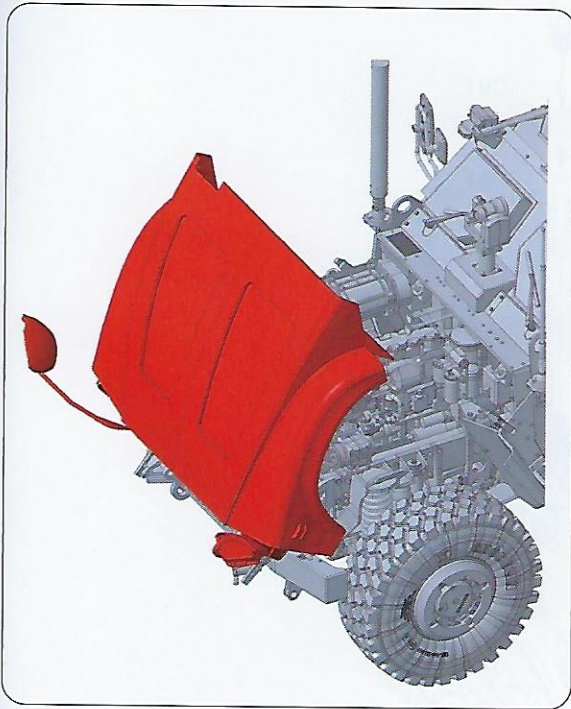
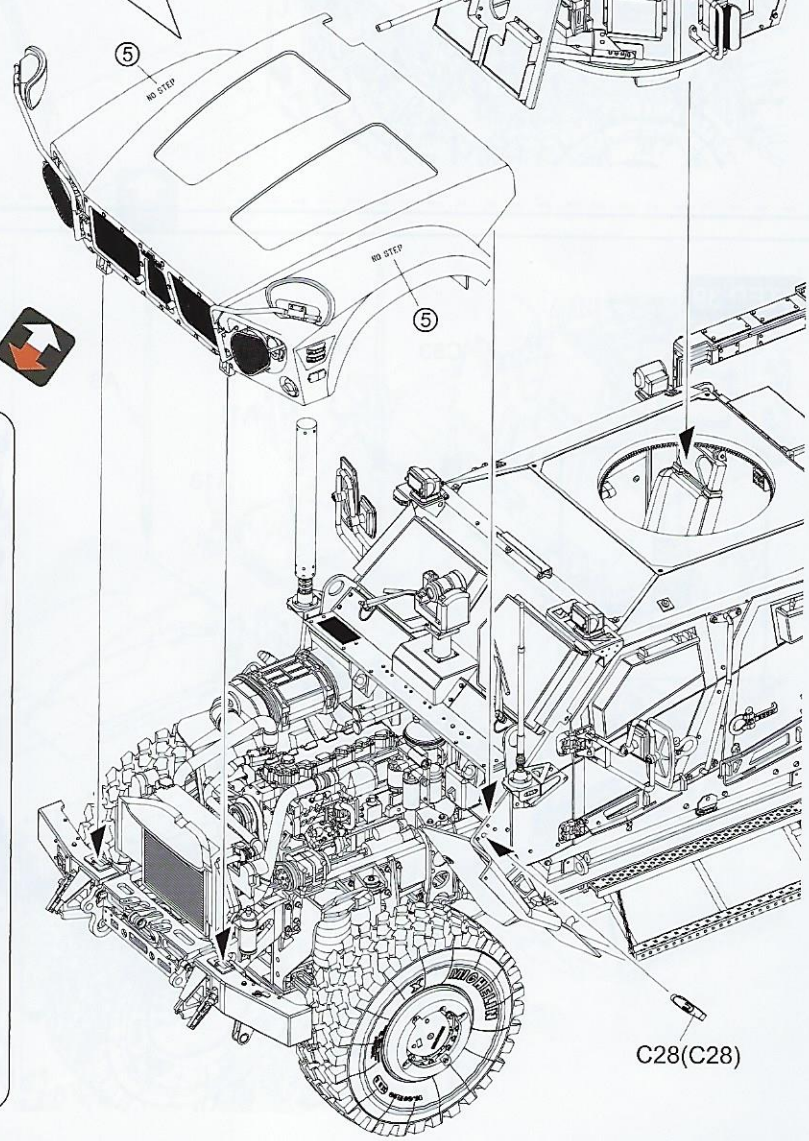
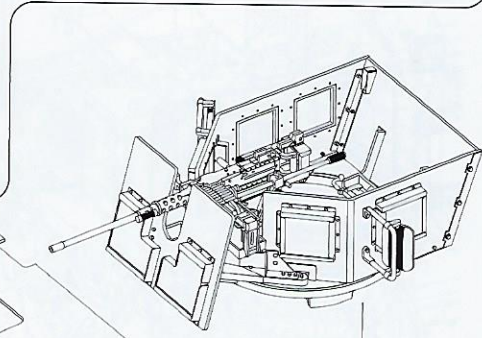
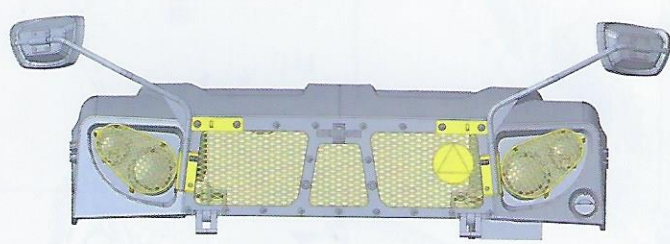
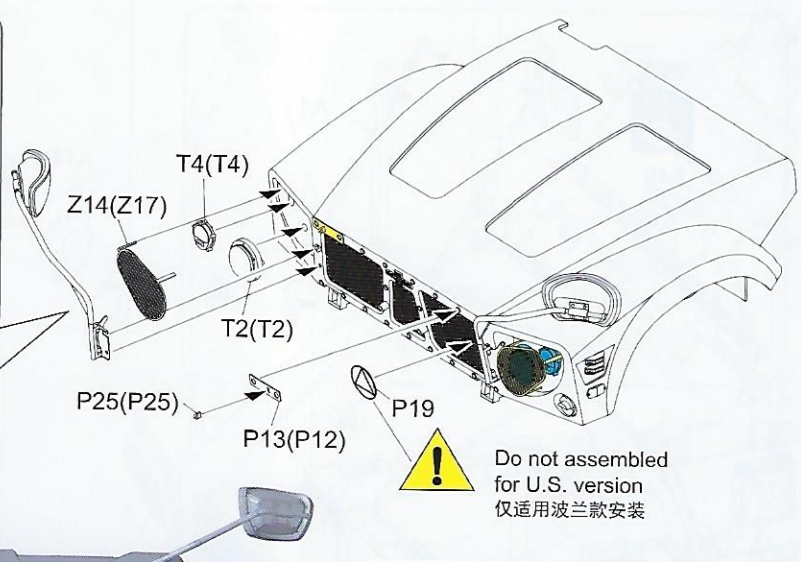
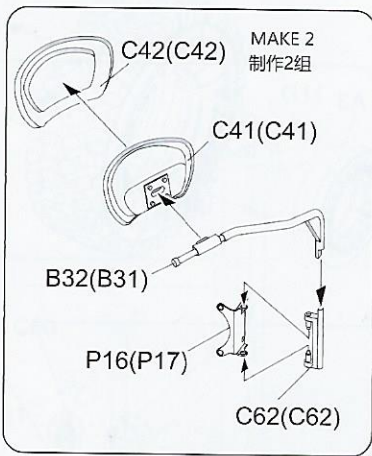
STEP 35



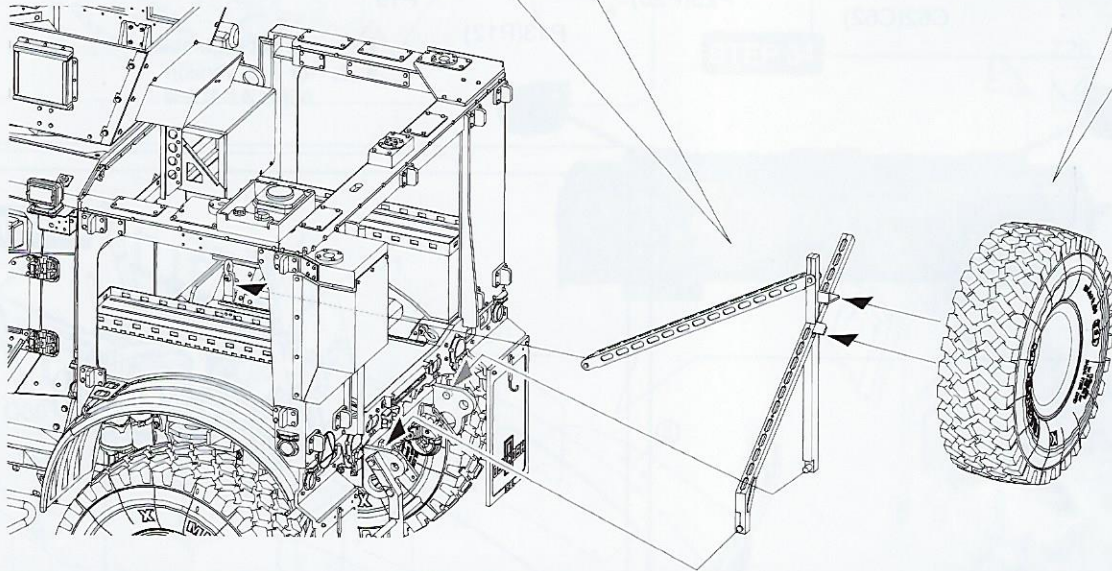
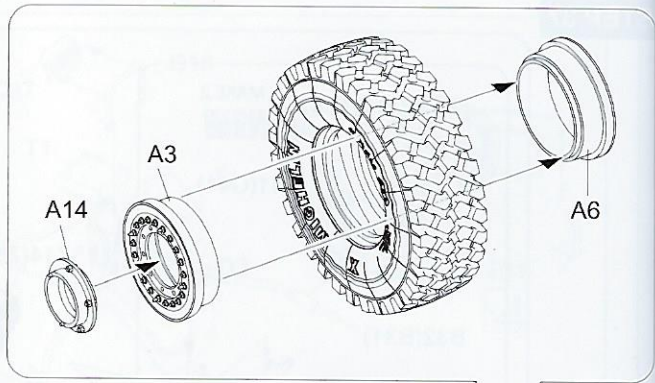
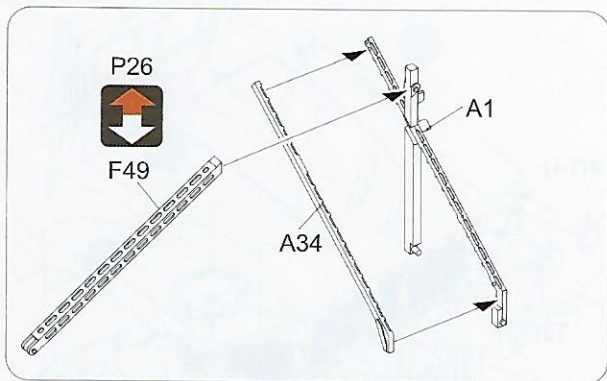
STEP 36



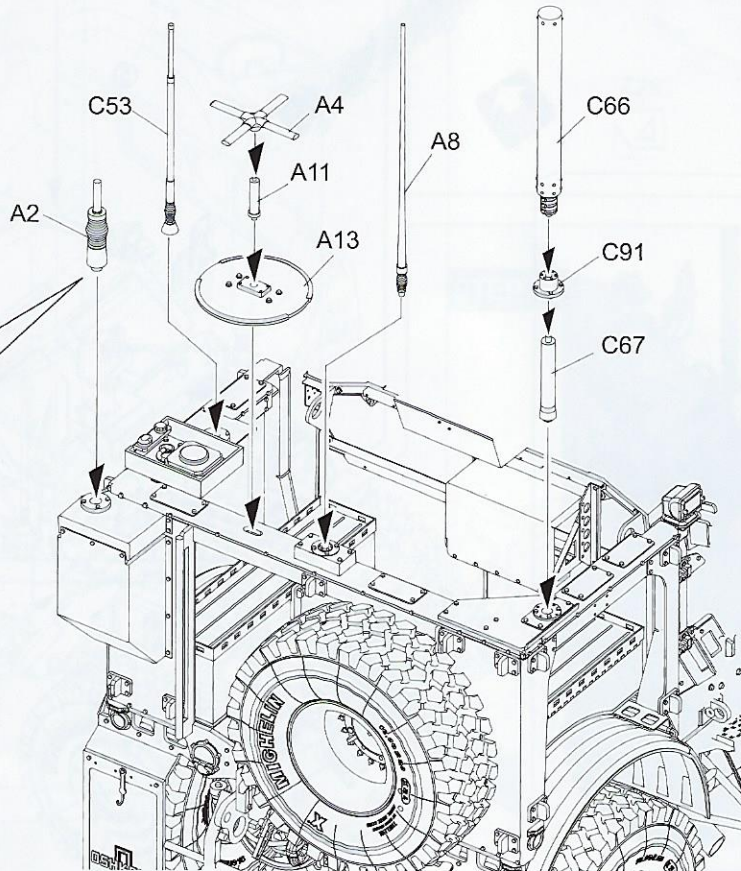
STEP 37



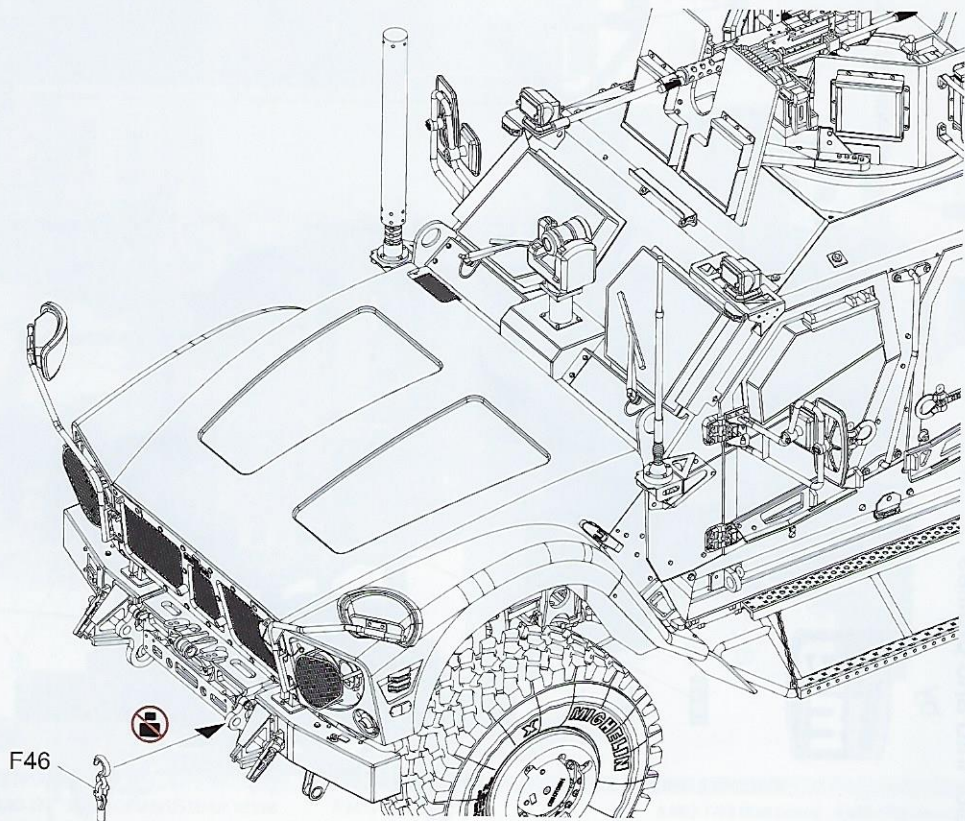
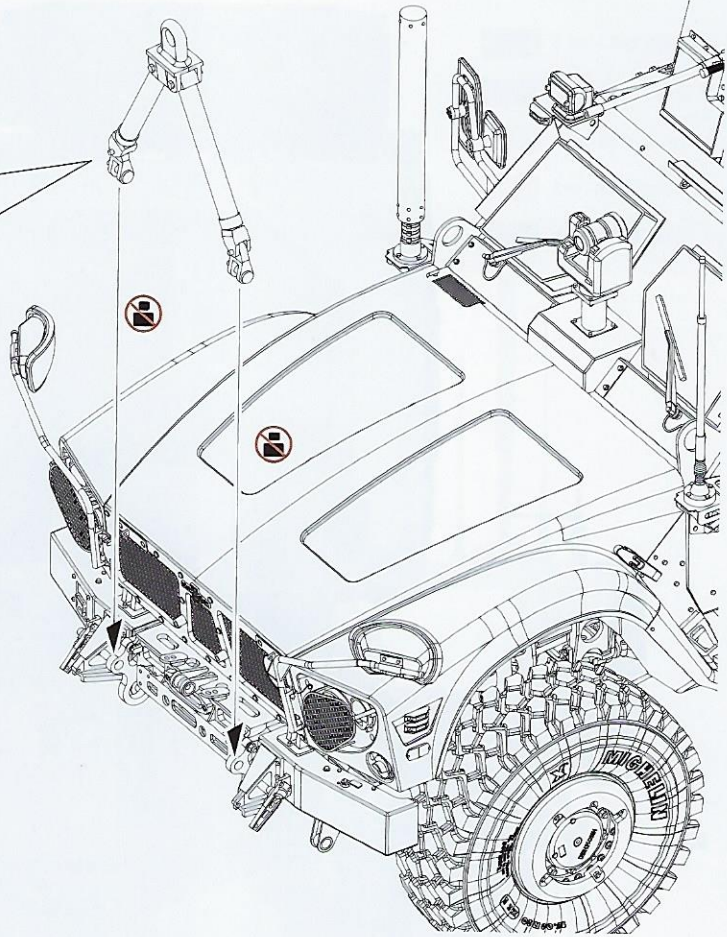
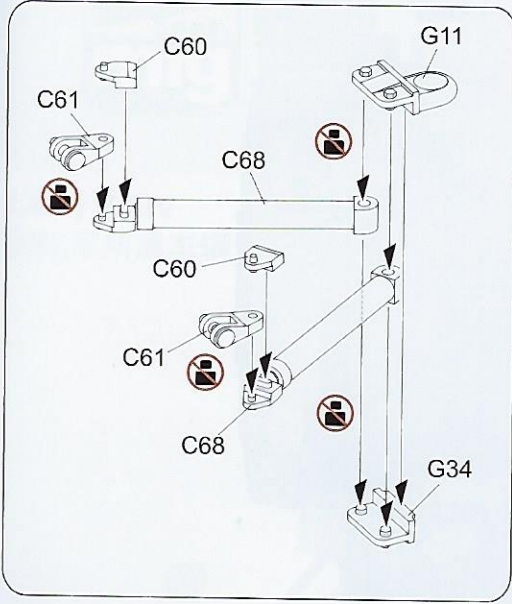
STEP 38



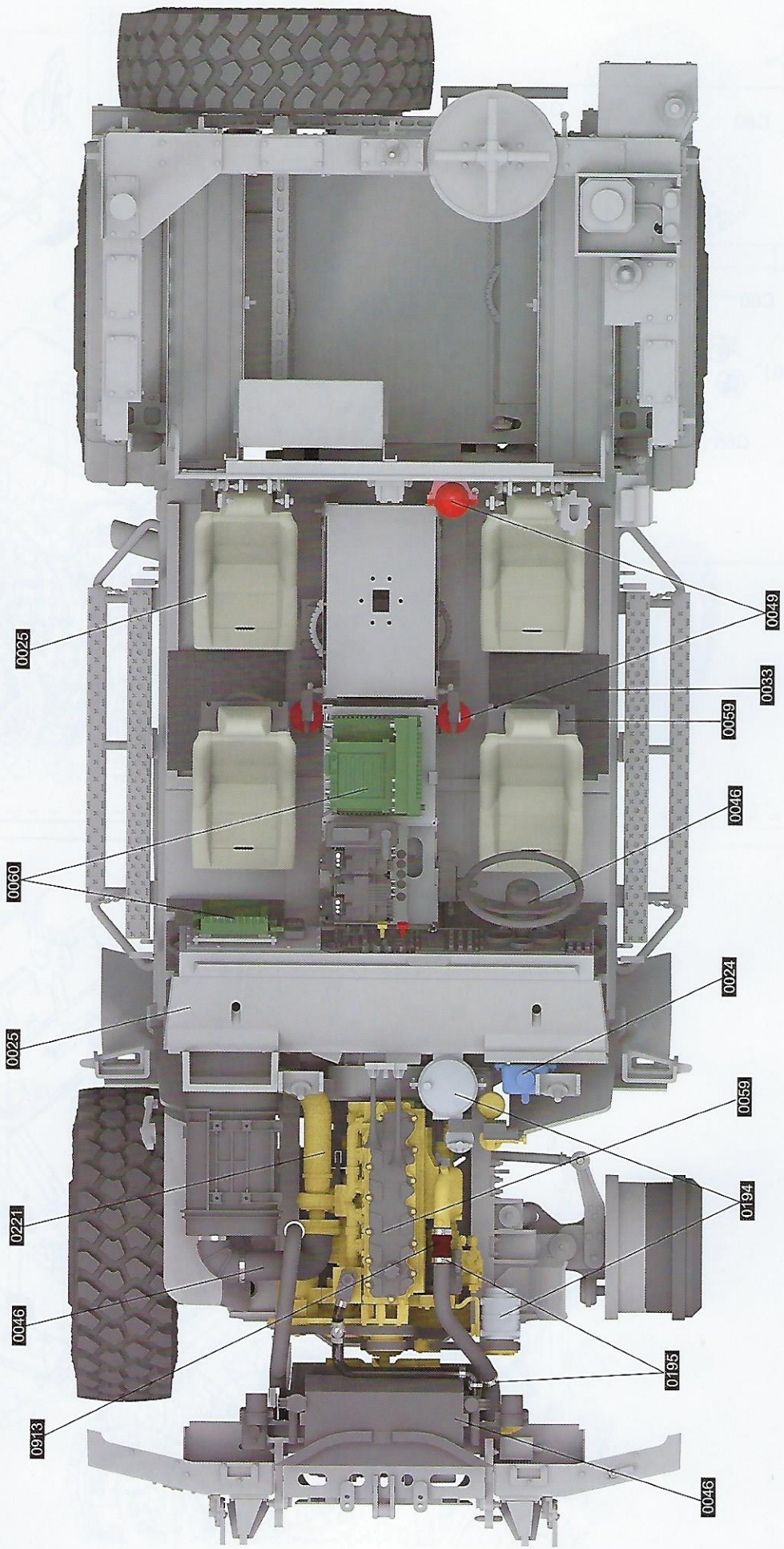
STEP 39



STEP 40



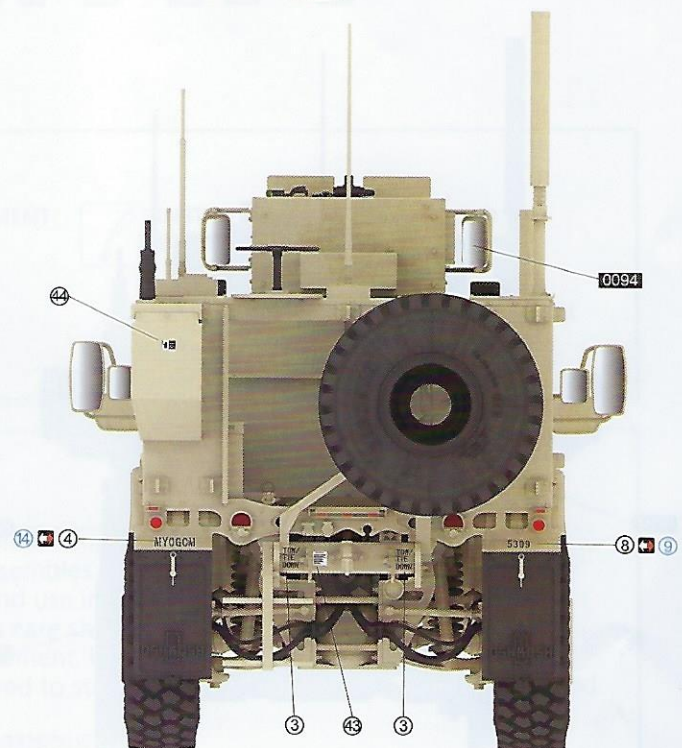
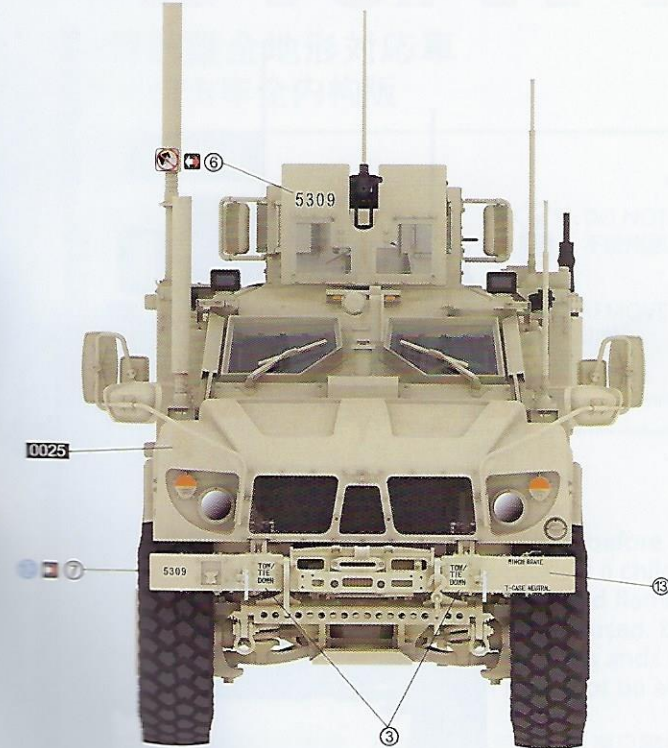
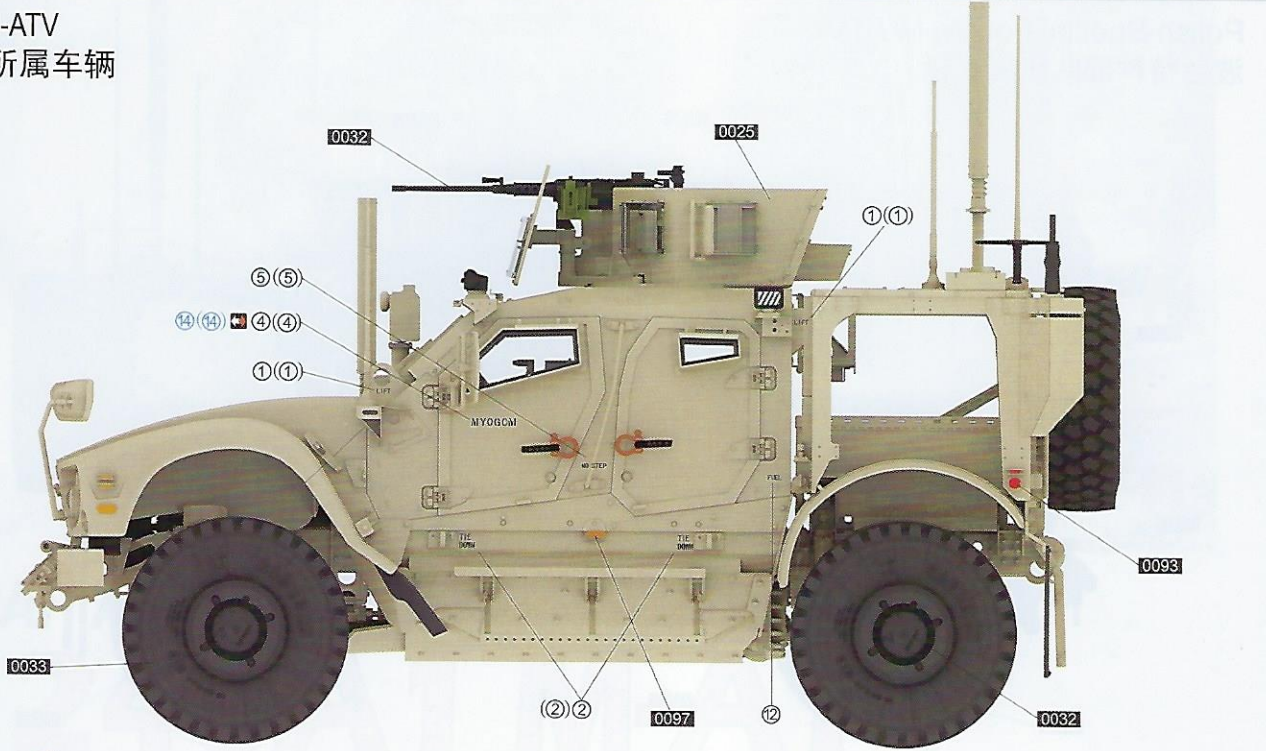
Color info and profiles
by





A.MIG-0032 Satin Black	A.MIG-0033 Rubber & Tires	A.MIG-0046 Matt Black
A.MIG-0049 Red	A.MIG-0093 Crystal Red	A.MIG-0094 Crystal Glass
A.MIG-0097 Crystal Orange	A.MIG-0195 Silver	A.MIG-0025 Modern Vehicles
A.MIG-0224 Sky Line Blue A II	A.MIG-0913 Red Brown Base	A.MIG-0221 Zinc Chromate Yellow
A.MIG-0060 Pale Green	A.MIG-0194 Matt Aluminum	A.MIG-0059 Grey

U.S.Army M-ATV
美国陆军所属车辆



WEATHERING STEPS WITH AMMO PRODUCTS

1 GENERAL WASH A.MIG-1007 U.S. Modern Vehicles Wash	3 STREAKING A.MIG-1207 Streaking Grime for US Modern Vehicles	5 TIRES WASH A.MIG-1401 Light Dust	7 MUD & SPLASHES A.MIG-1703 Moist Ground A.MIG-1752 Loose Ground
2 FILTER A.MIG-1506 Gray for Yellow Sand	4 RAINMARKS A.MIG-1258 Streakingbrusher Dust	6 DUST A.MIG-3018 Middle East Dust	8 GREASE & OIL A.MIG-1408 Fresh Engine Oil

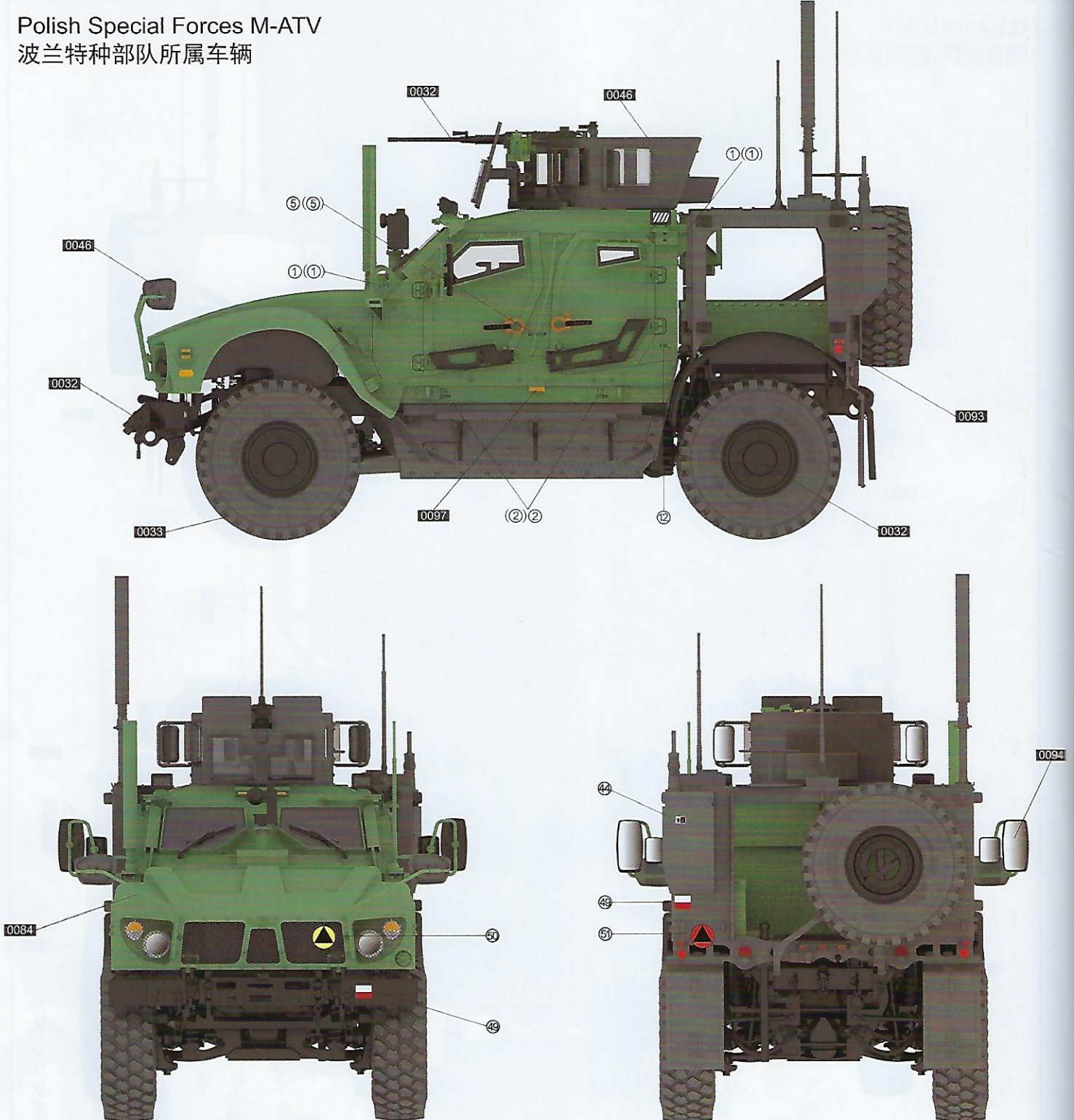


M1240A1 M-ATV POLAND

Painting and Marking Guide

A.MIG-0032 Satin Black	A.MIG-0033 Rubber & Tires	A.MIG-0046 Matt Black
A.MIG-0049 Red	A.MIG-0093 Crystal Red	A.MIG-0094 Crystal Glass
A.MIG-0097 Crystal Orange	A.MIG-0195 Silver	A.MIG-0084 Nato Green

Polish Special Forces M-ATV 波兰特种部队所属车辆



WEATHERING STEPS WITH AMMO PRODUCTS

1 GENERAL WASH A.MIG-1005 Dark Brown Wash for Green Vehicles	3 STREAKING A.MIG-1256 Streakingbrusher Green-Grey Grime	5 TIRES WASH A.MIG-1403 Earth	7 MUD & SPLASHES A.MIG-1704 Heavy Earth A.MIG-1753 Turned Dirt
2 FILTER A.MIG-1506 Brown for Dark Green	4 RAINMARKS A.MIG-1208 Rainmarks Effects	6 DUST A.MIG-3011 Airfield Dust	8 GREASE & OIL