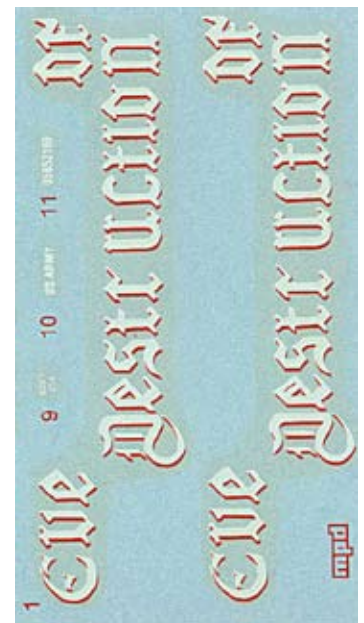
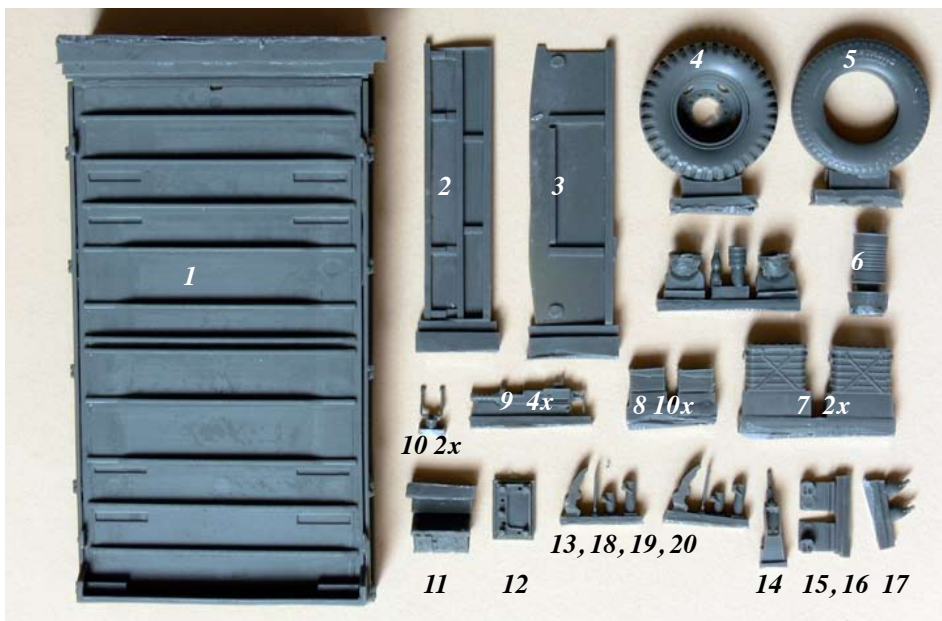
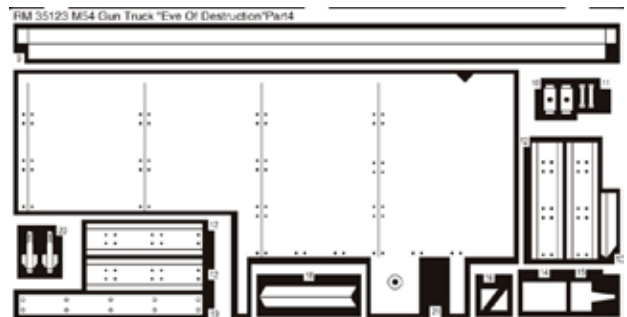
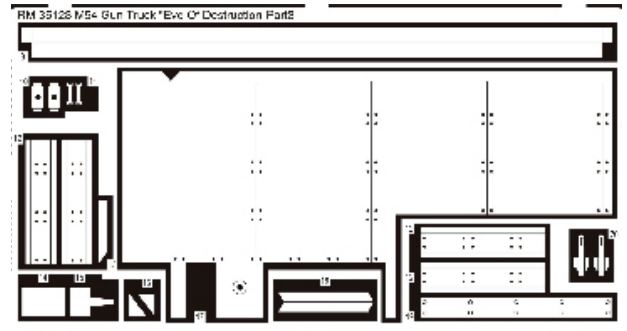
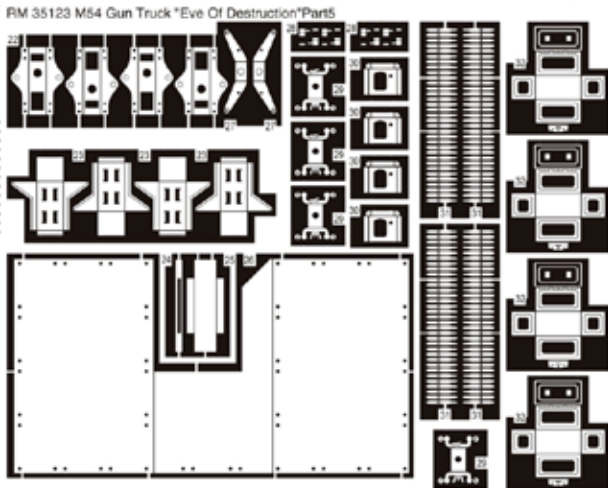
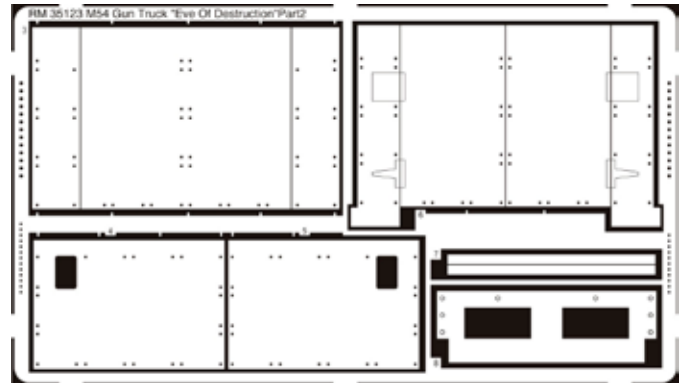
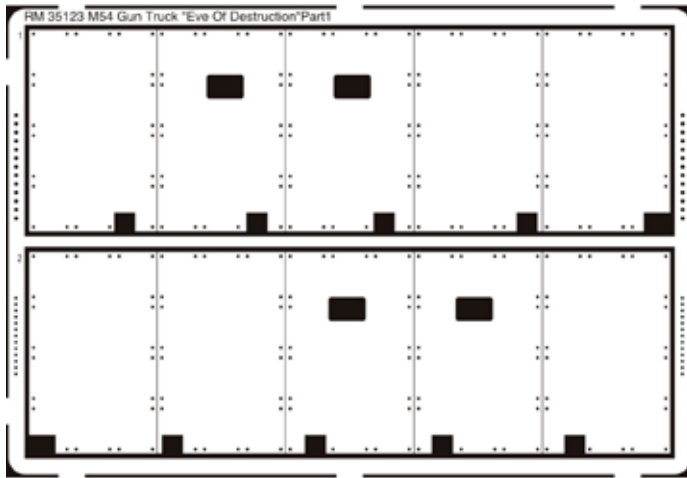


M54 GUN TRUCK "EVE OF DESTRUCTION"

1/35 scale conversion resin set for Italeri kit

RM 35123



3x PE 12

PE 1

PE 17

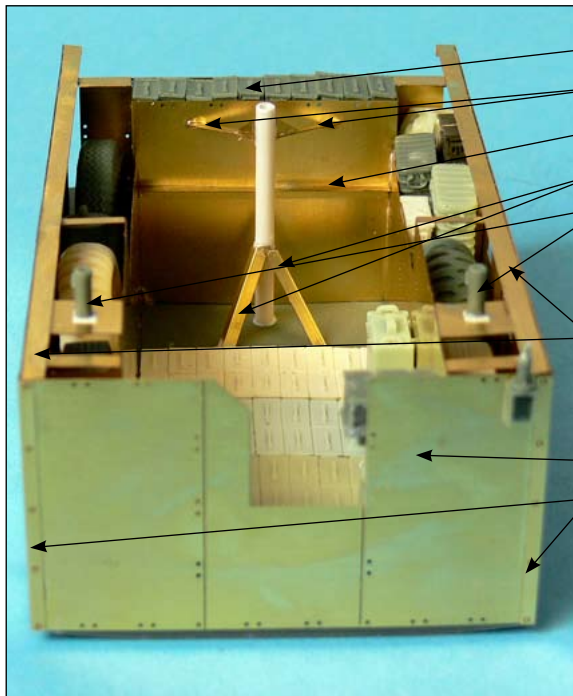
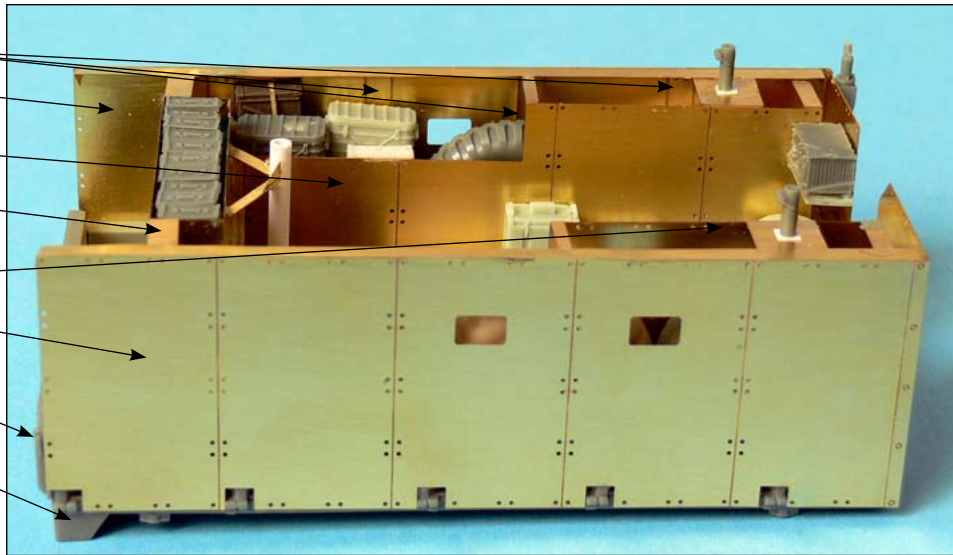
PE 6+3

PE 21

PE 2

RP 2

RP 1



RP 8

PE 13

PE 7

PE 18

RP 19

RP 6

RP 4,5

RP 7

PE 9

PE 15

RP 14

PE 14

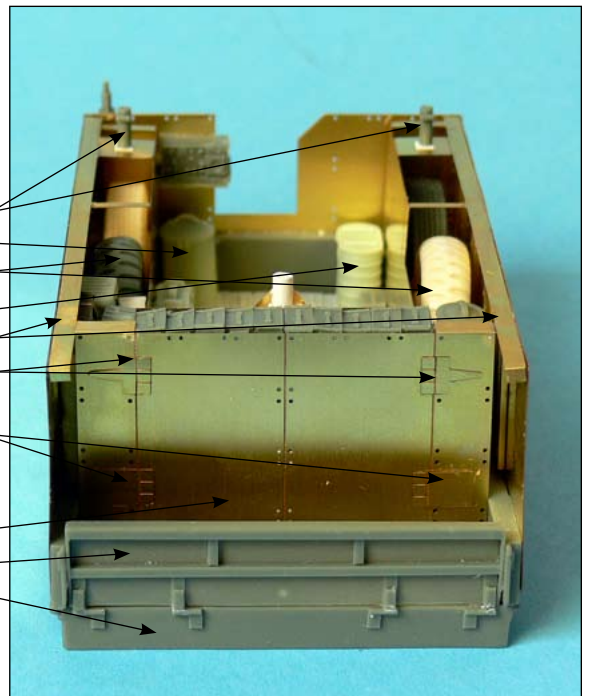
PE 26

PE 19

PE 6 + 3

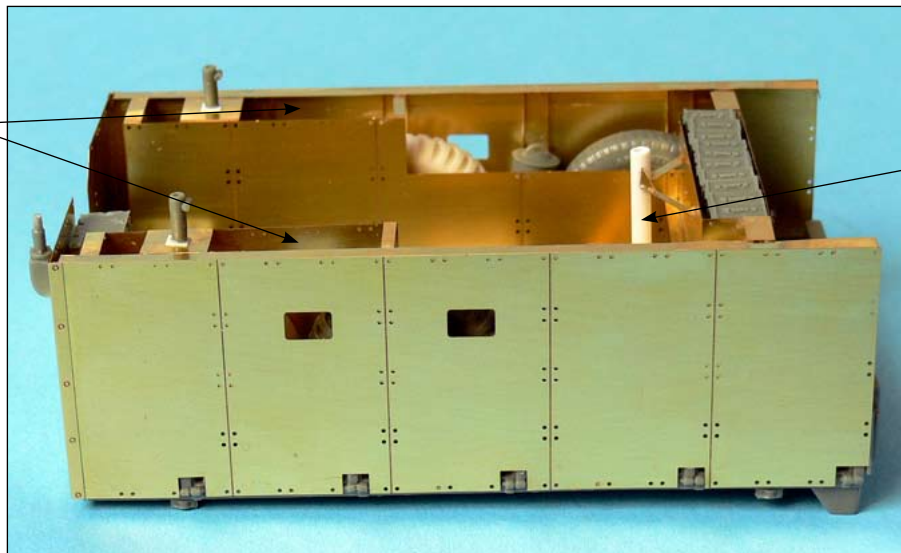
RP 2

RP 1



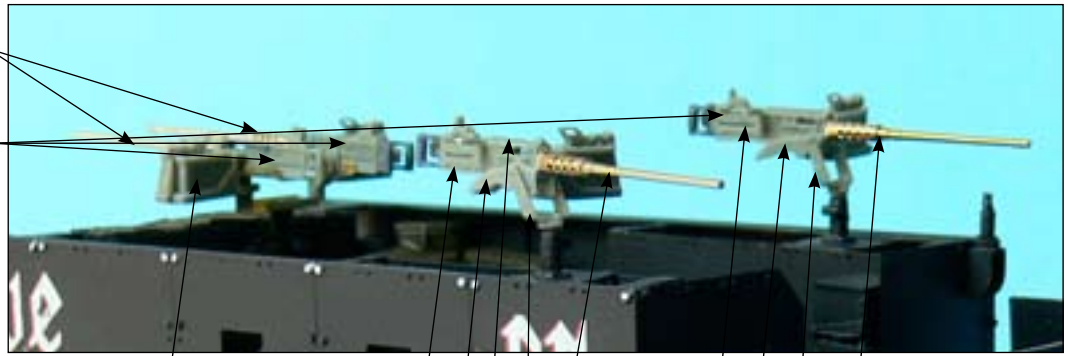
Spare wheels and sand bags

Tube 2mm



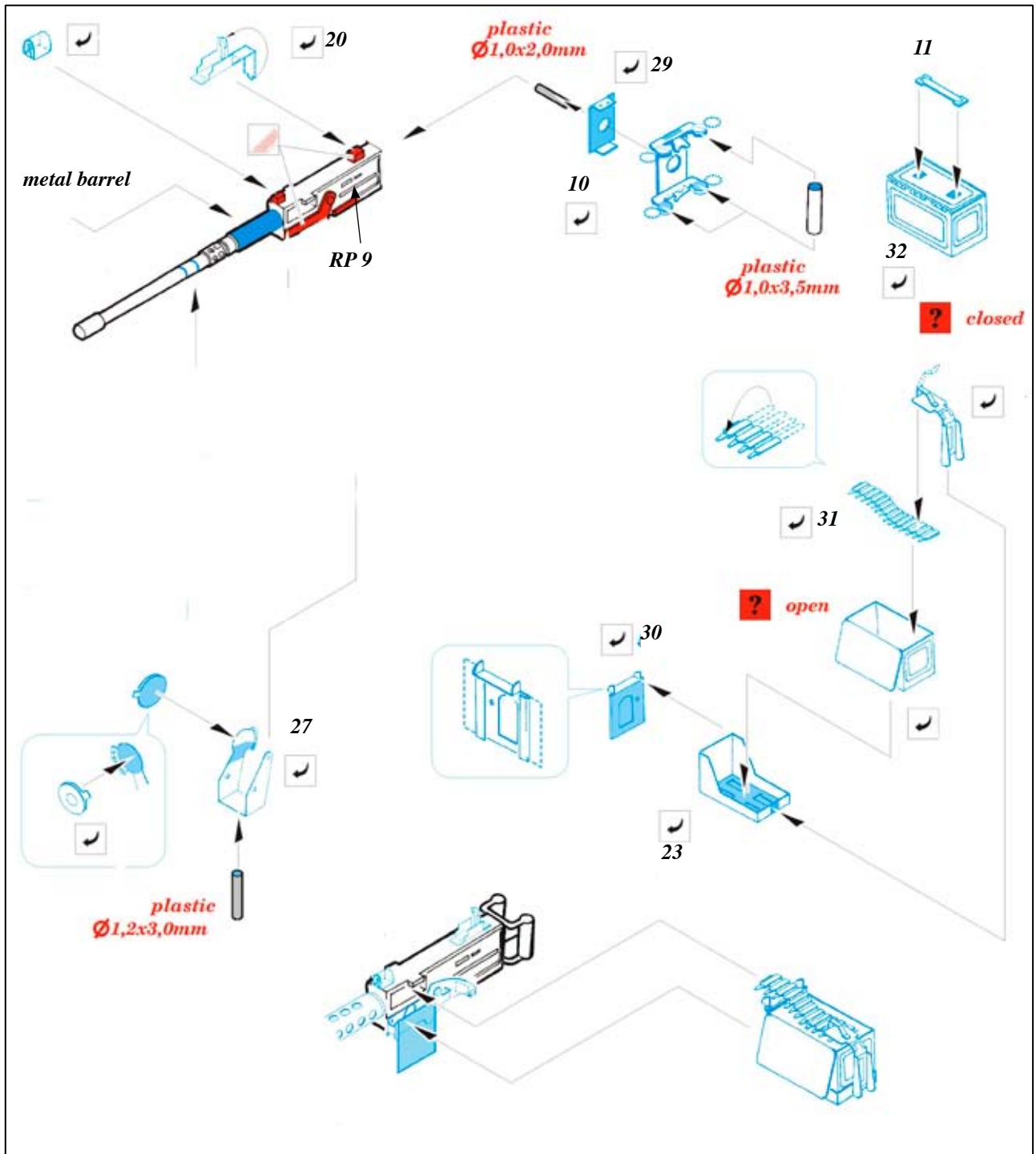
metal barrel

RP 9 4x



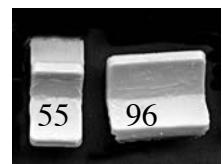
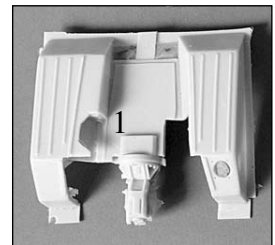
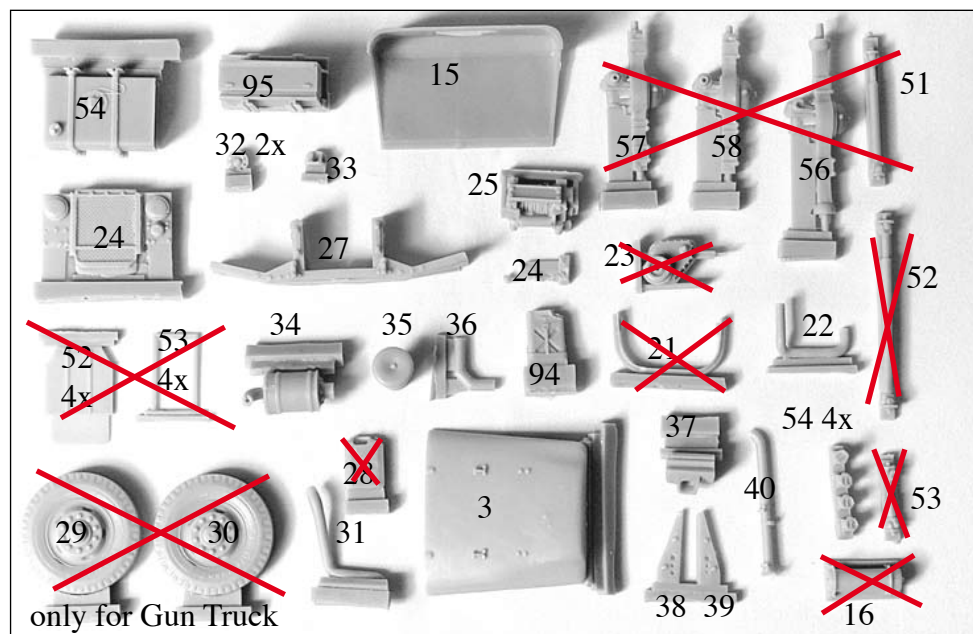
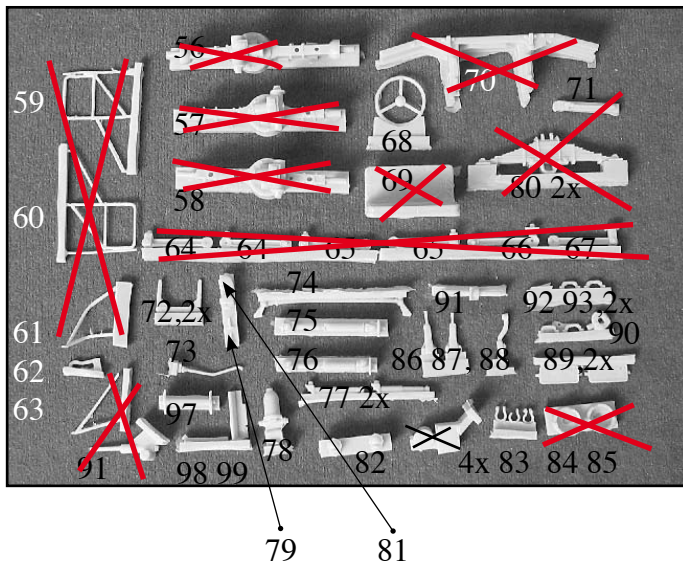
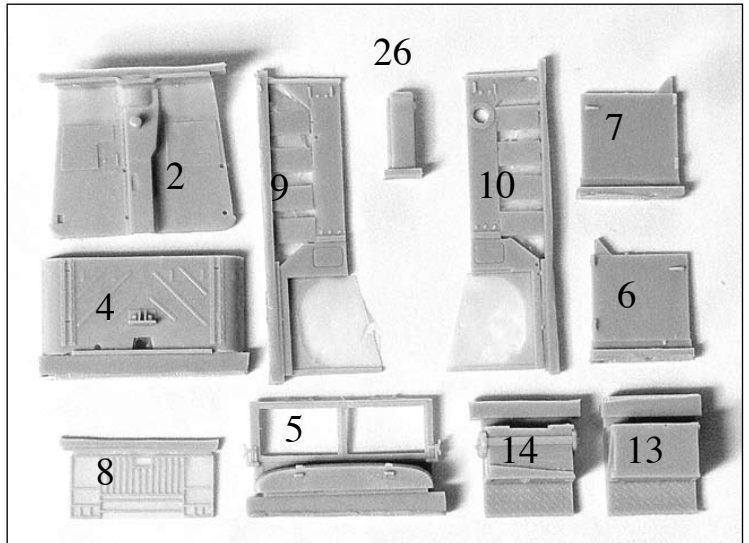
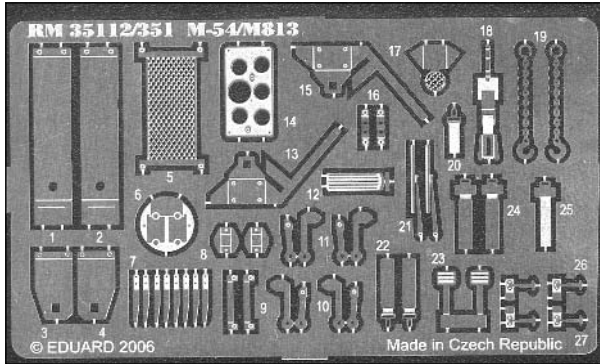
resin ammo cans

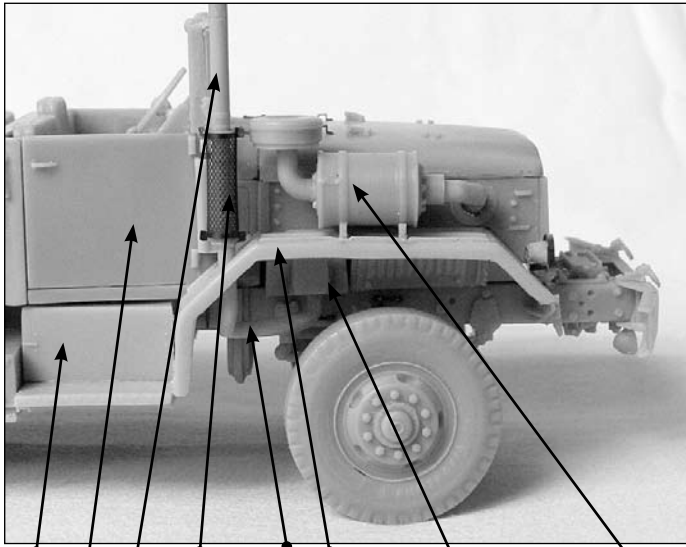
RP 9, 13, 18, 10, metal barrel, 9 13, 10, metal barrel



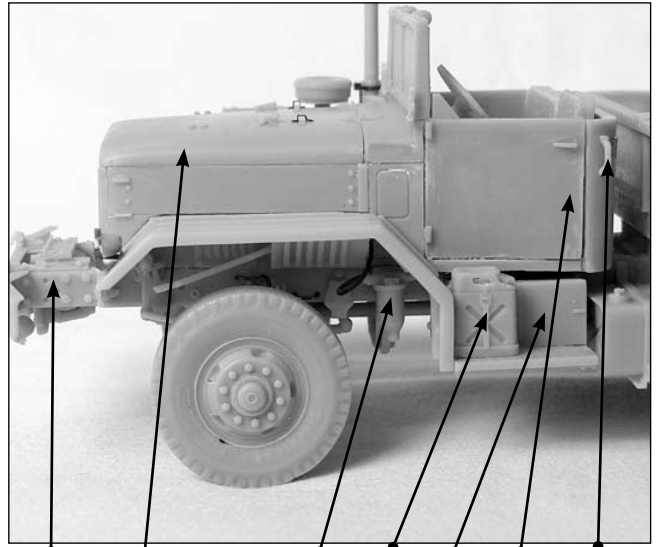
M54 5 TON 6 x 6 CAB

1/35 scale full resinset for Italeri kit

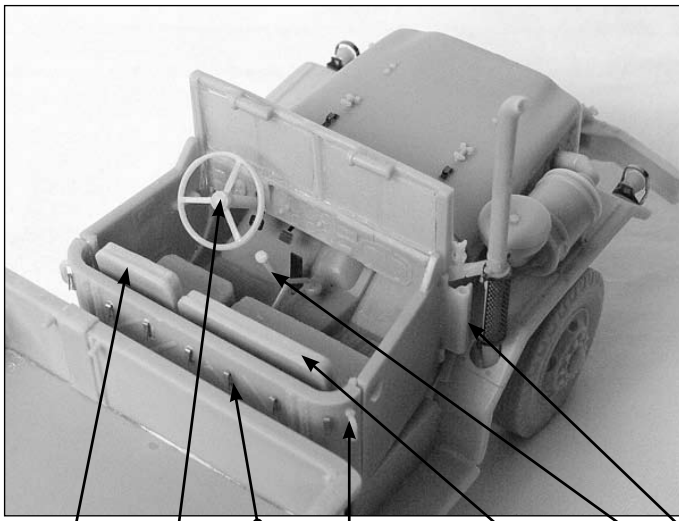




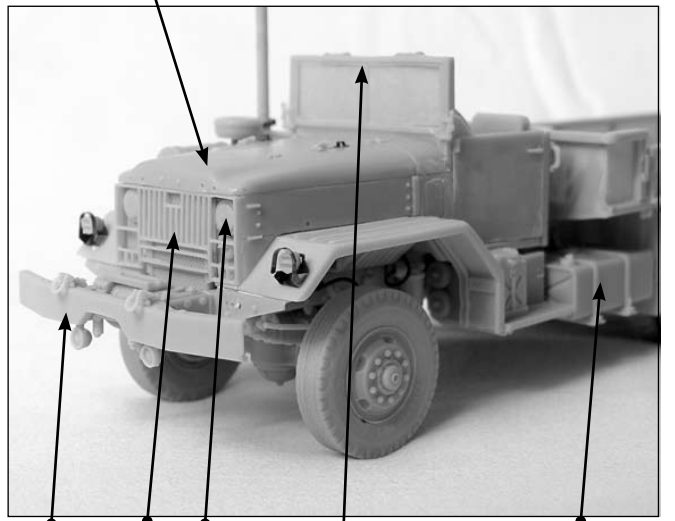
13 7 40 G 22 1 37 34+35+36



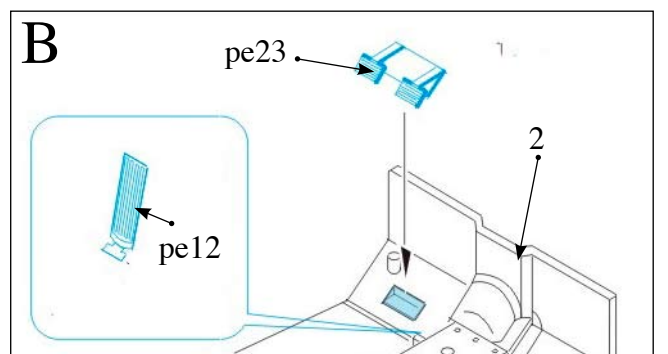
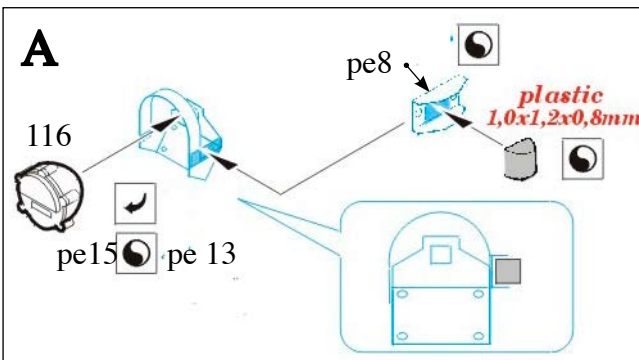
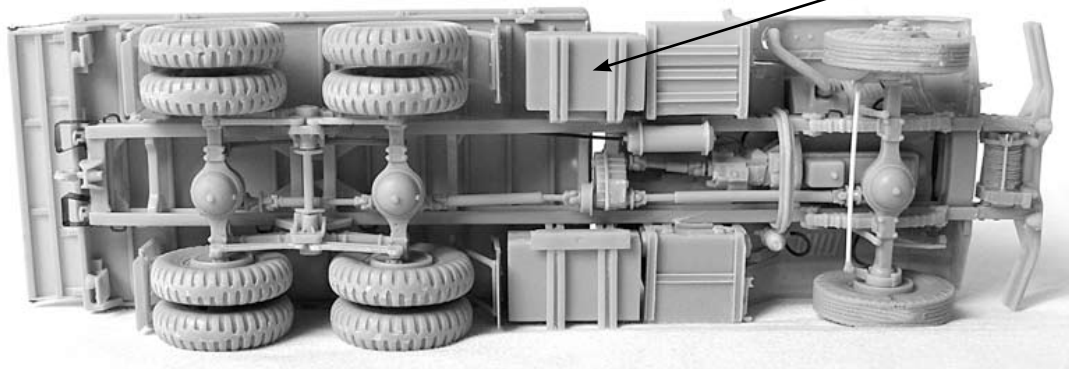
27+37 3 78 94 14 6 93

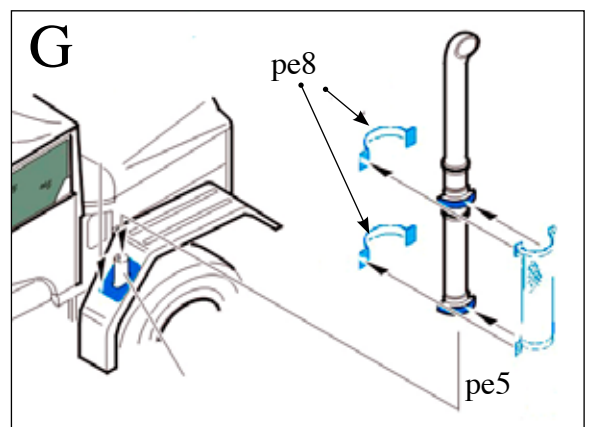
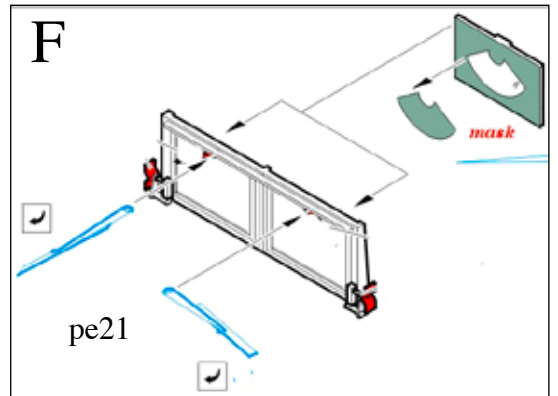
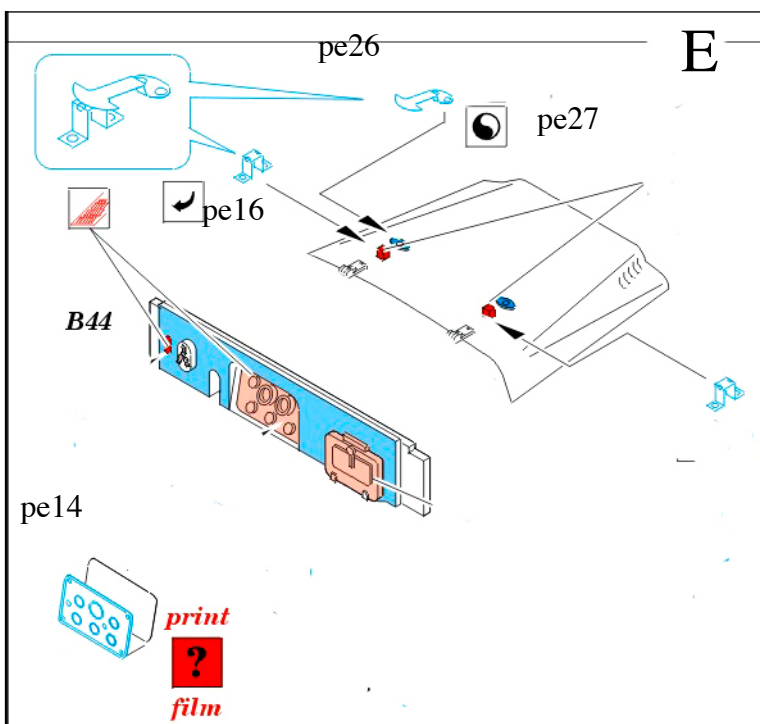
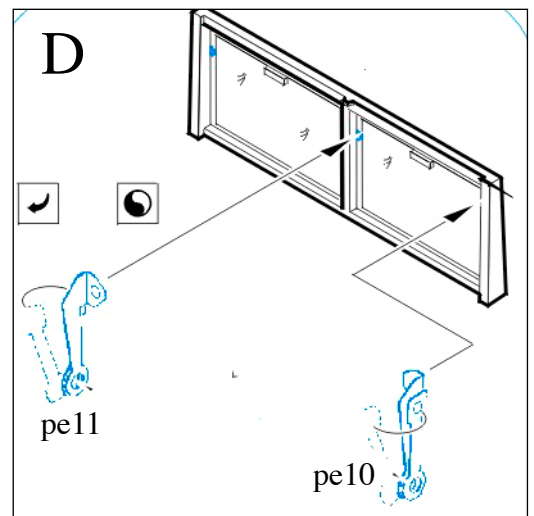
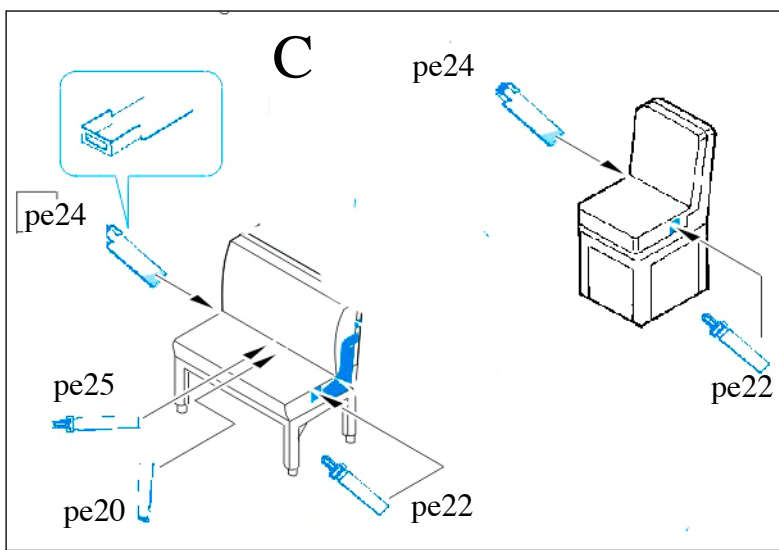
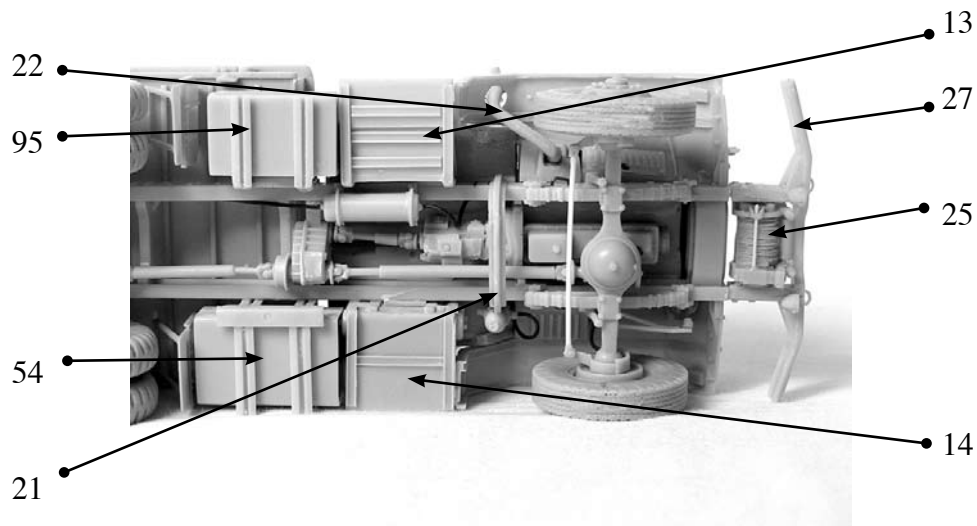


55 68 7x pe7 93 96 73 99



27 8 24 5 95 54







Twin guns mount - PE 25, 24 + RP 20

All vehicle has ben painted mixed color: Olive drab + Black 50:50 or only Black, front part of the engine deck are a Yellow, parts on MG are red.

