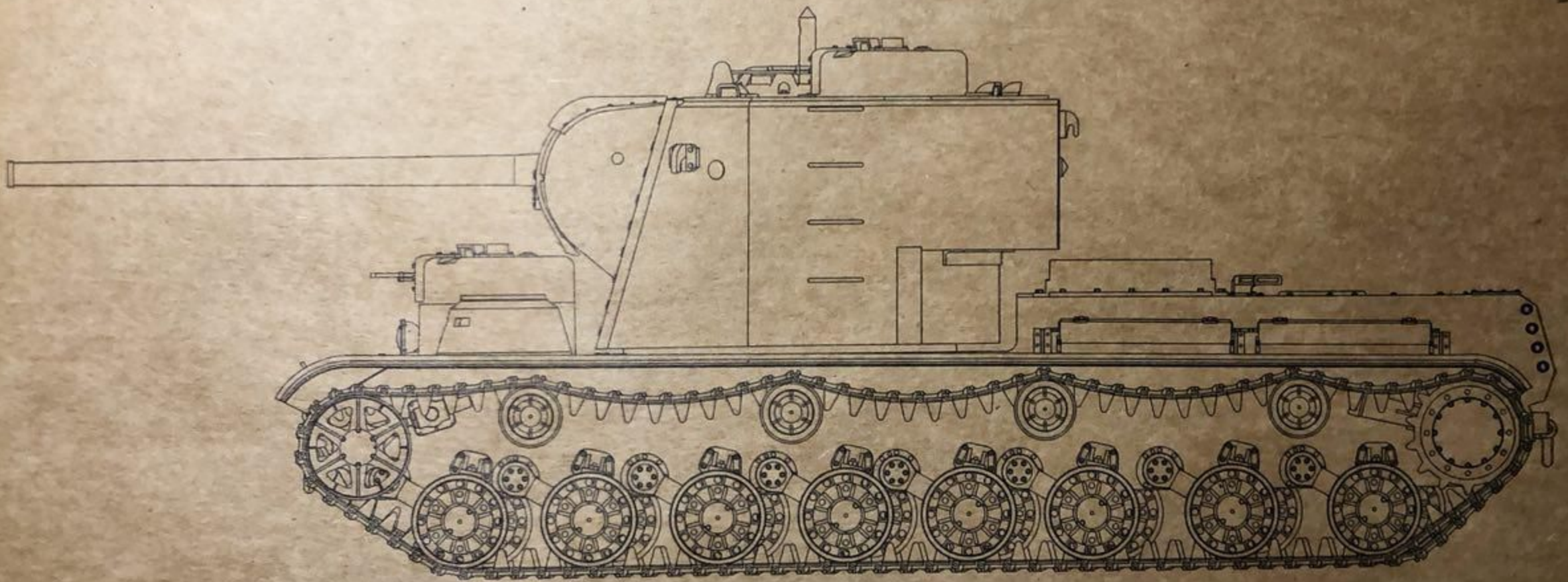


SOVIET SUPER HEAVY TANK

KV ★ 5

KV-5 (Object 225) - A cancelled project for a heavy tank. Armament was to be a 107 mm ZiS-6 gun in a large turret and machine-gun in a small secondary turret. Weight was projected as about 100 tons, and the tank was to have 150-180mm of armor. Project development began in June 1941, however was cancelled due to the Siege of Leningrad, when all developmental operations at the Kirov Plant were halted. The project fell out of favour from the more advanced heavy tank designs, and no prototype was built. *[For more information about KV-5 please search wikipedia]*



Thanks for all your contribution on this project.

READ BEFORE ASSEMBLY

CAUTION

- Read carefully and fully understand the instructions before commencing assembly. A supervising adult should also read the instructions if a child assembles the model.
- When assembling this kit, tools including knives used. Extra care should be taken to avoid personal injury.
- Keep out of reach of small children. Children must not be allowed to suck any part, or pull vinyl bag over their heads.



Remove



Painting



Do Not Cement



Instant Glue
for Metal



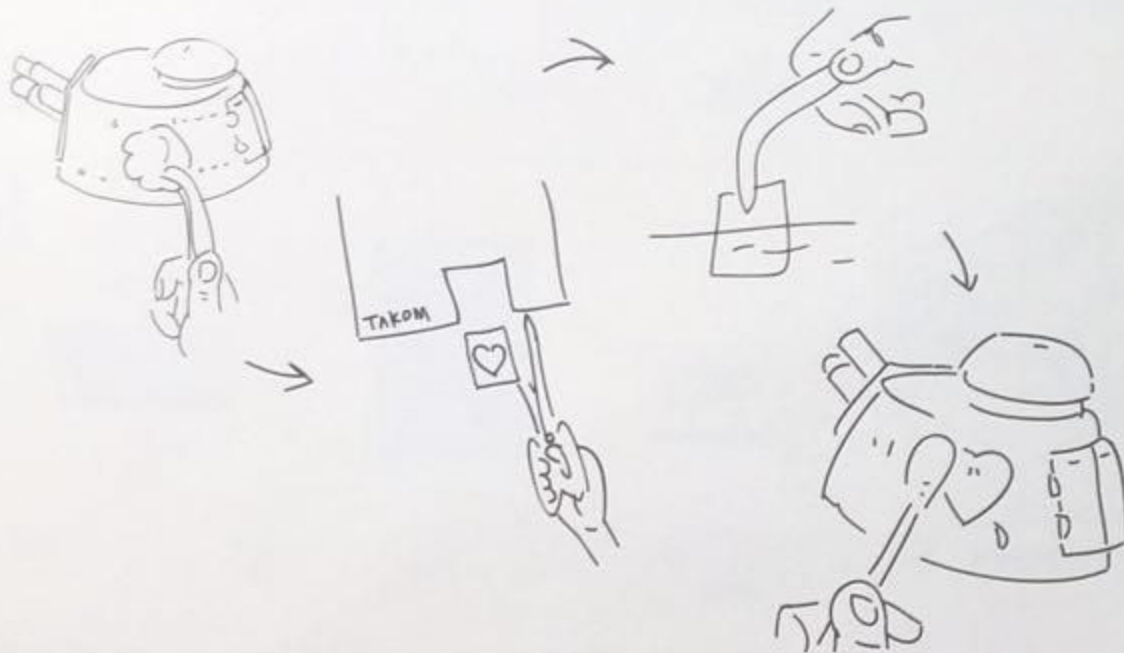
Apply Decal

PAINTS REQUIRED

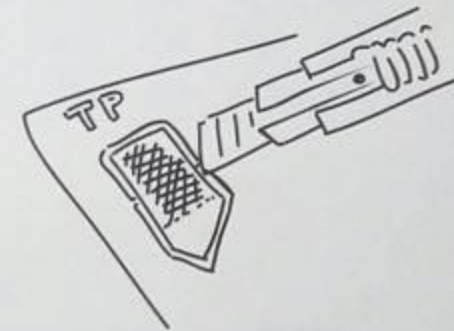
XF-55 Deck Tan
XF-61 Dark Green
XF-19 Sky Grey
X-10 Gun Metal

APPLYING DECALS

1. Clean the model surface with a wet cloth.
2. Cut out each decal design from sheet, and dip it in tepid water for 15-20 sec.
3. Hold the backing sheet edge and slide decal onto the model.
4. Move decal into position by wetting decal with finger.
5. Press decal gently down with a soft cloth until excess water and air bubbles are gone.



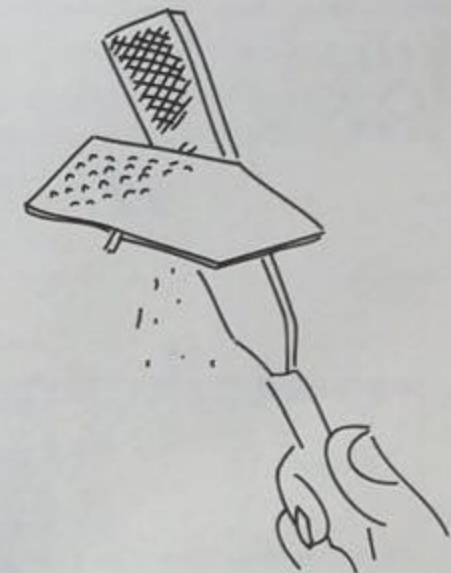
REMOVING PE



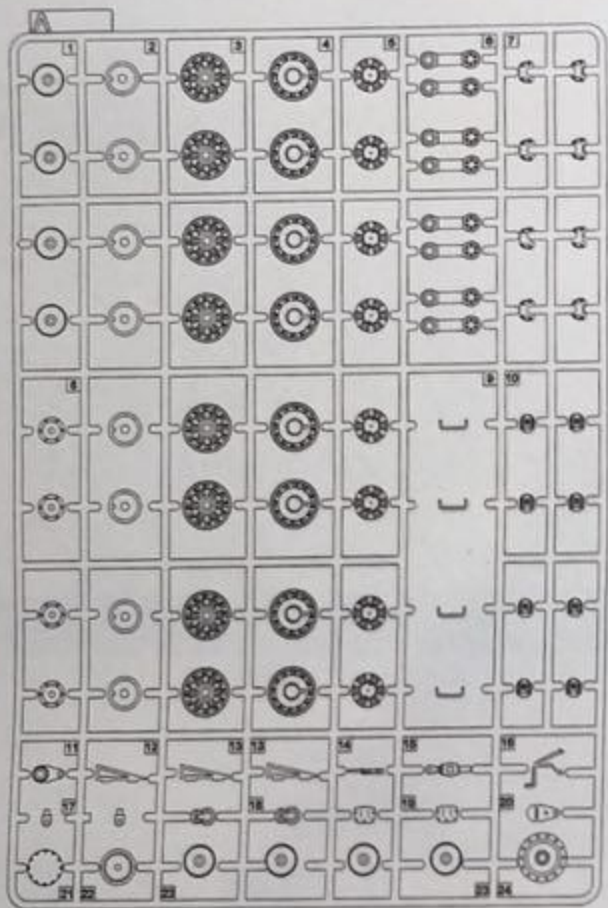
Be careful not to hurt when removing PE parts.



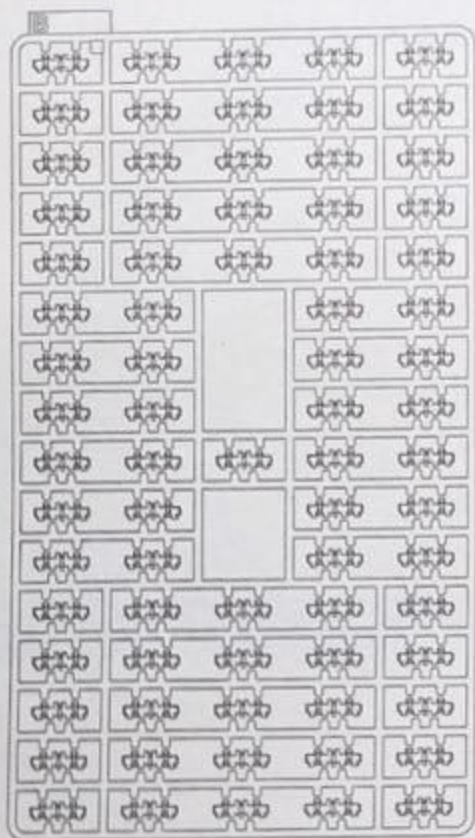
Secure using instant glue (not included).



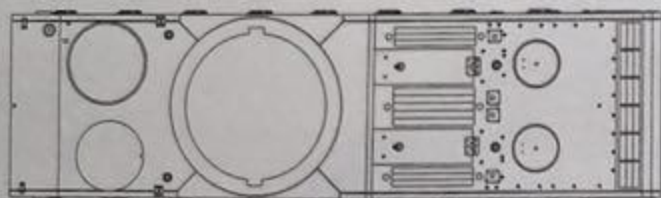
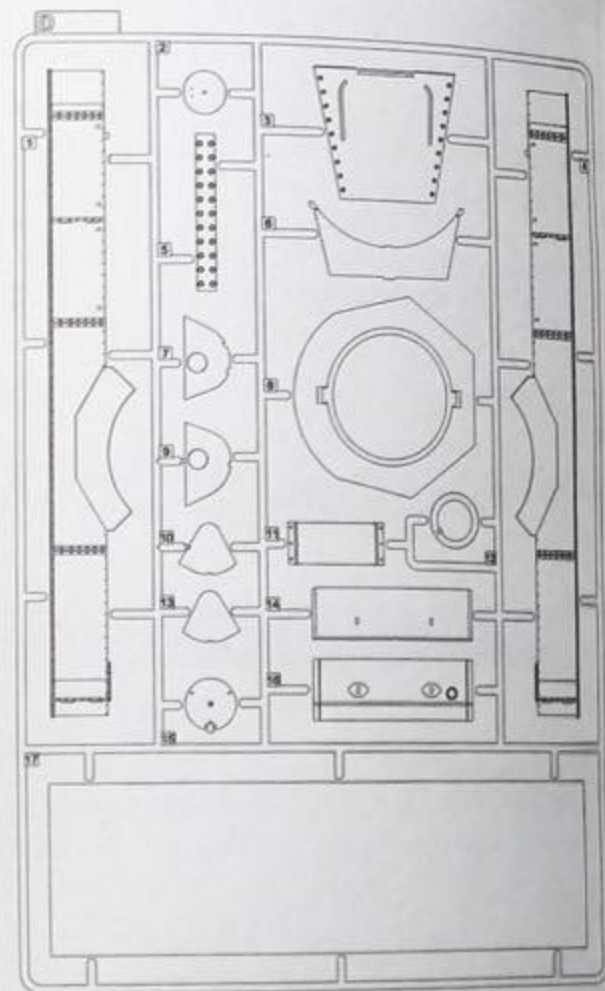
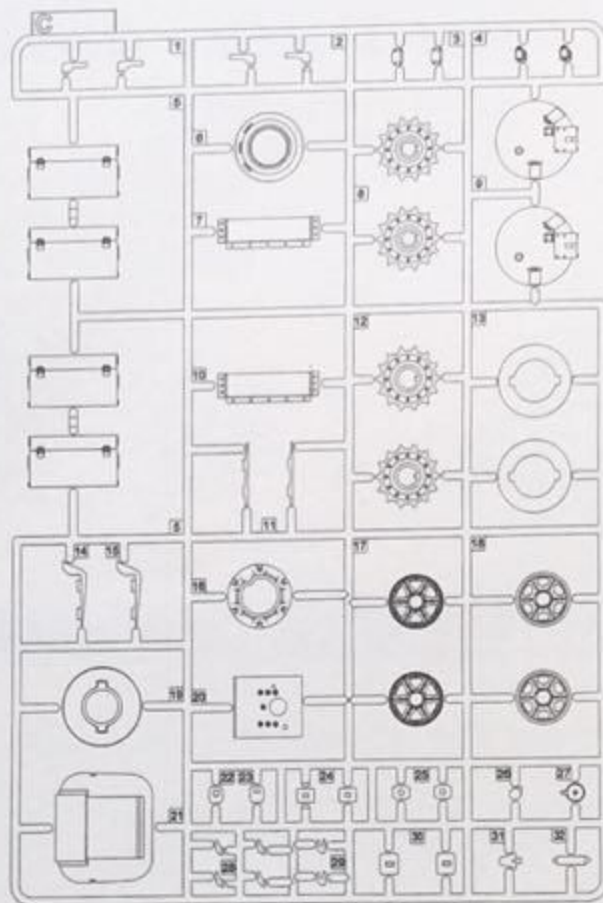
Finish using file.



x2



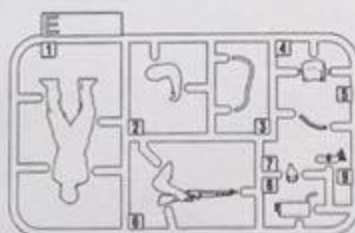
x3



Upper Hull



Turret



Metal Gun Barrel



Clear Parts



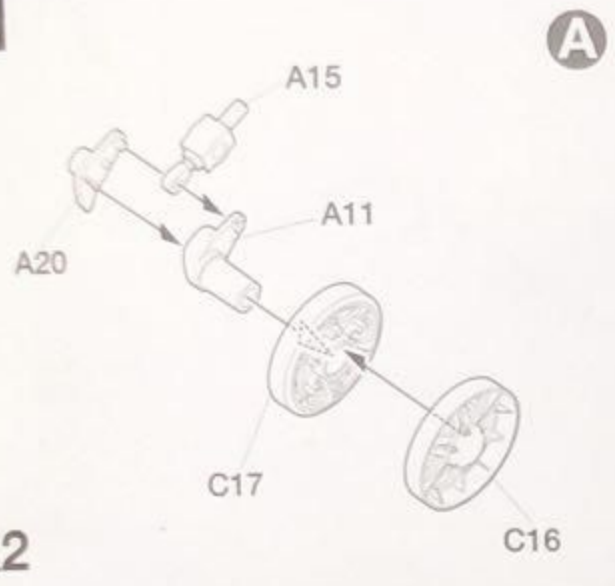
Decal



Poly Cap

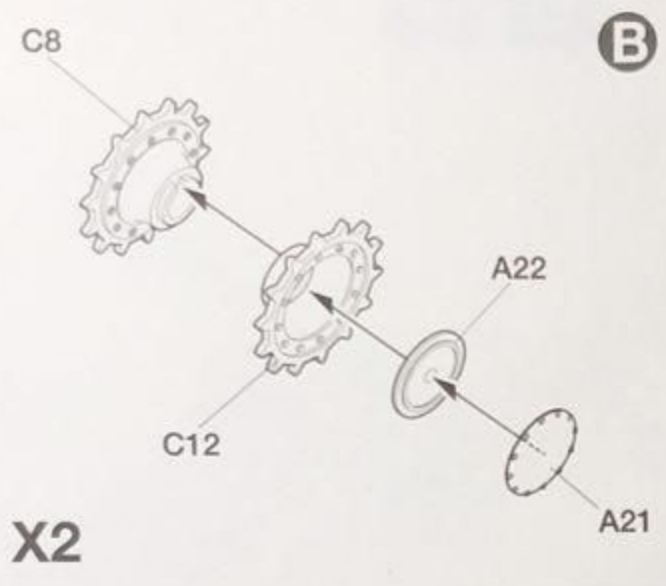
PE

1



X2

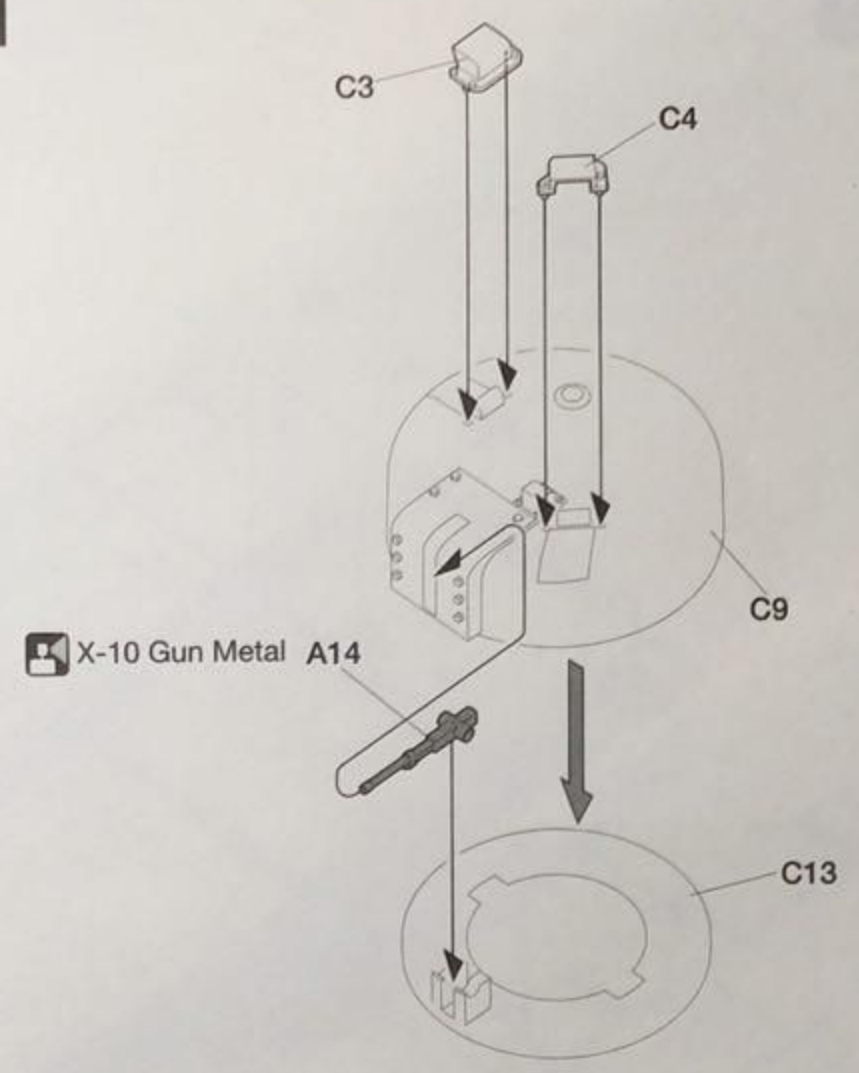
A



X2

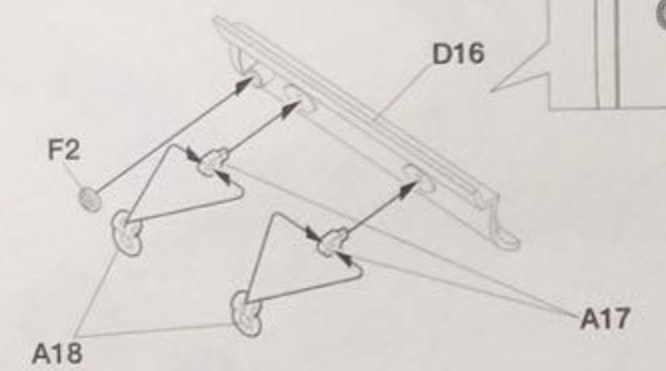
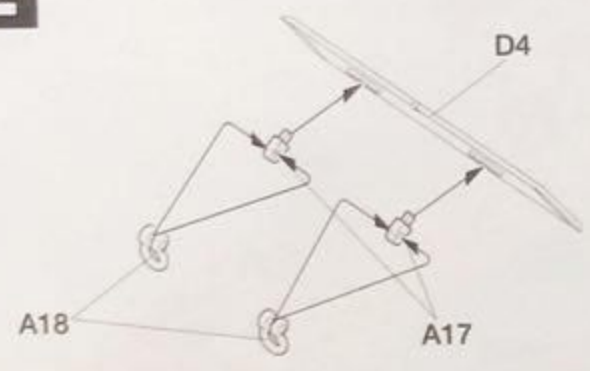
B

4



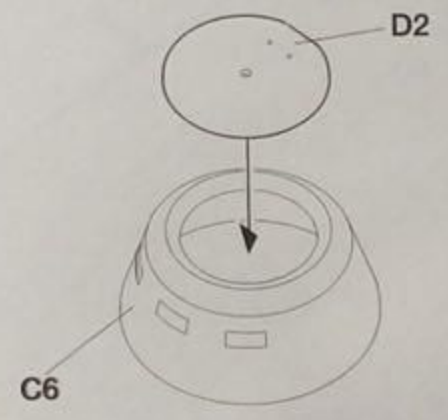
X-10 Gun Metal A14

2

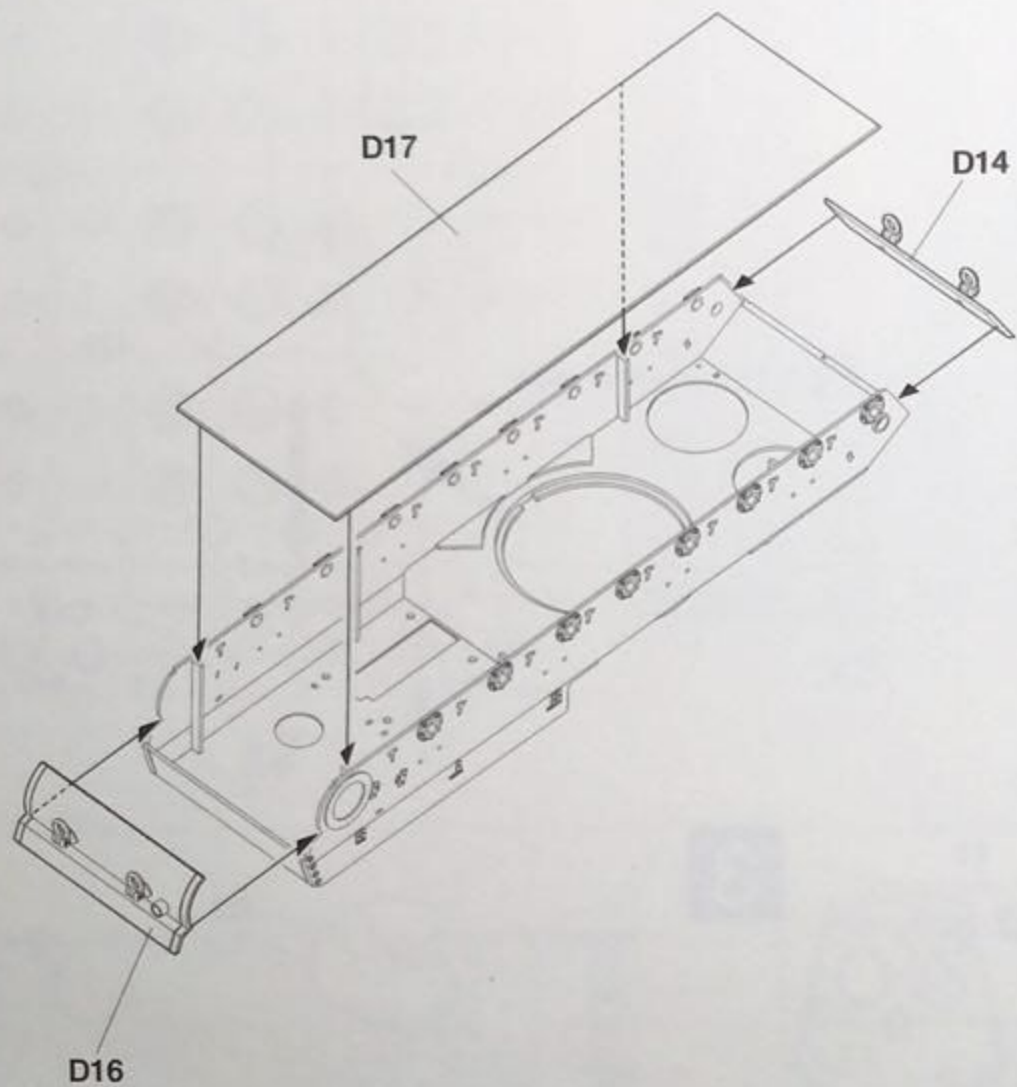


3

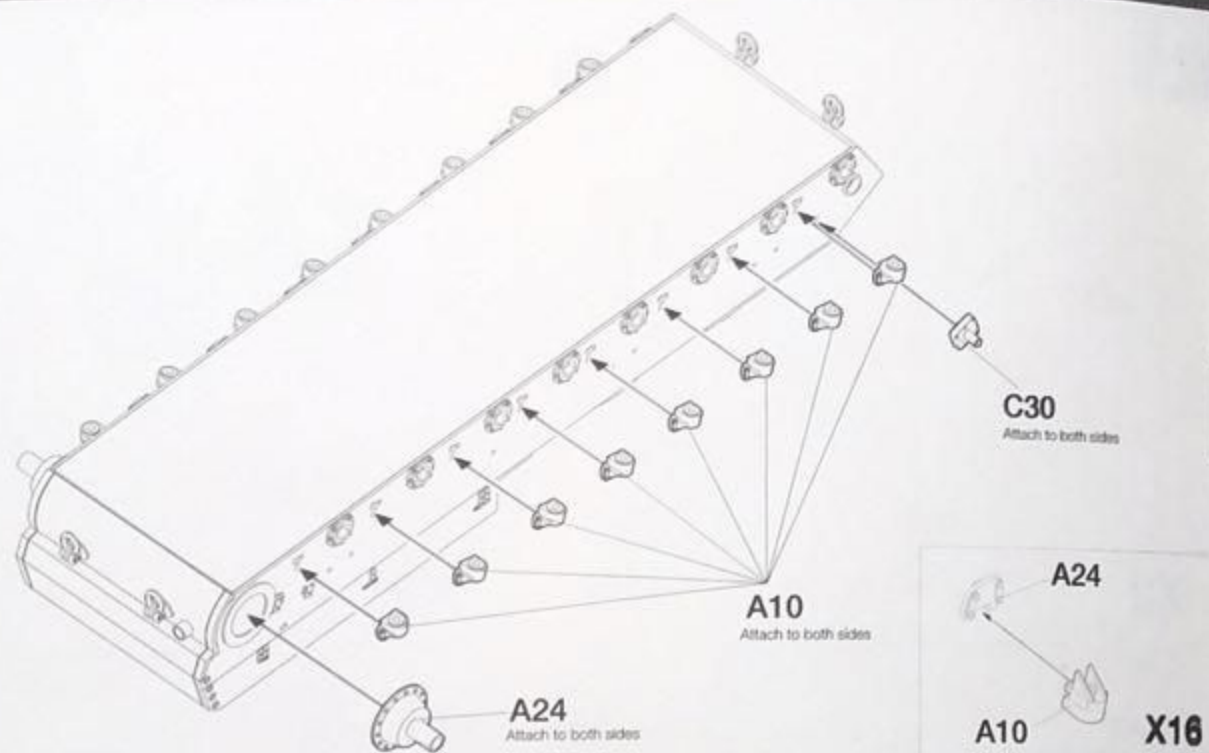
3



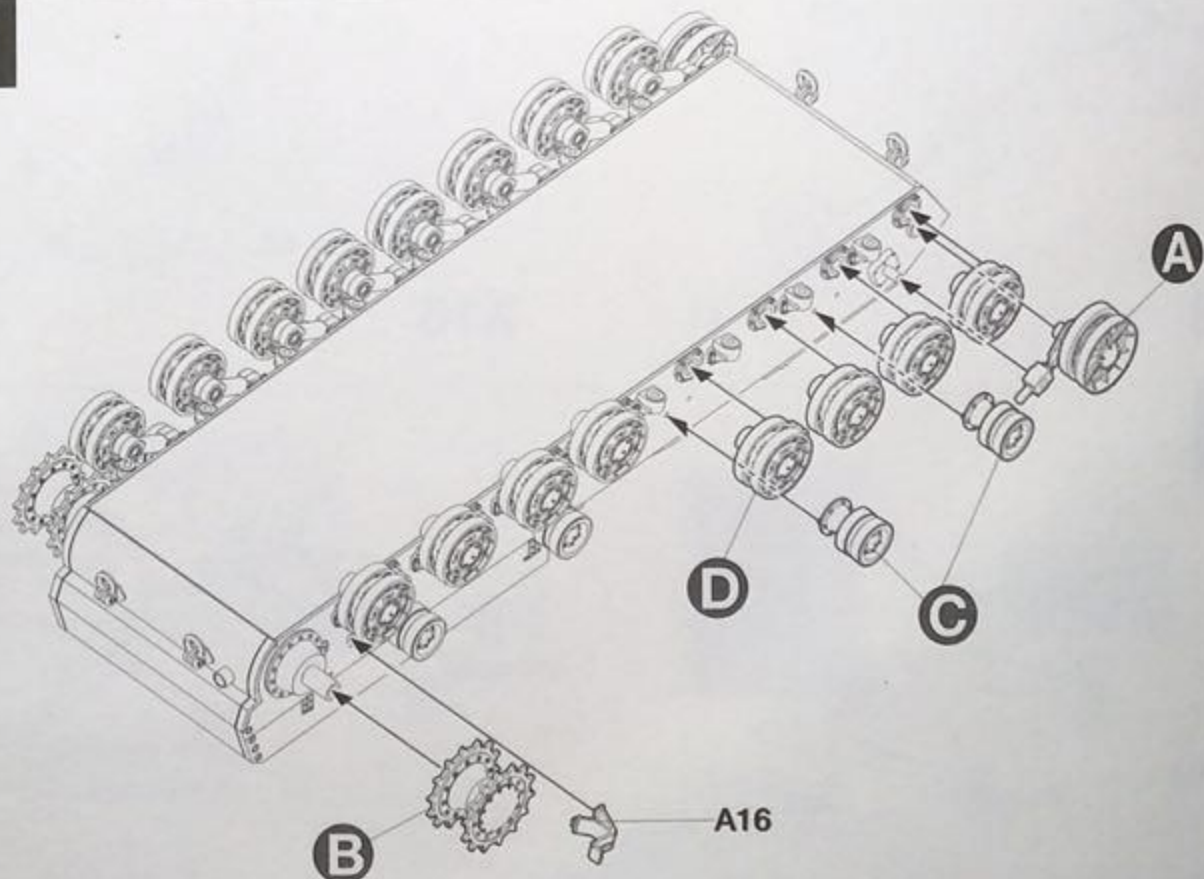
5



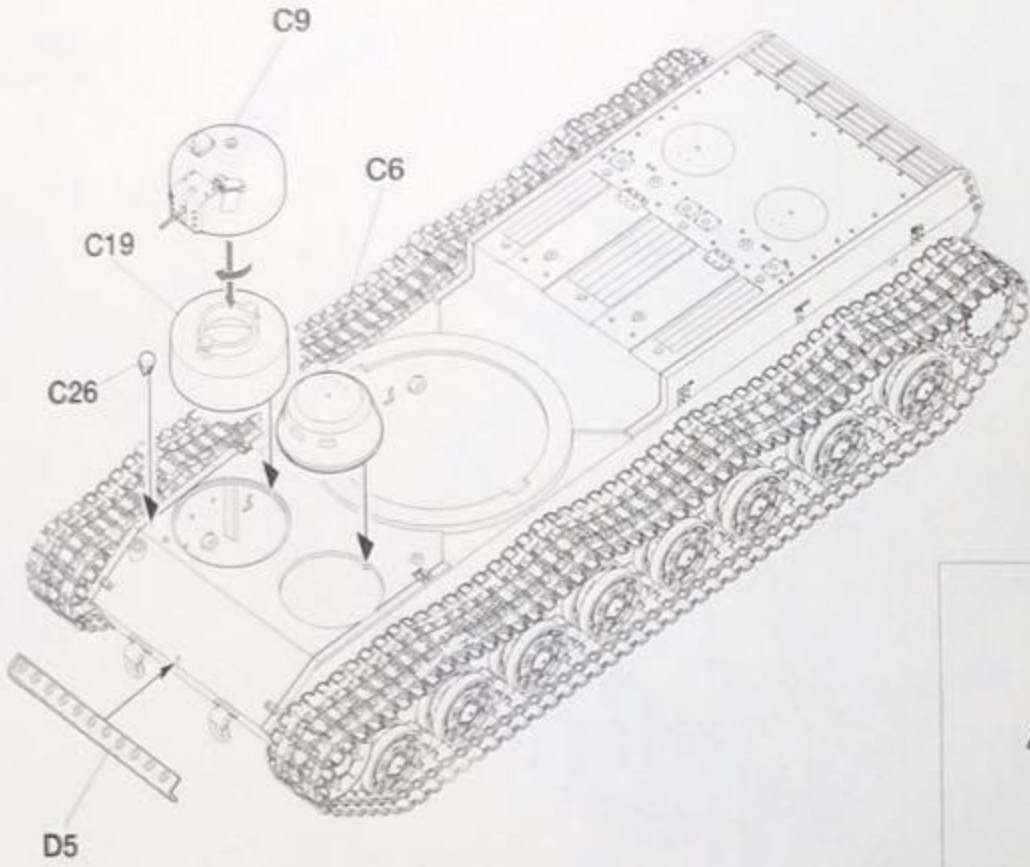
6



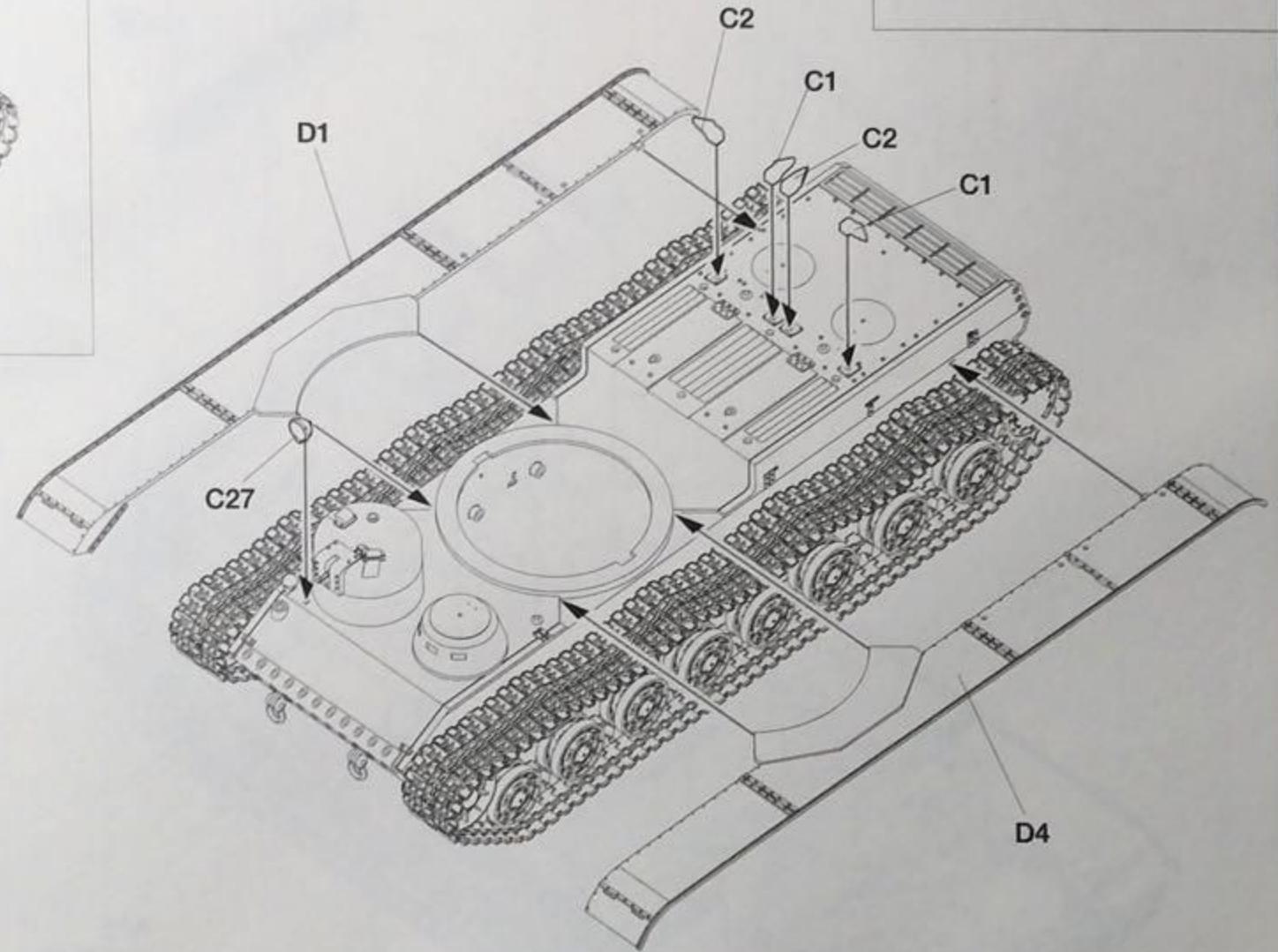
7



9



10

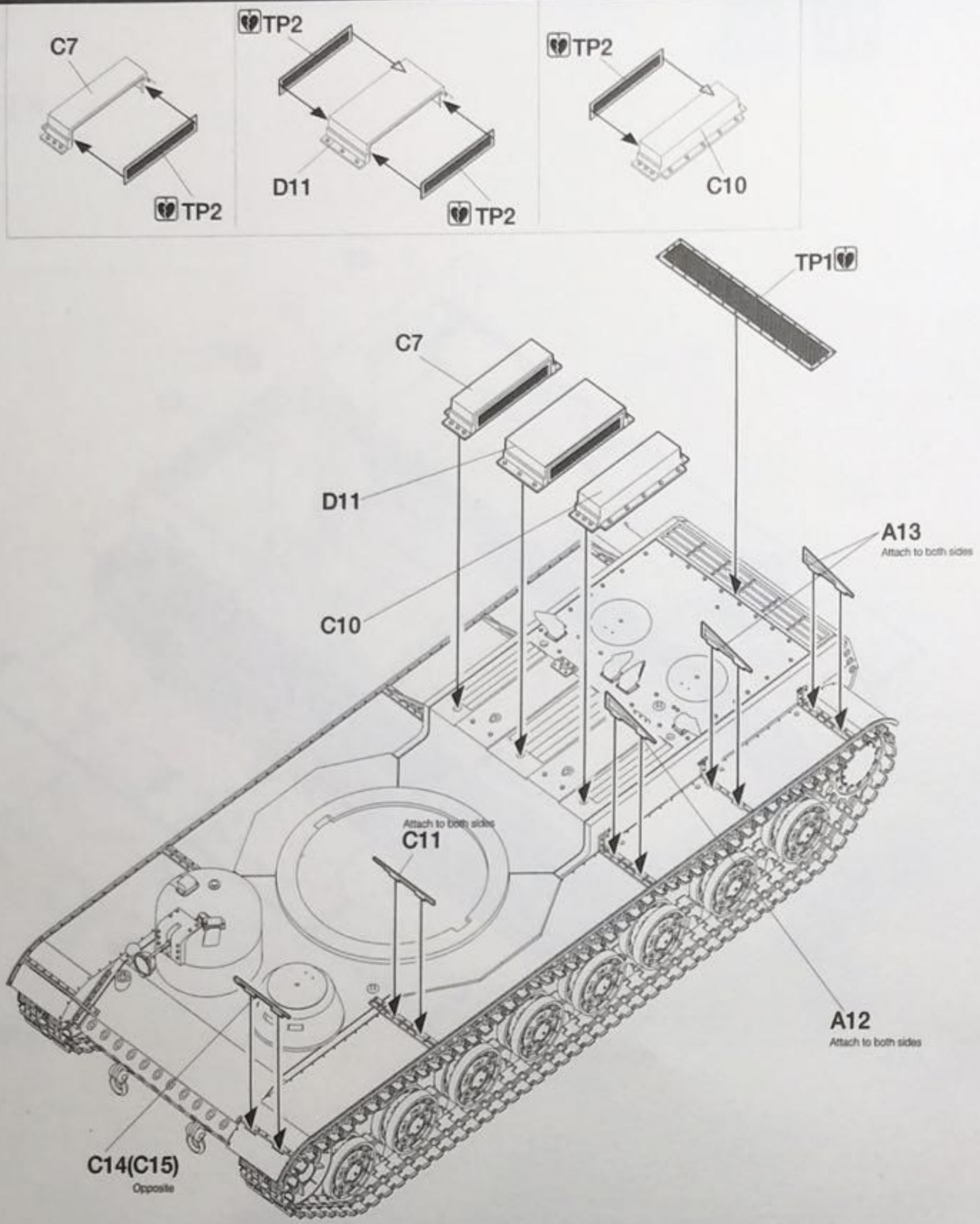


8

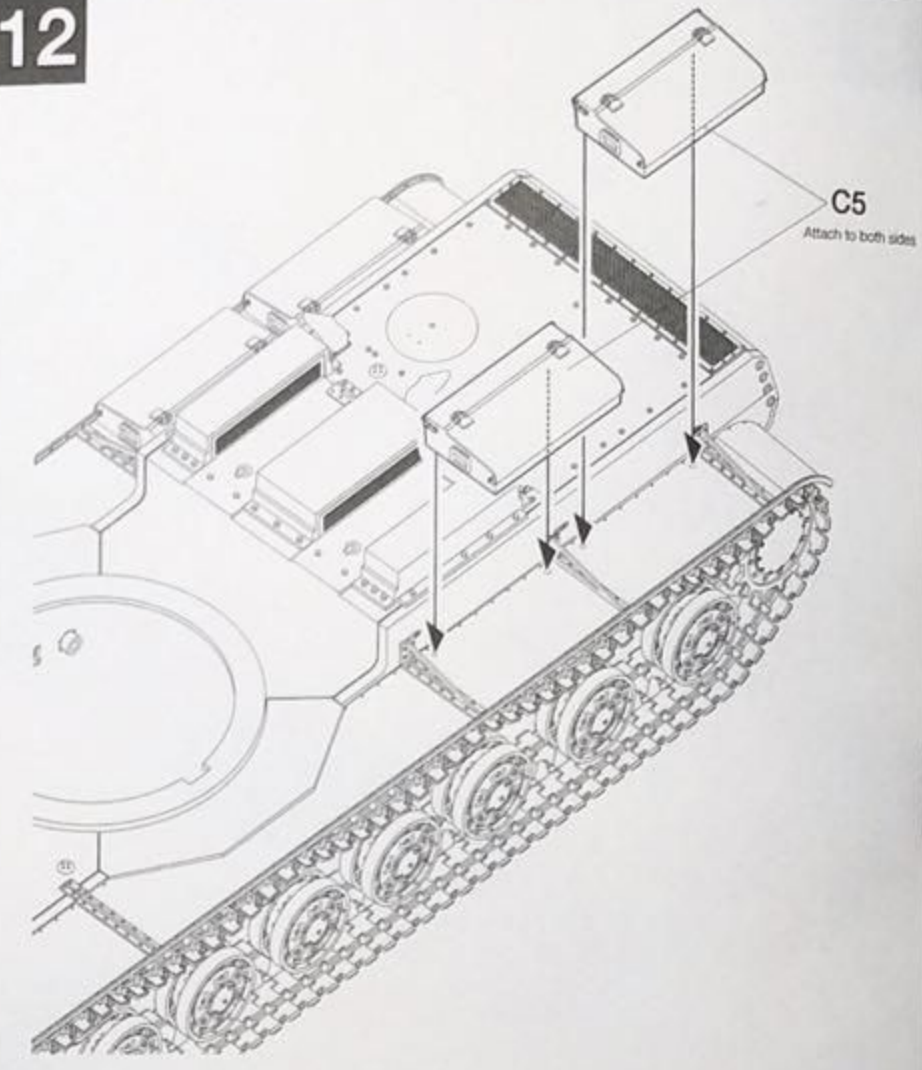


X-10 Gun Metal

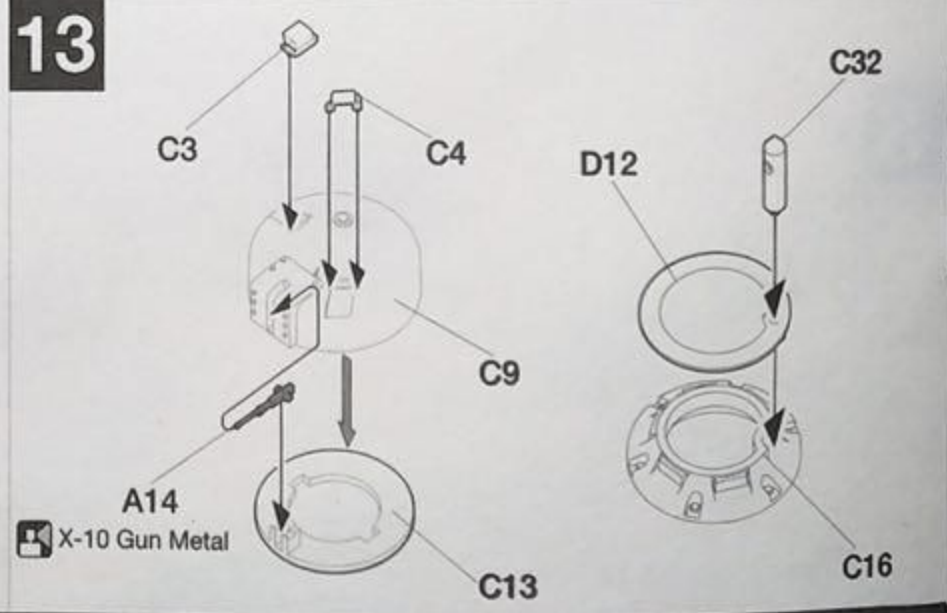
11



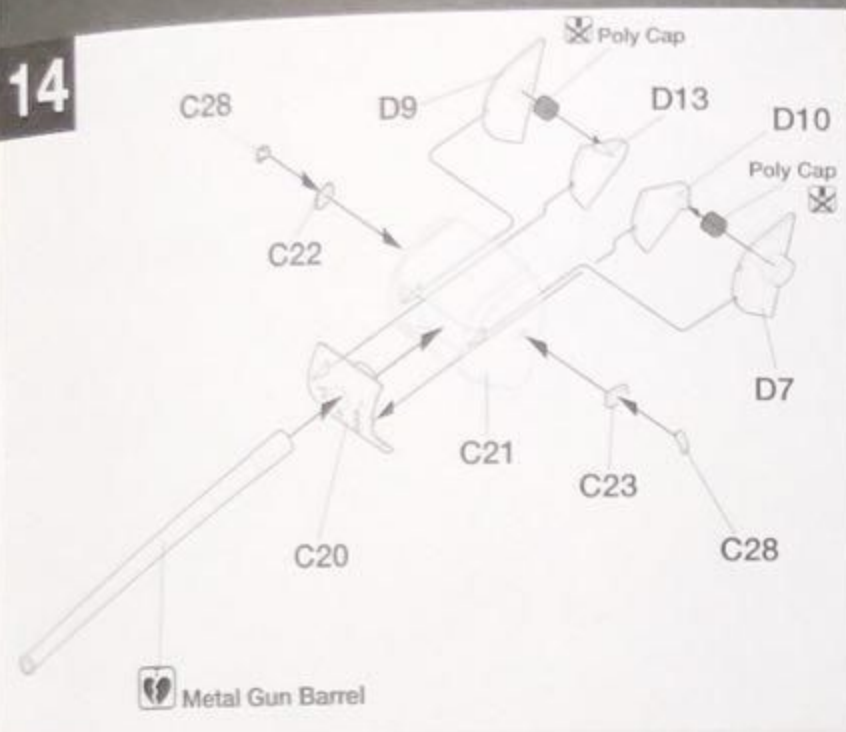
12



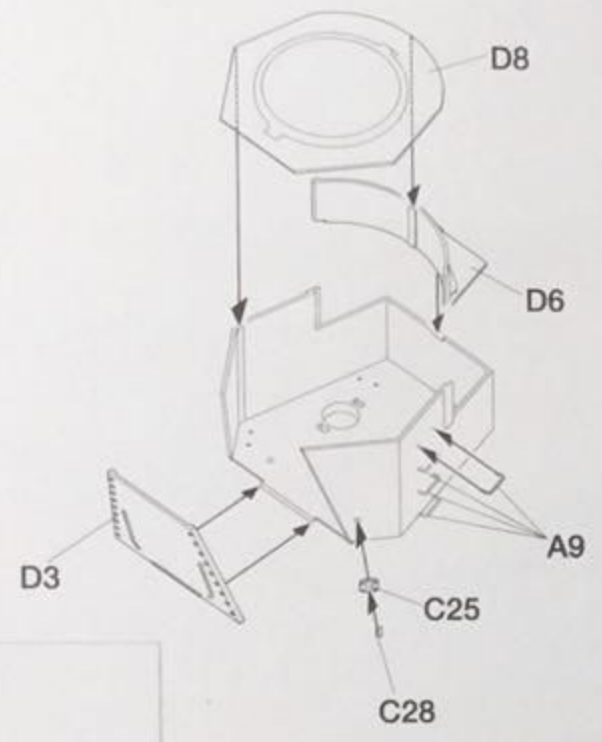
13



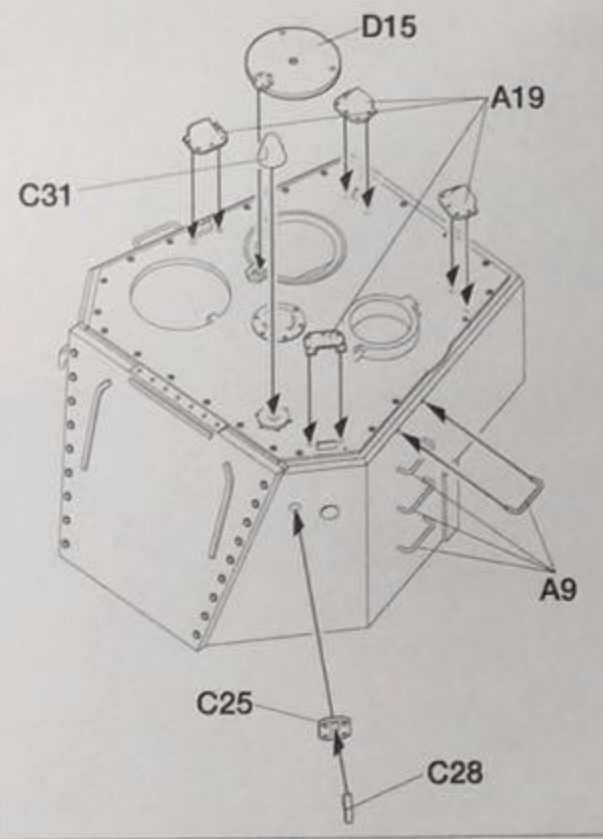
14



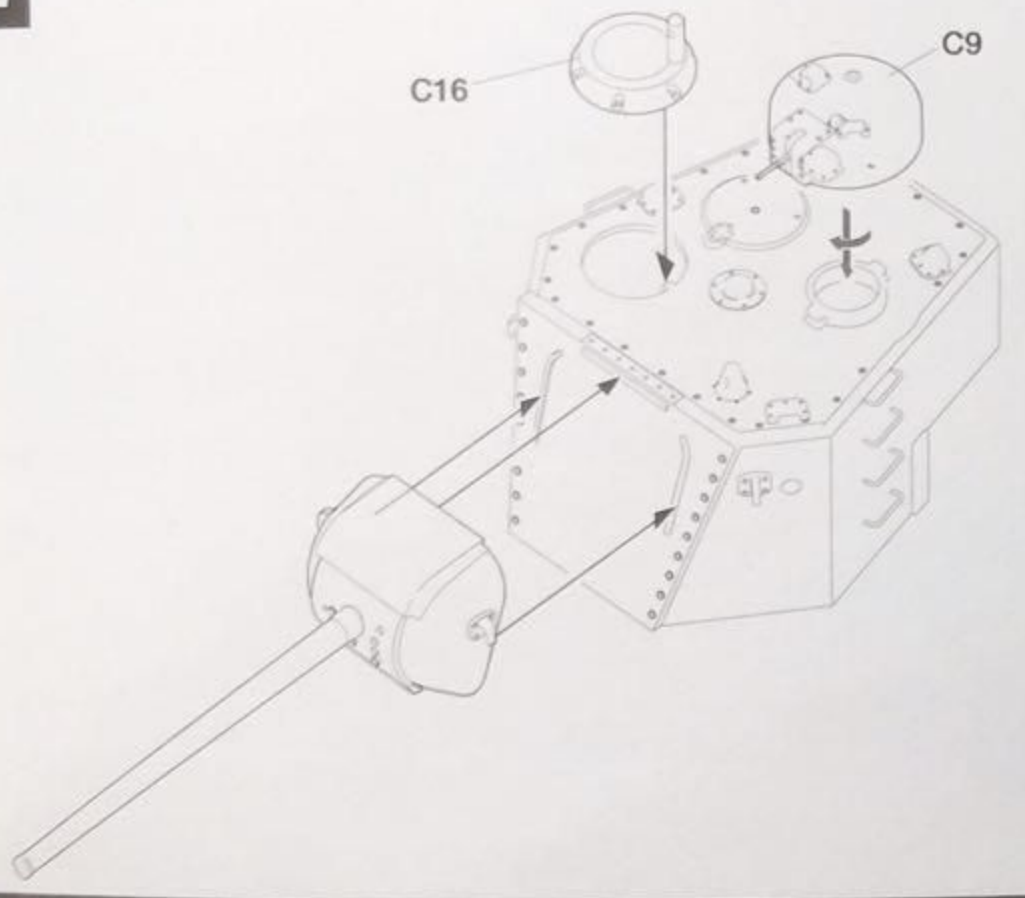
15



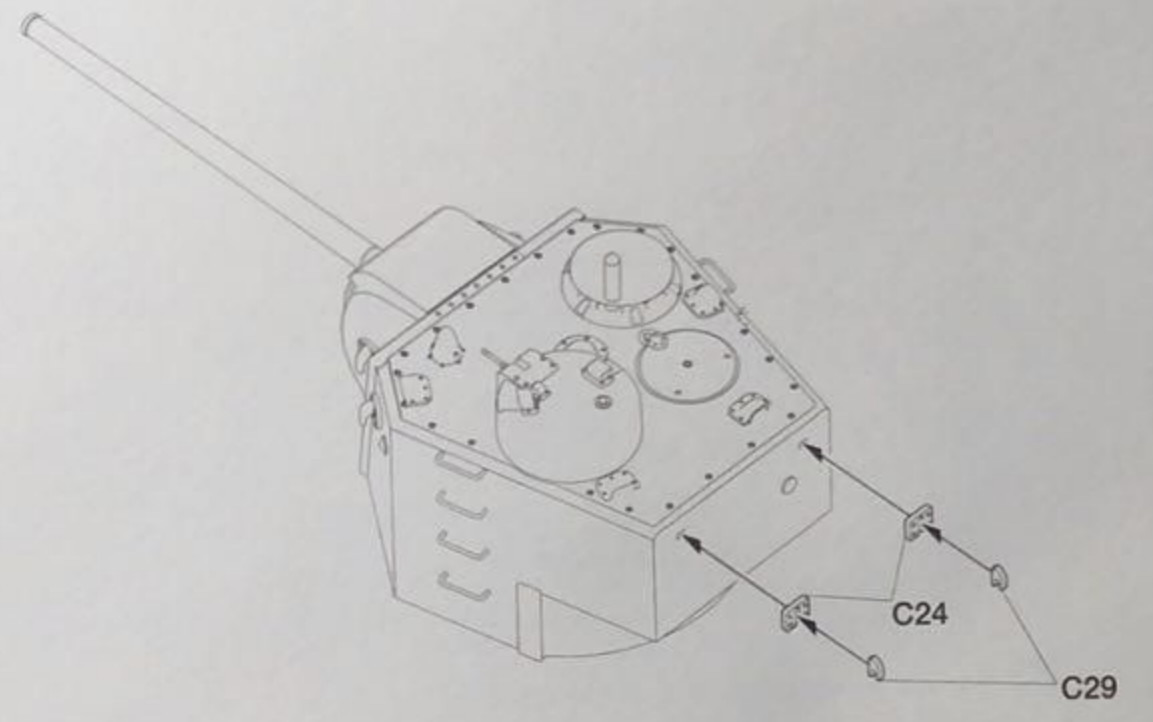
16

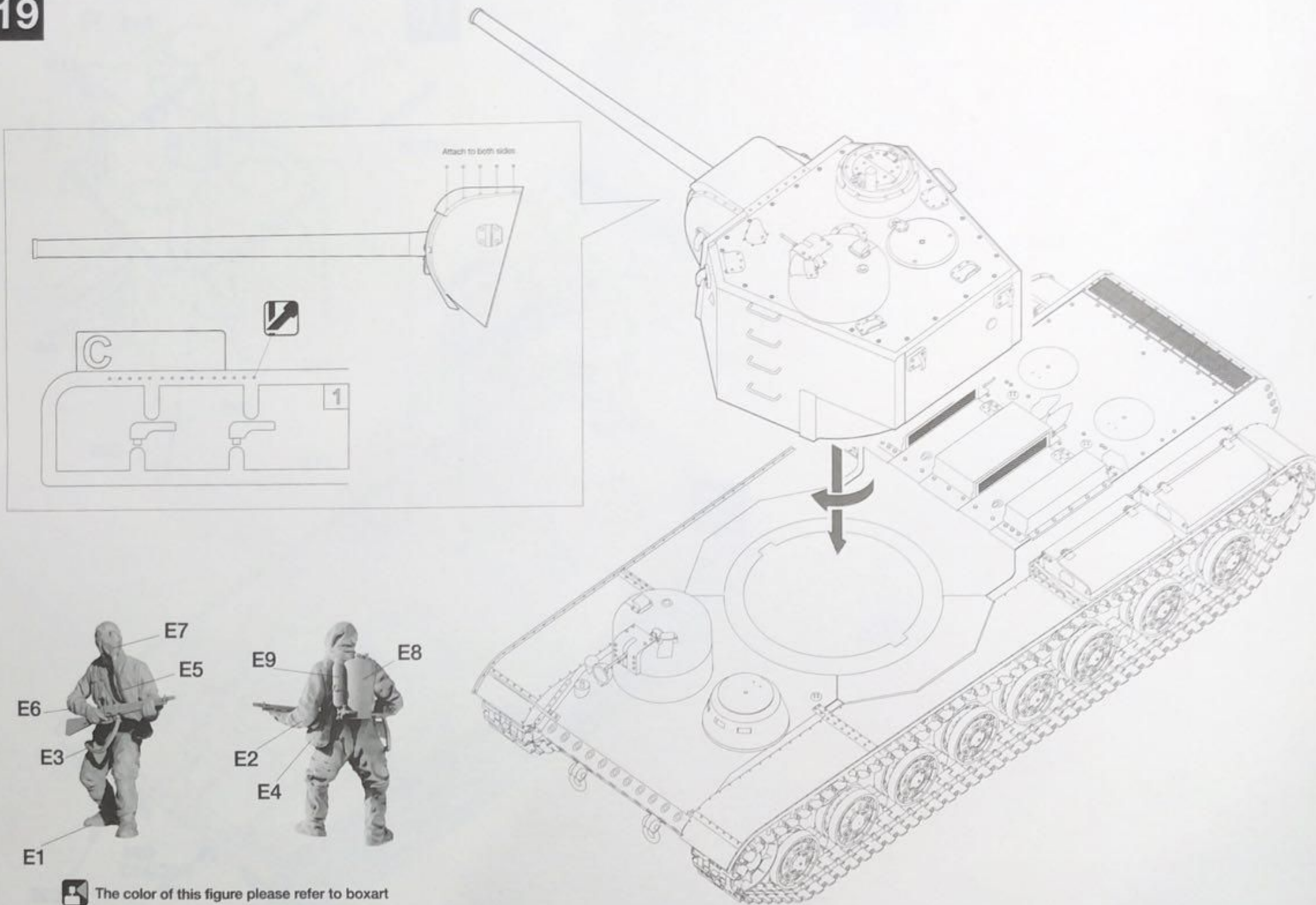


17



18





MARKING & PAINTING



A Soviet 2nd Tank Army, Kursk, 1943



- XF-55 Deck Tan
- XF-61 Dark Green
- XF-19 Sky Grey

B Finnish Army, Enso, 1944