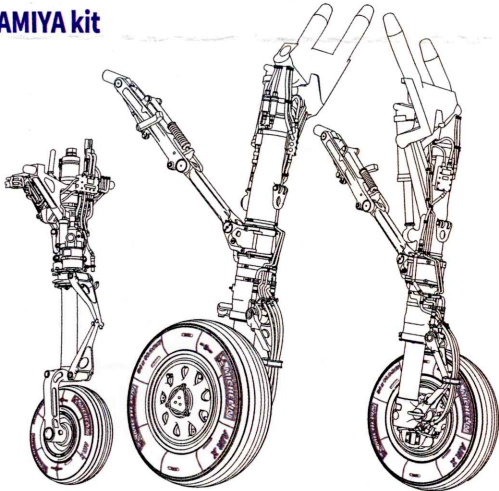




INSTRUCTION:480619

# Highly Detailed 3D Printed F-35B Landing Gear Upgrade Set (Vertical Landing)

For TAMIYA kit



[www.fb.com/DetailWonderStudio](http://www.fb.com/DetailWonderStudio)

## PARTS LIST



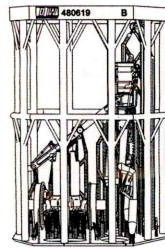
D Part



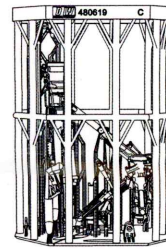
E Part



PE Part



B Part



C Part



Tyre (large) x2



Tyre (small) x1

## METAL PARTS BAG

Stainless Steel pipe

x1 2.0x10mm

x2 2.5x8.2mm

Steel rods

x2 1.2x8mm

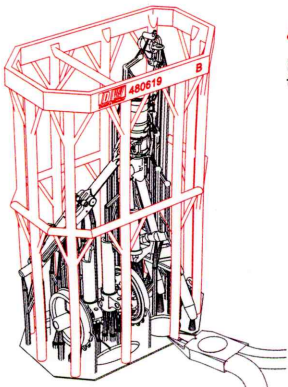
x1 0.8x20mm

x2 1.2x17mm

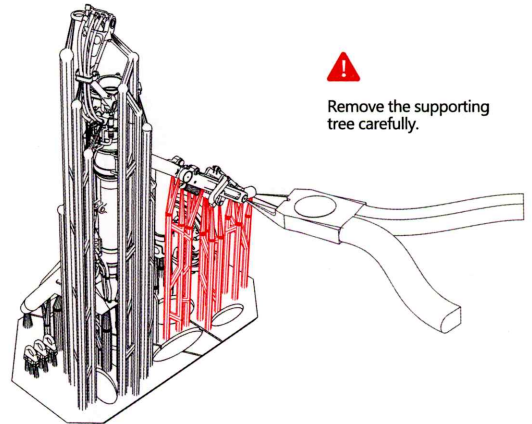
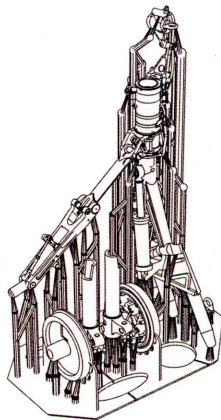


DetailAndWonder

### 1 Prepare the nose landing gear

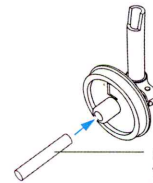
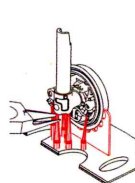
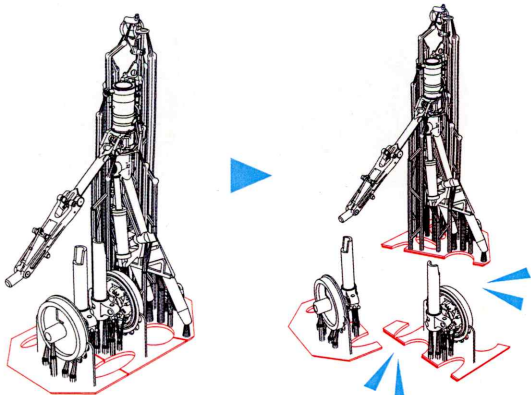


Remove the supporting tree carefully.



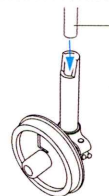
Remove the supporting tree carefully.

### 2 Prepare the nose landing gear



Remove the supporting tree carefully.

1.2x8mm  
Steel rod



1.2x17mm  
Steel rod



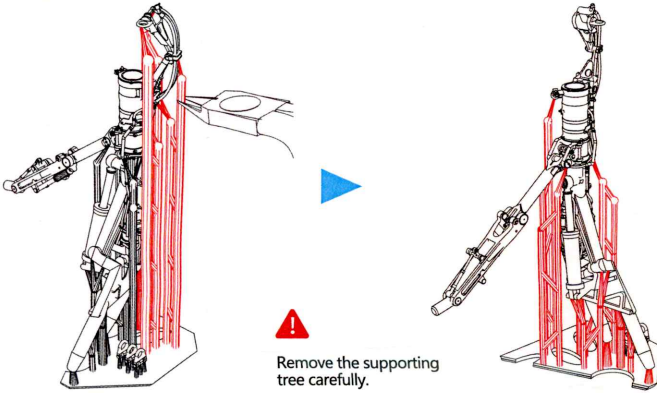
2.5x3mm  
Stainless Steel pipe  
(do not paint).



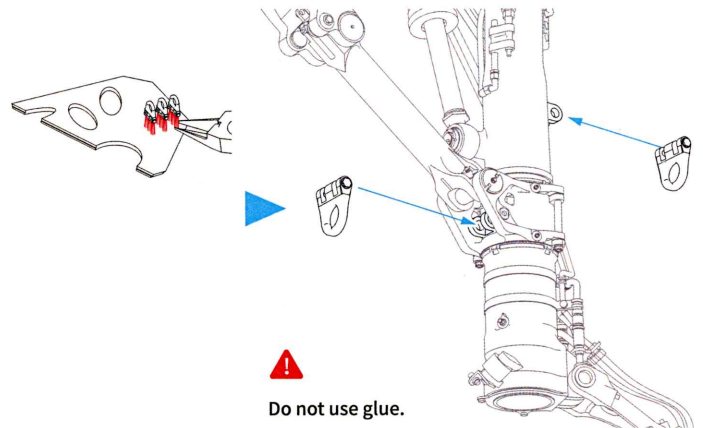
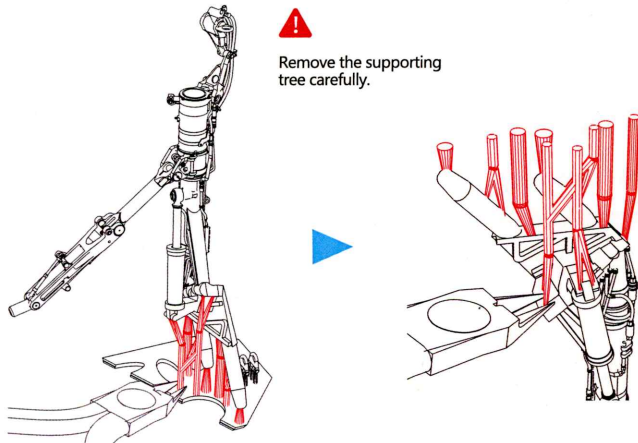
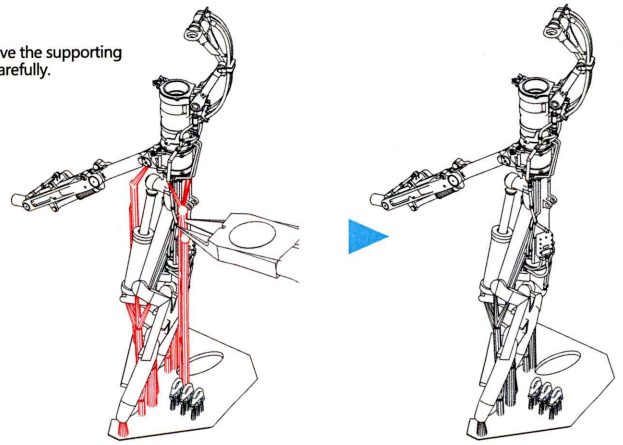
Repeat same process  
for right gear.

The steel rods shall be bonded and reinforced with instant glue.

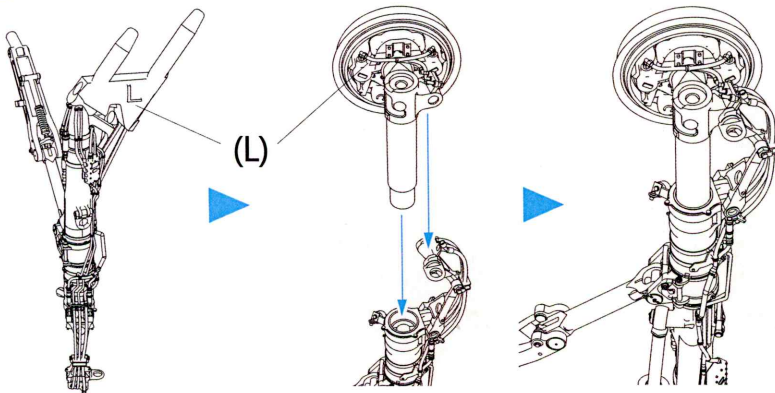
**3 Prepare the nose landing gear**



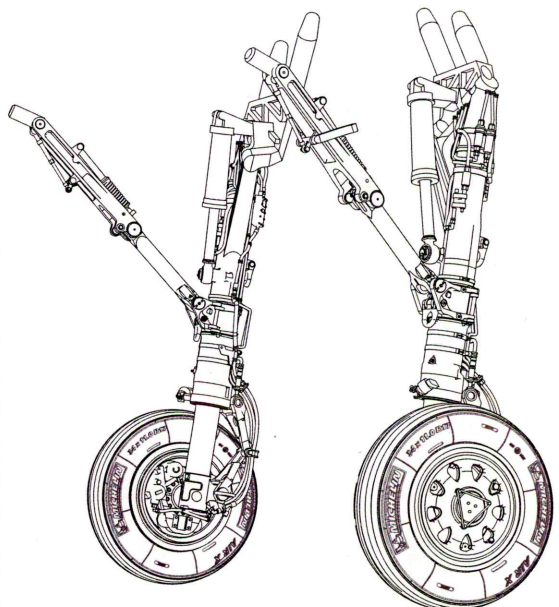
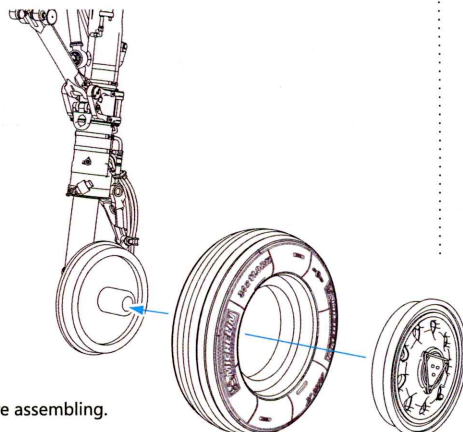
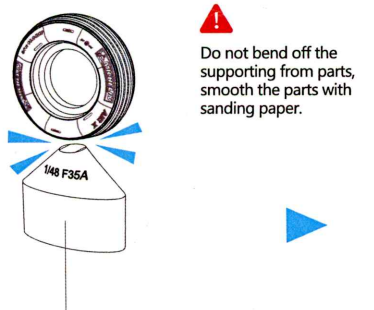
Remove the supporting tree carefully.



**4 Prepare the nose landing gear**



**5 Prepare the nose landing gear**



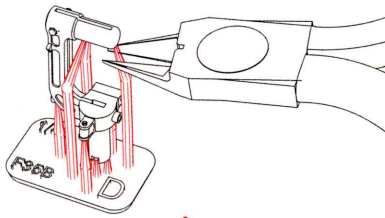
Repeat same process for right gear.

Tyre (large) X 2 We suggest you to paint before assembling.

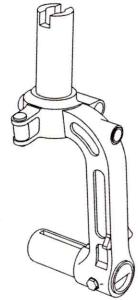
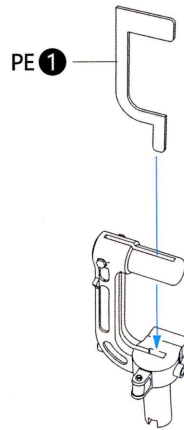
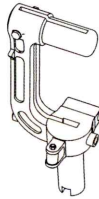
(step 112) in kit 61125



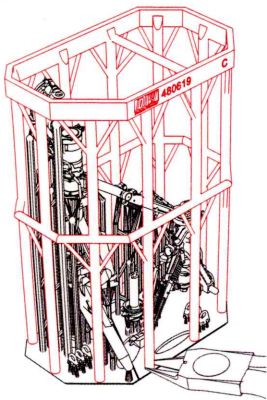
**6** Prepare the main landing gear



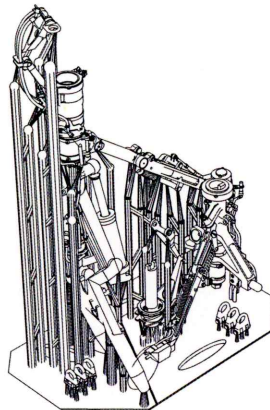
**!**  
Remove the supporting tree carefully.



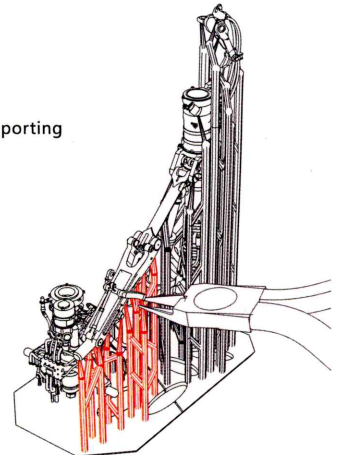
**7** Prepare the main landing gear



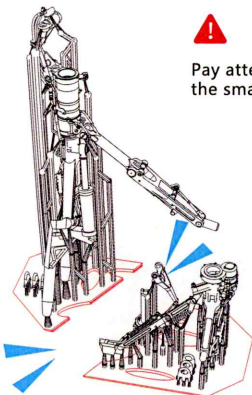
**!**  
Remove the protection cage from the bottom



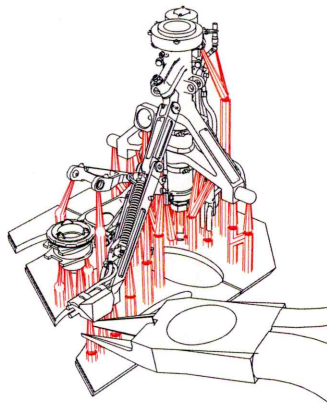
**!**  
Remove the supporting tree carefully.



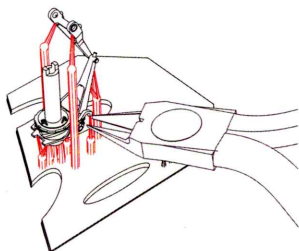
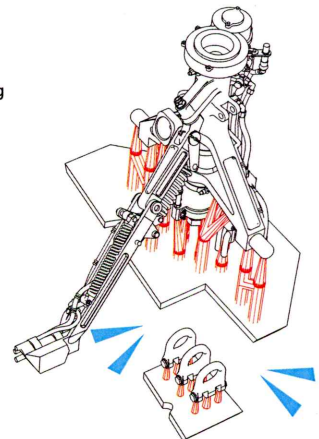
**8** Prepare the main landing gear



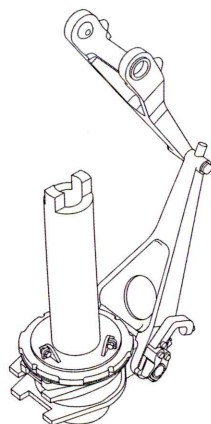
**!**  
Pay attention NOT to damage the small details.



**!**  
Remove the supporting tree carefully.



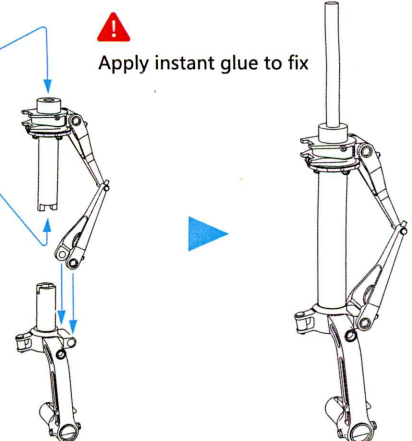
**!**  
Remove the supporting tree carefully.



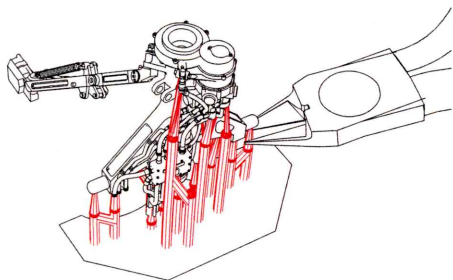
0.8x20mm  
Steel rods

**!**  
Apply instant glue to fix

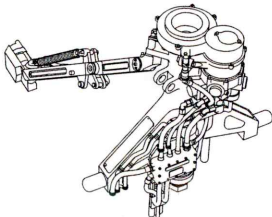
2.0x10mm  
Stainless Steel pipe  
(do not paint).



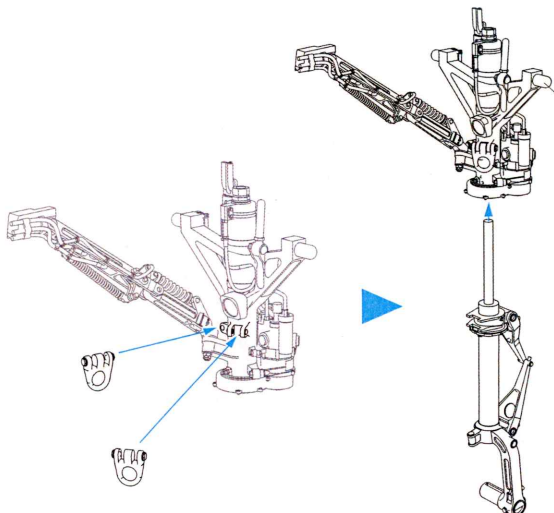
**9 Prepare the main landing gear**



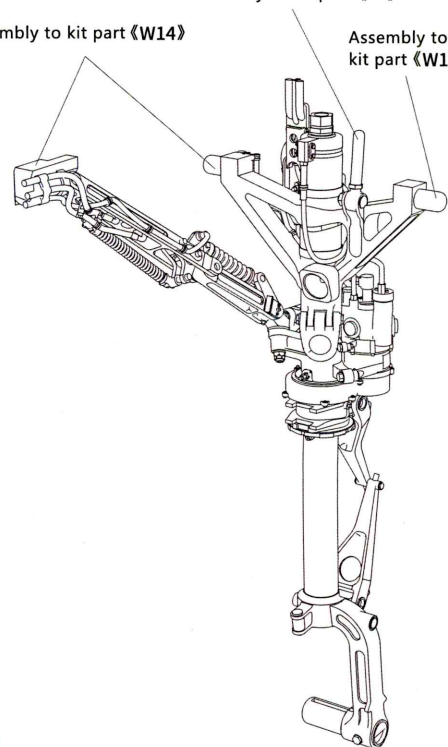
Remove the supporting tree carefully.



Φ1.2mm Nose landing gear axle.  
Enlarge the holes to diameter Φ1.2mm on the kit part «W14» «W15»



Assembly to kit part «E8»  
Assembly to kit part «W14»  
Assembly to kit part «W15»

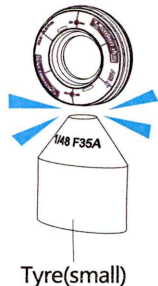


Following the kit instruction for the rest steps of nose landing gear assembling.

**10 Prepare the main landing gear**



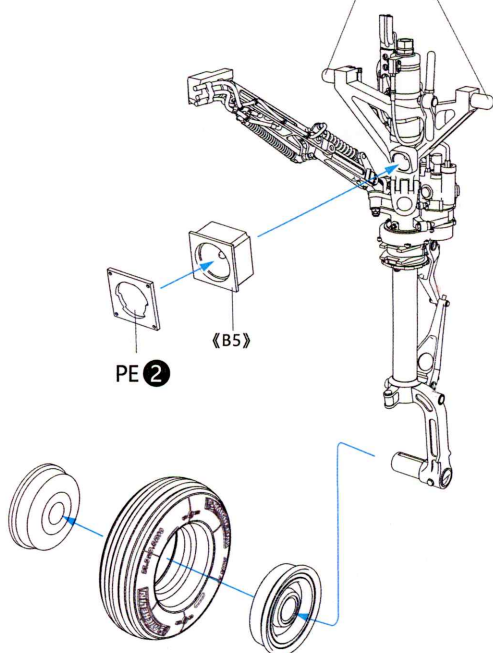
Do not bend off the supporting from parts, smooth the parts with sanding paper.



Tyre (small)

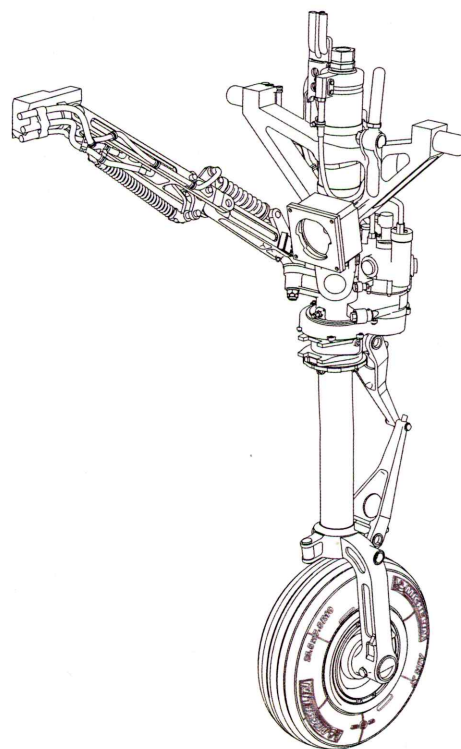


Φ1.2mm Nose landing gear axle.  
Enlarge the holes to diameter Φ1.2mm on the kit part «W14» «W15»



PE 2

«B5»



The original clear parts «B5»