

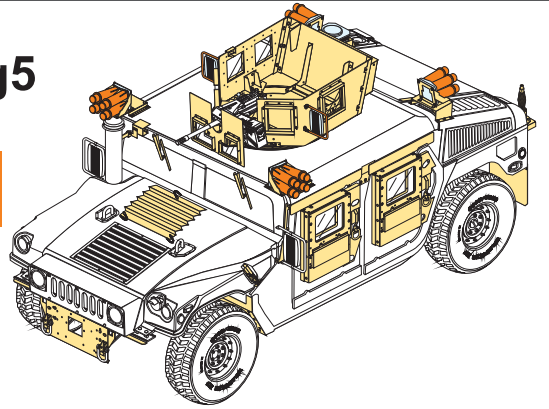
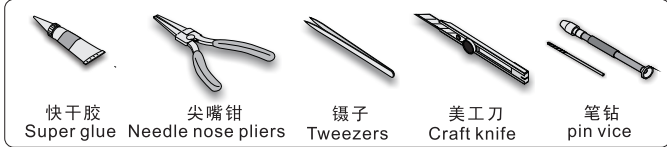
1/35 MILITARY MINIATURE VEHICLE UPGRADE SERIES PE35401

Modern USMC HUMVEE M1114 Frag5 w/CIP&smoke discharger

现代美军悍马 M1114 FRAG5附加装甲型
战术车辆/带车门附加甲/烟幕弹

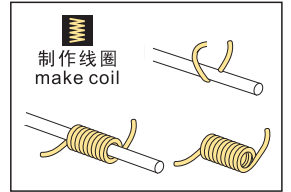
[For Bronco 35080]

■ 推荐使用工具 RECOMMENDED TOOLS



Technical assistance provided by Mr.Ding sen xiang

- ↑
安装
install
- ↙
折叠
bend
- A1**
改造件零件编号
PE/resin part number
- B12**
原零件编号
kit part number
- C22**
被替换的原零件编号
replaced kit part number
- 另一侧相同制作
repeat on opposite side
- 切除
remove
- 打磨
grind off
- 弧度卷曲
radial bending
- x2**
制作若干组
multiple assembly
- 选择安装
alternative
- 钻孔
drill
- 用胶棒制作
make from plastic rod



The main assembly diagrams are organized into several sections:

- Top Row:**
 - a:** Assembly of the seat base and backrest, showing parts G2, G4, G6, G7, G9, G12, G16, G19, and G3.
 - b:** Assembly of the seat backrest, showing parts G2, G4, G6, G7, G10, and G12.
 - c:** Assembly of the seat backrest, showing parts G2, G4, G6, G7, G10, G13, and G4 (x2).
- Middle Row:**
 - d:** Assembly of long vertical rods, showing parts G1, G17, and G18 (x4).
 - e:** Assembly of long vertical rods, showing parts G1, G17, and G11 (x4).
 - f:** Assembly of a bracket, showing part G15 (x4).
 - g:** Assembly of a bracket, showing part G14 (x4).
- Bottom Row:**
 - Left:** Assembly of a bracket, showing part A61.
 - Middle:** Assembly of the vehicle interior, showing parts G8, Z11(Z12), and various brackets (a, b, c).
 - Right:** Assembly of the vehicle door area, showing parts A52, A55, A56, A58, A62, A89(A90), and A2(A1).

Additional notes include "自制 Scratch build" for parts A52, A55, and A56.

1/35 MILITARY MINIATURE VEHICLE UPGRADE SERIES PE35401

h A92, A65, h, j, Z19, h, j

i A23, A7, A41, A42, M5, A8, A9, $\varnothing 0.5$, i

k A25, A76, A30, A93, C18, A88, A81, A53, Ec13, A27, A77, A26, k

m A57, A96, A97(A98), m

n A95, n

o A50, A44, C15, 自制 Scratch build, A69, A54, 菲林 Film, Z30, o, x2 p, q, r, s

t T30(T29), T6(T7), t

u M4, M2, M4, u

v M4, v

w A19, A6, A20, u, v, w

x M4, M2, M4, x

y M4, M5, y, aa, ab

z A10, z

安装示例 Typical installation

用尖端在凹槽处冲压
use penpoint to press on the dent

蚀刻片零件内面向上
Put the part upside down

用笔尖在凹槽处刮
Use penpoint to press on the dent

A24, **A72**, **T17**, **p**, **n**, **s**, **T16**, **k**, **r**, **q**, **t**, **j**, **i**, **m**, **o**

1/35 MILITARY MINIATURE VEHICLE UPGRADE SERIES PE35401

aa ab A47 A70 A33 Ø0.5 A33

T24(T3) A102 W Z

自制 Scratch build A5 A13 T26 ac ad

自制 Scratch build A5 A13 T26 ad

取自其他套件 Obtained from other kits C20 M5 M5

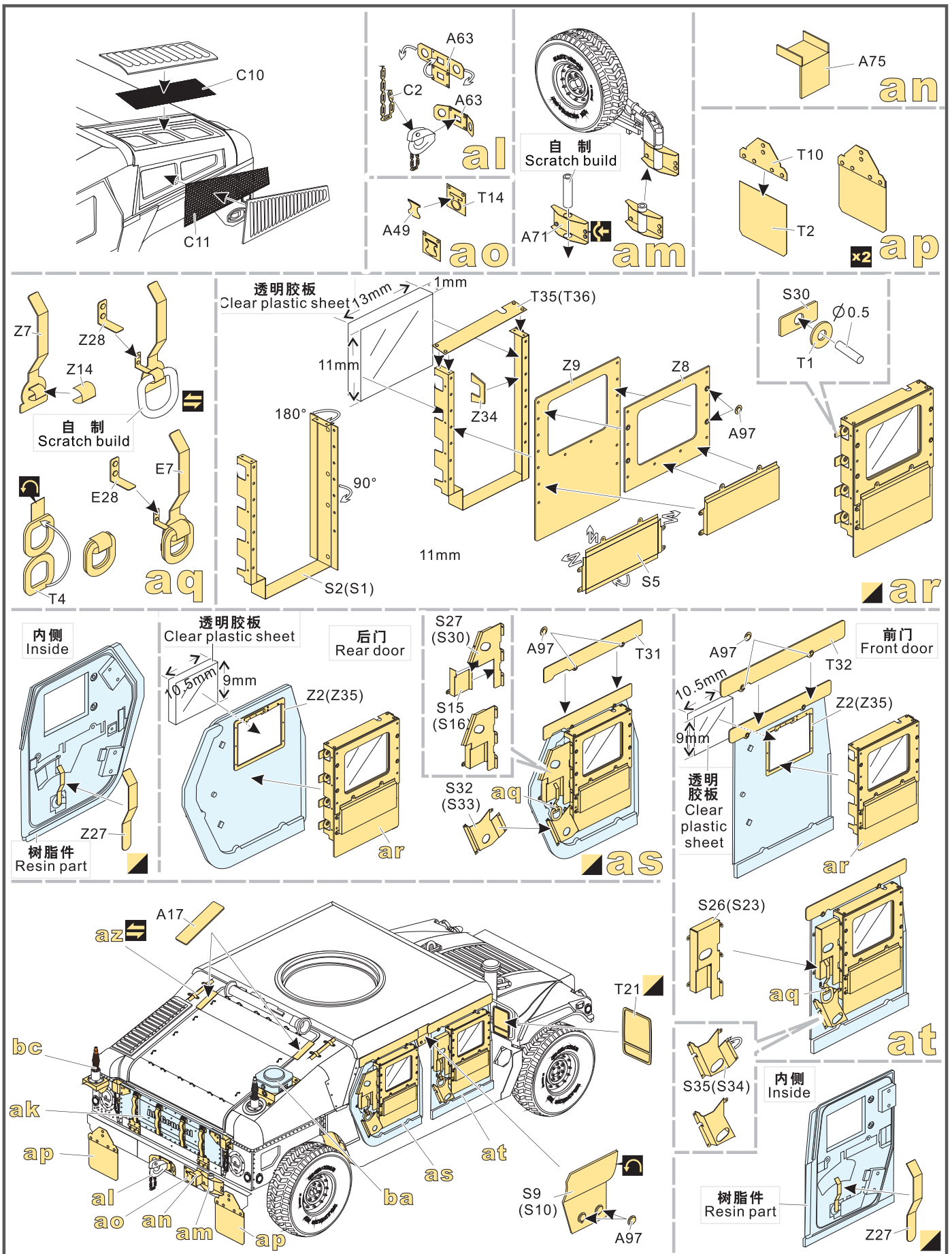
Z17 A35 A36 A85 D24 A86 A85 (A86) Z17 ae

树脂件 Resin part Z35 Z1 A43 M5 C20 M5 M5 af

M2 M3 M3 ag ah A21(A22) A4 C17 ai

Ø0.3 A79 A80 aj af ah ak

1/35 MILITARY MINIATURE VEHICLE UPGRADE SERIES PE35401



1/35 MILITARY MINIATURE VEHICLE UPGRADE SERIES PE35401

金属件 Metal part

树脂件 Resin part

剖面 Cross section

Recommended item

PE 35397	Modern USMC HUMVEE M1114 w/CIP&smoke discharger
VBS0211	Modern US Army HUMVEE carried M2 machine gun (full kit)
PEA230	Modern USMC HUMVEE CIP (2 pcs.)
PEA231	Modern HUMVEE family road wheels w/spare wheel
PEA232	Modern USMC HUMVEE M1114 Space Armour
PEA233	Modern HUMVEE family smoke discharger (16 pcs.)
PEA234	Modern USMC HUMVEE family High back seats w/seat belts (4 pcs.)
PEA235	Modern US Army Duke IED JAMMERS (3 pcs.)
PEA236	Modern US Army HUMVEE carried MK19 (full kit)
PEA240	Modern USMC Rhino Anti IED Device (2 pcs.)
PEA242	Modern US AFV ECM Antenna set (2 pcs.)
PEA245	HUMVEE/DUMVEE family Super Swaper wheels w/spare wheel

1/35 MILITARY MINIATURE VEHICLE UPGRADE SERIES PE35401

自制垫圈
Make rubber cushion
With plastic sheet

自行调整和枪塔相关的塑料件
Adjust/modify parts related to turret mount ring
to achieve proper fit

bj

bk

bn

剖面
Cross section

树脂件
Resin part

自制
Scratch build

bp

bq

bu

bs

bt

br

bu

1/35 MILITARY MINIATURE VEHICLE UPGRADE SERIES PE35401

