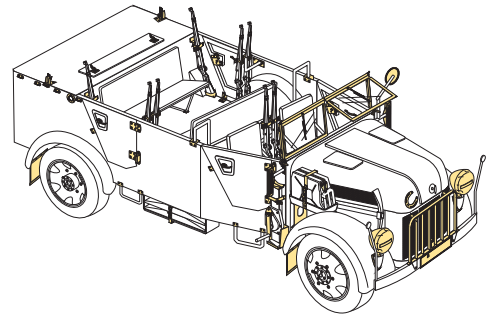


1/35 MILITARY MINIATURE VEHICLE UPGRADE SERIES PE35390

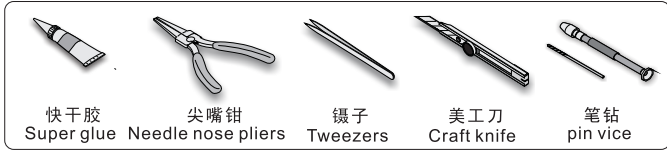
WWII German Steyr 1500A/01

二战德军斯泰尔1500A/01军用车

[For TAMIYA 35225/35305]



■ 推荐使用工具 RECOMMENDED TOOLS



- 安装
install
- 折叠
bend
- A1**
改造件零件编号
PE/resin part number
- B12**
原零件编号
kit part number
- C22**
被替换的原零件编号
replaced kit part number
- 另一侧相同制作
repeat on opposite side
- 切除
remove
- 打磨
grind off
- 弧度卷曲
radial bending
- x2**
制作若干组
multiple assembly
- 选择安装
alternative
- 注意
caution
- 用胶棒制作
make from plastic rod

用尖端在凹槽处冲压
use penpoint to press on the dent

蚀刻片零件内朝向上
Put the part upside down
用笔尖在凹槽处刺
Use penpoint to press on the dent

使用制具
Use jig provided

a

树脂件
Resin part

x2 b

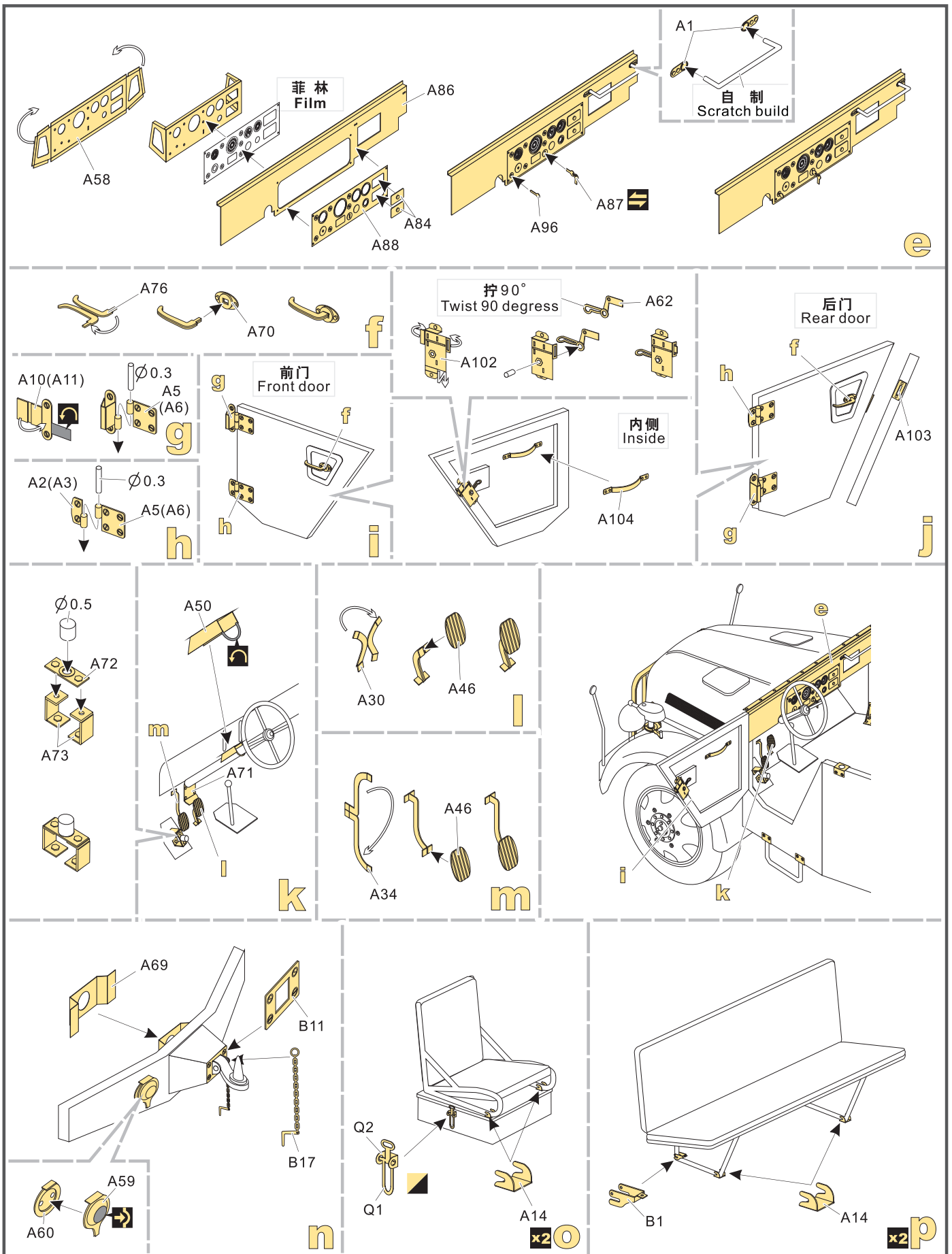
x2 c

菲林
Film

d

剖面
Cross section

1/35 MILITARY MINIATURE VEHICLE UPGRADE SERIES PE35390



1/35 MILITARY MINIATURE VEHICLE UPGRADE SERIES PE35390

取自其他套件
Obtained from other kits

取自其他套件
Obtained from other kits

自制
Scratch build

更多PE35390样品照片参考请扫一扫
MORE PICTUR OF PE 35390
REFERENCE SCAN HERE

<http://www.voyagermodel.com/productdetails.asp?itemid=PE35390>

VOYAGER MODEL

VOYAGERMODEL® 无微不至 极尽享受

Recommended item	
PE 35389	WWII German Steyr 1500A Kommandeurwagen
PEA 208	WWII German 98K Rifle Racks