

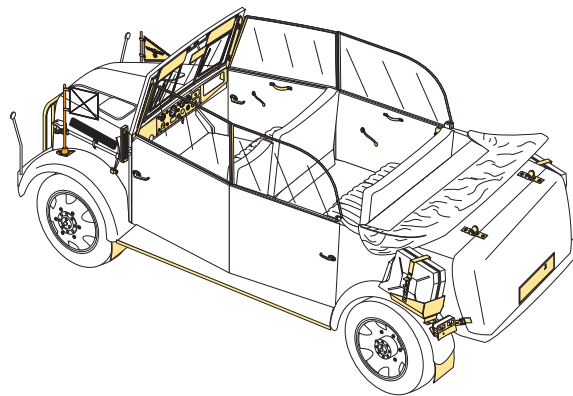
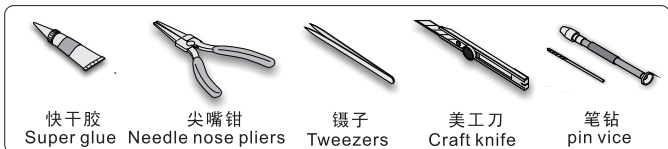
1/35 MILITARY MINIATURE VEHICLE UPGRADE SERIES PE35389


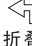







WWII German Steyr 1500A Kommandeurwagen

二战德军斯泰尔1500A军官指挥车

[For TAMIYA 35235]


推荐使用工具 RECOMMENDED TOOLS

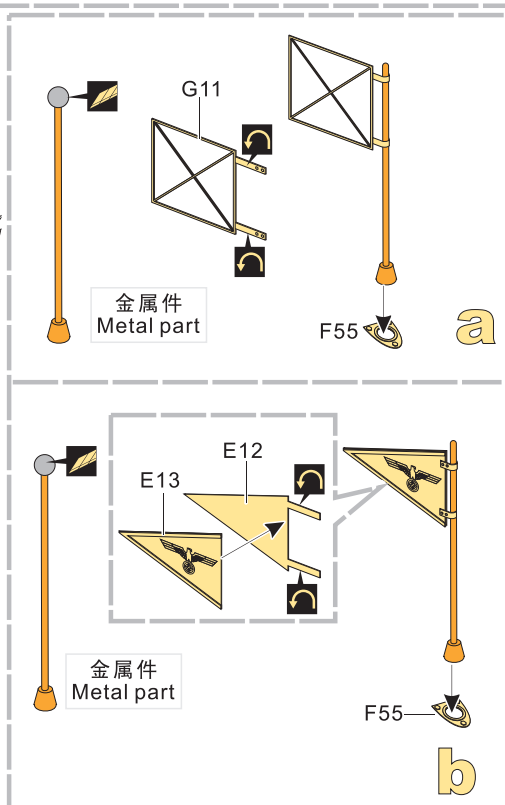
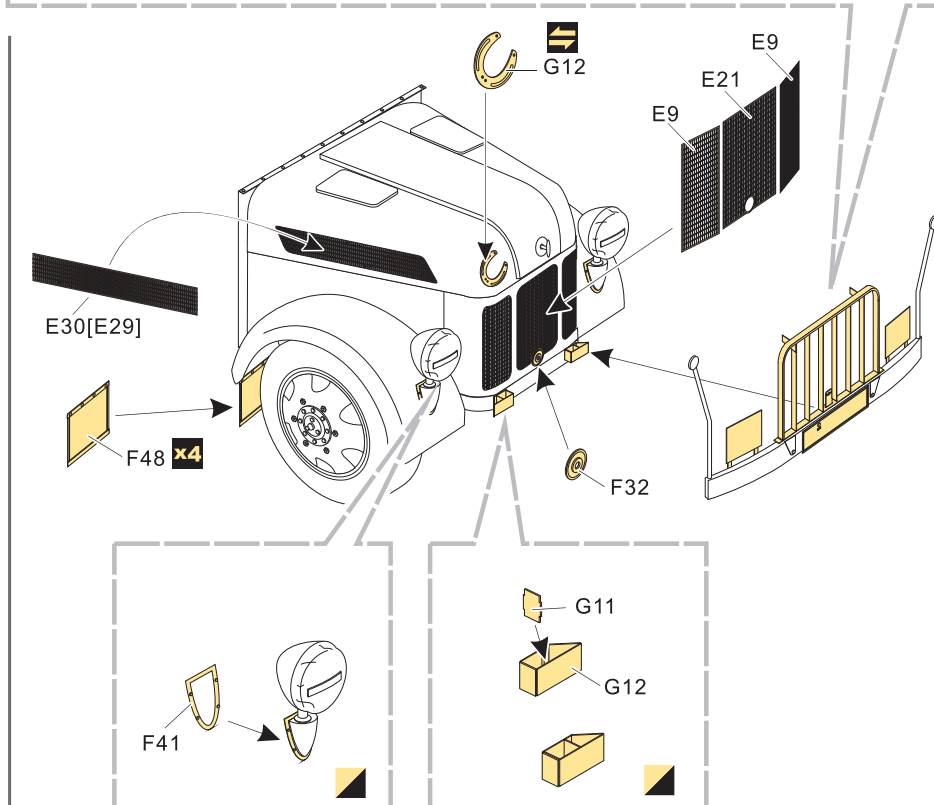
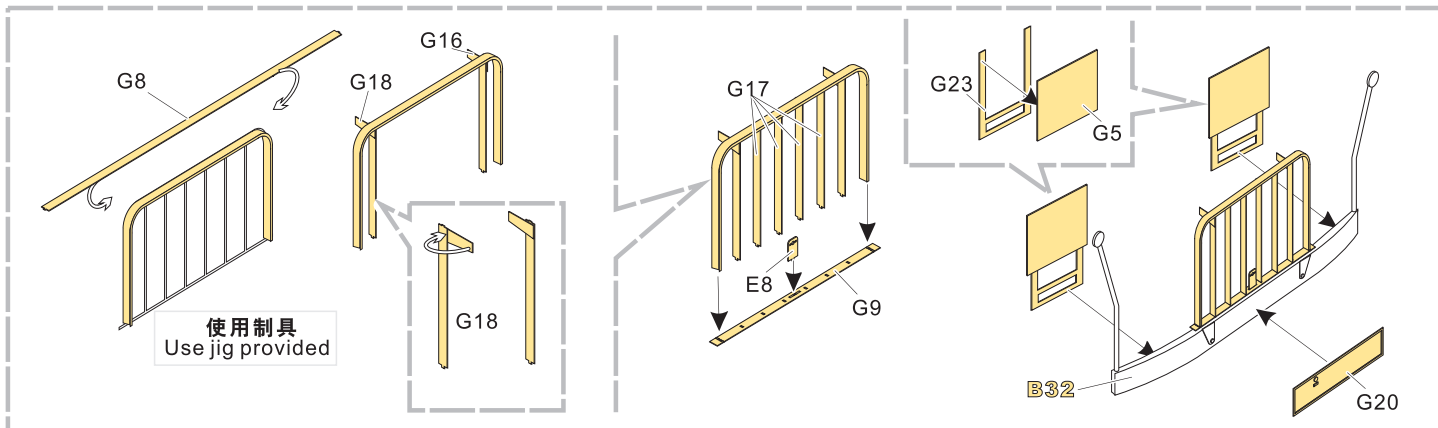
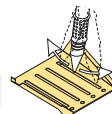


- 
安装
install
- 
折叠
bend
- A1**
改造件零件编号
PE/resin part number
- B12**
原零件编号
kit part number
- C22**
被替换的原零件编号
replaced kit part number
- 
 另一侧相同制作
repeat on opposite side
- 
切除
remove
- 
打磨
grind off
- 
弧度卷曲
radial bending
- x2**
制作若干组
multiple assembly
- 
选择安装
alternative
- 
注意
caution
- 
钻孔
drill

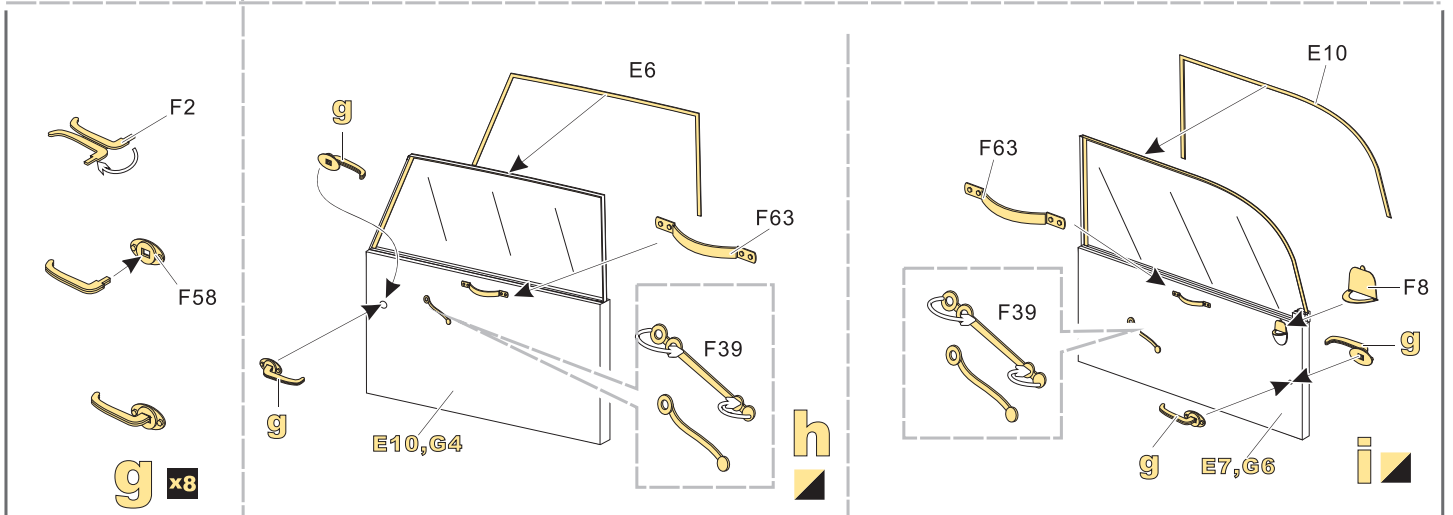
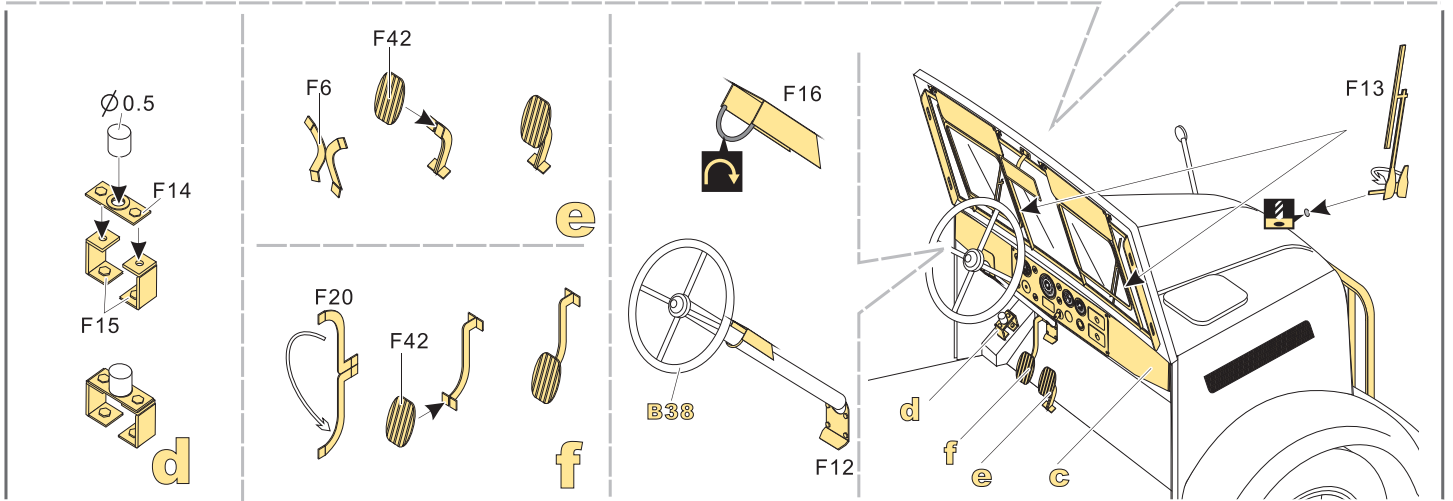
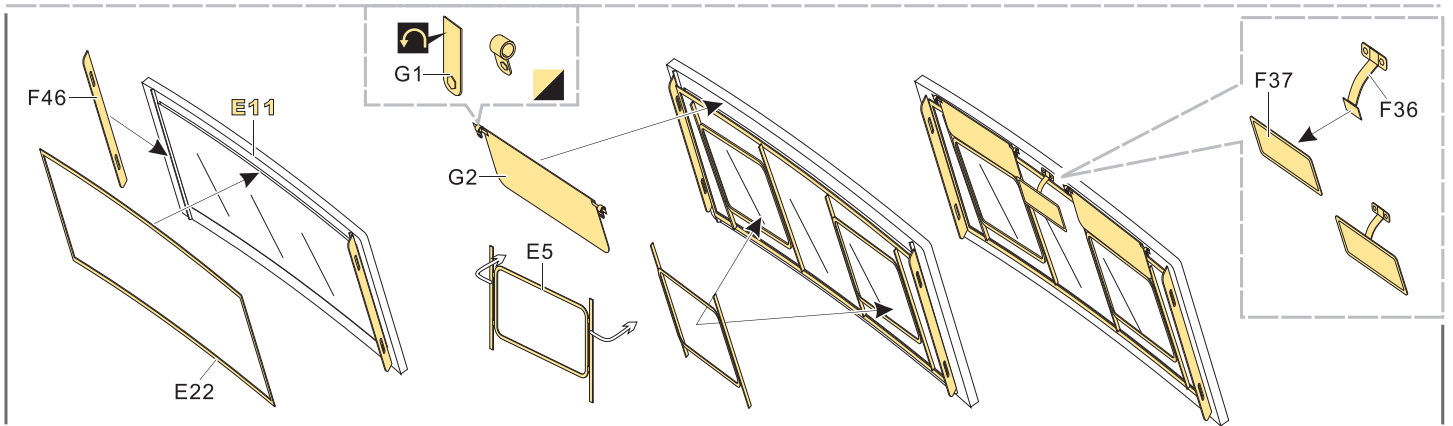
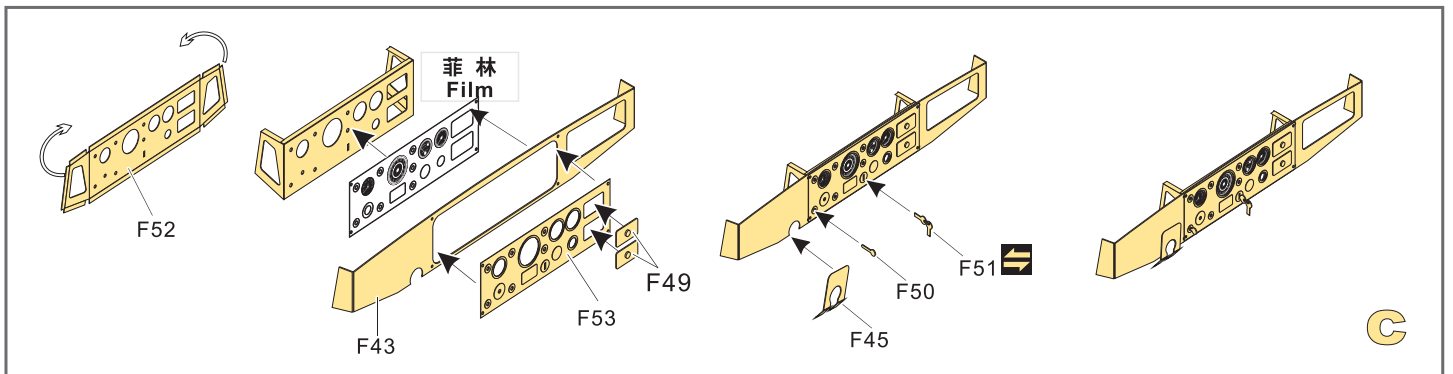
 用尖端在凹槽处冲压
use penpoint to press on the dent

 蚀刻片零件内侧面向上
Put the part upside down

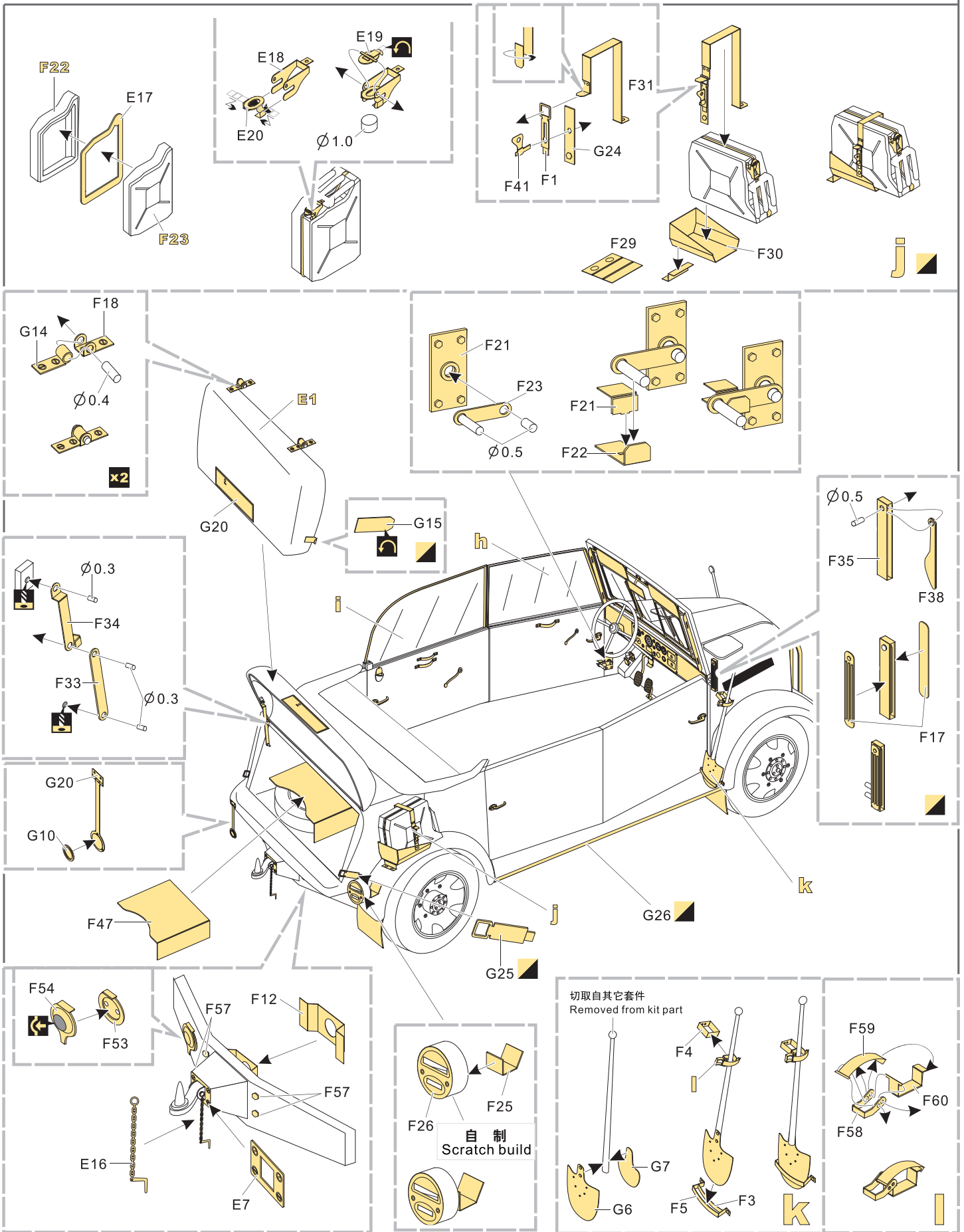
 用笔尖在凹槽处刺
Use penpoint to press on the dent



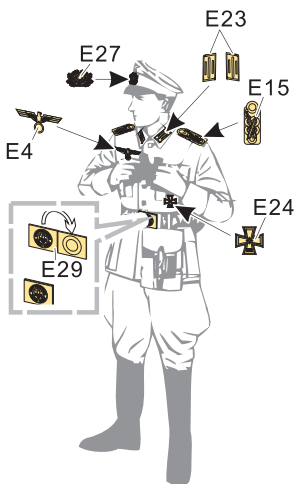
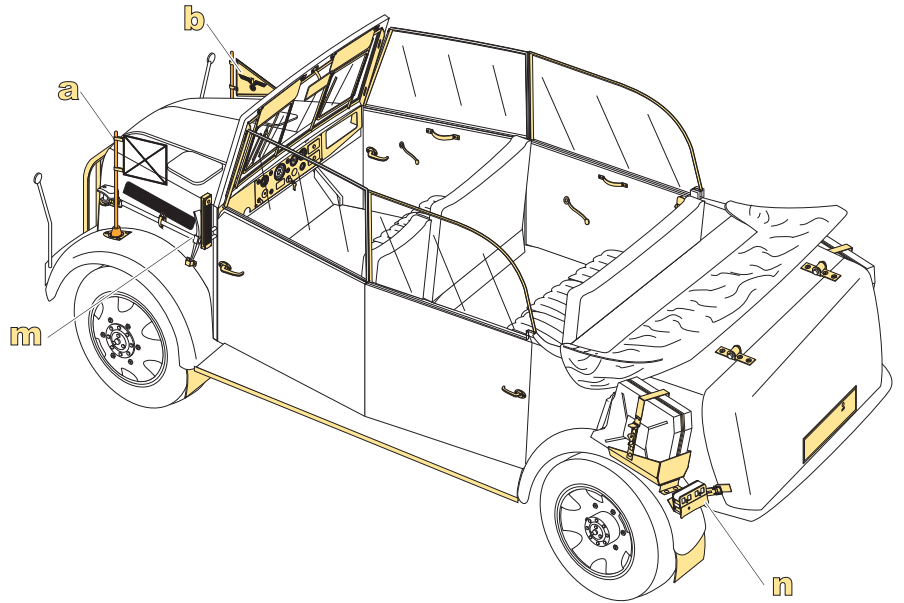
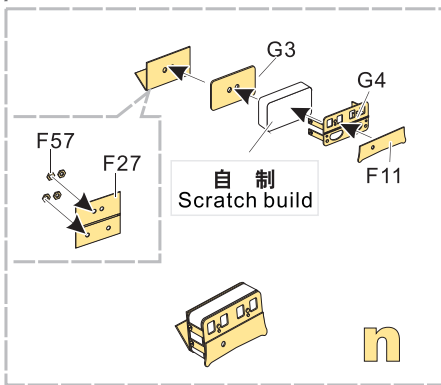
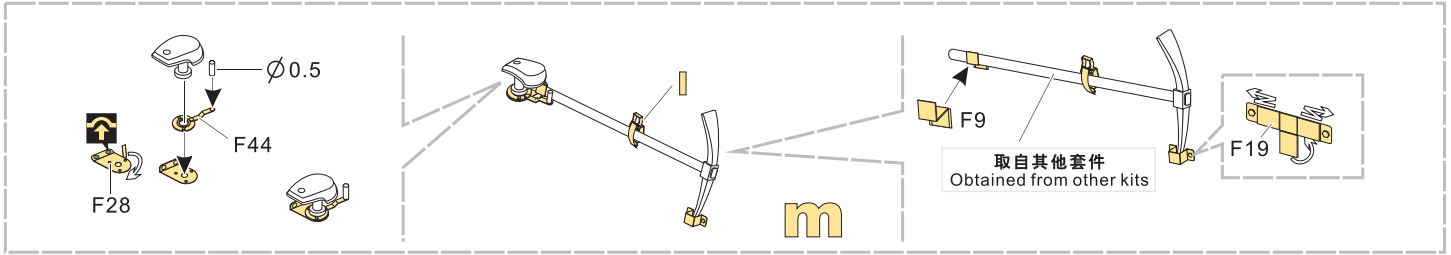
1/35 MILITARY MINIATURE VEHICLE UPGRADE SERIES PE35389



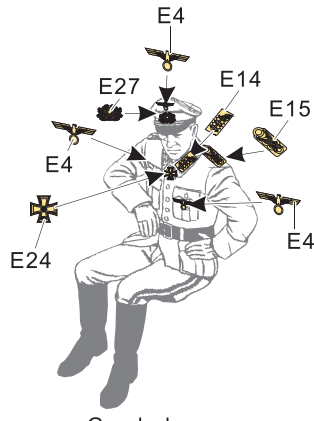
1/35 MILITARY MINIATURE VEHICLE UPGRADE SERIES PE35389



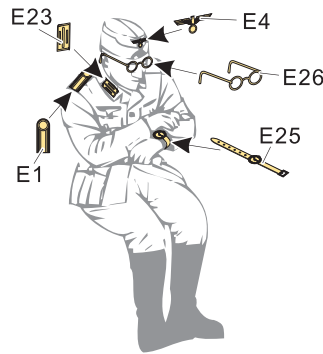
1/35 MILITARY MINIATURE VEHICLE UPGRADE SERIES PE35389



Commander



Gendral



Driver

[Http://www.voyagermodel.com/productdetails.asp?itemid=PE35389](http://www.voyagermodel.com/productdetails.asp?itemid=PE35389)



VOYAGERMODEL



更多PE35389样品照片请参考扫一扫
MORE PICTUER OF PE 35389
REFERENCE SCAN HERE

VOYAGERMODEL® 无微不至 极致享受 The Best Upgrade Solution	
Recommended item	
PE 35033	WWII German ZUNDAPP MOTO
PE 35114	WWII German DKW NZ350 MOTORCYCLE
PE 35194	WWII U.S. Jeep Willys MB
PE 35195	WWII U.S. Jeep Willys MB w/Add Amour
PE 35240	WWII Citroen Traction 11CV Staff Car
PE 35246	WWII German Opel Blitz 3t. 4x2 Cargo Truck /Shallow Cargo Bay
PE 35249	WWII German Kubelwagen Type 82
PE 35256	WWII German Bicycle
PE 35283	WWII German Land-Wasser-Schlepper Amphibious Tractor Mid Production
PE 35299	WWII German Sd.Kfz.7/1 Part 1
PE 35320	WWII German Schwimmwagen Type 166
PE 35335	WWII German Sd.Kfz.7 8t Late Production
PE 35362	WWII German Sd.Kfz.7 8t Half Track Early Version
PE 35390	WWII German Steyr 1500A/01

VOYAGERMODEL® 无微不至 极致享受 The Best Upgrade Solution	
Recommended item	
PEA 108	WWII German Pz.KPfw.III Late Production Damaged Road Wheels
PEA110	WWII German Sd.Kfz.234 Road Wheels Pattern 1
PEA111	WWII German Sd.Kfz.234 Road Wheels Pattern 2
PEA112	WWII German Sd.Kfz.234 Road Wheels Pattern 3
PEA113	WWII German Sd.Kfz.234 Road Wheels Pattern 4
PEA117	WWII German Sd.Kfz.251/Sd.Kfz.11 Road Wheels Pattern 1
PEA118	WWII German Sd.Kfz.7 Road Wheels Pattern 1
PEA143	1WWII German Sd.Kfz.250 Road Wheels patten1
PEA160	WWII German 200L Fuel Drum Covers
PEA161	WWII German 20L Jerry Can Upgrade Set
PEA215	WWII German Sd.Kfz.7 Road Wheels Pattern 2(2pcs.)
PEA216	WWII German Sd.Kfz.7 Road Wheels Pattern 3(2pcs.)
PEA217	WWII German Sd.Kfz.234 Road Wheels Pattern5(4pcs.)
PEA218	WWII German Sd.Kfz.234 Road Wheels Pattern 6(4pcs.)
PEA219	WWII German Sd.Kfz.7 Road canvas covered head lens(2pcs.)