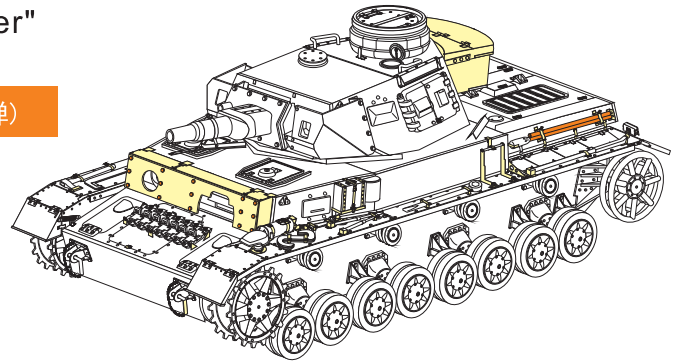


1/35 MILITARY MINIATURE VEHICLE UPGRADE SERIES PE351039

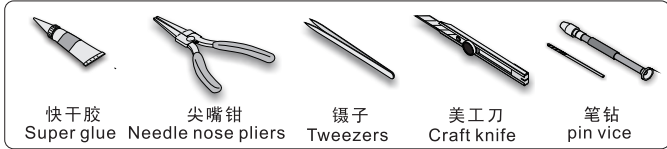
WWII German Pz.Kpfw.IV Ausf.F1 "Vorpanzer" Basic (B ver included Ammo)

二战德军IV号坦克F1重装甲型基本改造件(B版本含炮弹)

[For Border BT-003]



■ 推荐使用工具 RECOMMENDED TOOLS



快干胶 Super glue 尖嘴钳 Needle nose pliers 镊子 Tweezers 美工刀 Craft knife 笔钻 pin vice

↑ 安装 install

↩ 折叠 bend

A1
改造件零件编号
PE/resin part number

B12
原零件编号
kit part number

C22
被替换的原零件编号
replaced kit part number

◀▶ 另一侧相同制作
repeat on opposite side

✂ 切除 remove

🔪 打磨 grind off

🔄 弧度卷曲
radial bending

🔲 x2
制作若干组
multiple assembly

↔ 选择安装
alternative

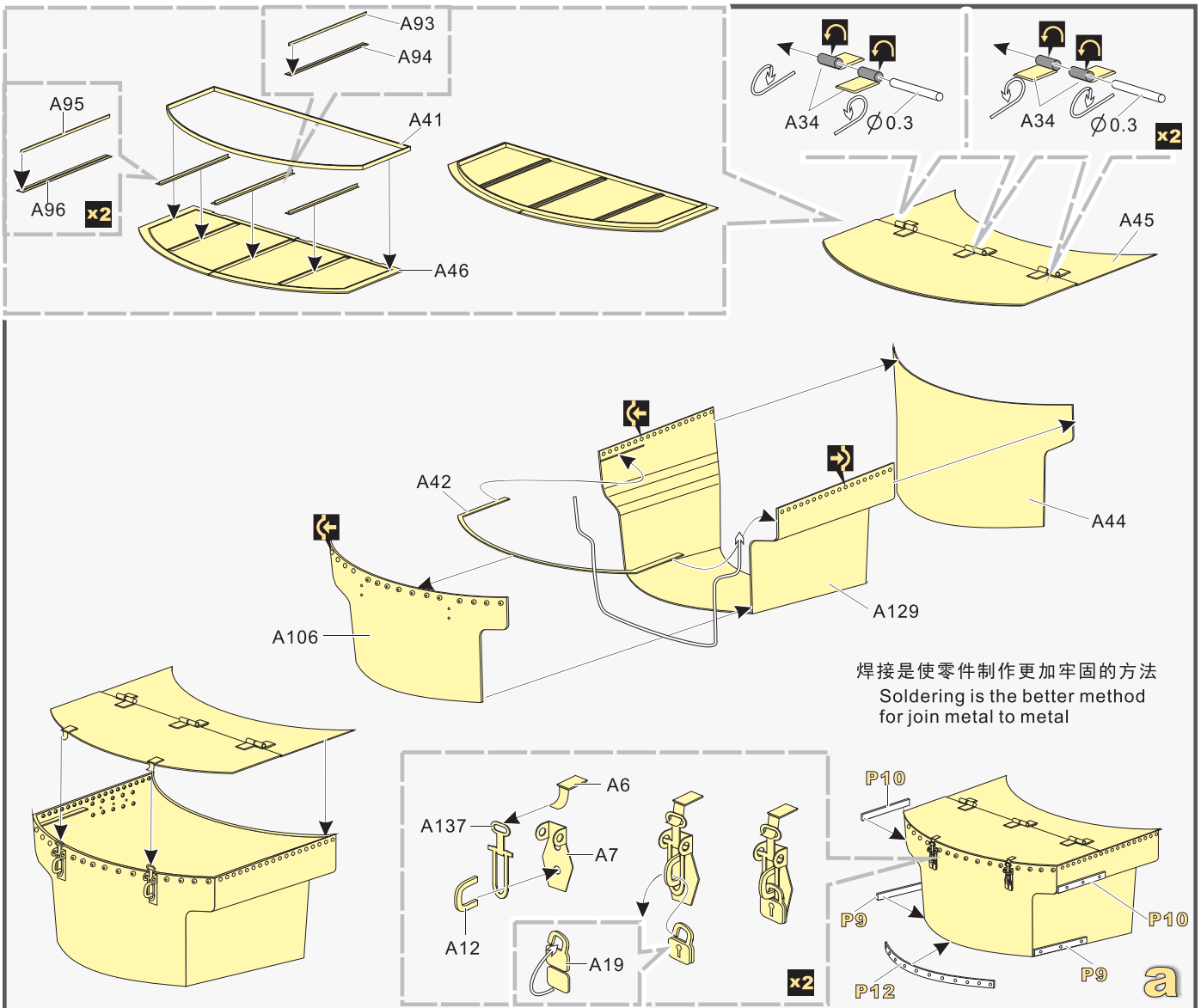
🔧 钻孔 drill

📌 用胶棒制作
make from plastic rod

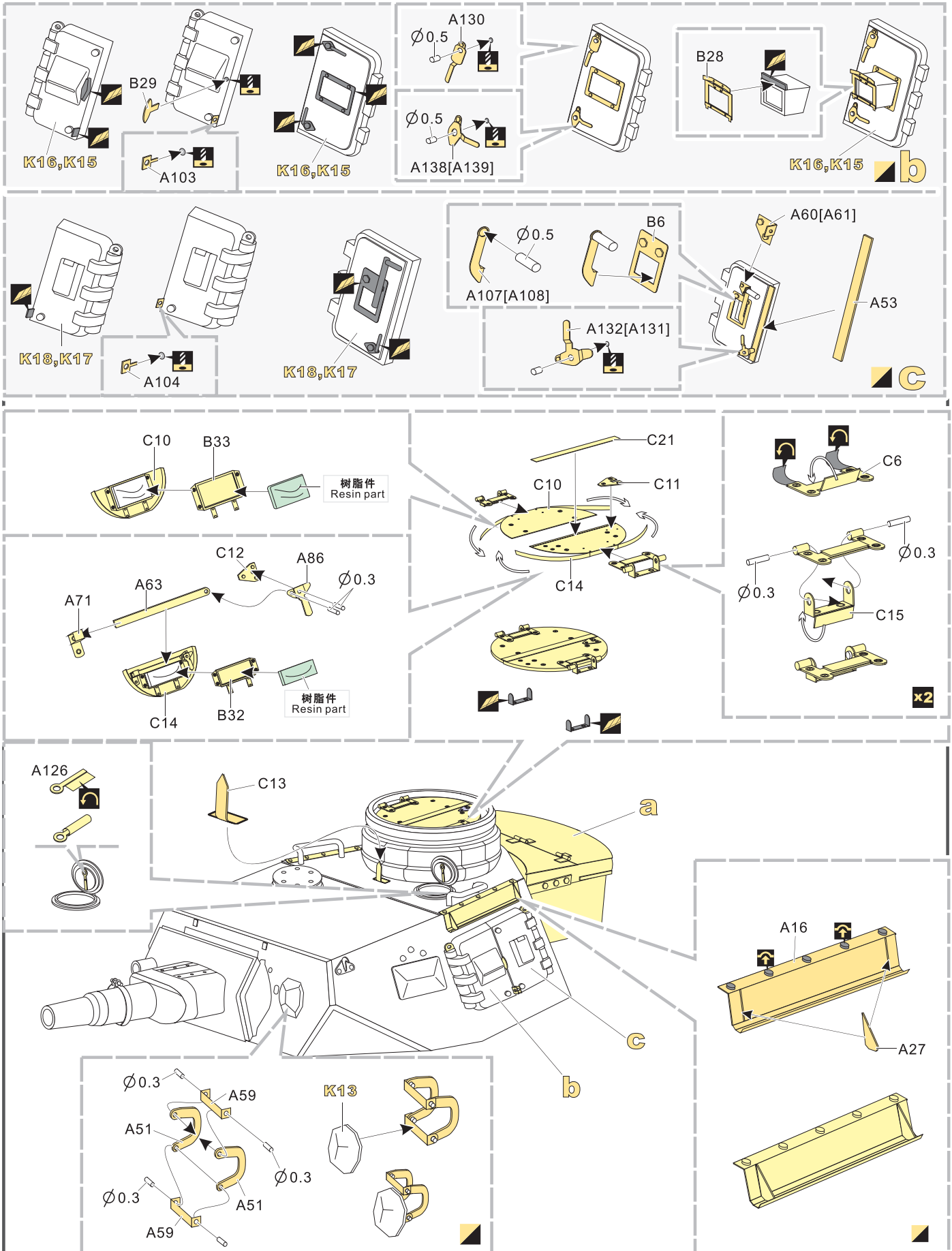
↓
用尖端在凹槽处冲压
use penpoint to press on the dent

🔄
蚀刻片零件内侧面向上
Put the part upside down

📌
用笔尖在凹槽处刻
Use penpoint to press on the dent



1/35 MILITARY MINIATURE VEHICLE UPGRADE SERIES PE351039



1/35 MILITARY MINIATURE VEHICLE UPGRADE SERIES PE351039

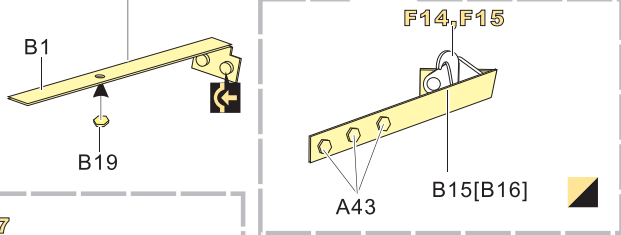
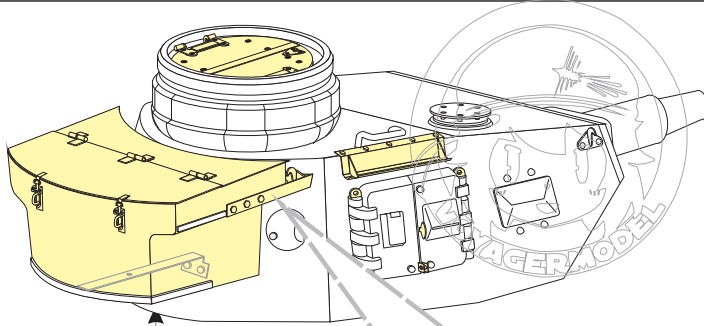
[Http://www.voyagermodel.com/productdetails.asp?itemid=PE351039](http://www.voyagermodel.com/productdetails.asp?itemid=PE351039)



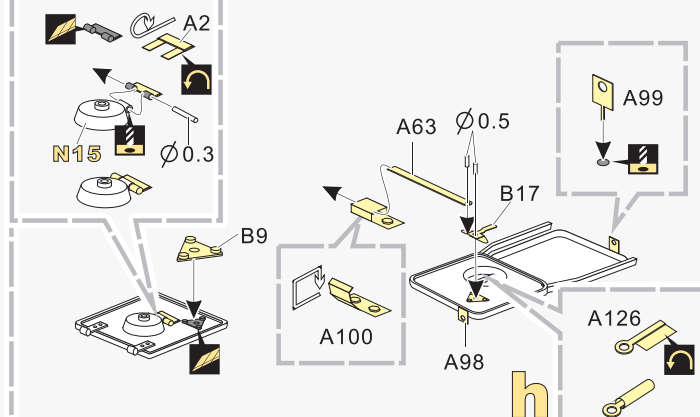
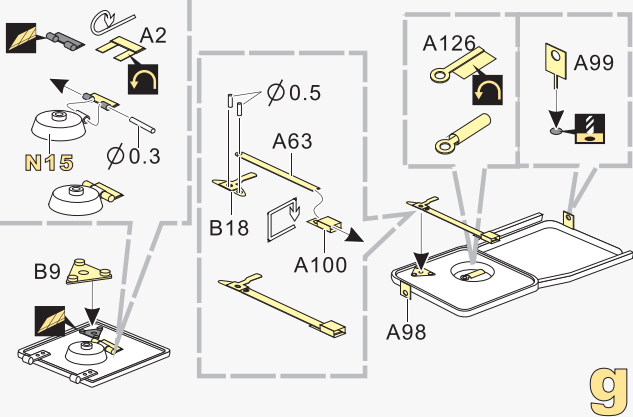
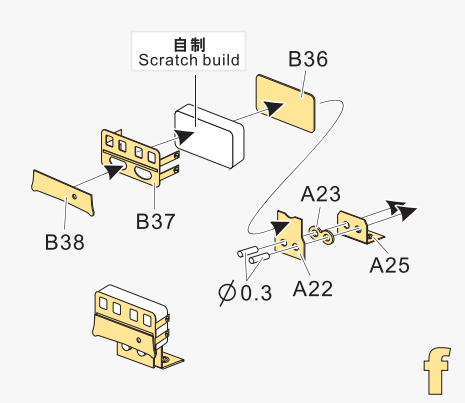
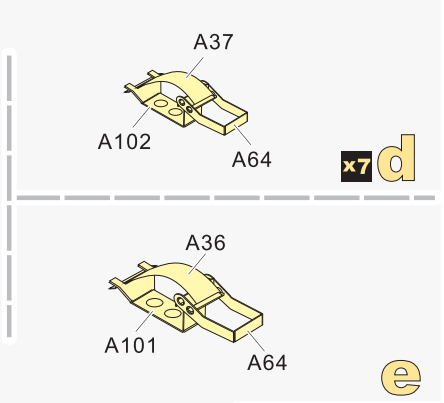
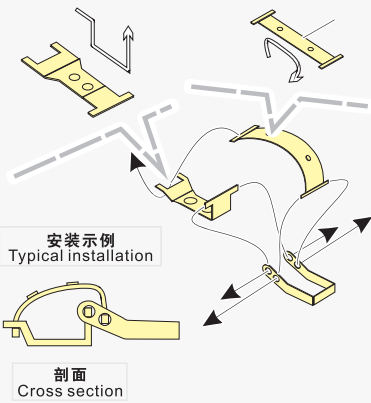
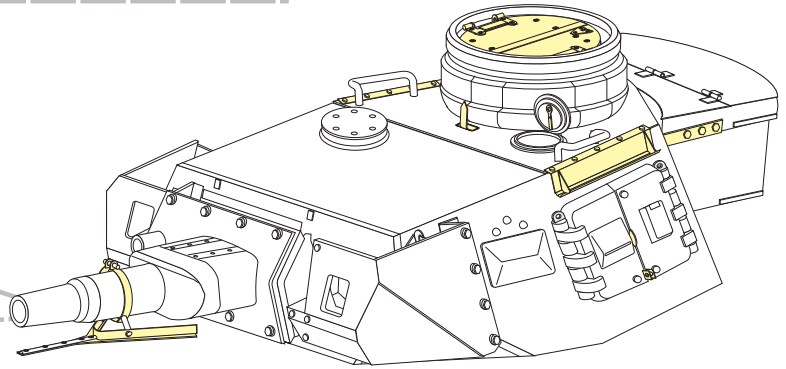
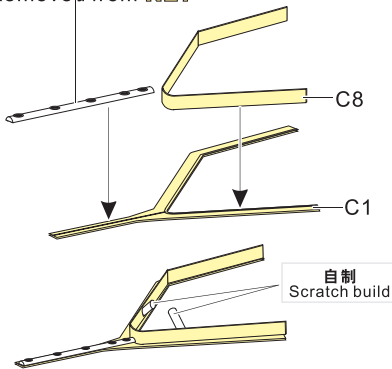
**VOYAGER
MODEL**



更多PE351039样品照片参考请扫一扫
MORE PICTUER OF PE 351039
REFERENCE SCAN HERE



Removed from N27



1/35 MILITARY MINIATURE VEHICLE UPGRADE SERIES PE351039

i Assemble parts A66, A76, A56, B20, B22, and J32. Part A66 is shown with a quantity of 2.

j Assemble parts A76, A73, B20, B22, B21, A124, and J30, J31.

k Assemble parts A116, A124, and J26. Part 'd' is a reference to a part from diagram p.

l Assemble parts A123, A18, A122, J24, and A121.

m Assemble parts B20, B76, A28, B22, B21, C36, and C37.

n Assemble parts B20, A76, A35, B22, and J36.

o Assemble parts A118, A97, B12, A117, A115, and A137. A note indicates '自制 Scratch build' for part A115.

p Assemble parts C31, A119, and A30.

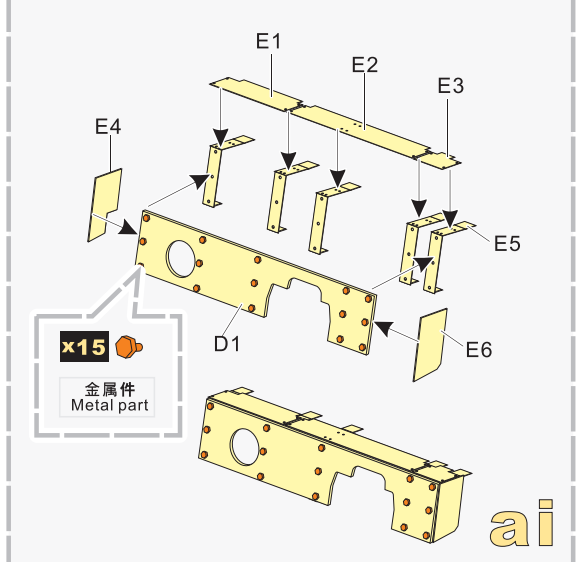
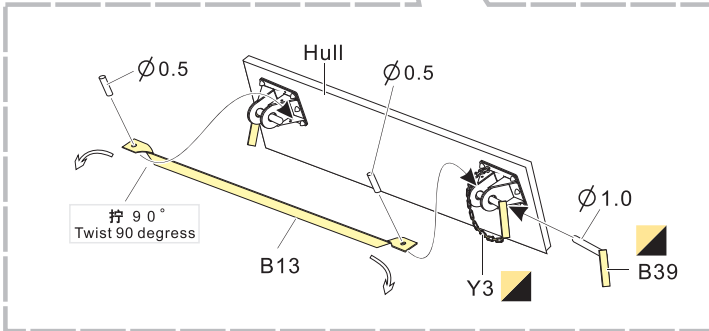
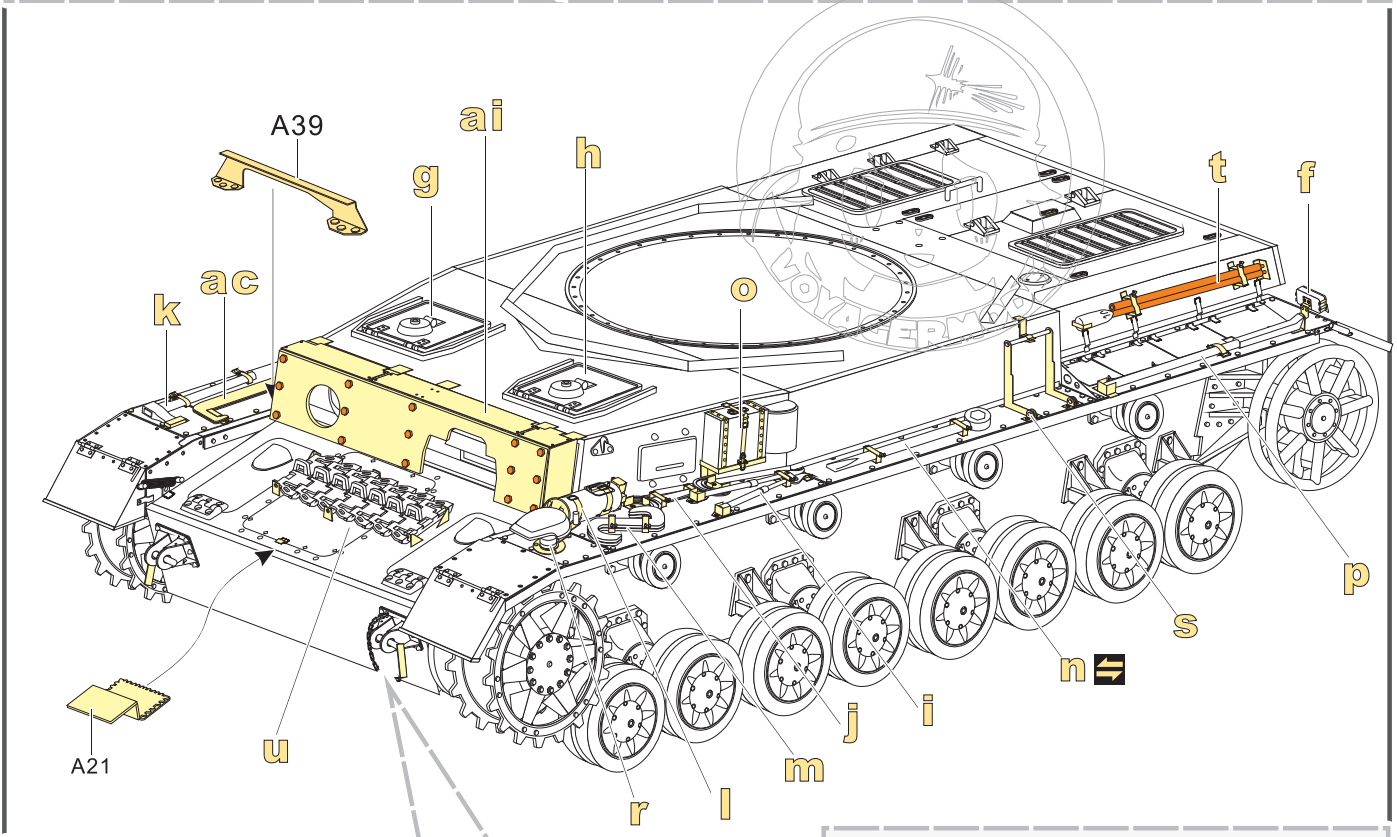
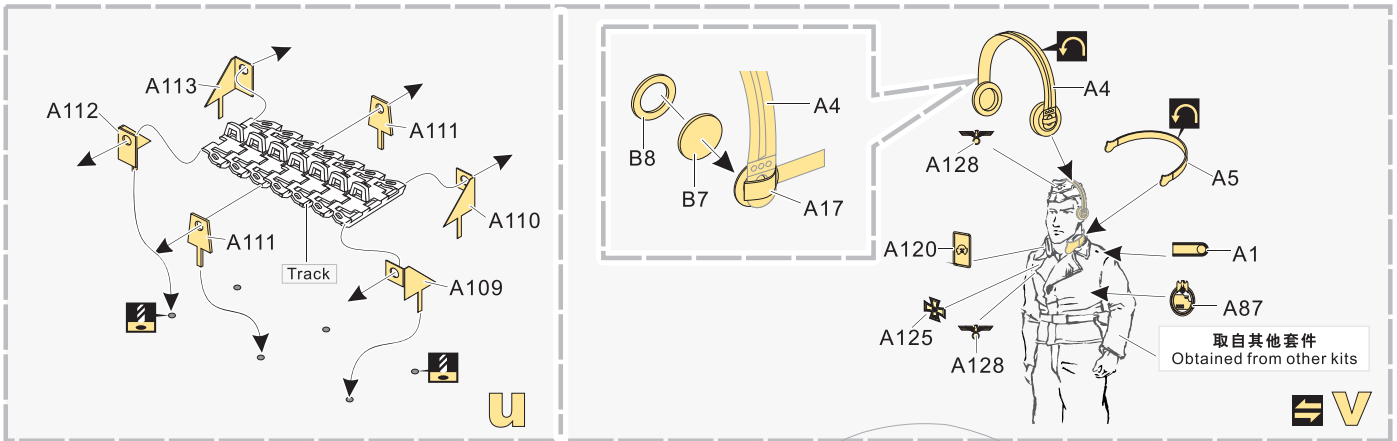
q Assemble parts A30, A119, and C16.

r Assemble parts N12, N11, A29, and a hole of diameter $\varnothing 0.5$.

s Assemble parts A82, A81, $\varnothing 0.5$, B34, and A83. A hole of diameter $\varnothing 0.3$ is also indicated.

t Assemble parts B20, A79, A78, B22, A69, A67, J29, A89, and A88. A note indicates '金属件 Metal part' for the orange rod.

1/35 MILITARY MINIATURE VEHICLE UPGRADE SERIES PE351039

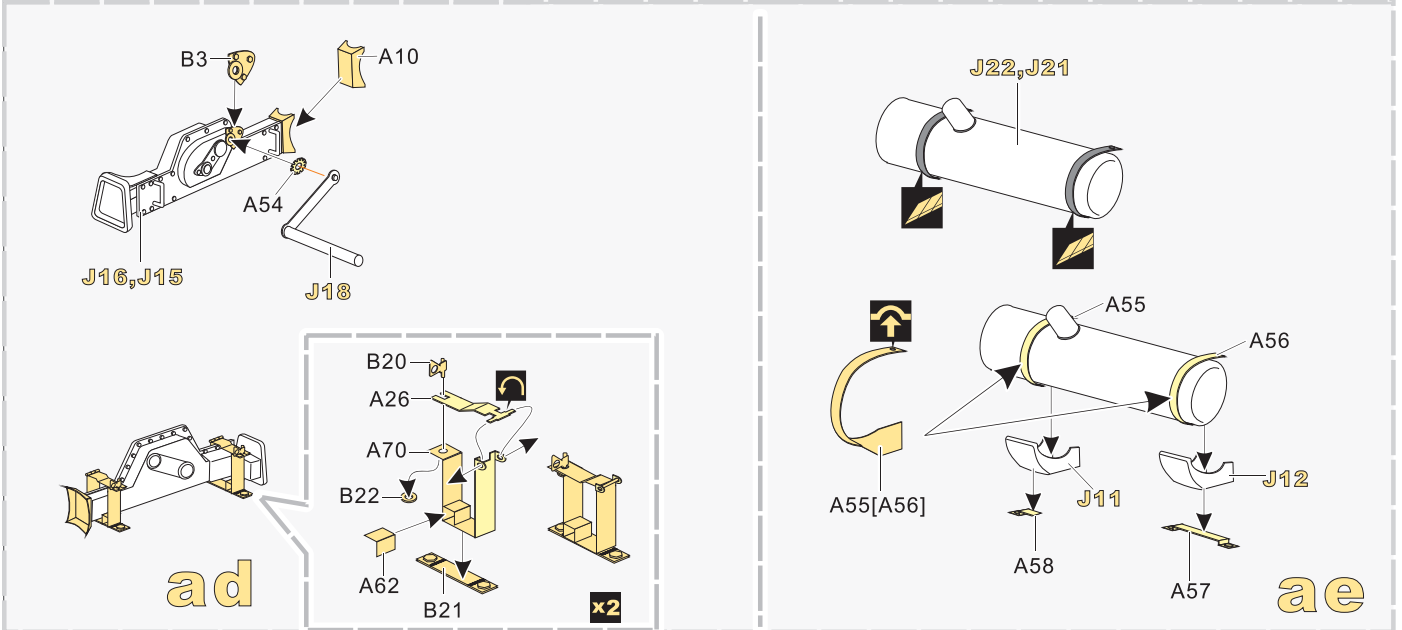
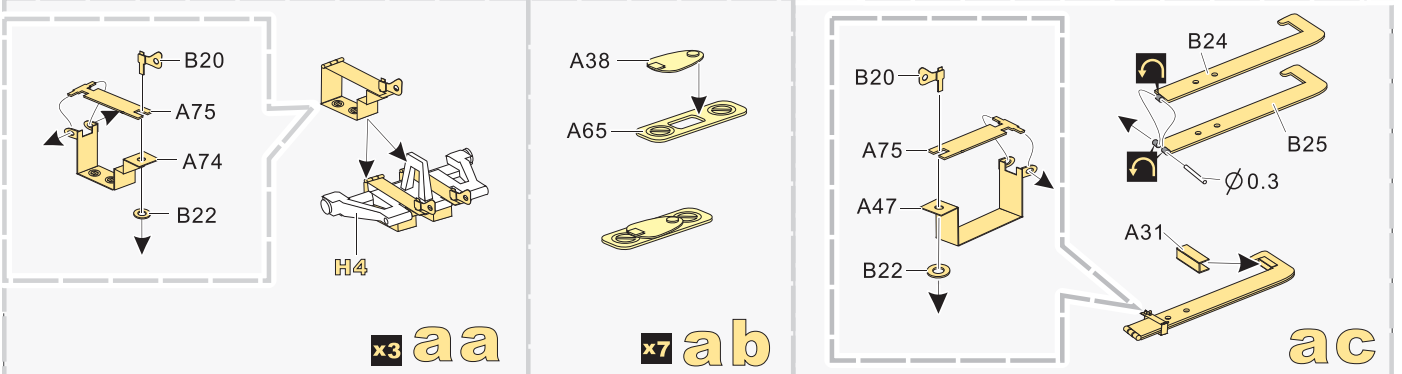
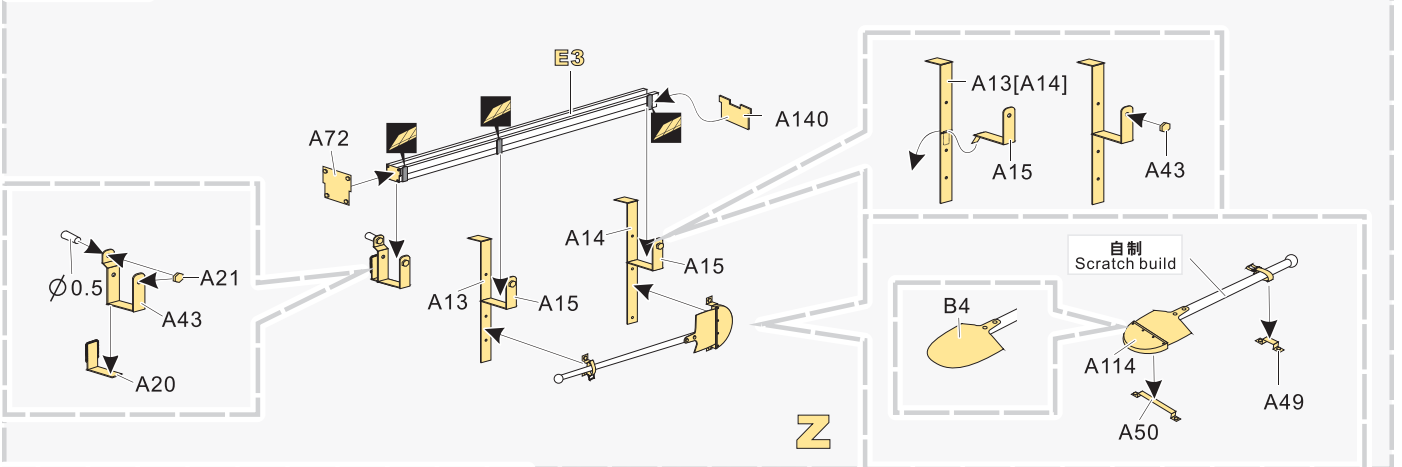
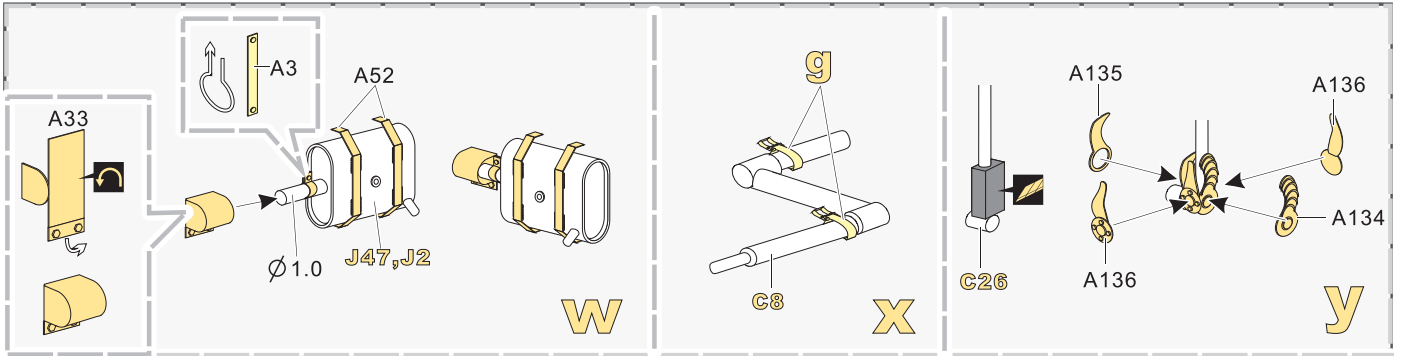


VOYAGERMODEL® 无微不至 极尽享受
The Best Upgrade Solution

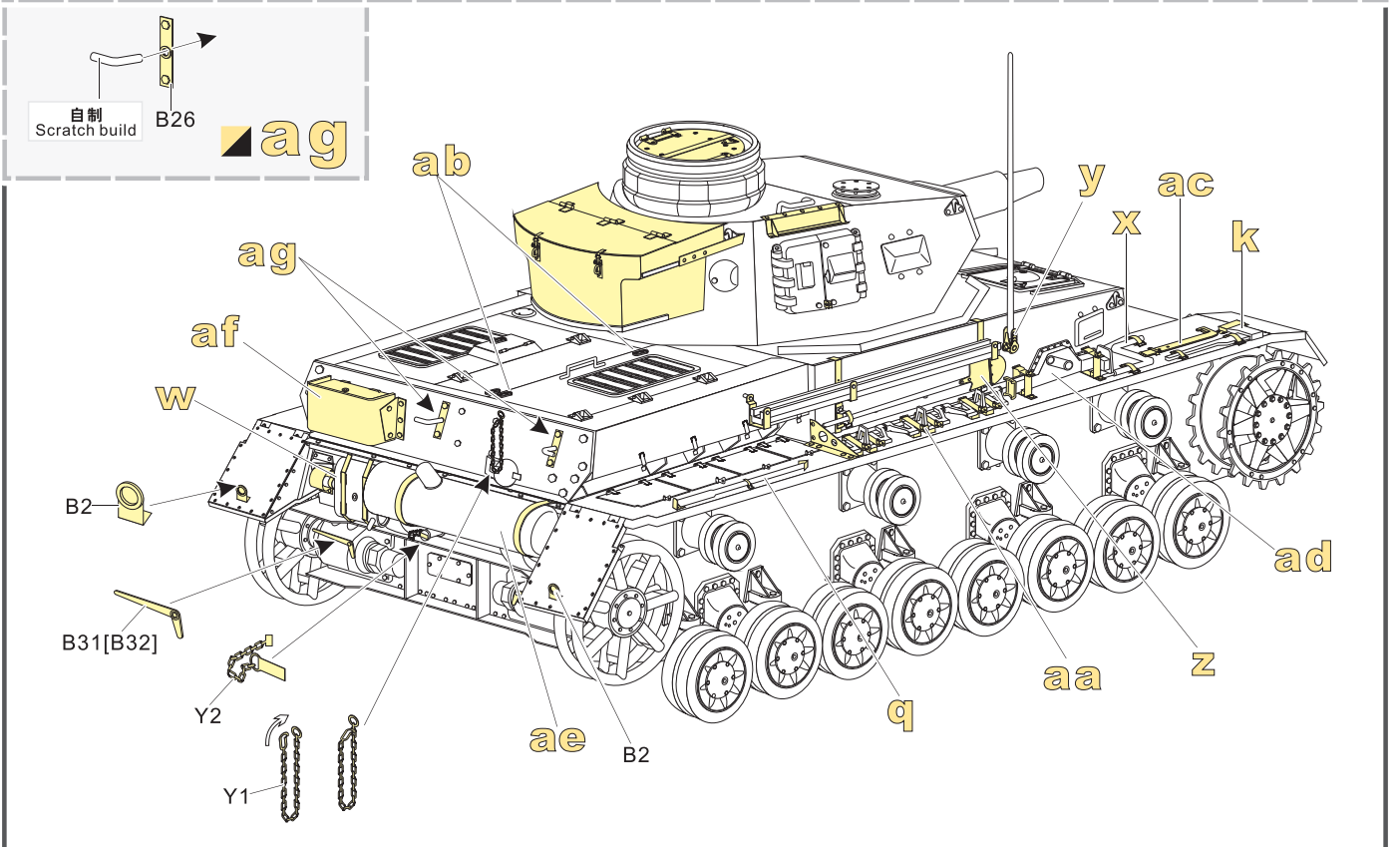
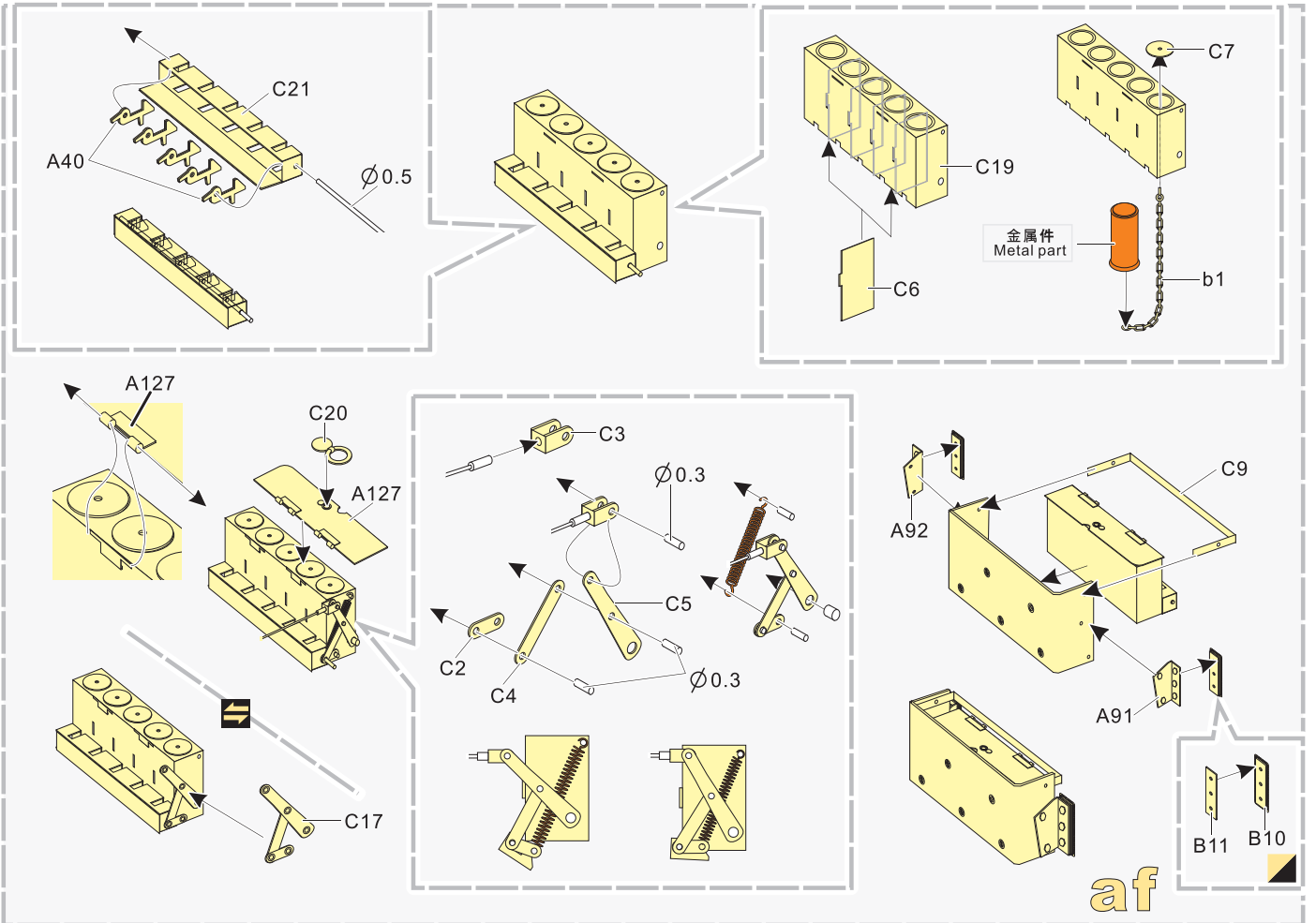
Recommended item

PE 35993	WWII German Pz.Kpfw.IV Ausf.G (LateProduction) Basic
PE 35994	WWII German Pz.Kpfw.IV Ausf.F-H Fenders
PE 351040	WWII German Pz.Kpfw.IV Ausf.F1 Basic (B ver included Ammo)
PE 351041	WWII German Pz.Kpfw.IV Ausf.F1 (LateProduction) Basic (B ver included Ammo)
PE 351042	WWII German Pz.Kpfw.IV Ausf.F2 Basic

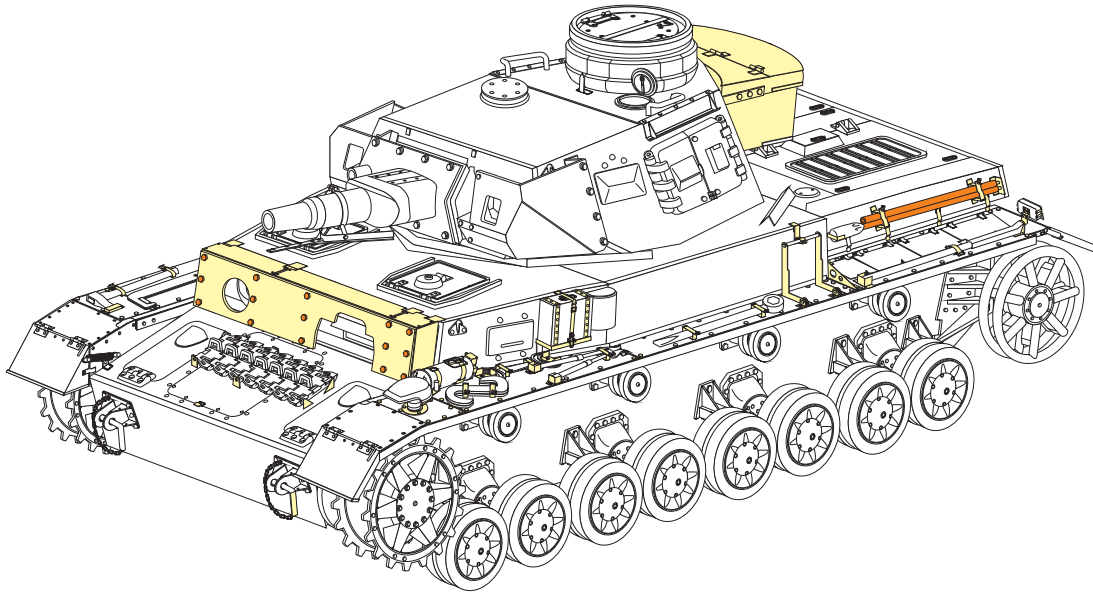
1/35 MILITARY MINIATURE VEHICLE UPGRADE SERIES PE351039



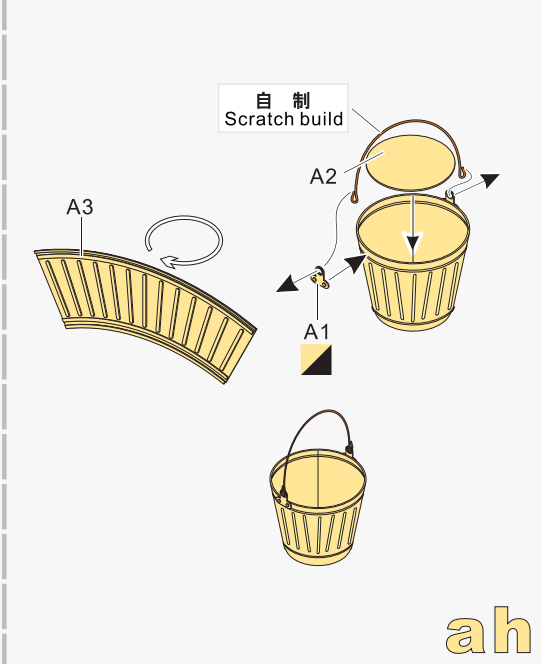
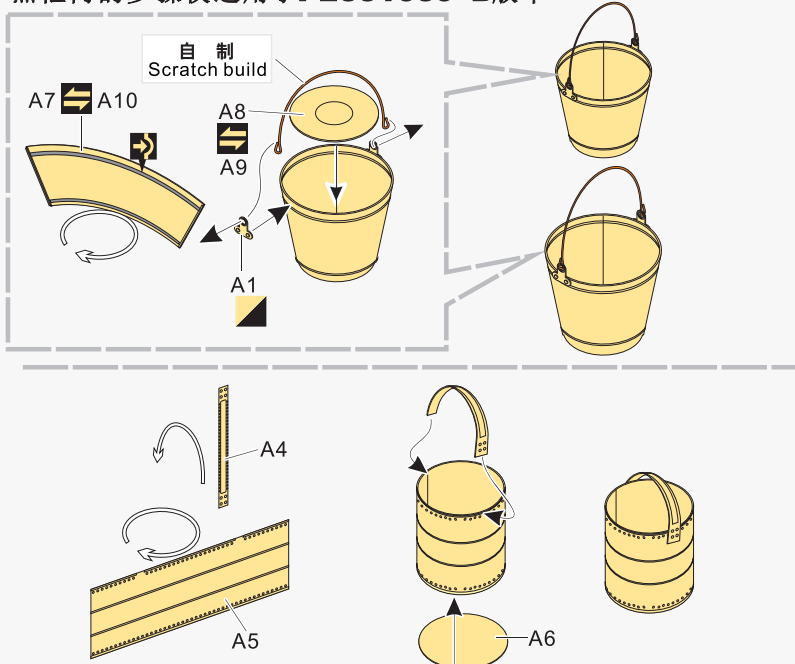
1/35 MILITARY MINIATURE VEHICLE UPGRADE SERIES PE351039



1/35 MILITARY MINIATURE VEHICLE UPGRADE SERIES PE351039

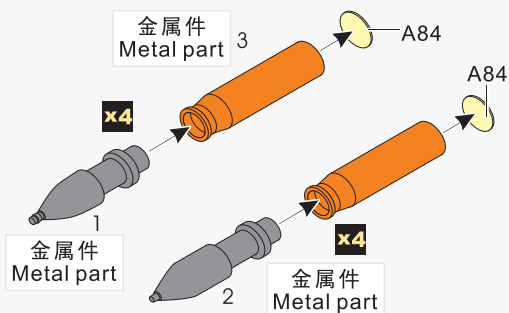


THE STEPS IN THE BLACK BOX APPLY FOR PE351039 B VERSION
黑框内的步骤仅适用于PE351039 B版本





ah

WWII German 75mm KwK 37/StuK 37 Ammunition
二战德军75mm KwK37/StuK37火炮用炮弹



Also fit for

-  Pz Kpfw IV Ausf. A-E
-  Pz Kpfw III Ausf. N
-  StuG III Ausf. A-E
-  Sd.Kfz. 234/3
-  Sd.Kfz. 251/9 Ausf. C-D
-  Sd.Kfz. 250/8
-  Aufklarungspanzer 38(t) mit 75mm Kw.K