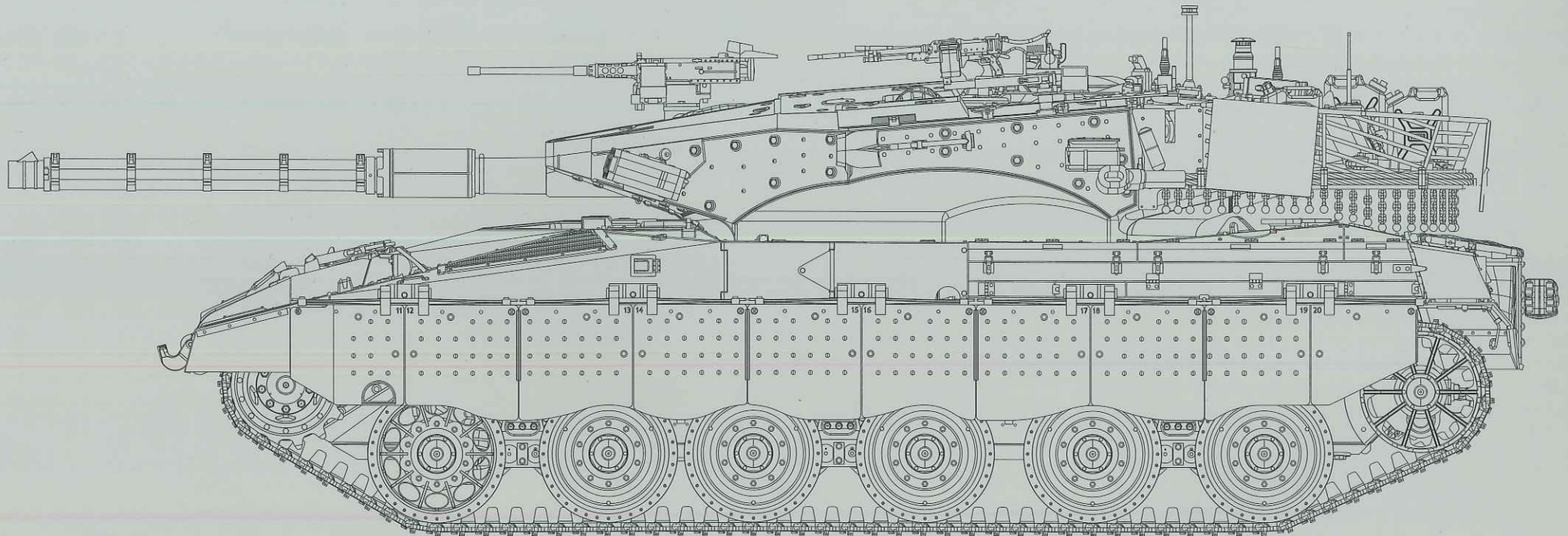


ISRAELI MAIN BATTLE TANK

MERKAVA MK.II B

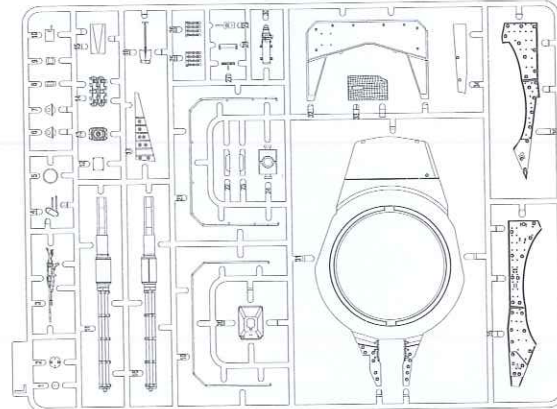
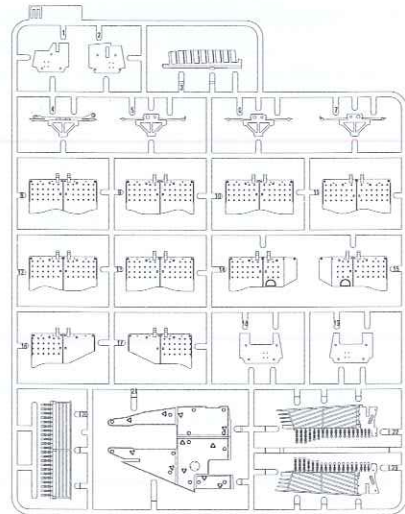
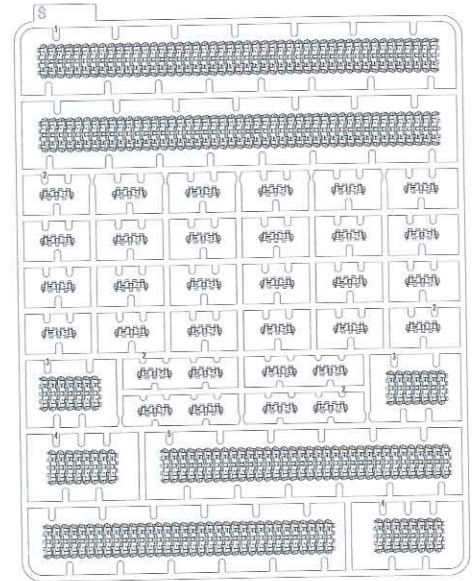
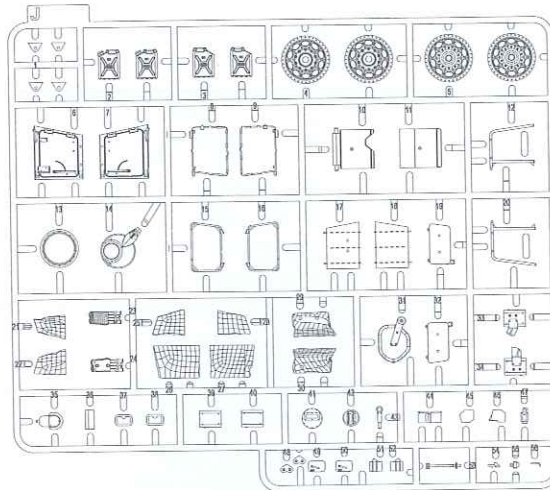
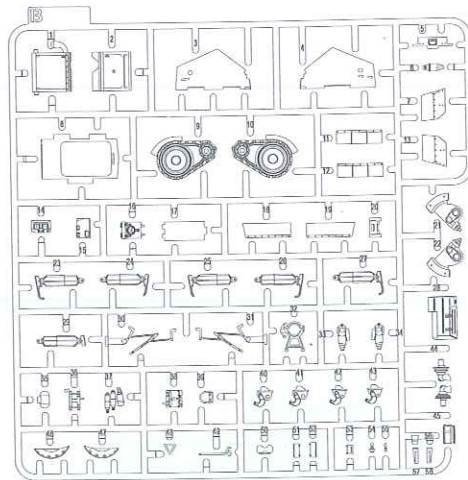
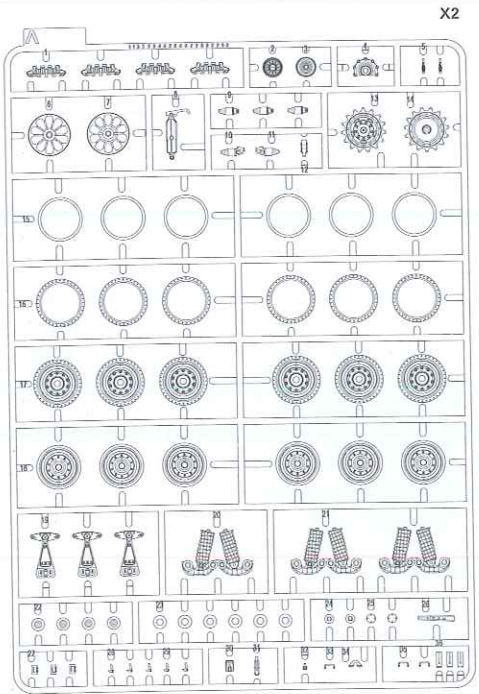


Named after the ancient Hebrew war chariot, Israel's Merkava tank was forged by experience on the battlefield as well as the painful political realities facing the Jewish state. After enthusiastically providing the UK with valuable data gathered during 2 years of intense evaluation of the Chieftain tank, The Israelis were denied the weapon after political objections by wealthy Arab states resulted in the British cancellation of their agreement in 1969. This sudden turn of events instigated the ultimate decision in Israel to rely on themselves and produce a local tank.

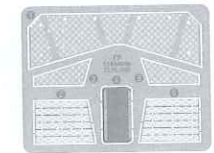
Drawing on experience gained operating U.S. & British tanks in heavy combat, the Merkava was designed after the Yom Kippur war of 1973, and after several prototypes were tested and improved, the new tank went into production in 1977. Design features included a troop compartment in the rear accessed by a unique split hatch reminiscent of APC's, a 908 Hp Teledyne Continental AVDS 1790-6A diesel engine mounted in the front of the hull for increased crew protection from the front, and a flat, arrow-shaped turret housing a powerful license-produced fully-stabilized version of the US rifled 105-mm M68 tank gun. Up to 62 rounds can be carried, including APFSDS, HEAT, HE-FRAG, and smoke rounds. Secondary armament comprised of two US 7.62 mm machine-guns and a third heavy Browning .50 caliber could be mounted on top of the commander cupola. An external 60 mm mortar could be fired by an operator from the nearby hatch. The tank features a Laser Range Finder and a digital fire control system, and enjoys NBC protection and an automatic fire extinguishing system. The Merkava can carry up to 10 fully equipped troops, as well as its crew of 4, consisting of the driver, gunner, loader, and commander.

The Merkava Mk.1 saw combat in Lebanon in 1982, and began featuring upgrades which ultimately led to the more advanced Mk.IIB. These improved tanks featured enhanced fire control & thermal sensors, a new transmission, increased fuel capacity, extra armor, and relocation of the mortar.

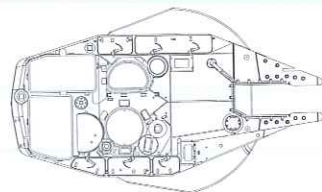
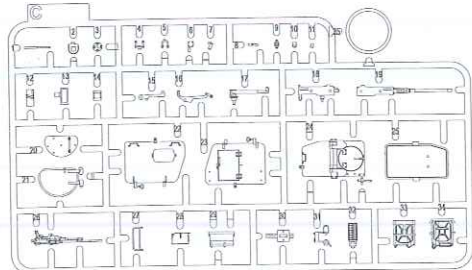
PARTS



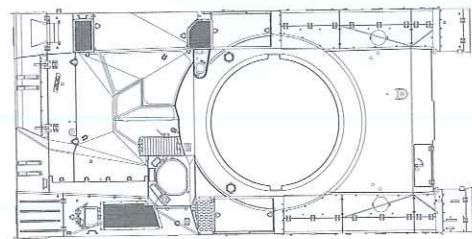
Decal



TP



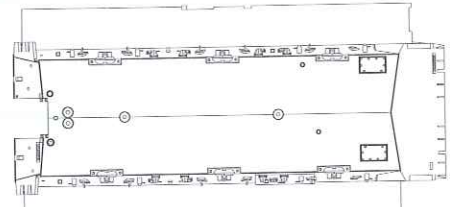
Turret



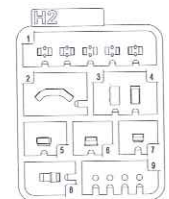
Upper Hull



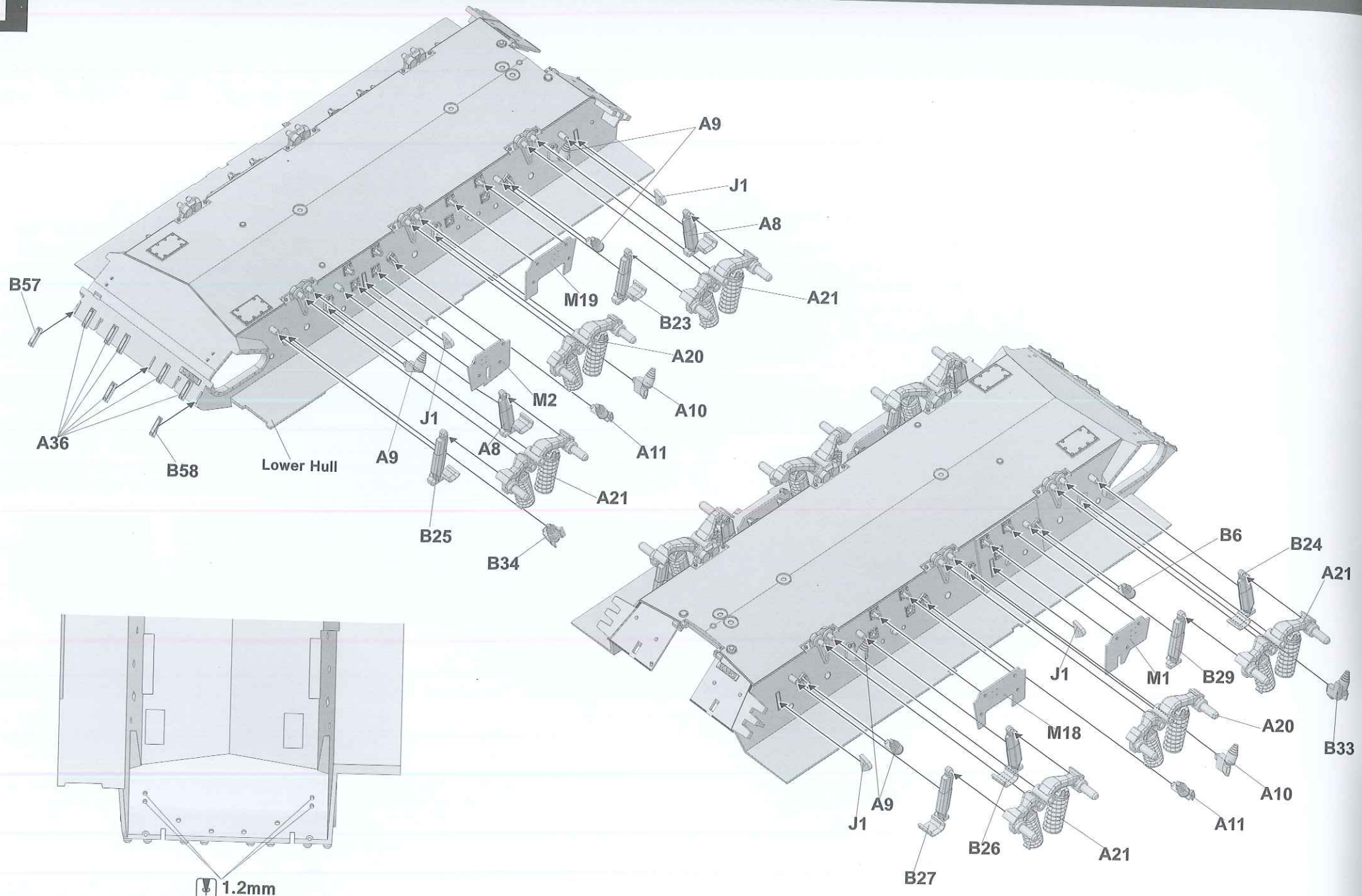
Metal Part

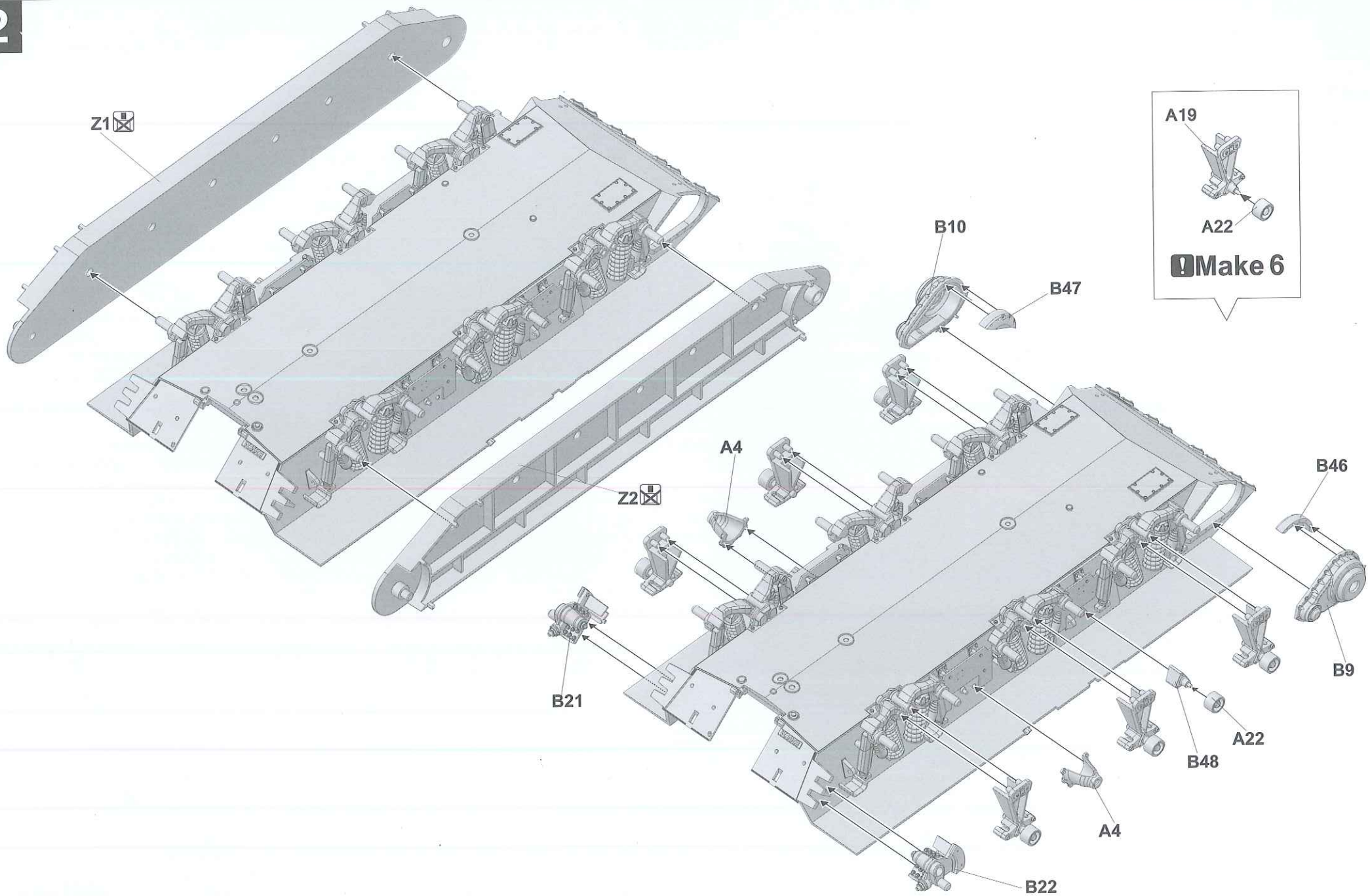


Lower Hull



Cable



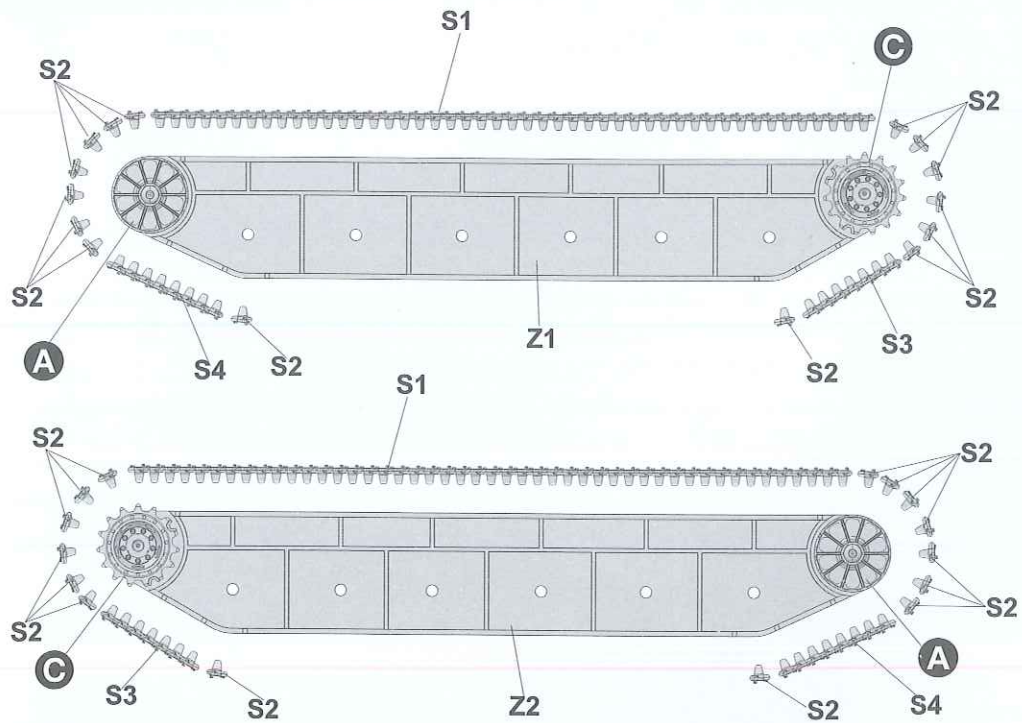


A19

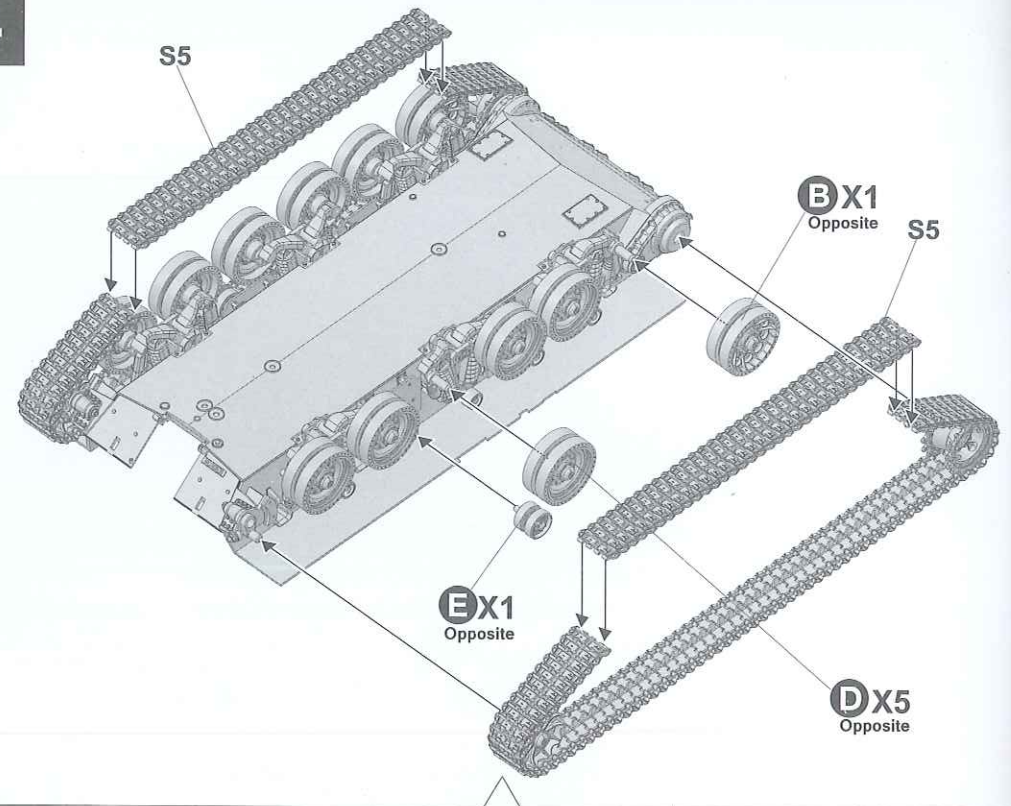
A22

Make 6

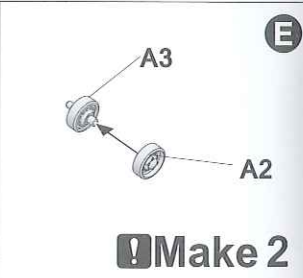
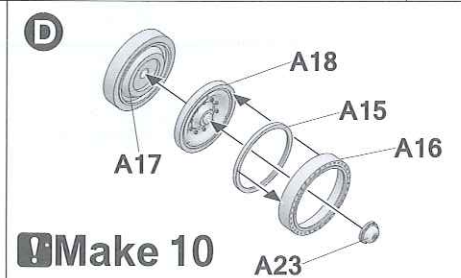
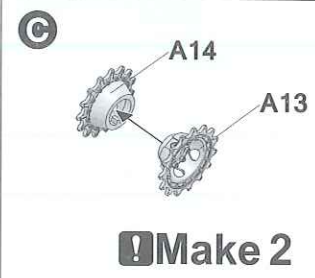
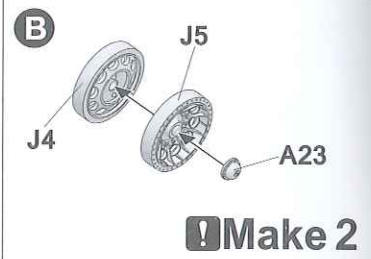
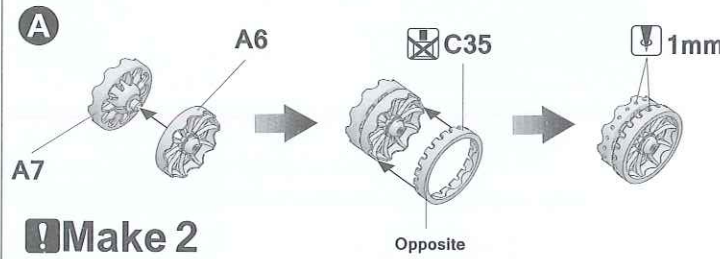
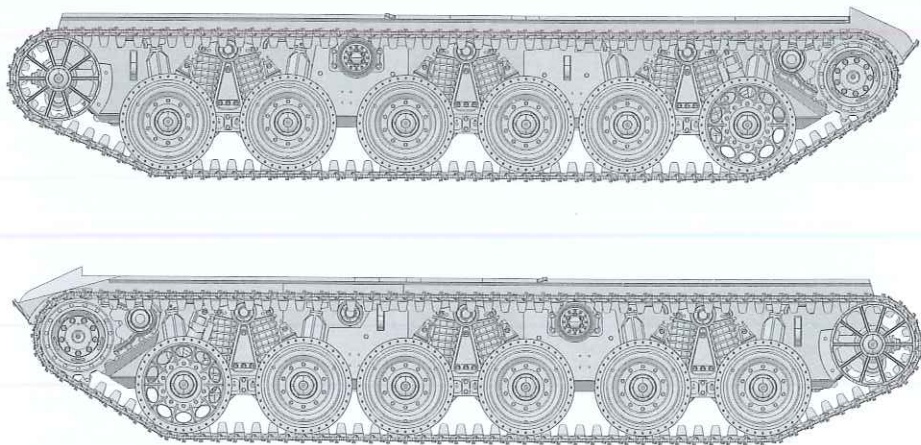
3

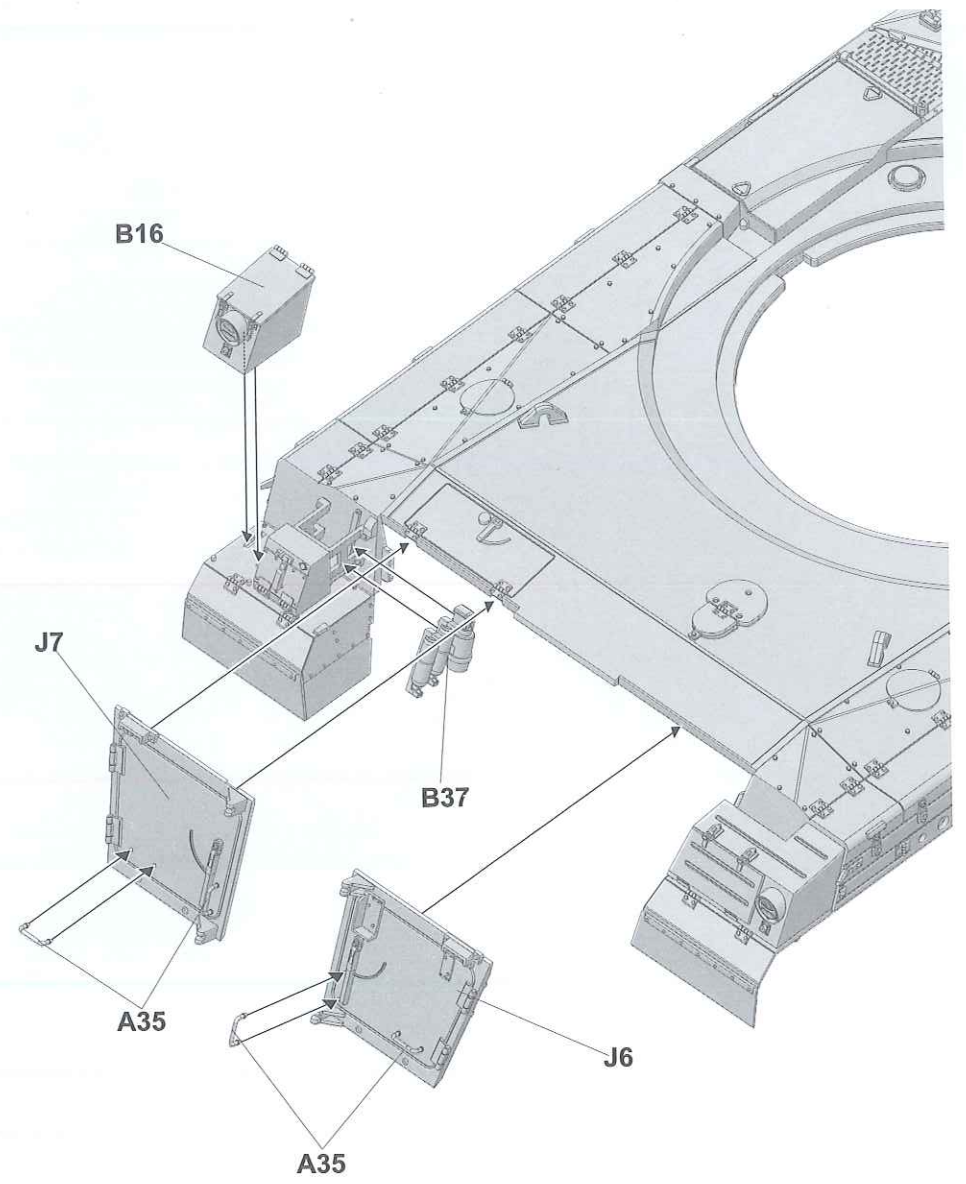
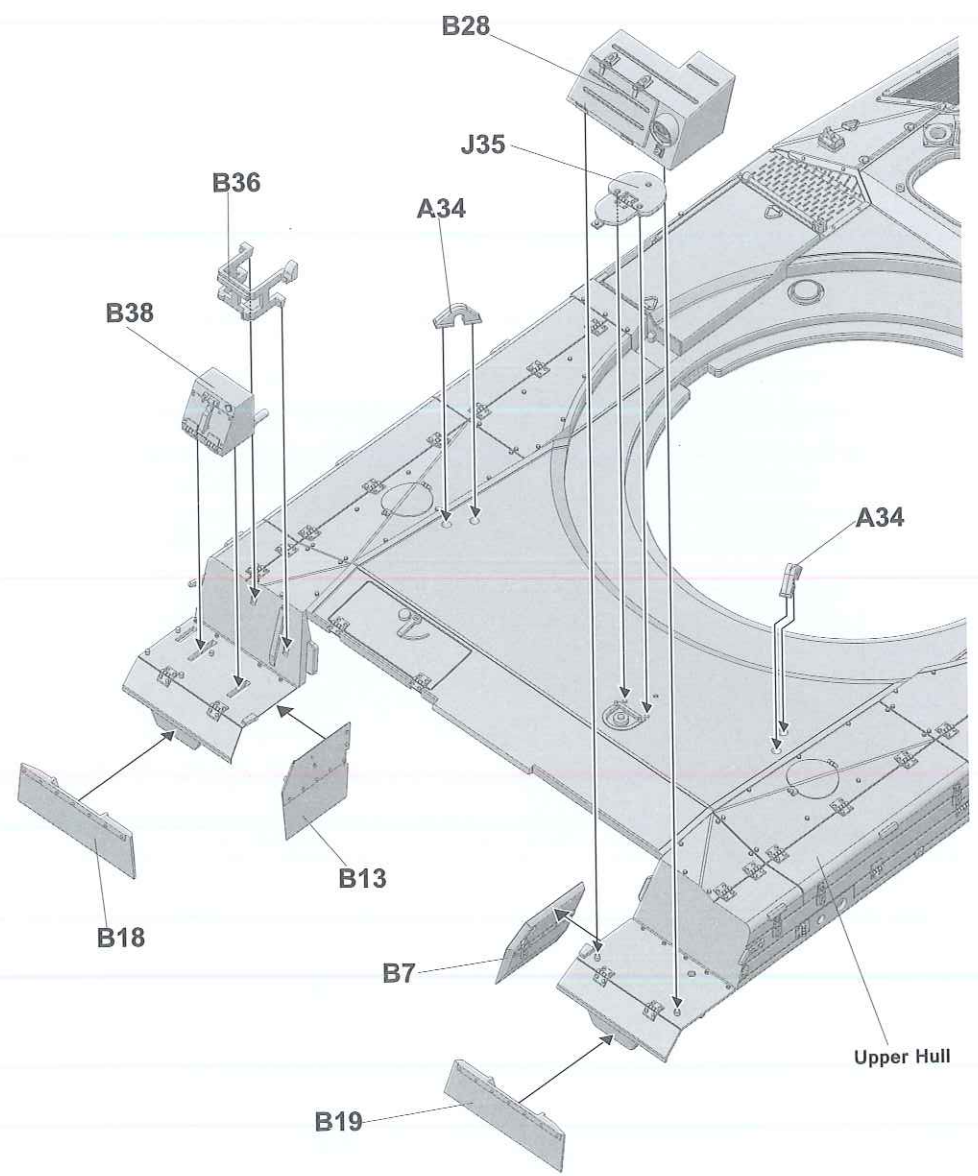


4

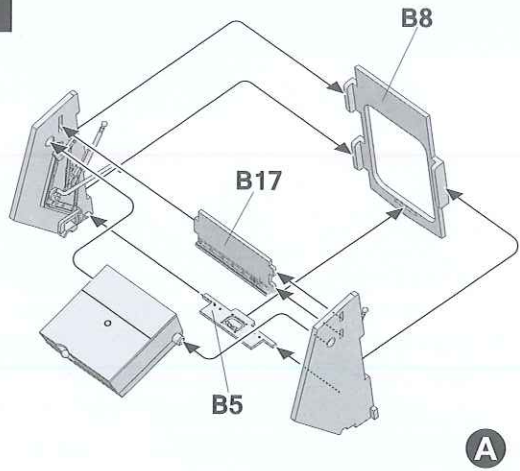


5



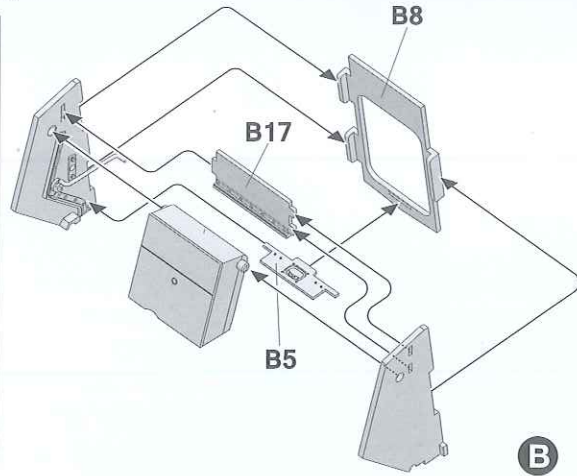


8



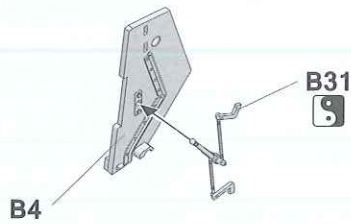
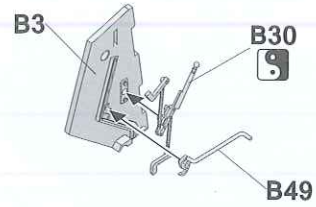
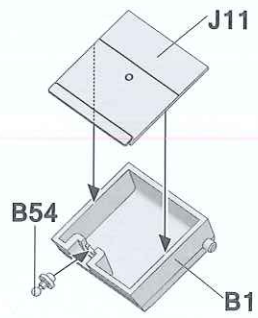
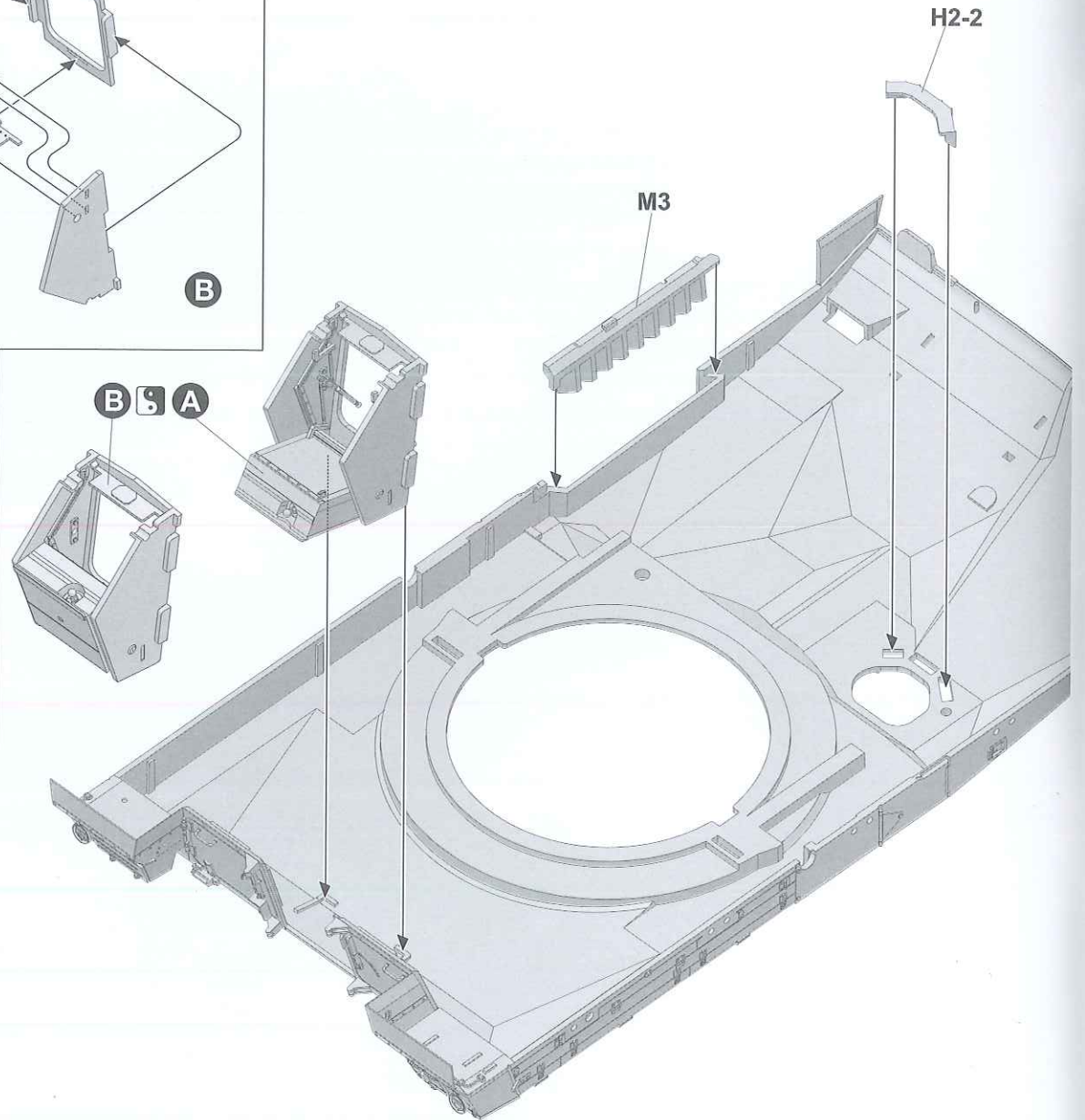
A

S

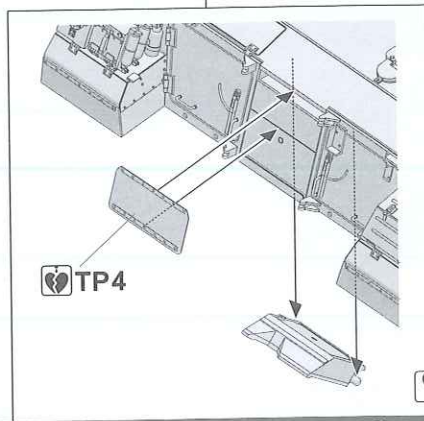
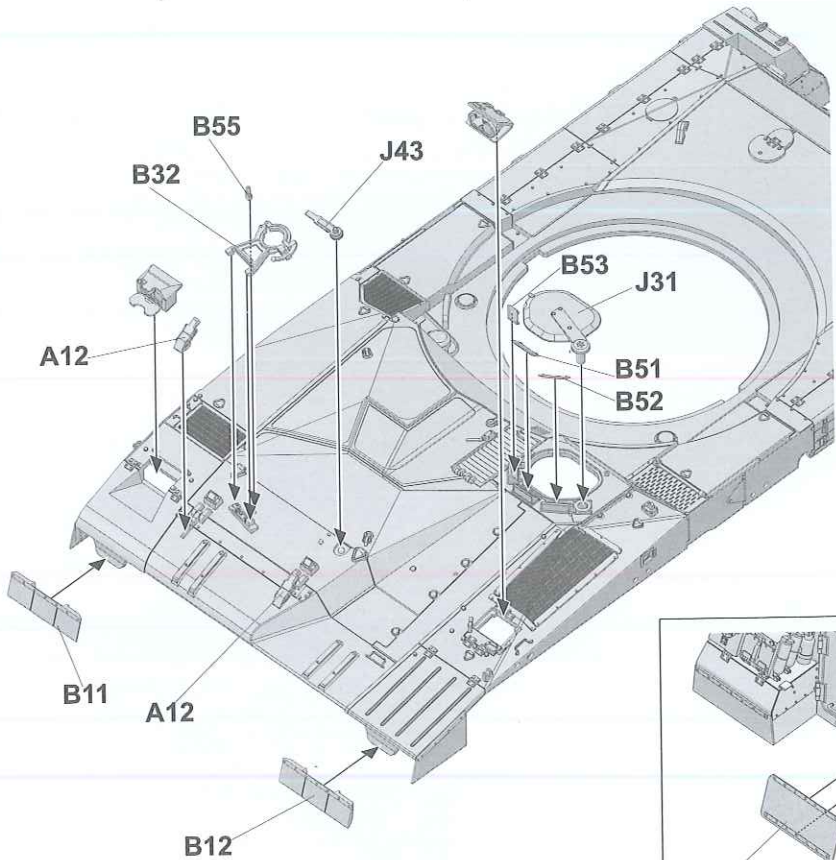
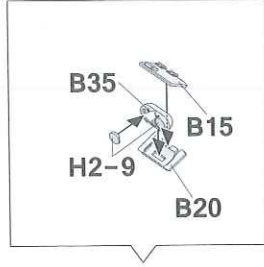
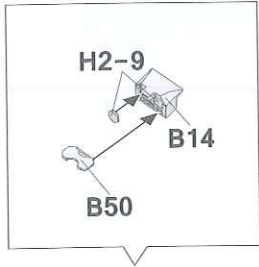


B

9

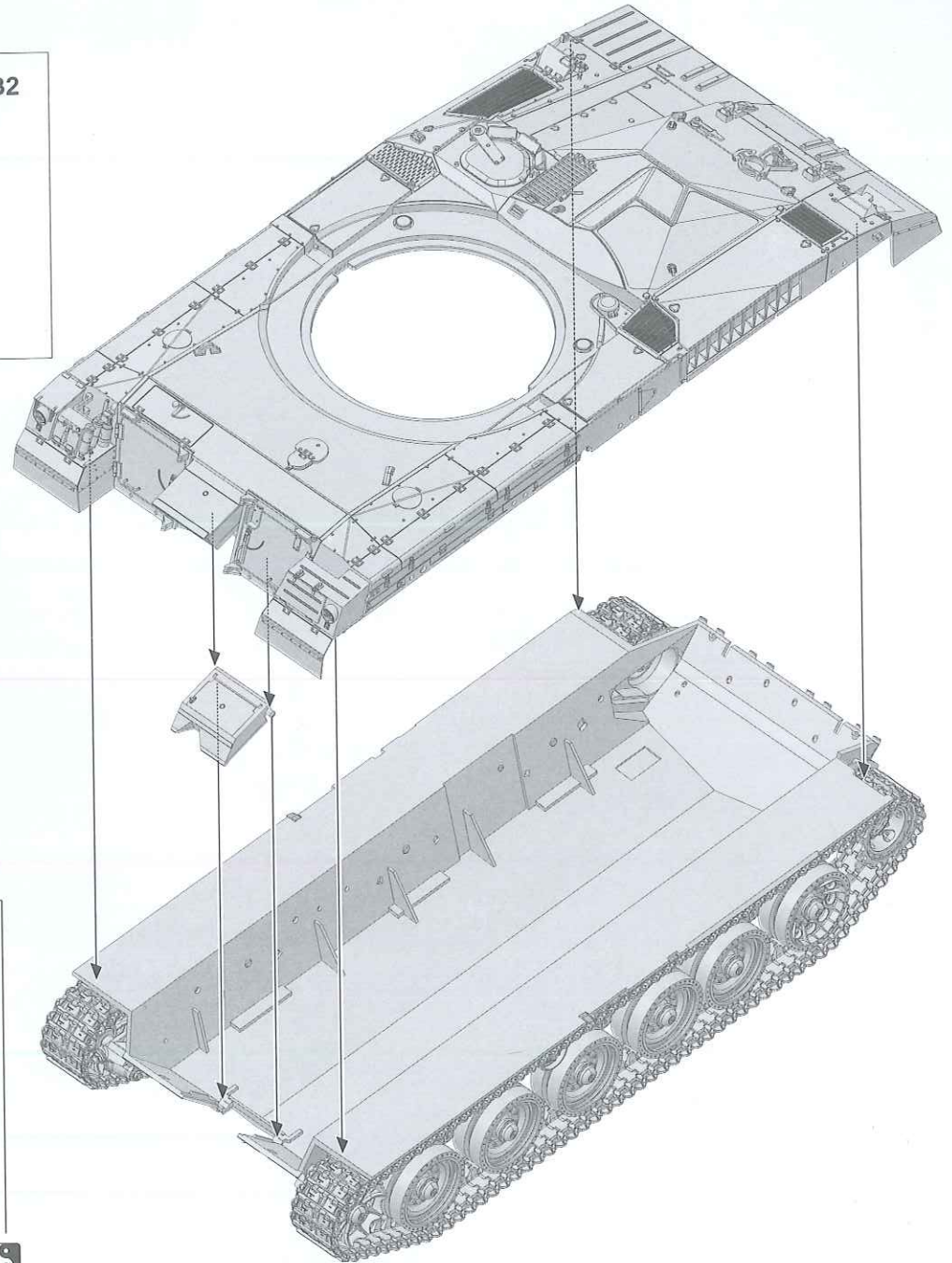
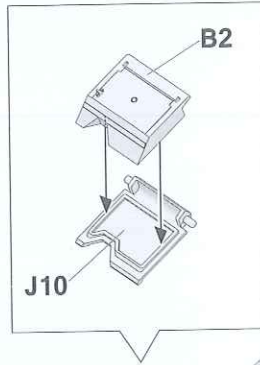


10

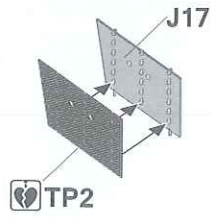
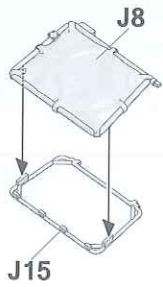
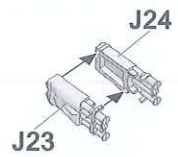


8

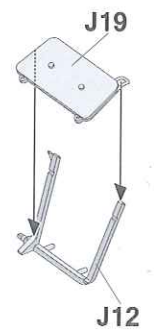
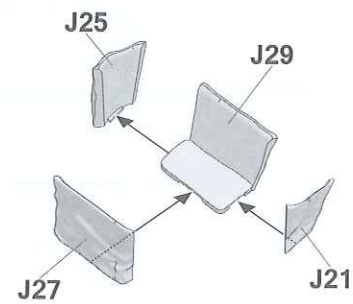
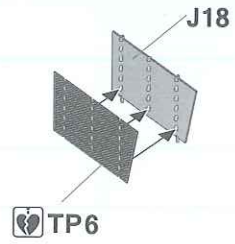
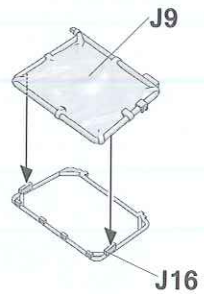
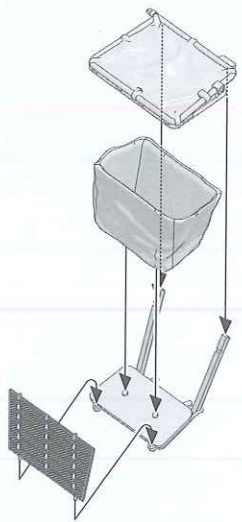
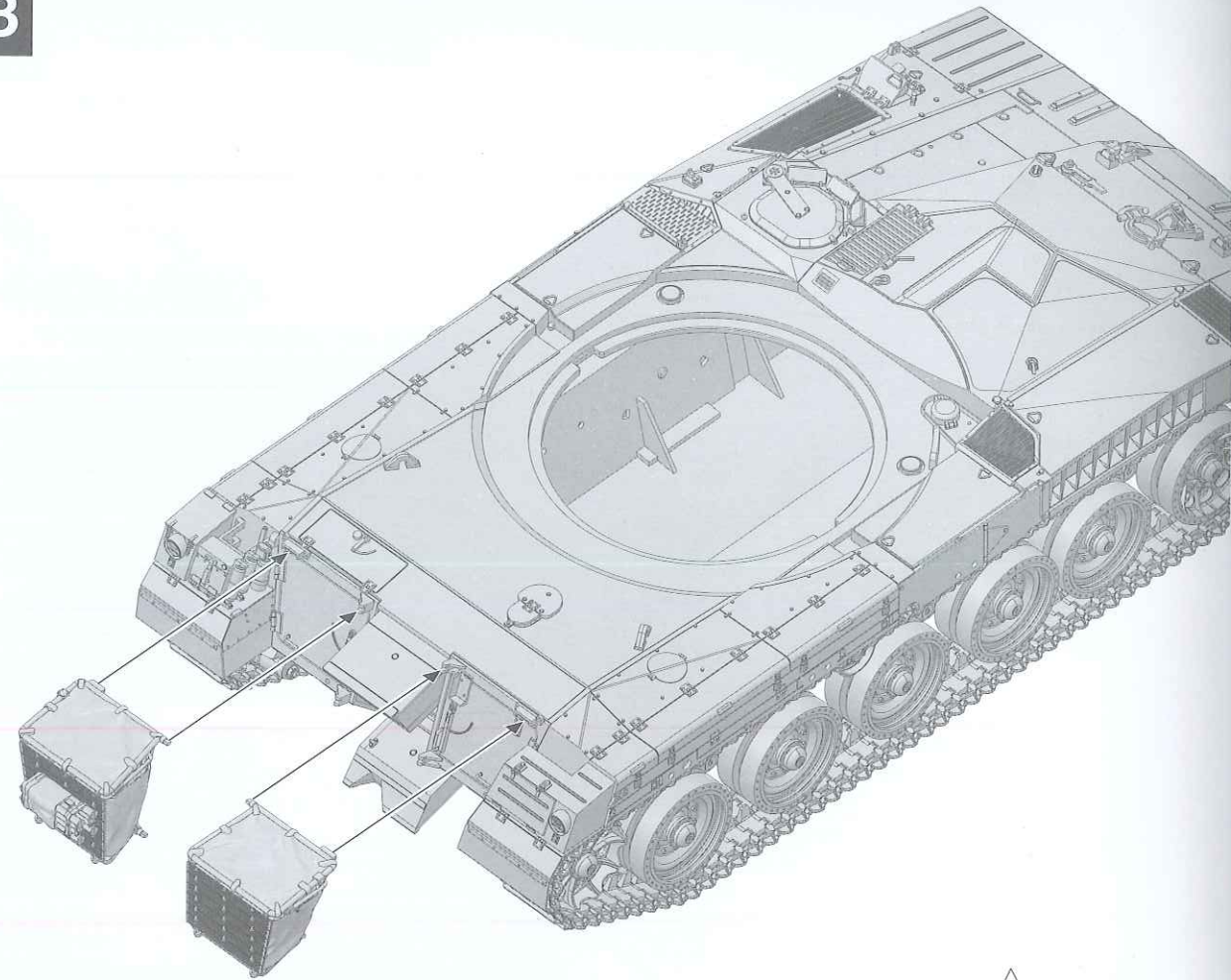
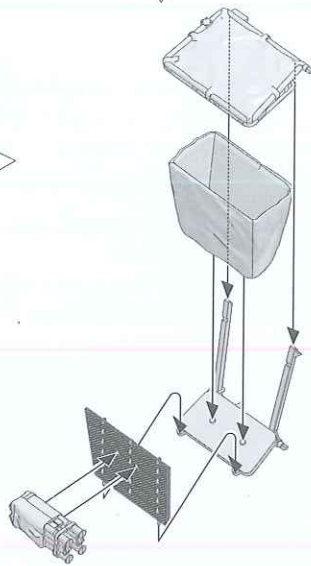
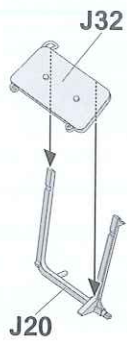
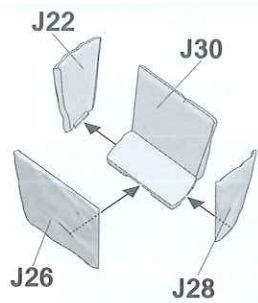
11



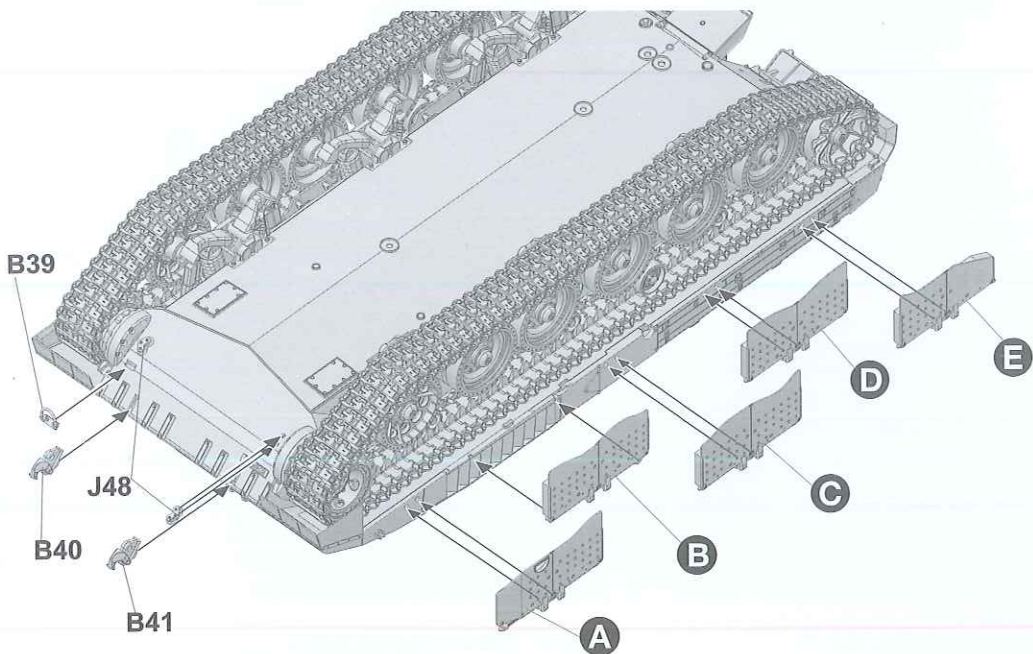
12



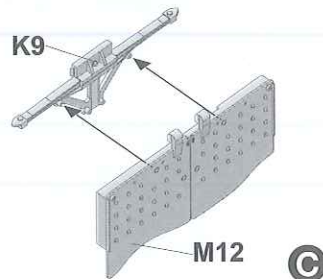
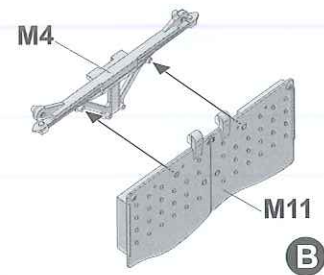
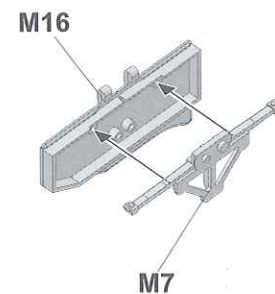
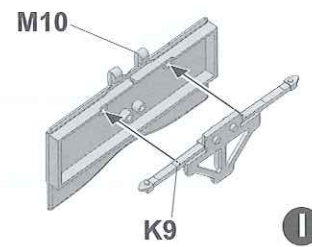
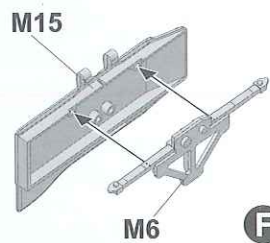
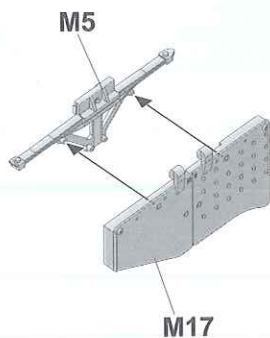
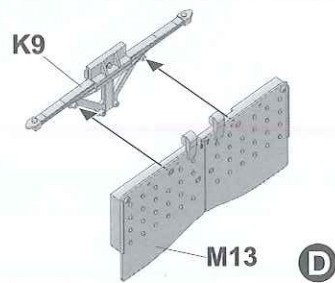
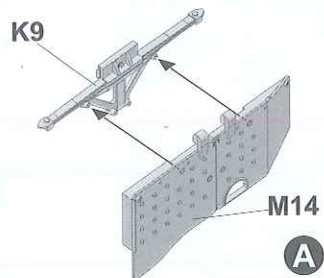
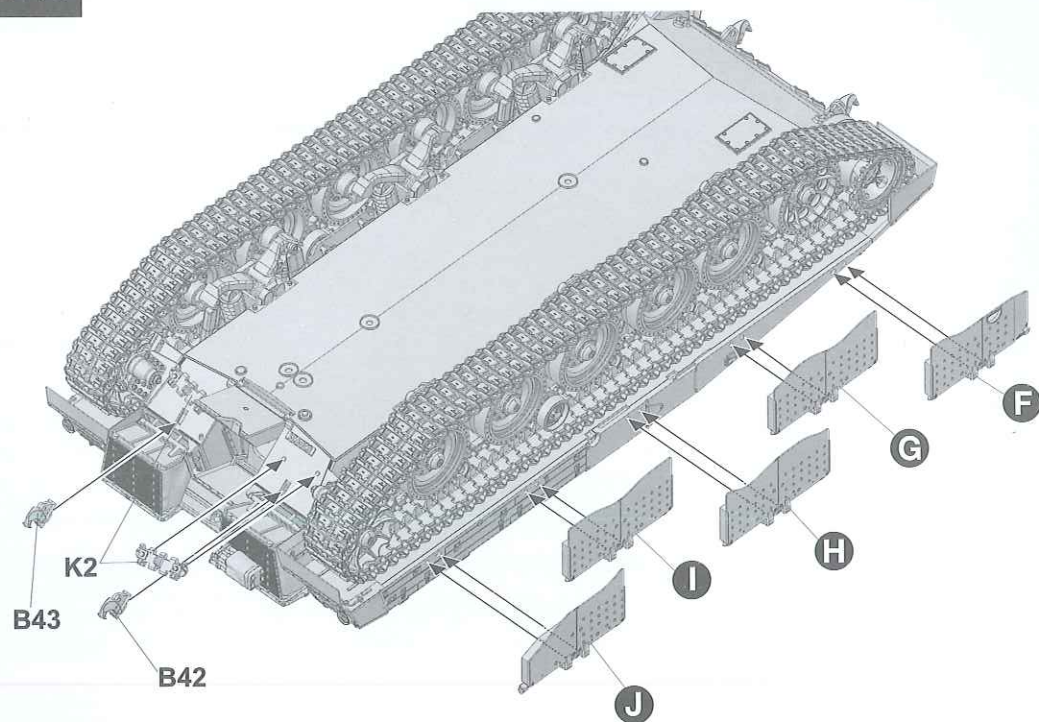
13



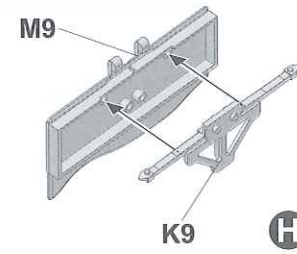
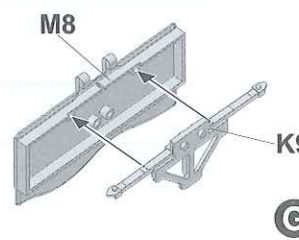
14



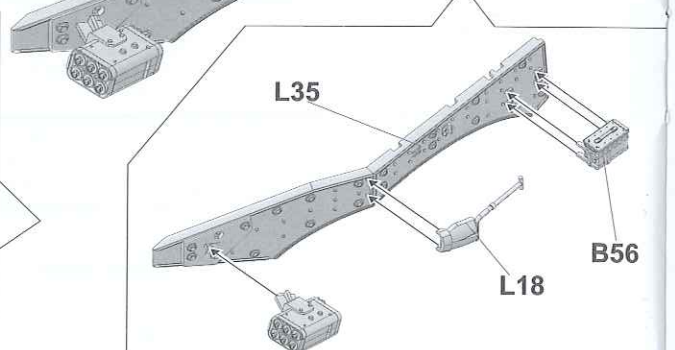
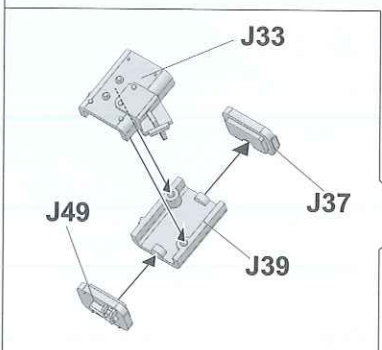
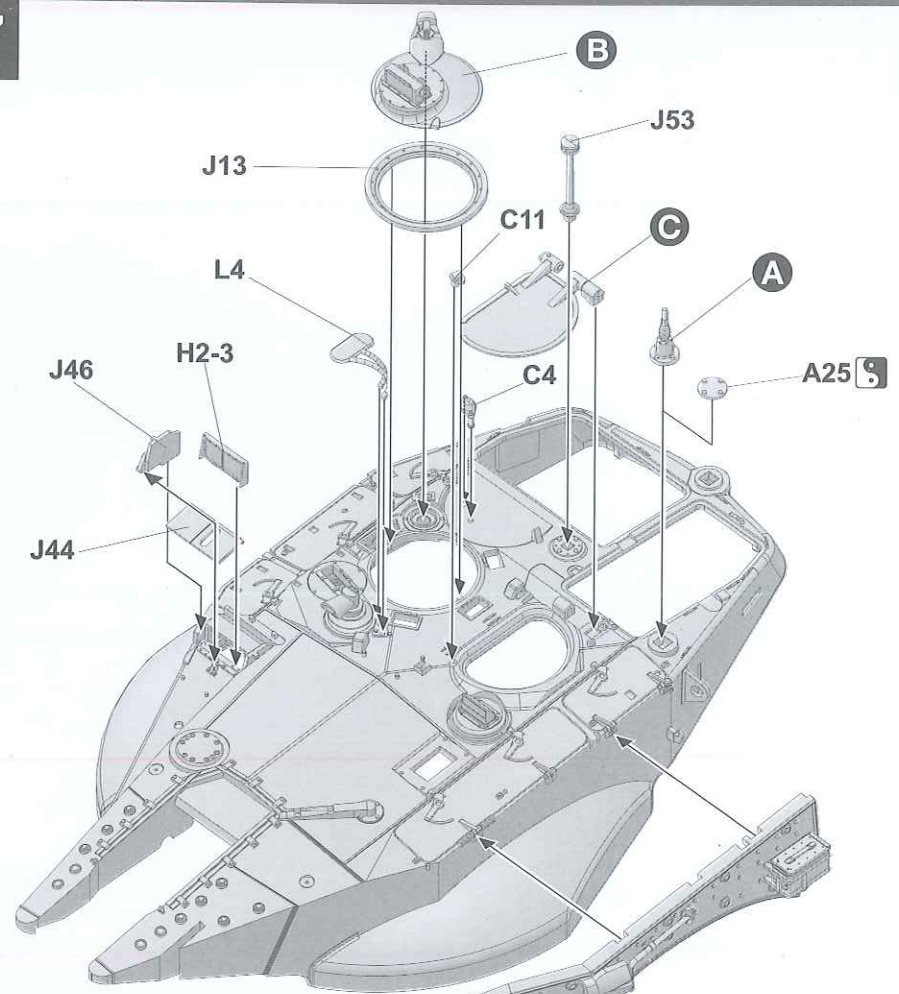
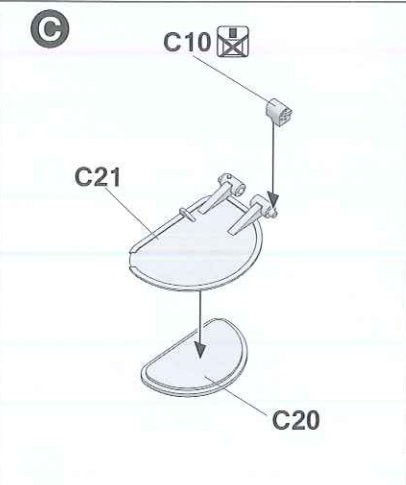
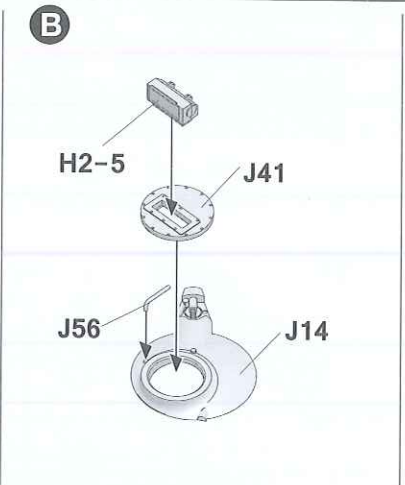
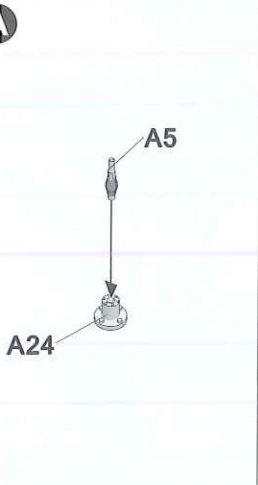
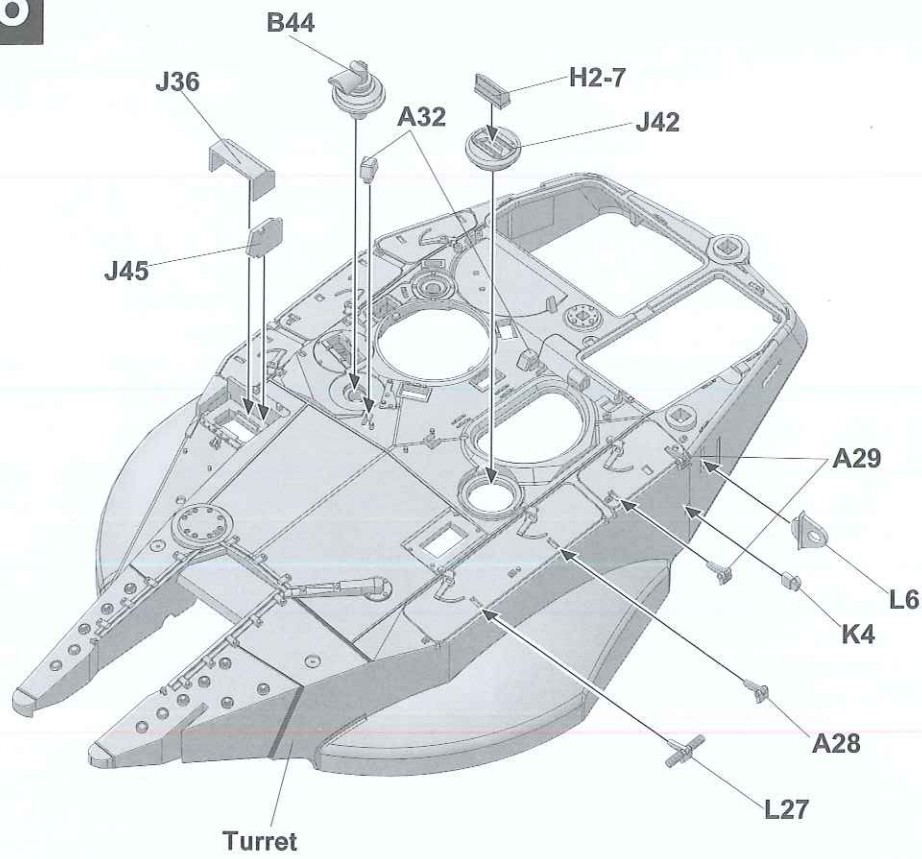
15

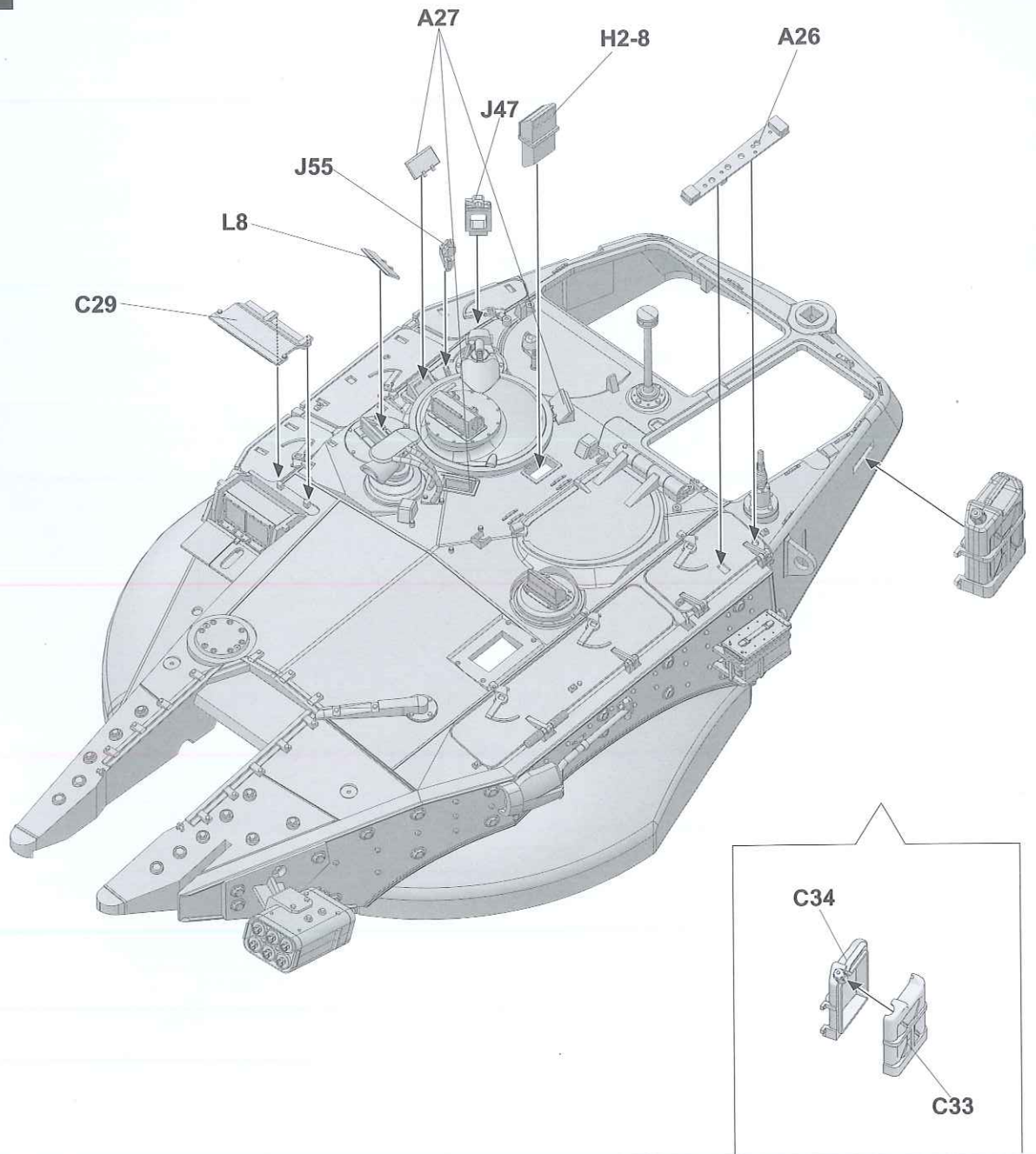
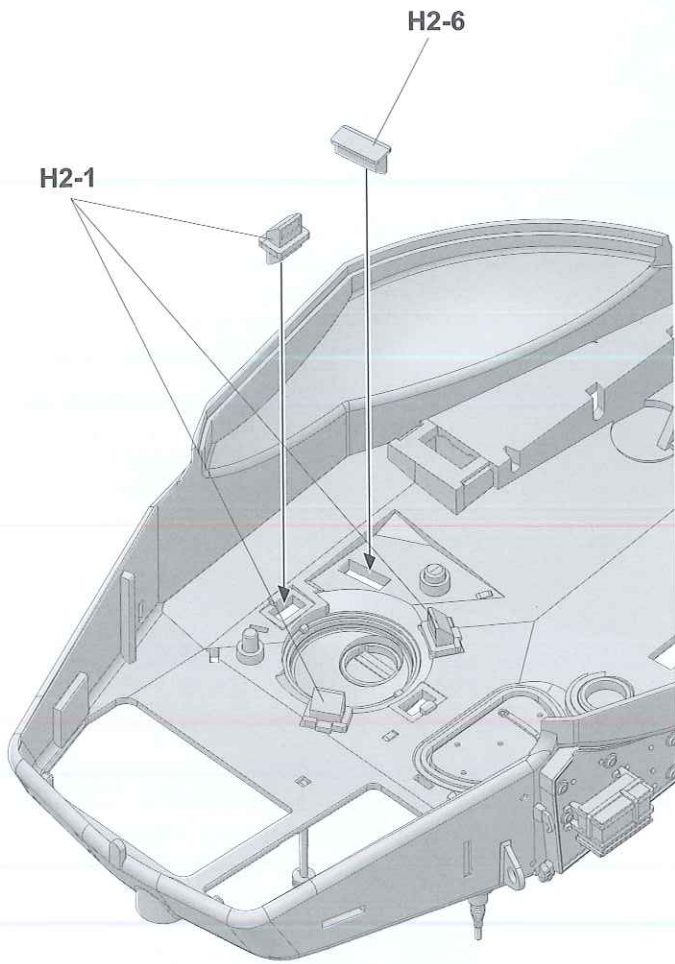


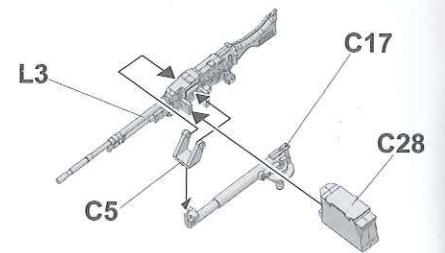
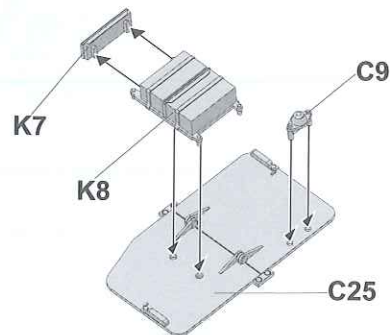
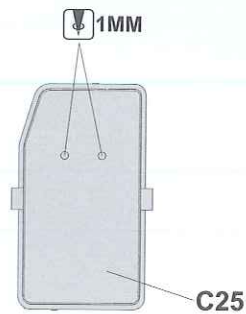
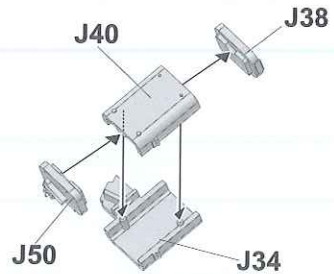
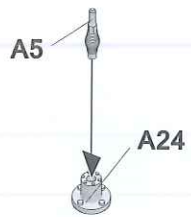
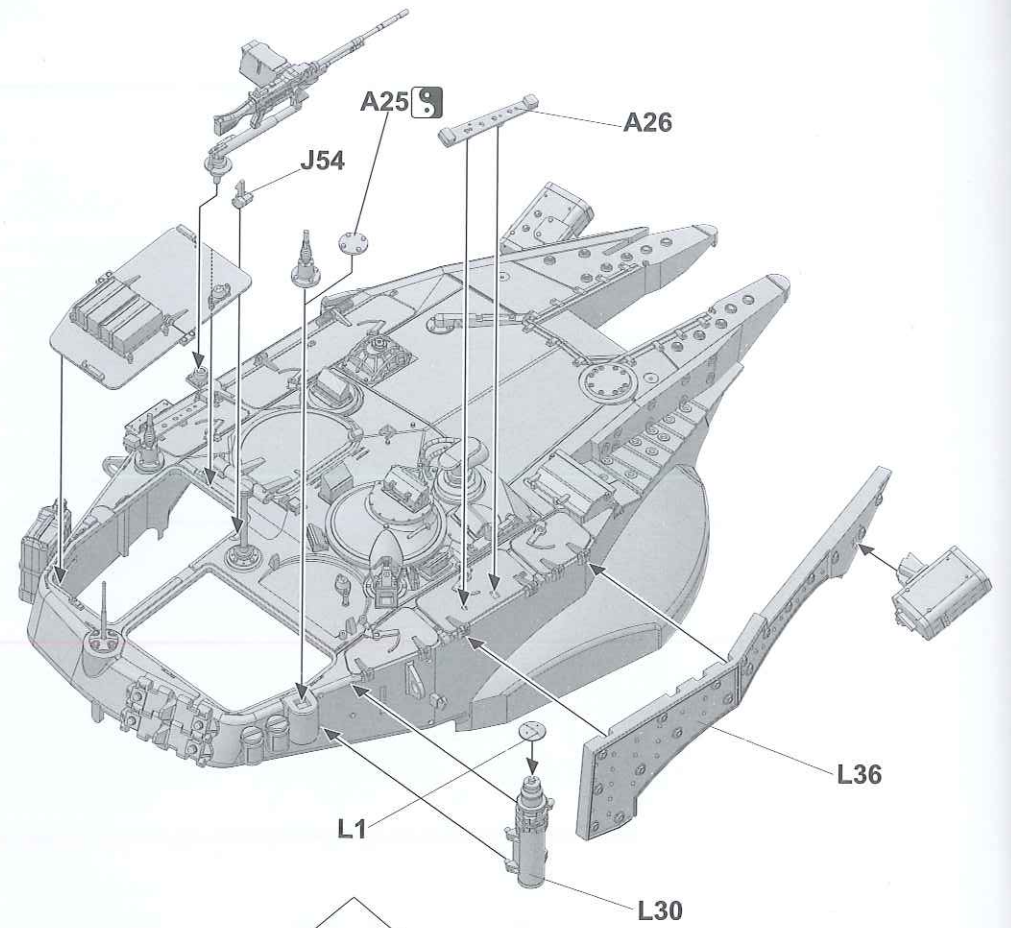
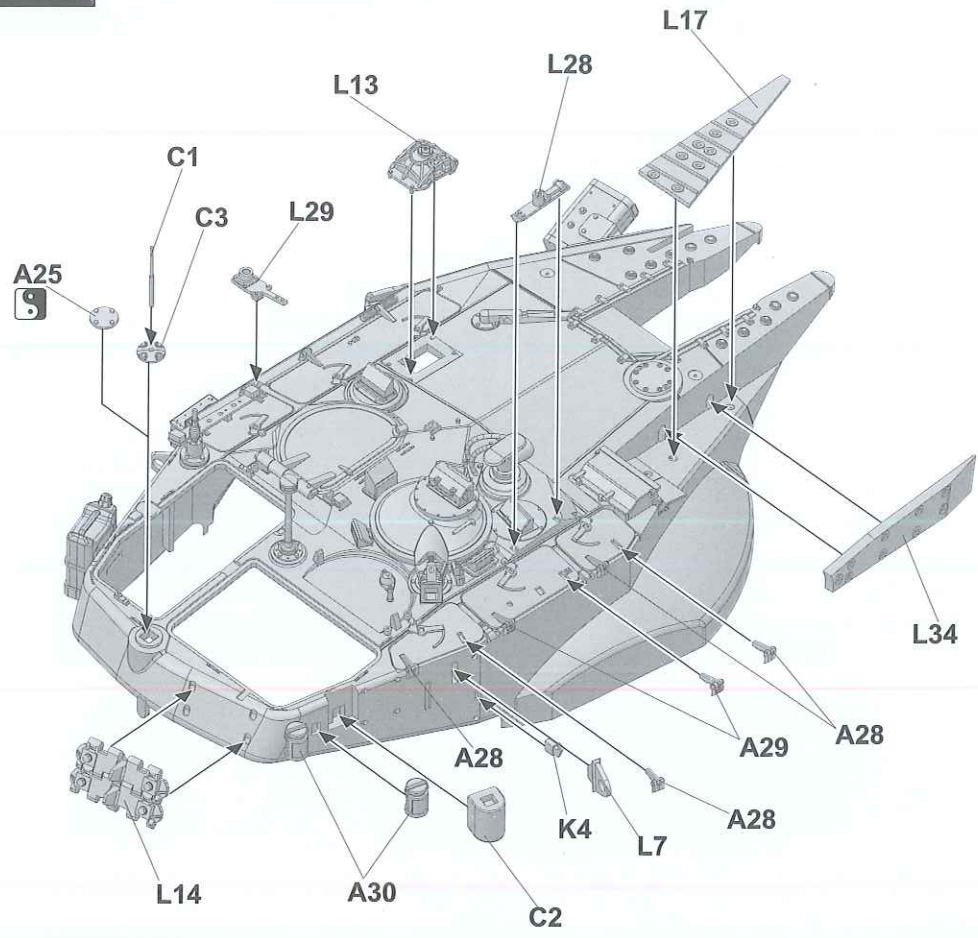
E



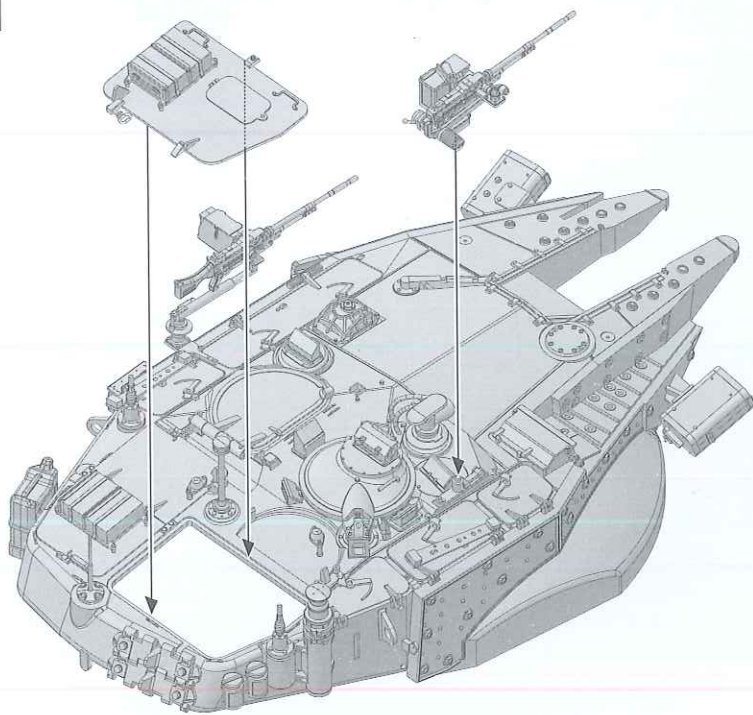
J



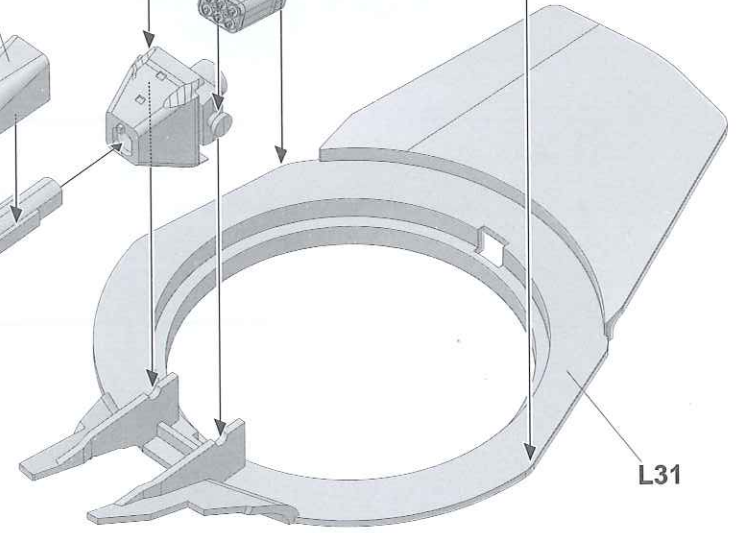
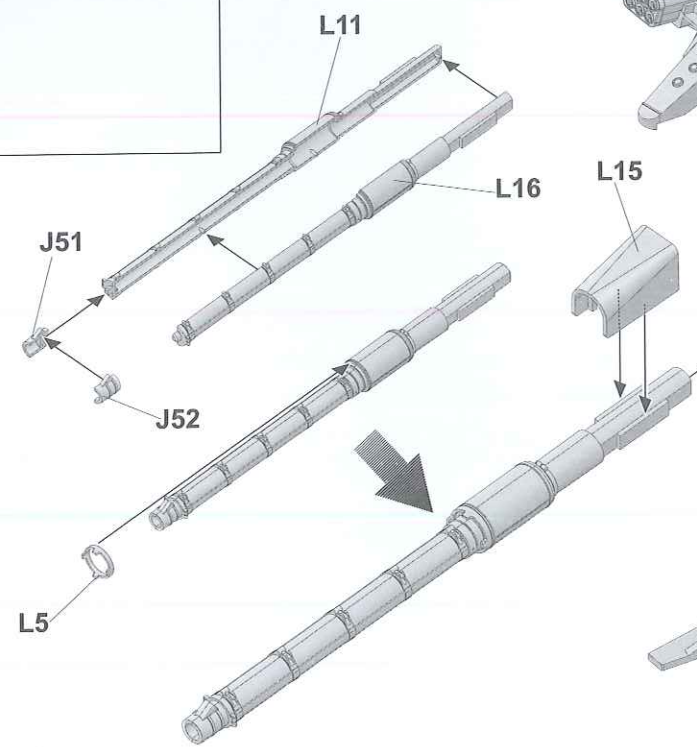
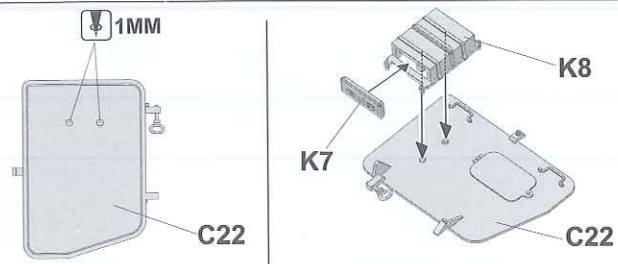
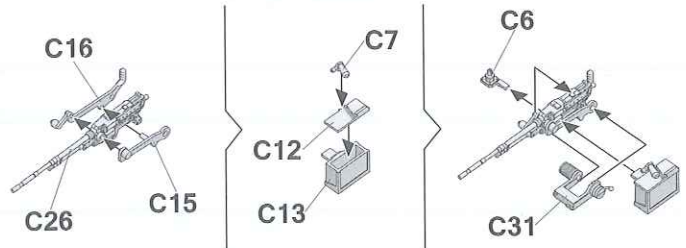
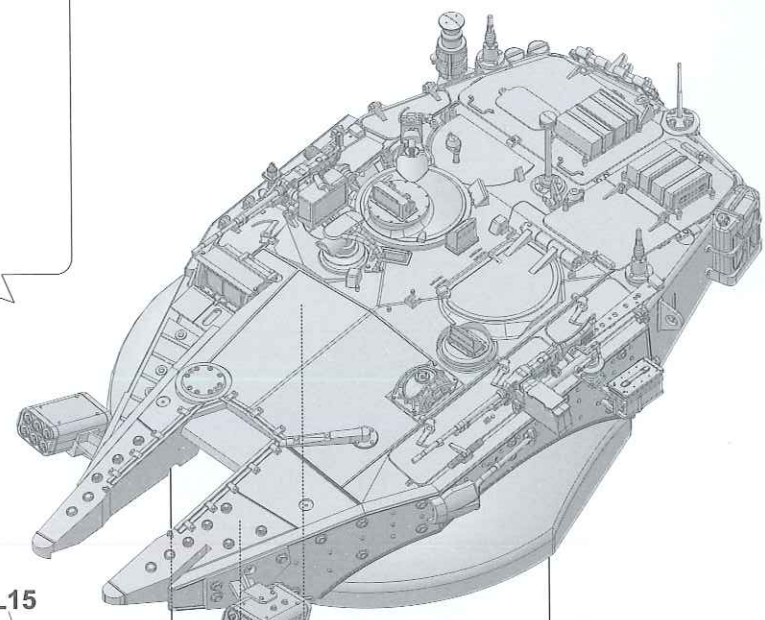
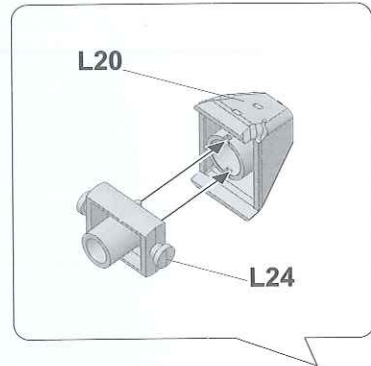


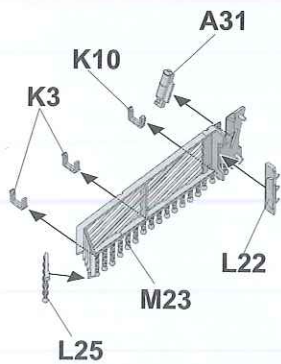
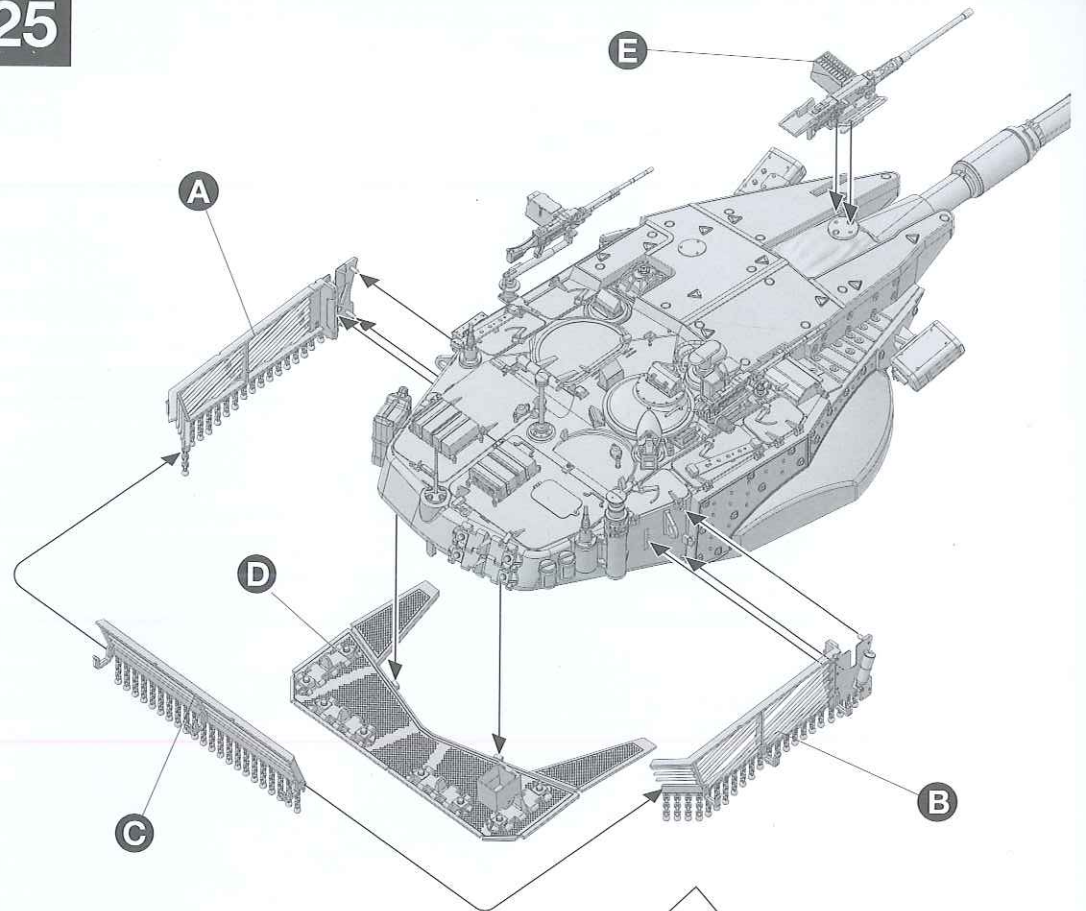
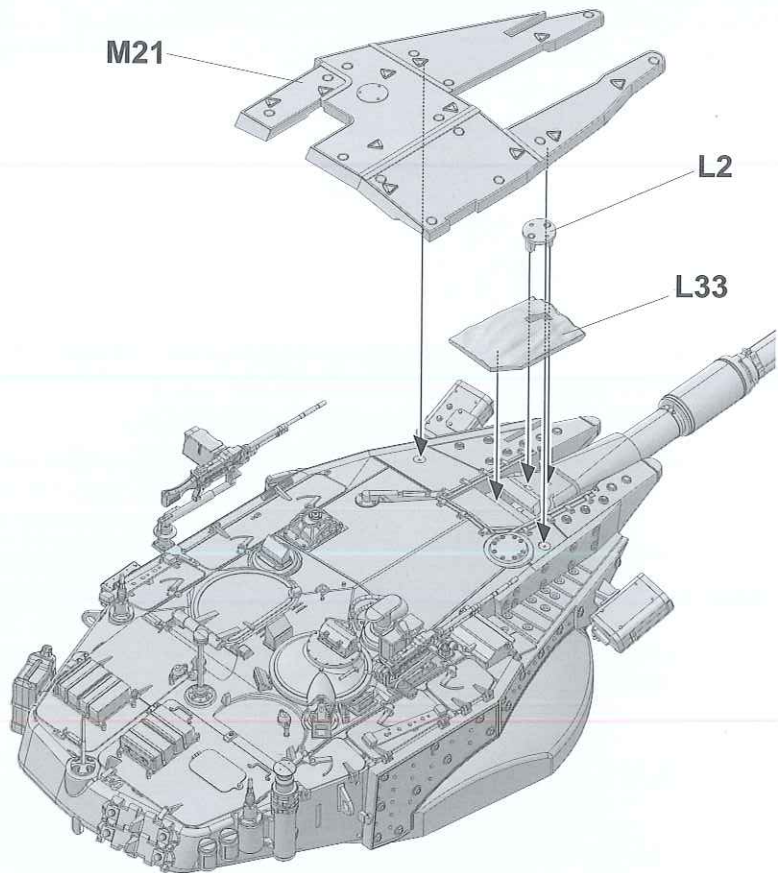


22

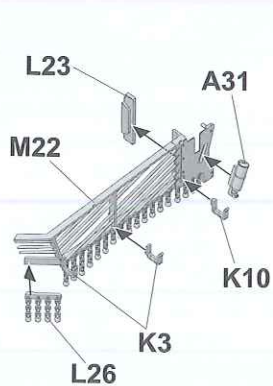


23

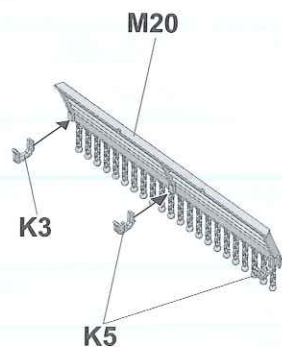




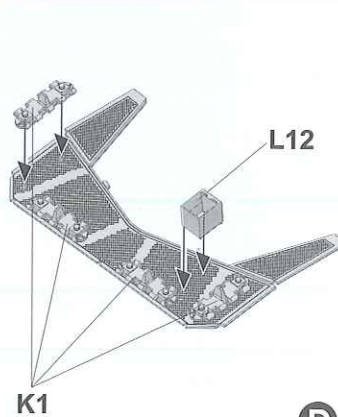
A



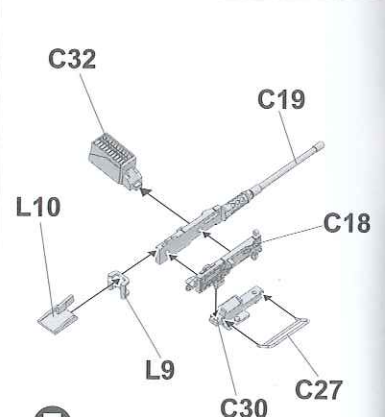
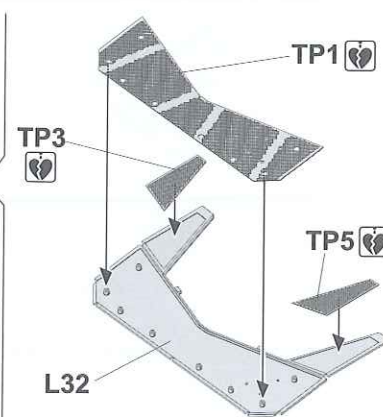
B



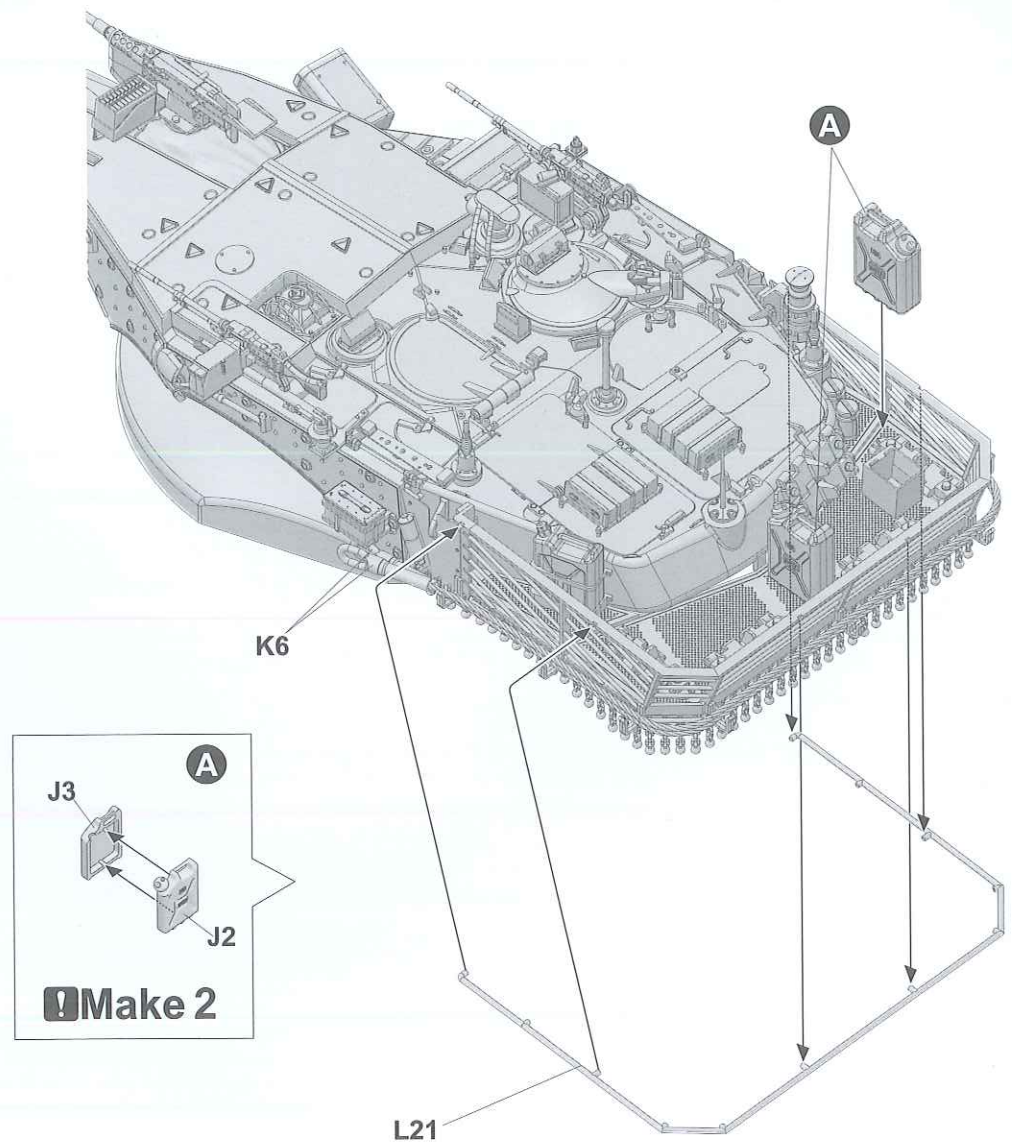
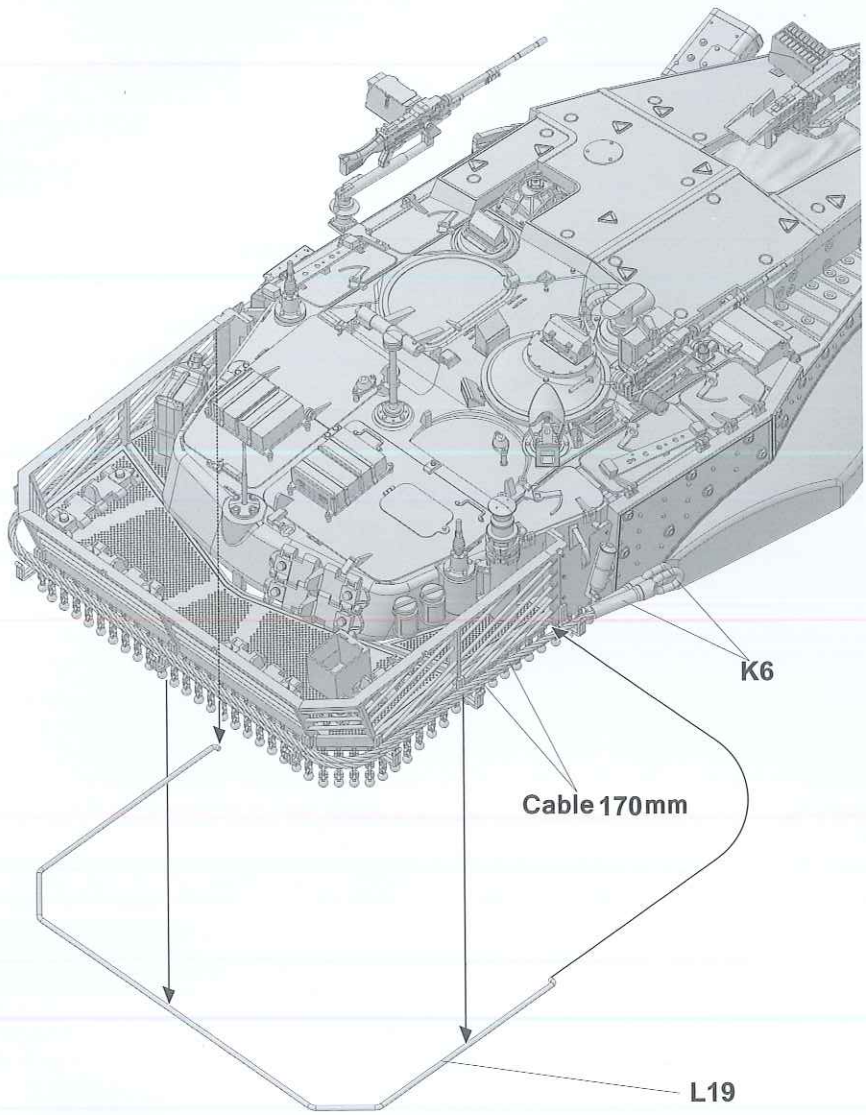
C



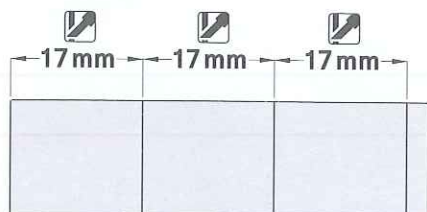
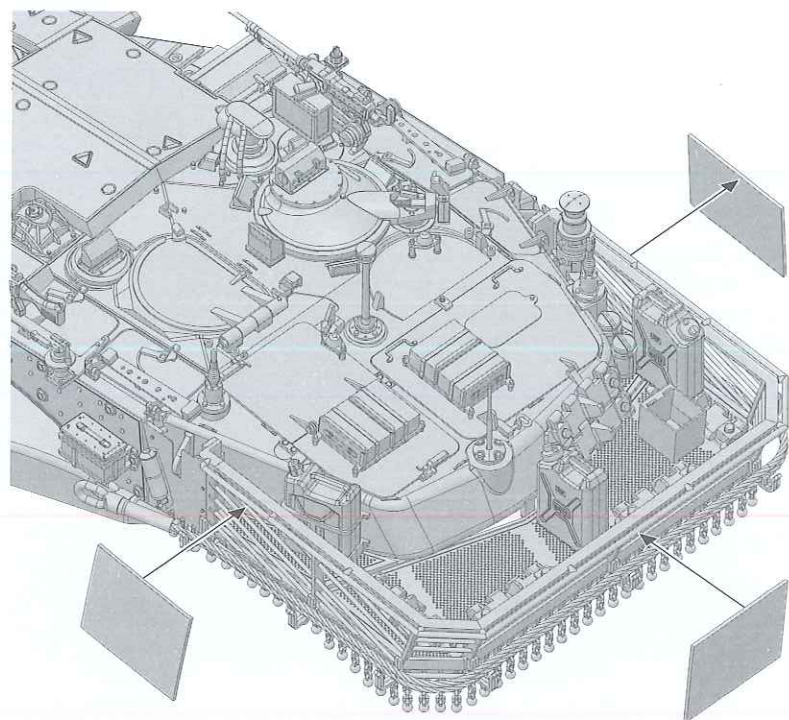
D



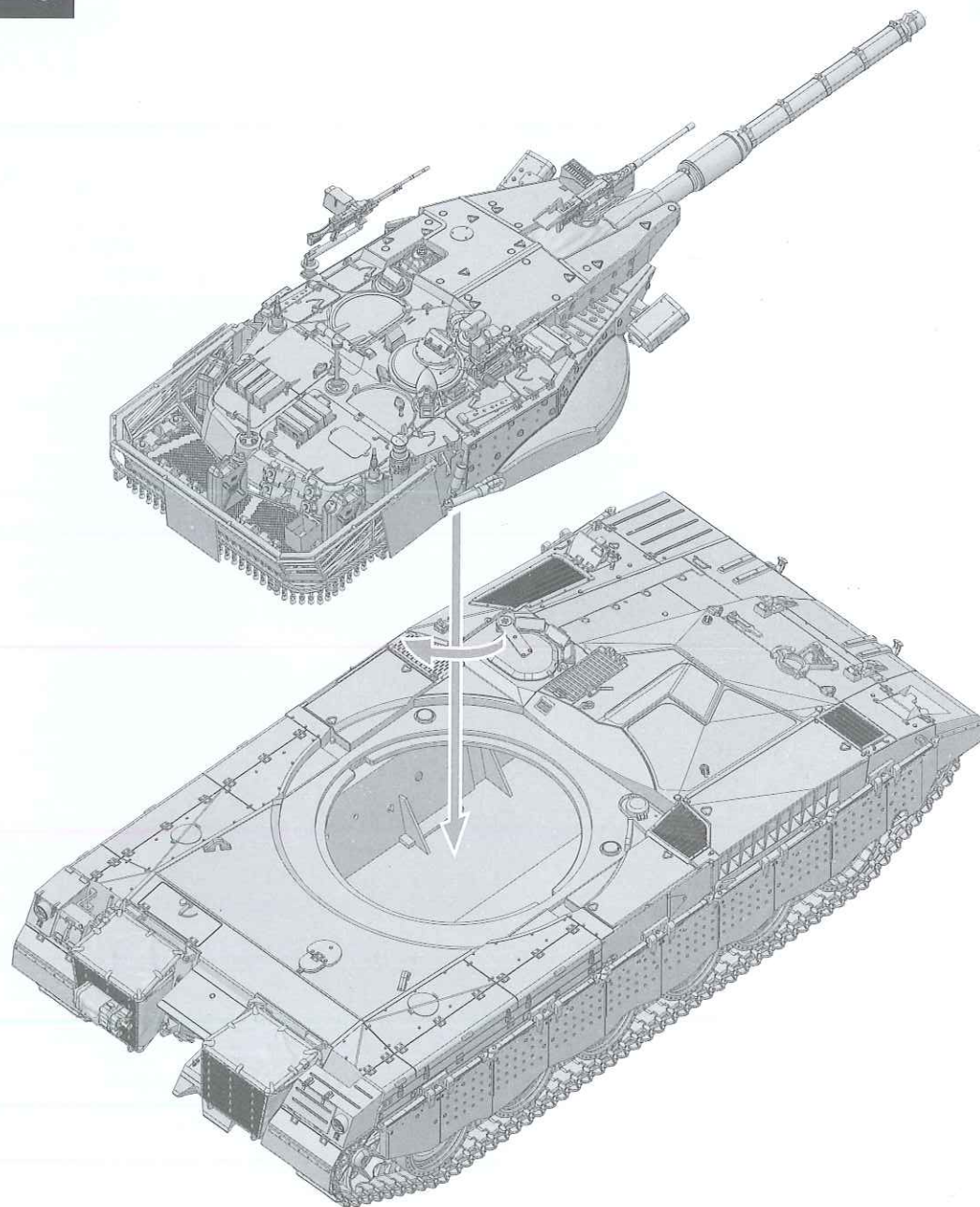
E



28



29



Merkava Mk.2B

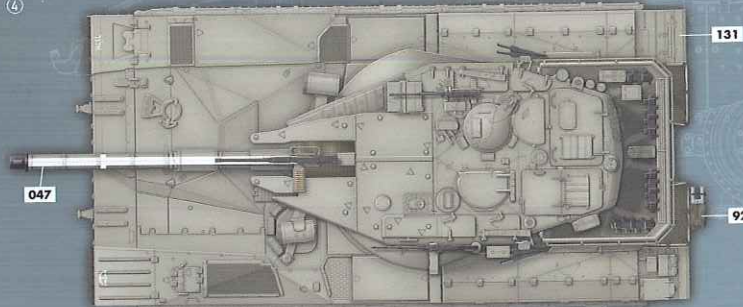
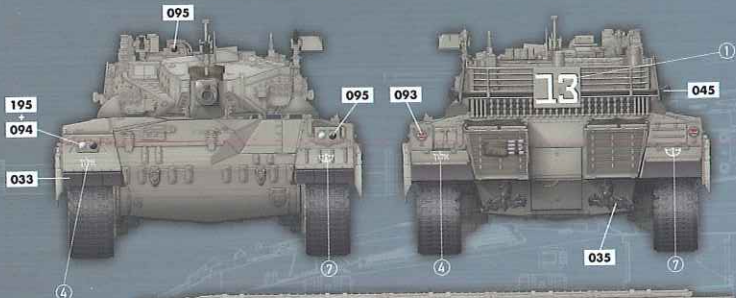
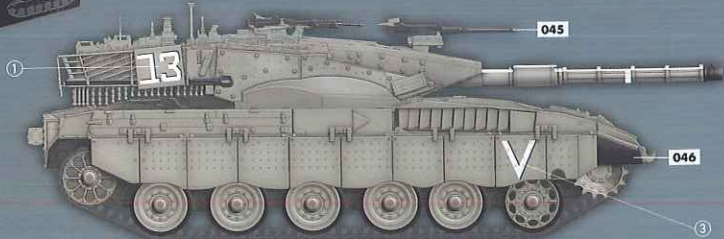
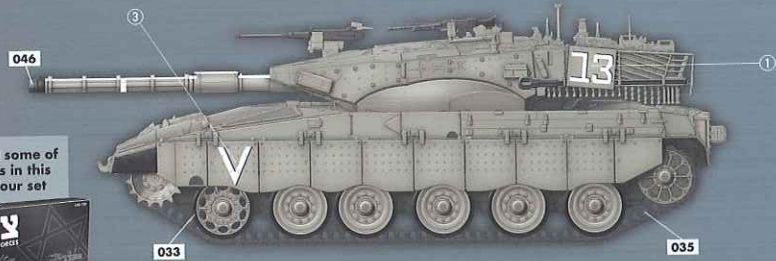


Painting and Marking Guide

- A.MIG 033 Rubber & Tires
- A.MIG 035 Dark Tracks
- A.MIG 045 Gun Metal
- A.MIG 093 Crystal Red
- A.MIG 094 Crystal Glass
- A.MIG 095 Crystal Smoke
- A.MIG 195 Silver
- A.MIG 927 Olive Drab Light Base
- A.MIG 046 Matt Black
- A.MIG 047 Satin White
- A.MIG 131 Real IDF Sinai Grey B2

1st Company ("Alon") of the 1st Battalion from 7th armor Brigade.

You can find some of these paints in this AMMO colour set



Merkava Mk.2B



Painting and Marking Guide

- A.MIG 033 Rubber & Tires
- A.MIG 035 Dark Tracks
- A.MIG 045 Gun Metal
- A.MIG 093 Crystal Red
- A.MIG 094 Crystal Glass
- A.MIG 095 Crystal Smoke
- A.MIG 195 Silver
- A.MIG 927 Olive Drab Light Base
- A.MIG 046 Matt Black
- A.MIG 047 Satin White
- A.MIG 131 Real IDF Sinai Grey B2

3rd Company of the 3rd Battalion from 7th armor Brigade.

You can find some of these paints in this AMMO colour set

