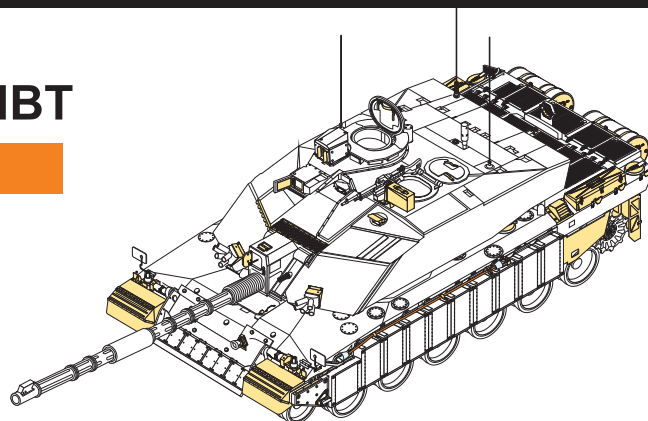


1/35 MILITARY MINIATURE VEHICLE UPGRADE SERIES PE35388

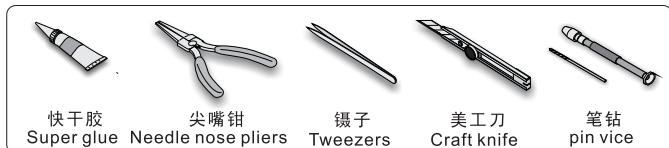
Modern British Challenger 2 MBT










现代英国挑战者-2型主战坦克


[For TRUMPETER 001522]



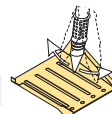
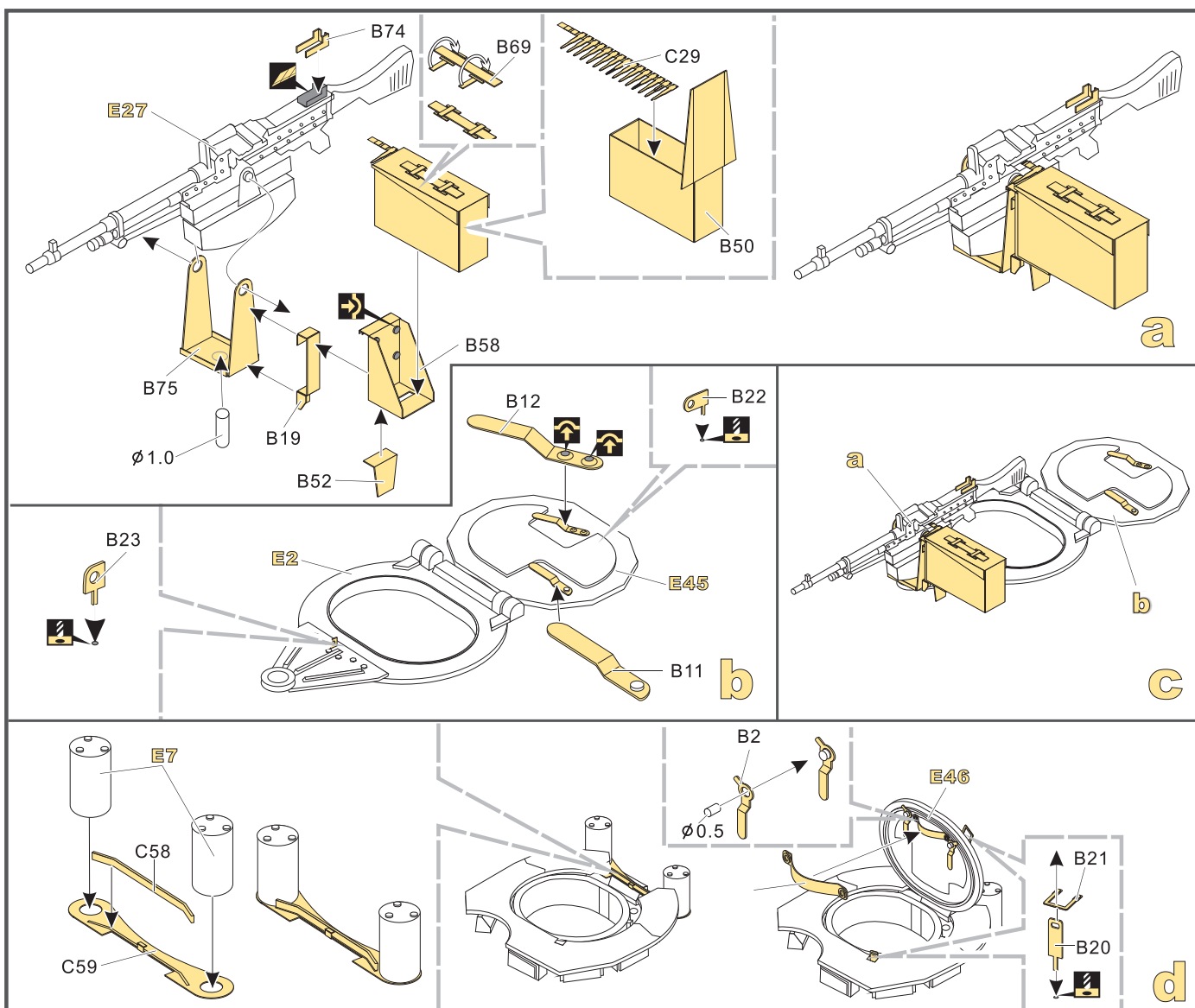
推荐使用工具 RECOMMENDED TOOLS



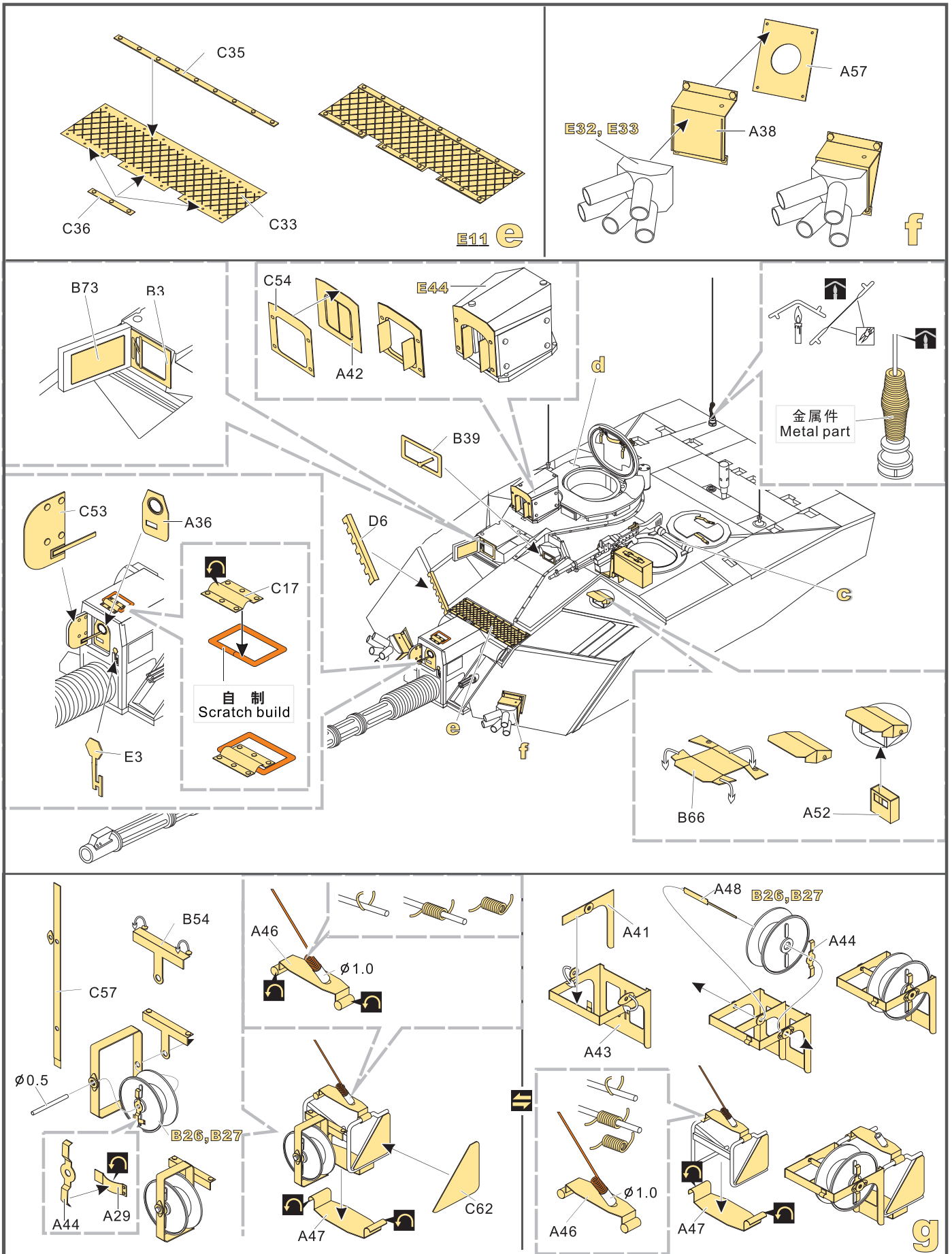
- 
 安装
install
- 
 折叠
bend
- A1**
 改造件零件编号
PE/resin part number
- B12**
 原零件编号
kit part number
- C22**
 被替换的原零件编号
replaced kit part number
- 
 另一侧相同制作
repeat on opposite side
- 
 切除
remove
- 
 打磨
grind off
- 
 弧度卷曲
radial bending
- x2**
 制作若干组
multiple assembly
- 
 选择安装
alternative
- 
 用铜管制作
make from brass tube
- 
 用胶棒制作
make from plastic rod


 用尖端在凹槽处冲压
use penpoint to press on the dent

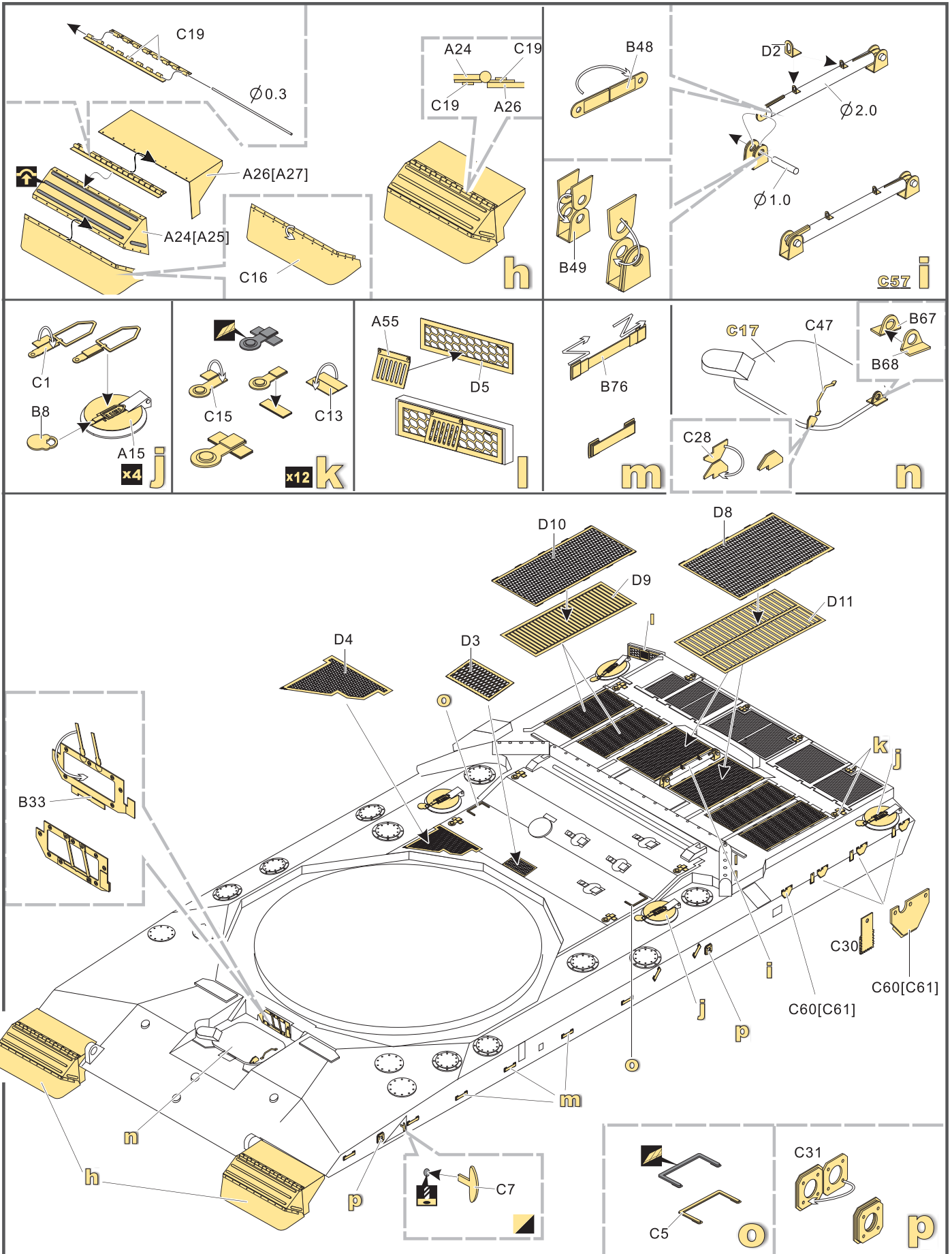
蚀刻片零件内侧面向上
Put the part upside down
 用笔尖在凹槽处刺
Use penpoint to press on the dent

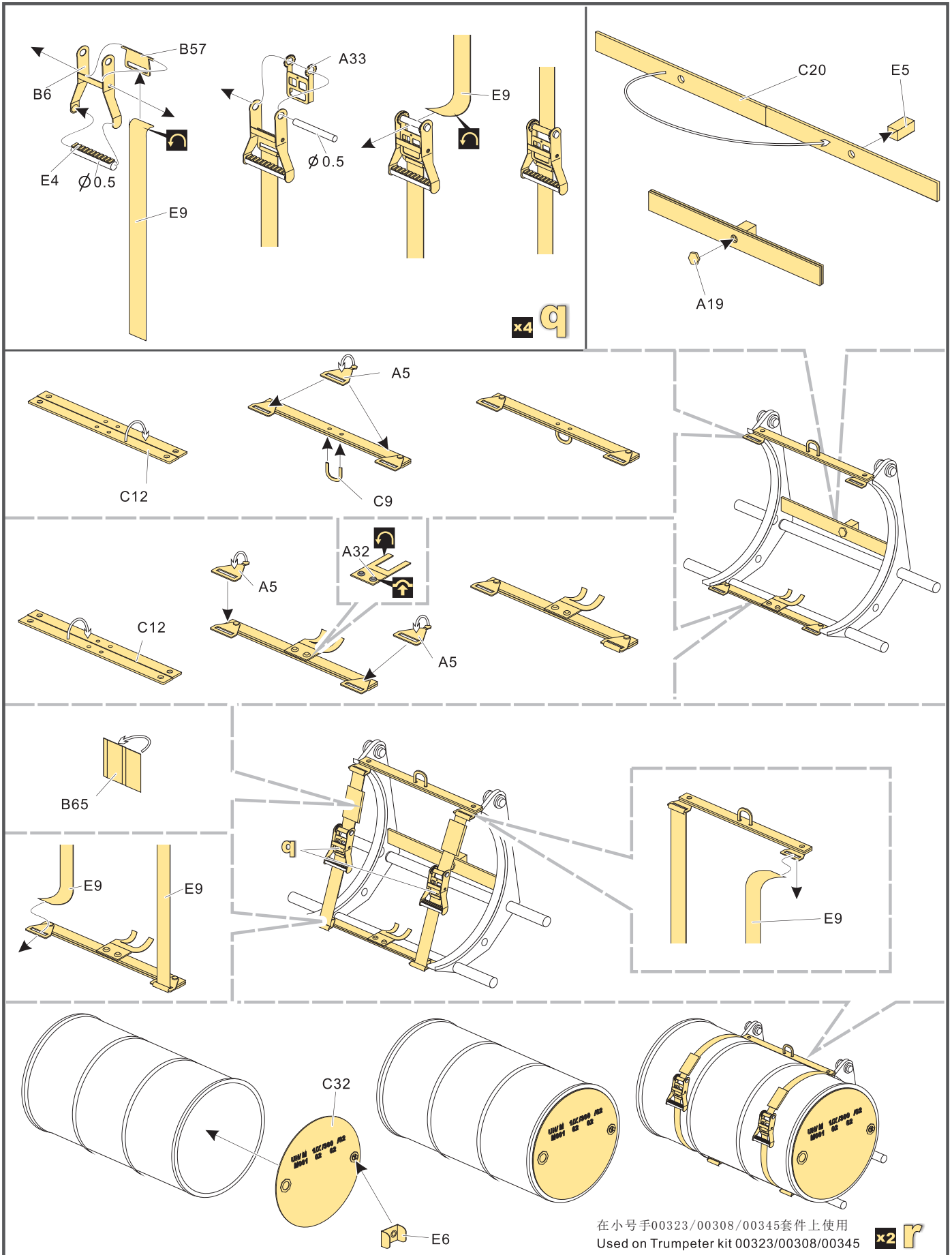
1/35 MILITARY MINIATURE VEHICLE UPGRADE SERIES PE35388



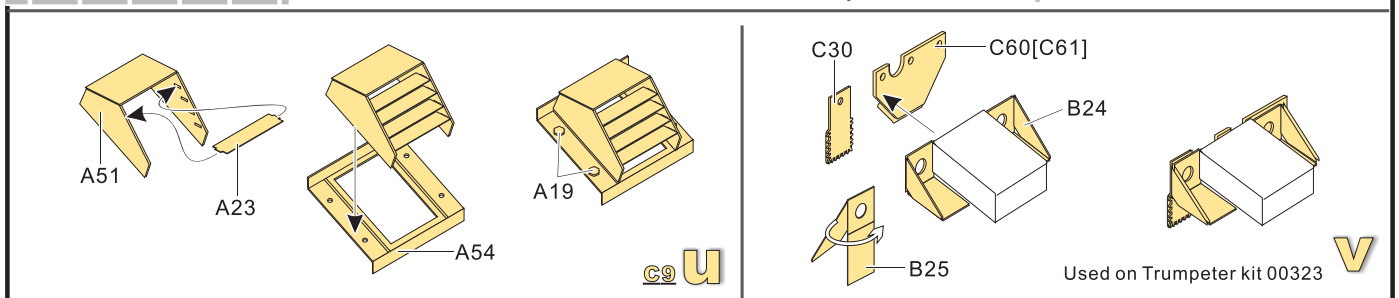
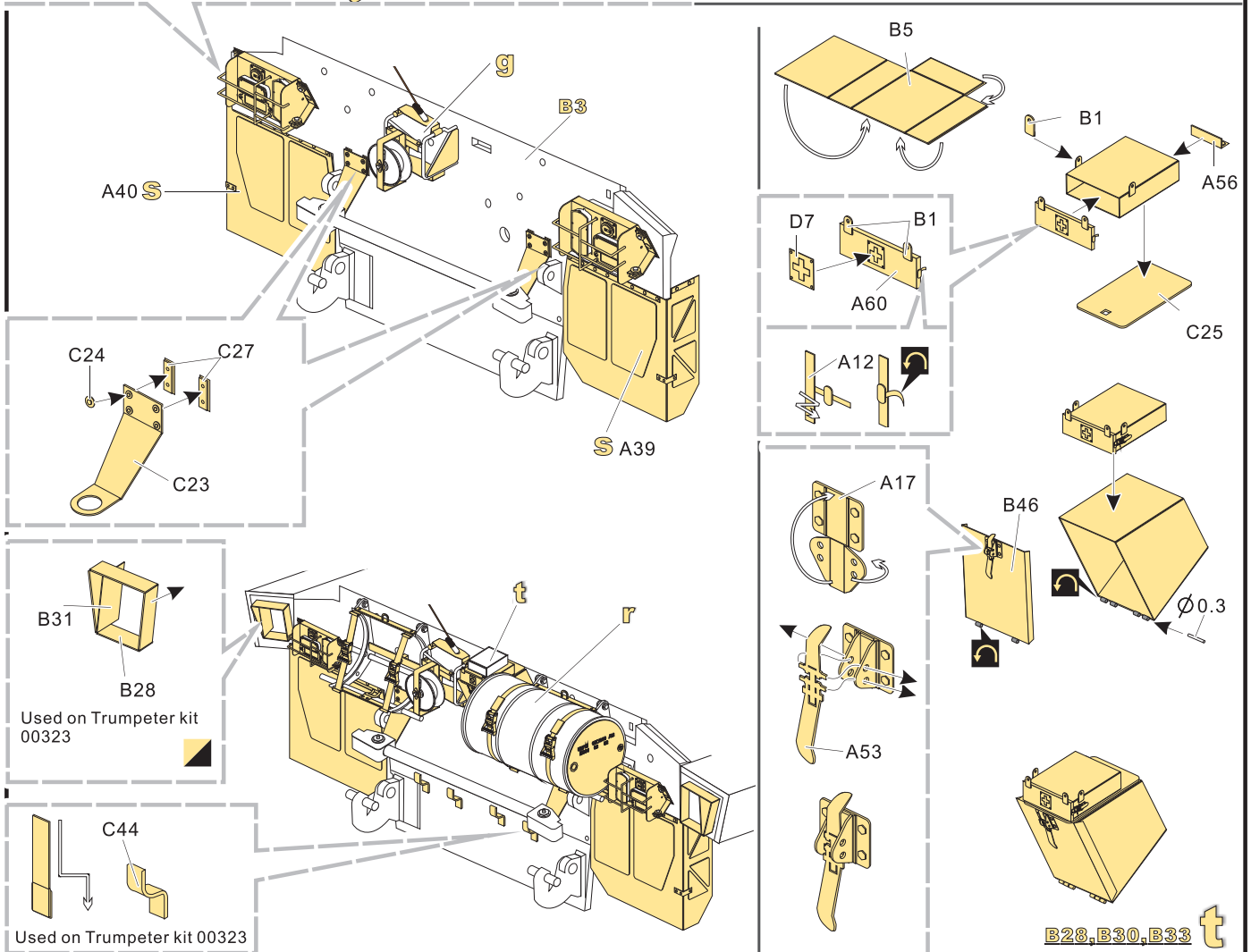
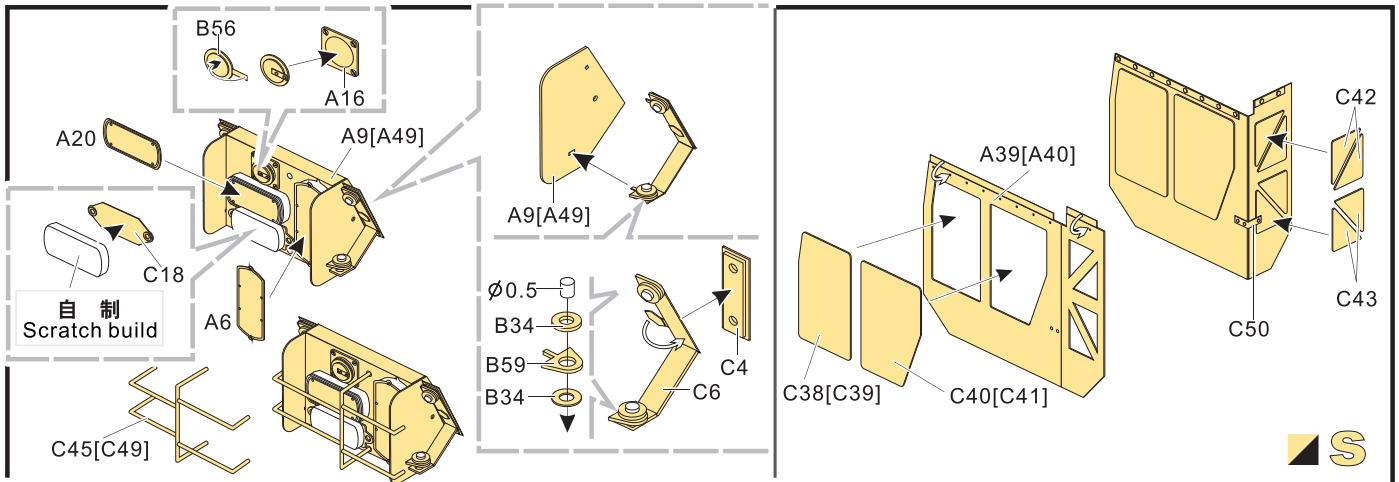
1/35 MILITARY MINIATURE VEHICLE UPGRADE SERIES PE35388



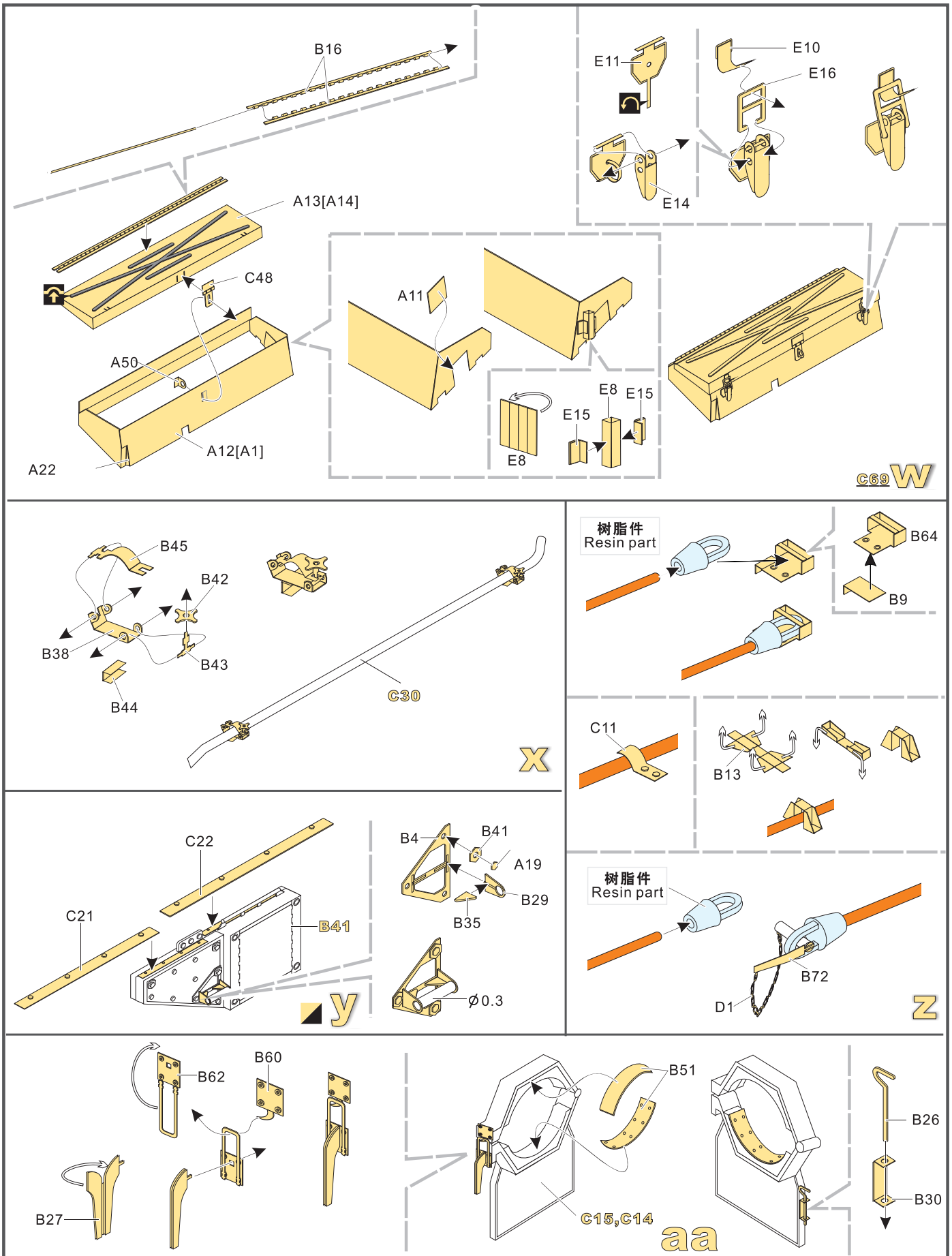
1/35 MILITARY MINIATURE VEHICLE UPGRADE SERIES PE35388



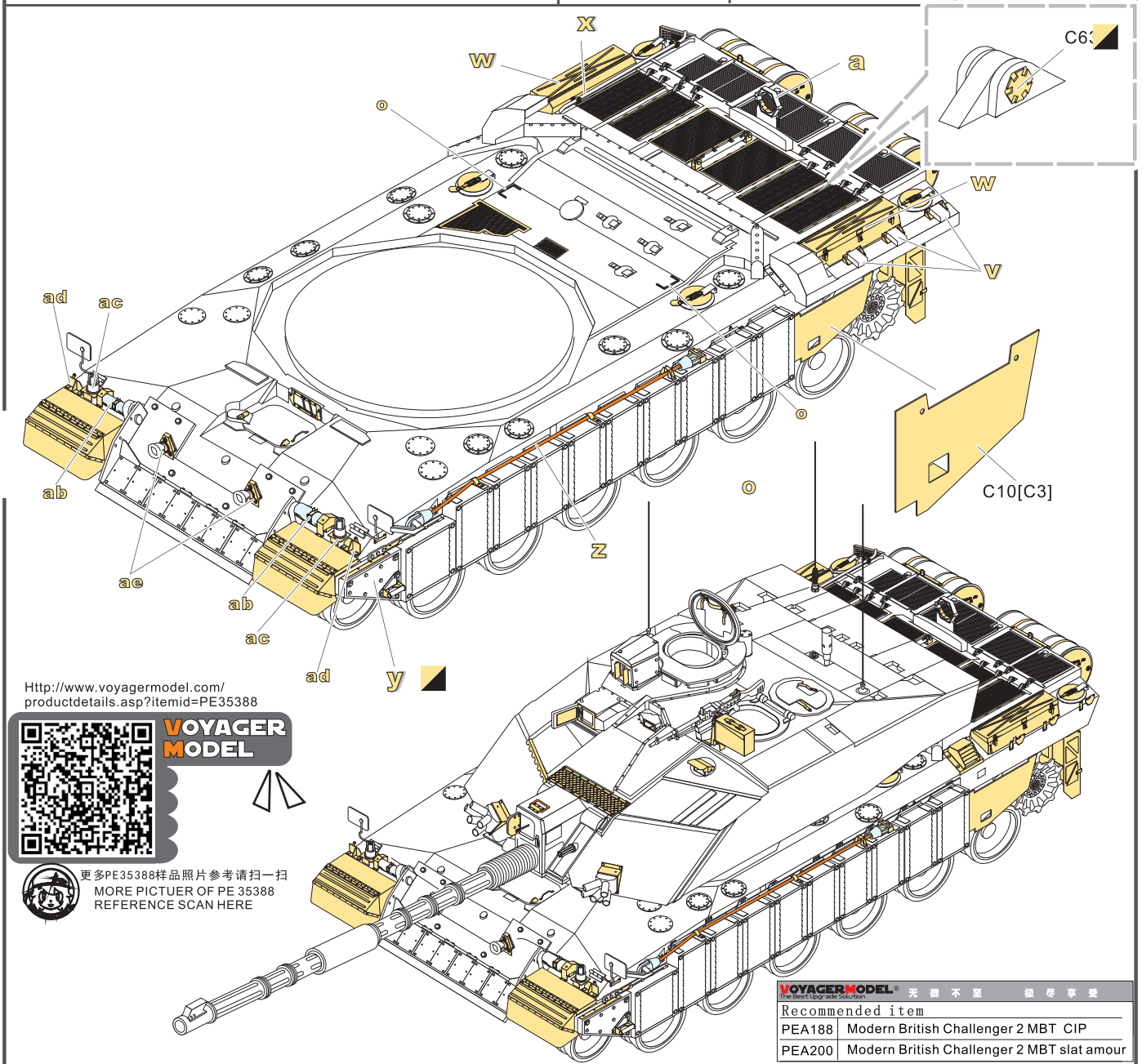
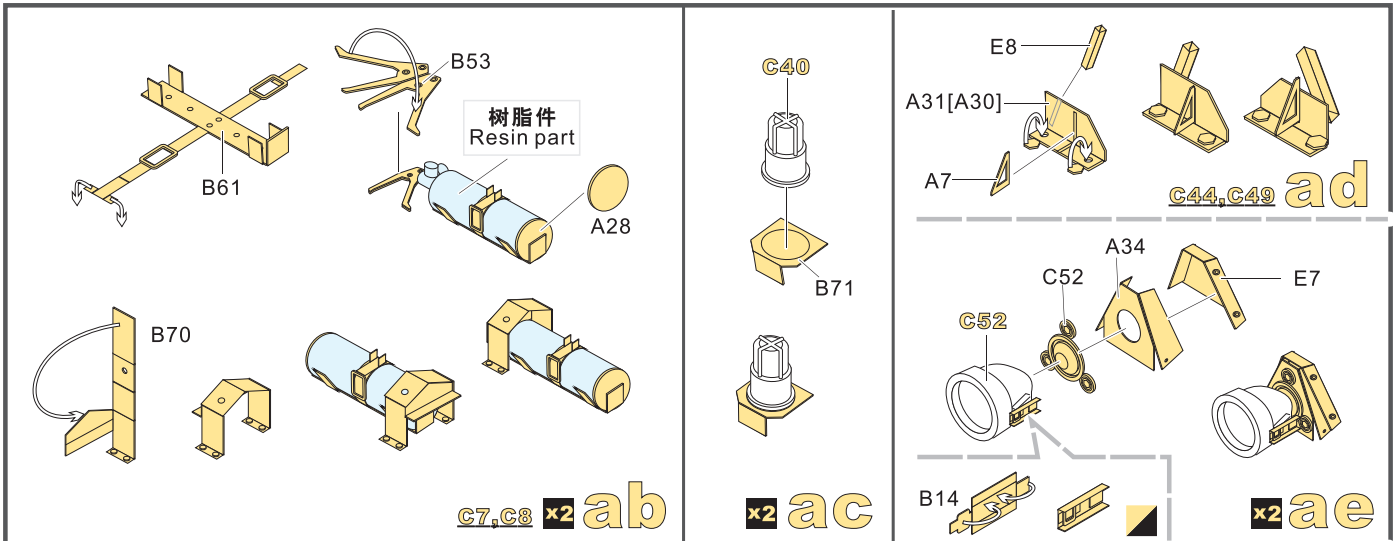
1/35 MILITARY MINIATURE VEHICLE UPGRADE SERIES PE35388



1/35 MILITARY MINIATURE VEHICLE UPGRADE SERIES PE35388



1/35 MILITARY MINIATURE VEHICLE UPGRADE SERIES PE35388



[Http://www.voyagermodel.com/
productdetails.asp?itemid=PE35388](http://www.voyagermodel.com/productdetails.asp?itemid=PE35388)



**VOYAGER
MODEL**



更多PE35388样品照片参考请扫一扫
MORE PICTUER OF PE 35388
REFERENCE SCAN HERE

| | |
|--------------------------------|--|
| VOYAGERMODEL® 无微不至 极尽享受 | |
| Recommended item | |
| PEA188 | Modern British Challenger 2 MBT CIP |
| PEA200 | Modern British Challenger 2 MBT slat amour |