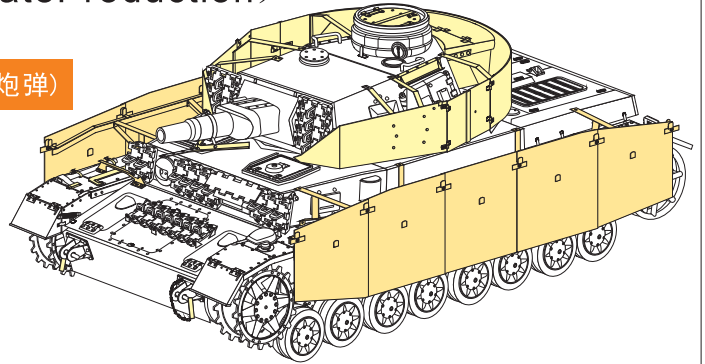


1/35 MILITARY MINIATURE VEHICLE UPGRADE SERIES PE351041

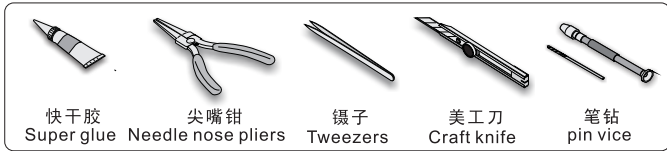
WWII German Pz.Kpfw.IV Ausf.F1 (Late Production) Basic (B ver included Ammo)

二战德军IV号坦克F1型后期批次基本改造件(B版本含炮弹)

[For Border BT-003]



■ 推荐使用工具 RECOMMENDED TOOLS



↑ 安装
install

↪ 折叠
bend

A1
改造件零件编号
PE/resin part number

B12
原零件编号
kit part number

C22
被替换的原零件编号
replaced kit part number

◀ 另一侧相同制作
repeat on opposite side

✂ 切除
remove

🔪 打磨
grind off

↻ 弧度卷曲
radial bending

✖2 制作若干组
multiple assembly

⇄ 选择安装
alternative

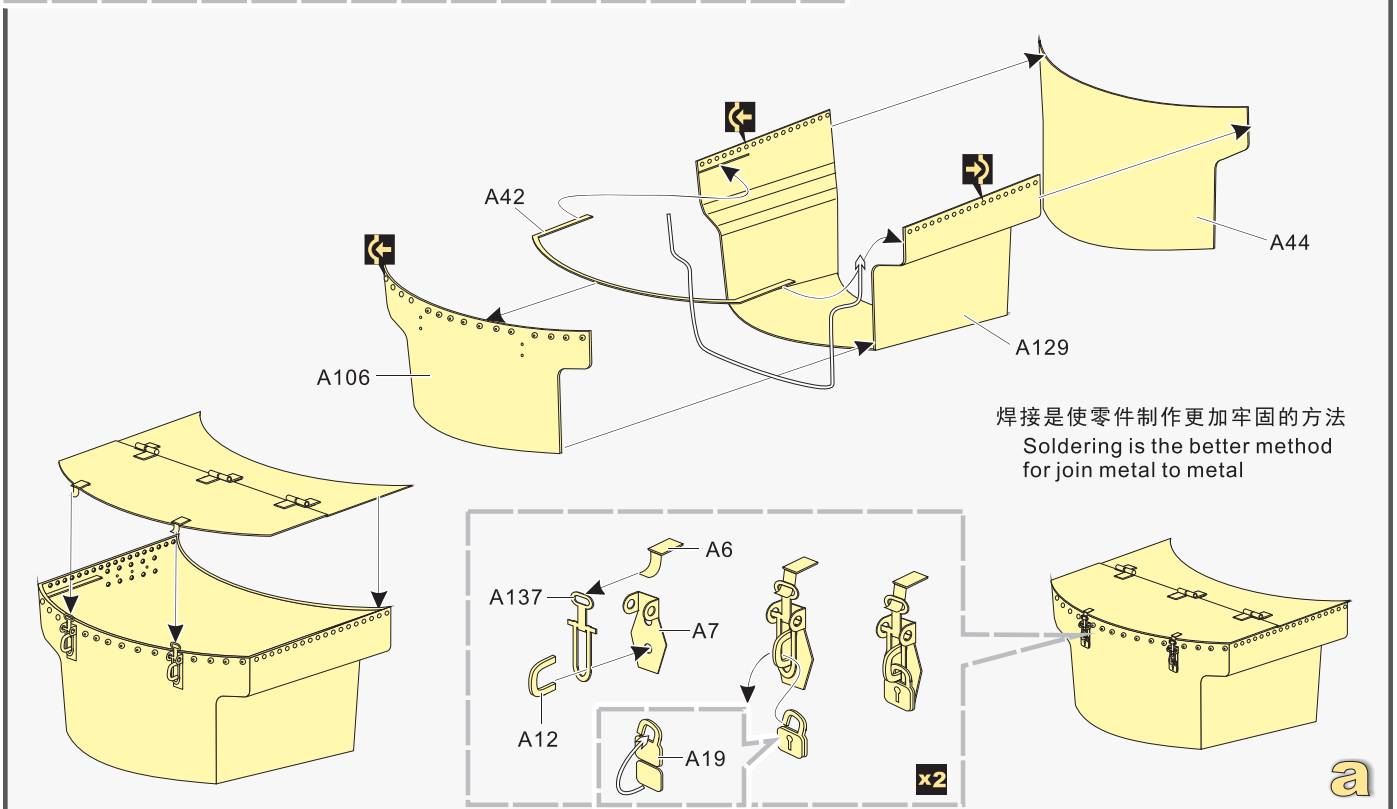
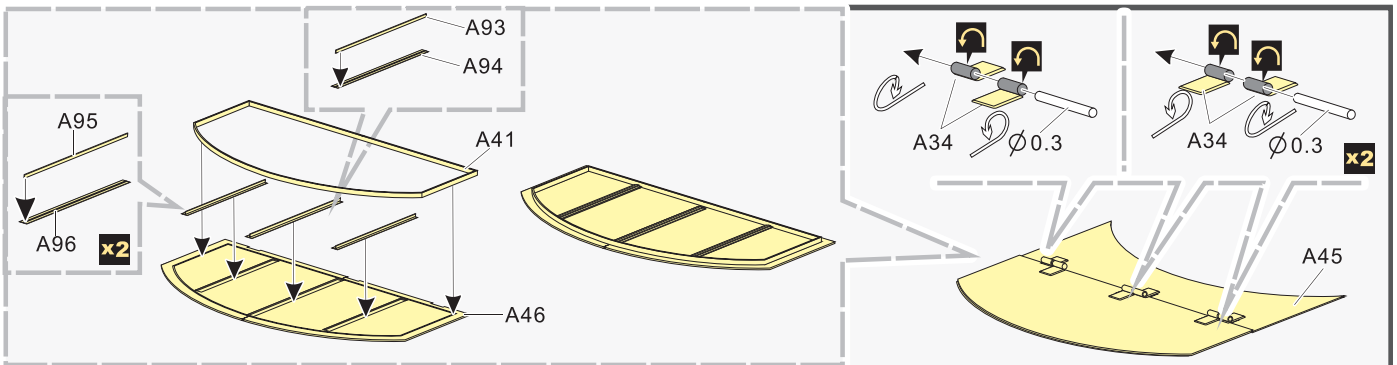
🔧 钻孔
drill

📌 用胶棒制作
make from plastic rod

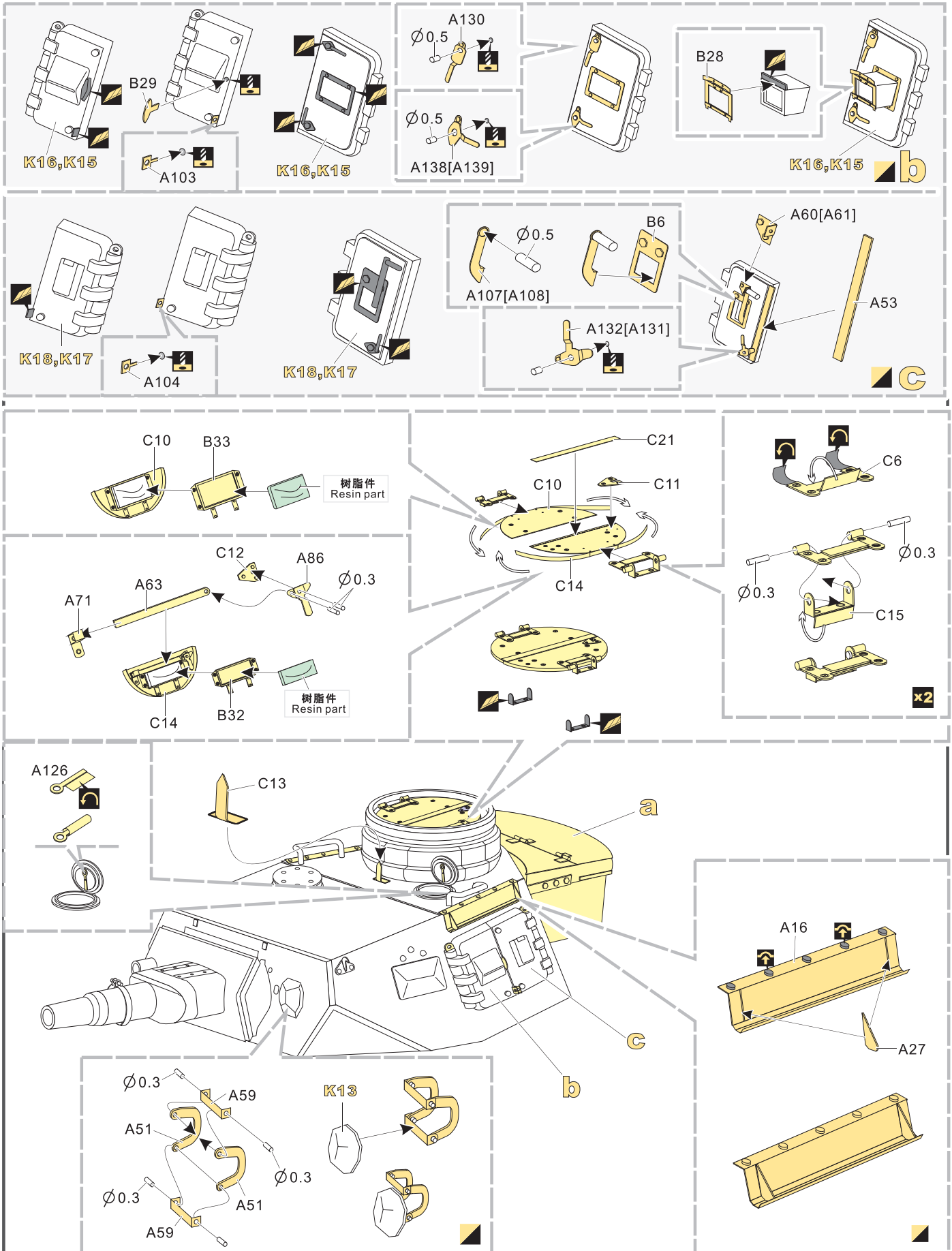
↓
用尖端在凹槽处冲压
use penpoint to press on the dent

蚀刻片零件内侧面向上
Put the part upside down

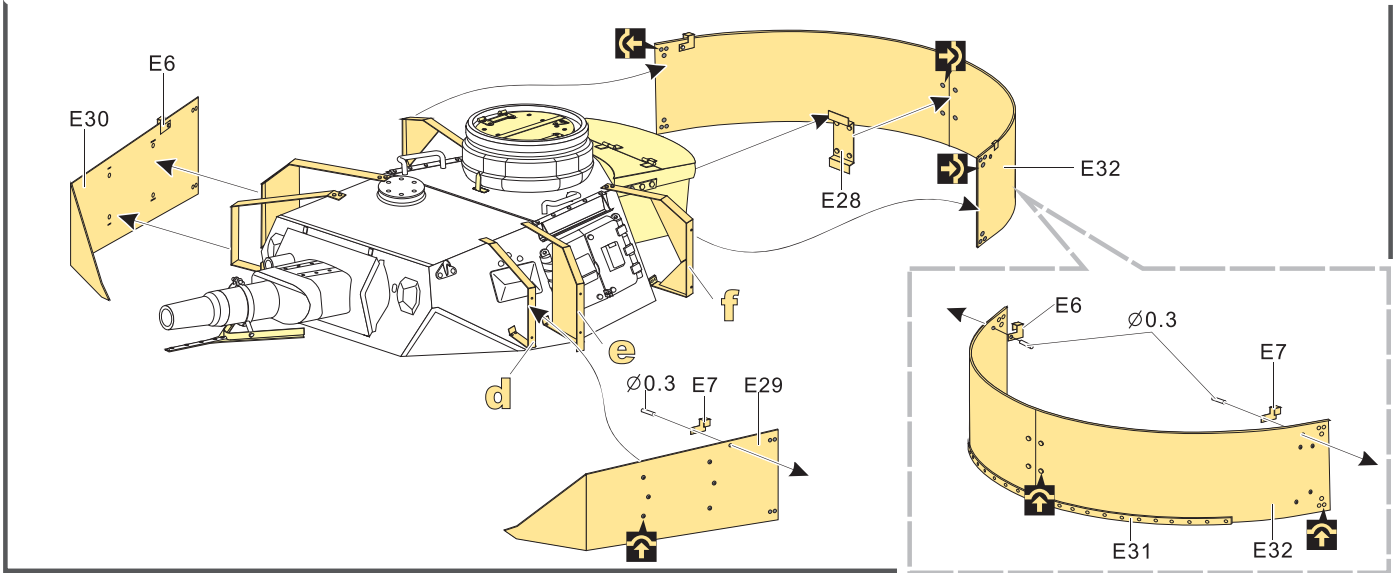
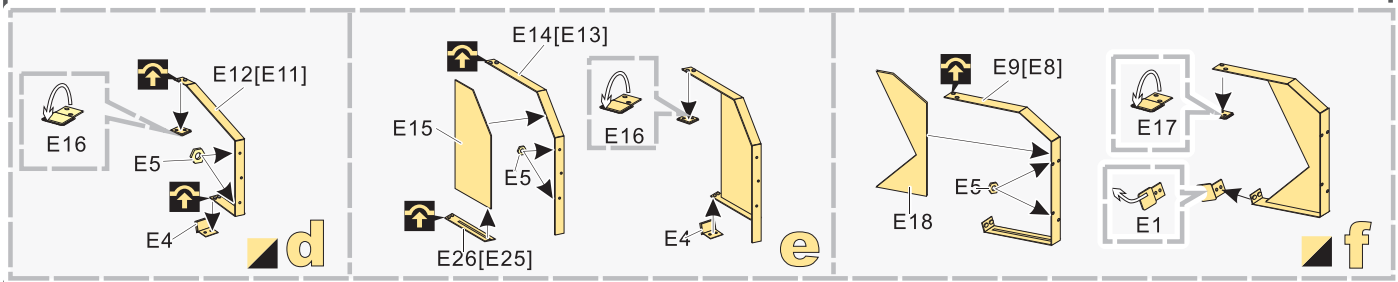
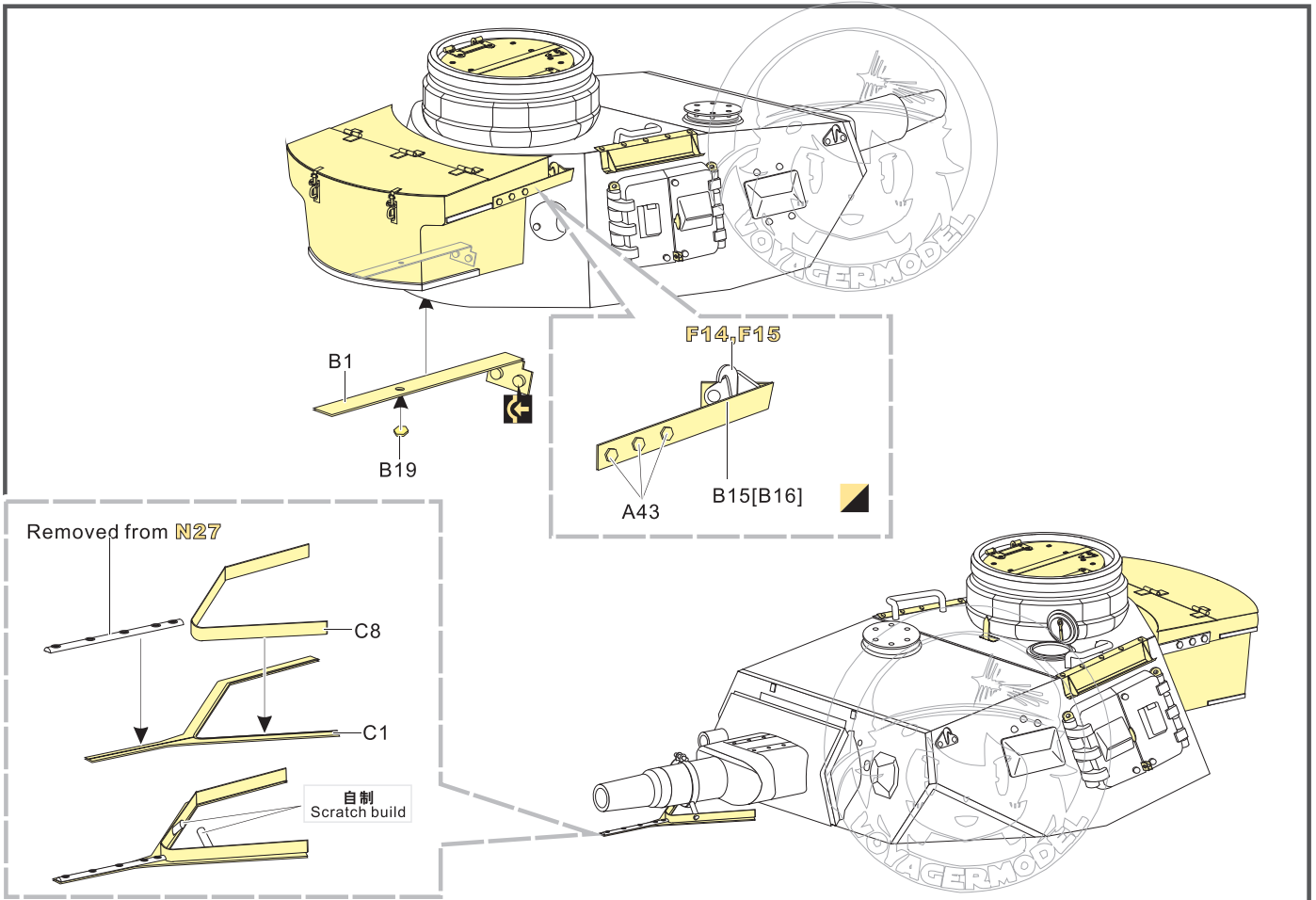
用笔尖在凹槽处刻
Use penpoint to press on the dent



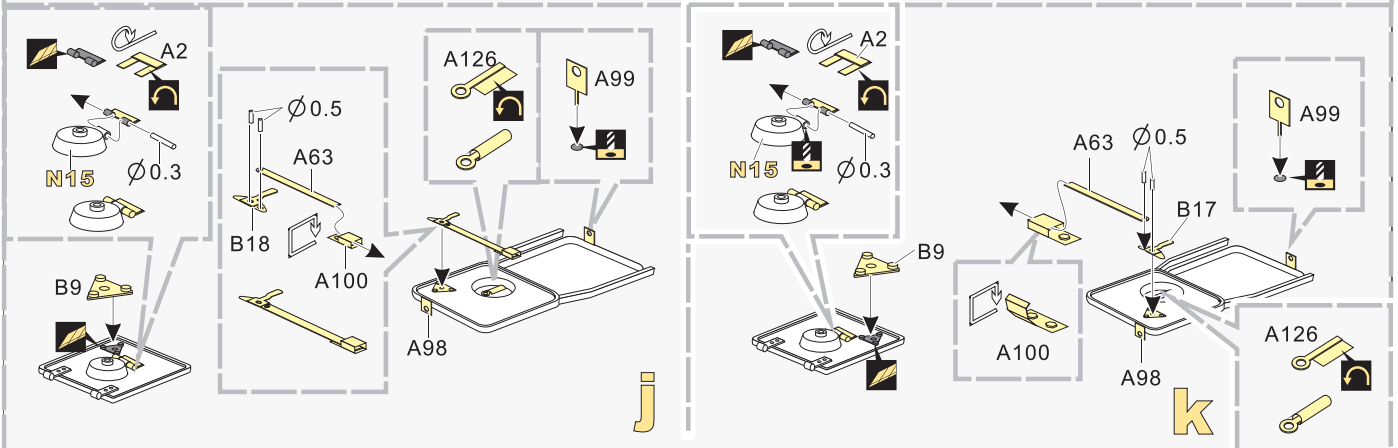
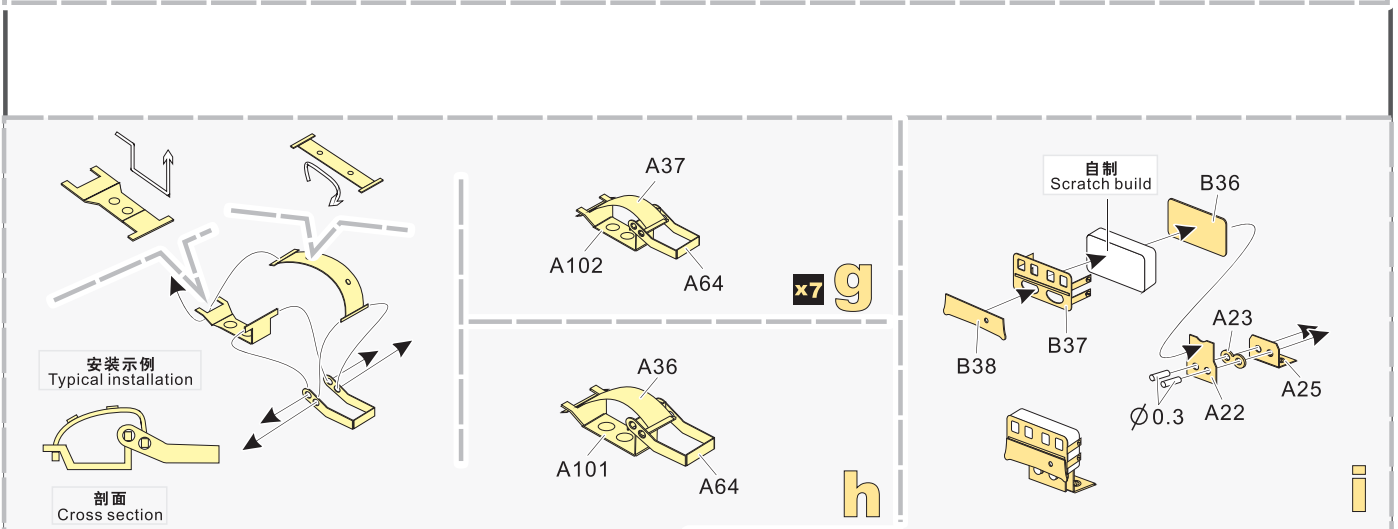
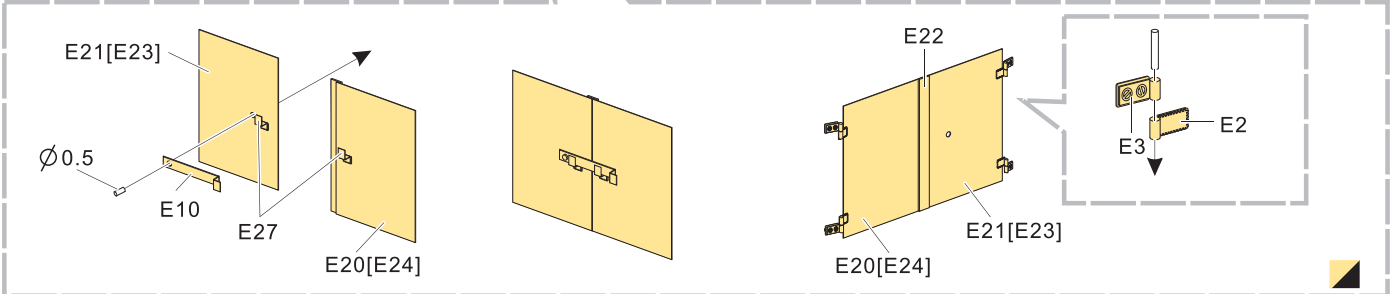
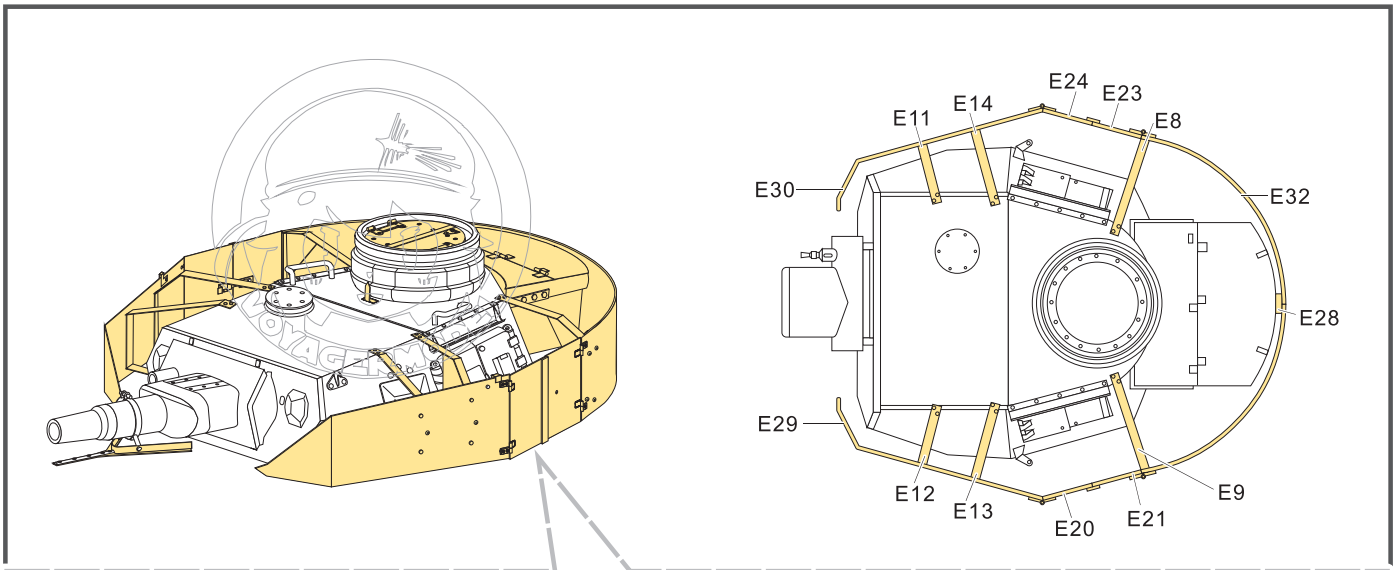
1/35 MILITARY MINIATURE VEHICLE UPGRADE SERIES PE351041



1/35 MILITARY MINIATURE VEHICLE UPGRADE SERIES PE351041



1/35 MILITARY MINIATURE VEHICLE UPGRADE SERIES PE351041

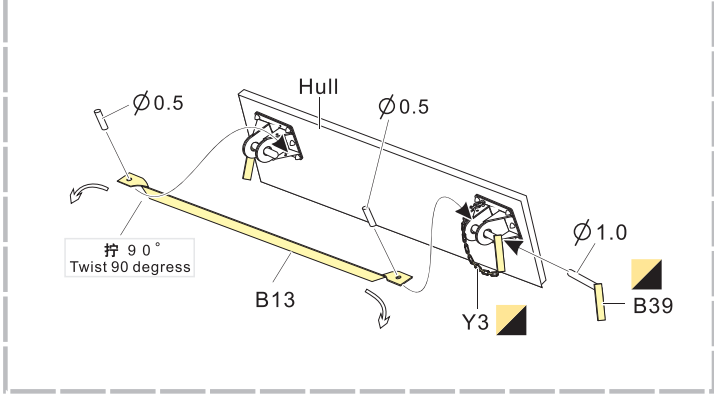
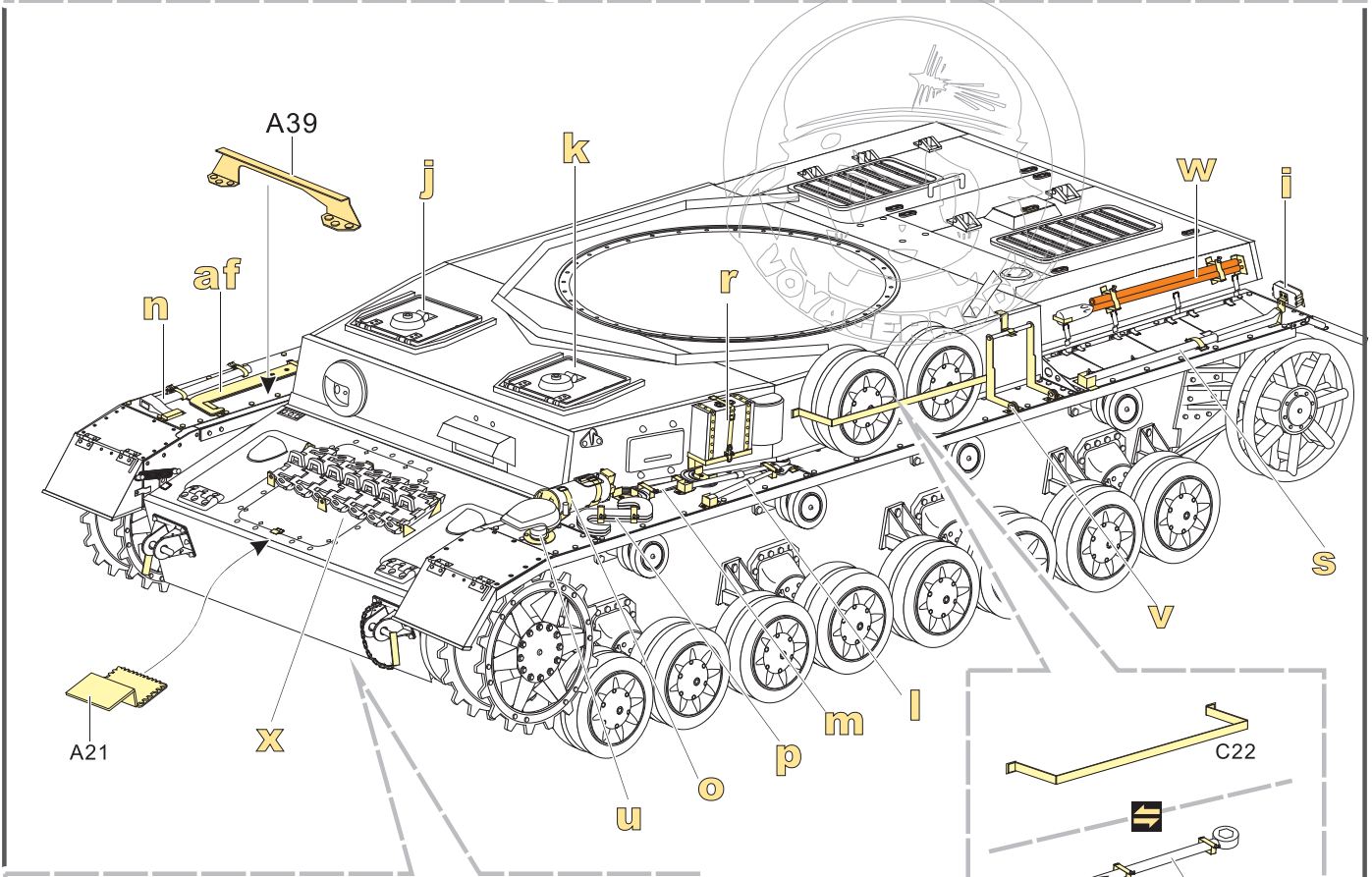
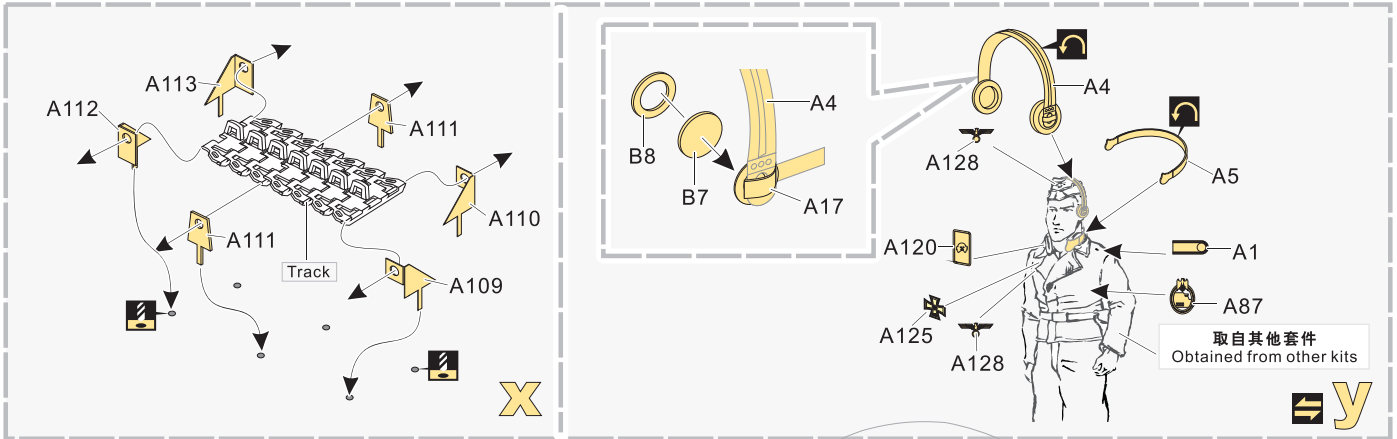


1/35 MILITARY MINIATURE VEHICLE UPGRADE SERIES PE351041

The assembly diagrams are organized as follows:

- Diagram l:** Shows the assembly of a component using parts A66, A76, A56, B20, B22, A48, and J32. Includes a 'x2' quantity indicator.
- Diagram m:** Shows the assembly of a component using parts B20, A76, A73, B22, B21, A124, J30, and J31. Includes a 'x2' quantity indicator.
- Diagram n:** Shows the assembly of a component using parts A116, g, and J26.
- Diagram o:** Shows the assembly of a component using parts A123, A18, A122, J24, and A121.
- Diagram p:** Shows the assembly of a component using parts B20, B76, A28, B22, B21, C36, and C37. Includes a 'x2' quantity indicator.
- Diagram q:** Shows the assembly of a component using parts B20, A76, A35, B22, and J36. Includes a 'x2' quantity indicator.
- Diagram r:** Shows the assembly of a component using parts A118, A97, B12, A117, A115, and A137. Includes a '自制 Scratch build' label.
- Diagram s:** Shows the assembly of a component using parts g, C31, A119, and A30.
- Diagram t:** Shows the assembly of a component using parts g, A119, C16, and A30.
- Diagram u:** Shows the assembly of a component using parts N12, N11, A29, and a hole of diameter $\varnothing 0.5$.
- Diagram v:** Shows the assembly of a component using parts A82, A81, $\varnothing 0.5$, B34, A83, and a hole of diameter $\varnothing 0.3$.
- Diagram w:** Shows the assembly of a component using parts B20, A79, A78, B22, A69, A67, J29, a '金属材料 Metal part', a hole of diameter $\varnothing 0.3$, and parts A89 and A88.

1/35 MILITARY MINIATURE VEHICLE UPGRADE SERIES PE351041



[Http://www.voyagermodel.com/productdetails.asp?itemid=PE351041](http://www.voyagermodel.com/productdetails.asp?itemid=PE351041)

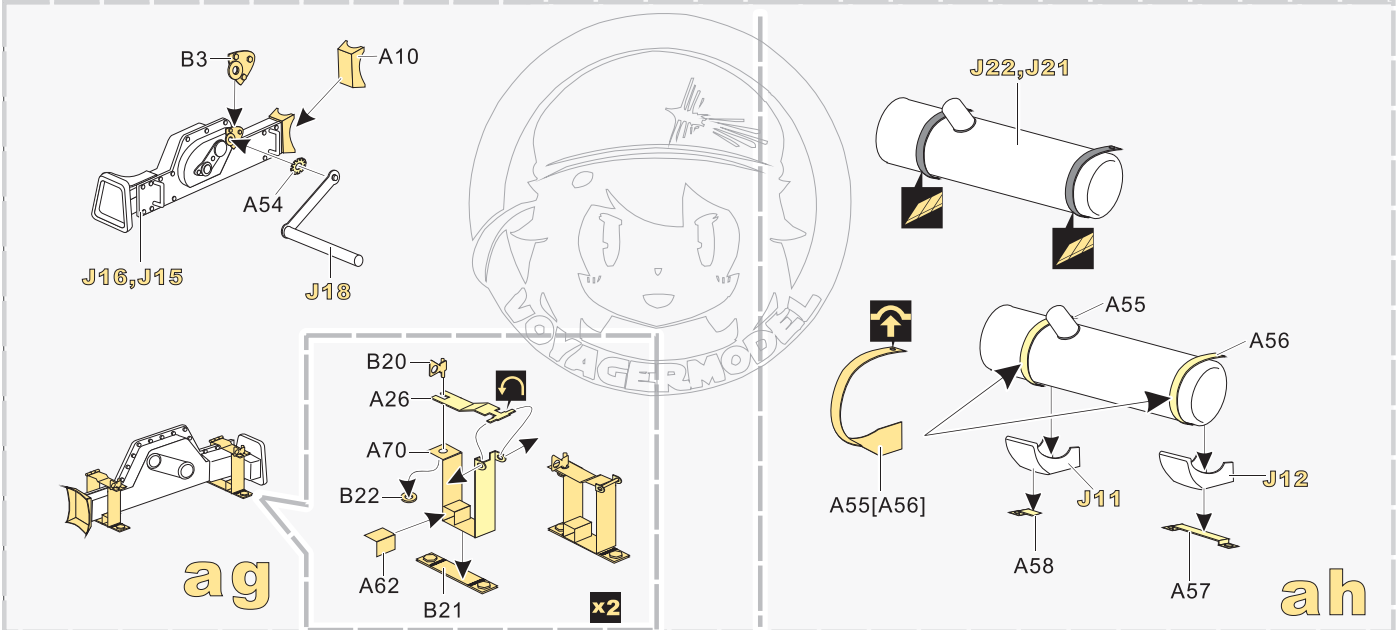
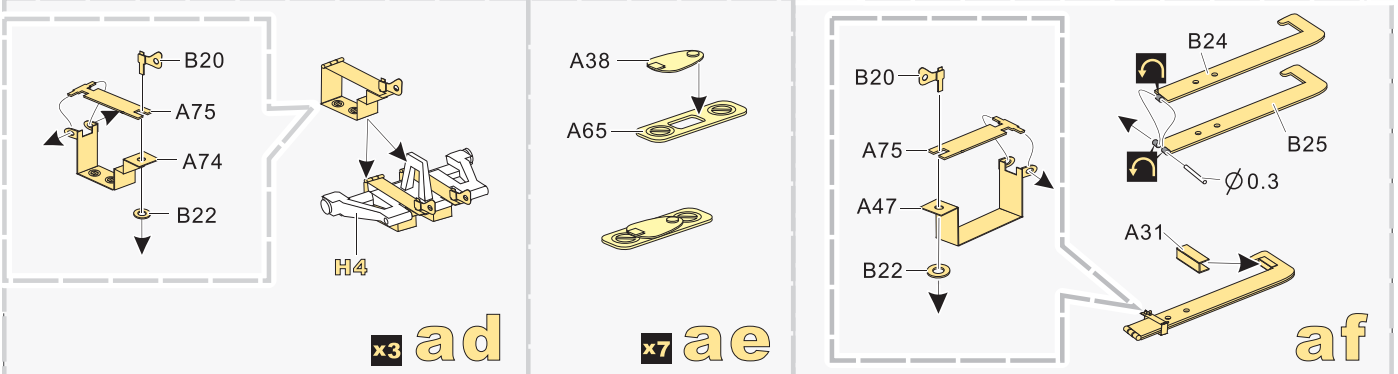
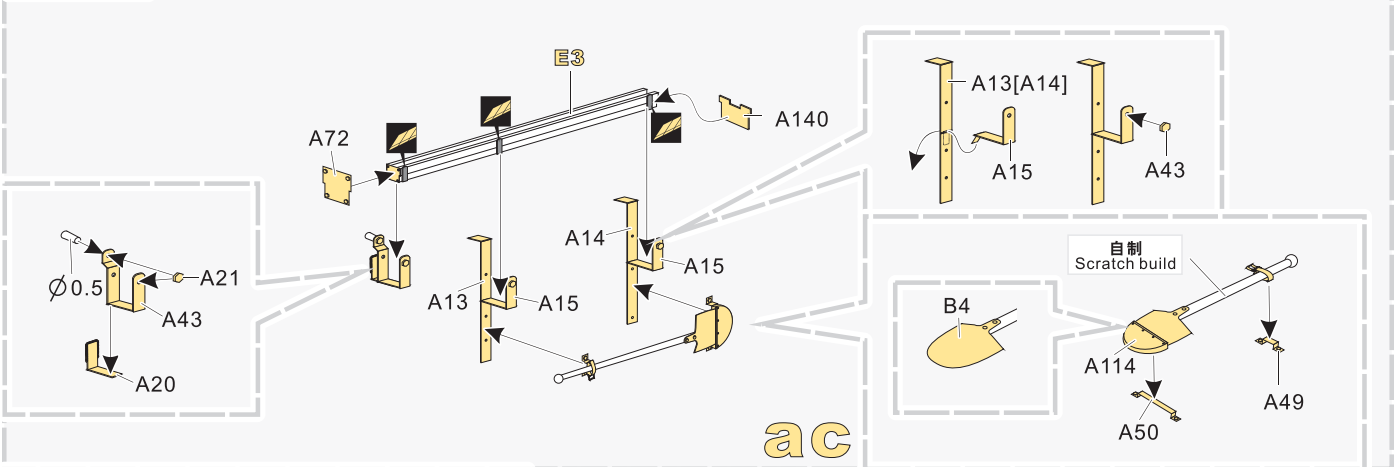
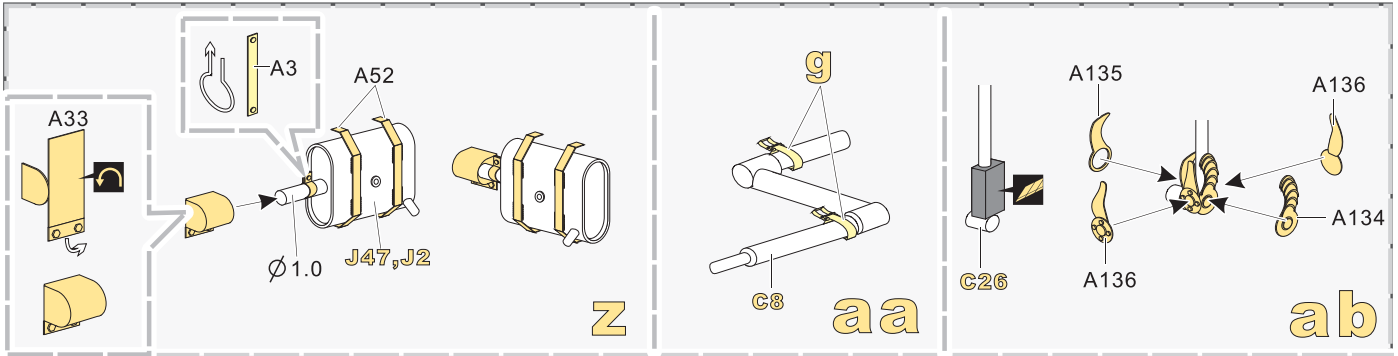


**VOYAGER
MODEL**

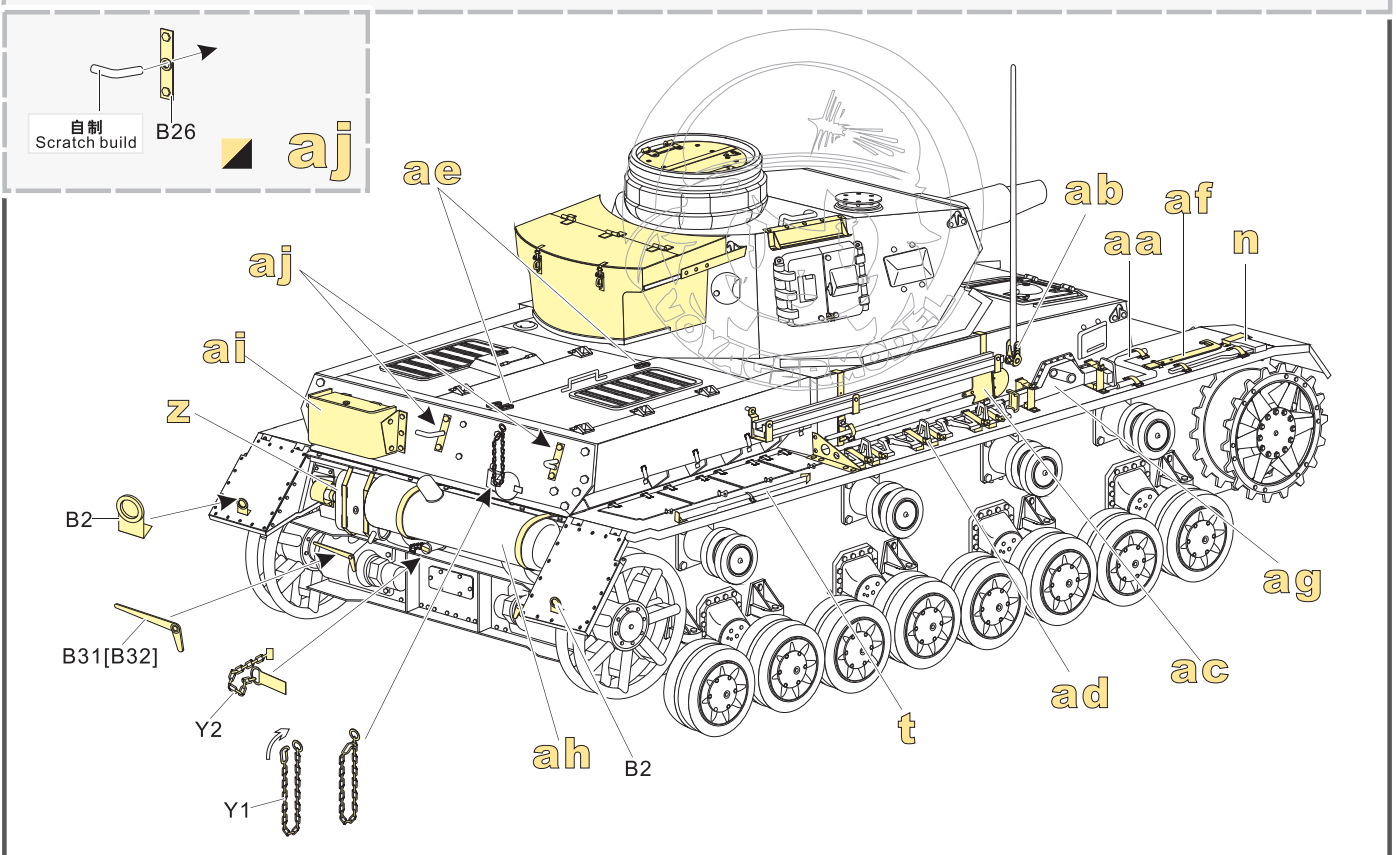
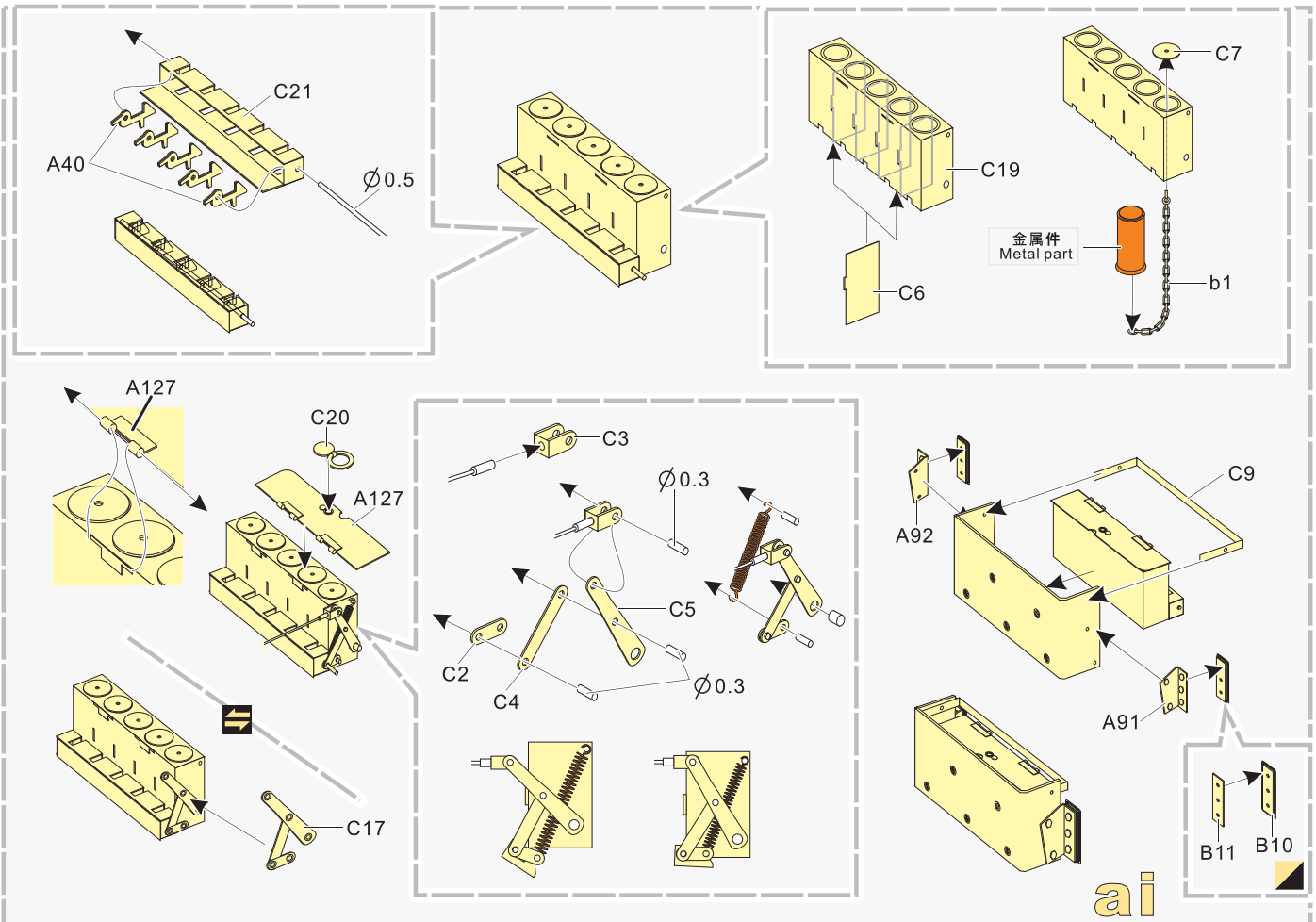


更多PE351041样品照片参考请扫一扫
MORE PICTUER OF PE 351041
REFERENCE SCAN HERE

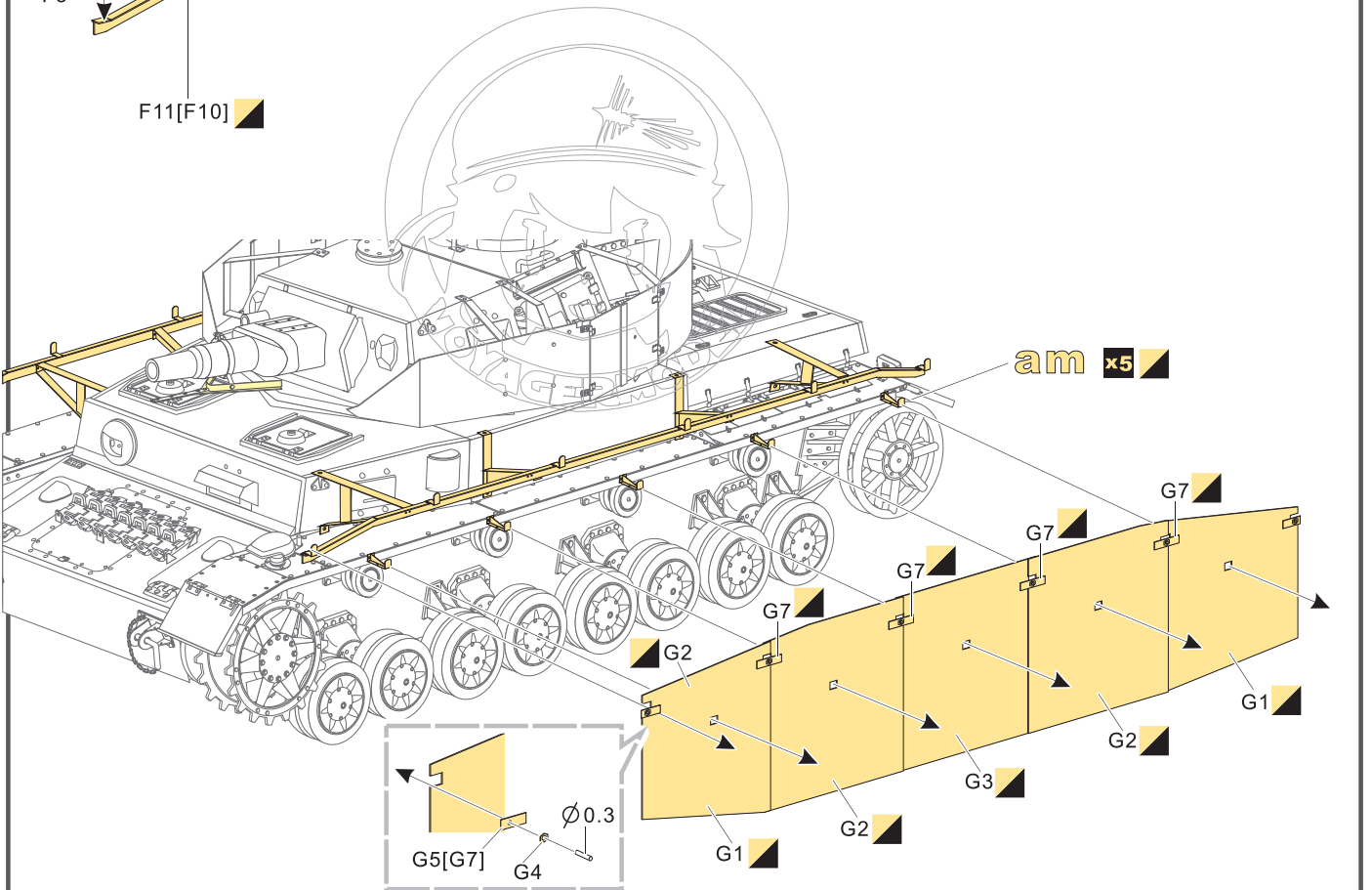
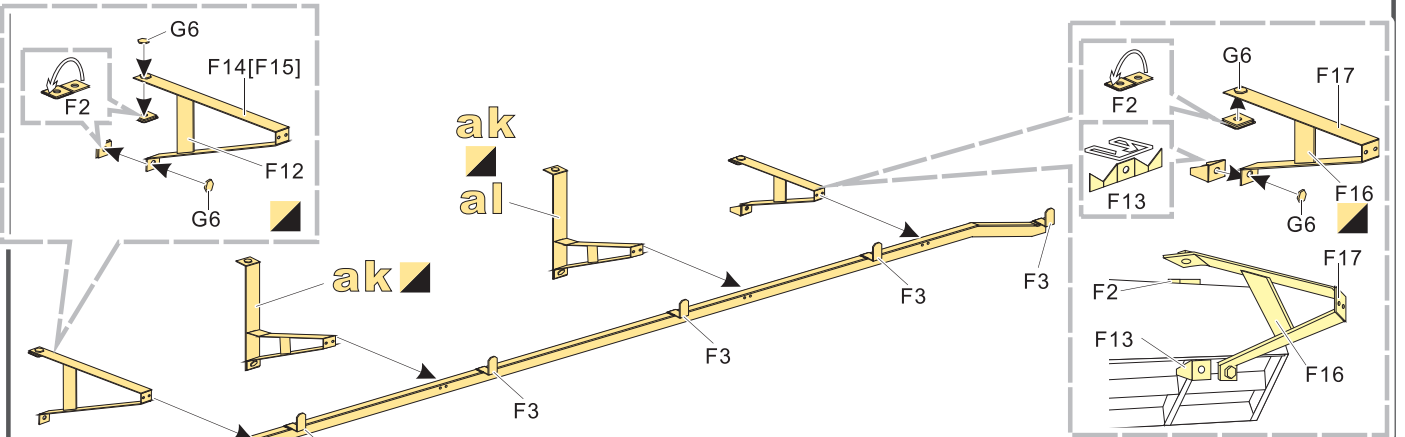
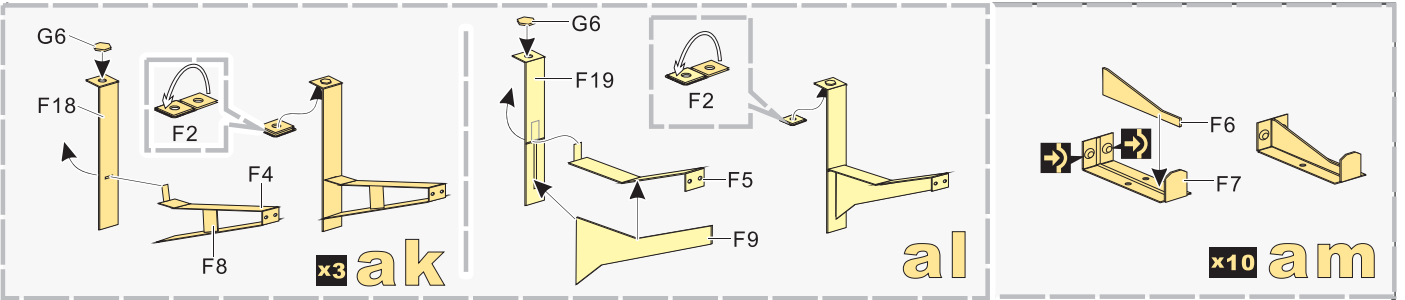
1/35 MILITARY MINIATURE VEHICLE UPGRADE SERIES PE351041



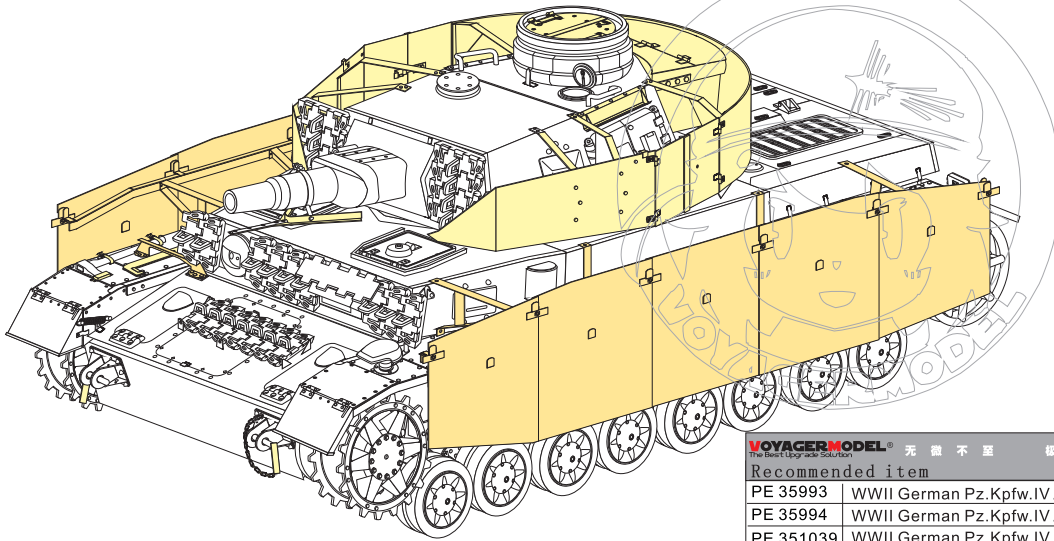
1/35 MILITARY MINIATURE VEHICLE UPGRADE SERIES PE351041



1/35 MILITARY MINIATURE VEHICLE UPGRADE SERIES PE351041



1/35 MILITARY MINIATURE VEHICLE UPGRADE SERIES PE351041

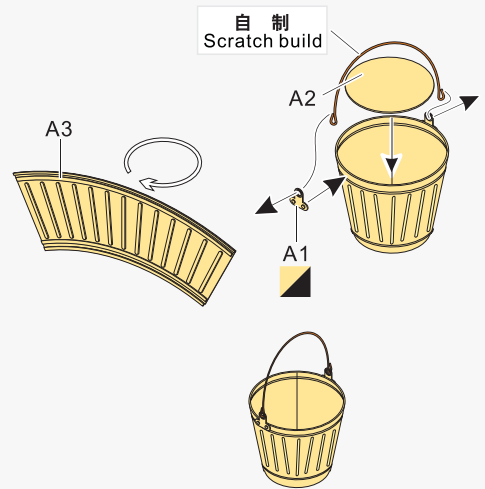
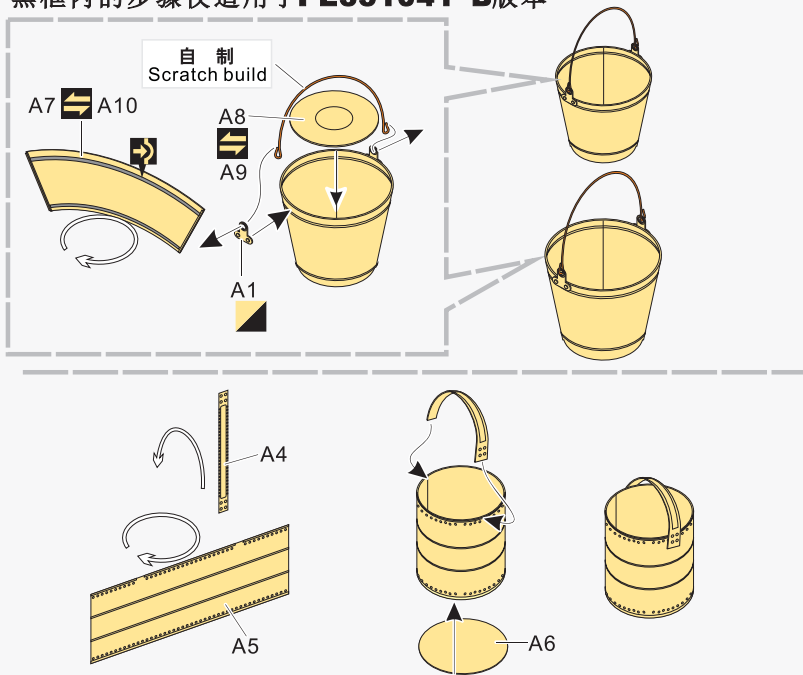


VOYAGERMODEL[®] 无微不至 悦尽享受

Recommended item

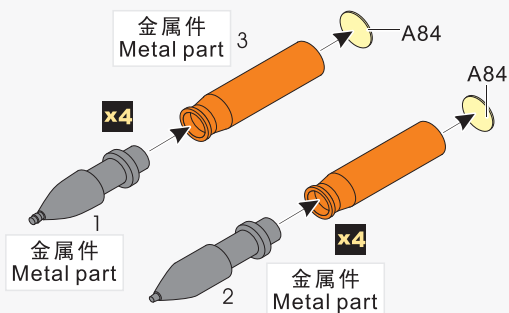
PE 35993	WWII German Pz.Kpfw.IV Ausf.G (LateProduction) Basic
PE 35994	WWII German Pz.Kpfw.IV Ausf.F-H Fenders
PE 351039	WWII German Pz.Kpfw.IV Ausf.F1 "Vorpanzer"
PE 351041	WWII German Pz.Kpfw.IV Ausf.F1 (LateProduction) Basic
PE 351042	WWII German Pz.Kpfw.IV Ausf.F2 Basic

THE STEPS IN THE BLACK BOX APPLY FOR PE351041 B VERSION
黑框内的步骤仅适用于PE351041 B版本










an

WWII German 75mm KwK 37/StuK 37 Ammunition
二战德军75mm KwK37/StuK37火炮用炮弹



Also fit for

-  Pz Kpfw IV Ausf. A-E
-  Pz Kpfw III Ausf. N
-  StuG III Ausf. A-E
-  Sd.Kfz. 234/3
-  Sd.Kfz. 251/9 Ausf. C-D
-  Sd.Kfz. 250/8
-  Aufklarungspanzer 38(t) mit 75mm Kw.K