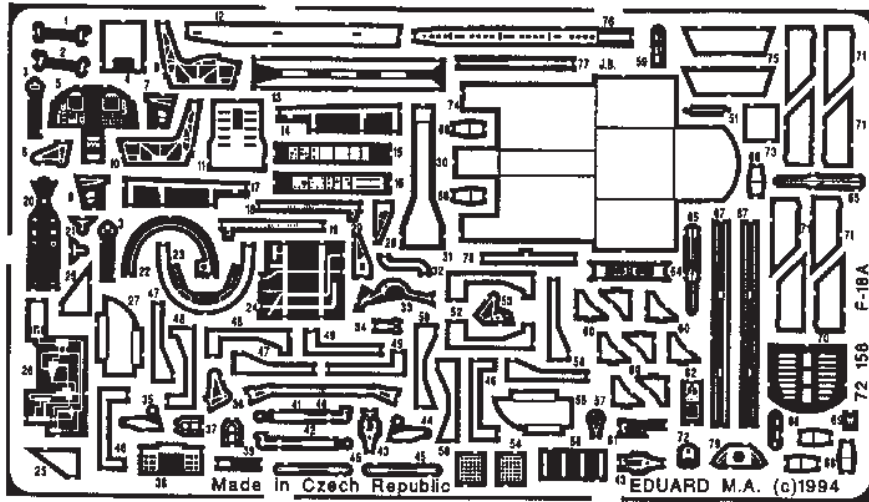









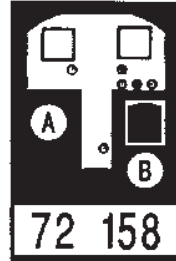
F-18A Hornet

72 158

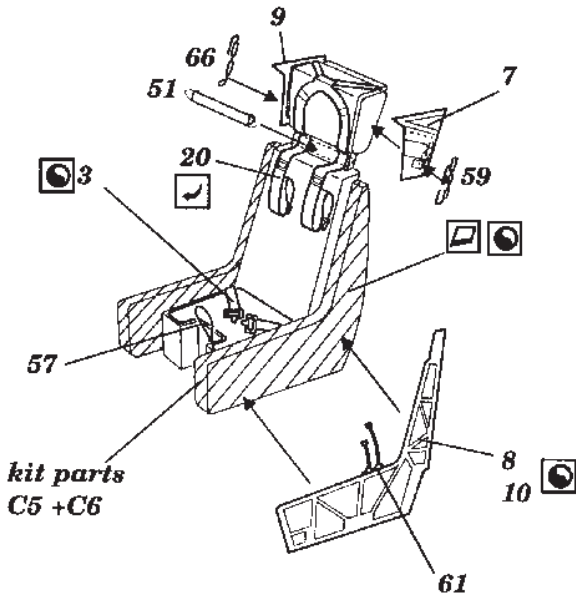
1/72 scale detail set for Hasegawa kit



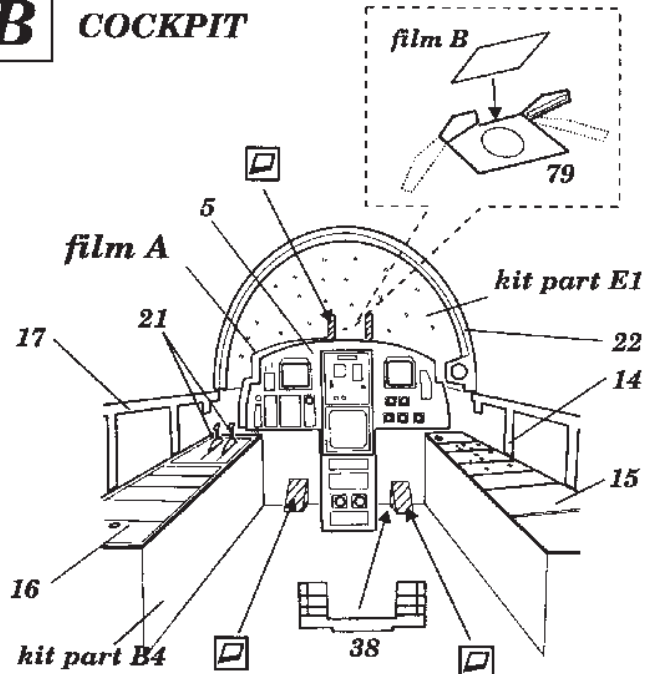
-  OPPOSITE SIDE
-  REMOVE
-  BEND
-  REPLACE
-  GRIND



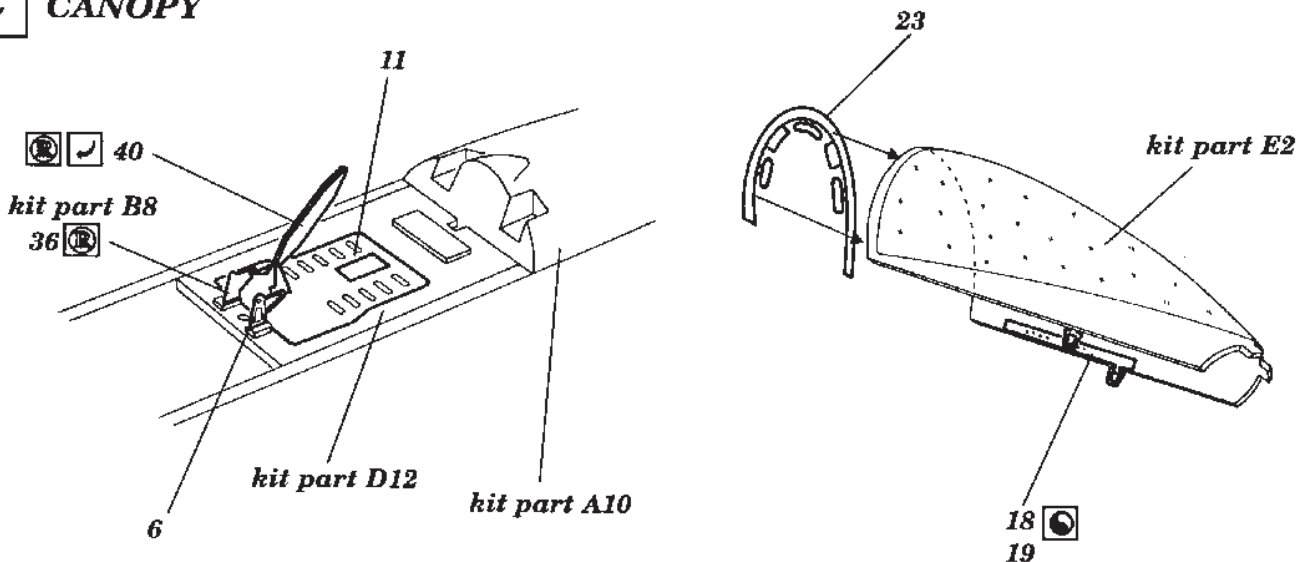
A EJECTION SEAT



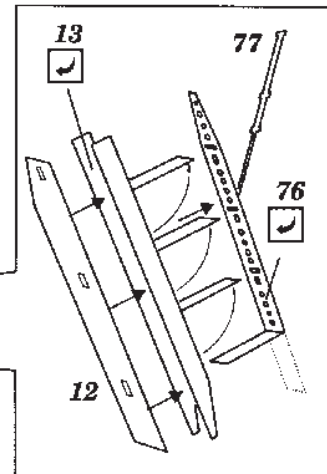
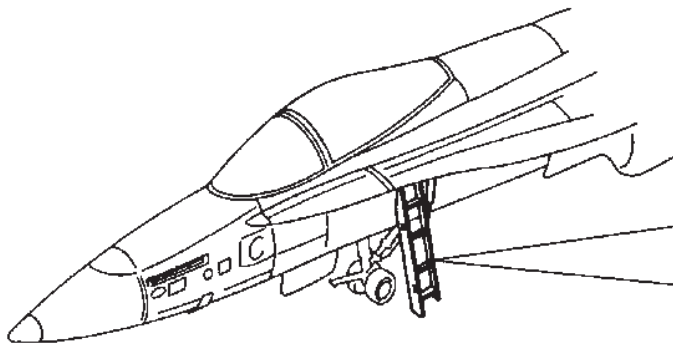
B COCKPIT



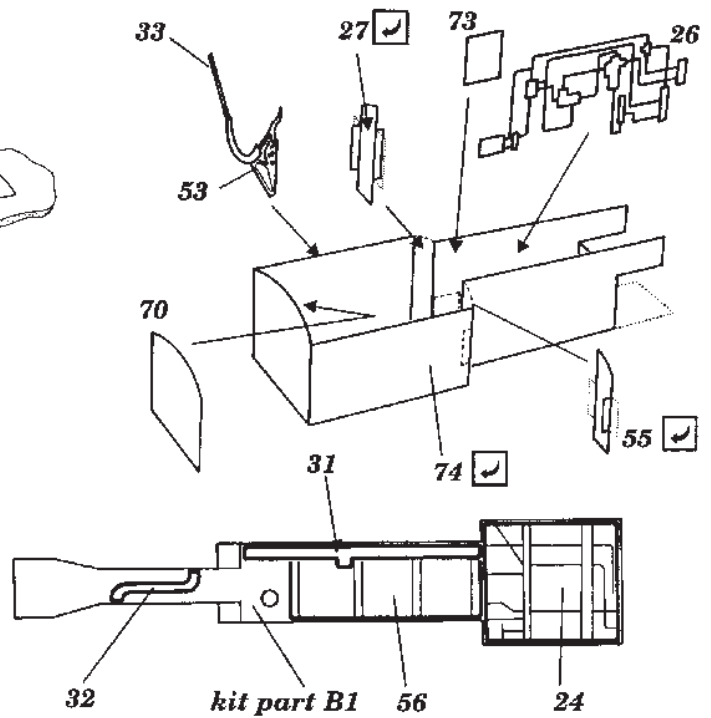
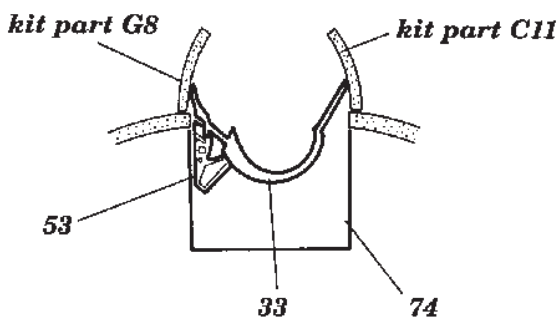
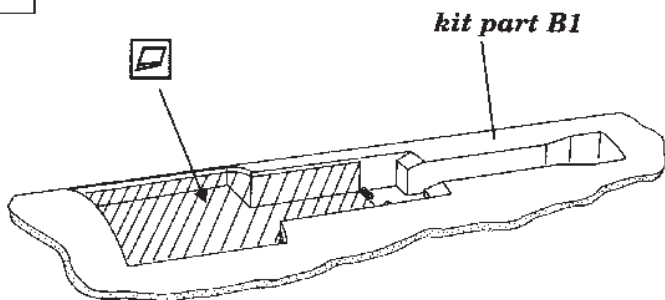
C CANOPY



D BOARDING LADDER

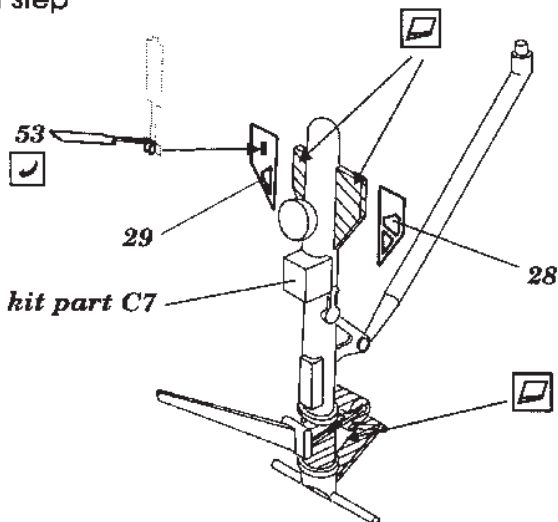


E NOSE UNDERCARRIAGE WELL

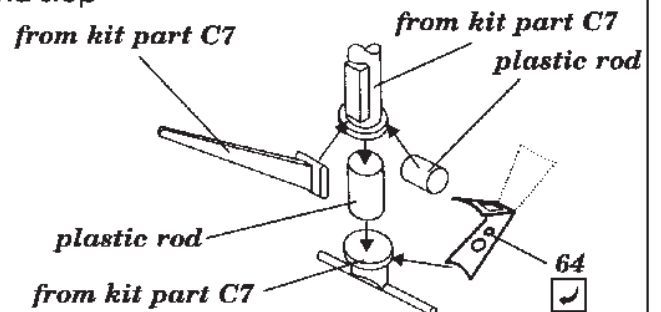


F NOSE UNDERCARRIAGE STRUT

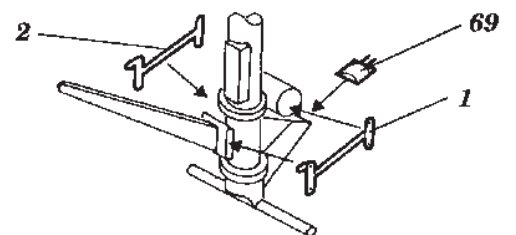
1st step



2nd step

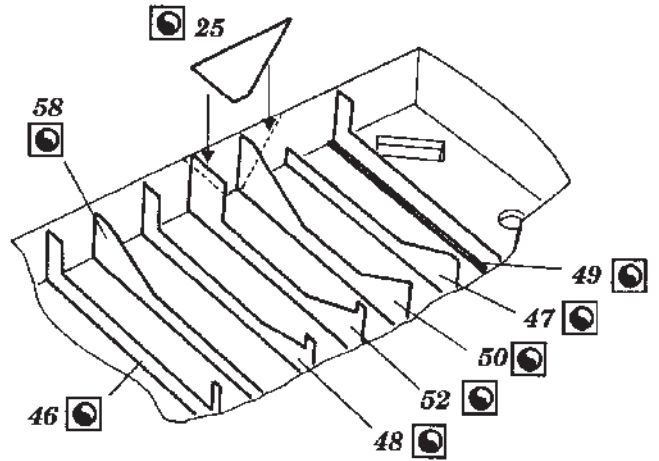
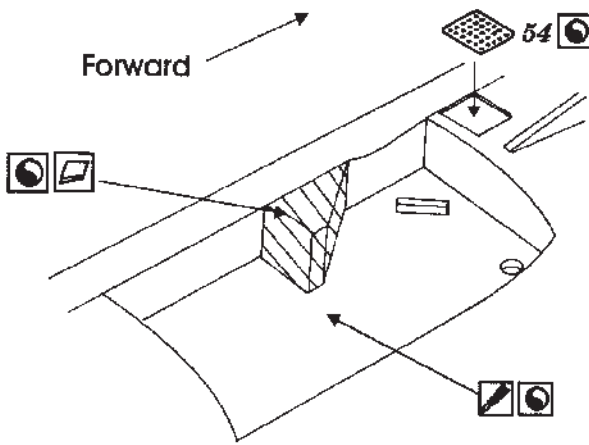


3rd step

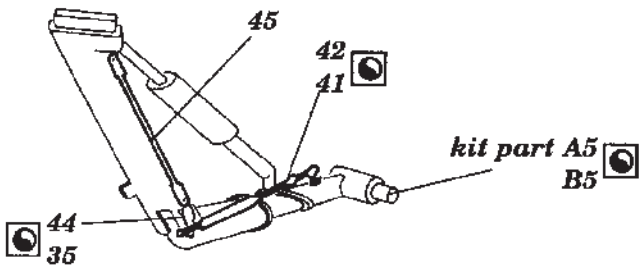


30 **R** kit part C8

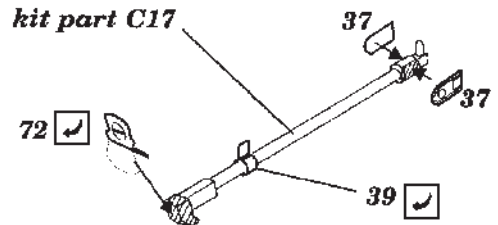
G MAIN UNDERCARRIAGE WELL



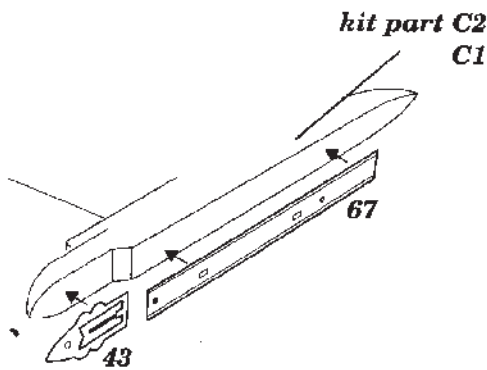
H MAIN UNDERCARRIAGE STRUT



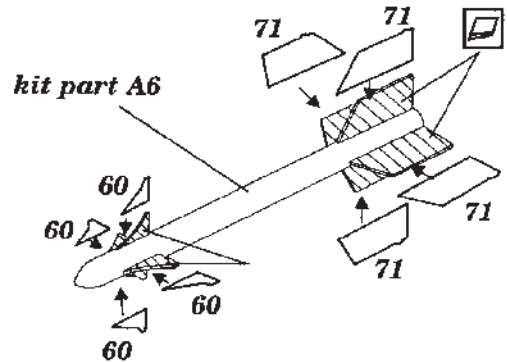
I TAILHOOK



J MISSILE LAUCHER



K AIM-9L MISSILE



L EXTERIOR ASSEMBLY

