

MAZ-537G-Late type with MAZ/ChMZAP-5247G semitrailer

I:35 SCALE **MAZ后期(带MAZ/ChMZAP-5247G型半挂车)**

READ BEFORE ASSEMBLY:

- This kit is not recommended for inexperienced modelers or for children under 14 years of age
- Study and understand these instructions thoroughly before beginning assembly
- When needed, remove photo-etch parts carefully using a modeling knife or photo etch sprue cutter, being careful not to damage or lose small parts.
- Take extra care in handling photo etch parts in order to avoid injury
- Apply instant cement sparingly to photo etch parts where instructed

movable parts. Apply cement carefully! Removed photo etch parts can have sharp edges. Take care when handling these to avoid injury.

- Apply decals to necessary parts prior to assembly.
- Additional tools recommended(not included):Sprue cutter, Long nose pliers, hobby knife, file, tweezers, pin vise, scissors, cement, sandpaper, soft cloth, glue and paint.
- Keep all parts out of reach of children, as they pose a choking hazard. Discard all unnecessary bags and sprues when model is completed to avoid accidental injury.

装配之前仔细阅读

- 小心用模型锉刀锉平所有零件表面的注射浇口。
- 小心用刀片切下蚀刻片零件，不要遗失小零件。
- 用强力快干胶水粘合蚀刻片零件和金属轴。过量的快干胶水使用可能导致可动零件会粘住，小心涂胶。
- 取蚀刻片时应特别注意安全，防止利边划伤手指。
- 某些零件表面需贴上水贴纸，请选择在装配的同时进行。
- 推荐模型工具(自备)：胶水，水口剪刀，长咀钳，刀片，锉刀，镊子钳，钻，剪刀，瞬间快干胶。
- 软布同砂纸同时也应该是必备工具。
- 请使用塑料胶水和油漆，模型内不含。
- 谨防小孩吸吮塑料零件，或者将塑料袋套在头上，制作时应将套材远离小孩接触。
- 本产品不适合14岁以下没有经验的模型爱好者。

水贴纸的使用:

1. 从水贴上剪下印花;
2. 将印花放入温水中浸10秒, 然后放在干净布上.
3. 拿着印花纸板将印花移到模型上;
4. 手指蘸水将印花移到适当的位置;
5. 用软布轻压印花直至水干, 气泡消失.

DECAL APPLICATION:

1. Cut decals from sheet as needed
2. Dip the decal in warm water for about 10 seconds and then place on soft clean cloth.
3. Hold the decal backing sheet edge and gently slide the decal onto the model in its proper position.

4. While still wet, decal can be adjusted for better fit on model by dampening it gently with your finger.
5. When placed in the proper position, gently press decal down with a soft cloth until excess water and air bubbles are gone.
6. Allow decal to dry completely before handling model



使用强力胶

Cyanoacrylate glue



配重

Weight



钻孔

Make hole



切除

Cut / Remove



贴纸
Decal



锉平
File / Sand



选择
Option



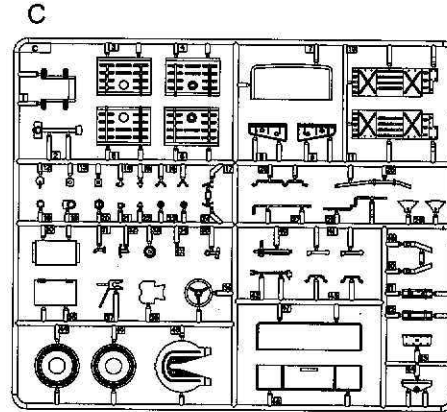
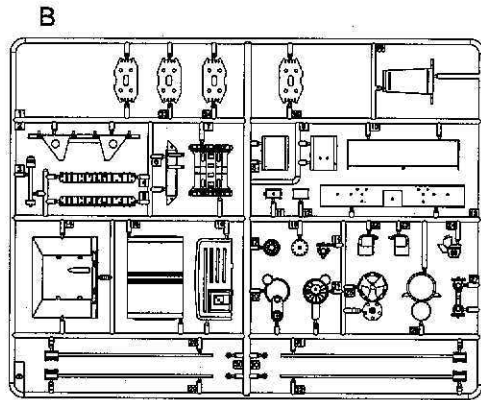
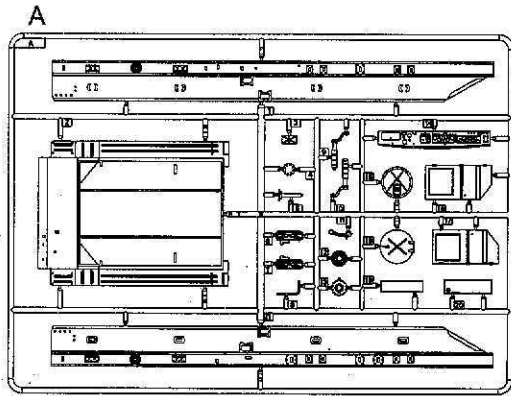
不涂胶水
No cement



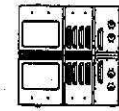
弯曲
Bend

部品图

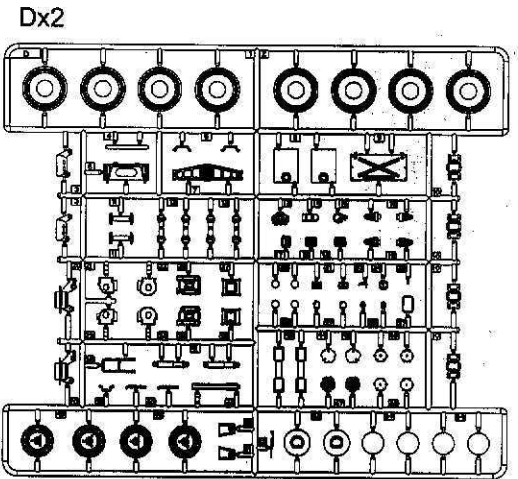
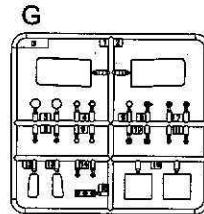
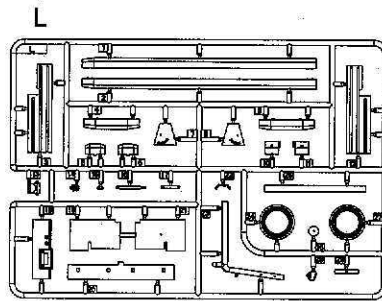
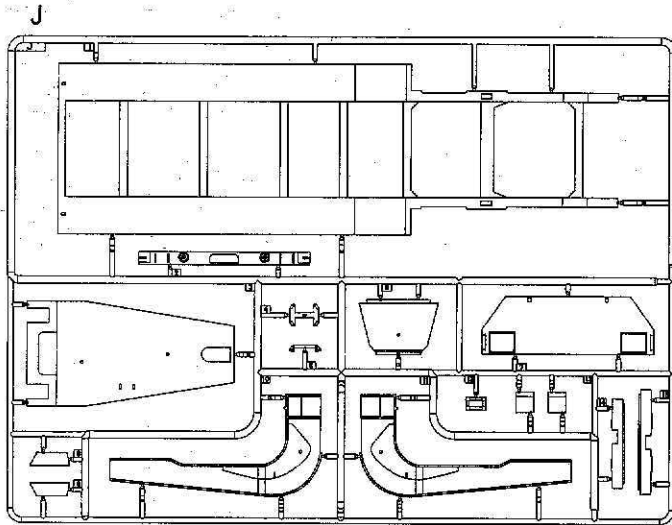
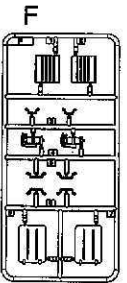
Parts



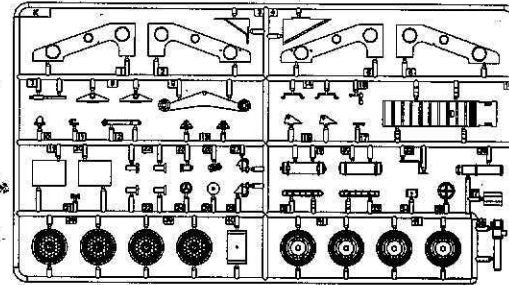
<<发动机盖>>
Engine bonnet



<<驾驶室>>
CAB



Kx2



<<拖架甲板>>
semi-trailer deck

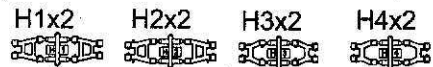
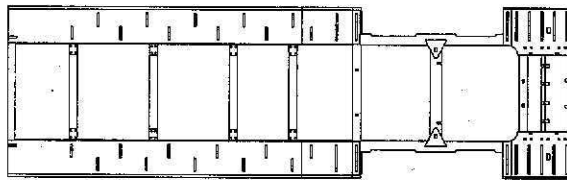
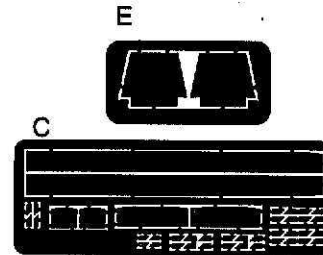
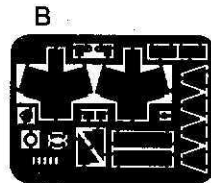
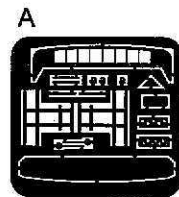


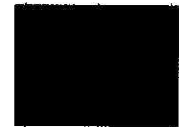
Photo etched part(PE)



<<轮胎(大)>>x9
Tyre (big)x9



<<遮蓋散紙>>
Die-Cut Mask



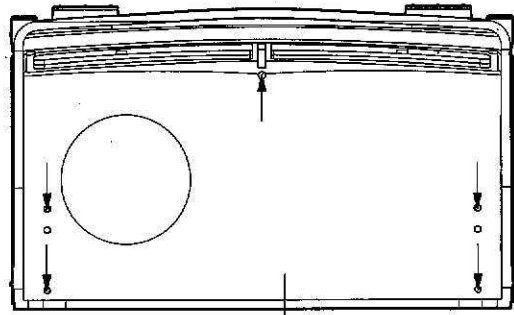
<<轮胎(小)>>x9
Tyre (small) x9



<<铜丝>>
Brass wires
Ø0.5x100(mm)

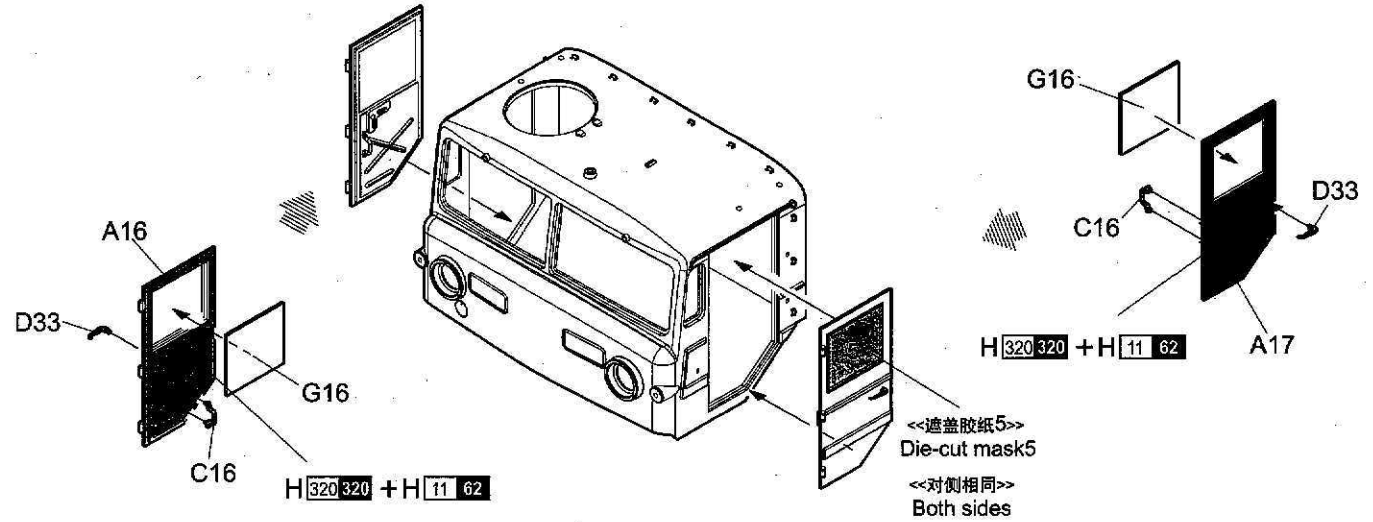


1

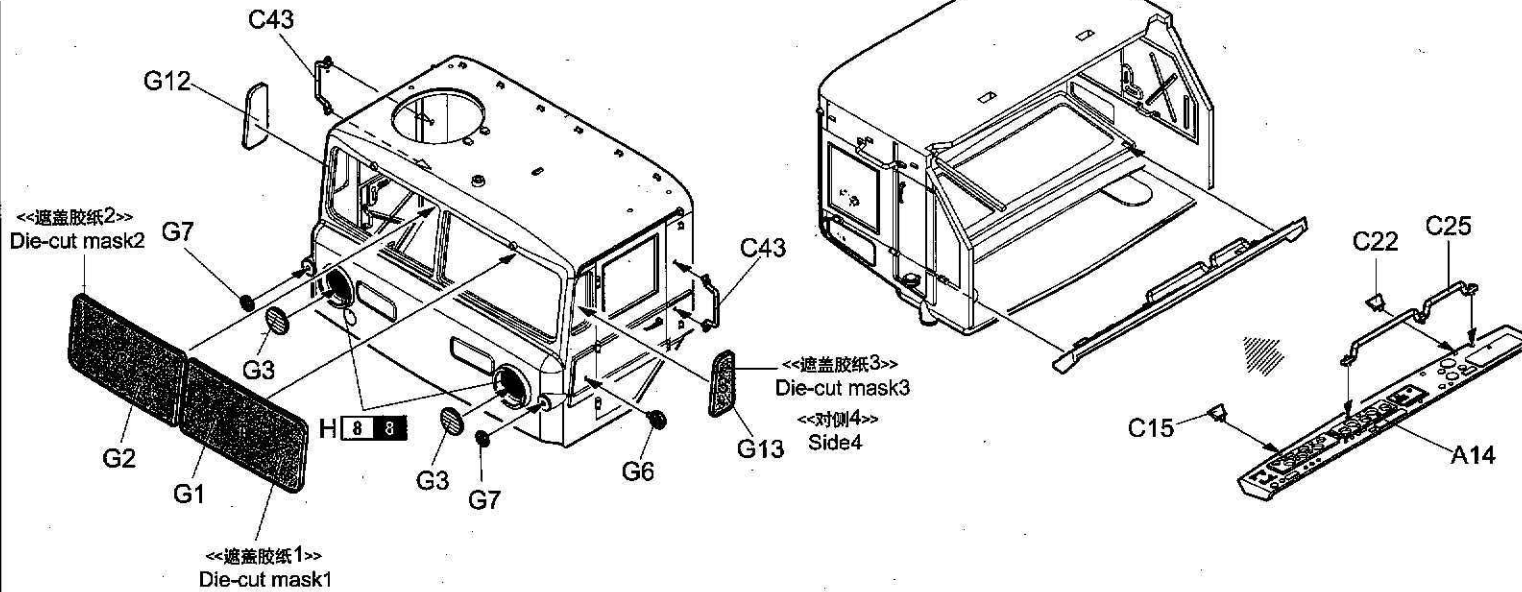


① 钻孔
Make holes

驾驶室
CAB



<<遮盖胶纸5>>
Die-cut mask5
<<对侧相同>>
Both sides



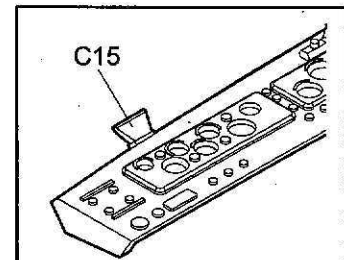
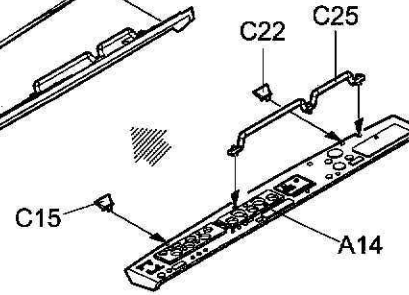
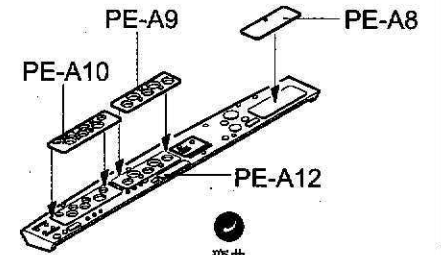
<<遮盖胶纸2>>
Die-cut mask2

<<遮盖胶纸1>>
Die-cut mask1

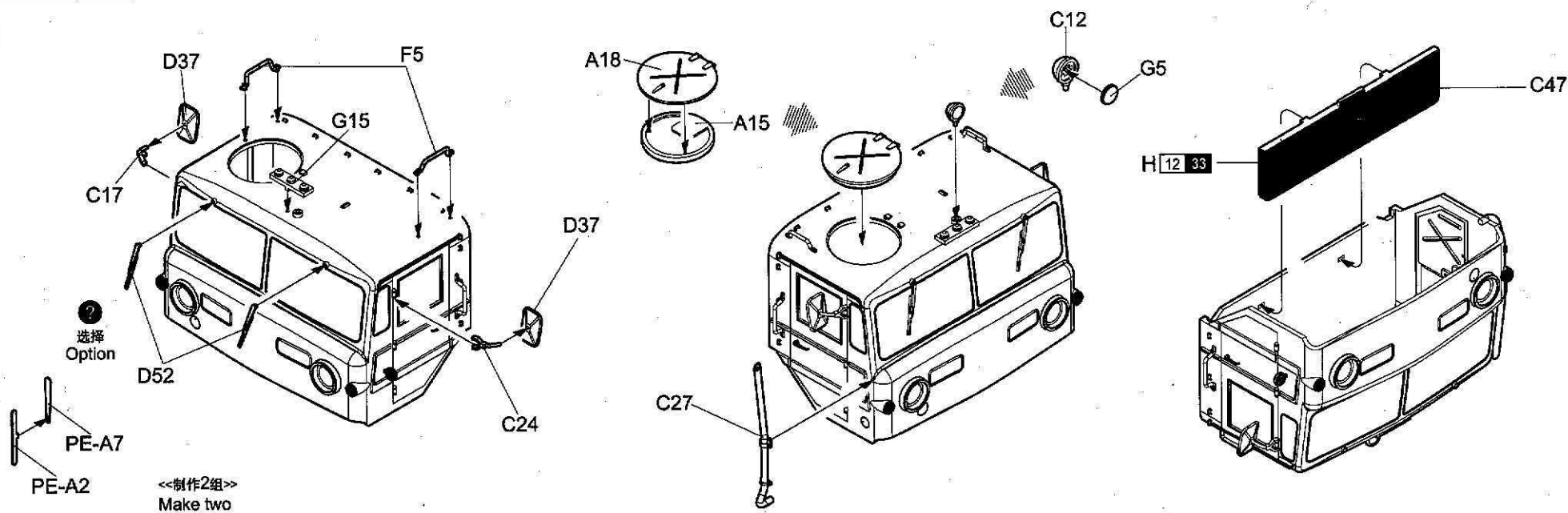
<<遮盖胶纸3>>
Die-cut mask3
<<对侧4>>
Side4

② 选择
Option

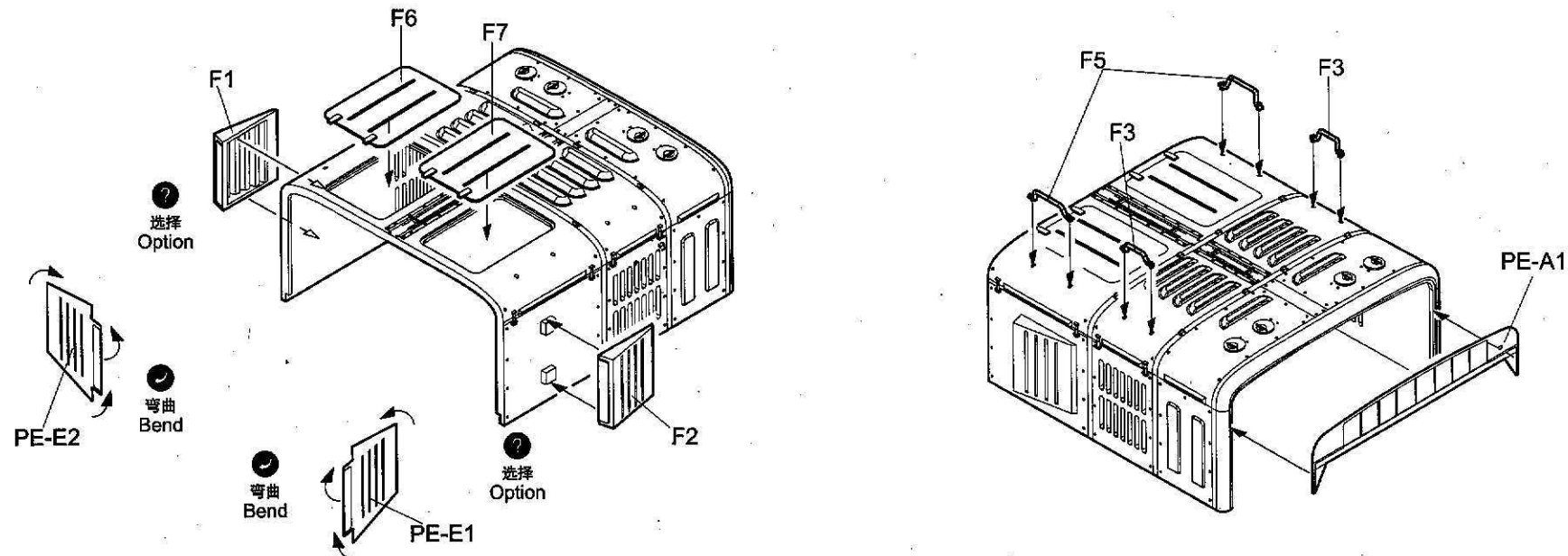
弯曲
Bend



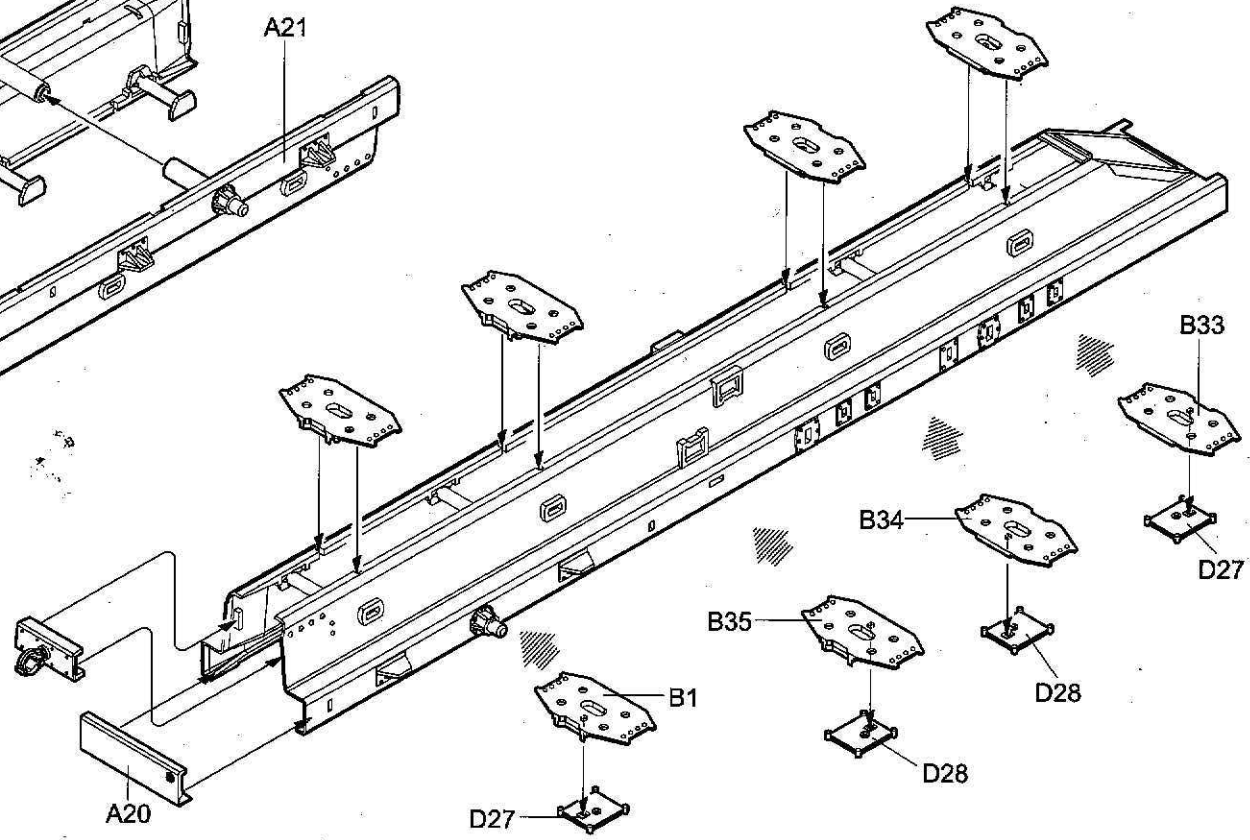
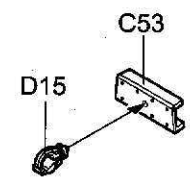
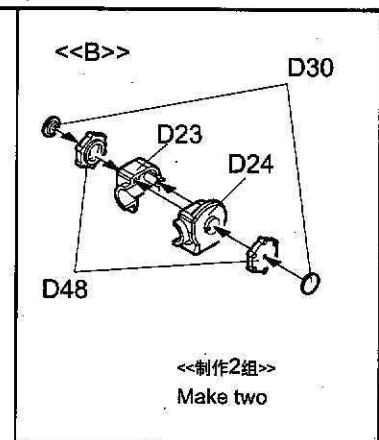
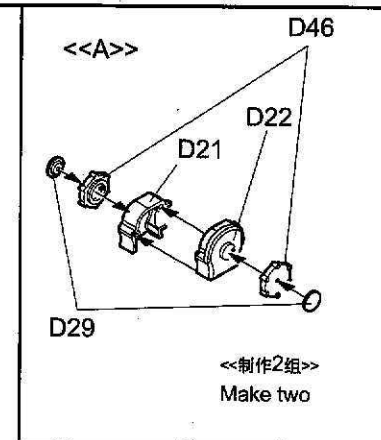
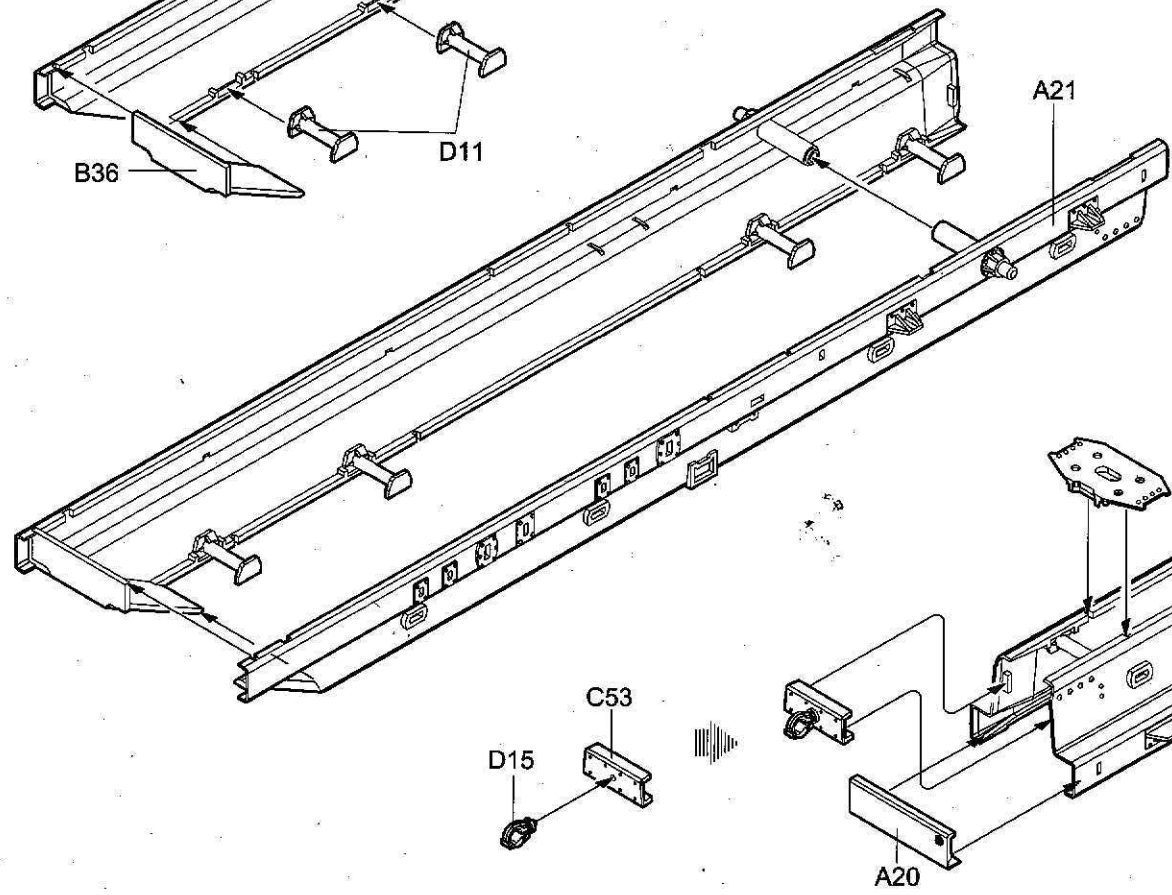
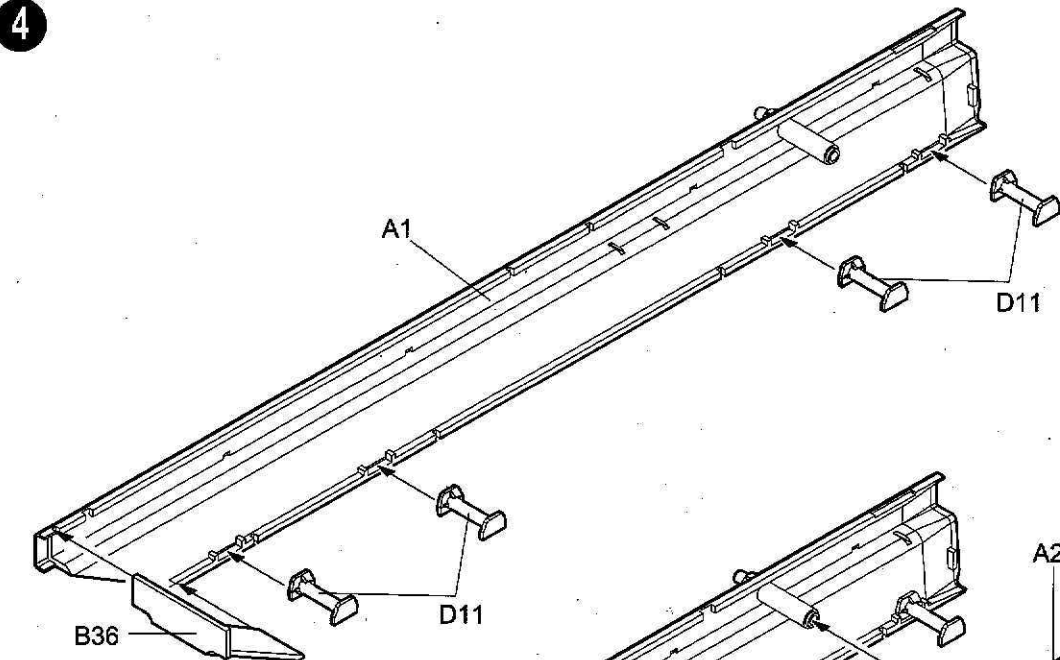
2



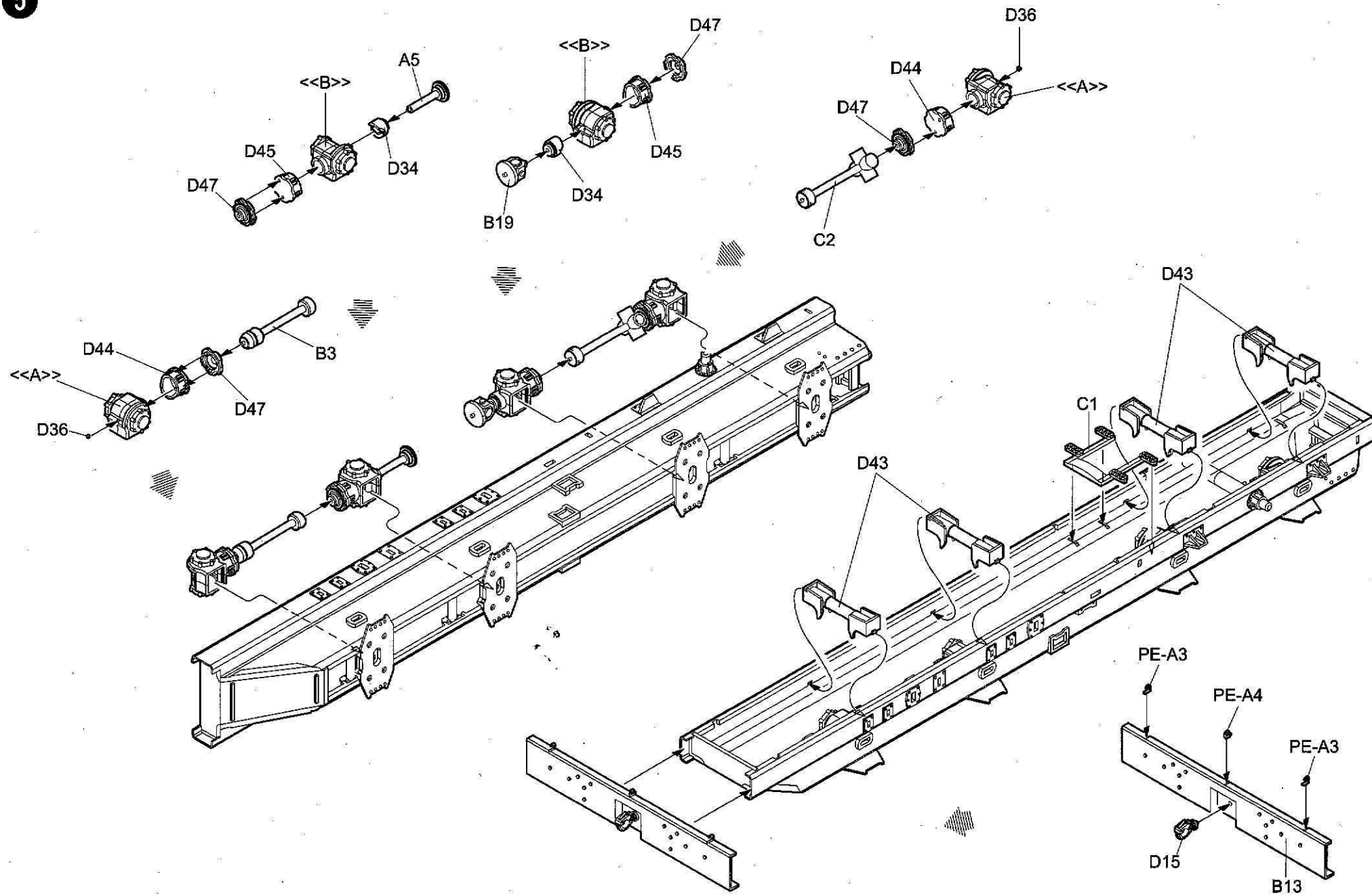
3



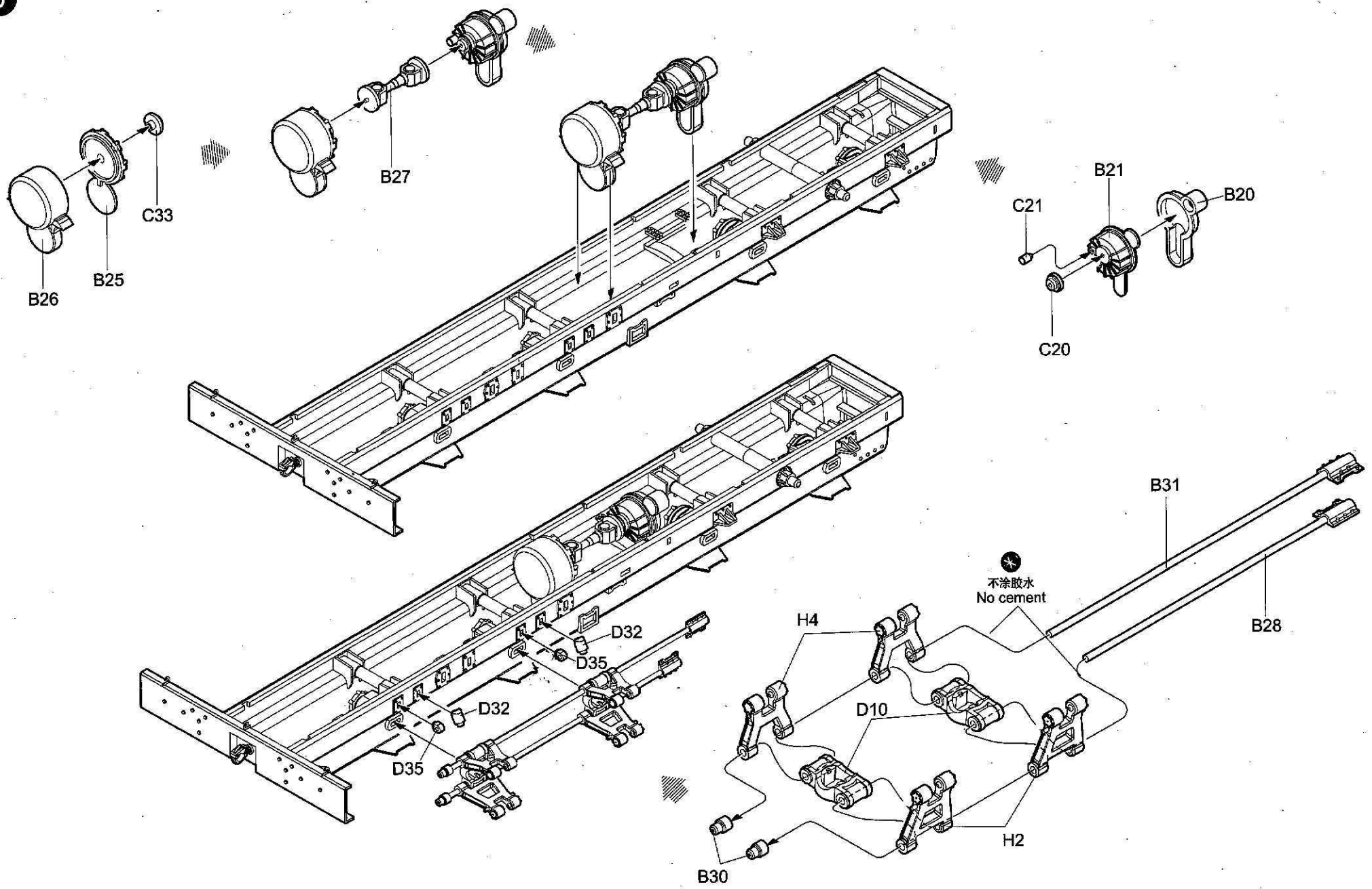
4



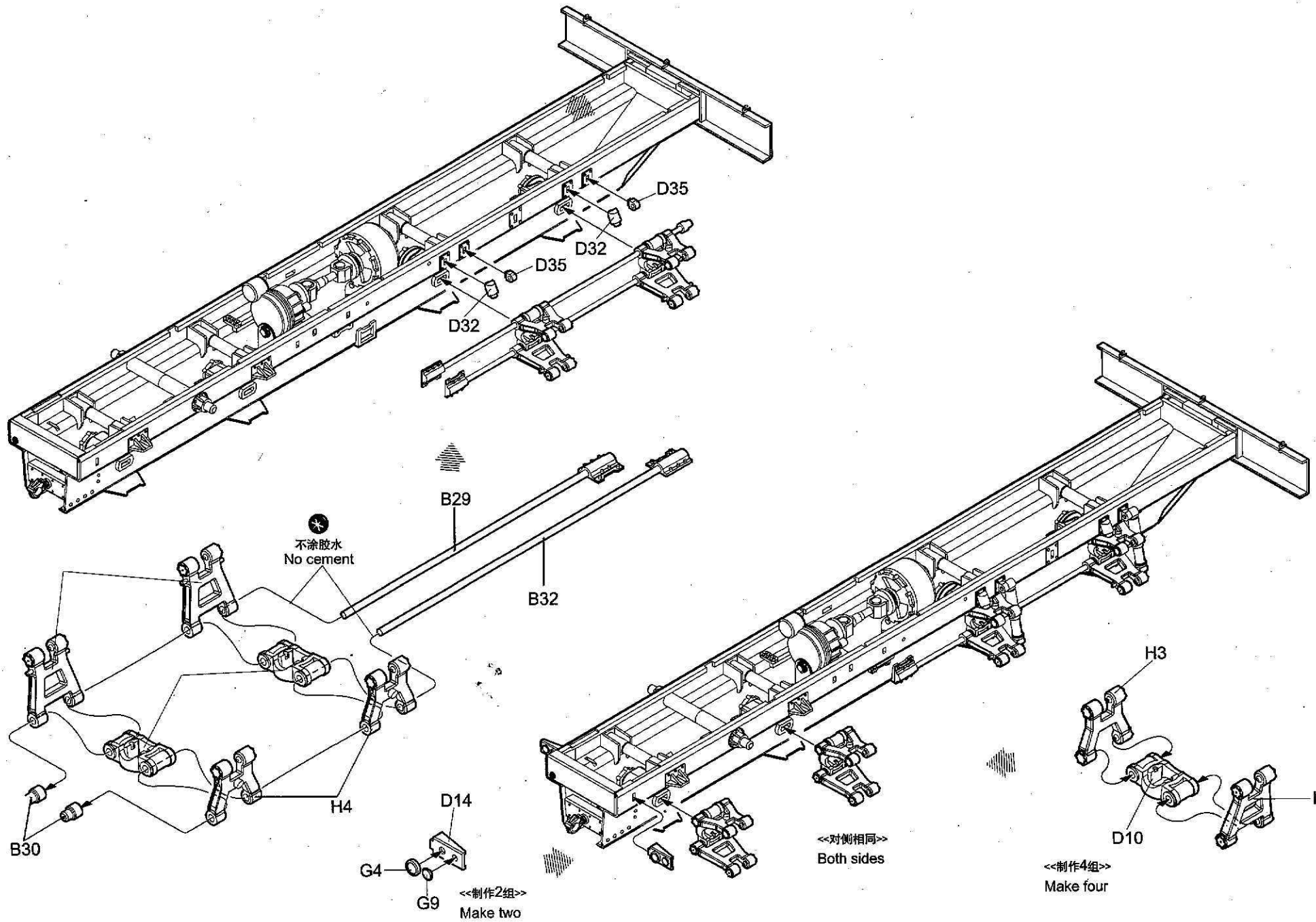
5

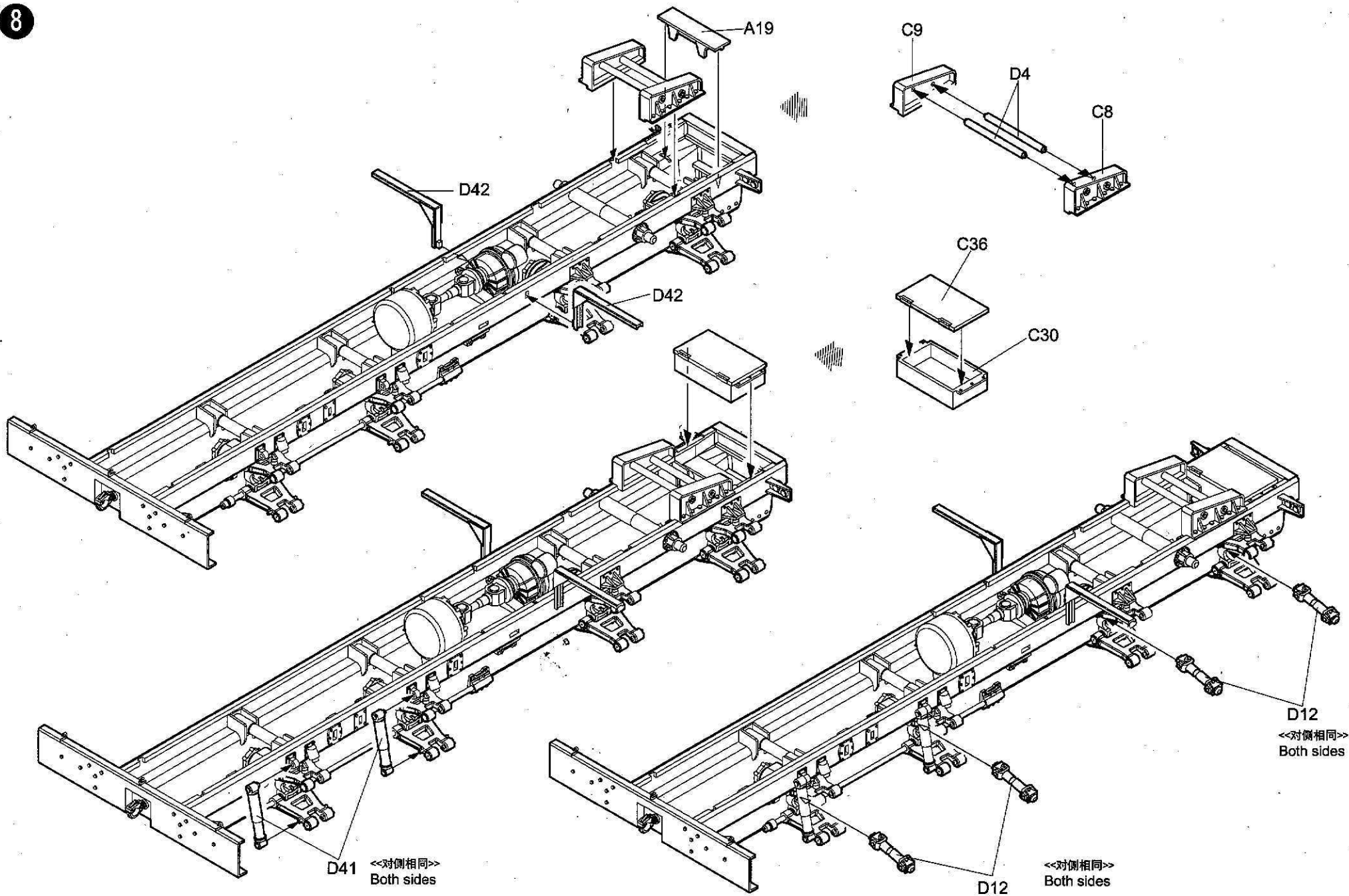


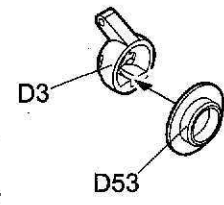
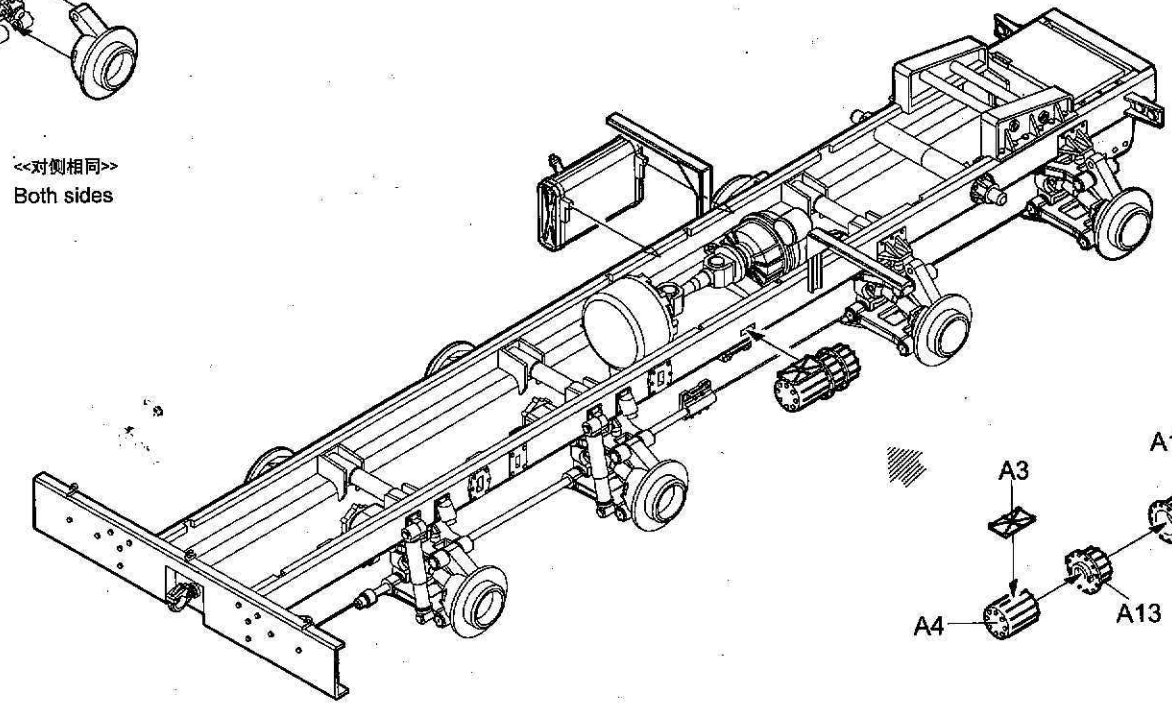
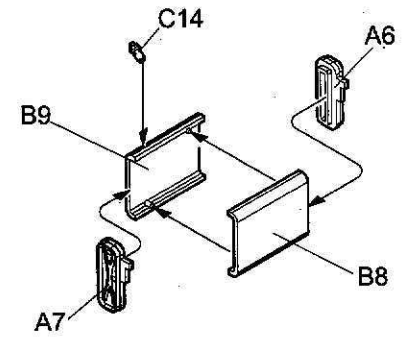
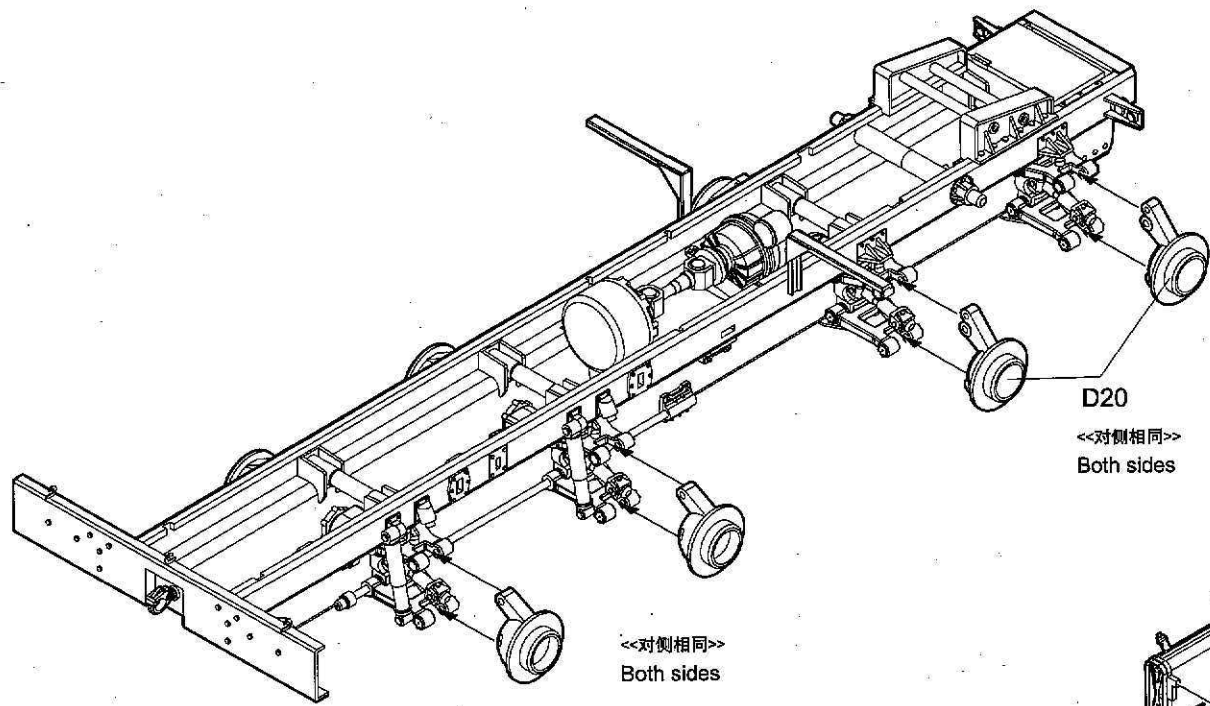
6



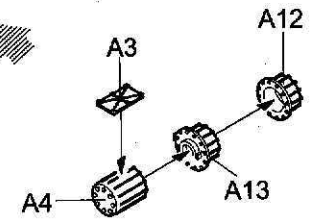
7

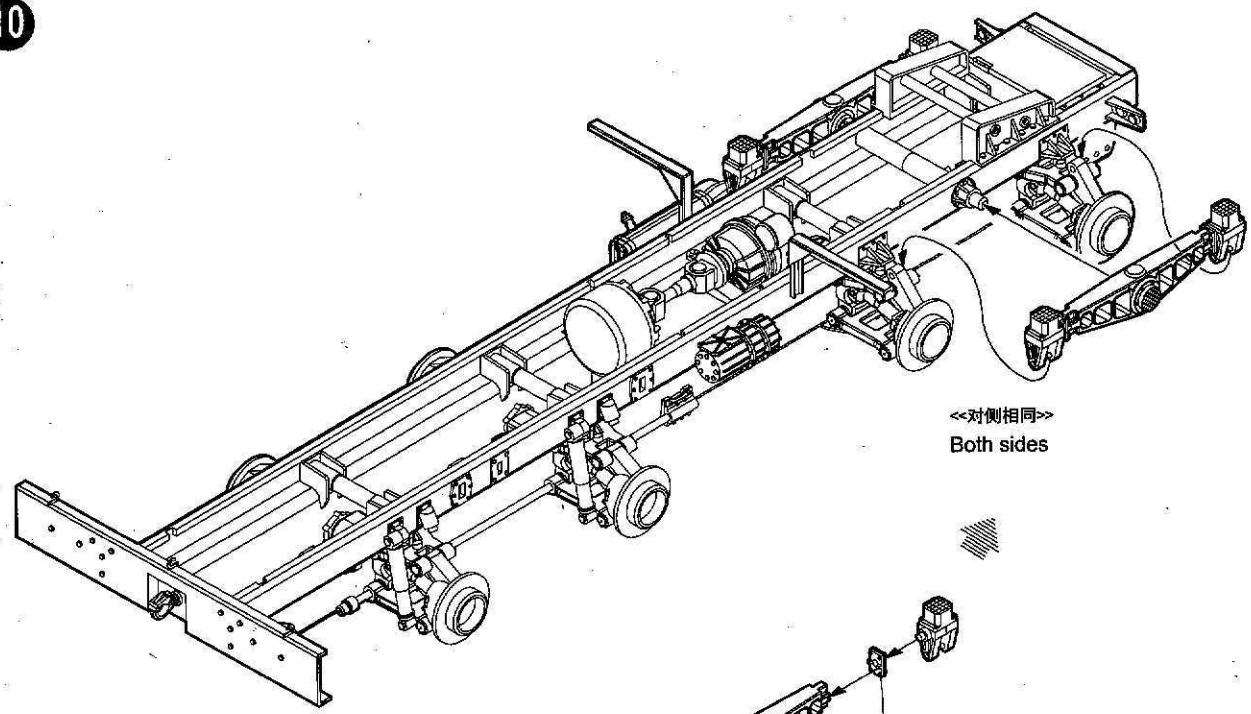




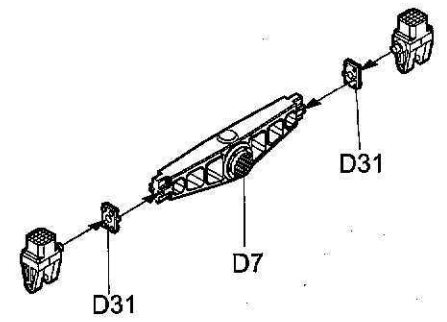
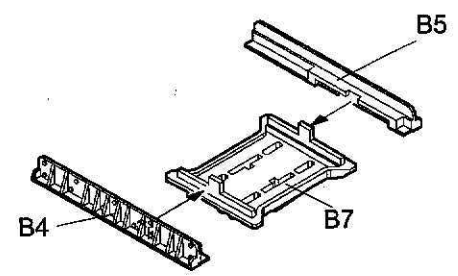


<<制作4组>>
Make four

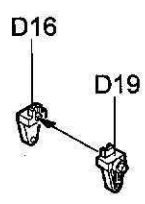
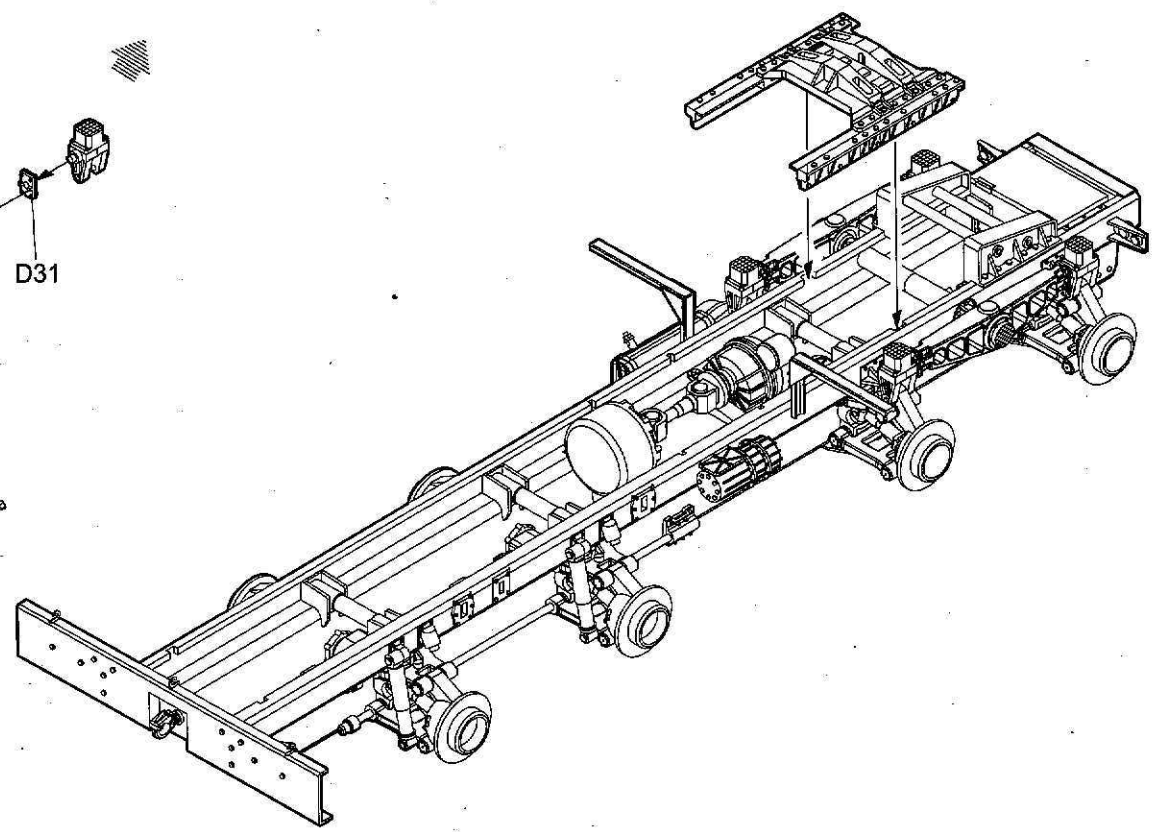




<<对侧相同>>
Both sides



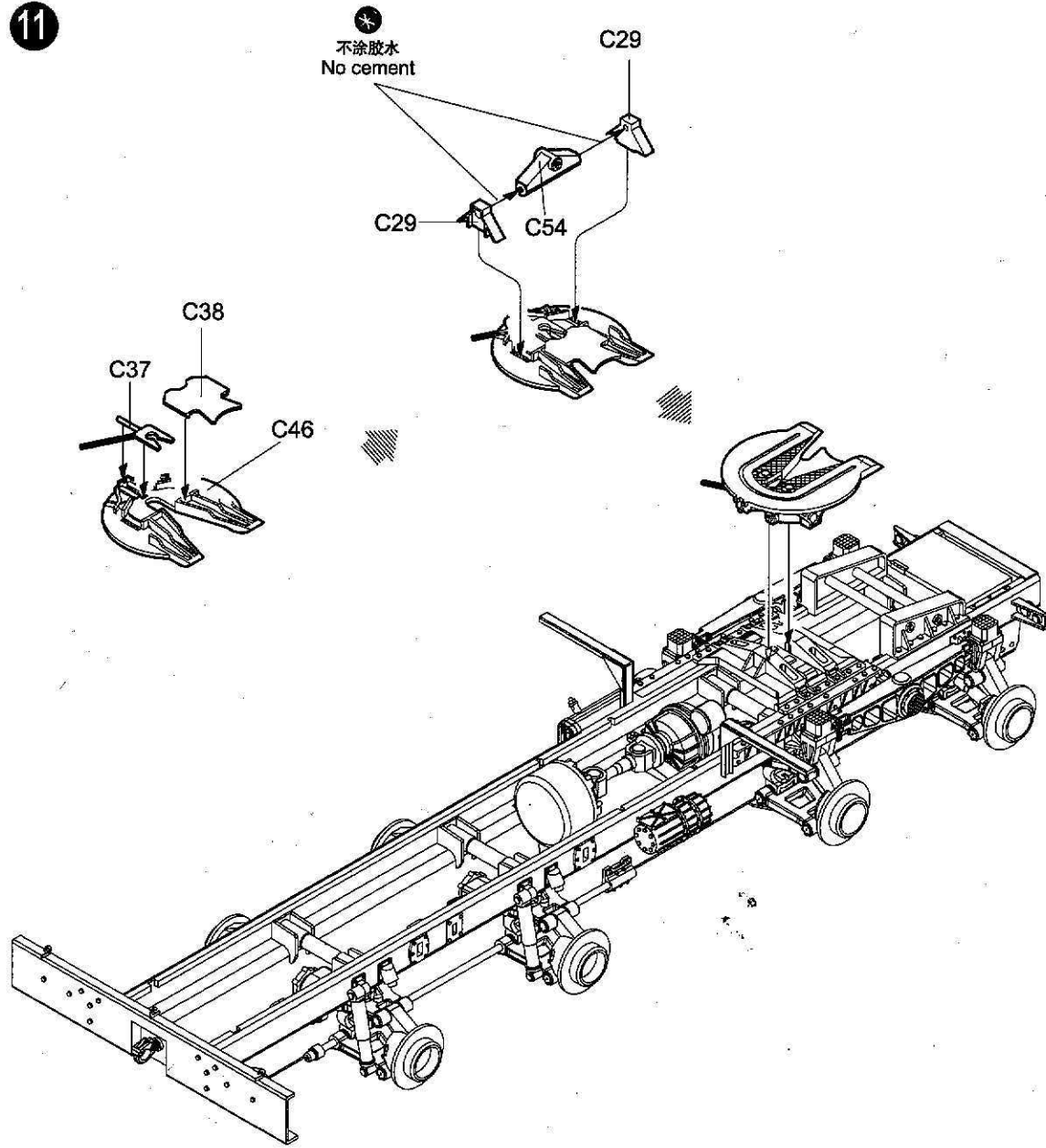
<<制作2组>>
Make two



<<制作4组>>
Make four

11

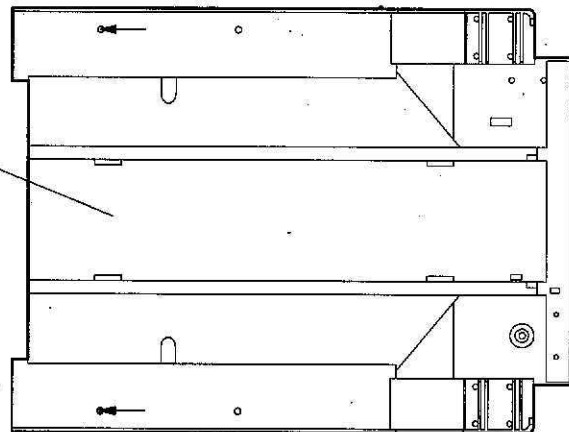
不涂胶水
No cement



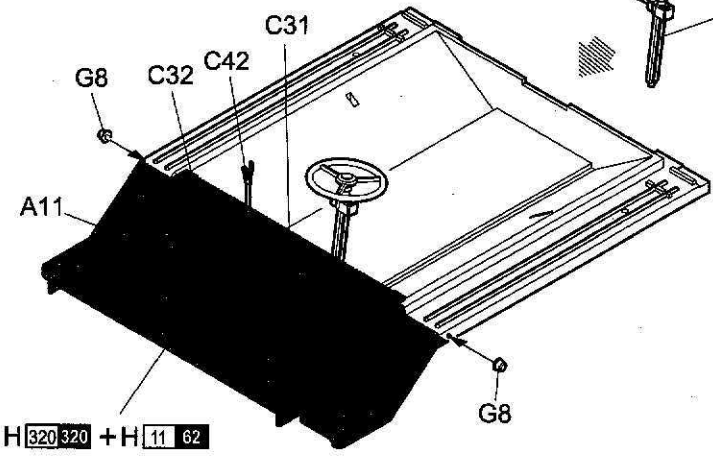
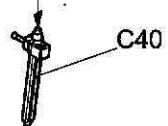
12

A2

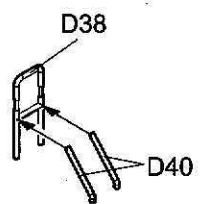
① 钻孔
Make holes



H 12 33 C39

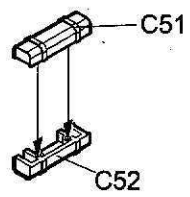


<<C>>

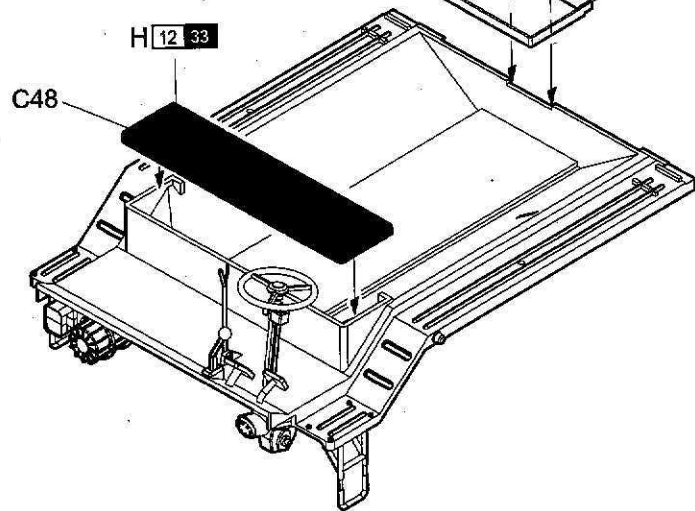
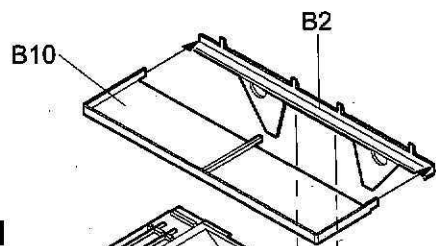
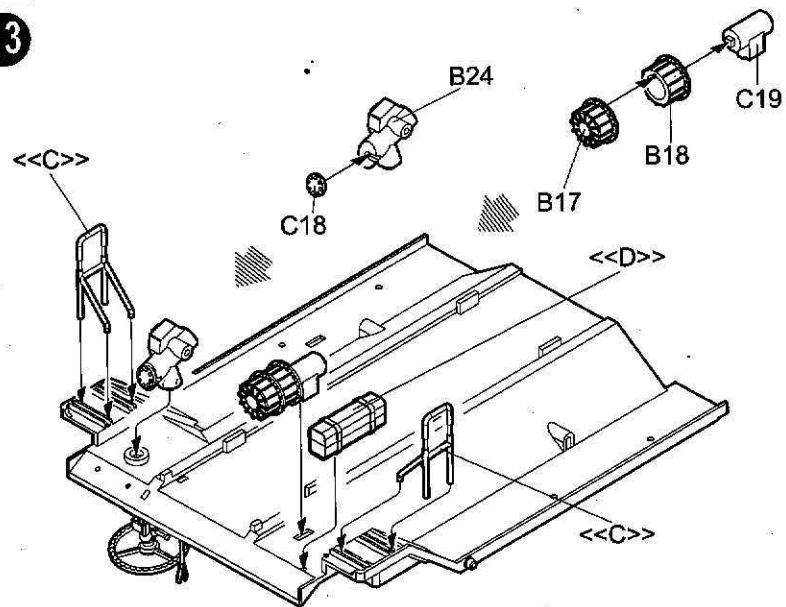


<<制作2组>>
Make two

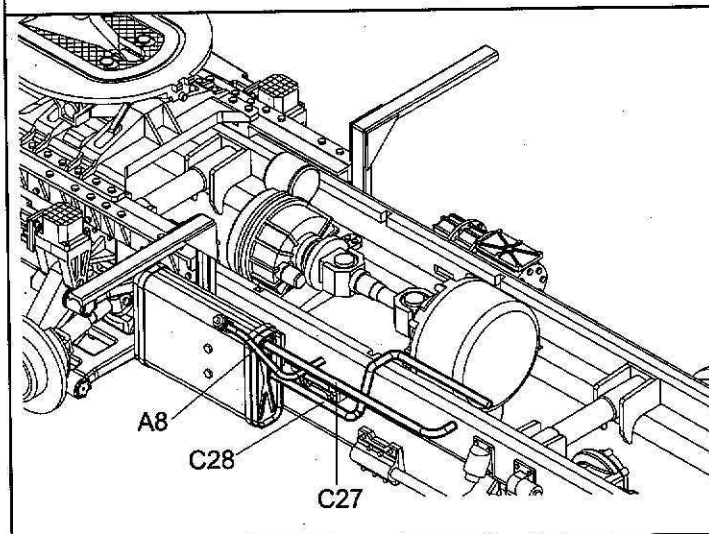
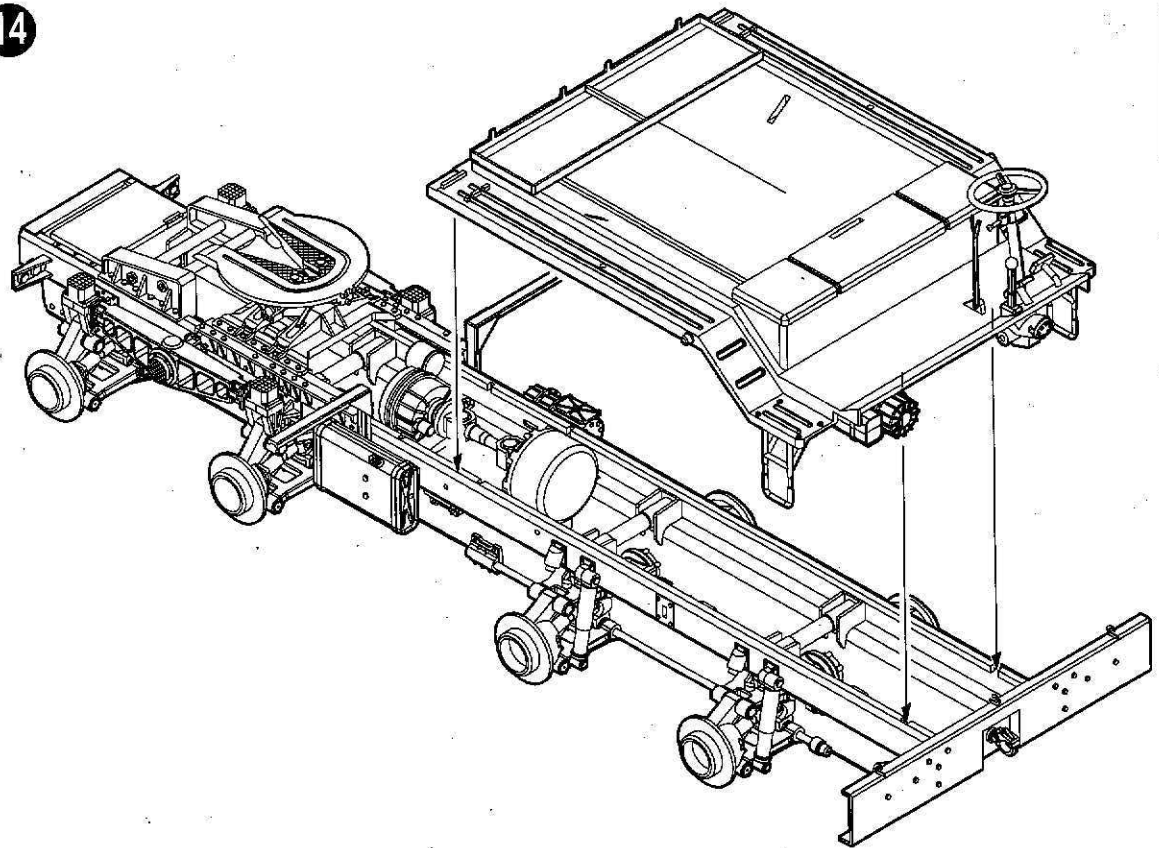
<<D>>

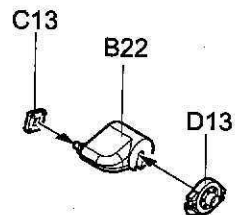
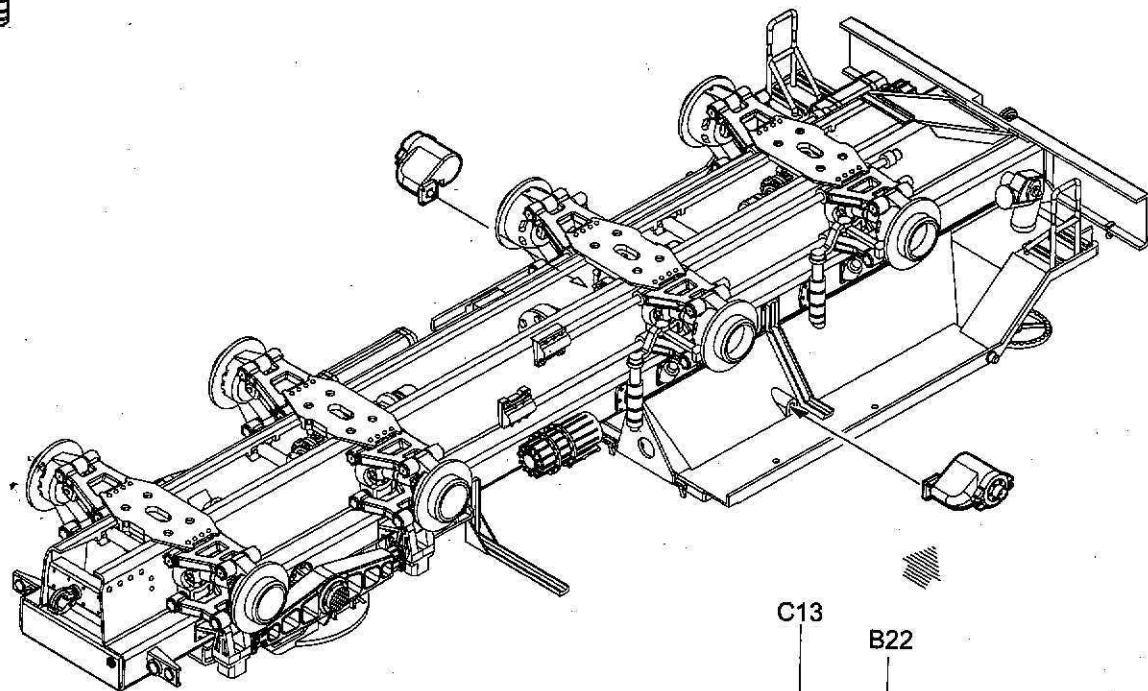
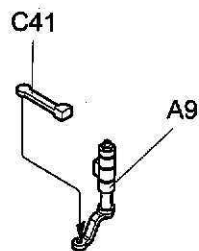
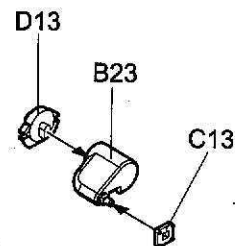
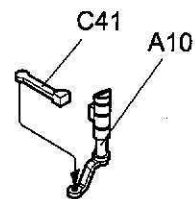
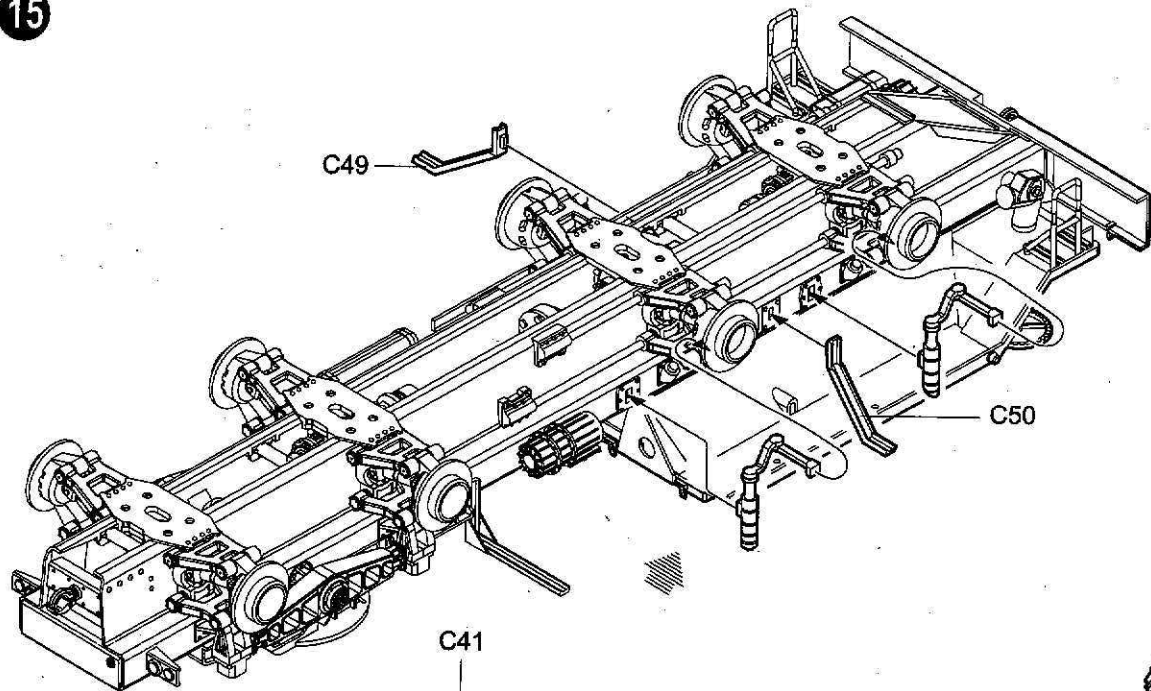


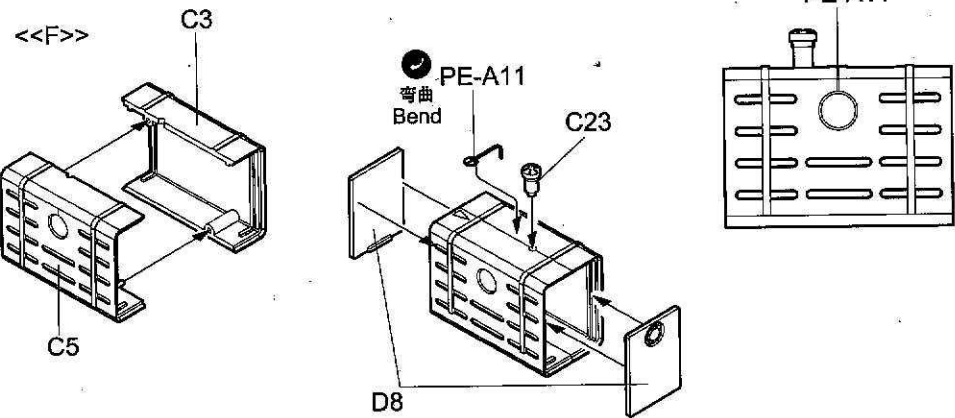
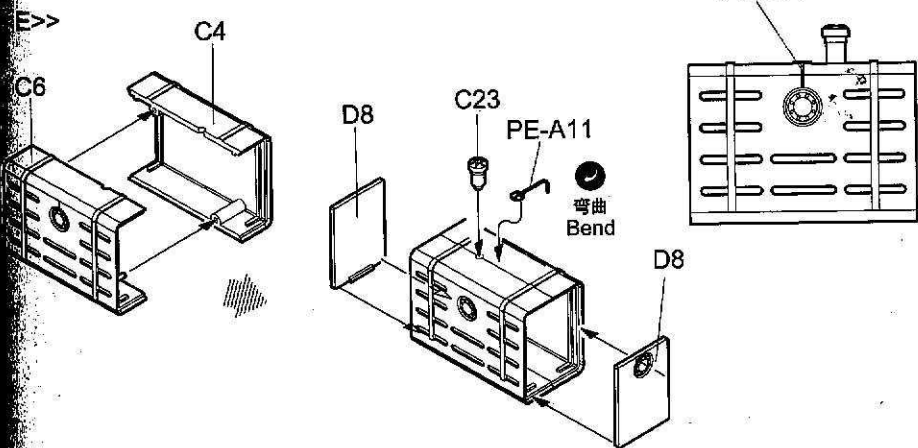
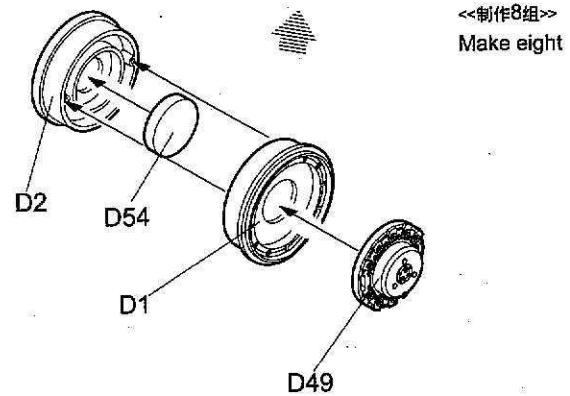
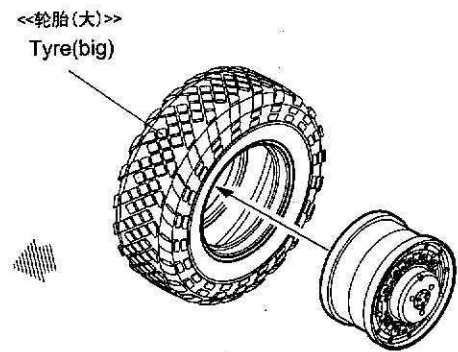
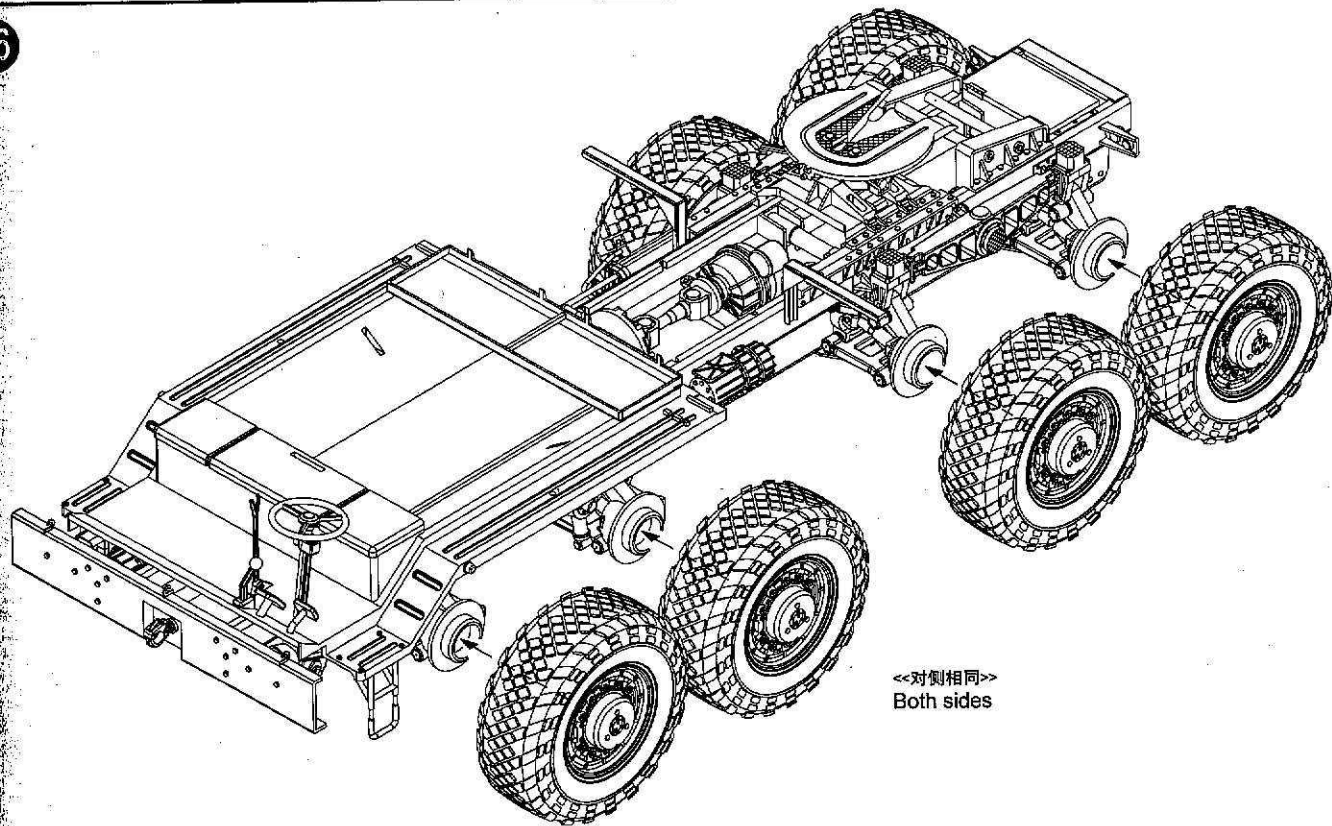
13

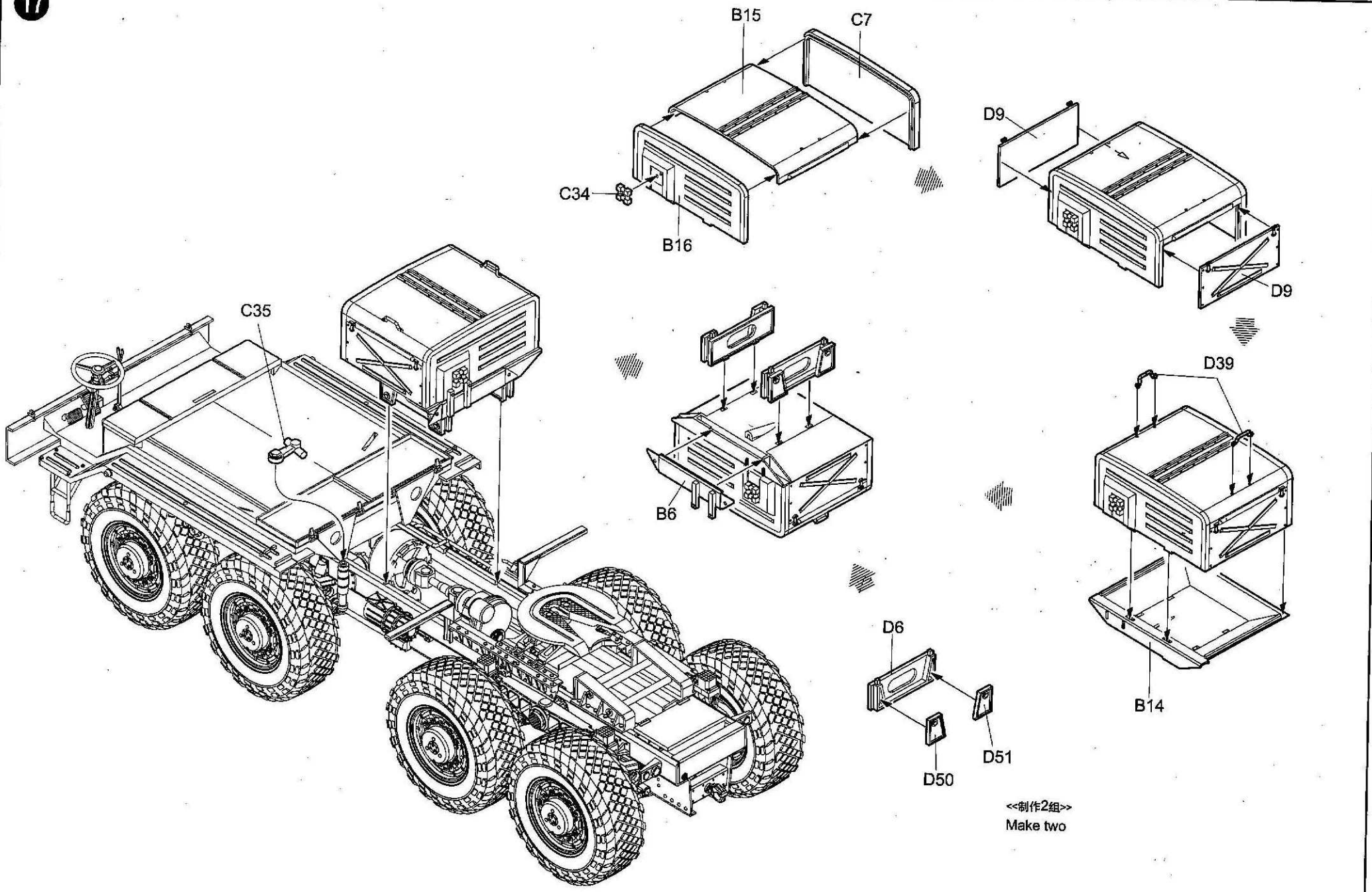


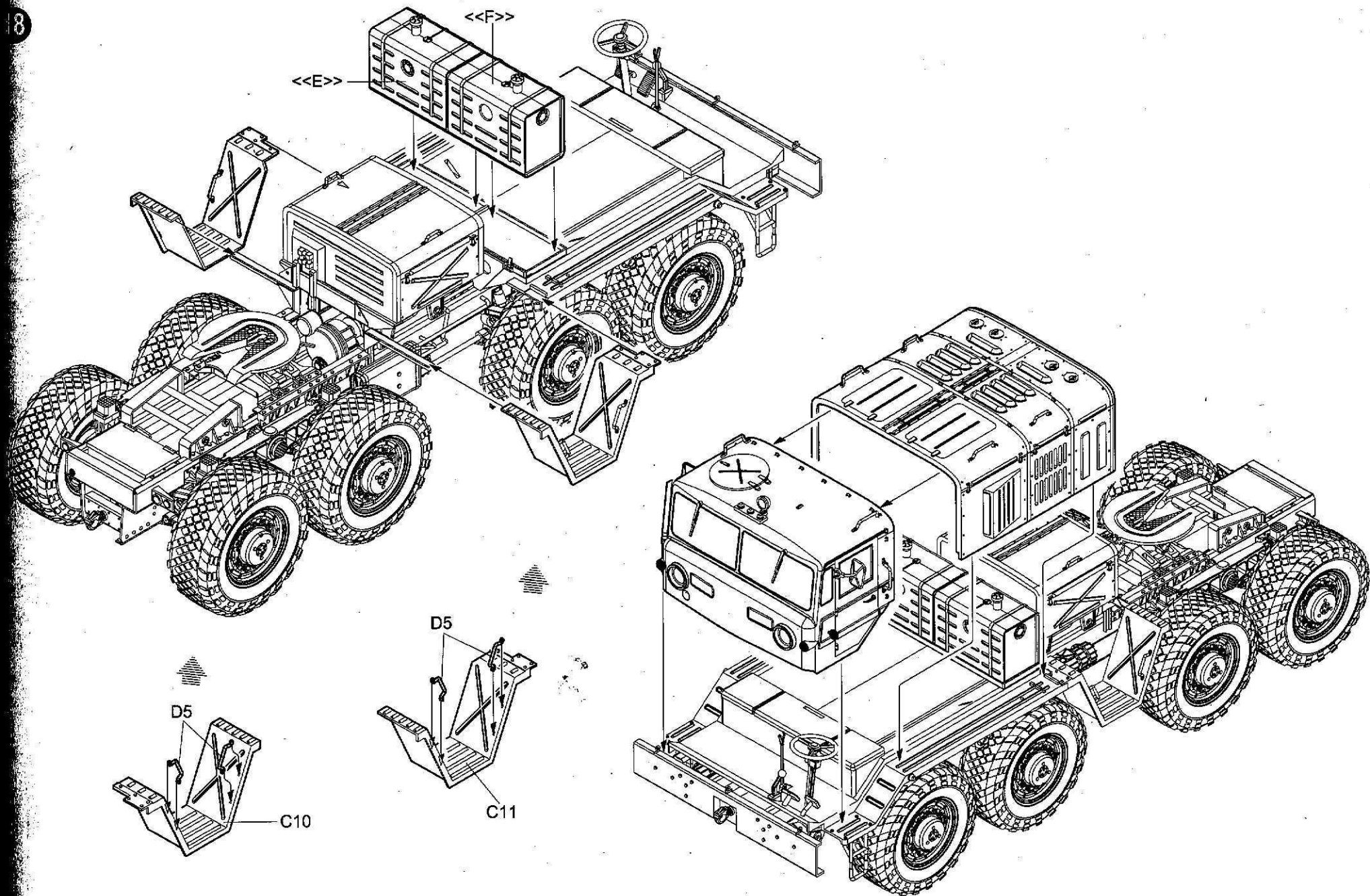
14

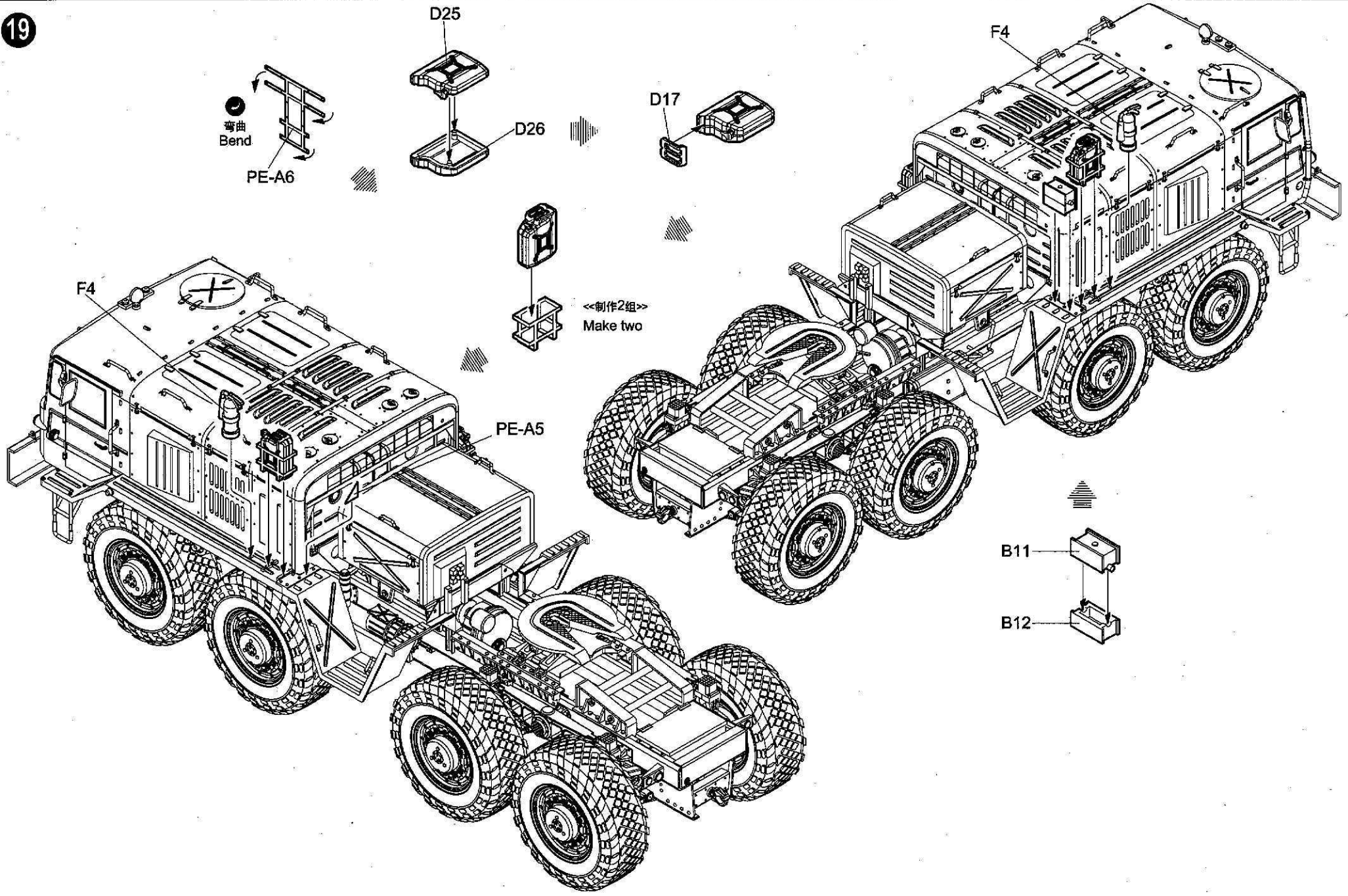


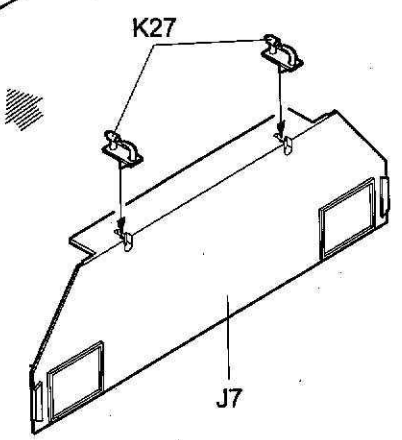
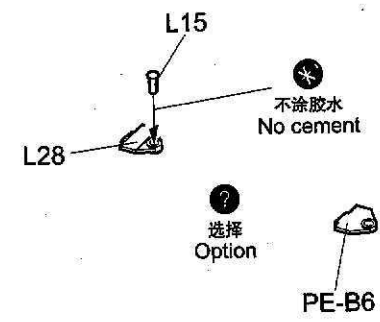
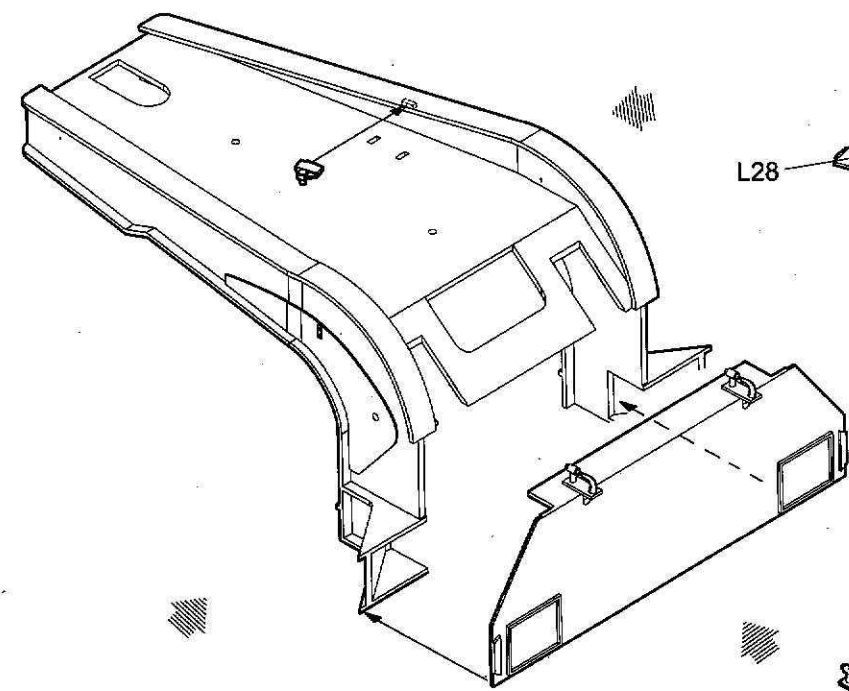
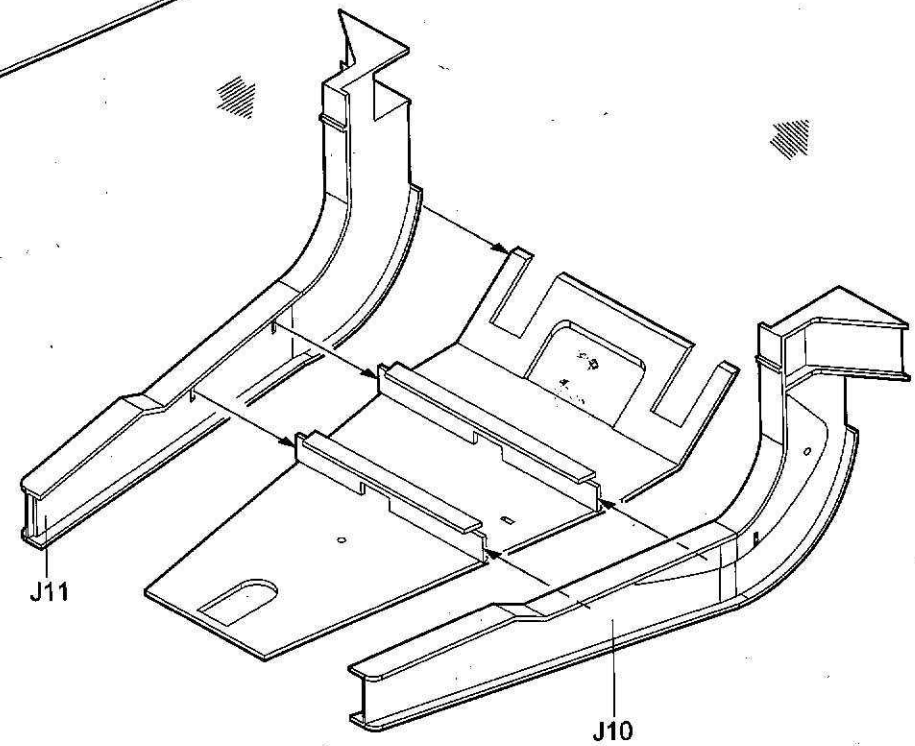
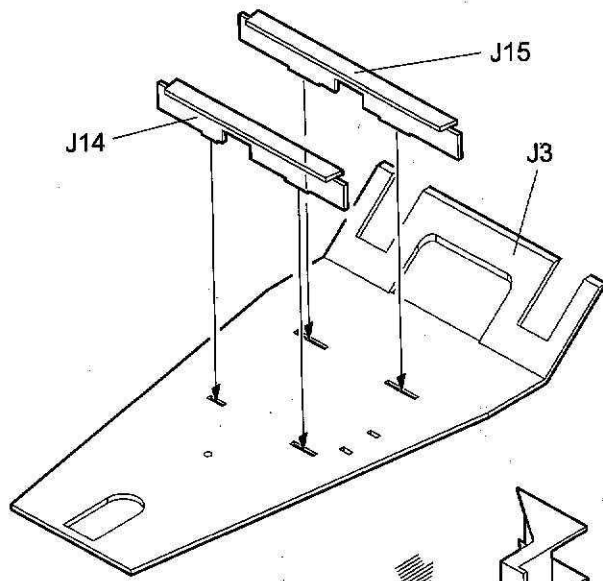




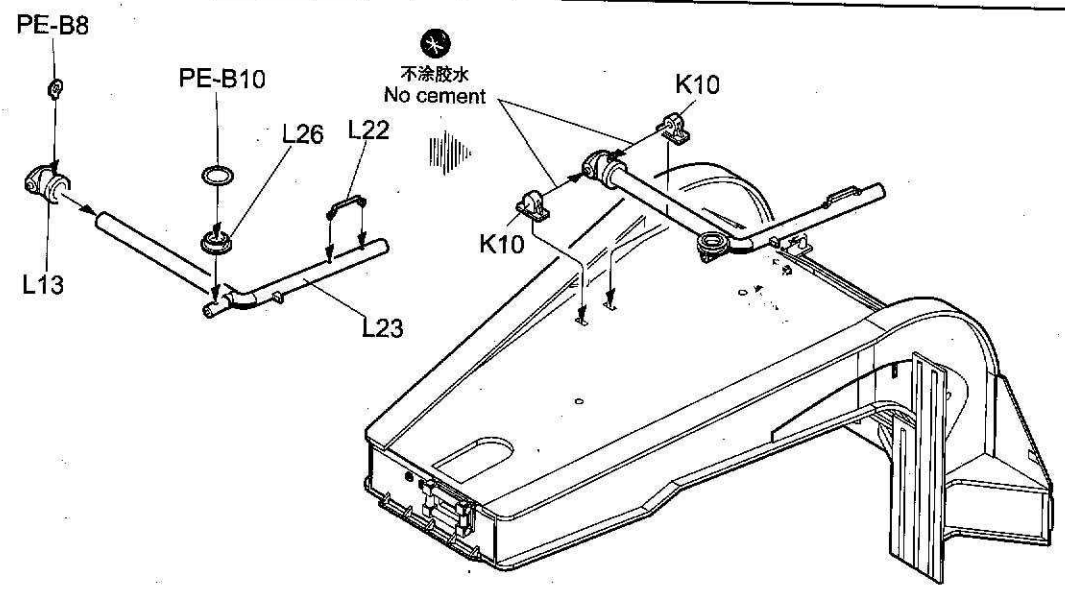
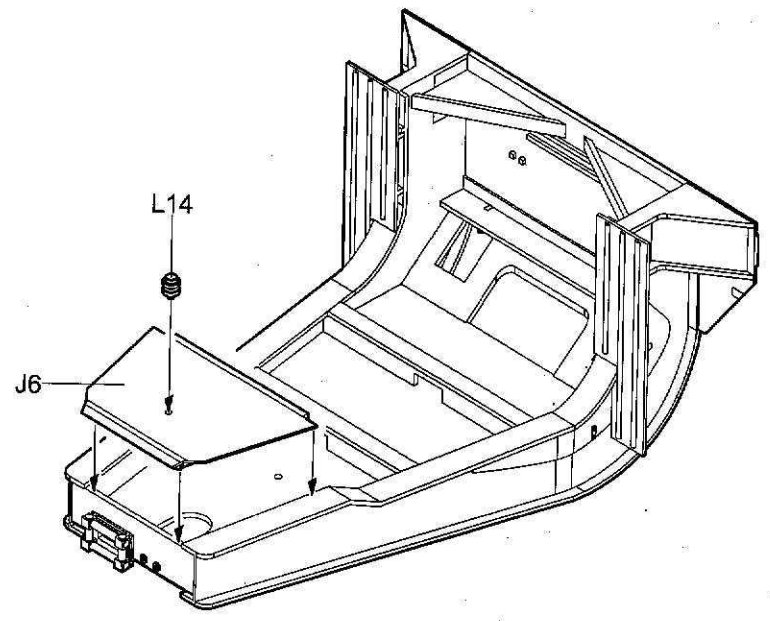
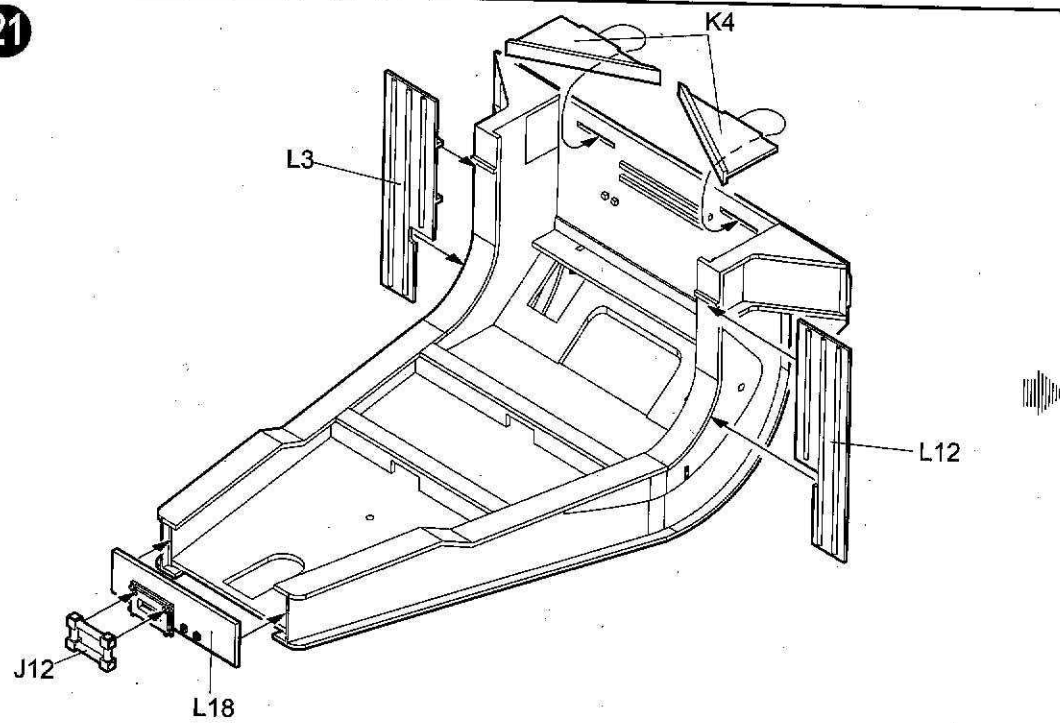




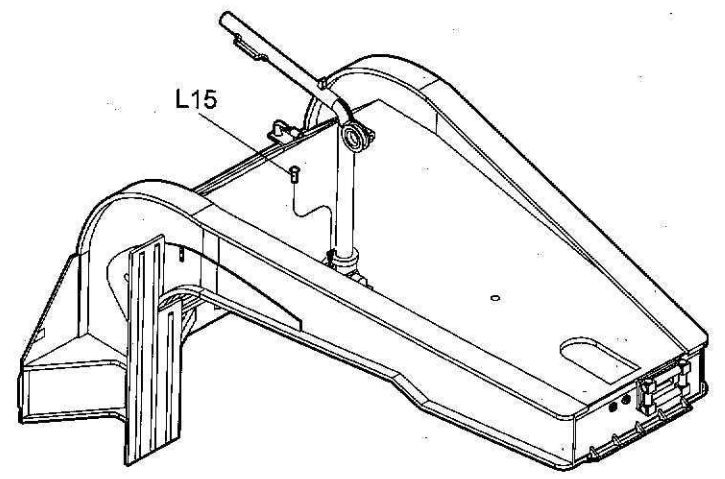


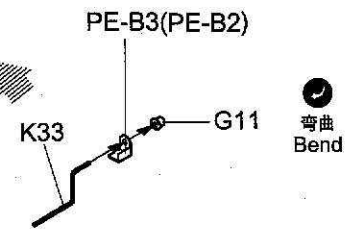
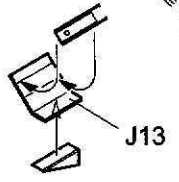
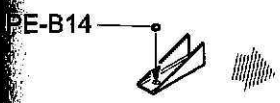
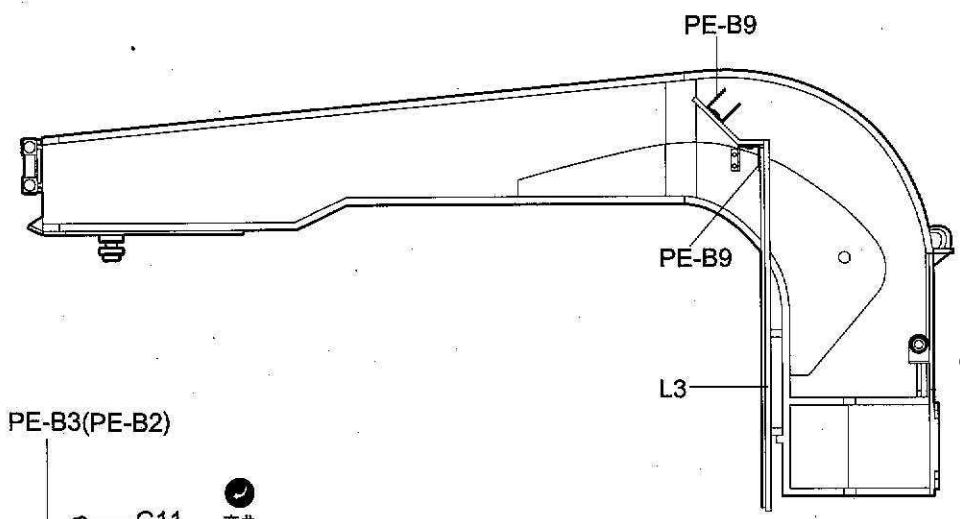
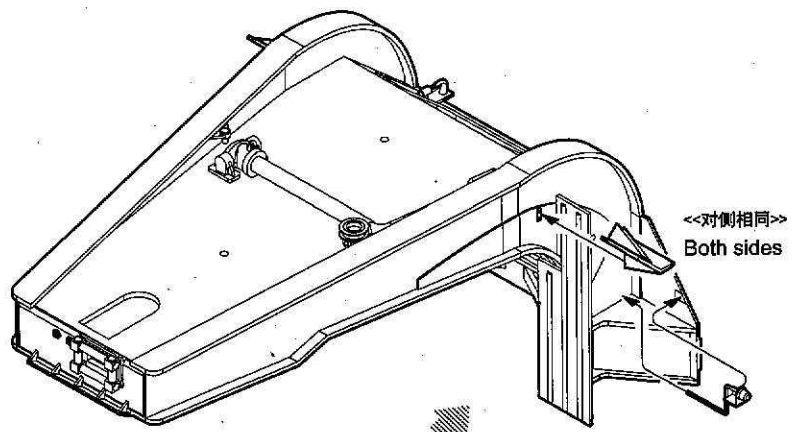


21



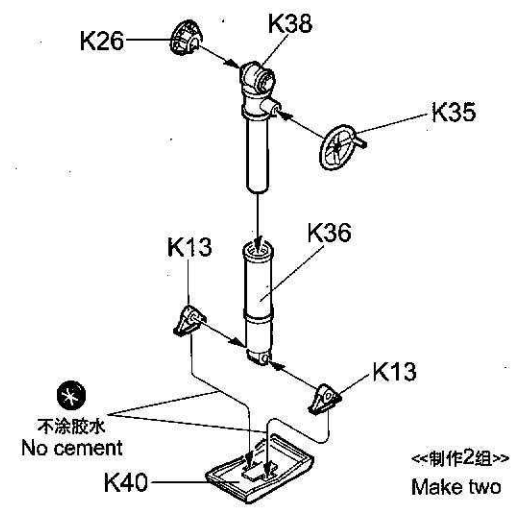
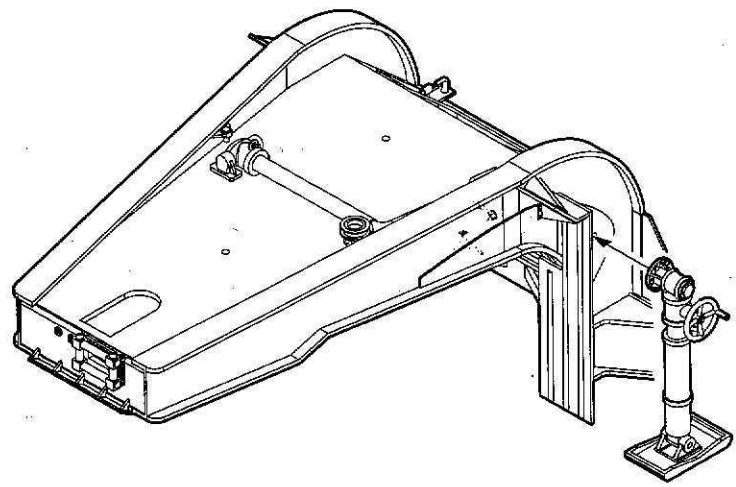
<< 垂直状态 >>
Vertical fette



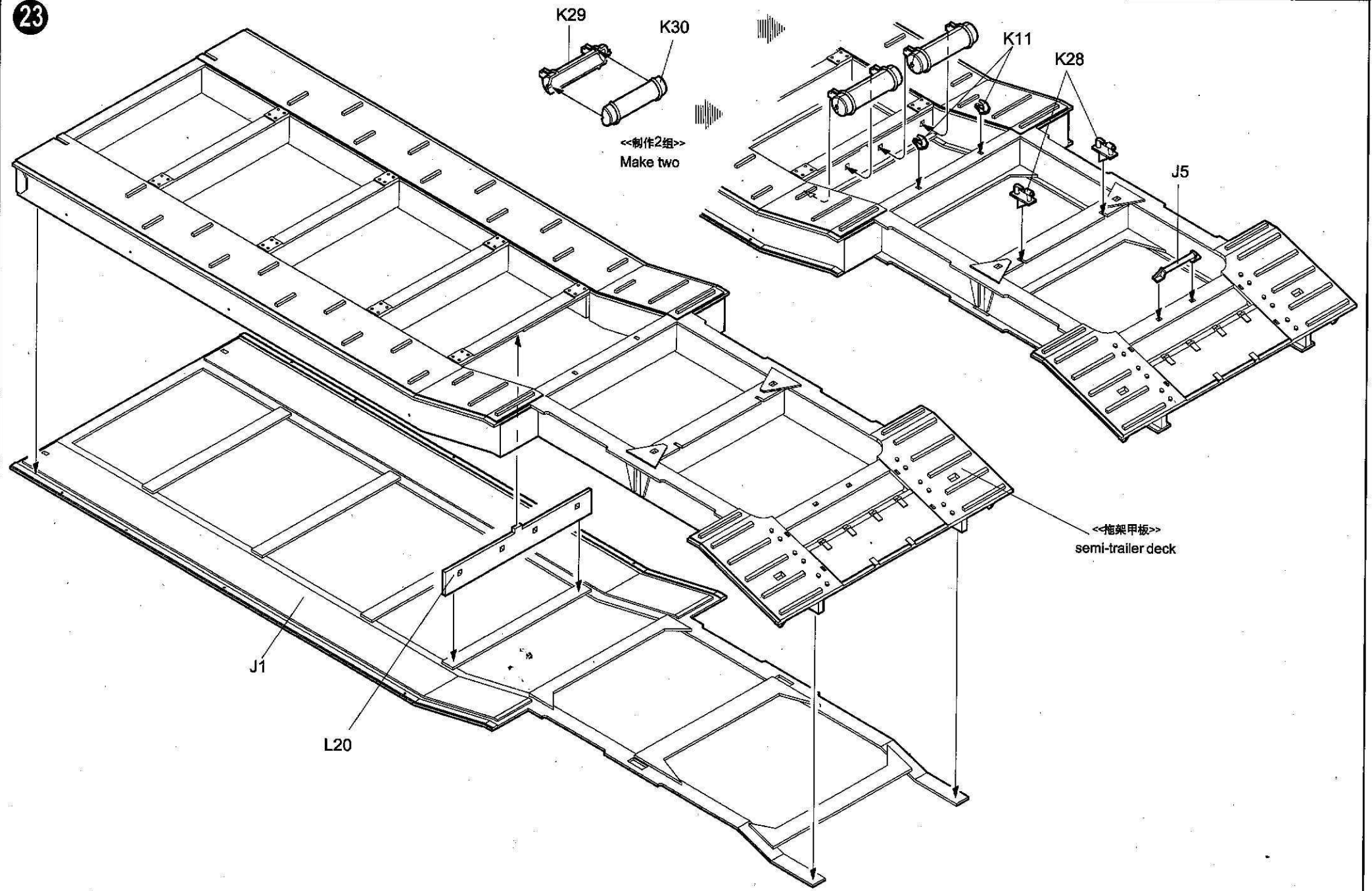


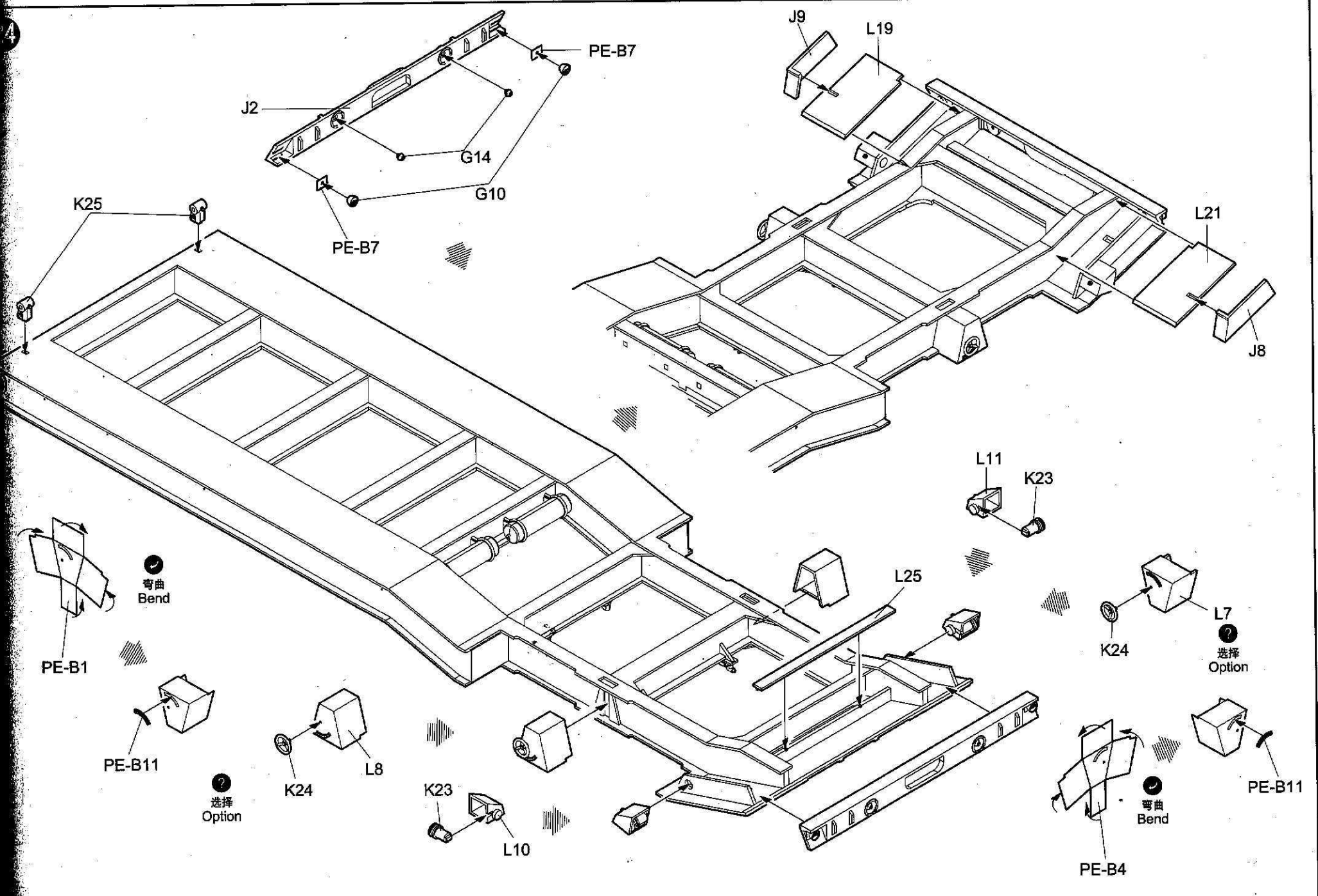
<<制作2组>>
Make two

With J13 make One Left and One for Right, not 2

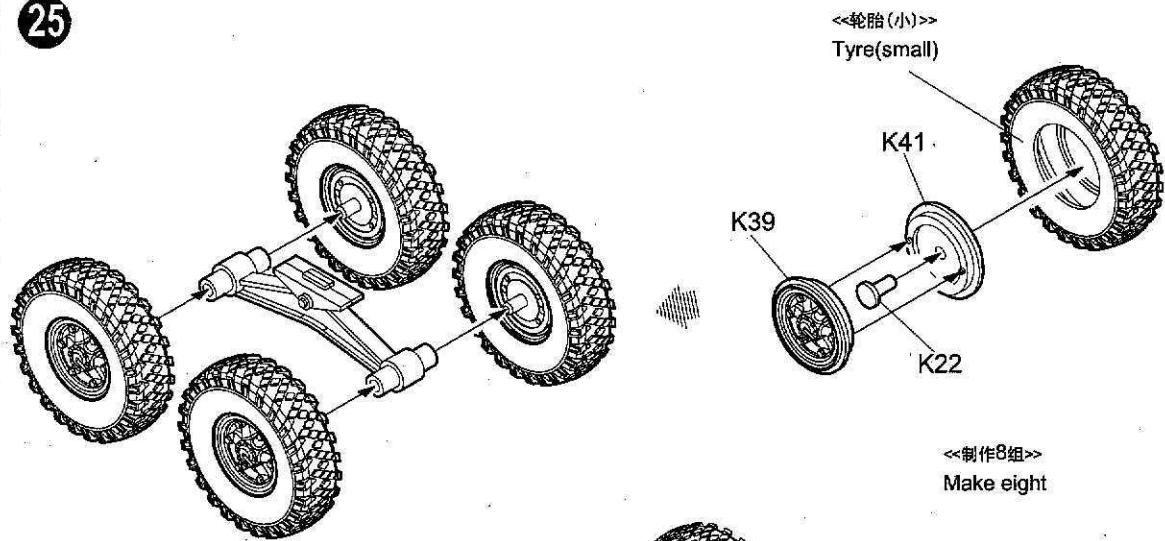


23



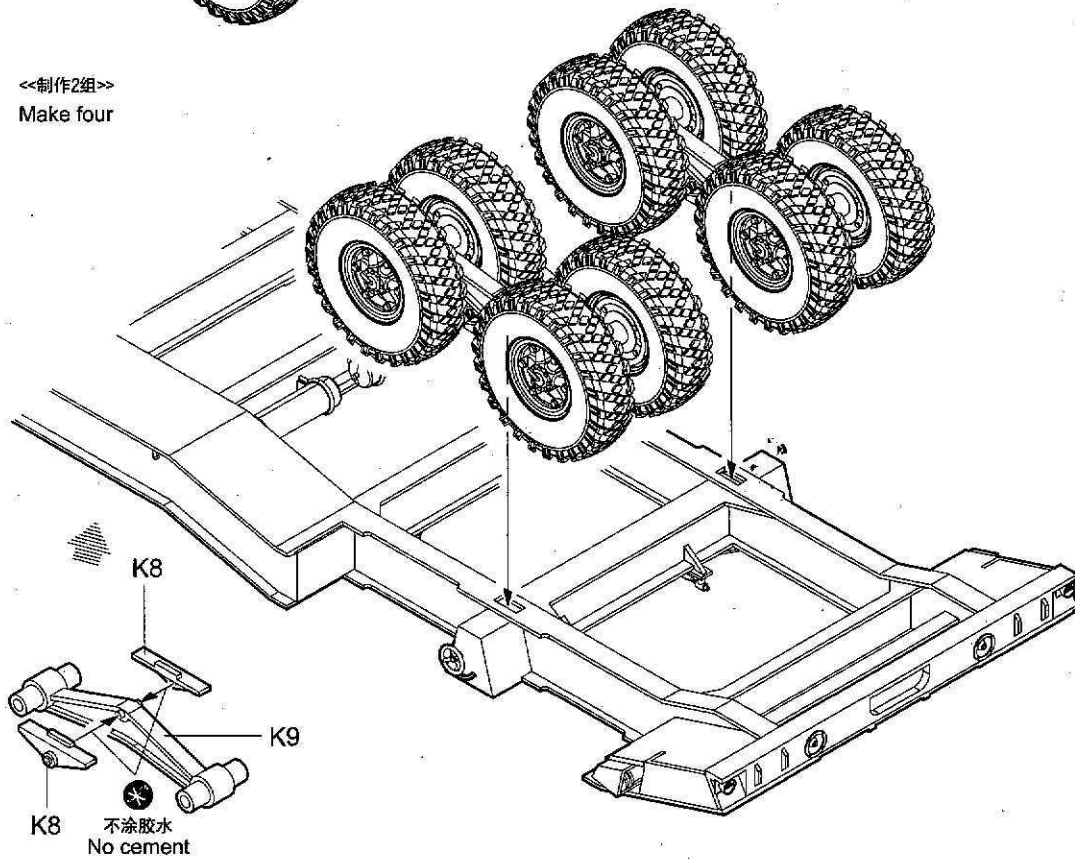


25

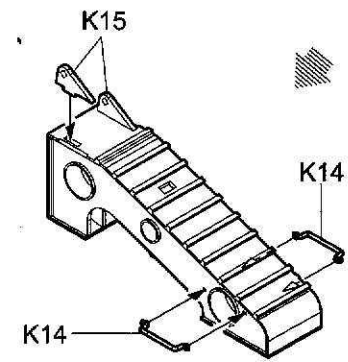
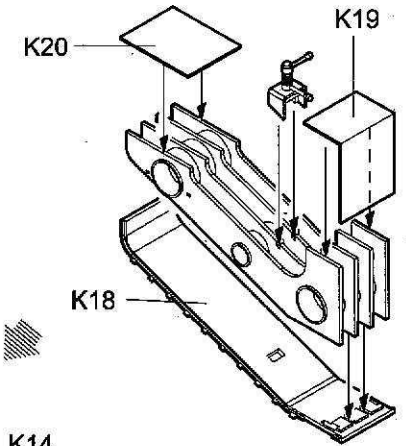
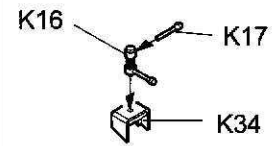
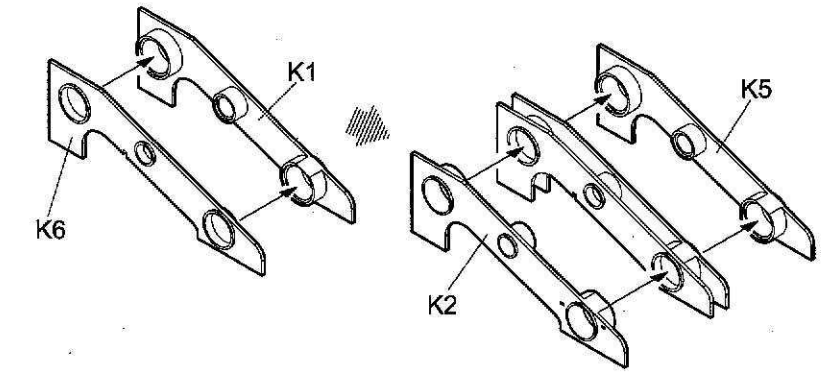


<<制作8组>>
Make eight

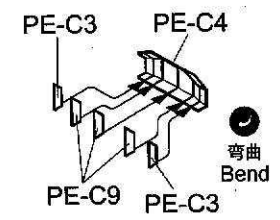
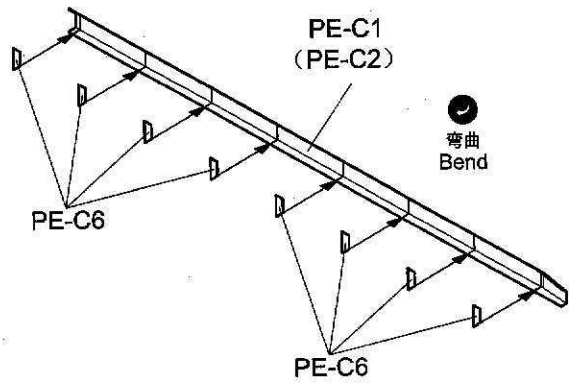
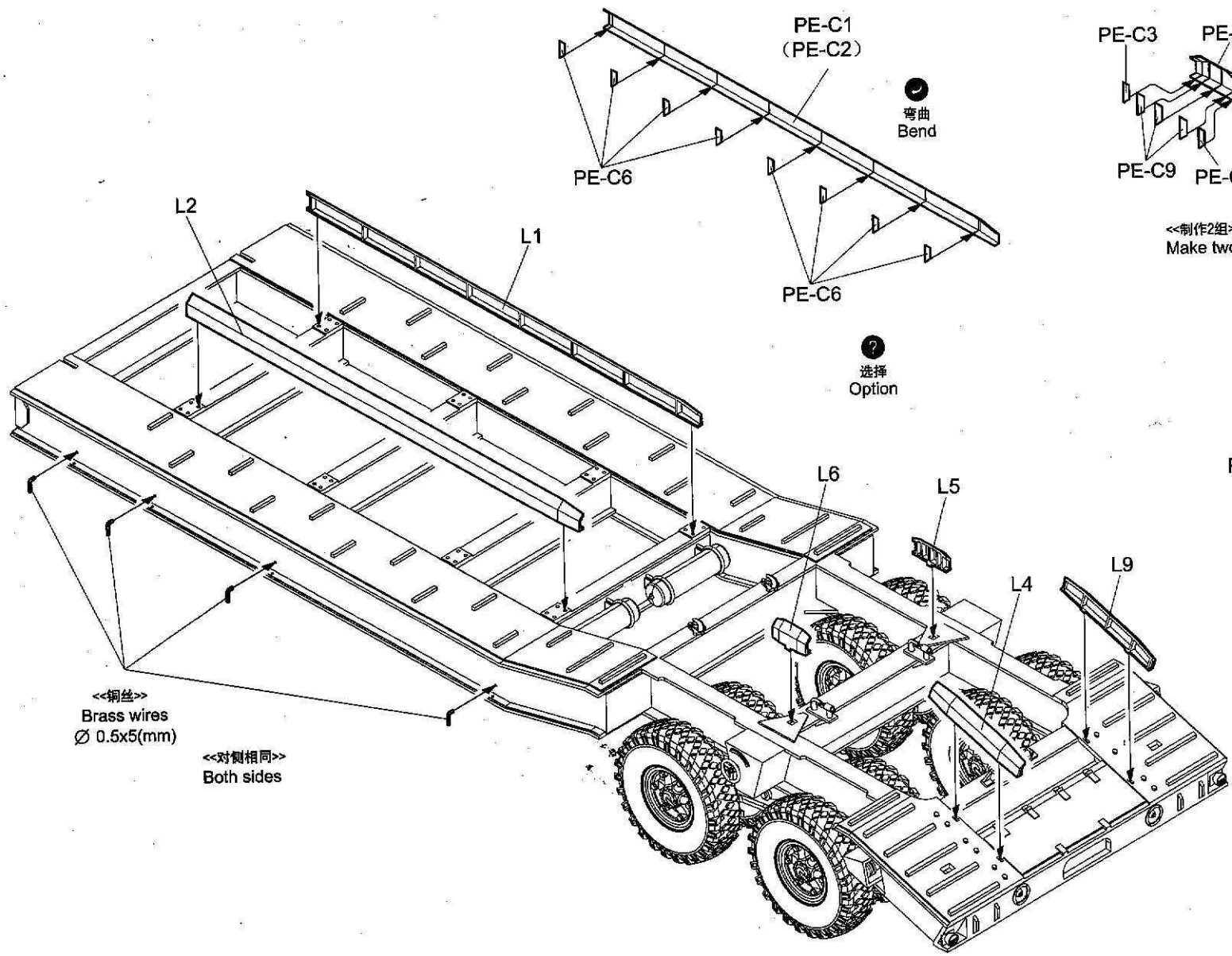
<<制作2组>>
Make four



26

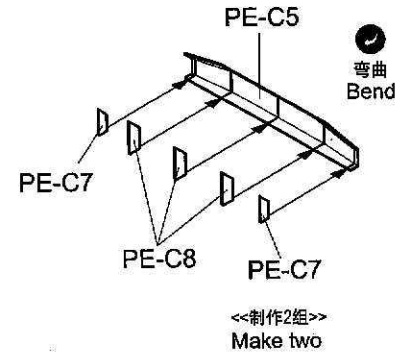


<<制作2组>>
Make two



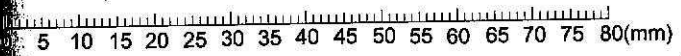
<<制作2组>>
Make two

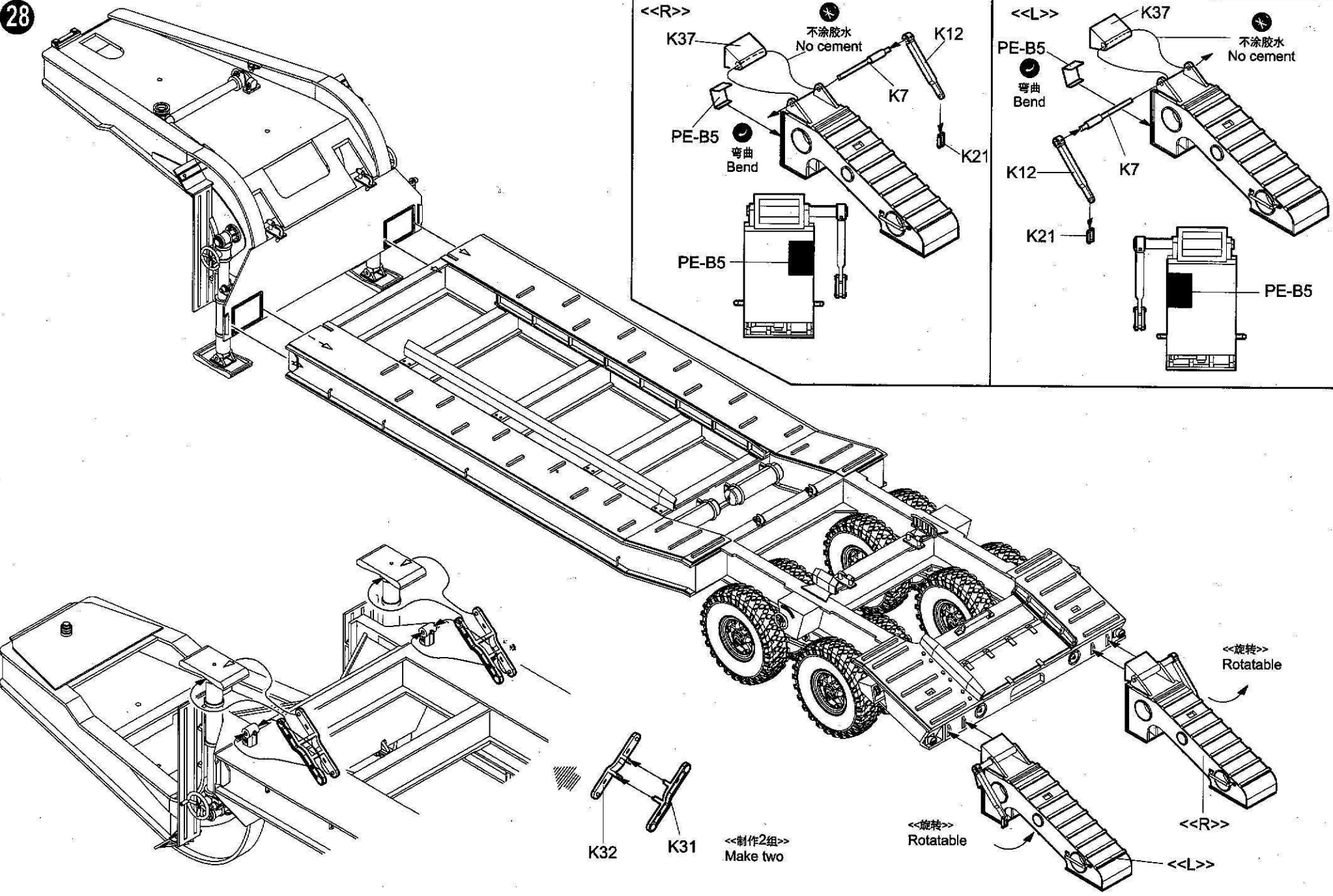
选择
Option

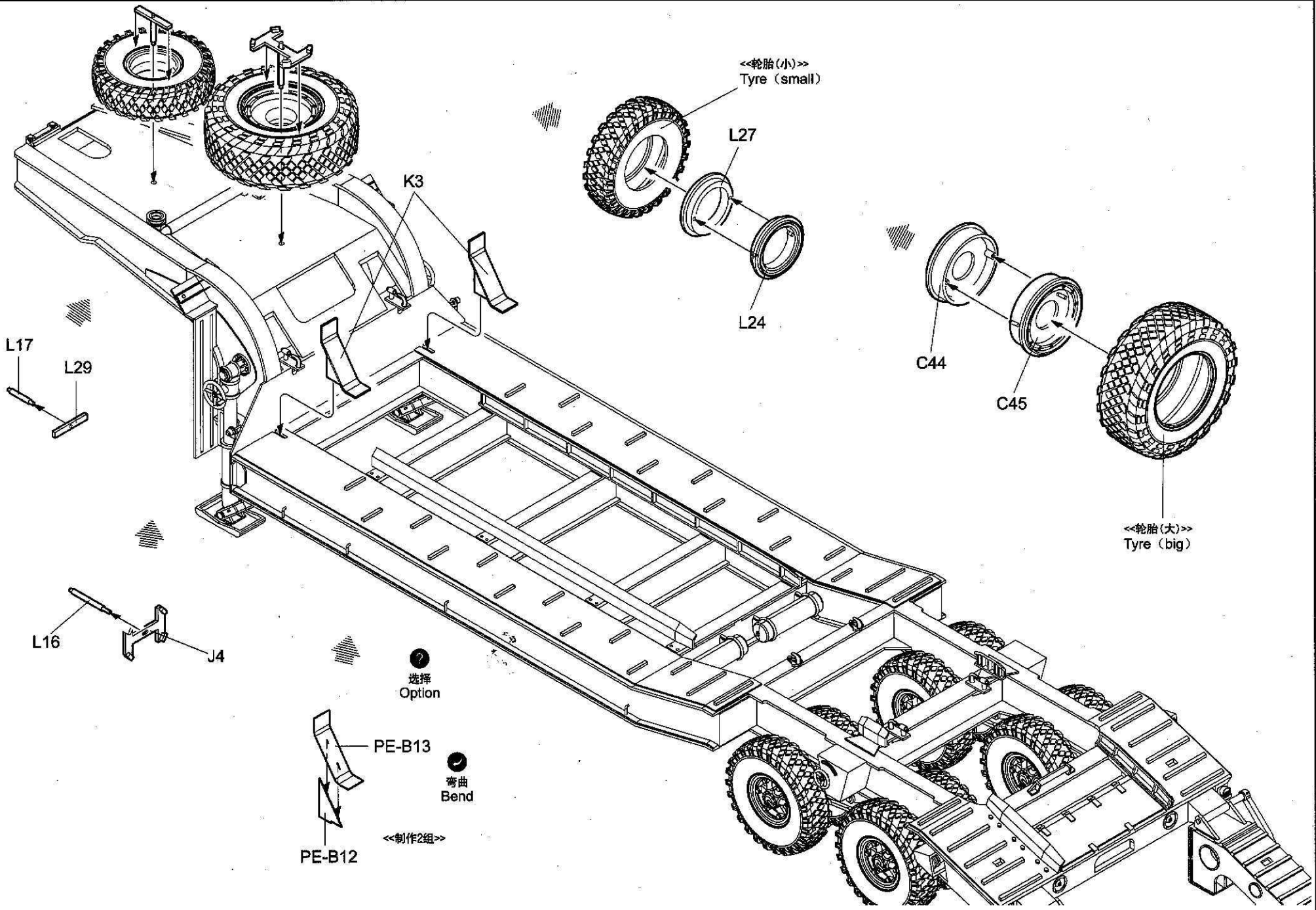


<<铜丝>>
Brass wires
Ø 0.5x5(mm)

<<对侧相同>>
Both sides







30

