



KIT 6880

85688000200

NASA SPACE SHUTTLE

WITH HISTORICAL BOOK

Step into the future with the powerful NASA Space Shuttle. This fascinating machine provides astronauts with the world's first reusable space exploration vehicle. The incredible Shuttle Transportation System (STS) is composed of a manned Shuttle Orbiter that is similar in many respects to a conventional aircraft. The Space Shuttle is equipped with a cavernous cargo bay that can carry manned and unmanned satellites into low earth orbit.

Designed and constructed by Rockwell International, it is similar in size to a DC-9 airliner. The fuselage measures in excess of 121 feet in length, and it has a wingspan of 78 feet. The craft weighs more than 165,000 pounds. Three exhaust nozzles and the liquid fuel pumps are mounted in the rear of the Shuttle fuselage.

With its ability to travel into space, orbit our planet and return to earth, NASA's Space Shuttle has proven to be

one of the most remarkable aircraft ever built. Riding on a column of flame and smoke, the Shuttle first climbed into space on April 12, 1981 (Space Transportation System -1, or STS-1). On April 19, 2001, the Shuttle Endeavour began STS-100, a visit to the International Space Station (ISS) under construction. On this mission, Endeavour carried a robotic arm which was installed on the orbiting station. According to the pilot, it was the most complicated robotic flight ever accomplished. Endeavour had flown nearly 4.9 million miles by the time it touched the runway at Edwards Air Force Base, home of the Dryden Flight Research Center. The flight lasted twelve days.



* REPEAT SEVERAL TIMES
* A REPETER PLUSIEURS FOIS



* OPTIONAL PARTS
* PIECES EN OPTION



* DECAL
* DECAL COMANIE



* ALTERNATIVE ASSEMBLY
* ENSEMBLAGE ALTERNATIVE



* CEMENT TOGETHER
* A COLLER



* REMOVE AND THROW AWAY
* A RETIRER ET JETER



* DO NOT CEMENT
* NE PAS COLLER

READ THIS BEFORE YOU BEGIN

- * Study the assembly drawings.
- * Each plastic part is identified by a number.
- * In the assembly drawings, some parts will be marked by a star (★) to indicate chrome-plated plastic.
- * For better paint and decal adhesion, wash the plastic parts in a mild detergent solution. Rinse and let air dry.
- * Check the fit of each piece before cementing in place.
- * Use only cement for polystyrene plastic.
- * Scrape plating and paint from areas to be cemented.
- * Allow paint to dry thoroughly before handling parts.
- * Any unused parts may be discarded.

DECAL APPLICATION INSTRUCTIONS

1. Cut desired decal from sheet.
2. Dip decal in water for a few seconds.
3. Place wet decal on paper towel.
4. Wait until decal is movable on paper backing.
5. Place decal in position on model, face up and slide backing away.
6. Press out air bubbles with a soft damp cloth.
7. Milkyness that may appear is for better decal adhesion and will dry clear. Wipe away any excess adhesive.
8. Do not touch decal until fully dry.
9. Allow the decals 48 hours to dry before applying clear coat.

NOTE: Decals are compatible with setting solutions or solvents.

LIRE CE QUI SUIT AVANT DE COMMENCER

- * Etudier les schémas de montage.
- * Chaque pièce en plastique est identifiée par un numéro.
- * Sur les schémas de montage, certaines pièces sont marquées d'une étoile (★) pour indiquer qu'elles sont en plastique chromé.
- * Pour une meilleure prise de la peinture et des autocollants, laver les pièces en plastique avec une solution détergente peu concentrée. Les rincer et les laisser sécher à l'air.
- * Vérifier que chaque pièce s'ajuste bien avant de la coller en place.
- * N'utiliser que de la colle pour polystyrène.
- * Gratter les parties à coller pour enlever le chrome et la peinture.
- * Laisser la peinture bien sécher avant de manipuler les pièces.
- * Toute pièce inutilisée peut être jetée.

DIRECTIVES D'APPLICATION DES AUTOCOLLANTS

1. Découper l'autocollant désiré de la feuille.
2. Tremper l'autocollant dans de l'eau pendant quelques secondes.
3. Placer l'autocollant mouillé sur une serviette en papier.
4. Attendez que l'autocollant puisse être déplacé sur son support en papier.
5. Mettre l'autocollant en position sur le modèle face sur le dessus et faire glisser le support pour l'enlever.
6. Appuyer avec un chiffon doux humide pour éliminer les bulles d'air.
7. La substance laiteuse qui peut apparaître est destinée à améliorer l'adhésion de l'autocollant et devient incolore au séchage. Essuyer pour enlever tout excédent d'adhésif.
8. Ne pas toucher l'autocollant tant qu'il n'est pas bien sec.
9. Laisser l'autocollant sécher pendant 48 heures avant d'appliquer une couche transparente.

REMARQUE: Les autocollants sont compatibles avec les solutions de fixation ou les solvants.

This paint guide is provided to complete this kit as shown on the box.

Ce guide de peinture est fourni pour reproduire le modèle réduit qui apparaît sur la boîte.

Flat Black	Noir mat
Silver	Argent
Semigloss Black	Noir satiné
Light Sea Gray FS 36307	Gris de mer clair
Gunmetal	Bronze
Satin White	Blanc satiné
Off White FS 27875	Blanc cassé
Black-Gray FS 26122	Gris-noir

If you have any questions or comments, call our hotline at: **(800) 833-3570**
or, please write to:

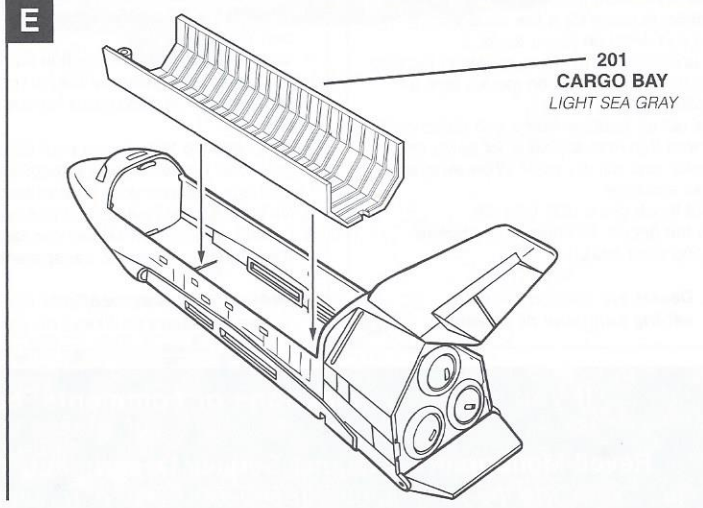
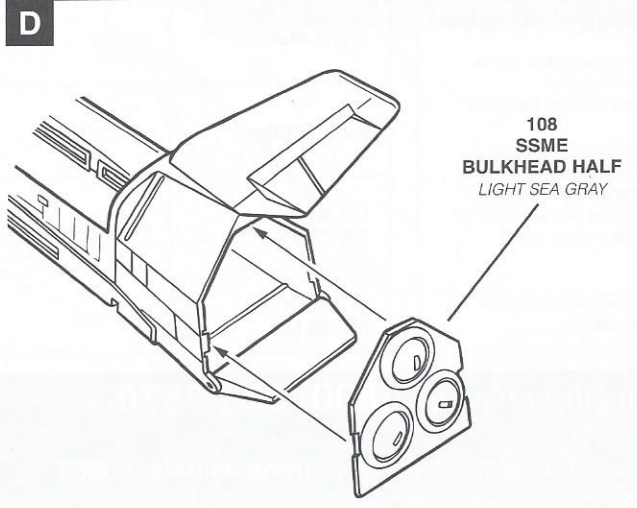
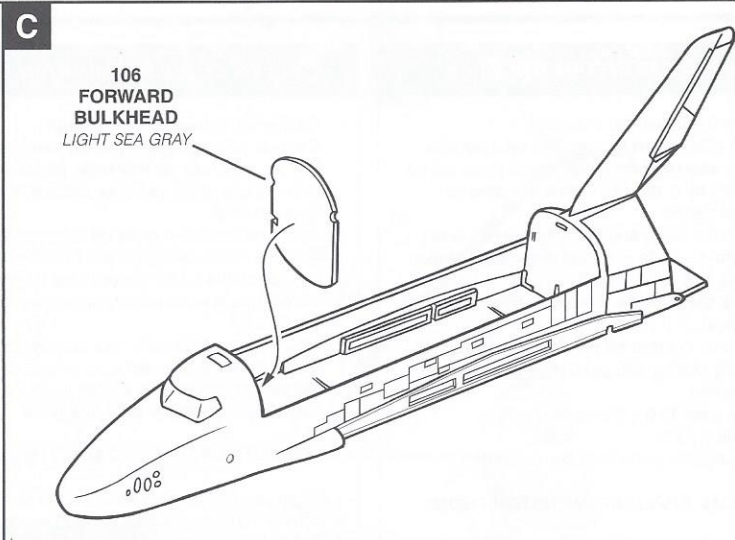
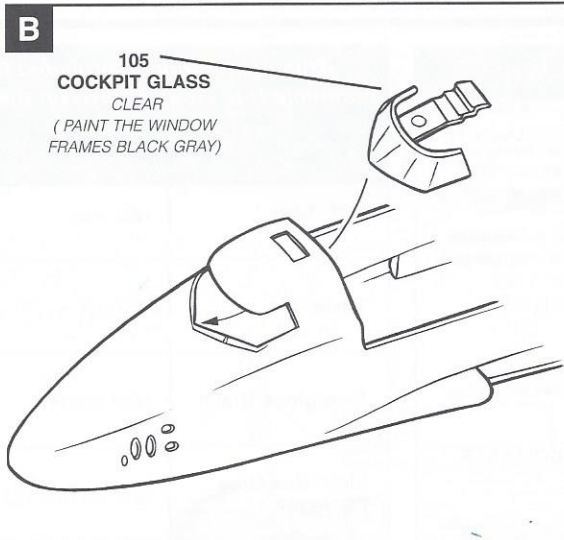
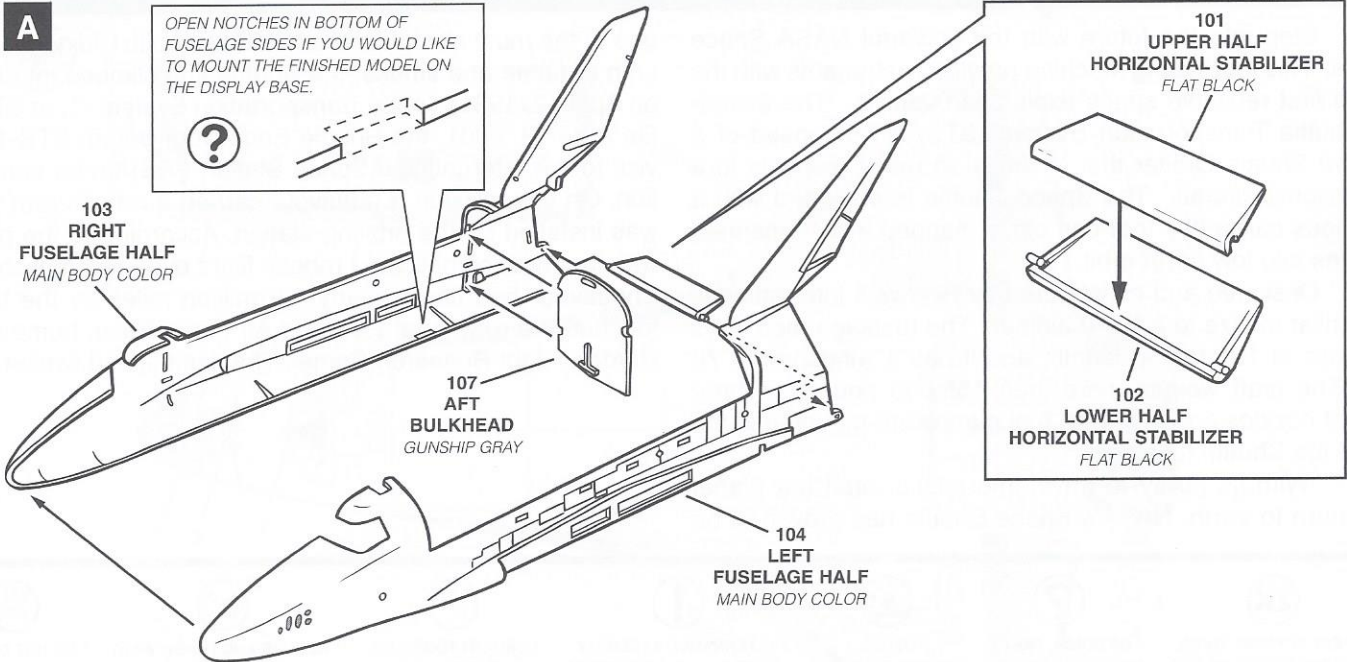
Revell-Monogram Consumer Service Department, 725 Landwehr Road, Northbrook, Illinois 60062

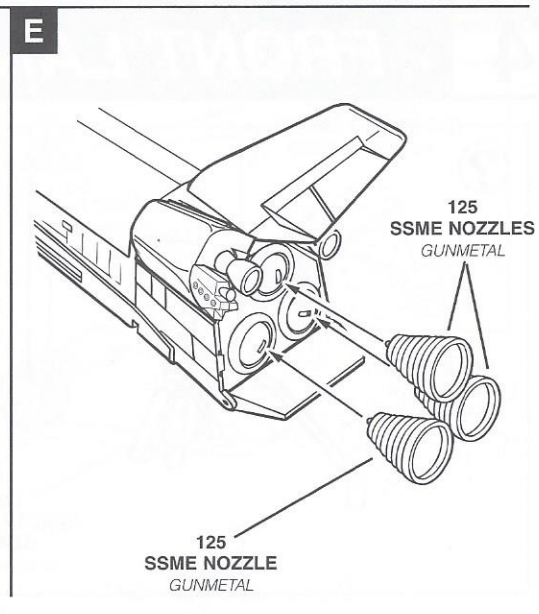
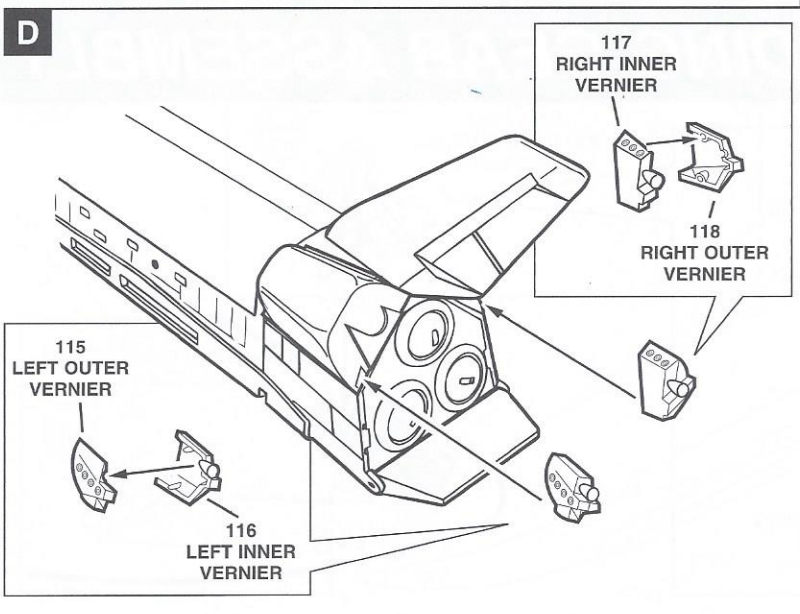
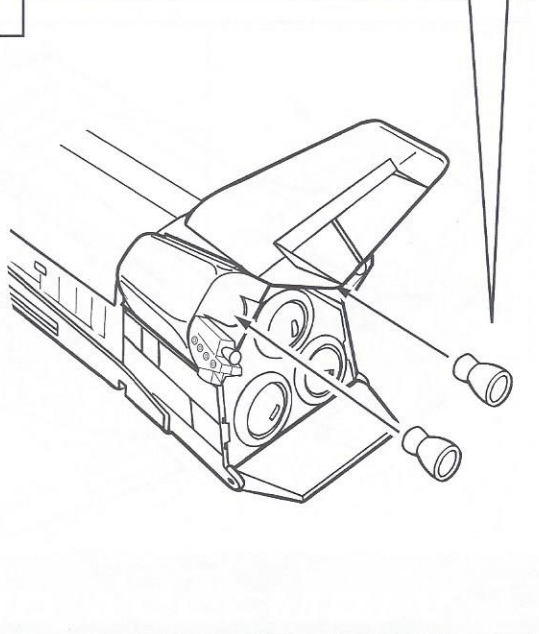
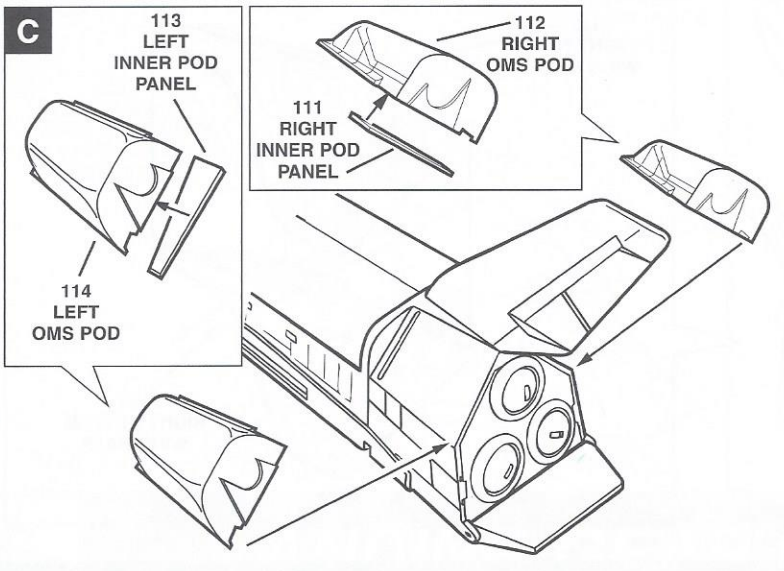
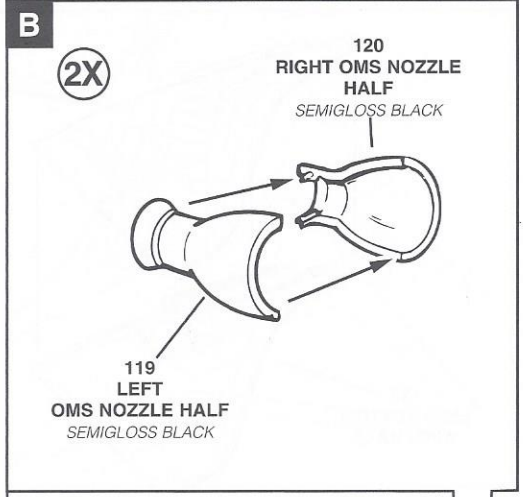
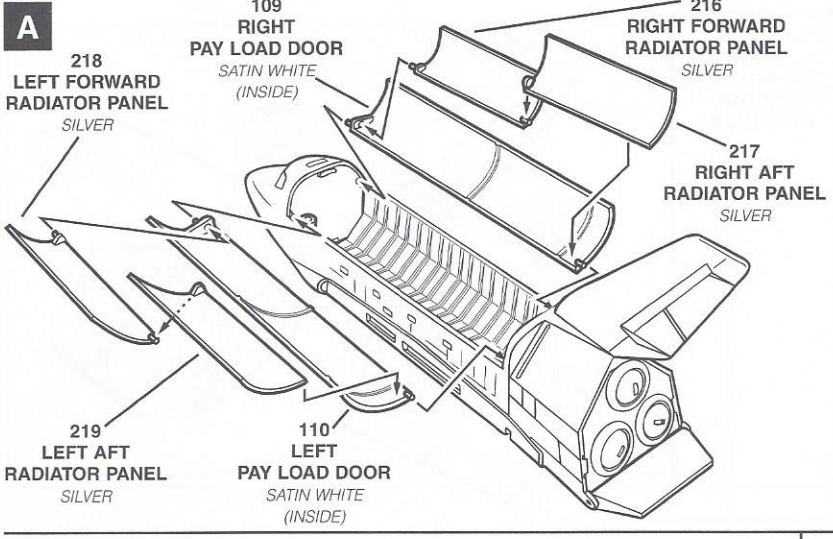
Be sure to include the plan number (85688000200), part number, description, your return address and phone number.

Visit our website: www.revellmonogram.com

1

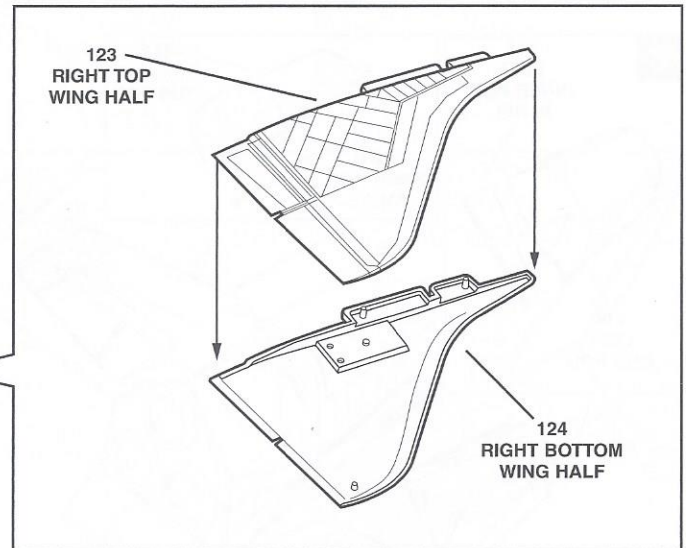
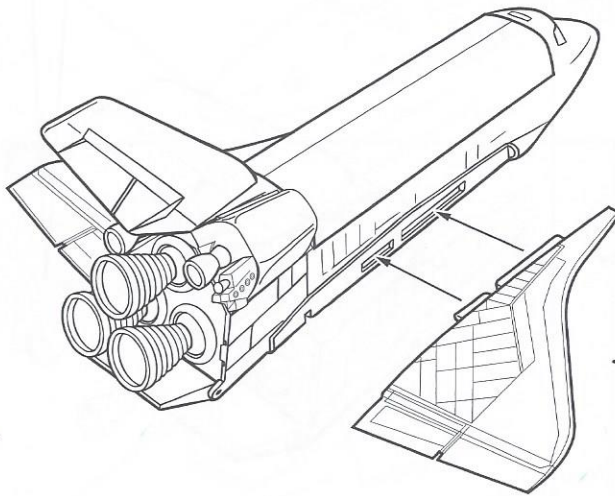
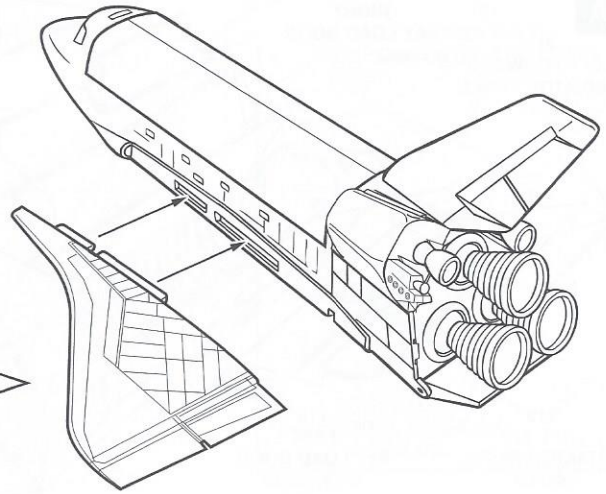
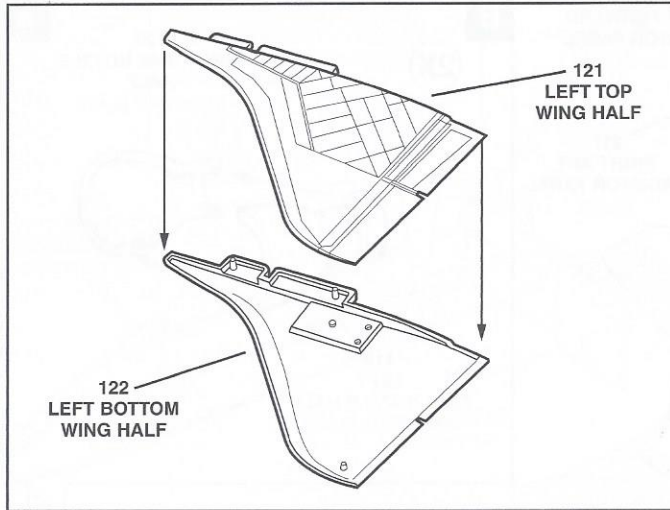
FUSELAGE ASSEMBLY





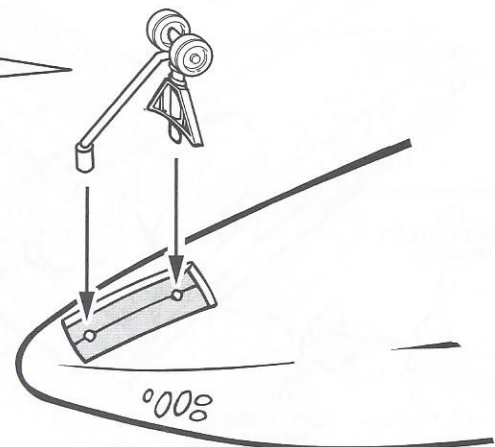
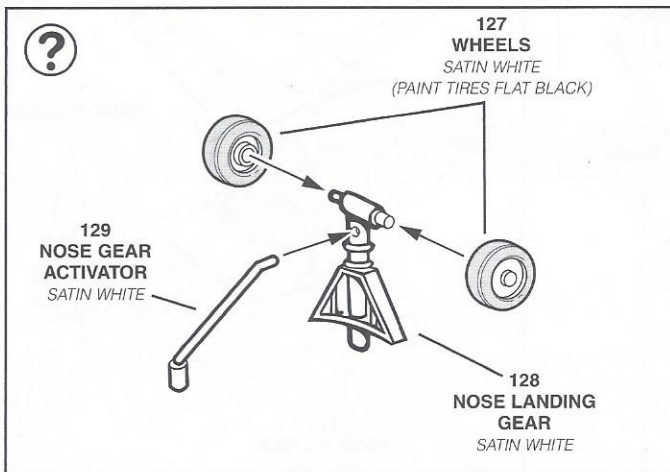
3

WING ASSEMBLY



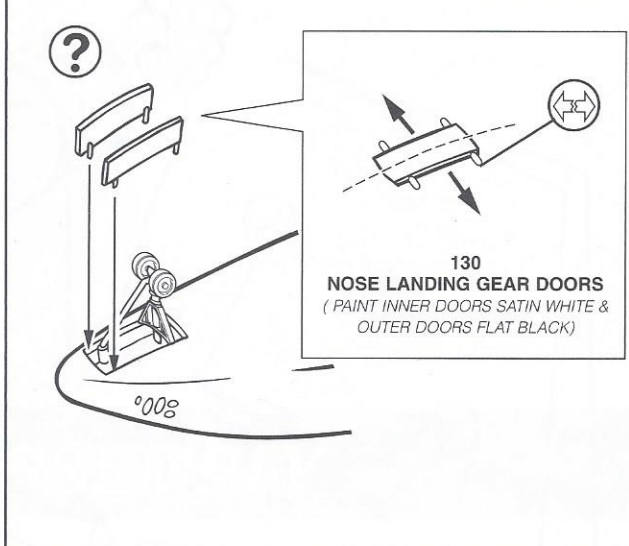
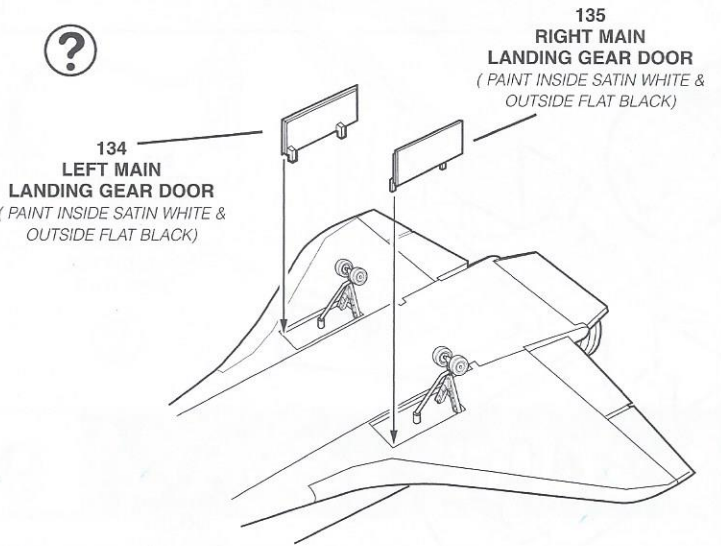
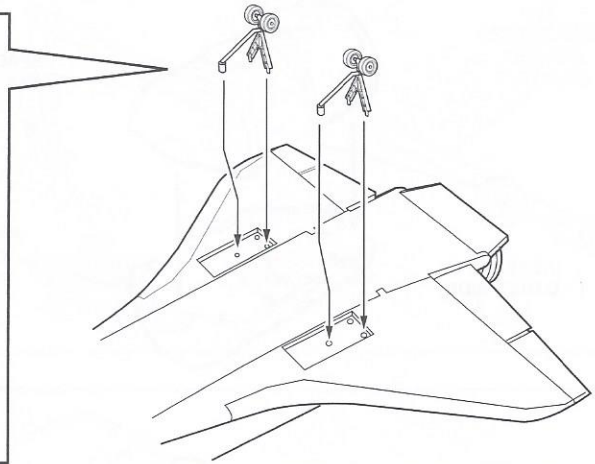
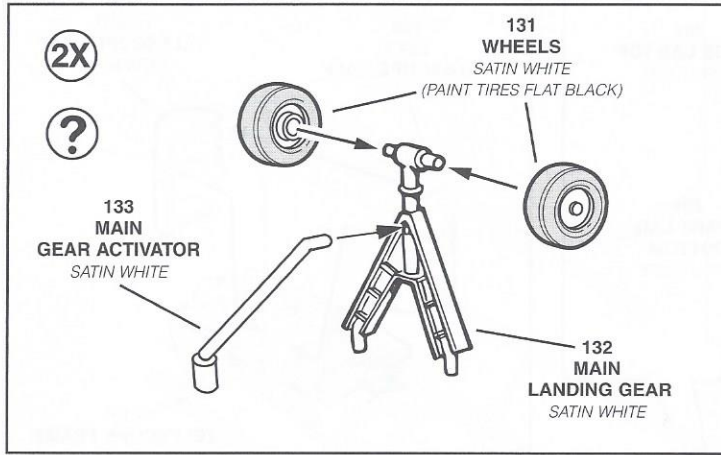
4

FRONT LANDING GEAR ASSEMBLY



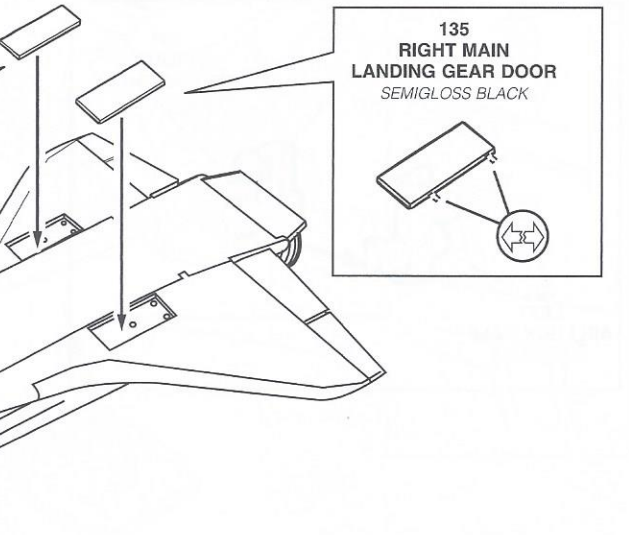
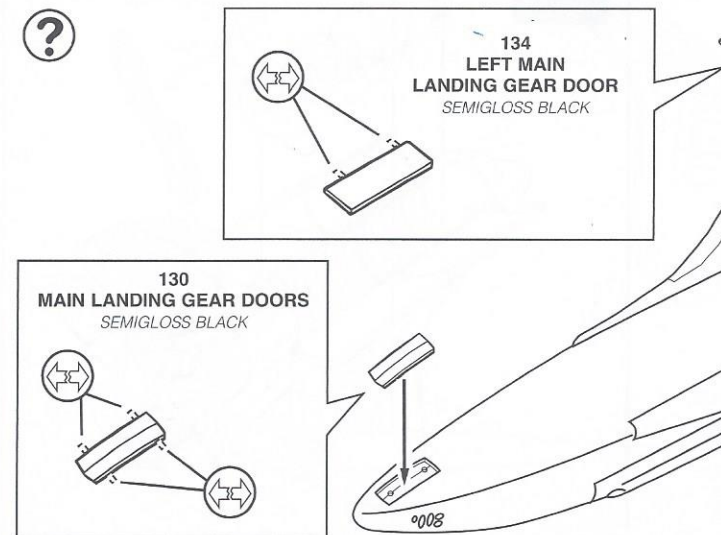
5

REAR LANDING GEAR ASSEMBLY

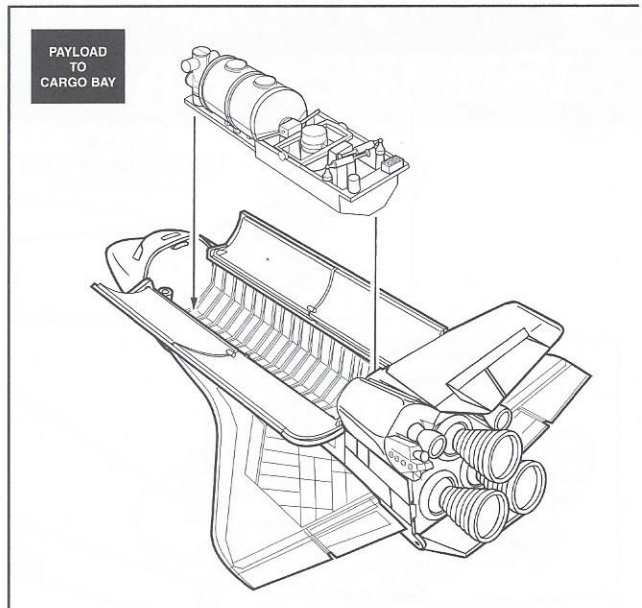
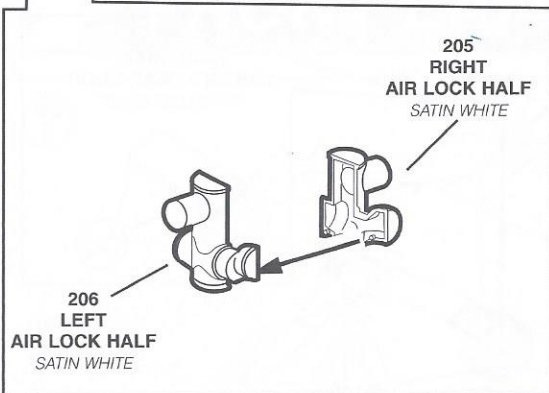
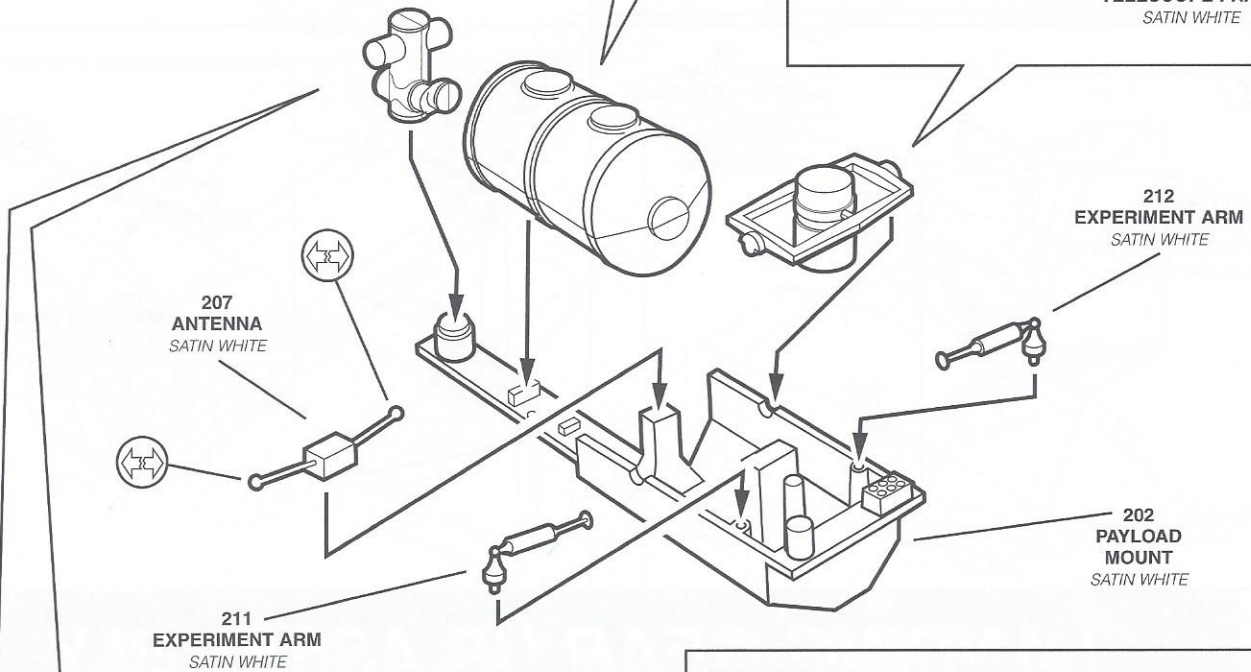
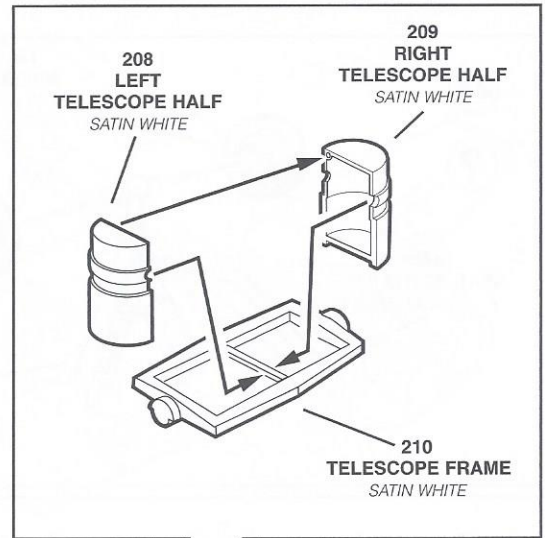
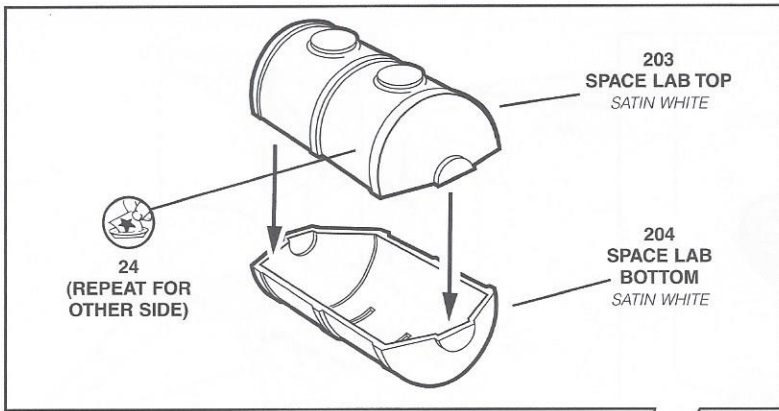


6

LANDING GEAR UP ASSEMBLY

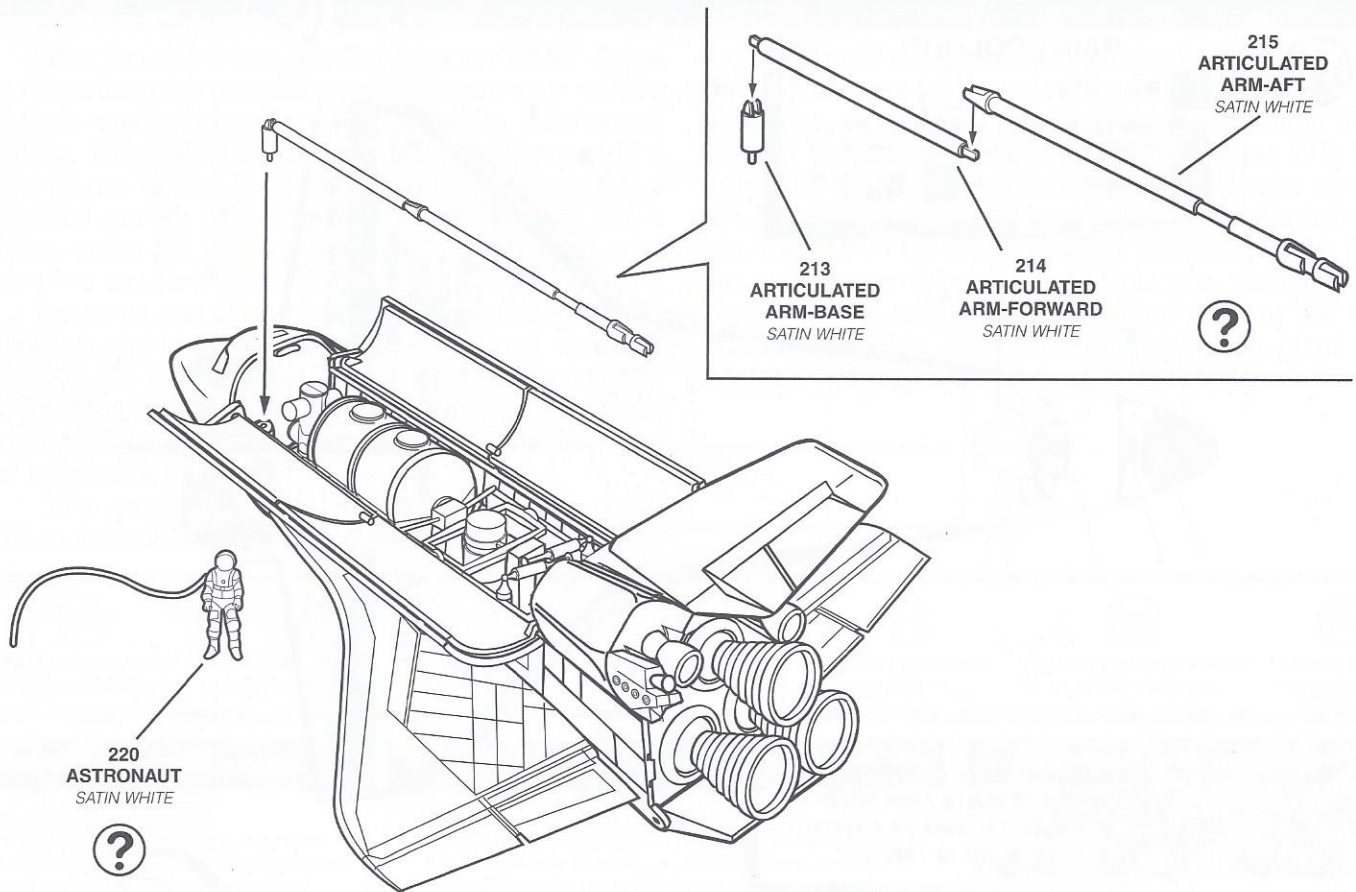


PAYLOAD ASSEMBLY



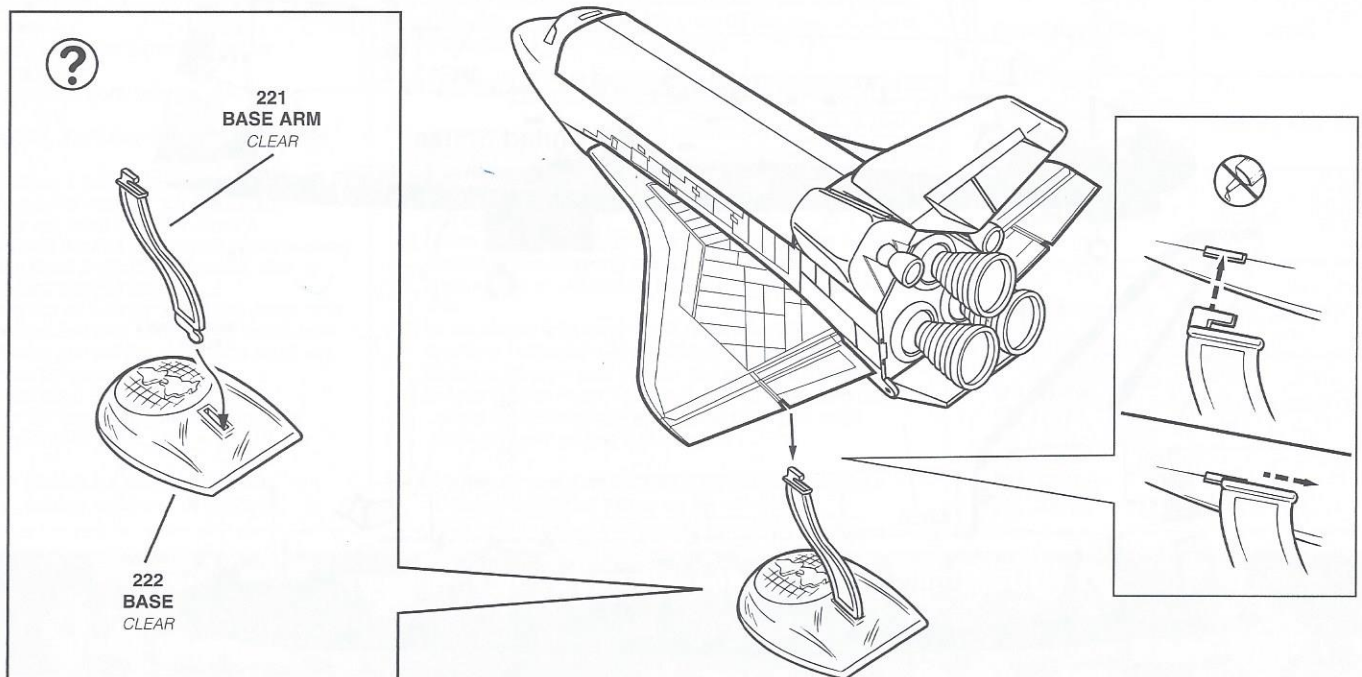
8

ARTICULATED ARM ASSEMBLY



9

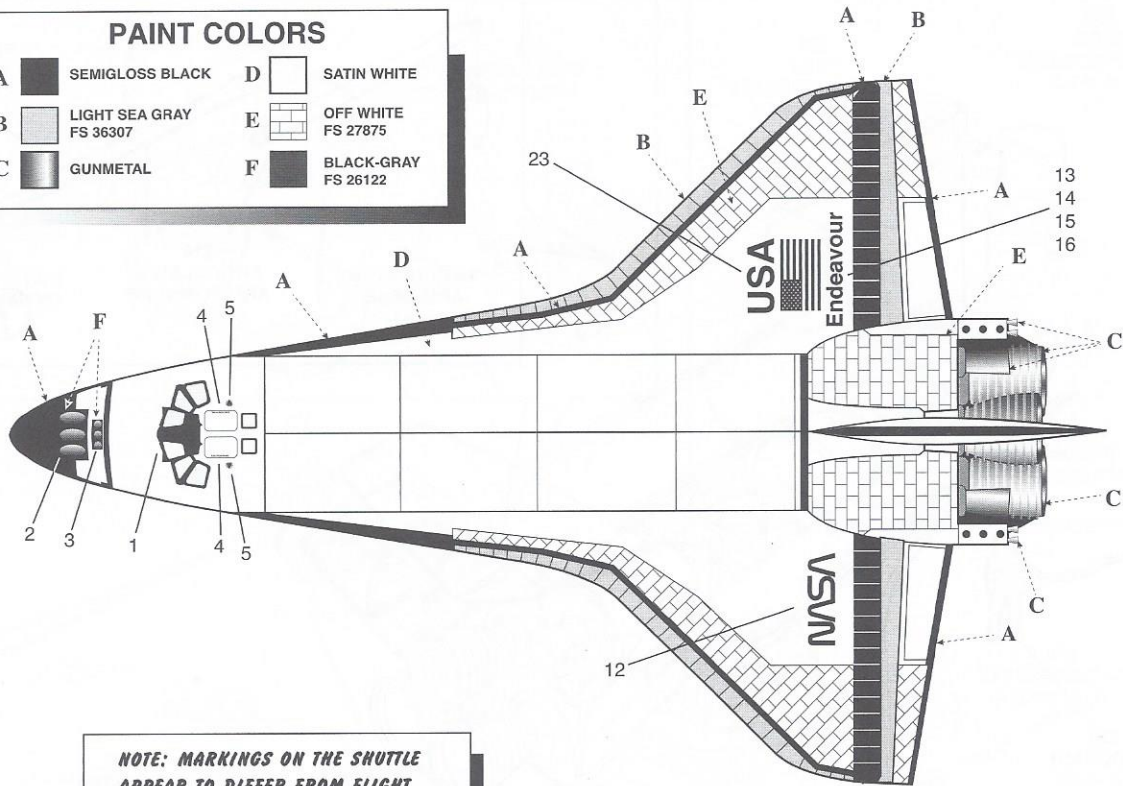
FINAL ASSEMBLY





PAINT COLORS

A	SEMIGLOSS BLACK	D	SATIN WHITE
B	LIGHT SEA GRAY FS 36307	E	OFF WHITE FS 27875
C	GUNMETAL	F	BLACK-GRAY FS 26122



NOTE: MARKINGS ON THE SHUTTLE APPEAR TO DIFFER FROM FLIGHT TO FLIGHT. FOR DATA ON A SPECIFIC MISSION, REFER TO PHOTOS.

