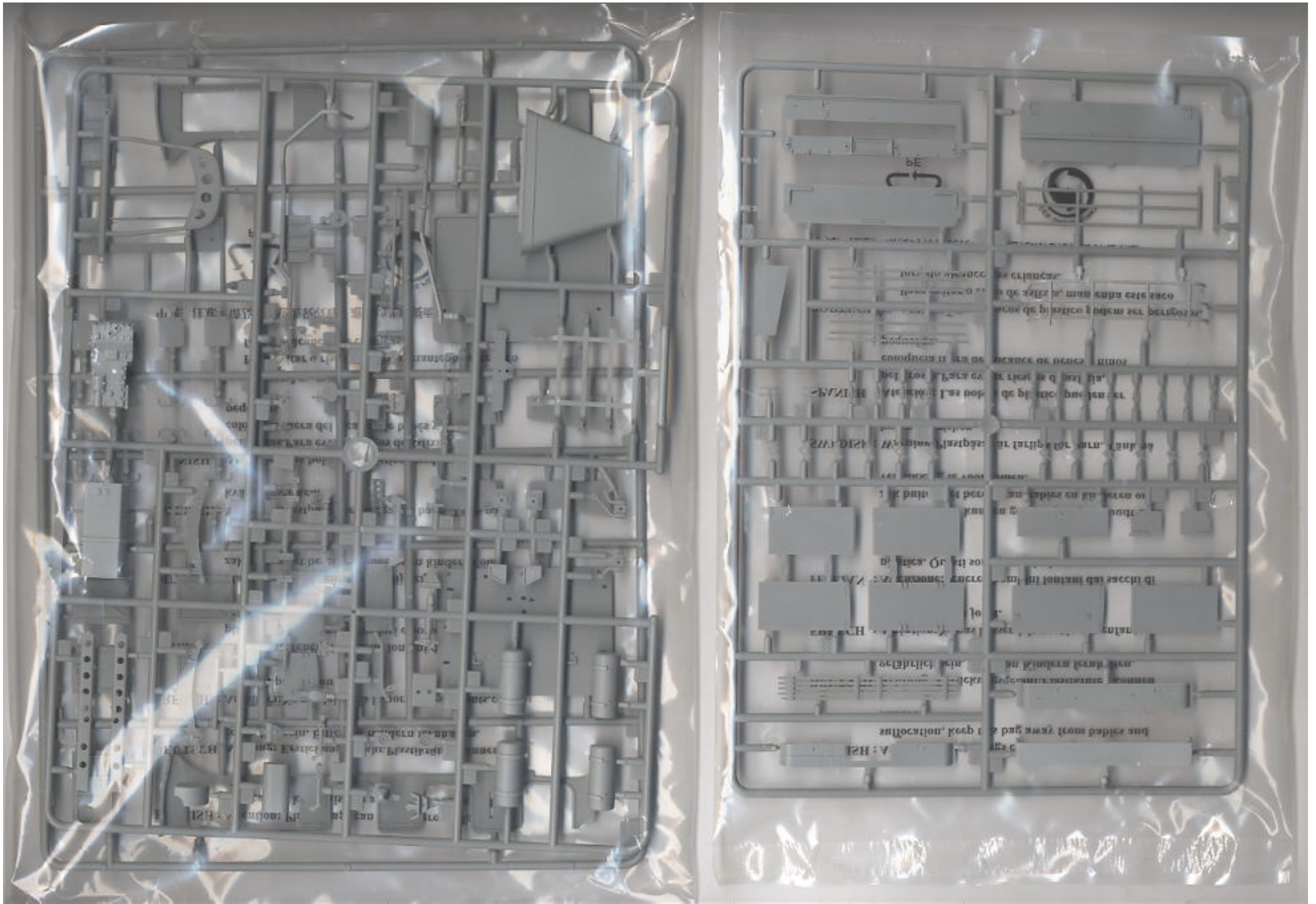
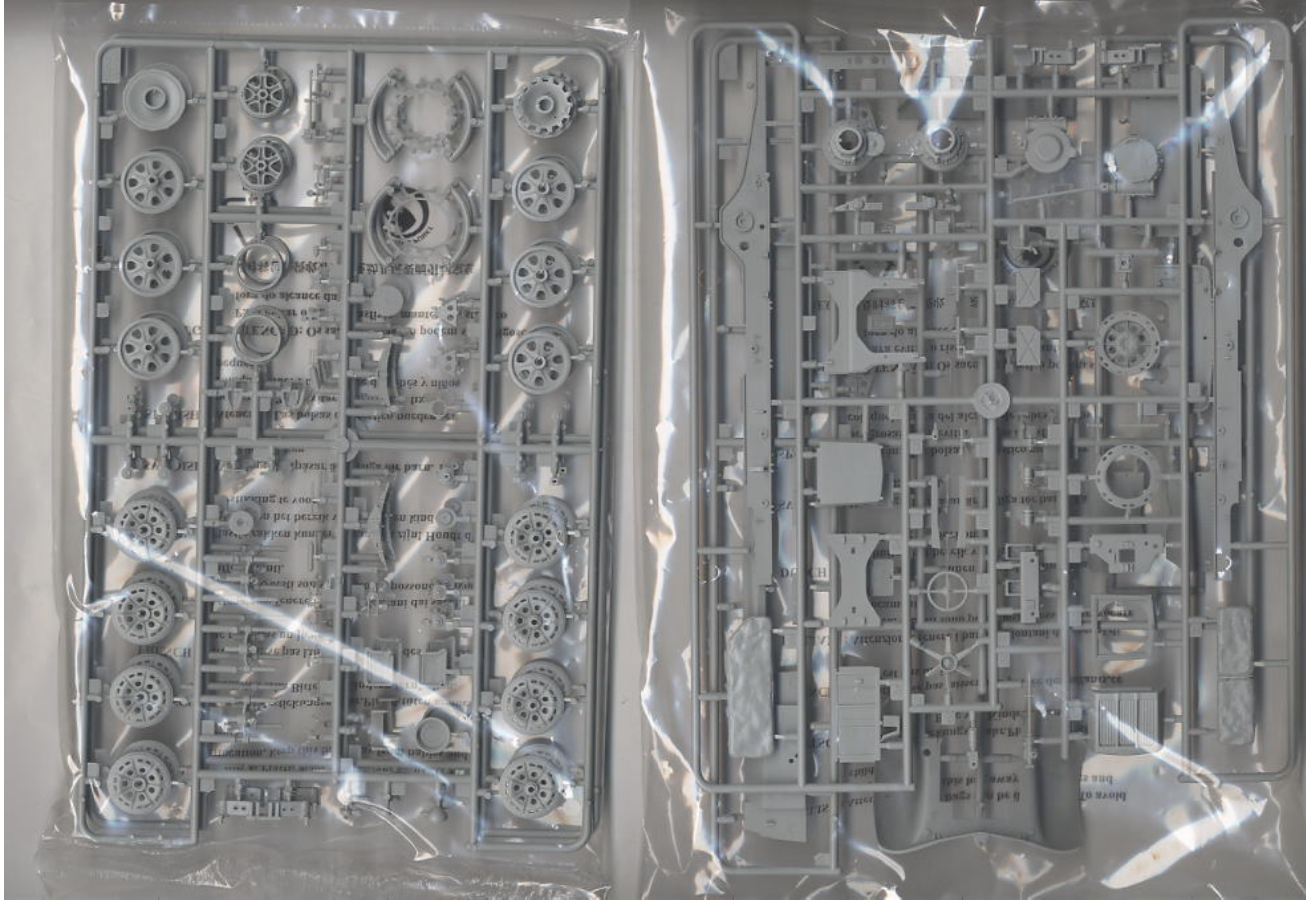


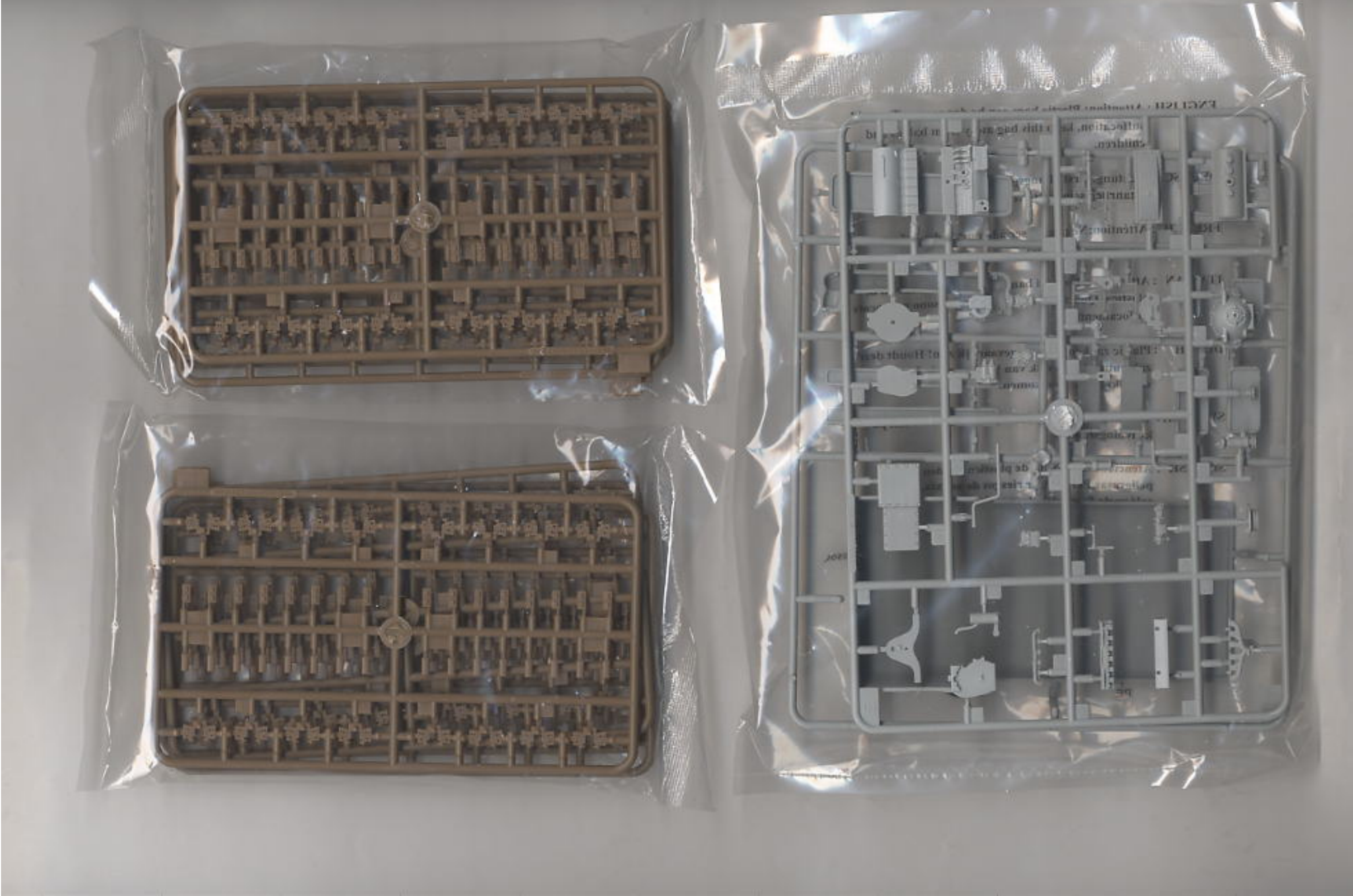
List All Images

Share

Tweet









Color	Mr.Hobby	Vallejo	Model Master	Tamiya	Humbrol
Black 黑色	H 2 2	861	1747	X1	21
Silver 银色	H 8 8	997	1546	X11	11
Steel(Metal Black) 黑铁色	H 18 28	864	1402	-	-
Red Brown 红棕色	H 47 41	984	-	XF64	160
Wood Red 木棕色	H 37 43	983	1701	-	186
Clear Red 透明红	H 90 47	934	-	X27	-

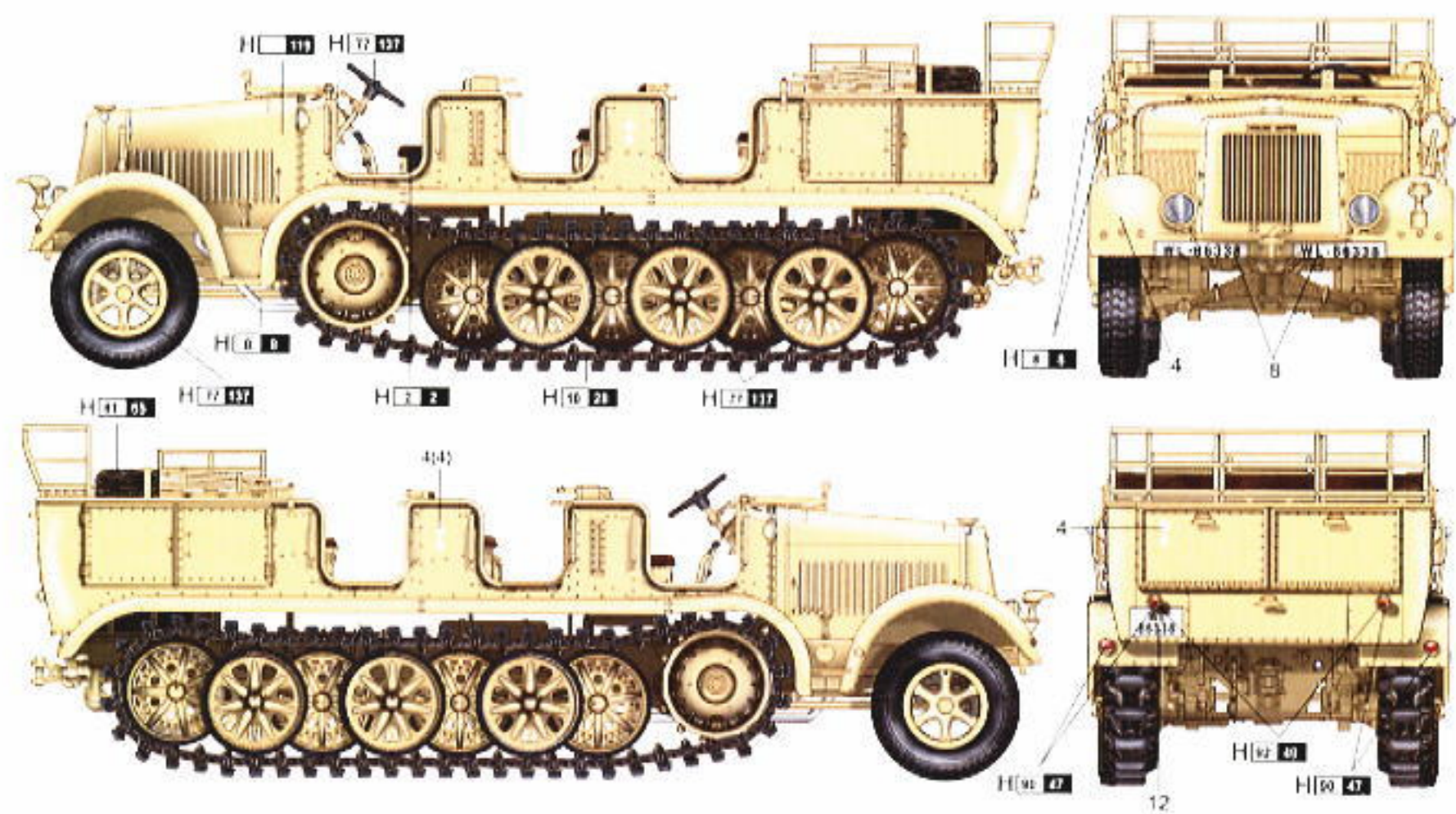
Color	Mr.Hobby	Vallejo	Model Master	Tamiya	Humbrol
Clear Orange 透明橘	H 92 49	935	-	X26	-
Khaki 卡其色	H 81 55	998	-	XF49	26
Khaki Green 卡其绿色	H 80 54	938	-	X23	-
RLM79 Sand Yellow 沙黄色	H 119	843	1735	XF59	63
Tire Black 胎黑色	H 77 137	-	-	-	-
		-			

涂装同标贴指示
Painting & Marking guide

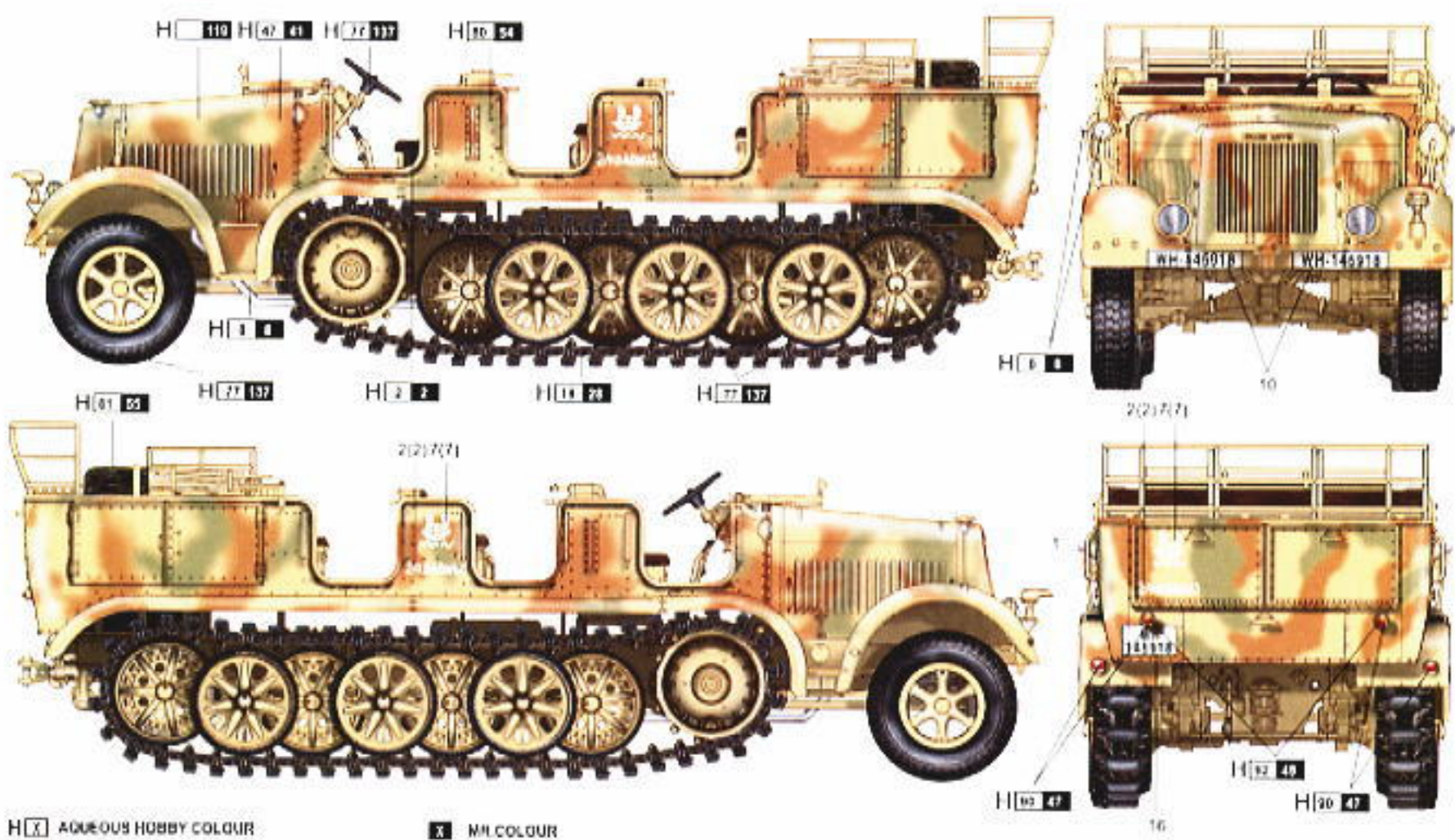
©

Color	Mr.Hobby	Vallejo	Model Master	Tamiya	Humbrol
Black 黑色	H 2 2	861	1747	X1	21
Silver 银色	H 8 8	997	1546	X11	11
Steel(Metal Black) 黑铁色	H 18 28	864	1402	—	—
Red Brown 红棕色	H 47 41	884	—	XF84	160
Wood Red 木棕色	H 37 43	983	1701	—	186
Clear Red 透明红	H 90 47	934	—	X27	—

Color	Mr.Hobby	Vallejo	Model Master	Tamiya	Humbrol
Clear Orange 透明橘	H 92 40	935	—	X26	—
Khaki 卡其色	H 81 55	998	—	XF49	26
Khaki Green 卡其绿色	H 80 64	930	—	X23	—
HLM/79 LaserYellow 沙黄色	H 119 119	843	1735	XF59	63
Tire Black 胎黑色	H 77 137	—	—	—	—



①



H 119 AQUEOUS HOBBY COLOUR

X MR COLOUR

Color	Mr.Hobby	Vallejo	Model Master	Tamiya	Humbrol
Black 黑色	H 2 2	861	1747	X1	21
Silver 银色	H 8 8	997	1546	X11	11
Steel(Metal Black) 黑铁色	H 18 28	864	1402	—	—
Field Gray 原野灰	H 32 40	830	—	XF22	111
Wood Red 木棕色	H 37 43	983	1701	—	186

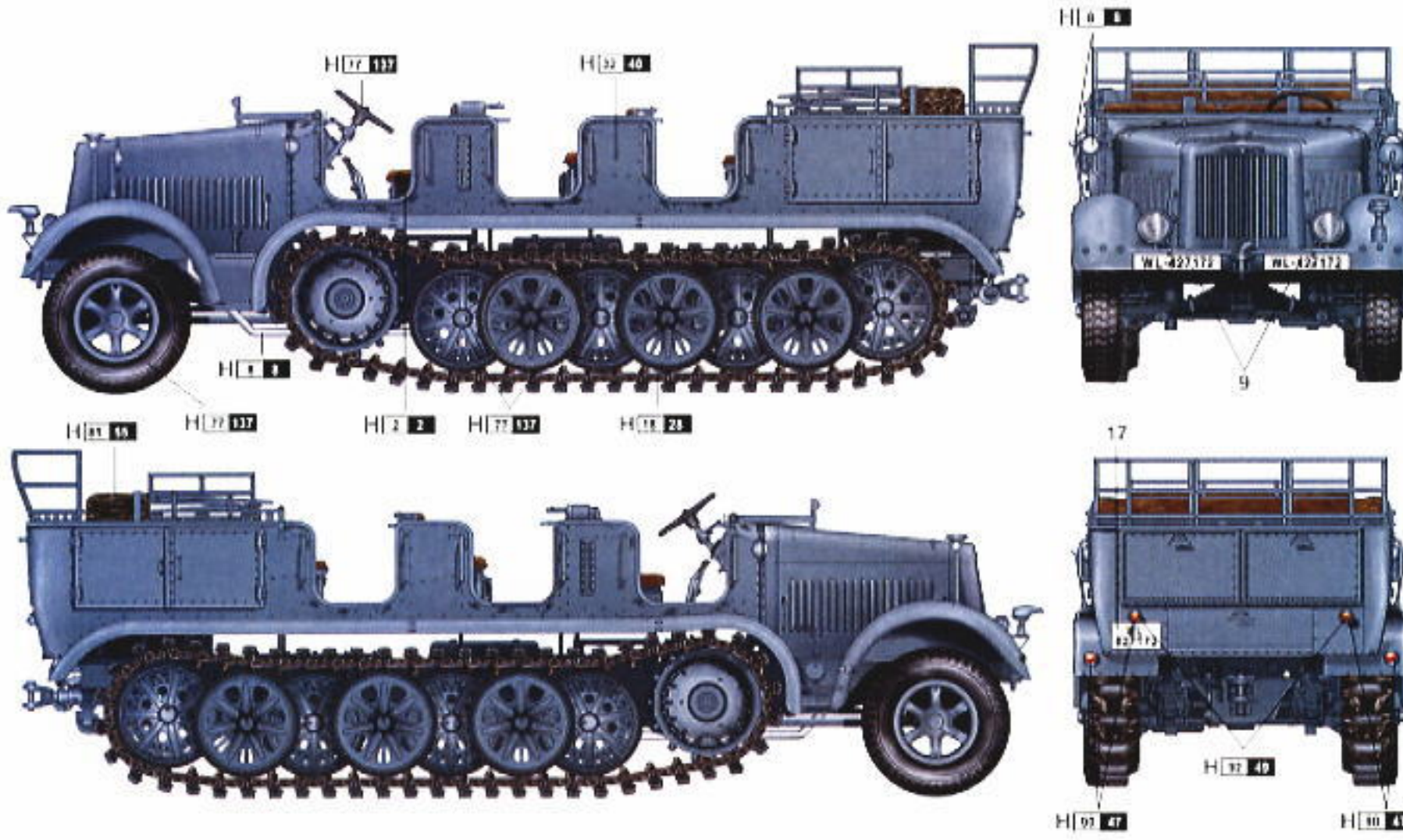
Color	Mr.Hobby	Vallejo	Model Master	Tamiya	Humbrol
Clear Red 透明红	H 90 47	934	—	X27	—
Clear Orange 透明橘	H 92 49	935	—	X26	—
Khaki 卡其色	H 81 55	998	—	XF49	26
Tire Black 胎黑色	H 77 137	—	—	—	—

涂装同标贴指示
Painting & Marking guide

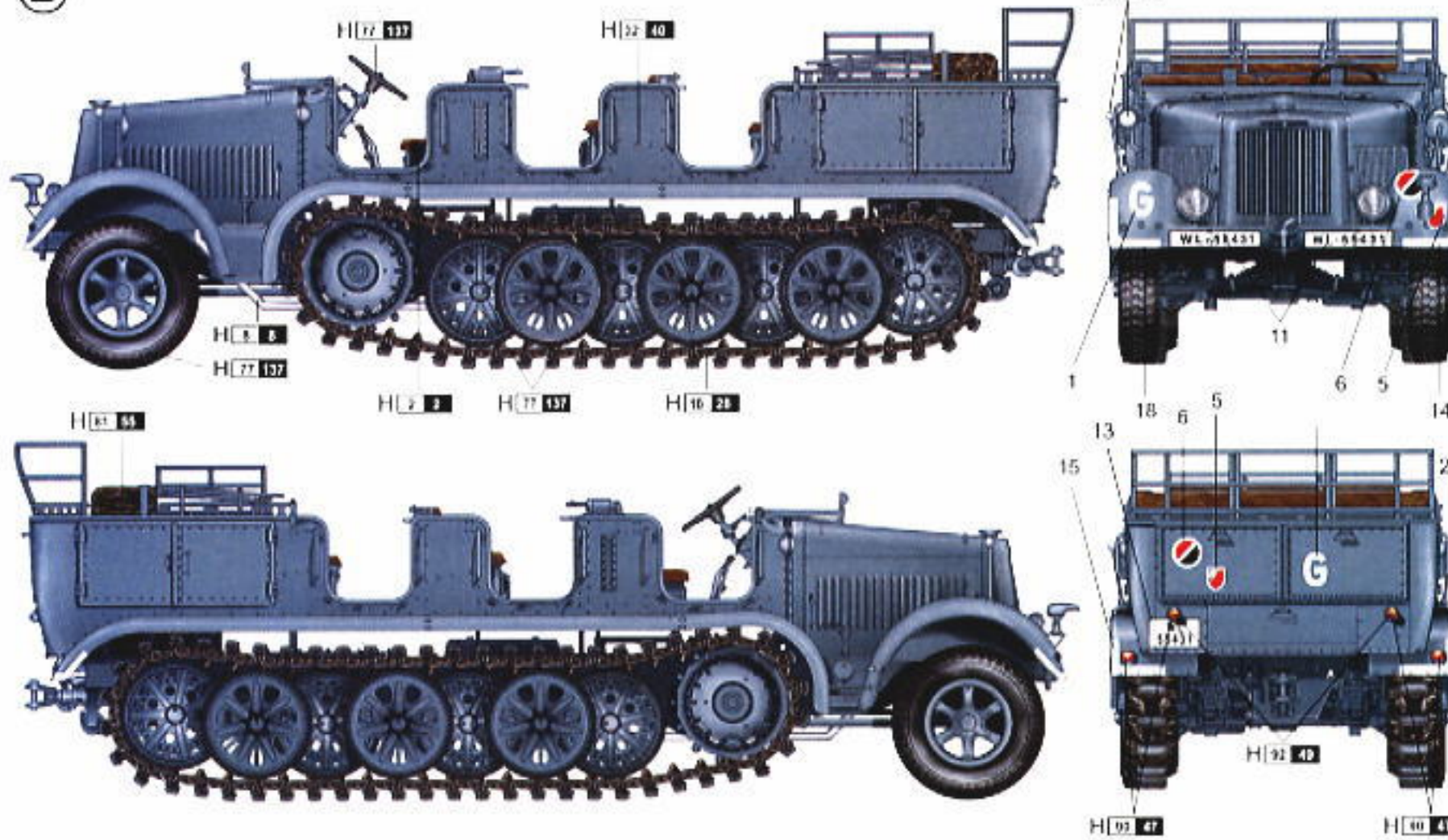
Color	Mr Hobby	Vallejo	Model Master	Tamiya	Humbrol
Black 黑色	H[2] 2	961	1747	X1	21
Silver 银色	H[8] 8	997	1548	X11	51
Steel/Metal Black 黑铁色	H[15] 28	864	1402	-	-
Field Gray 田野灰	H[32] 40	836	-	XF22	111
Wood Red 木红色	H[37] 43	983	1781	-	169

Color	Mr Hobby	Vallejo	Model Master	Tamiya	Humbrol
Clear Red 透明红	H[50] 47	934	-	X27	-
Clear Orange 透明橘	H[92] 49	935	-	X28	-
Khaki 卡其色	H[51] 55	998	-	XF49	28
Tire Black 胎黑色	H[77] 137	-	-	-	-

(A)



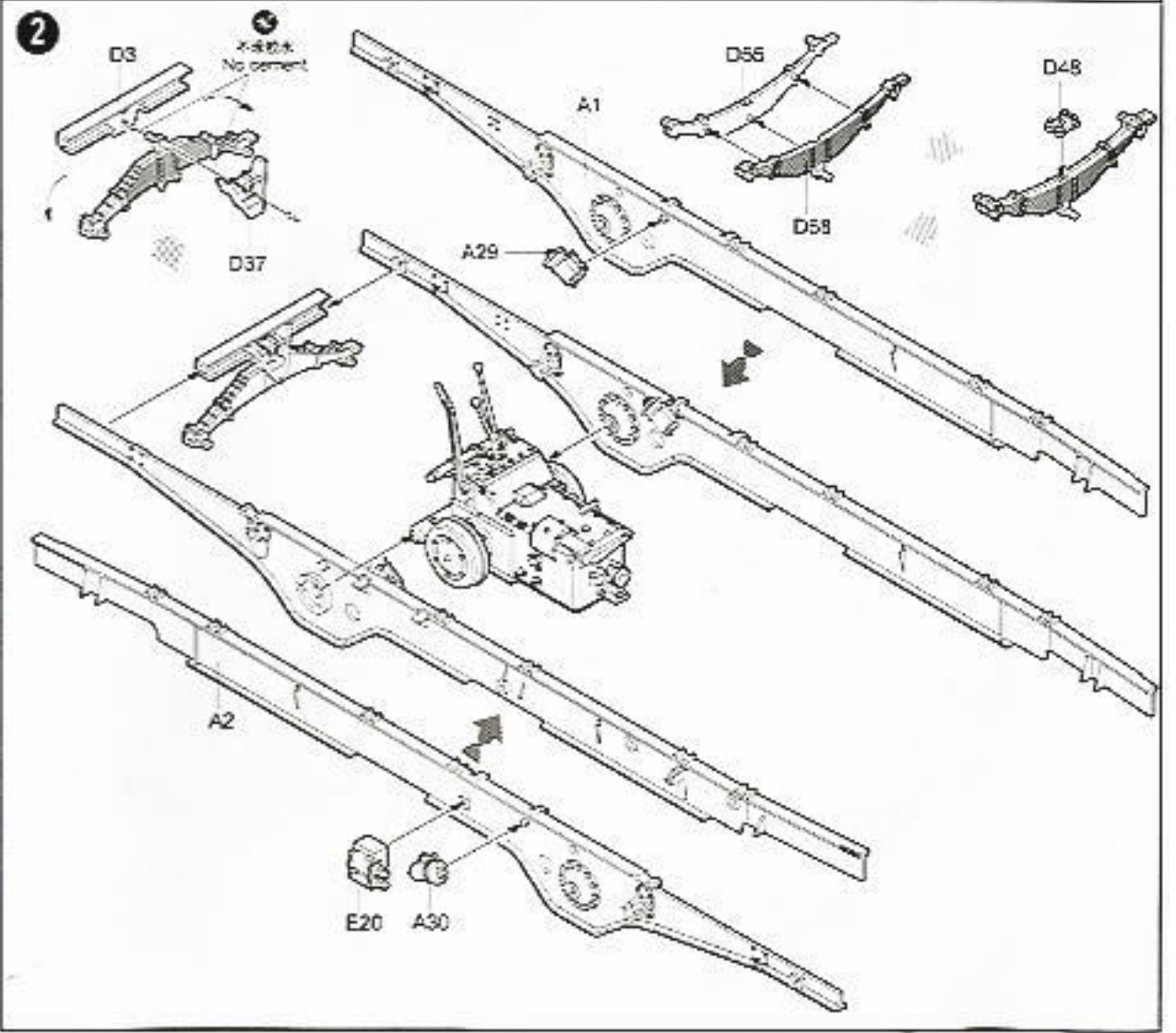
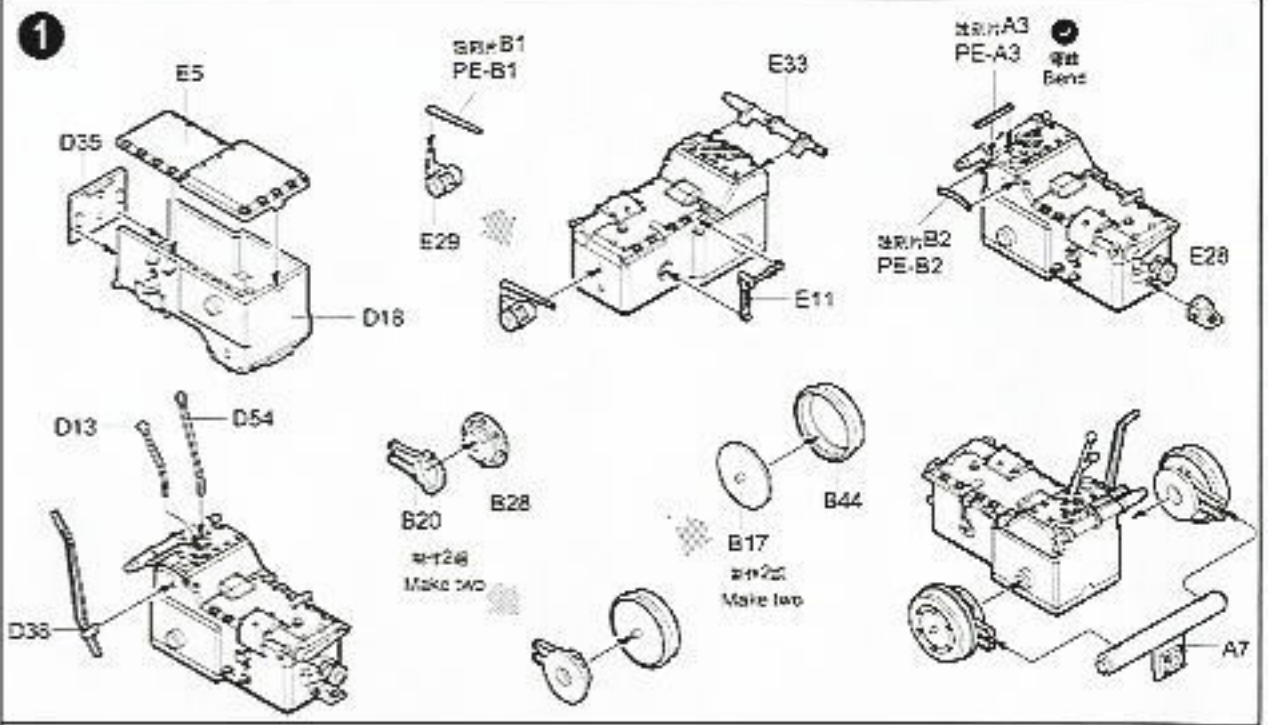
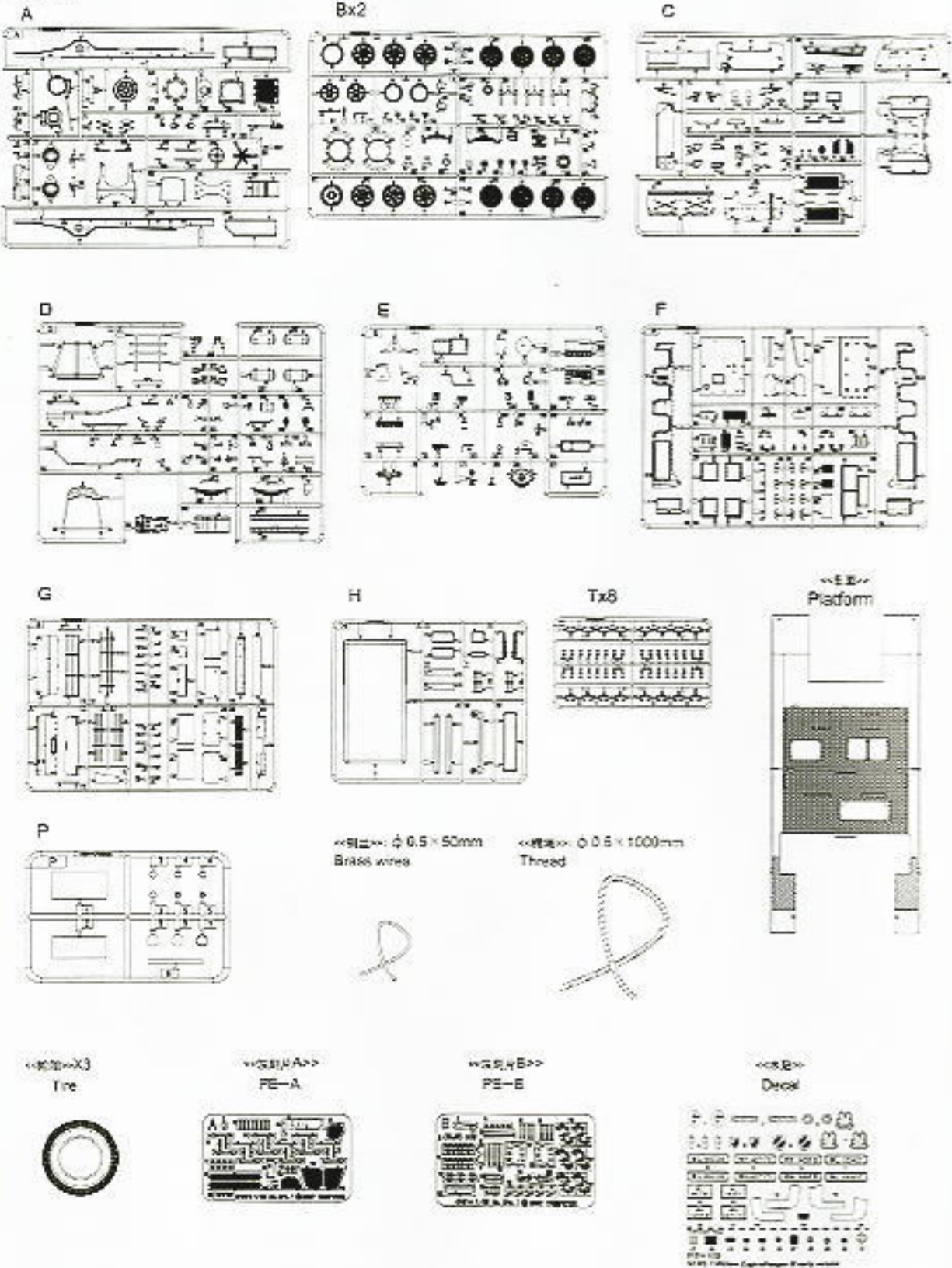
(B)



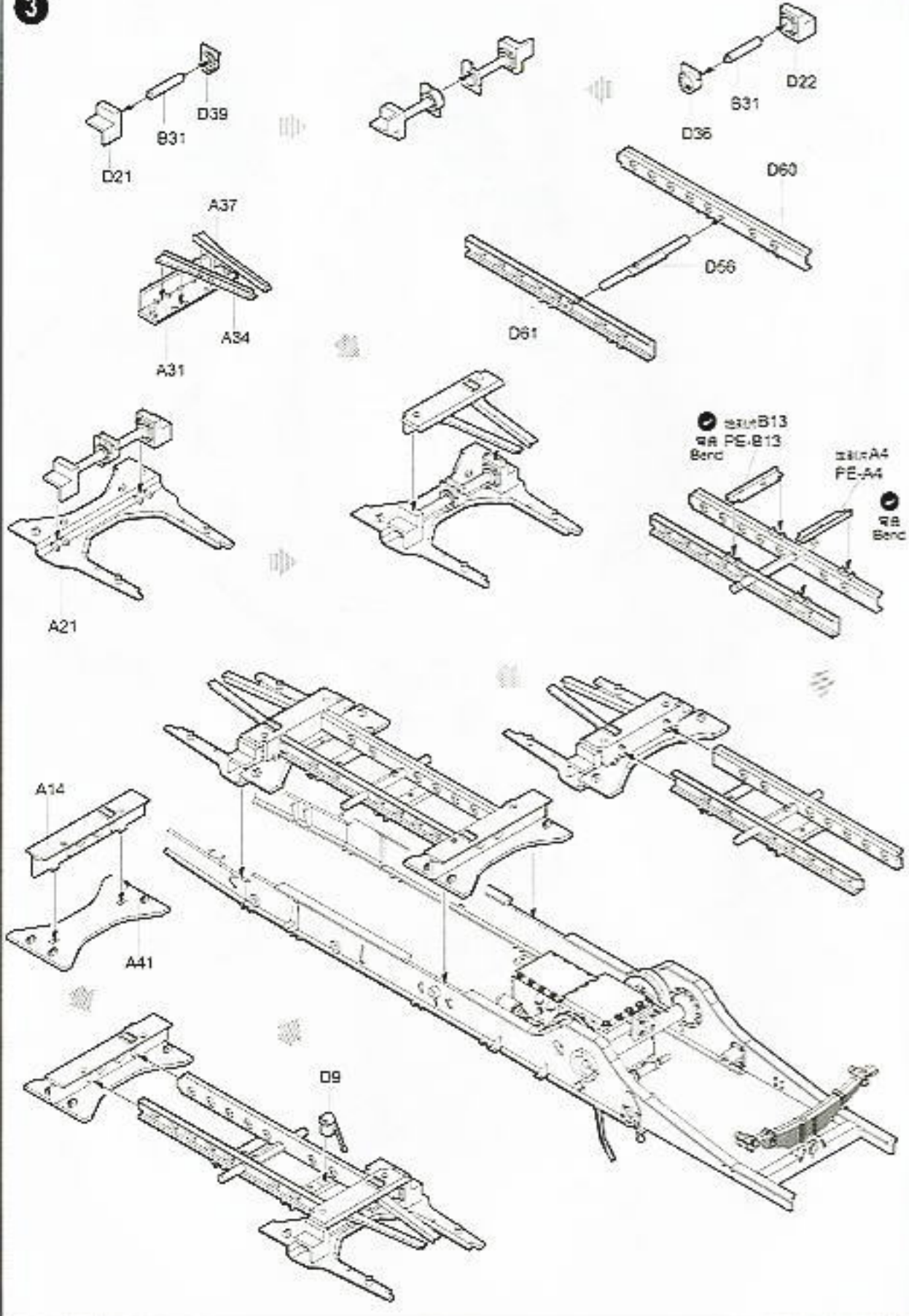
H[X] AQUEOUS HOBBY COLOUR

[1] MR COLOUR

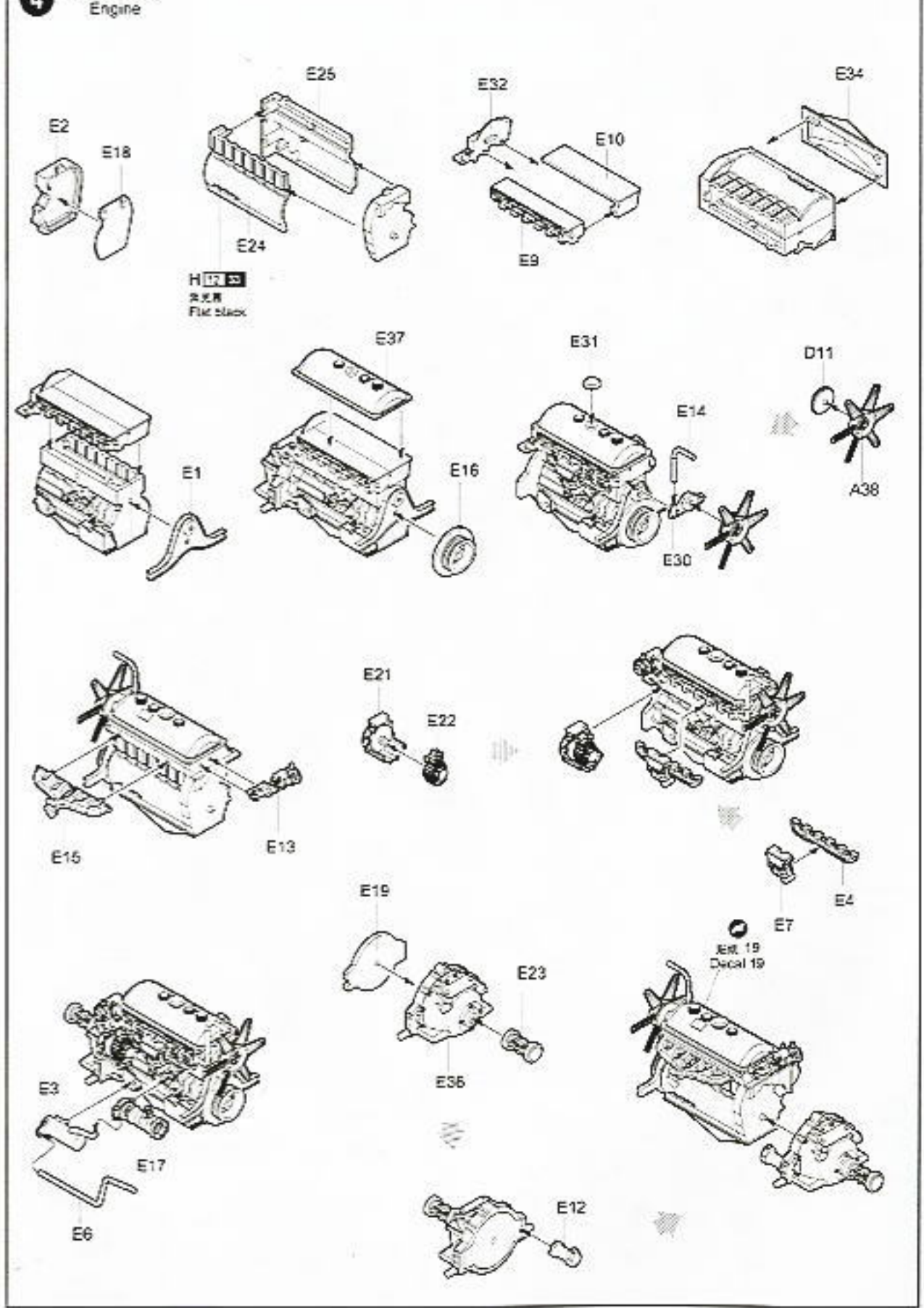
部品图
Parts

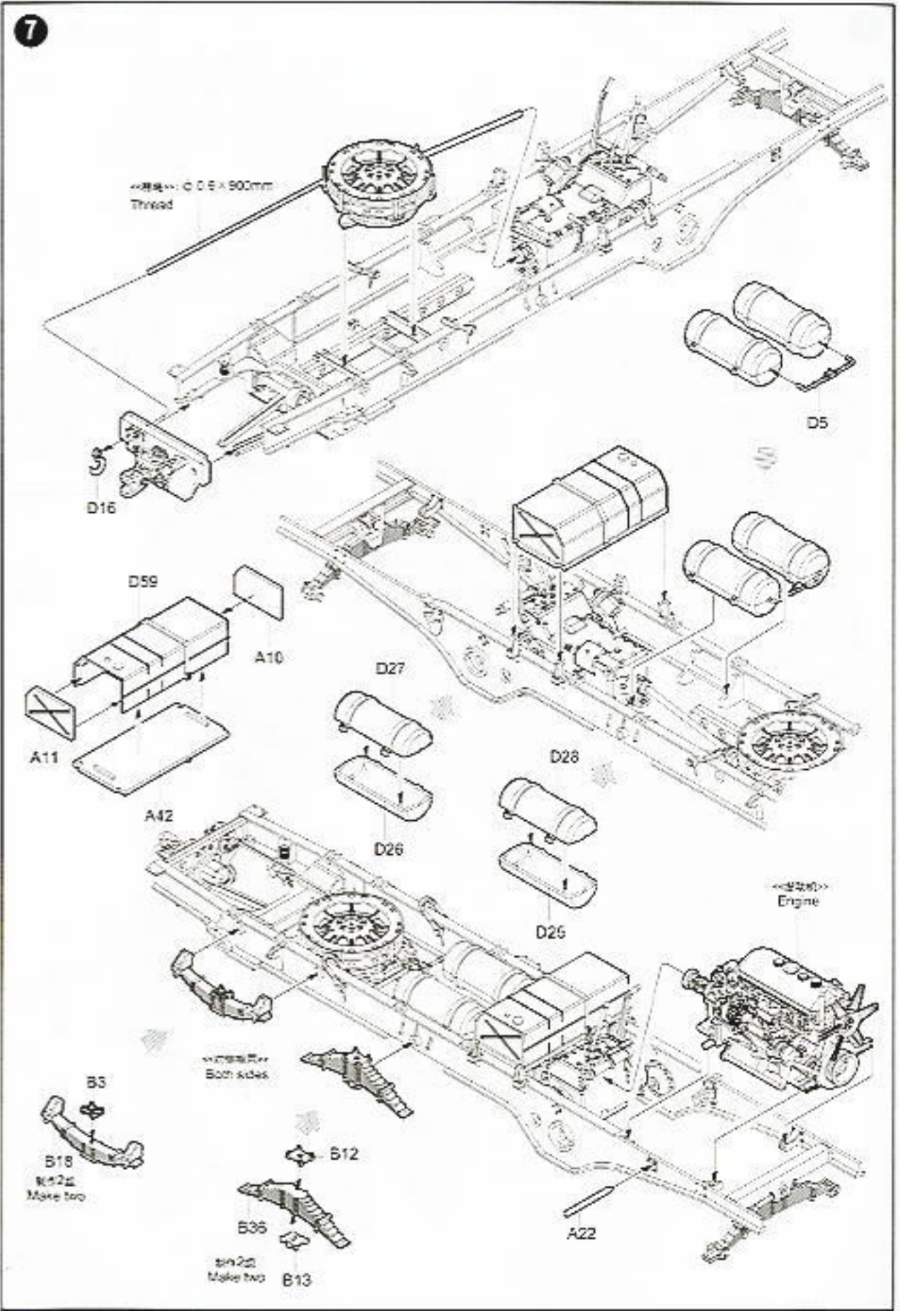
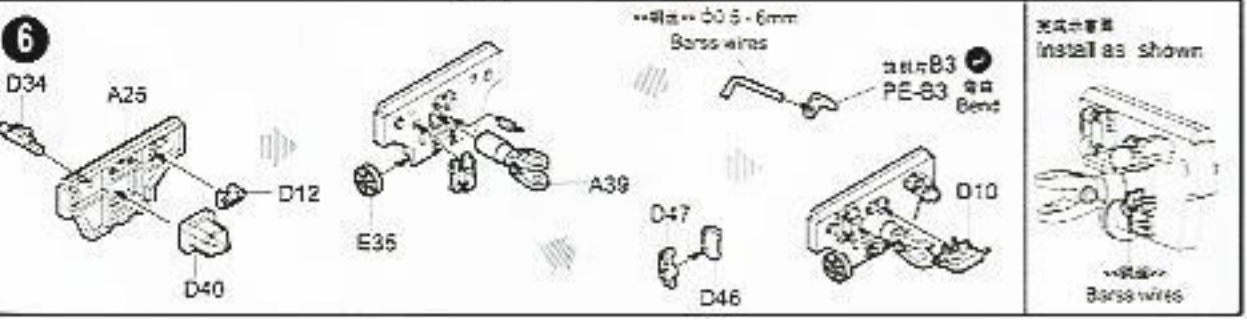
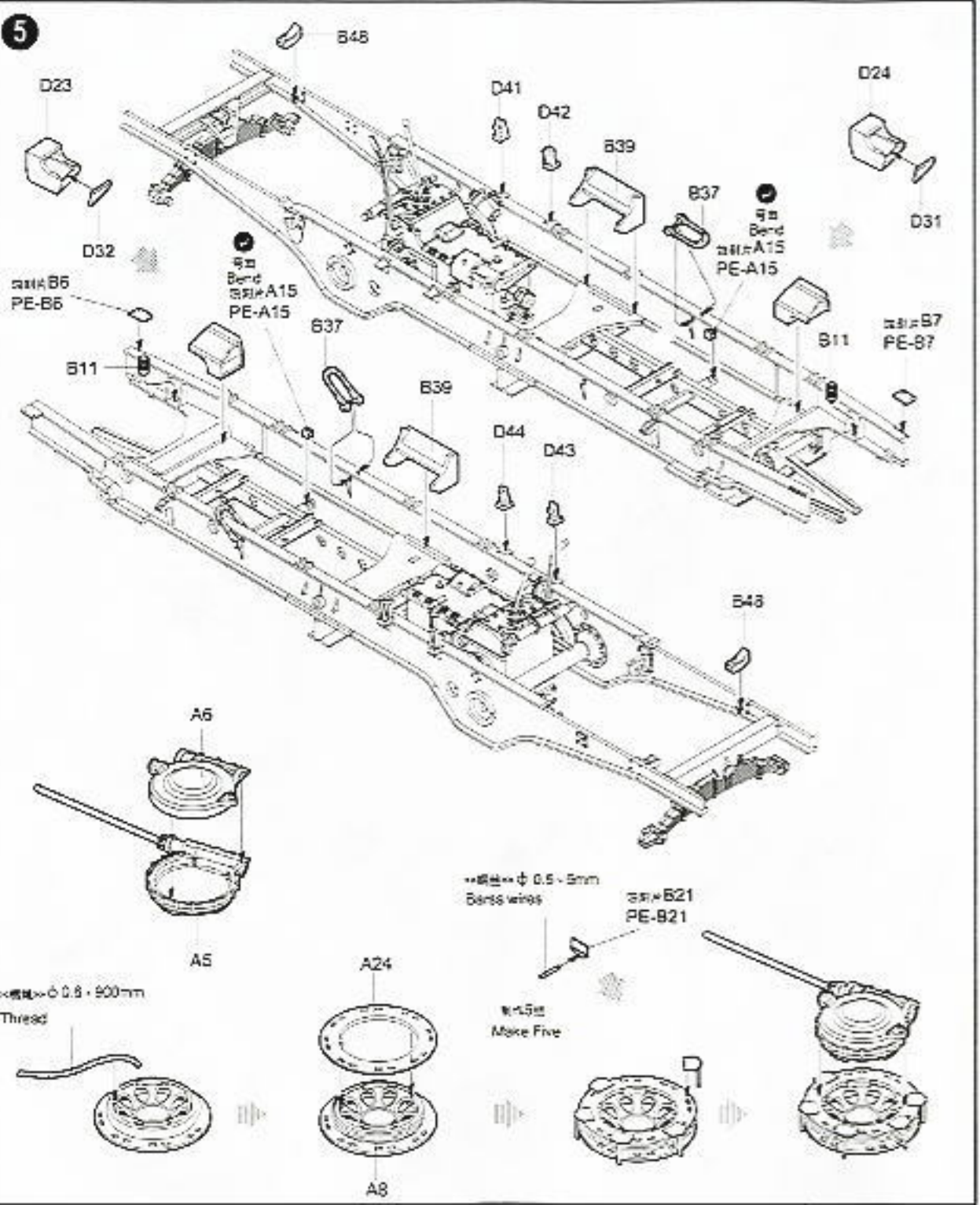


3

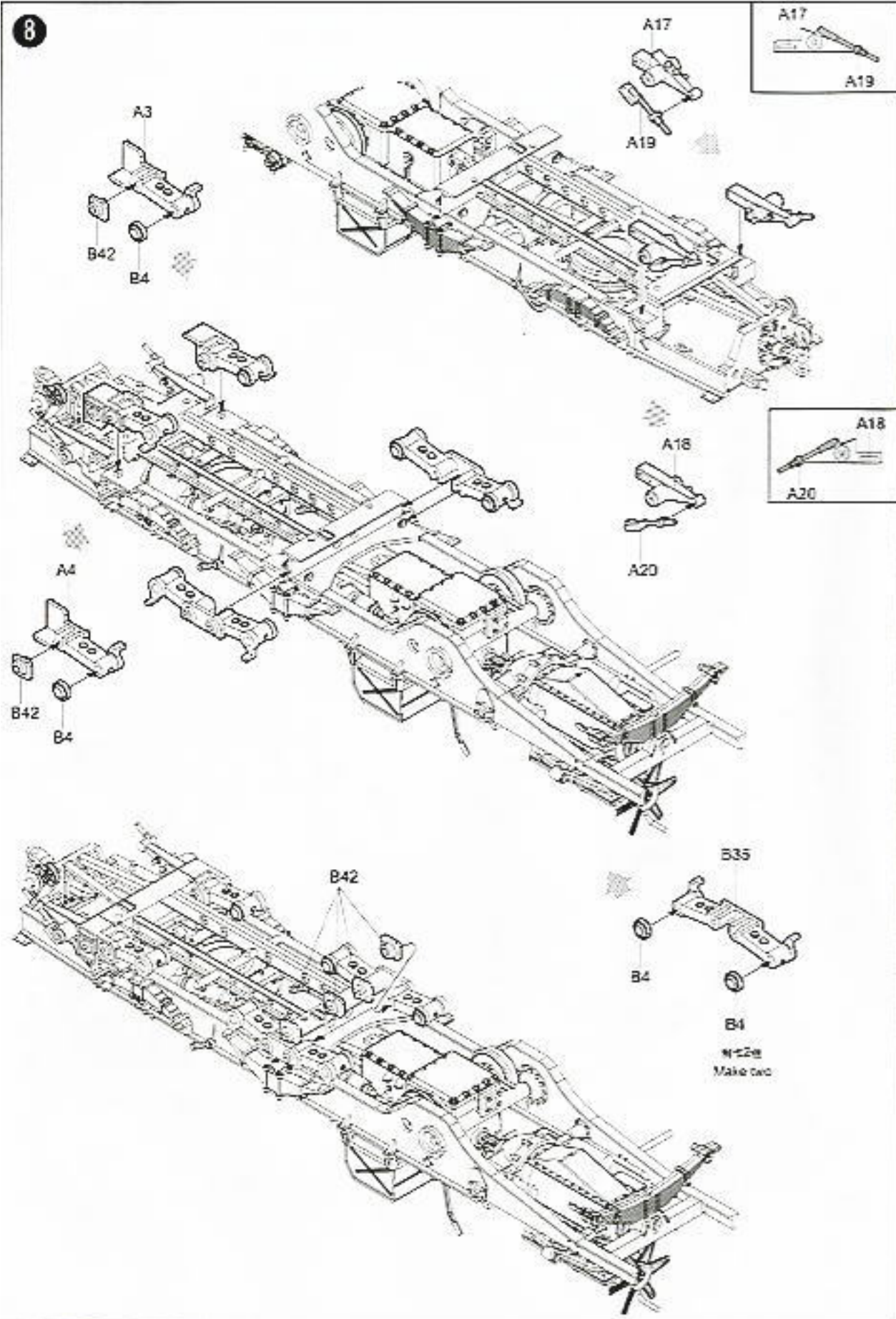


4

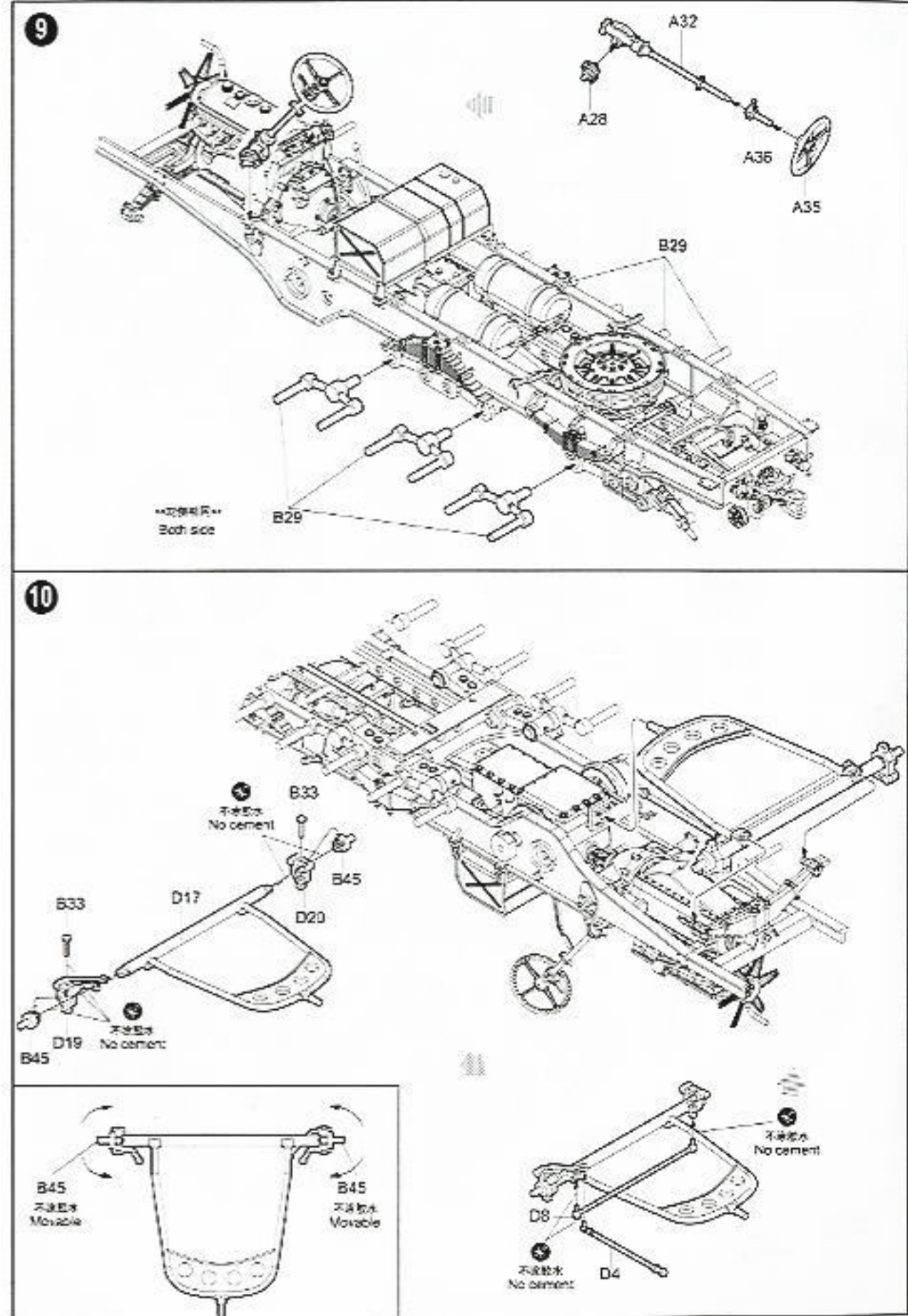




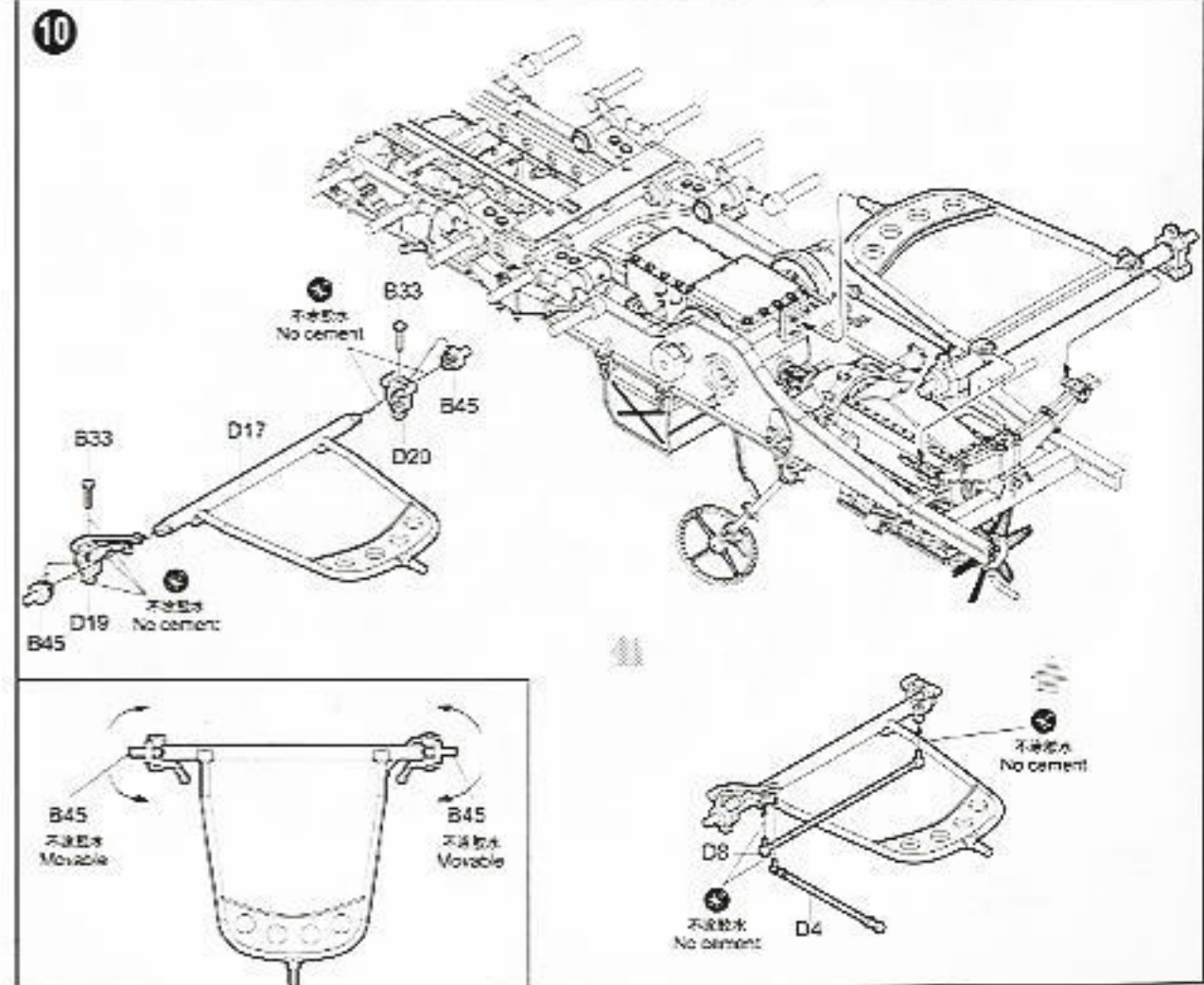
8

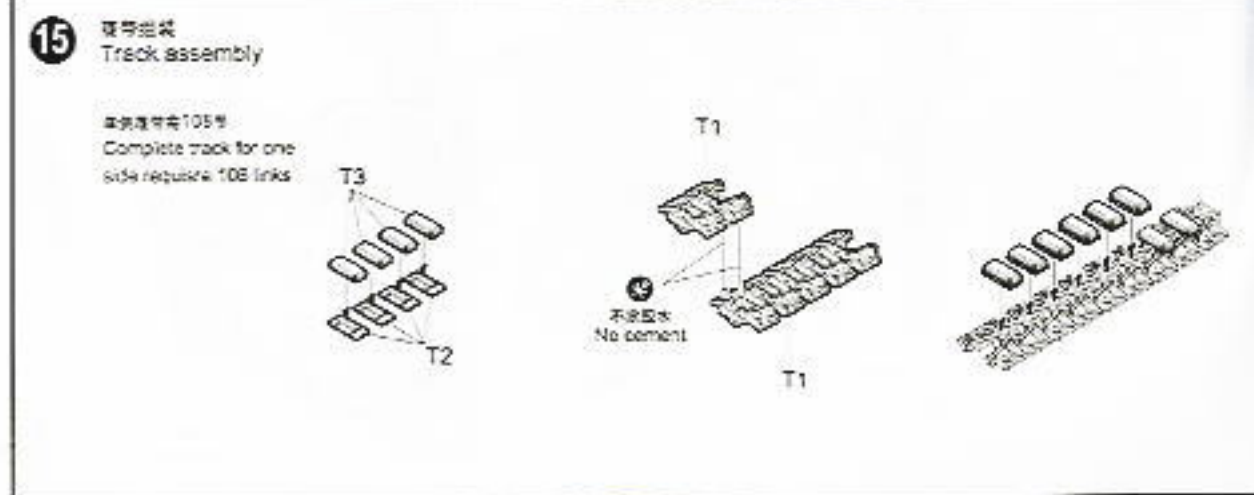
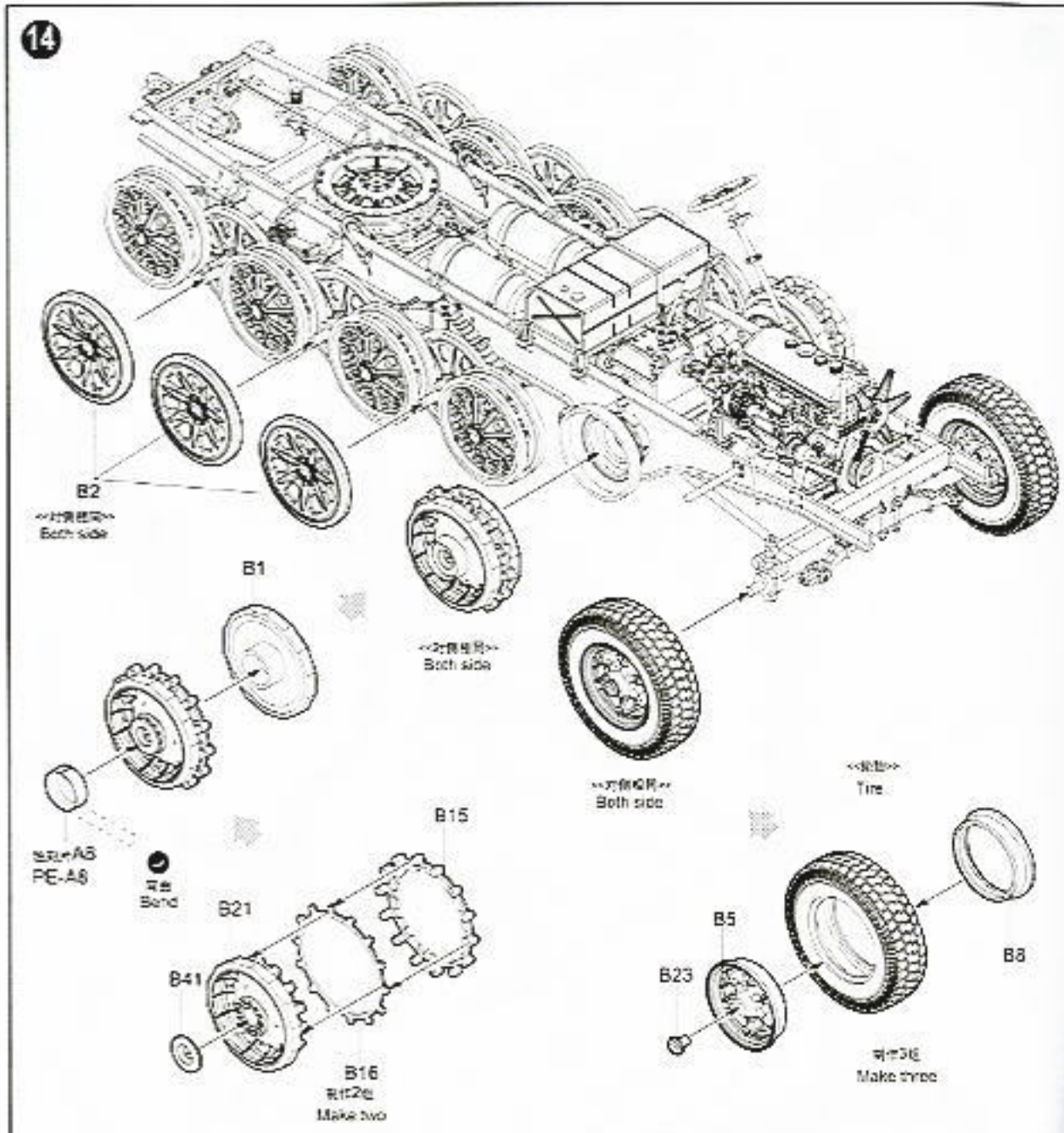
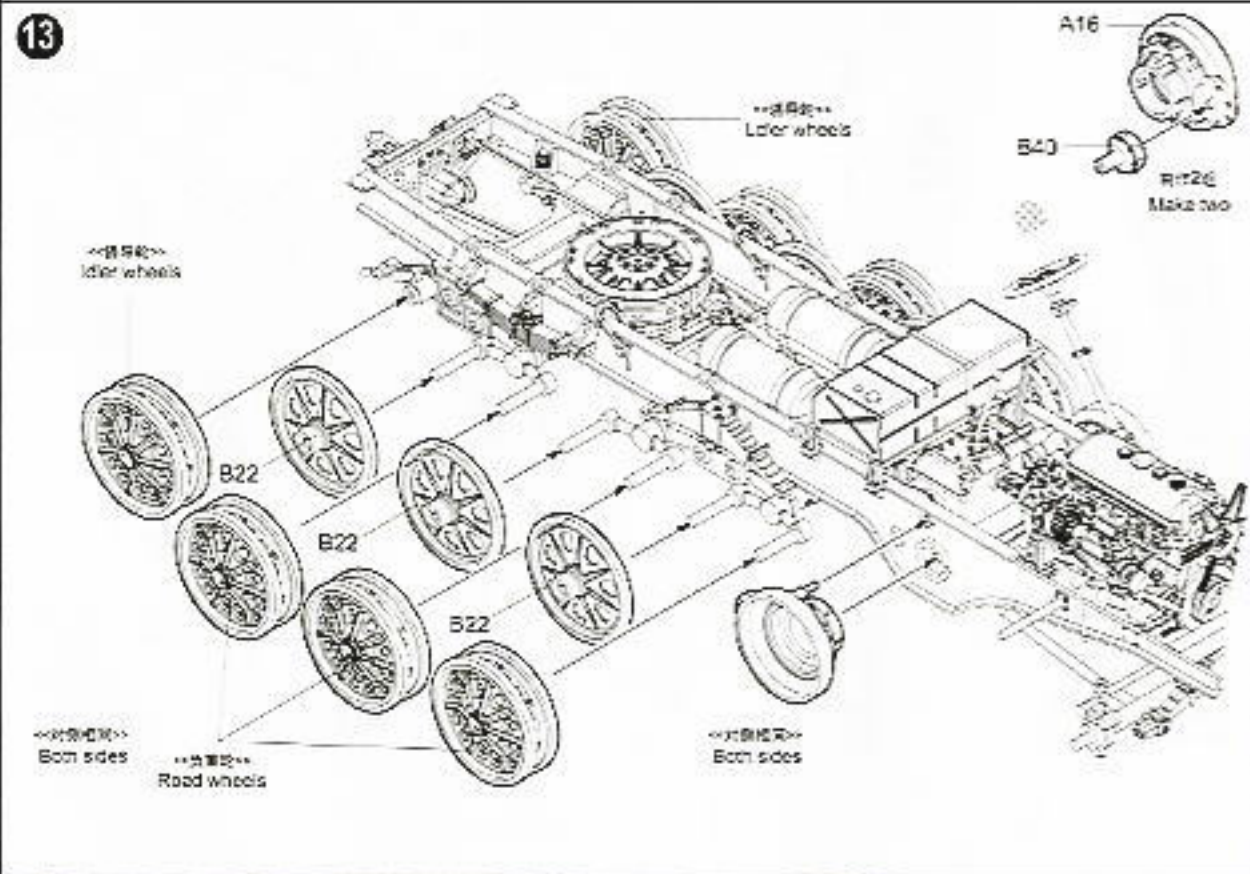
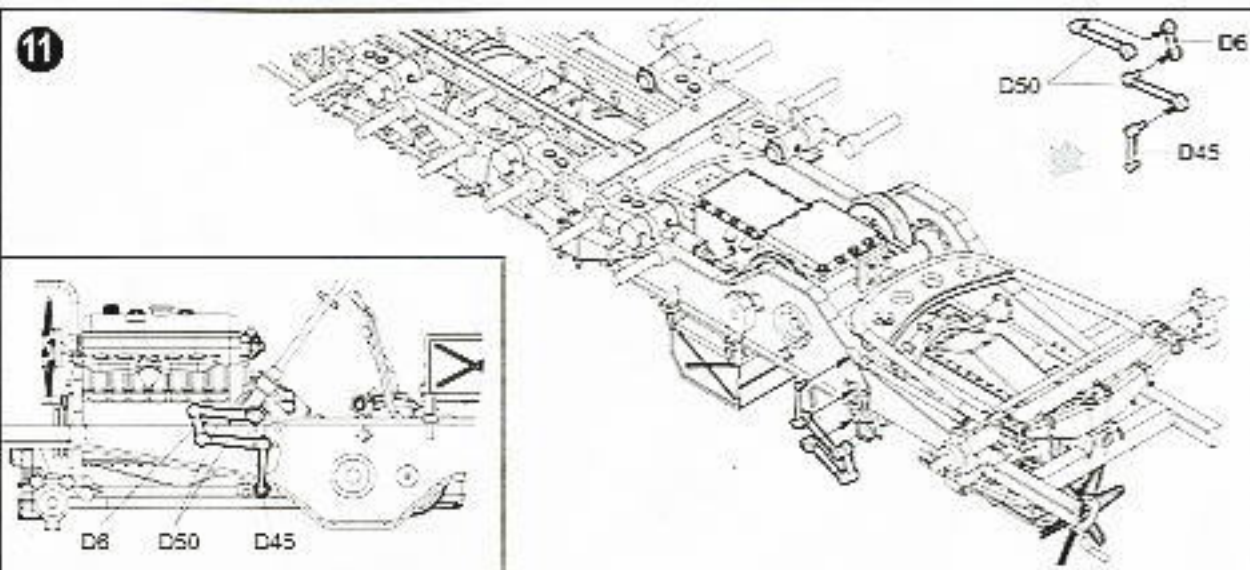


9

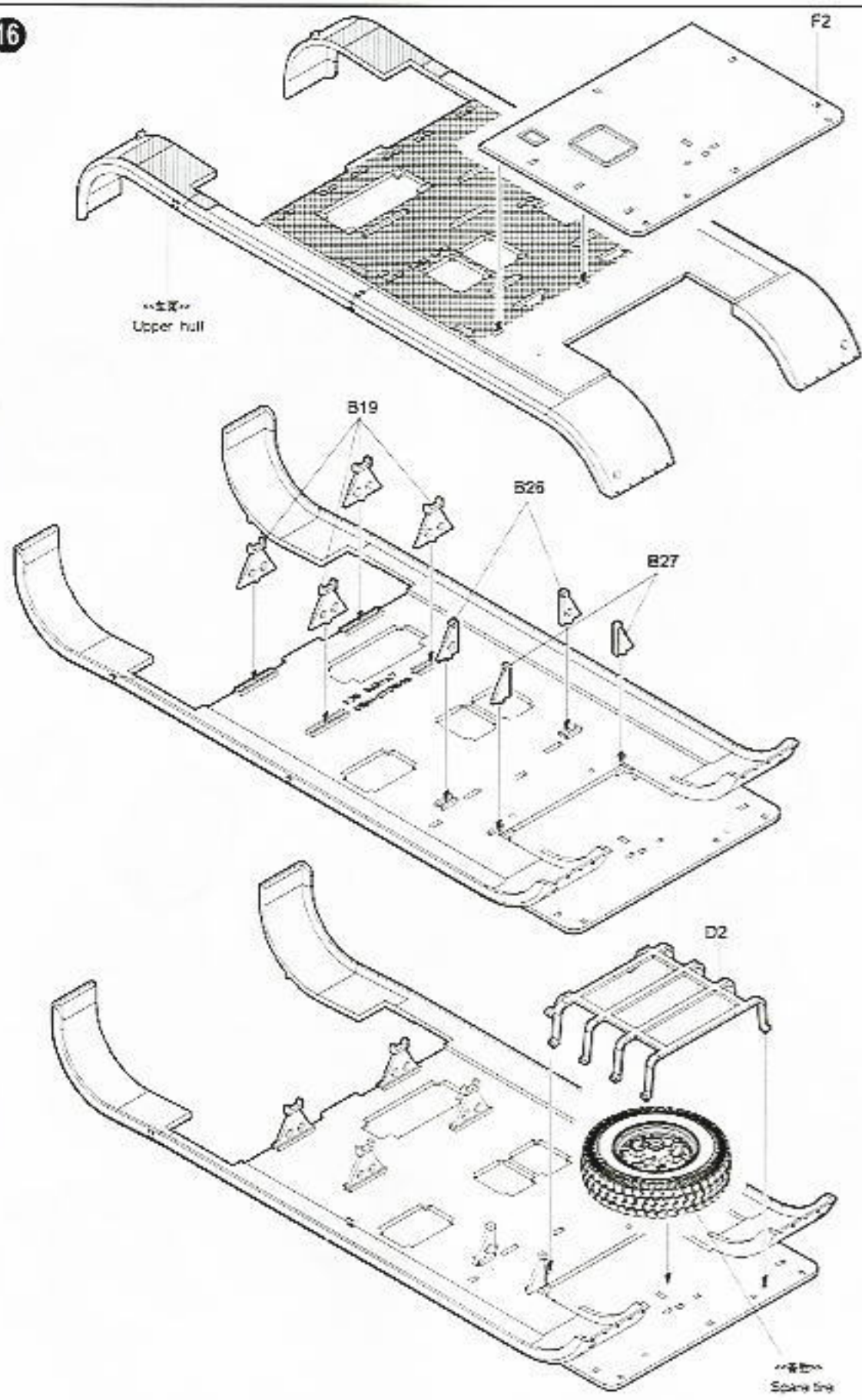


10

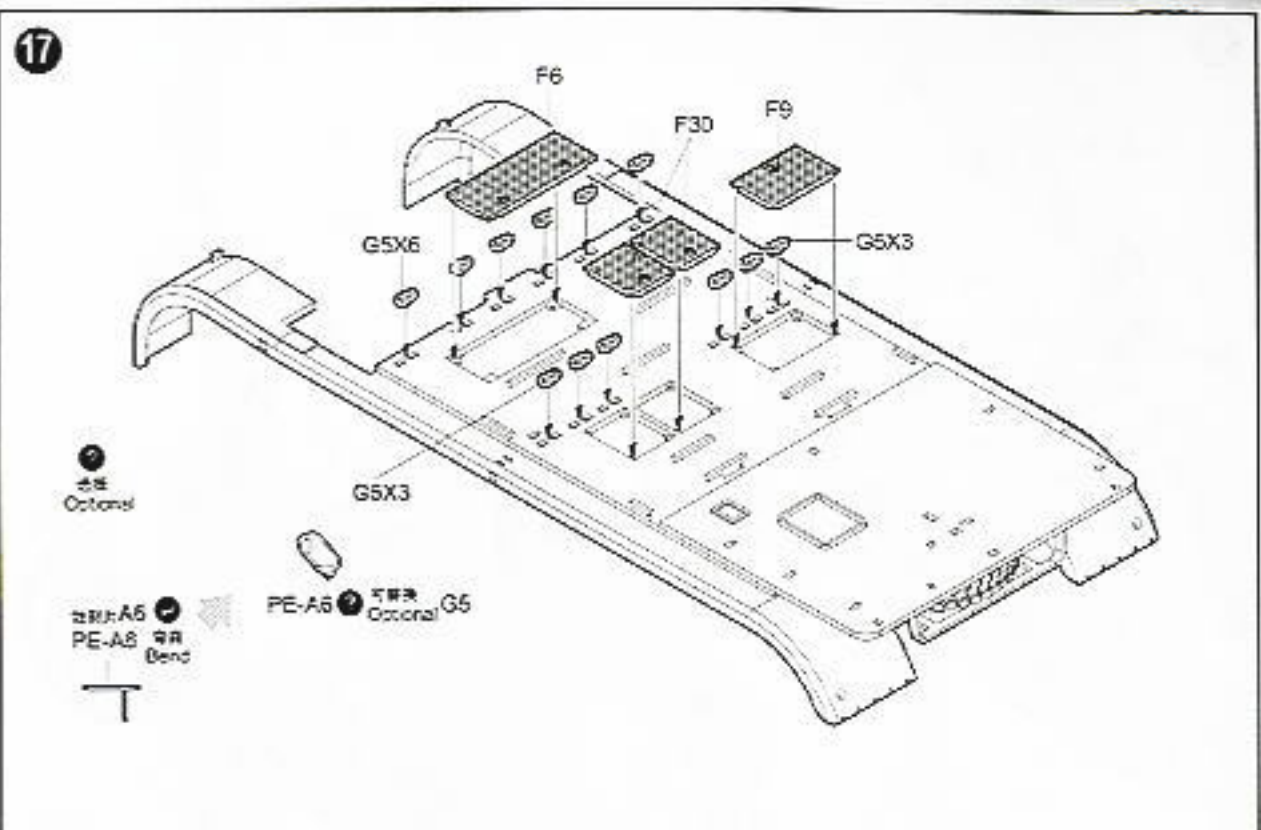




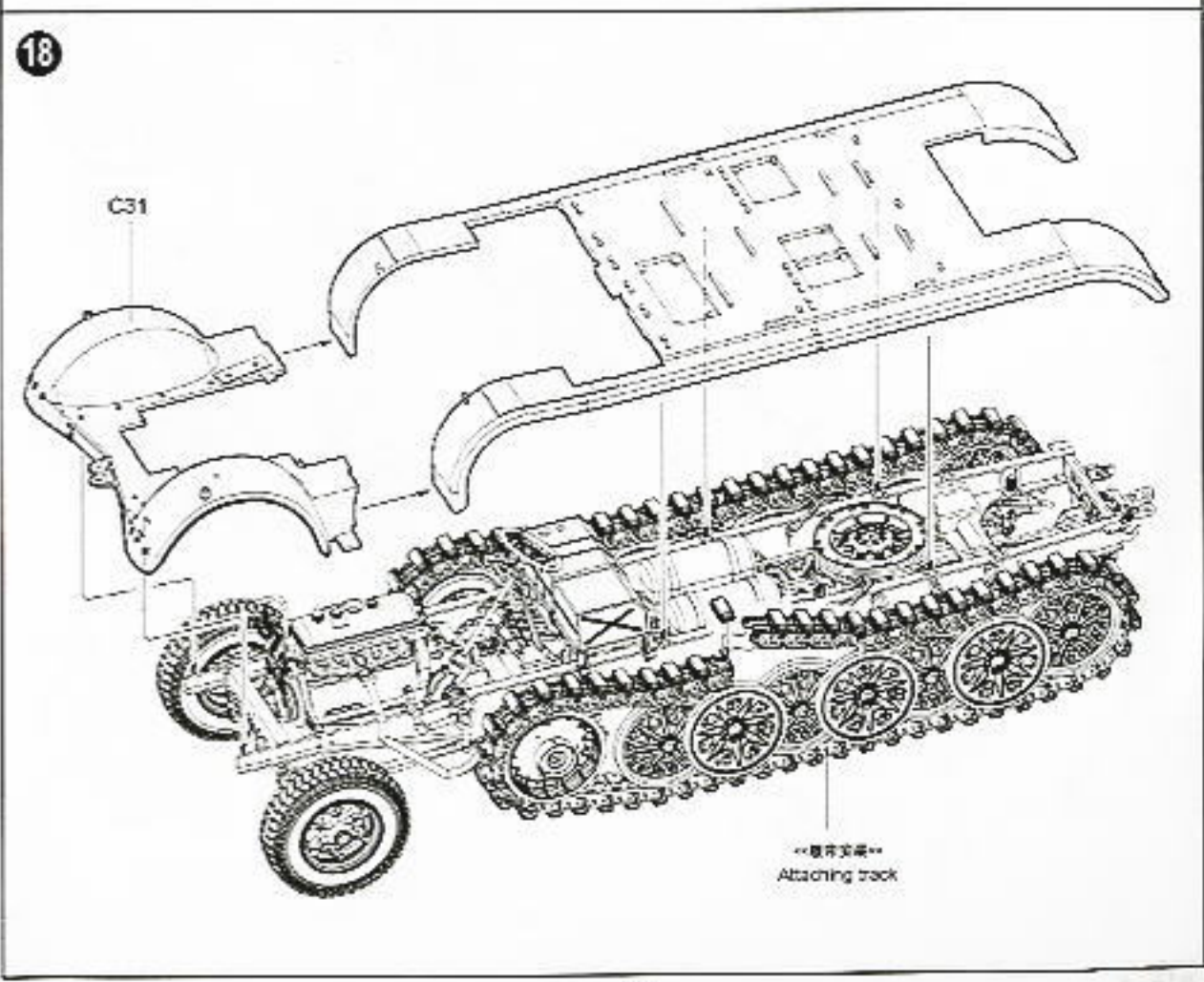
16

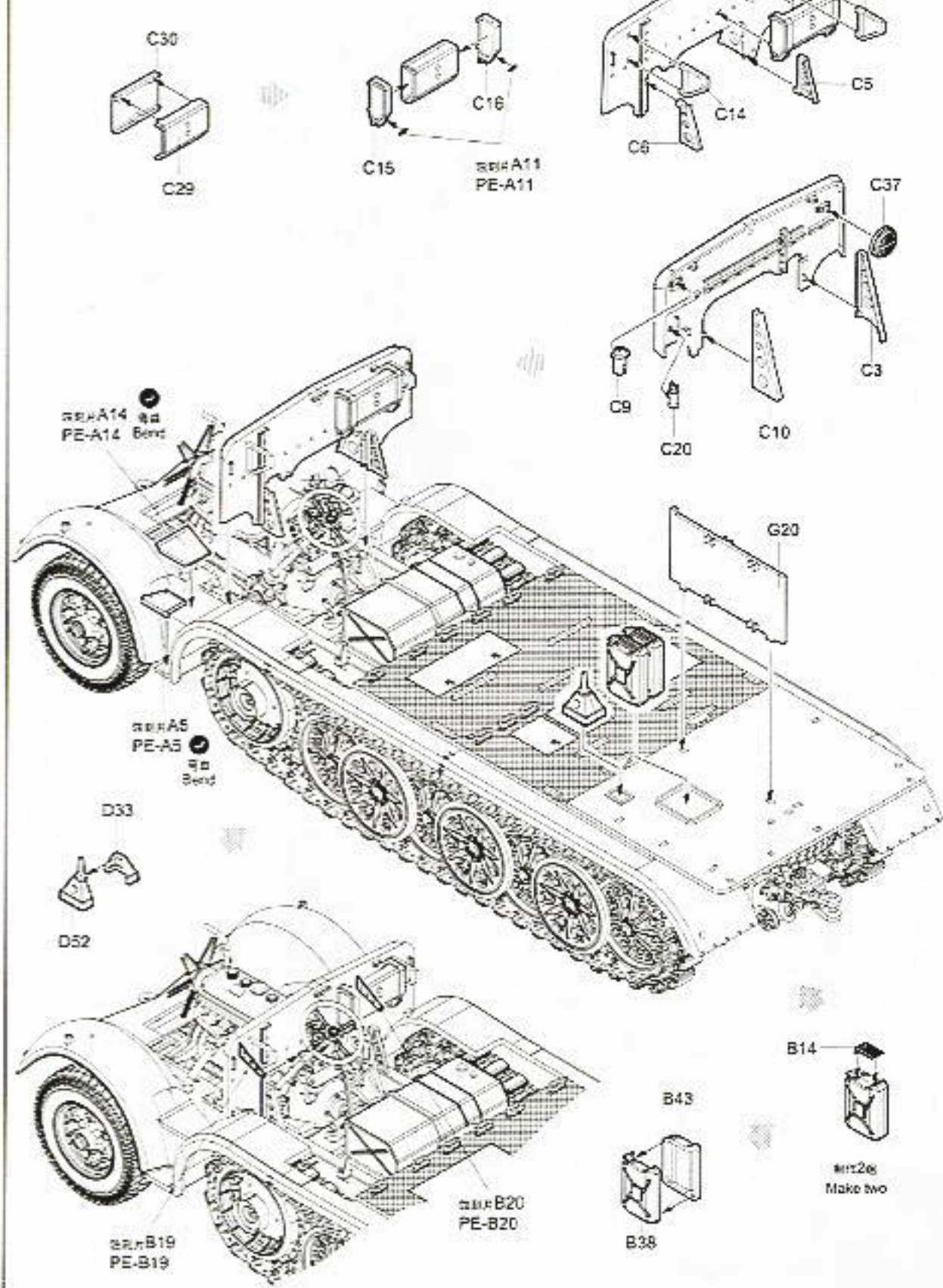
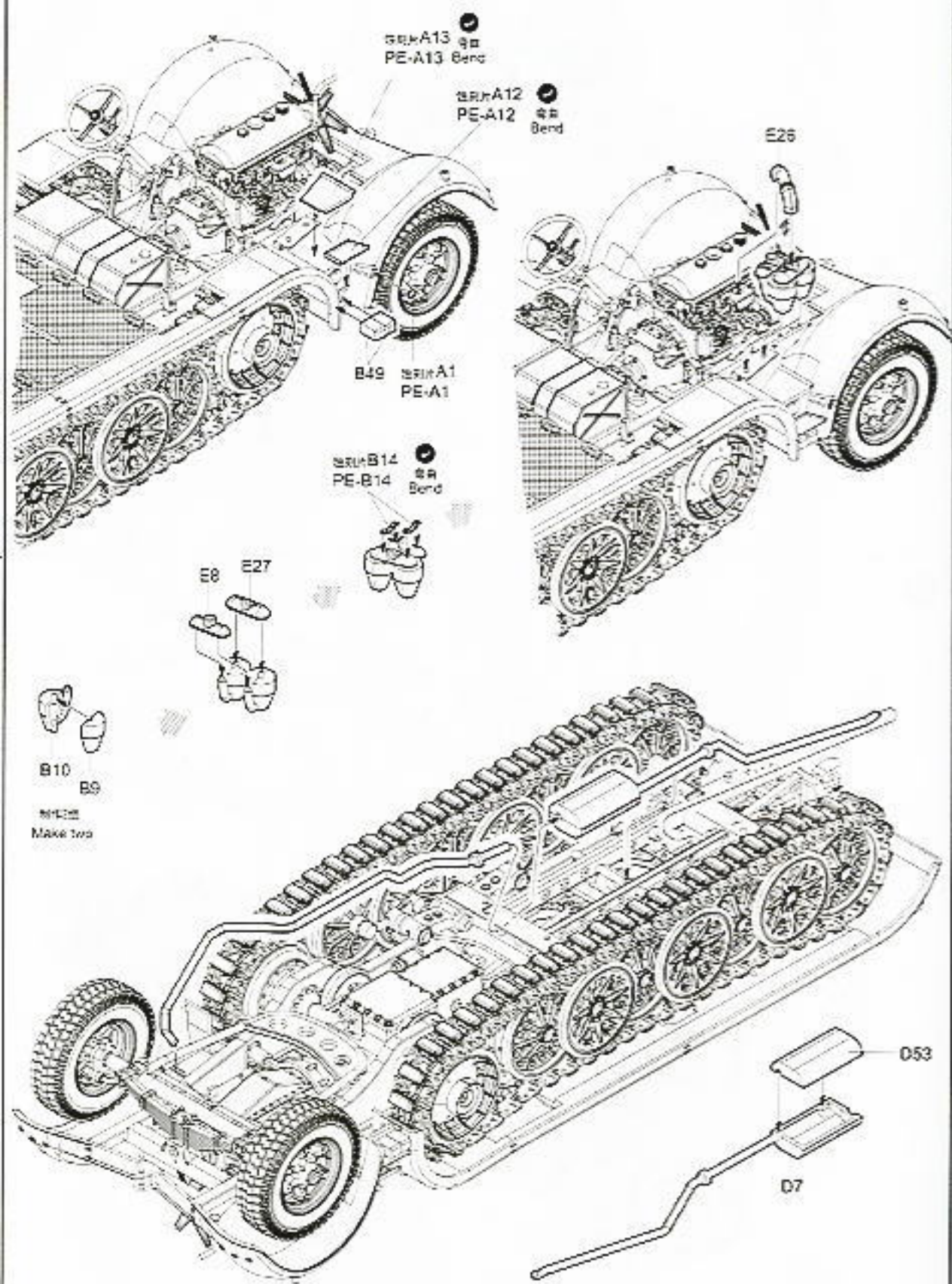


17

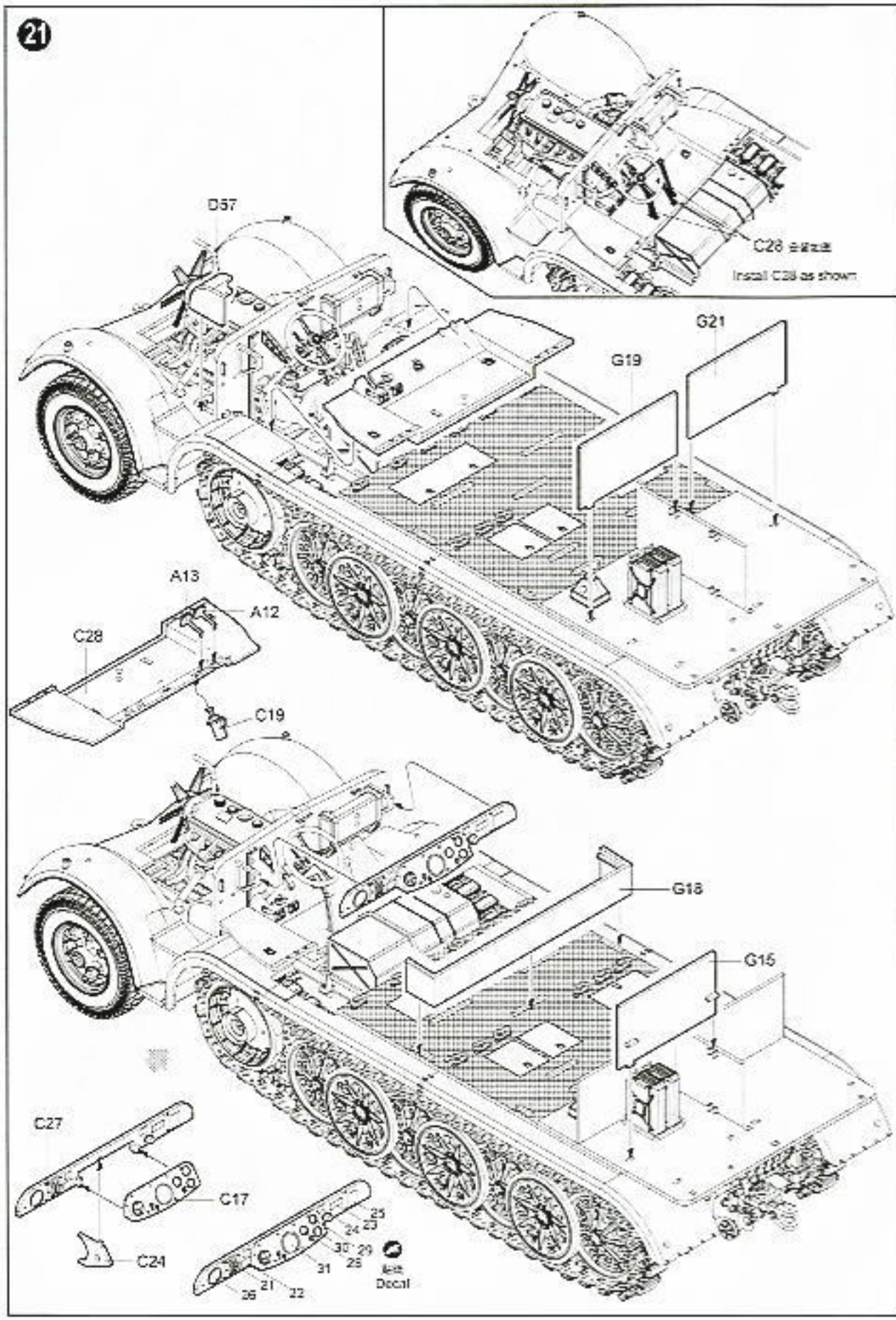


18

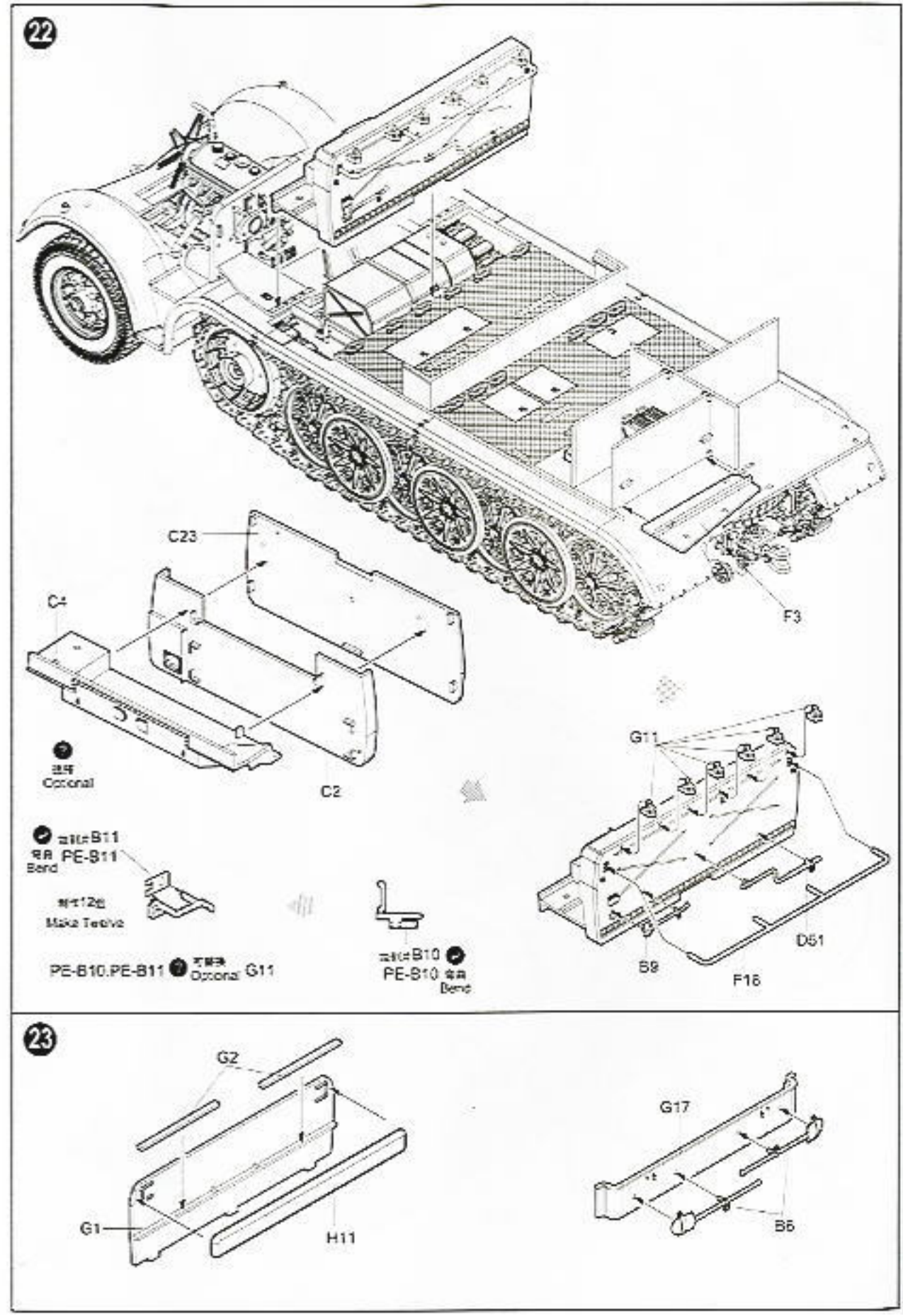




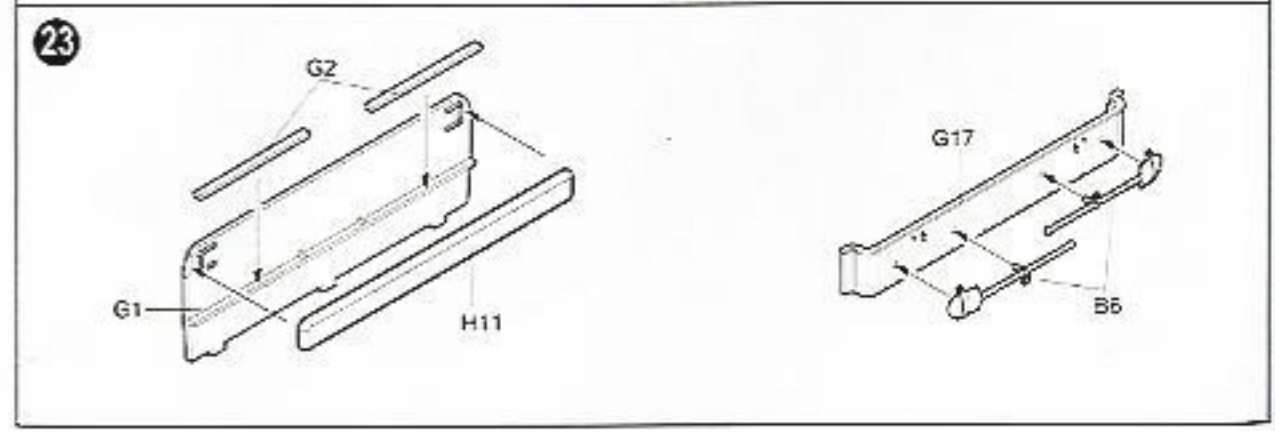
21



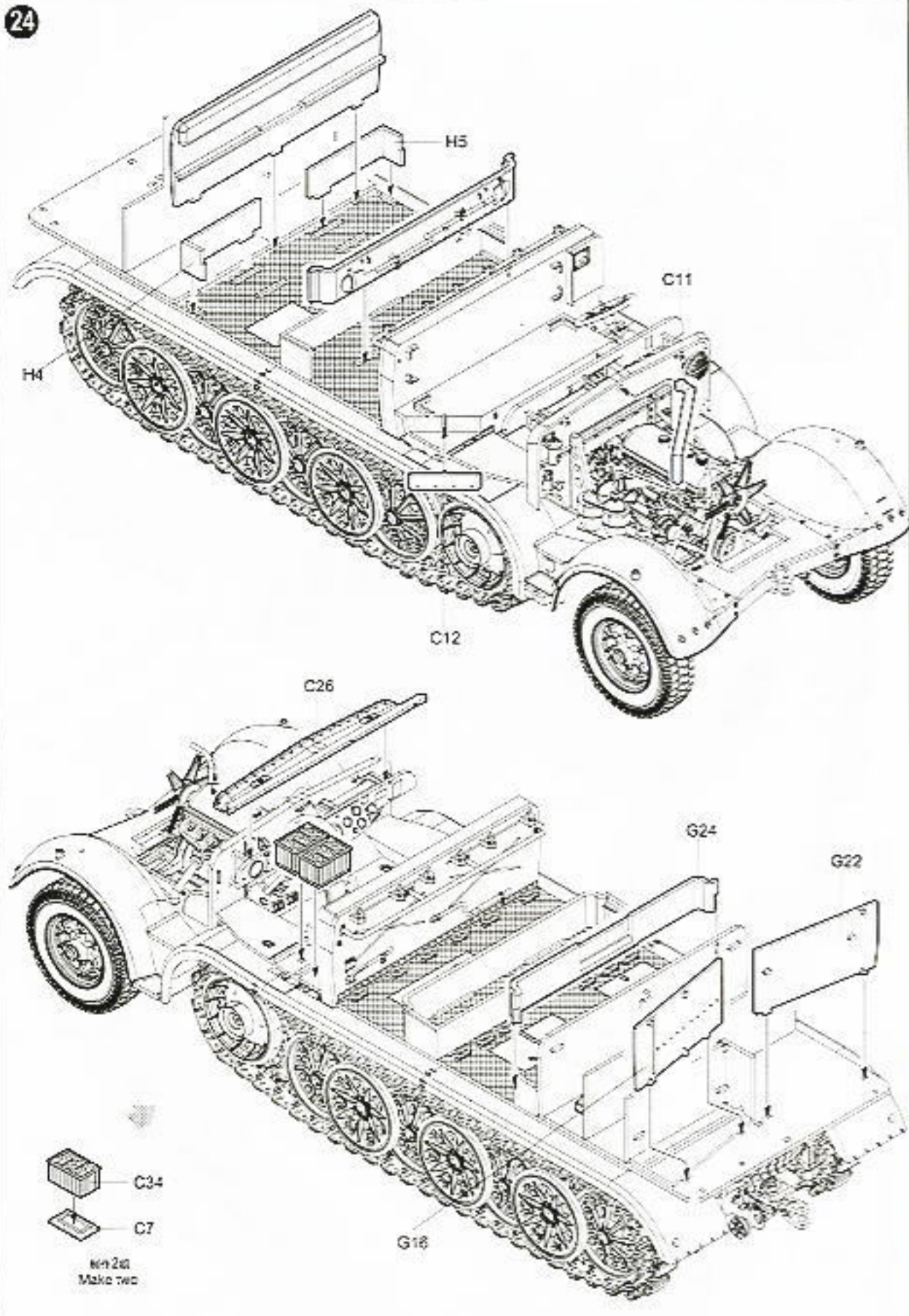
22



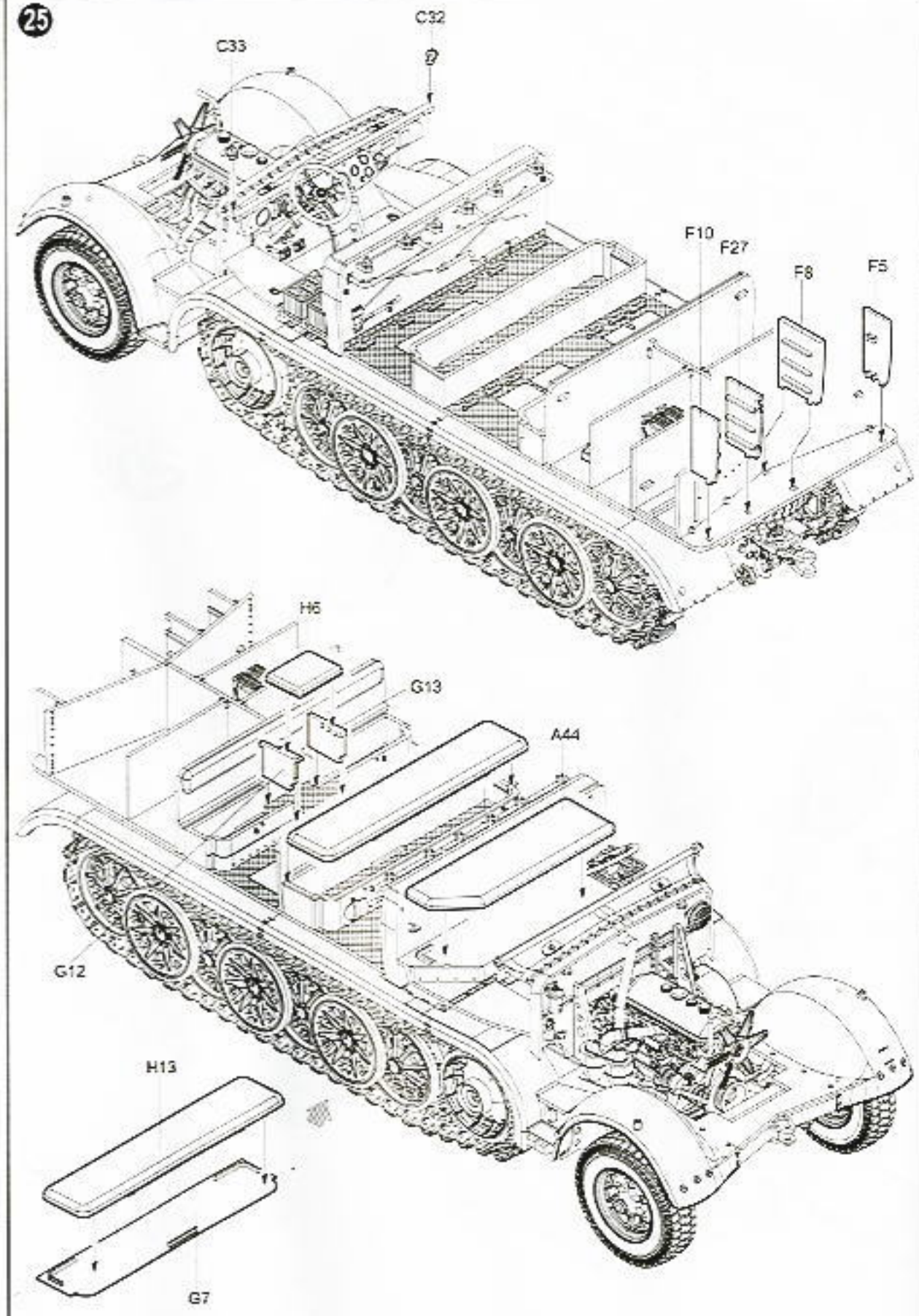
23

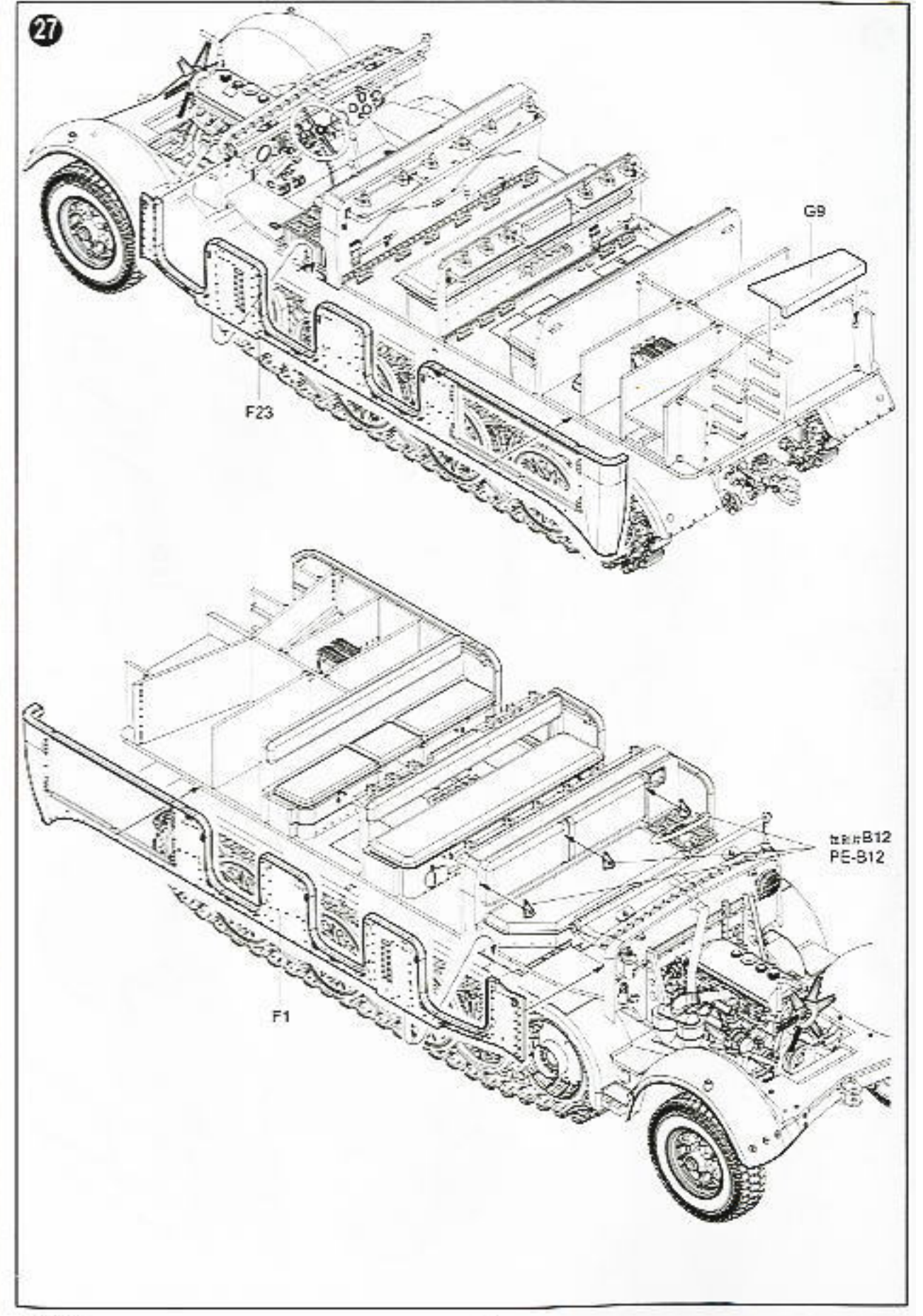
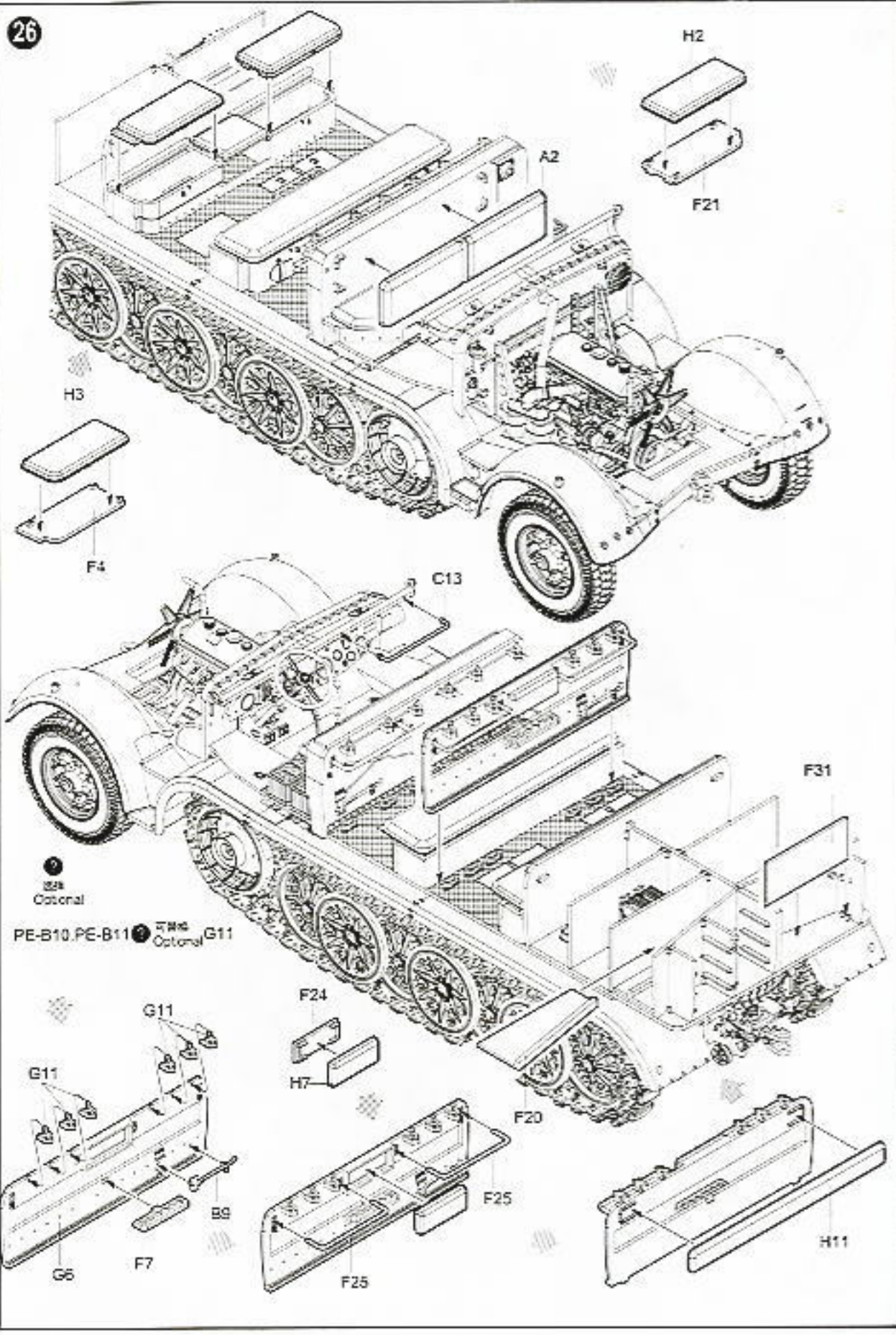


24

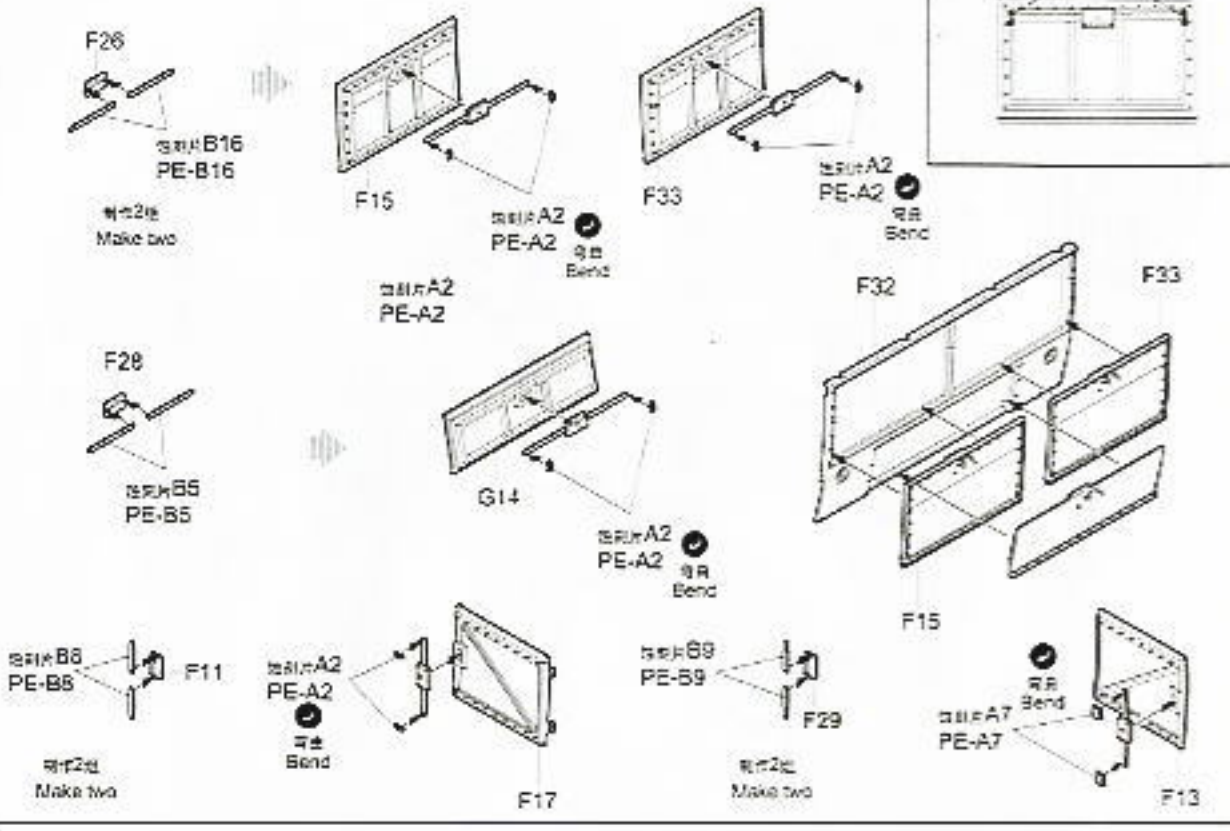


25

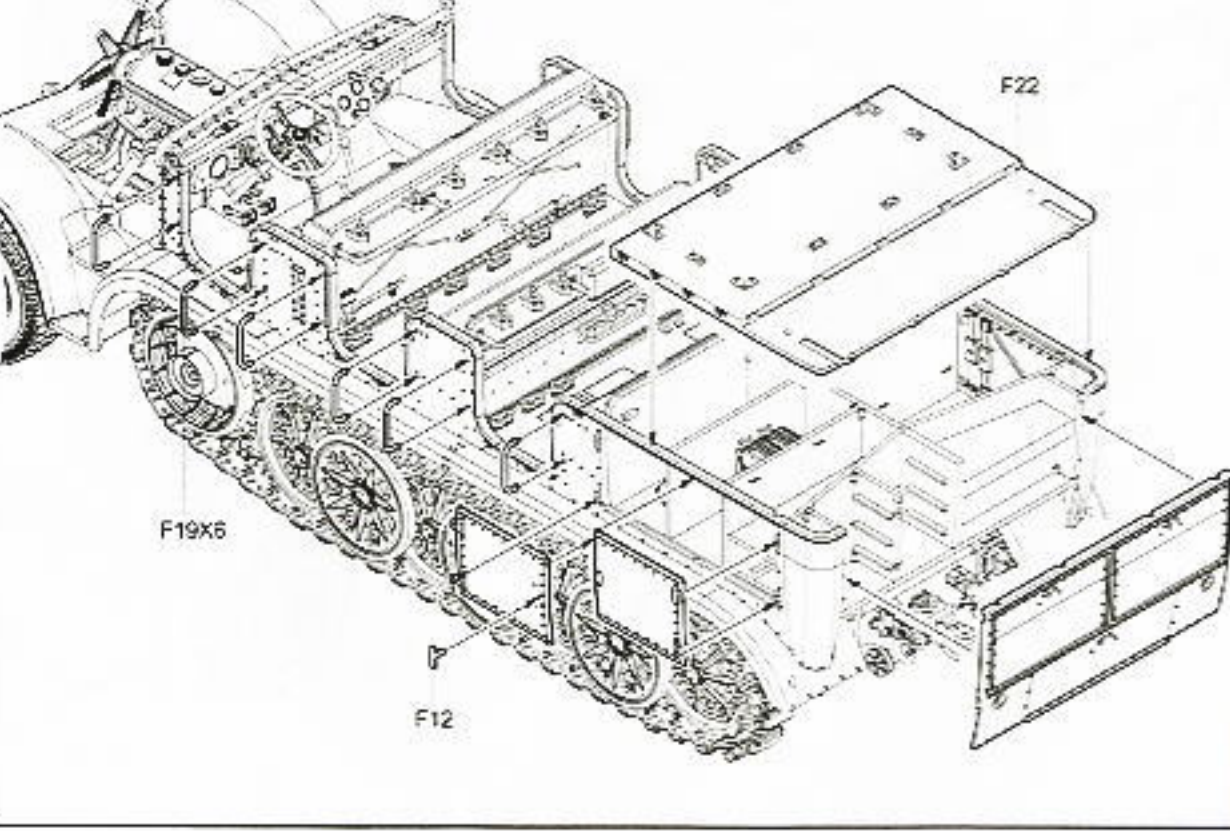




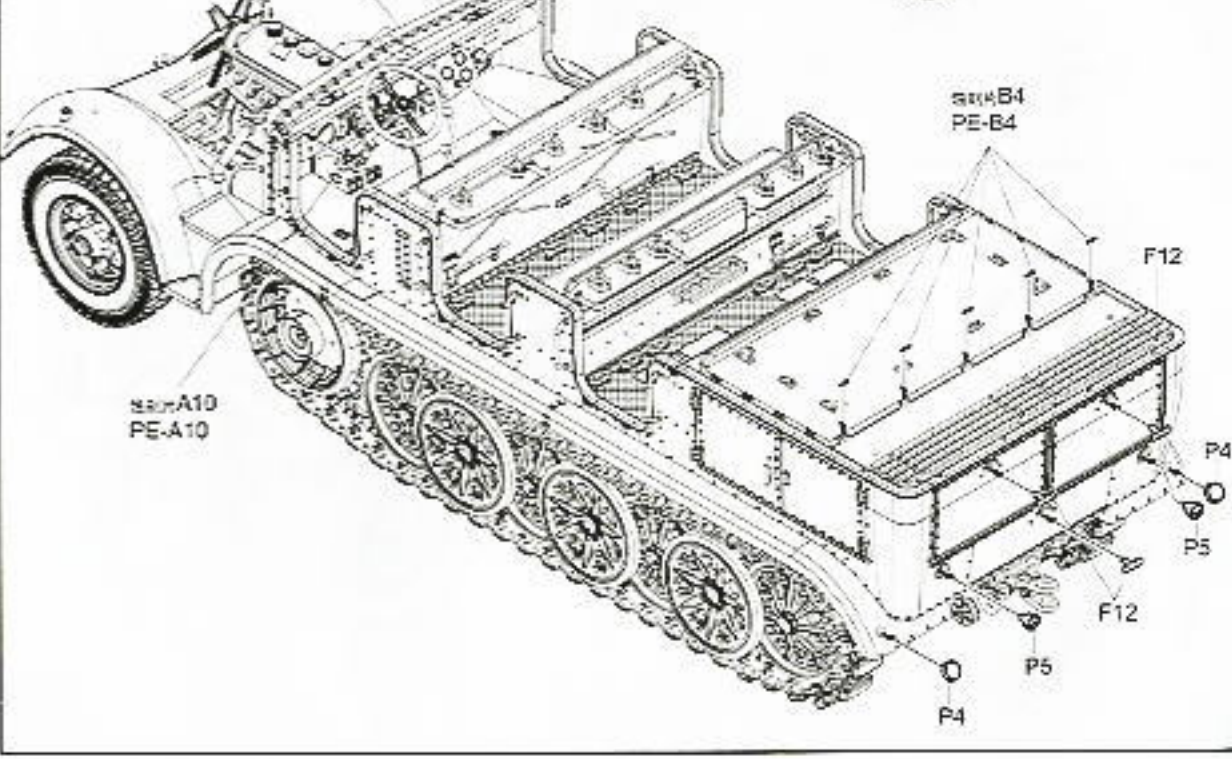
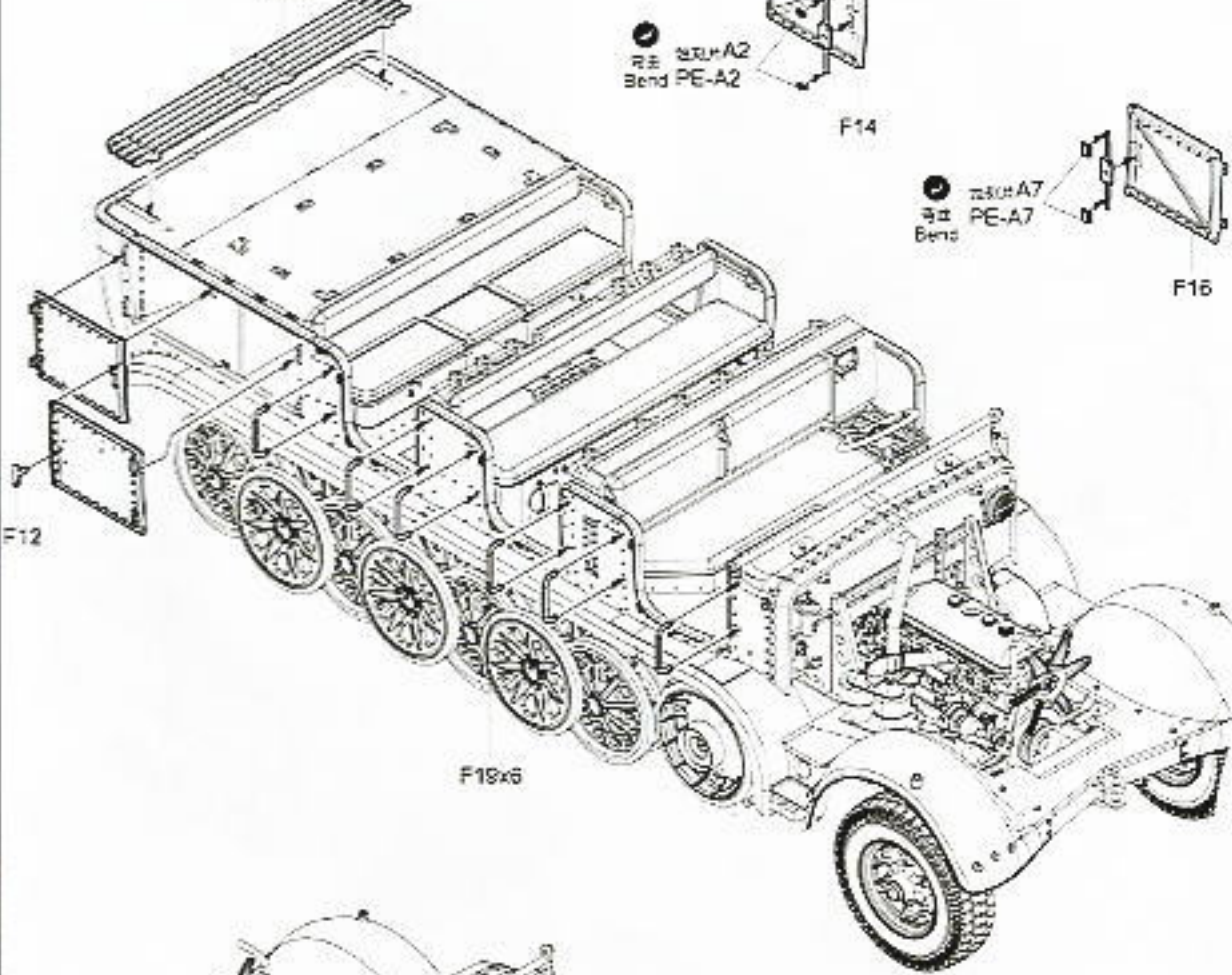
28



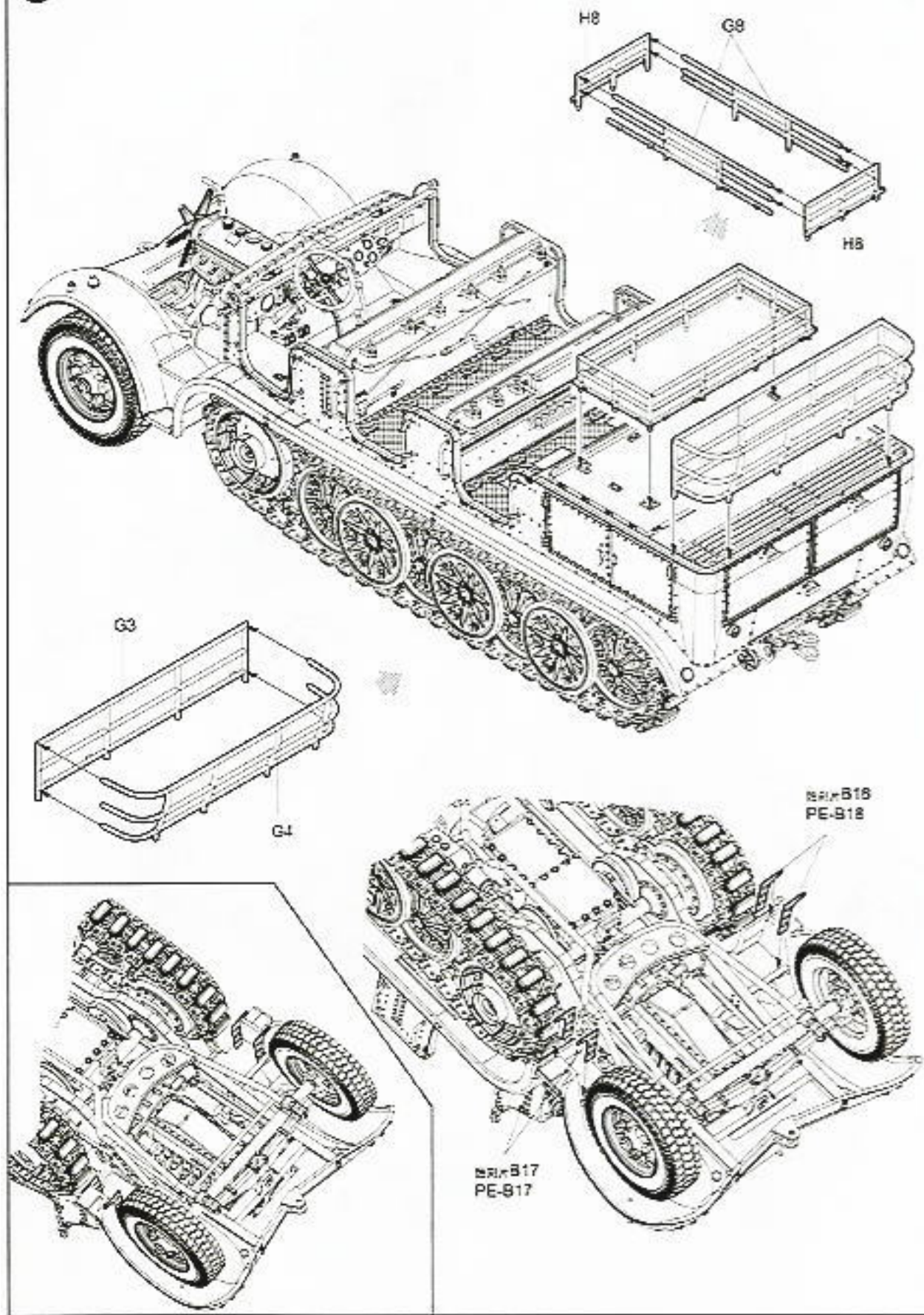
29



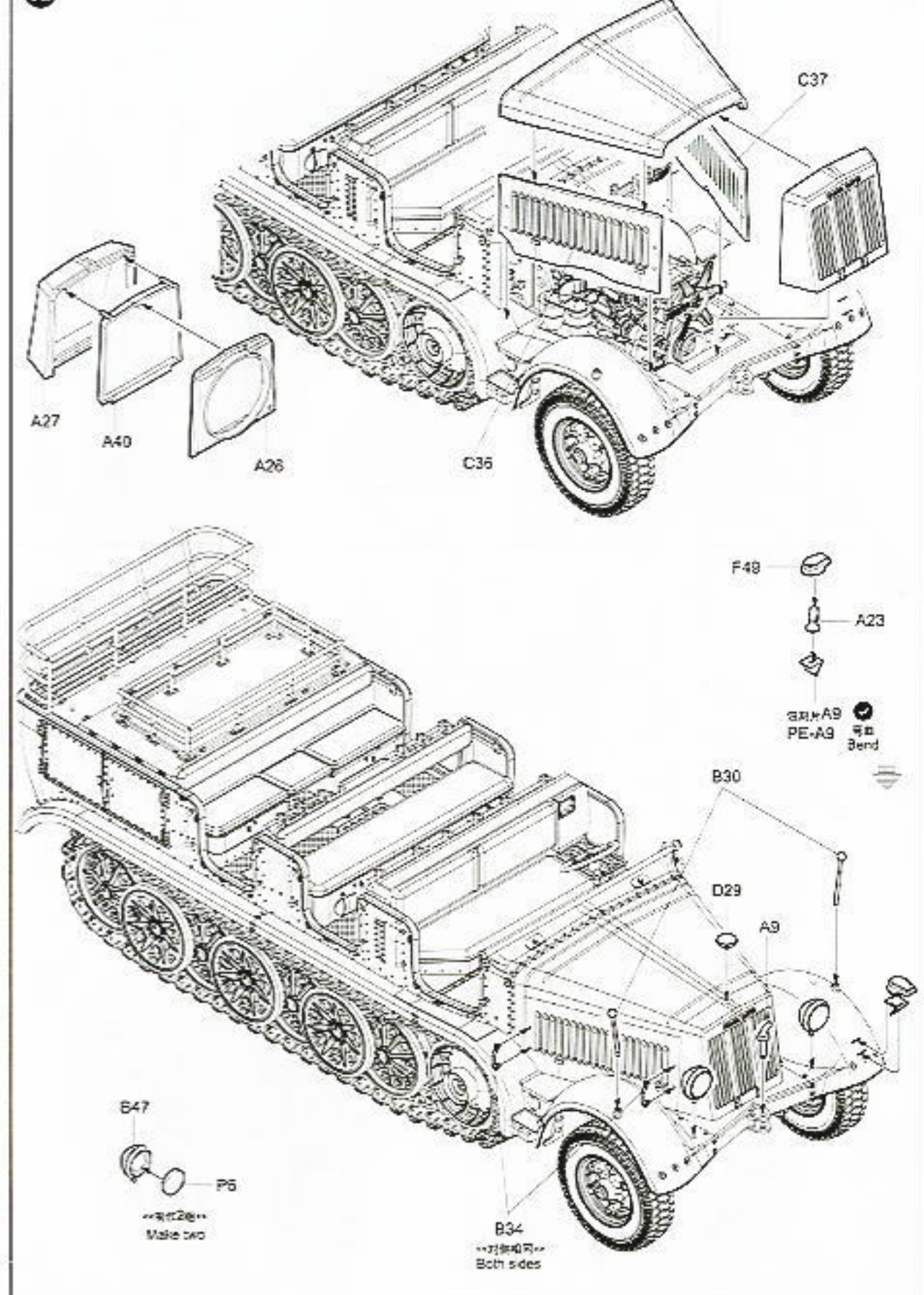
30



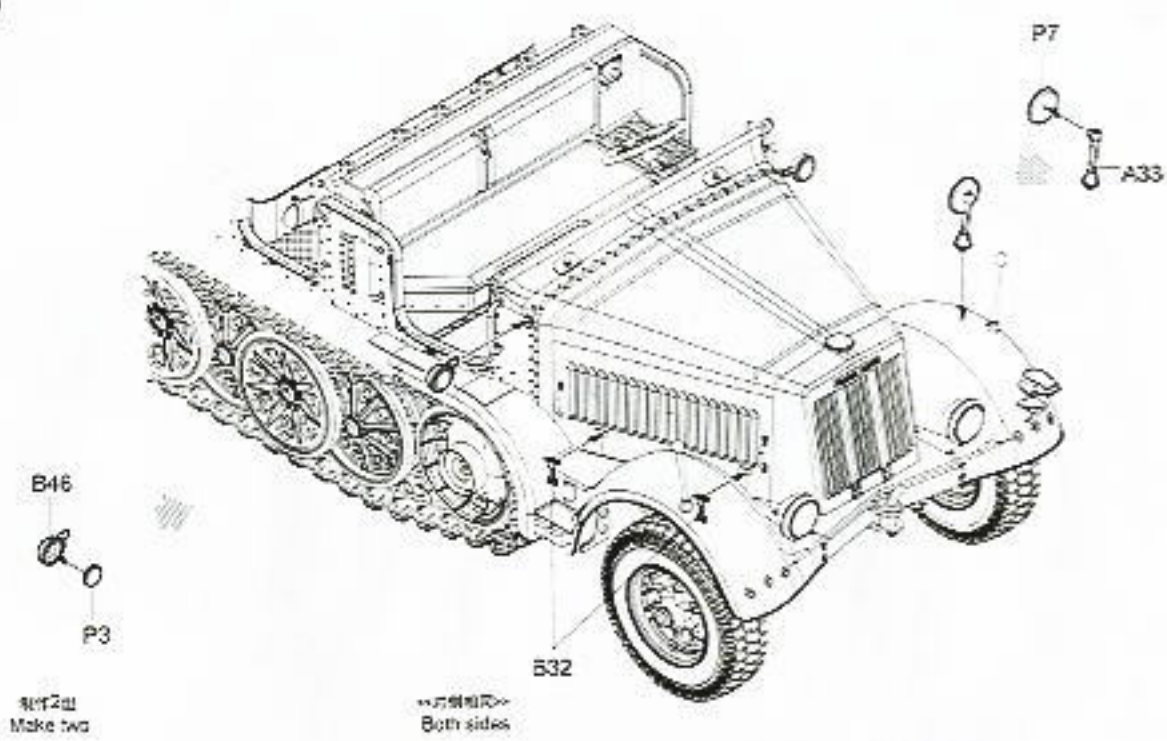
31



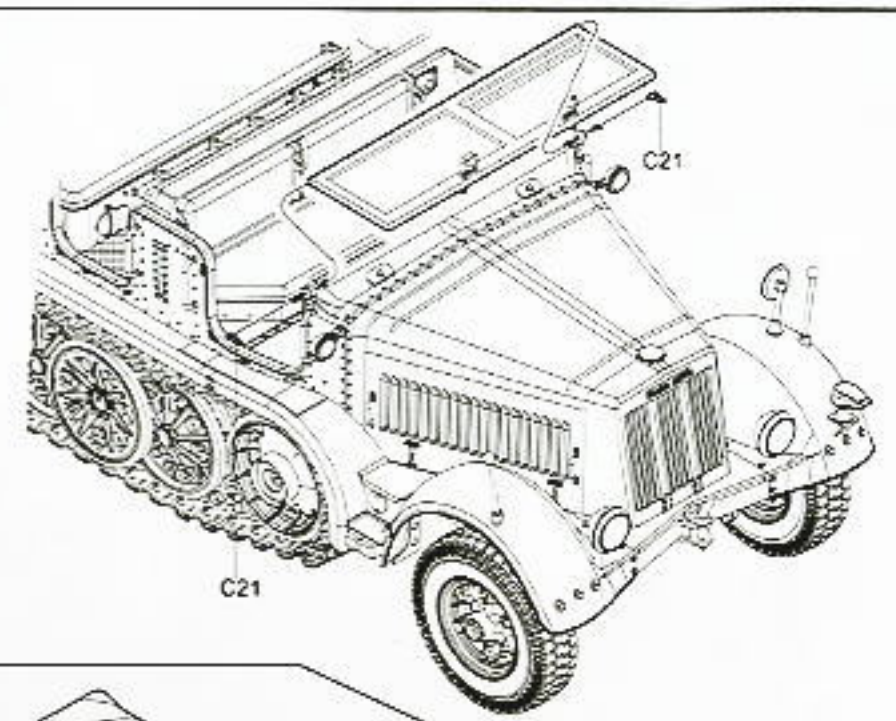
32



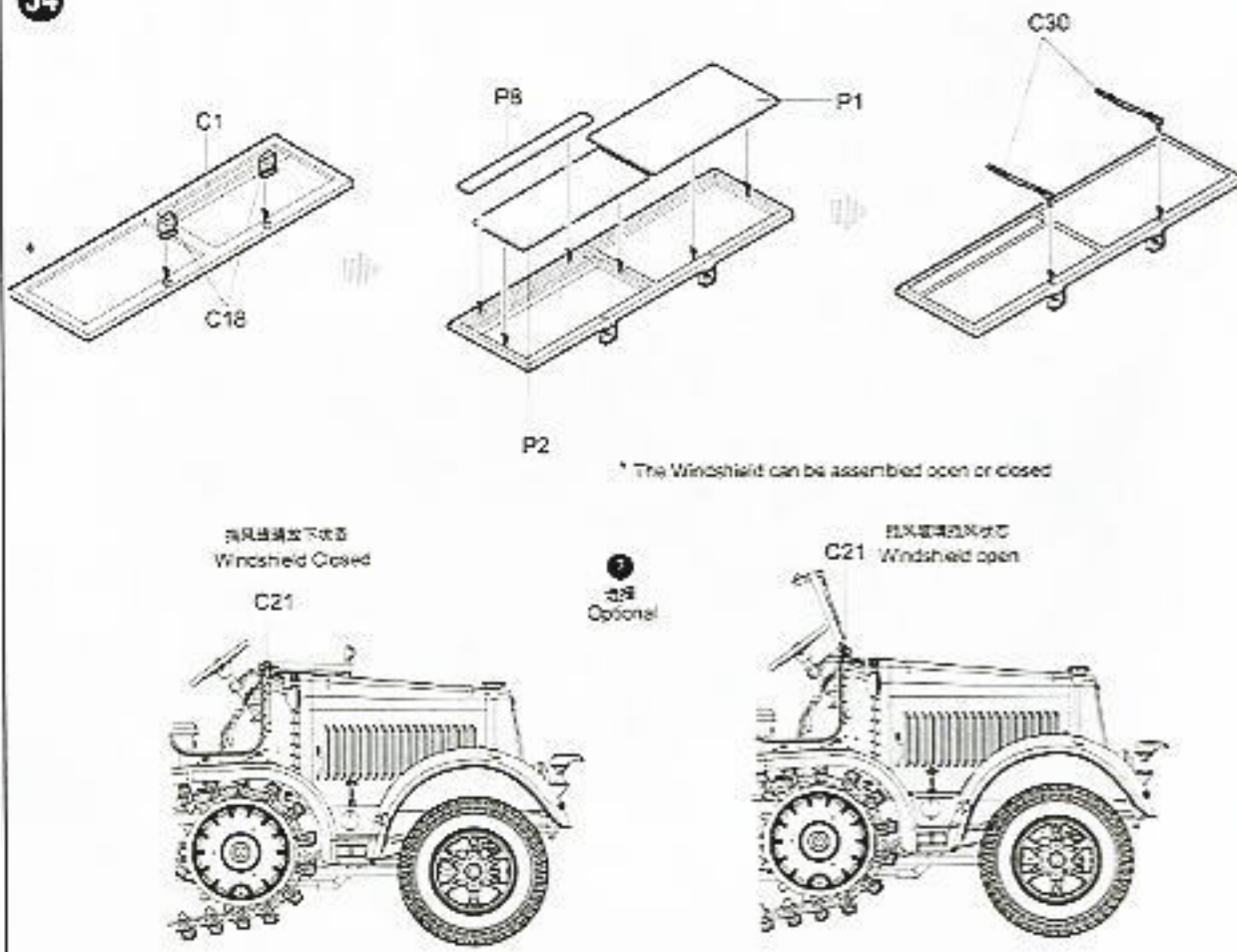
33



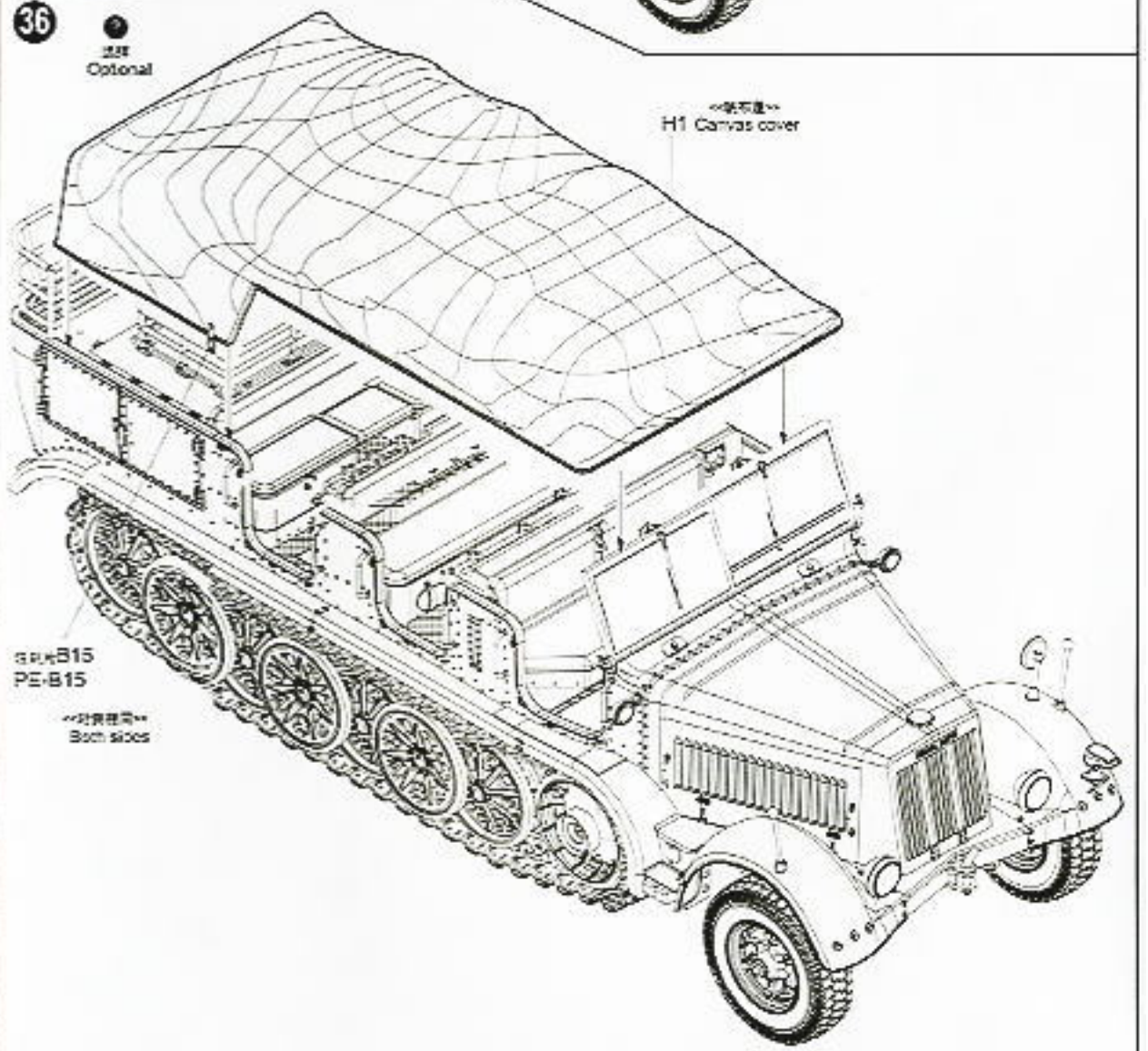
35



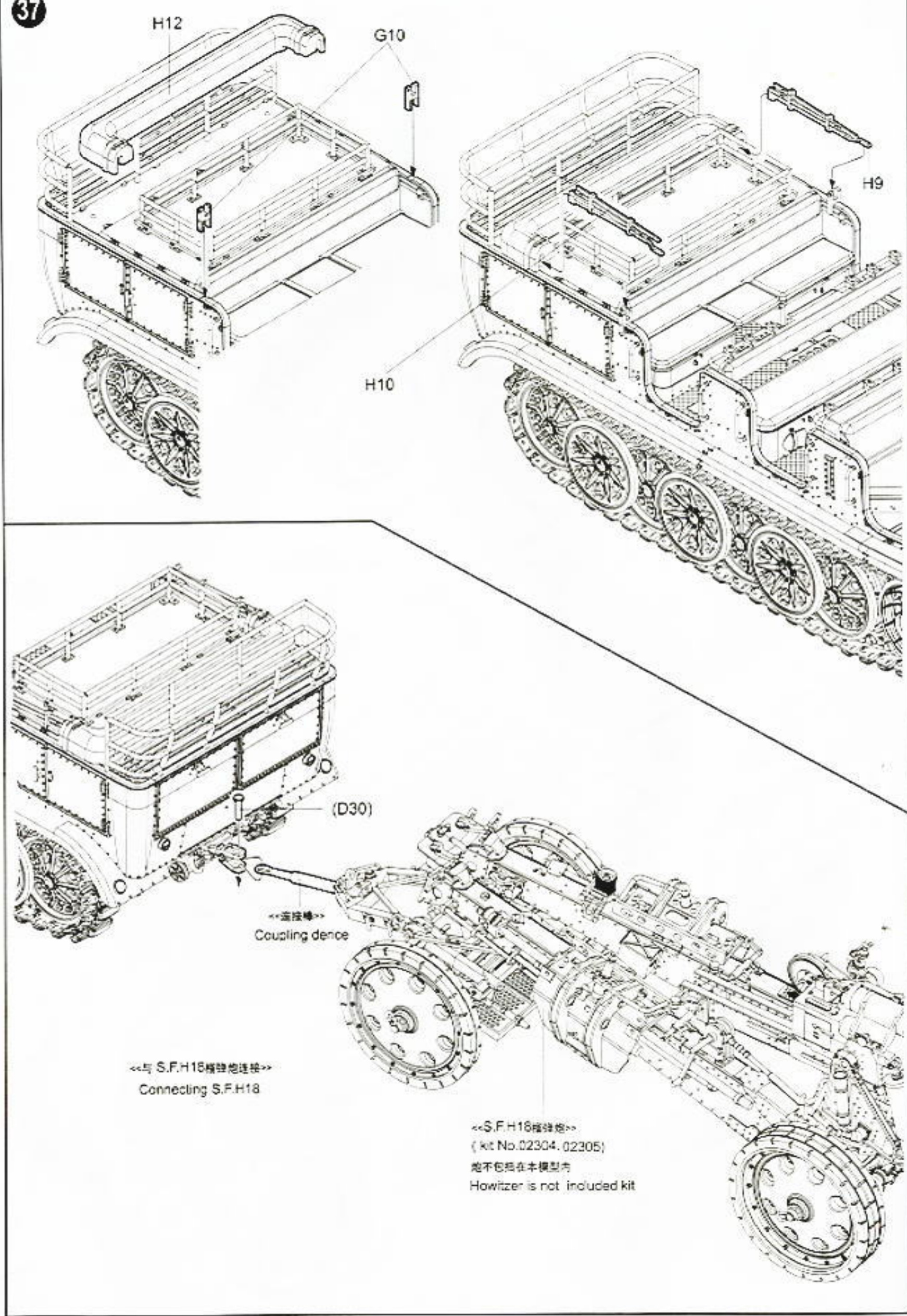
34



36



37



Military Model Reservation Items



[HMS Norfolk `B...
attle of N...`](#)
Aoshima
1/700
Water Lin...
3,230 yen



[Christian Radic...
h & Schnellb...](#)
Aoshima
1/350
Ironclad
4,930 yen



[JMSDF Rescu...
e Flyingboat...](#)
Aoshima
1/144
Airplane ,...
3,230 yen



[WWII German...
Medium Tank...](#)
Amusing H...
1/35
4,080 yen



[B-2 Spirit \(Plas...
tic model\)](#)
Mikro Mir
1/144
6,290 yen



[Short Sunderla...
nd Mk. V \(P...
Special H...](#)
1/72
6,800 yen



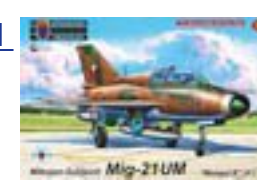
[Doblhoff WNF...
342 \(Plastic...](#)
Mikro Mir
1/48
3,825 yen



[Soviet Medium...
Tank T-28 \(...](#)
Zvezda
1/35
4,080 yen



[German Tiger I...
Early Prod...](#)
Rye Field...
1/35
9,690 yen



[MiG-21UM `Mo...
ngol B` Pt...](#)
KP Model...
1/72
2,805 yen