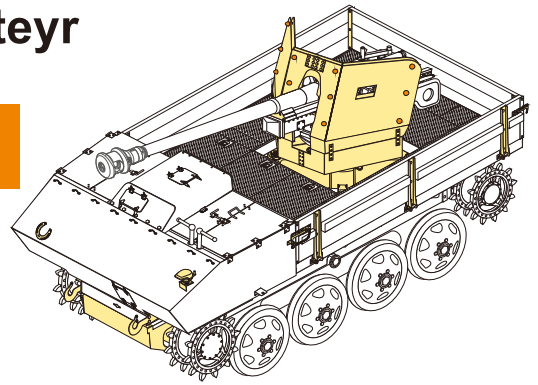


1/35 MILITARY MINIATURE VEHICLE UPGRADE SERIES PE35367

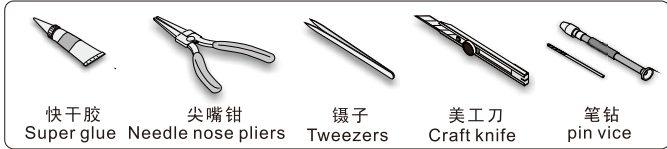
WWII German 75mm PaK 40/4 auf Steyr RSO basic (RIVETS INCLUD)

二战德军斯泰尔 RSO底盘载75mm PAK40/4自行火炮
基本改造件/含铆钉

[For DRAGON 6640]



■ 推荐使用工具 RECOMMENDED TOOLS



快干胶 Super glue 尖嘴钳 Needle nose pliers 镊子 Tweezers 美工刀 Craft knife 笔钻 pin vice

↑
安装
install

↙
折叠
bend

A1
改造件零件编号
PE/resin part number

B12
原零件编号
kit part number

C22
被替换的原零件编号
replaced kit part number

↔
另一侧相同制作
repeat on opposite side

✂
切除
remove

🪄
打磨
grind off

🌀
弧度卷曲
radial bending

📦
制作若干组
multiple assembly

↔
选择安装
alternative

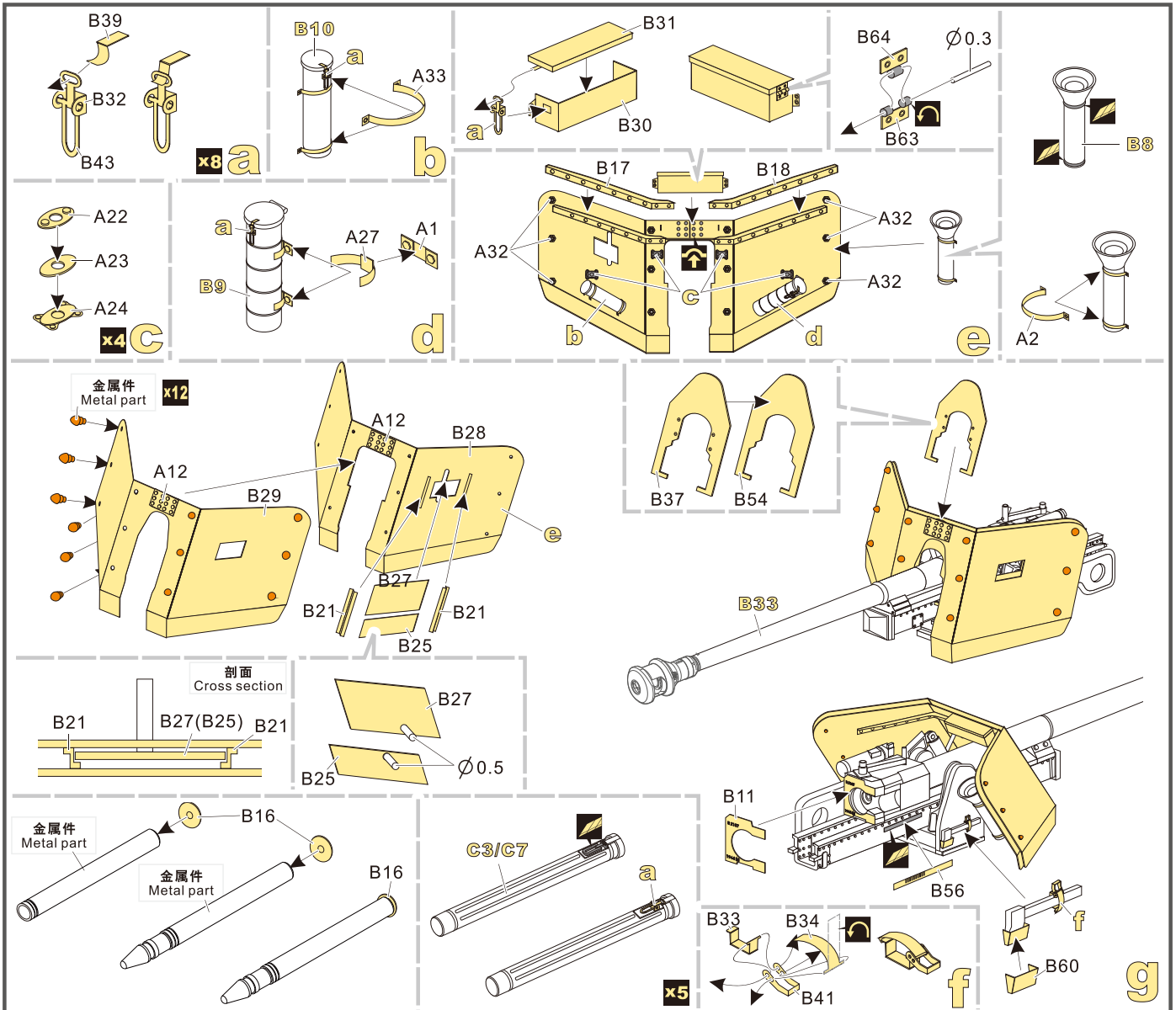
🔪
钻孔
drill

📌
用胶棒制作
make from plastic rod

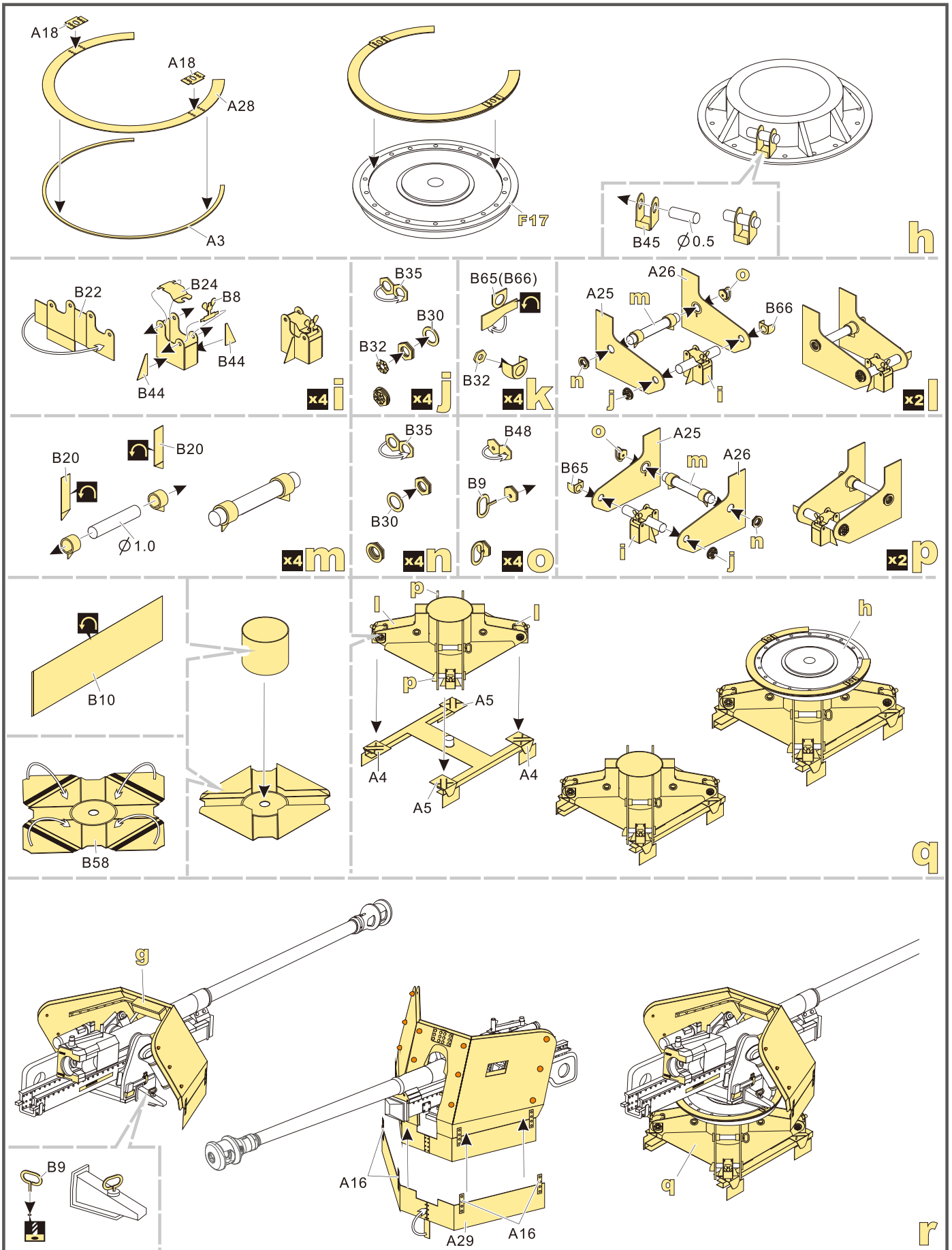
↓
用尖端在凹槽处冲压
use penpoint to press on the dent

📄
蚀刻片零件内侧面
Put the part upside down

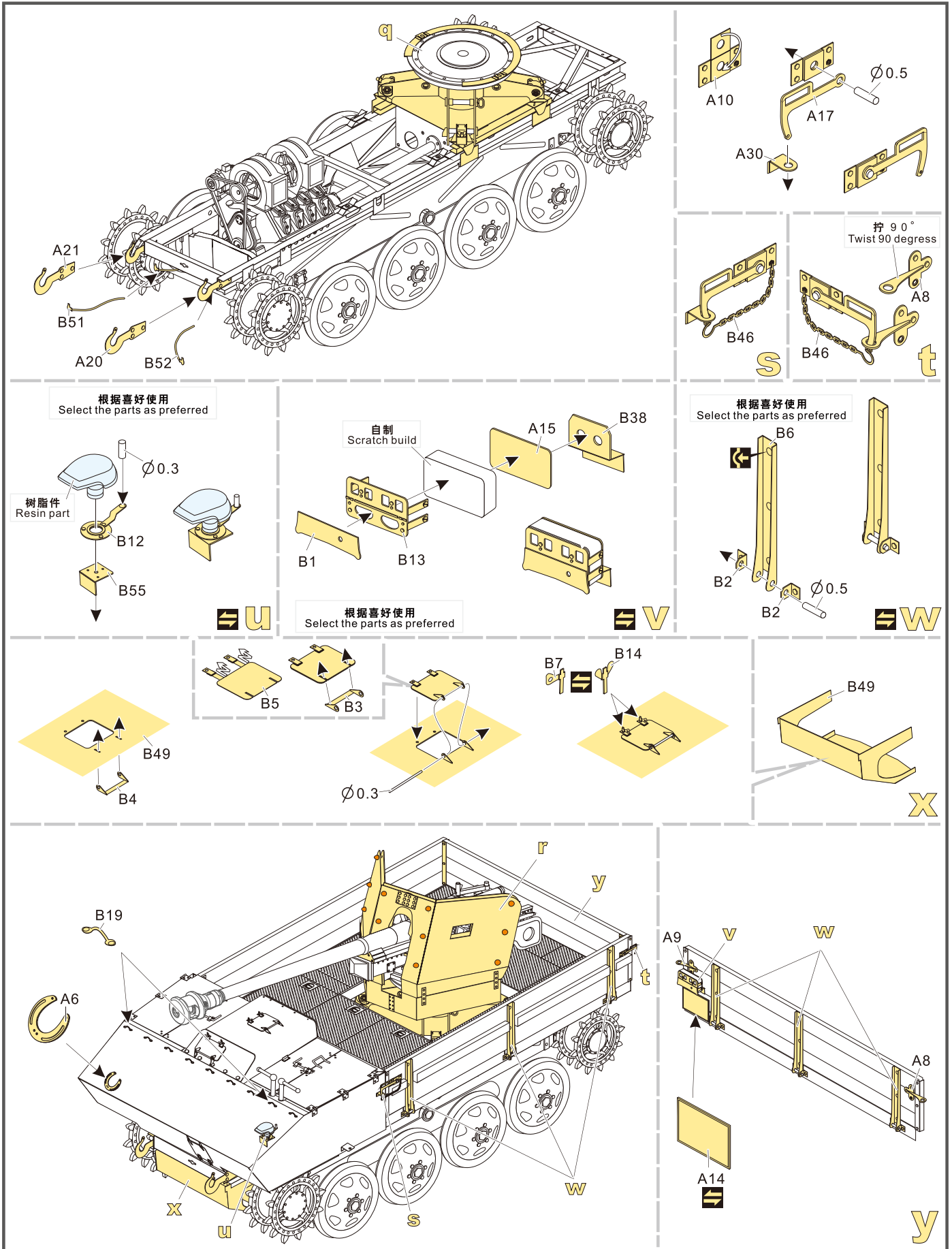
📌
用笔尖在凹槽处刺
Use penpoint to press on the dent



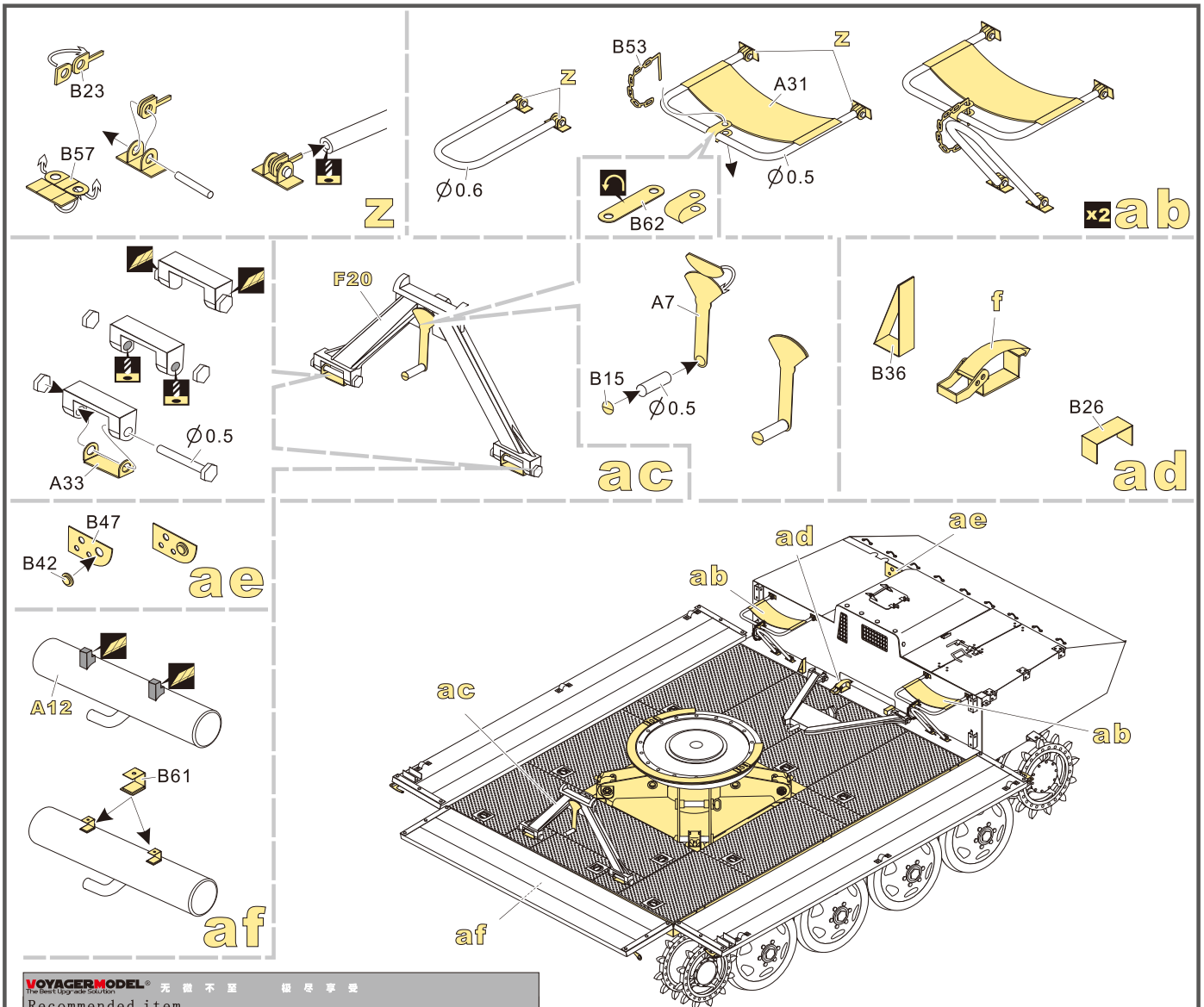
1/35 MILITARY MINIATURE VEHICLE UPGRADE SERIES PE35367



1/35 MILITARY MINIATURE VEHICLE UPGRADE SERIES PE35367



1/35 MILITARY MINIATURE VEHICLE UPGRADE SERIES PE35367



VOYAGERMODEL® 无微不至 精益求精

Recommended item

PE 35368	WWII German 75mm PaK 40/4 auf Steyr RSO driver's cabin
PE 35369	WWII German 75mm PaK 40/4 auf Steyr RSO Fighting platform
VBS0102	WWII German Tiger I Barrel (Early Version)
VBS0103	WWII German 75mm Pak40 Barrel(Mid version)
VBS0104	WWII German 75mm Pak40 Barrel(Late version)
VBS0304	WWII German 75mm Pak40 Ammunition

