

## F/A-18F SUPER HORNET

VFA-41, the Black Aces, is the first operational Navy squadron to fly the F/A-18F, twin seat version of the powerful new Super Hornet attack fighter.

The squadron was established on 1 June, 1945 at Chincoteague, VA, and began operations with the famous Vought Corsair fighter. In July, 1948, it became known as Fighter Squadron Three-B and three months later, the group was re-designated VF-41. In May, 1953, the Black Aces received their first jets, the F2H Banshee and six years later, the Navy's sleek all-weather F3H Demon carried the markings of the squadron. By early 1962, the Black Aces were flying the supersonic F-4 Phantom II's which were used during the Cuban Missile crisis, and in 1968, the squadron was flying their Phantoms in combat operations over Vietnam.

The F-14 Tomcat became VF-41's next mount and during a patrol over the Gulf of Sidra in 1981, two of their aircraft were attacked by a pair of Libyan fighters, which were quickly dispatched by the VF-41 Tomcats, the first ever modern F-14 combat.

VF-41 pilots participated in Operations Desert Shield and Desert Storm, Deliberate Force, Deny Flight and Southern Watch, and Enduring Freedom. Now flying the Super Hornet, the squadron is based at NAS Lemoore, CA. Their two seat F/A-18F's have the same capabilities as their single seat counterparts but are used primarily for training.

The Super Hornet serves a multiple role as an attack plane and crew trainer. Though the plane carries a crew of two, the proportions are the same as a single seater. The characteristics of the plane are such that plans are underway to develop this version of the Super Hornet into an electronic platform to replace the venerable EA-6B Prowler. The new plane would be called the "Growler" and would offer greater speed and attack capabilities to the role.

Two sets of VFA-41 markings are provided on the decal sheet. One is for the commander's plane in full color and the second set has the low visibility markings typical of today's combat aircraft.



\* REPEAT SEVERAL TIMES  
\* A REPETER PLUSIEURS FOIS



\* OPTIONAL PARTS  
\* PIECES EN OPTION



\* DECAL  
\* DECAL COMANIE



\* ALTERNATIVE ASSEMBLY  
\* ENSEMBLAGE ALTERNATIVE



\* CEMENT TOGETHER  
\* A COLLER



\* REMOVE AND THROW AWAY  
\* A RETIRER ET JETER



\* DO NOT CEMENT  
\* NE PAS COLLER

### READ THIS BEFORE YOU BEGIN

- \* Study the assembly drawings.
- \* Each plastic part is identified by a number.
- \* For better paint and decal adhesion, wash the plastic parts in a mild detergent solution. Rinse and let air dry.
- \* Check the fit of each piece before cementing in place.
- \* Use only cement for polystyrene plastic.
- \* Scrape paint from areas to be cemented.
- \* Allow paint to dry thoroughly before handling parts.
- \* Any unused parts may be discarded.

### DECAL APPLICATION INSTRUCTIONS

1. Cut desired decal from sheet.
2. Dip decal in water for a few seconds.
3. Place wet decal on paper towel.
4. Wait until decal is movable on paper backing.
5. Place decal in position on model, face up and slide backing away.
6. Press out air bubbles with a soft damp cloth.
7. Milkyness that may appear is for better decal adhesion and will dry clear. Wipe away any excess adhesive.
8. Do not touch decal until fully dry.
9. Allow the decals 48 hours to dry before applying clear coat.

**NOTE:** Decals are compatible with setting solutions or solvents.

### LIRE CE QUI SUIT AVANT DE COMMENCER

- \* Etudier les schémas de montage.
- \* Chaque pièce en plastique est identifiée par un numéro.
- \* Pour une meilleure prise de la peinture et des autocollants, laver les pièces en plastique avec une solution détergente peu concentrée. Les rincer et les laisser sécher à l'air.
- \* Vérifier que chaque pièce s'ajuste bien avant de la coller en place.
- \* N'utiliser que de la colle pour polystyrène.
- \* Gratter les parties à coller pour enlever la peinture.
- \* Laisser la peinture bien sécher avant de manipuler les pièces.
- \* Toute pièce inutilisée peut être jetée.

### DIRECTIVES D'APPLICATION DES AUTOCOLLANTS

1. Découper l'autocollant désiré de la feuille.
2. Tremper l'autocollant dans de l'eau pendant quelques secondes.
3. Placer l'autocollant mouillé sur une serviette en papier.
4. Attendez que l'autocollant puisse être déplacé sur son support en papier.
5. Mettre l'autocollant en position sur le modèle face sur le dessus et faire glisser le support pour l'enlever.
6. Appuyer avec un chiffon doux humide pour éliminer les bulles d'air.
7. La substance laiteuse qui peut apparaître est destinée à améliorer l'adhésion de l'autocollant et devient incolore au séchage. Essuyer pour enlever tout excédent d'adhésif.
8. Ne pas toucher l'autocollant tant qu'il n'est pas bien sec.
9. Laisser l'autocollant sécher pendant 48 heures avant d'appliquer une couche transparente.

**REMARQUE:** Les autocollants sont compatibles avec les solutions de fixation ou les solvants.

This paint guide is provided to complete this kit as shown on the box.

Ce guide de peinture est fourni pour reproduire le modèle réduit qui apparaît sur la boîte.

Dark Ghost Gray	FS 36320	Gris fantôme foncé
Dark Gull Gray	FS 36231	Gris cendré foncé
Flat Black	FS 37038	Noir mat
Flat White	FS 37875	Blanc mat
Flat Yellow	FS 33538	Jaune mat
Gloss Black	FS 17038	Noir brillant
Gloss White	FS 17875	Blanc brillant
Green		Vert
Insignia Red	FS 11136	Rouge emblème
Light Ghost Gray	FS 36375	Gris fantôme clair
Olive Drab	FS 34087	Gris vert
Red		Rouge
Dark Gray	FS 35327	Gris foncé
Steel		Acier

If you have any questions or comments, call our hotline at: **(800) 833-3570**  
or, please write to:

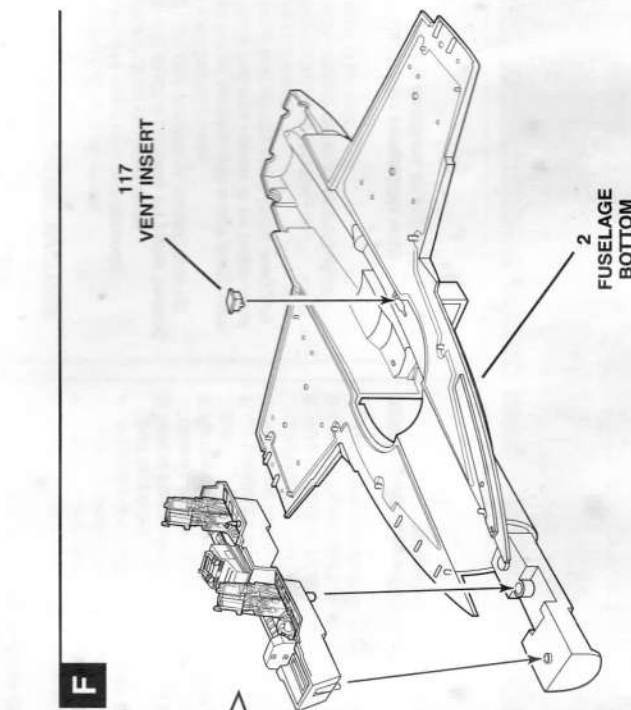
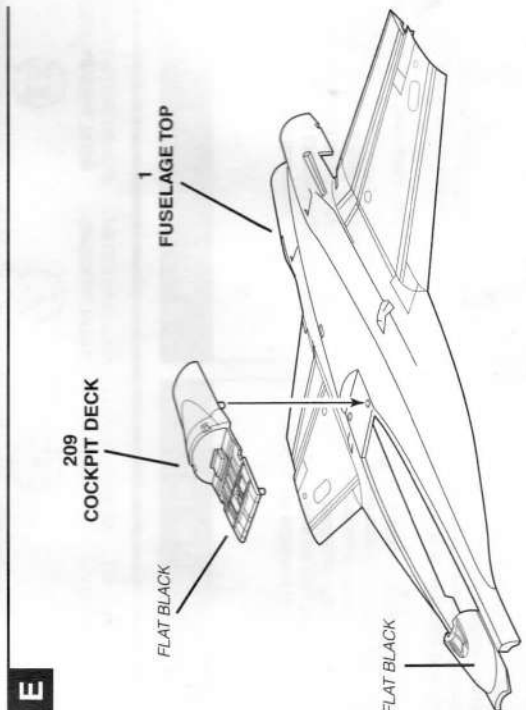
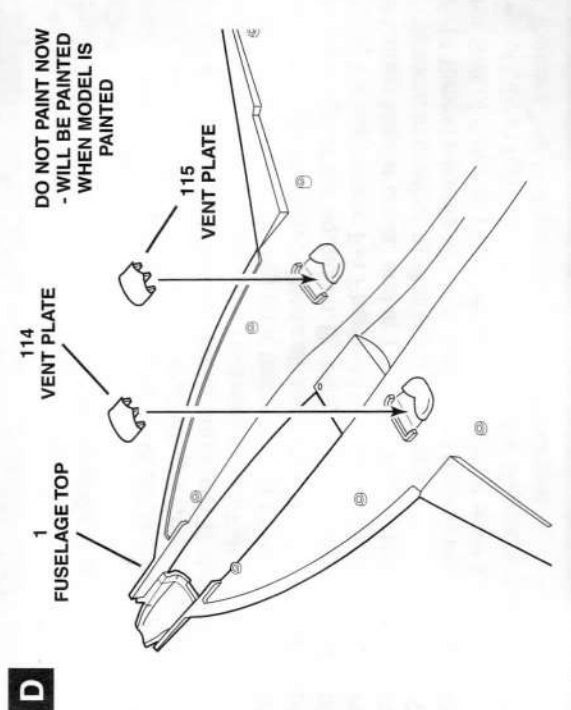
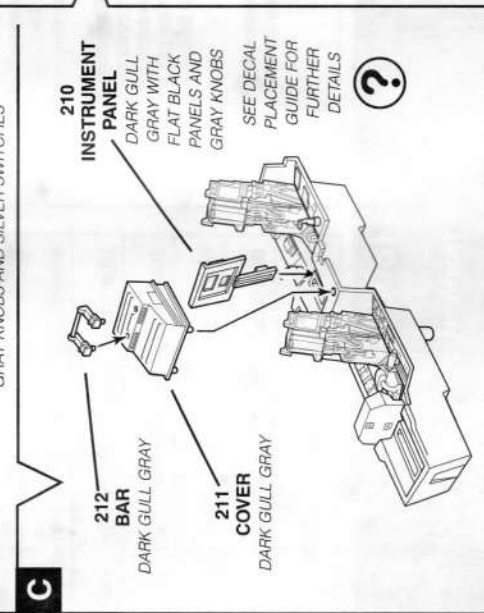
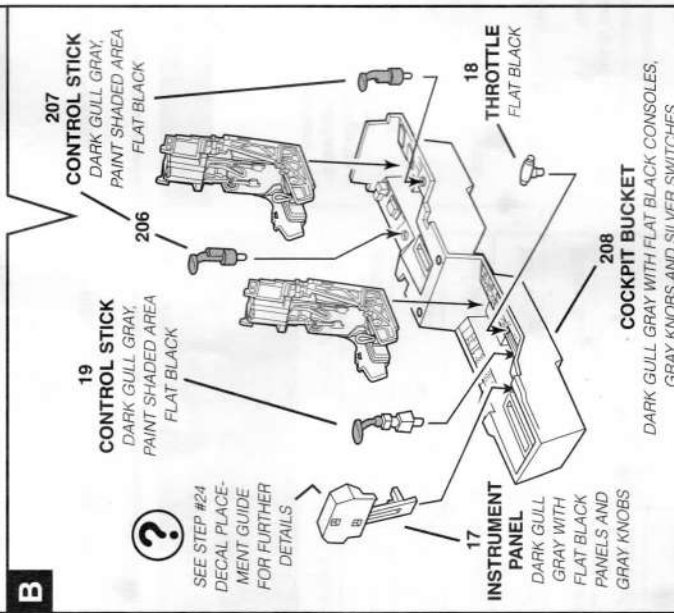
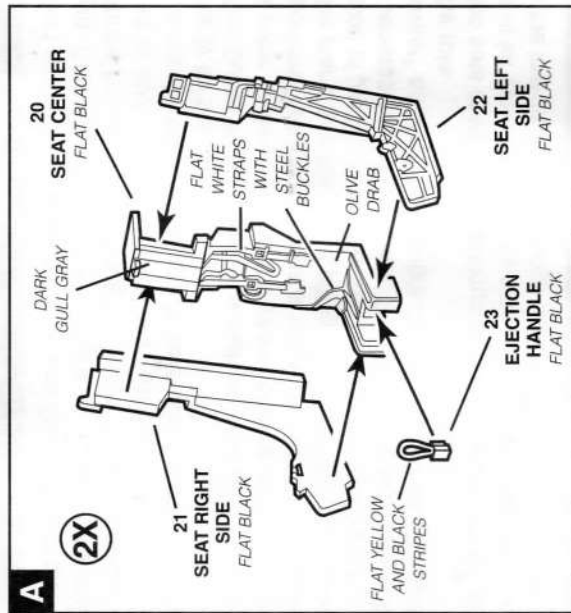
Revell-Monogram Consumer Service Department, 725 Landwehr Road, Northbrook, Illinois 60062

Be sure to include the plan number (85552000200), part number, description, your return address and phone number.

Visit our website: [www.revell.com](http://www.revell.com)

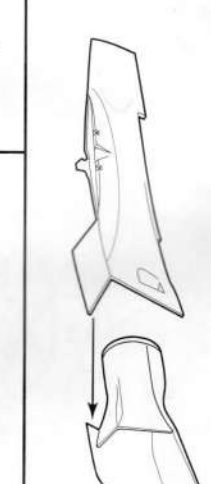
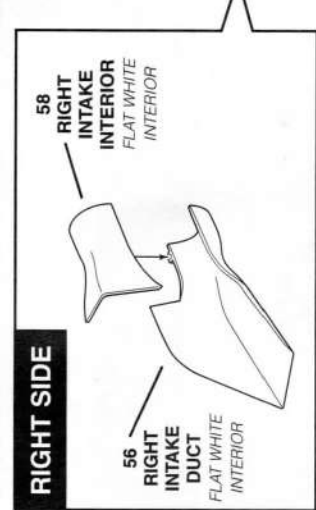
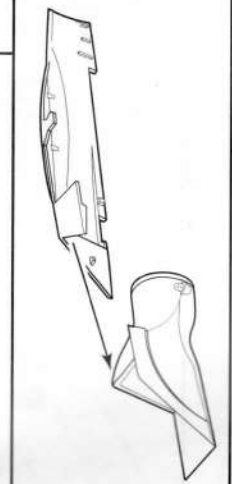
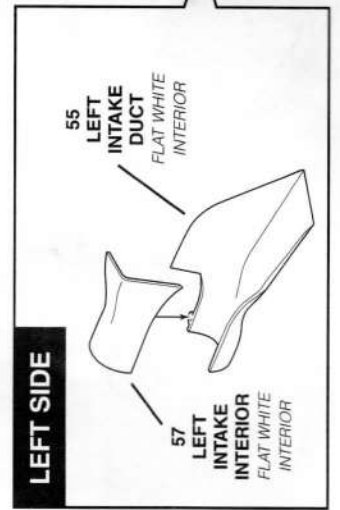
1

# COCKPIT ASSEMBLY



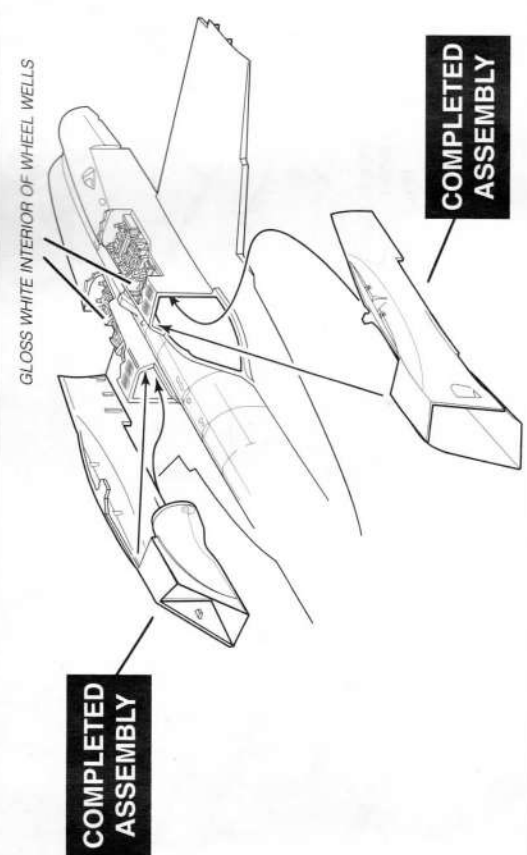
2

# INTAKE ASSEMBLY



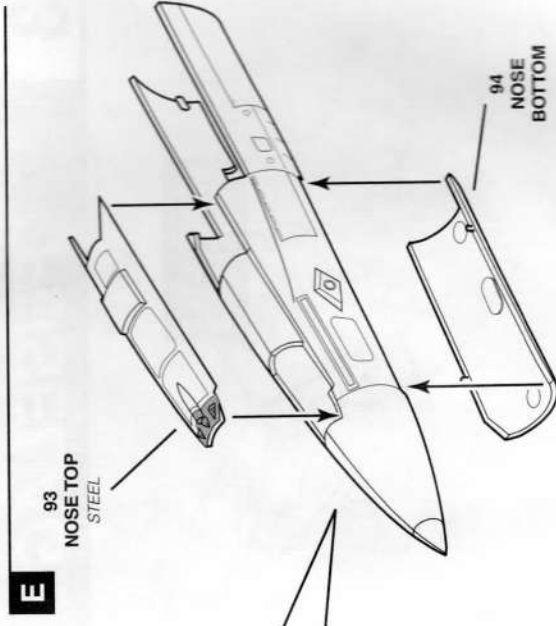
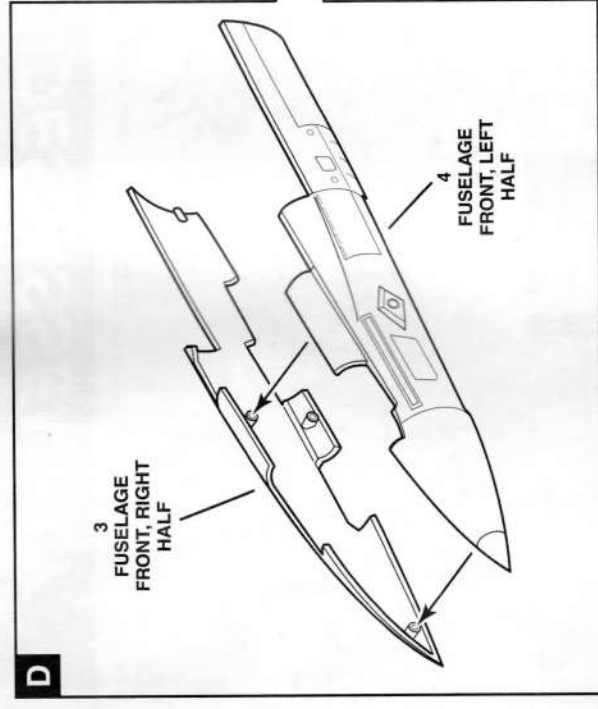
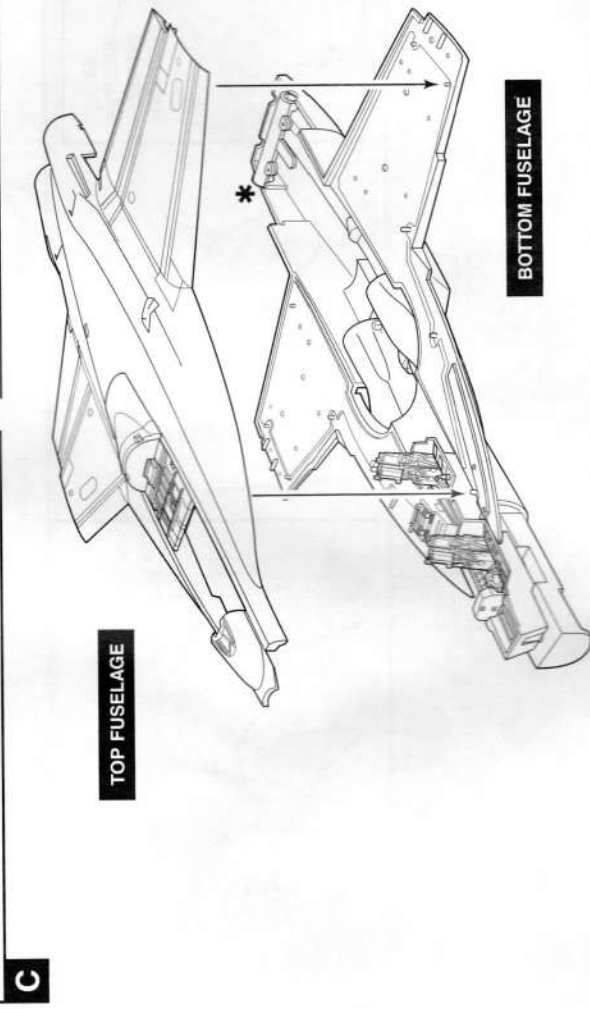
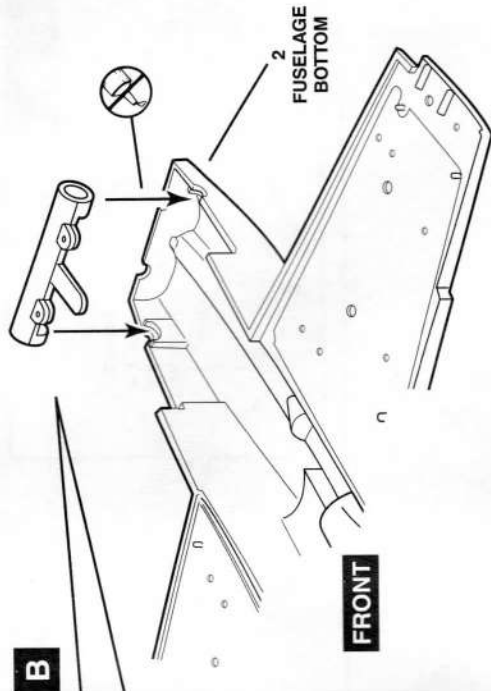
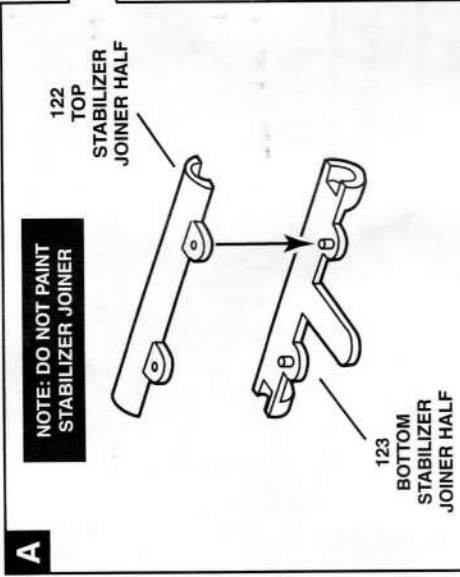
3

# FUSELAGE SIDES ASSEMBLY

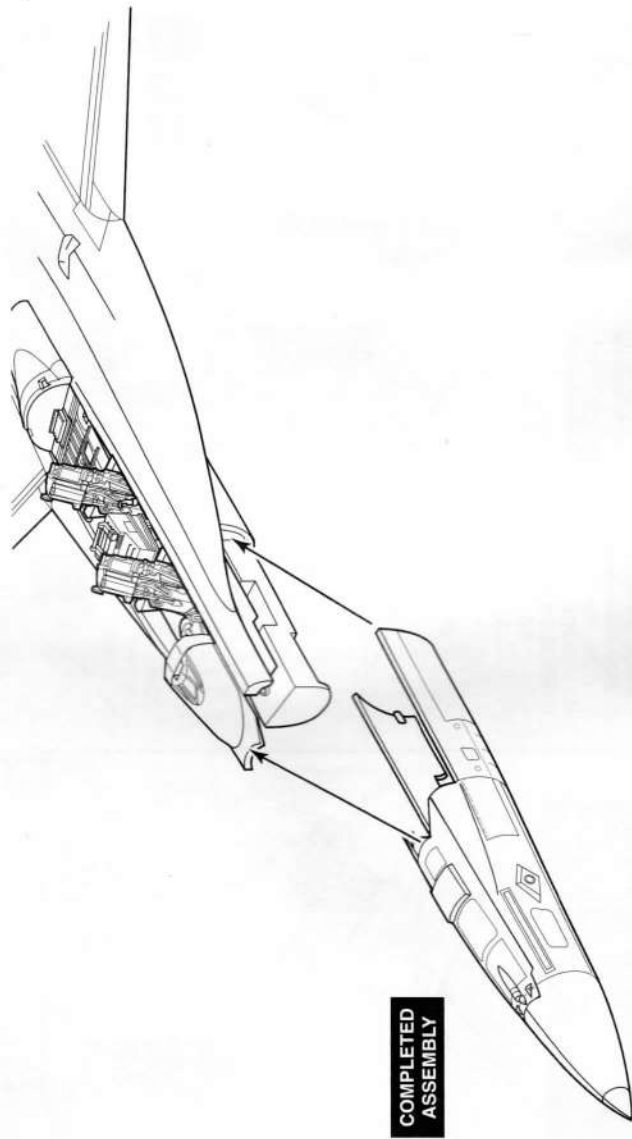




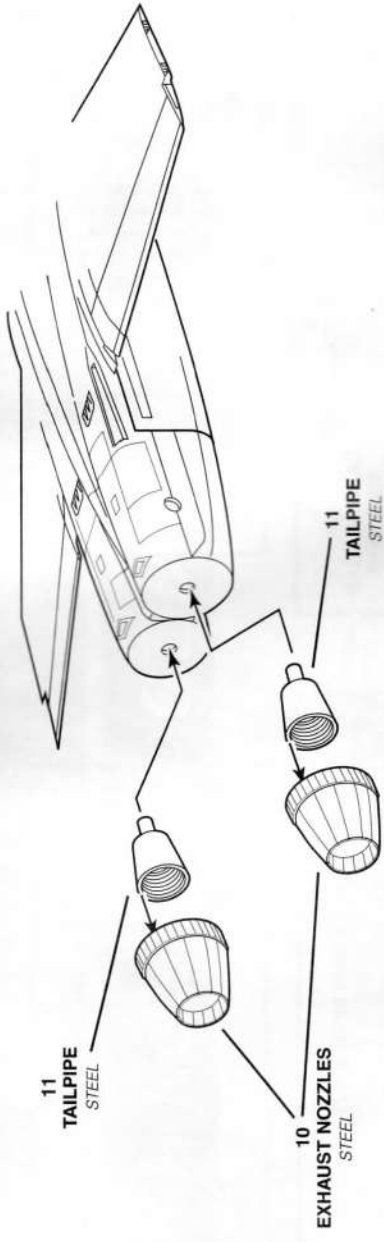
# 4 FUSELAGE AND NOSE ASSEMBLY



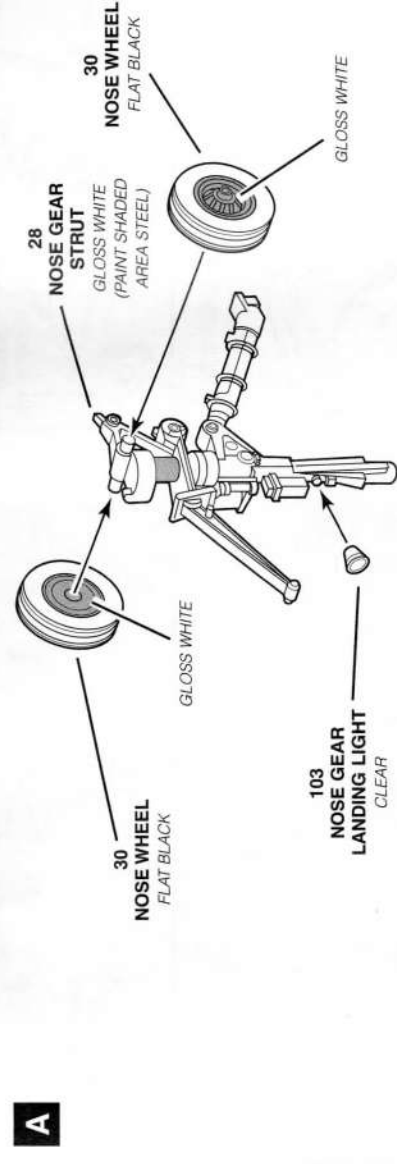
# 5 NOSE TO FUSELAGE ASSEMBLY

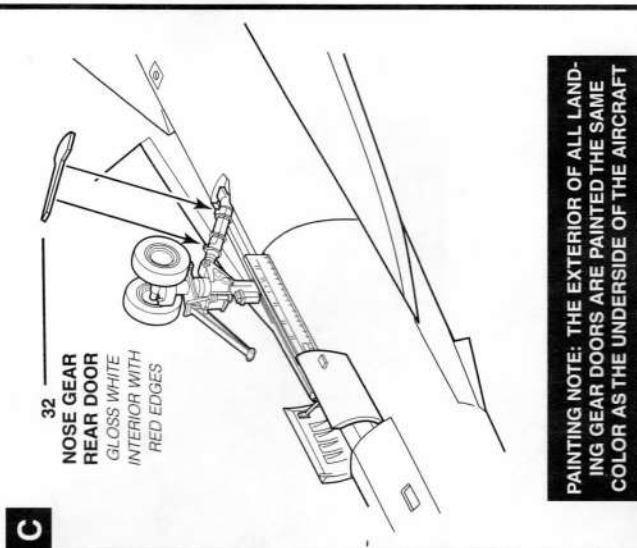
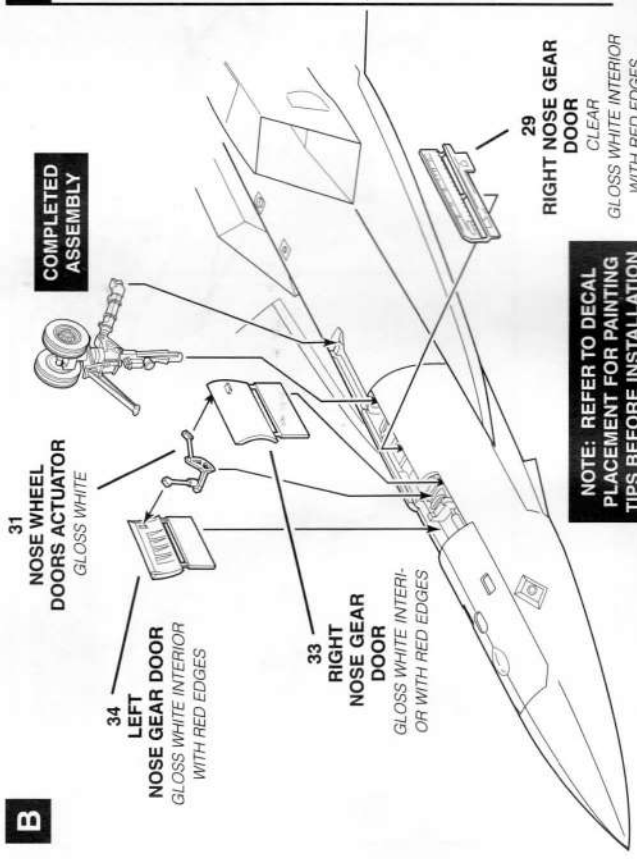


# 6 AFTERBURNERS ASSEMBLY



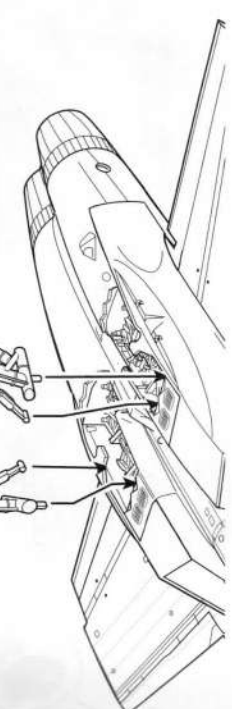
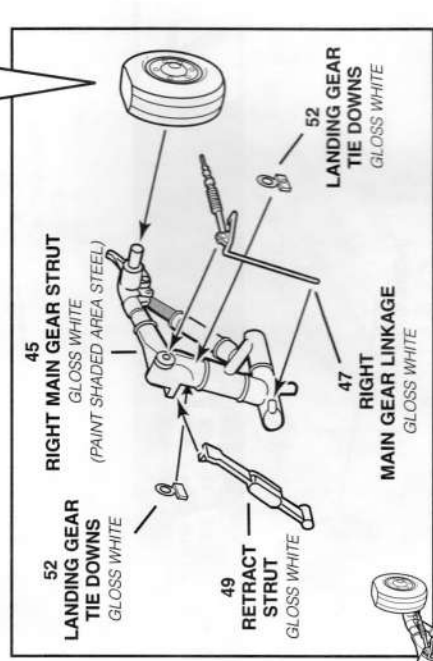
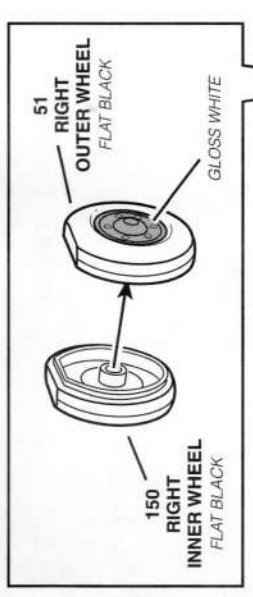
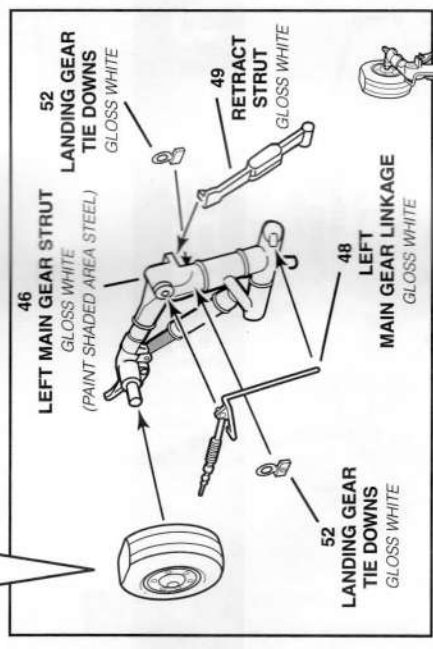
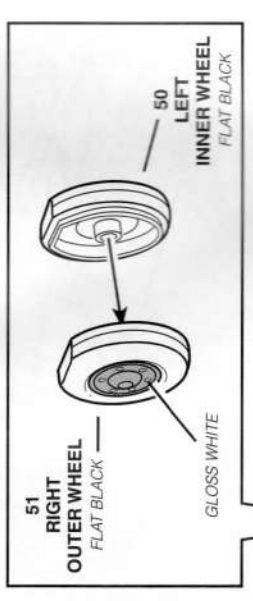
# 7 NOSE GEAR ASSEMBLY



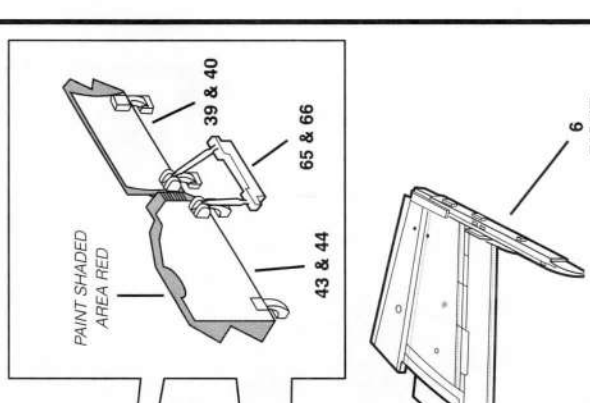
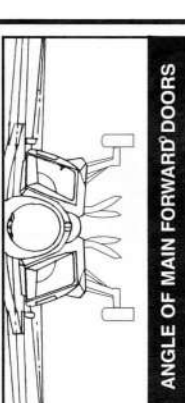
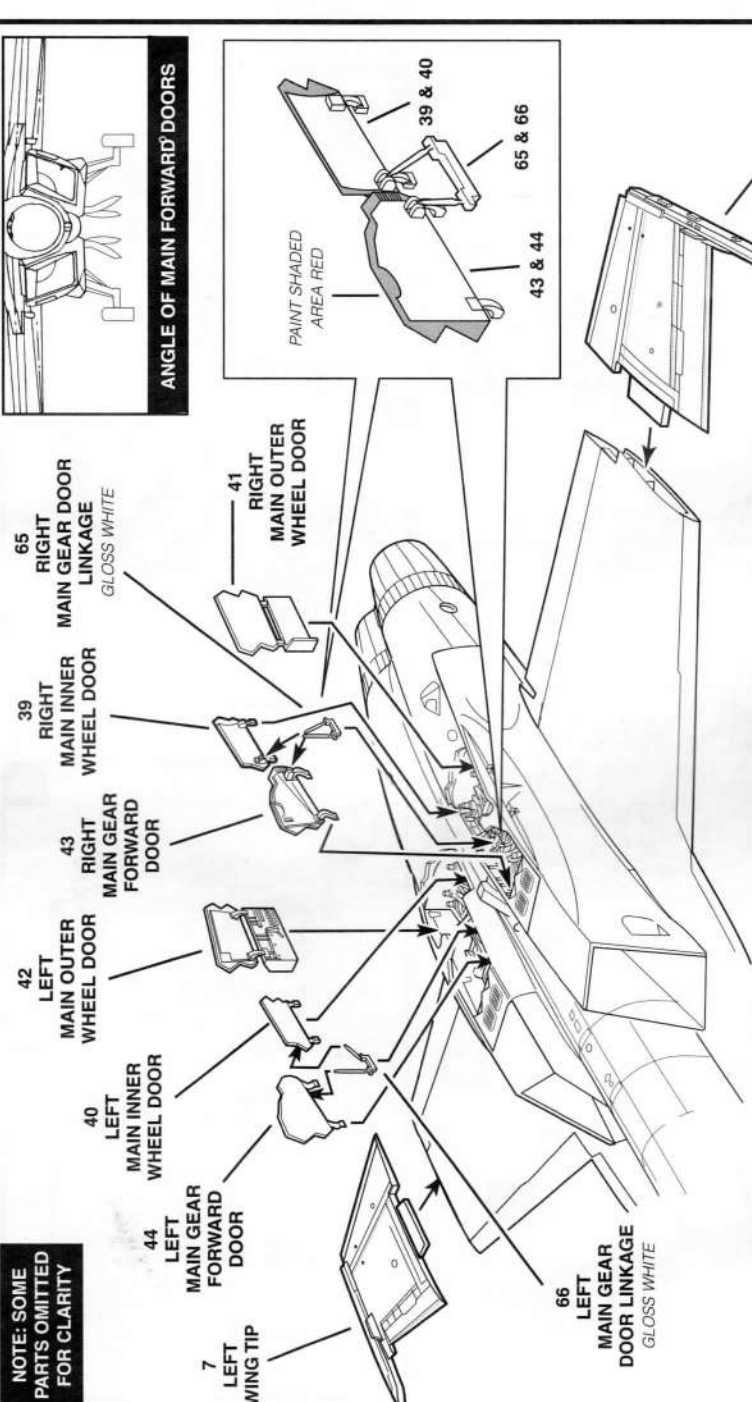


PAINTING NOTE: THE EXTERIOR OF ALL LANDING GEAR DOORS ARE PAINTED THE SAME COLOR AS THE UNDERSIDE OF THE AIRCRAFT

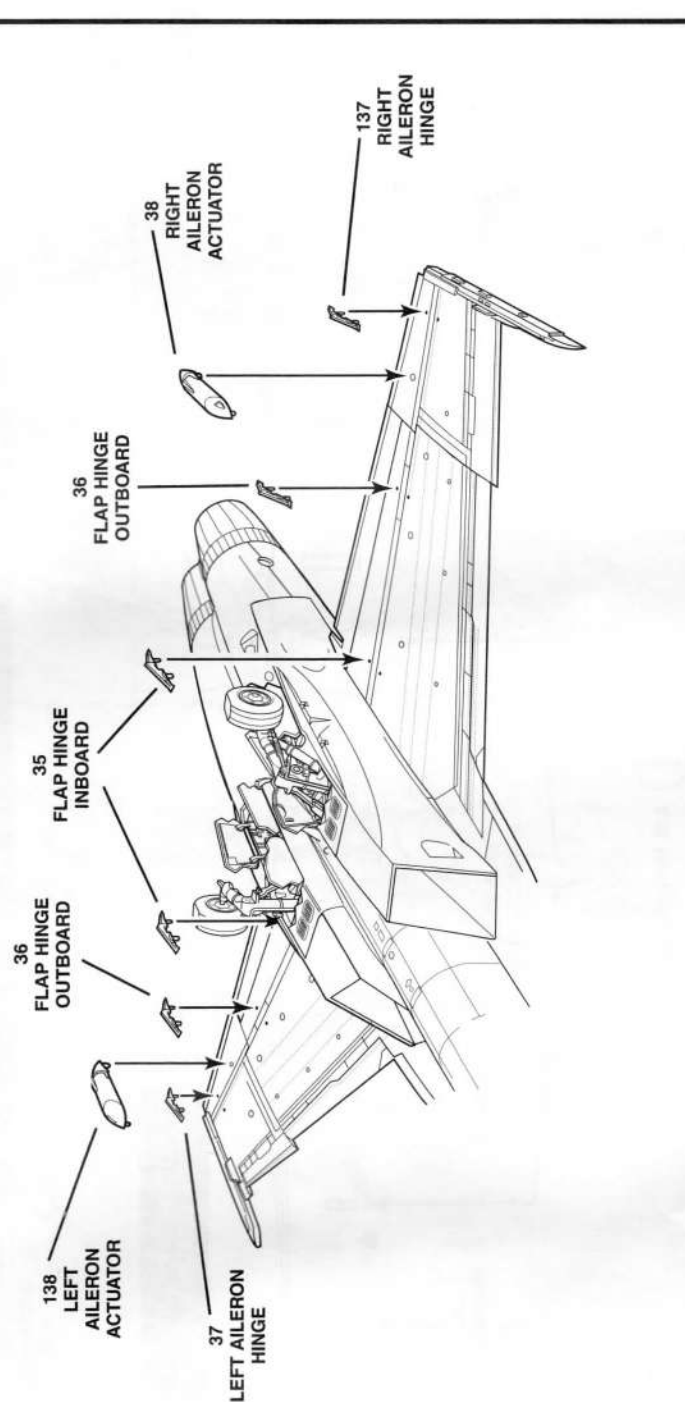
NOTE: REFER TO DECAL PLACEMENT FOR PAINTING TIPS BEFORE INSTALLATION



NOTE: SOME PARTS OMITTED FOR CLARITY



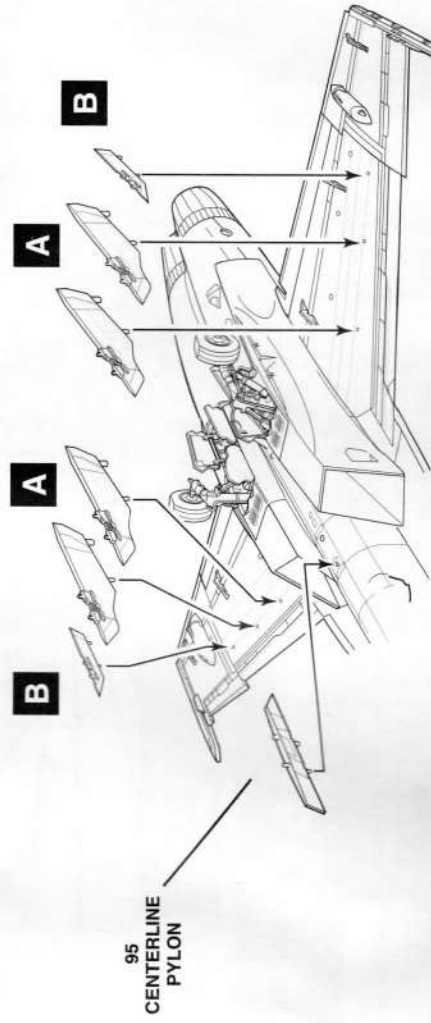
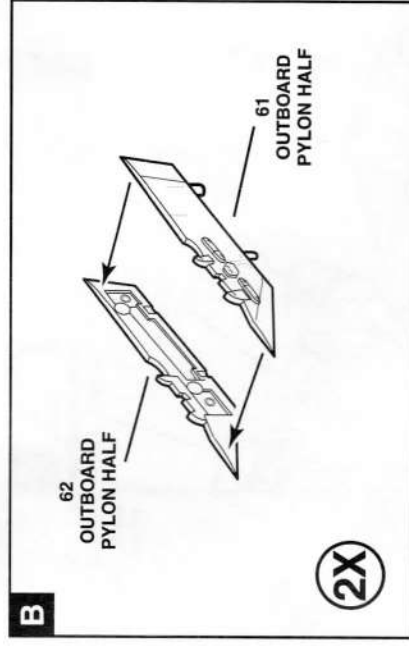
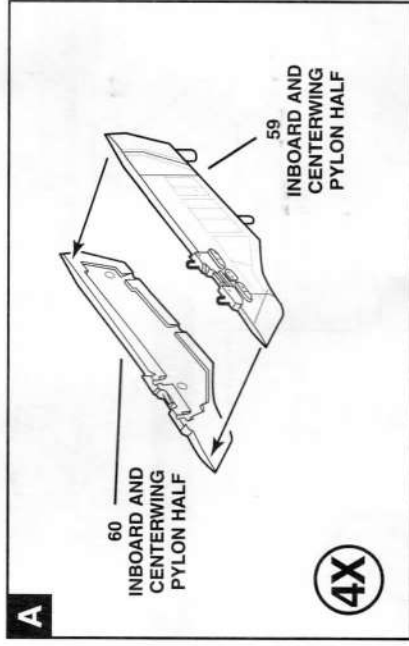
PAINTING NOTE: THE EXTERIOR OF ALL LANDING GEAR DOORS ARE PAINTED THE SAME COLOR AS THE UNDERSIDE OF THE FUSELAGE, THE INTERIOR OF EACH DOOR IS PAINTED RED





10

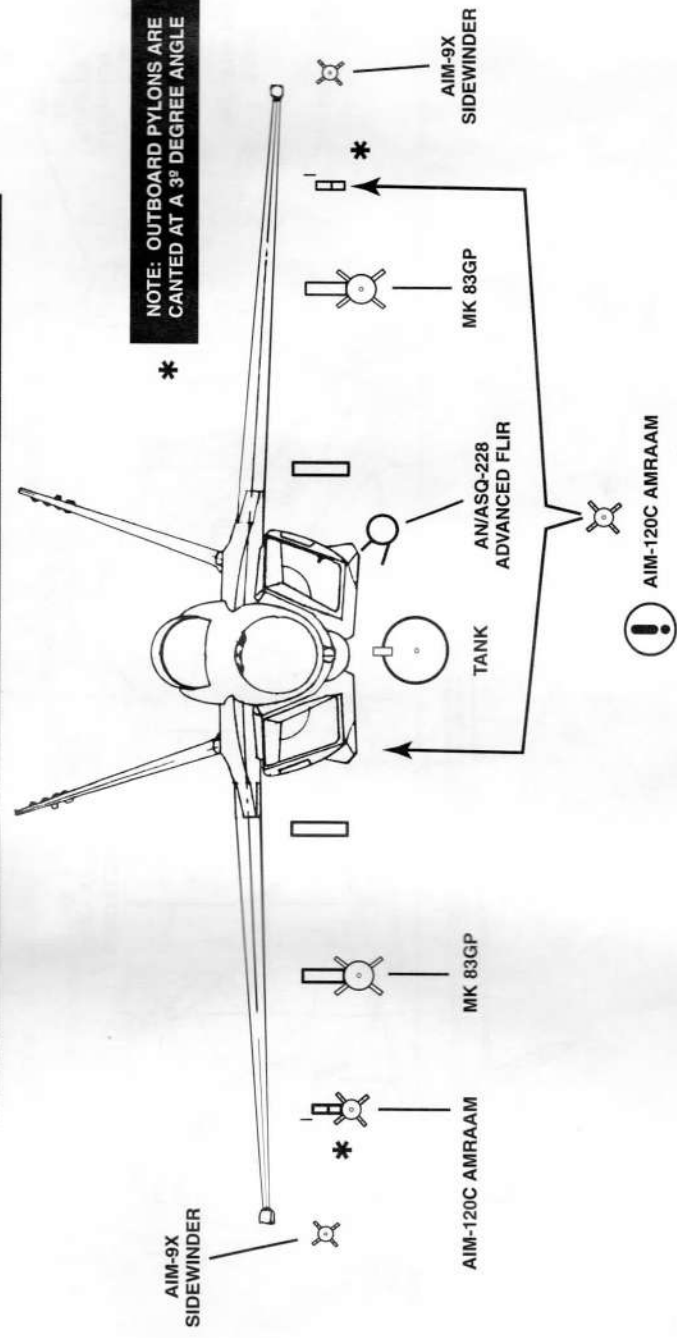
PYLON ASSEMBLY



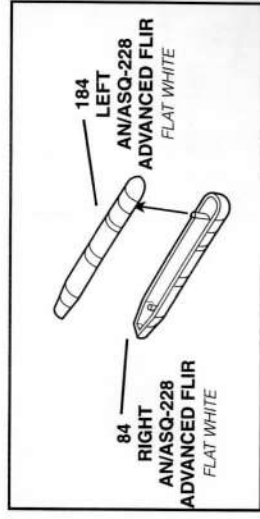
11

ARMAMENT DIAGRAM

PAINTING NOTE: SEE THE PAINTING GUIDE AT THE BACK OF THE INSTRUCTION BOOKLET FOR INFORMATION ON HOW TO PAINT THE BOMBS AND MISSILES AND WHERE TO APPLY DECALS

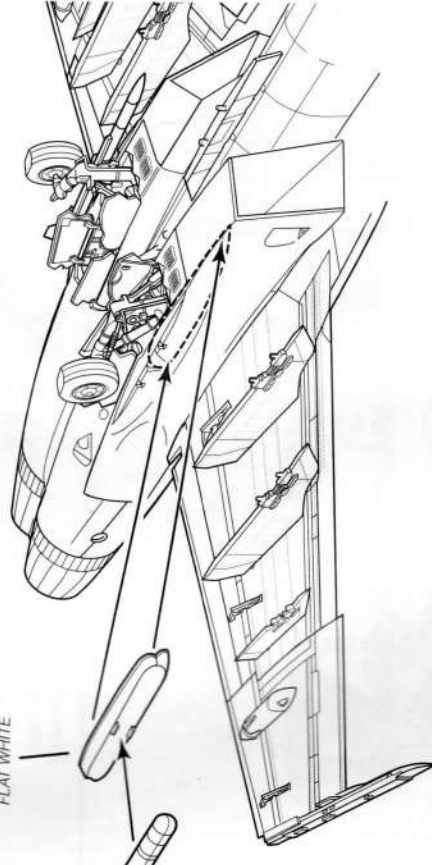


12 AN/ASQ-228 ADVANCED FLIR ASSEMBLY



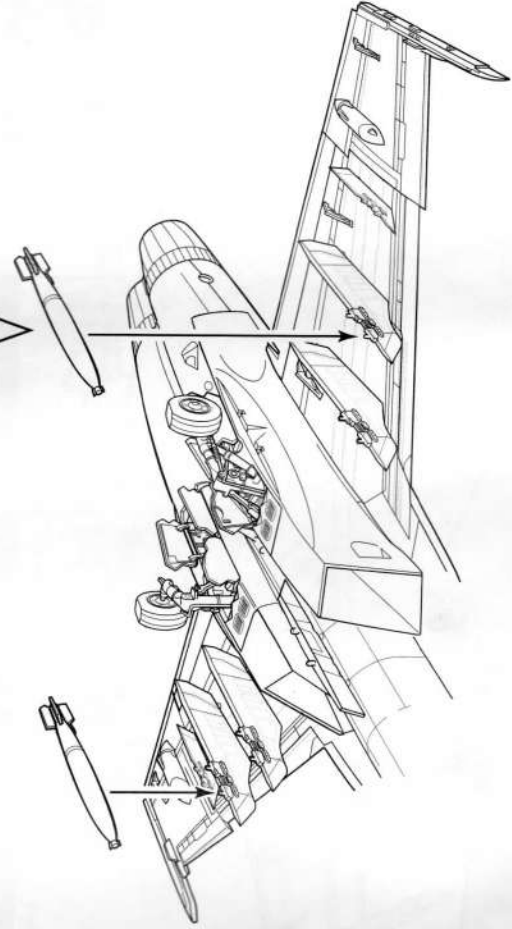
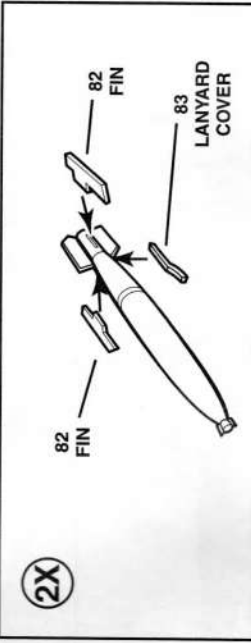
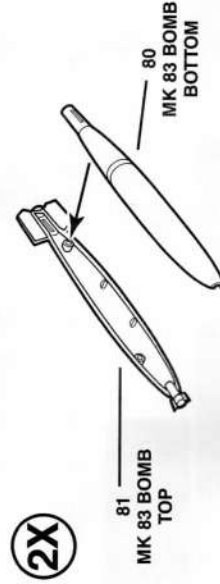
? LEFT SIDE ONLY

85 AN/ASQ-228 MOUNT FLAT WHITE

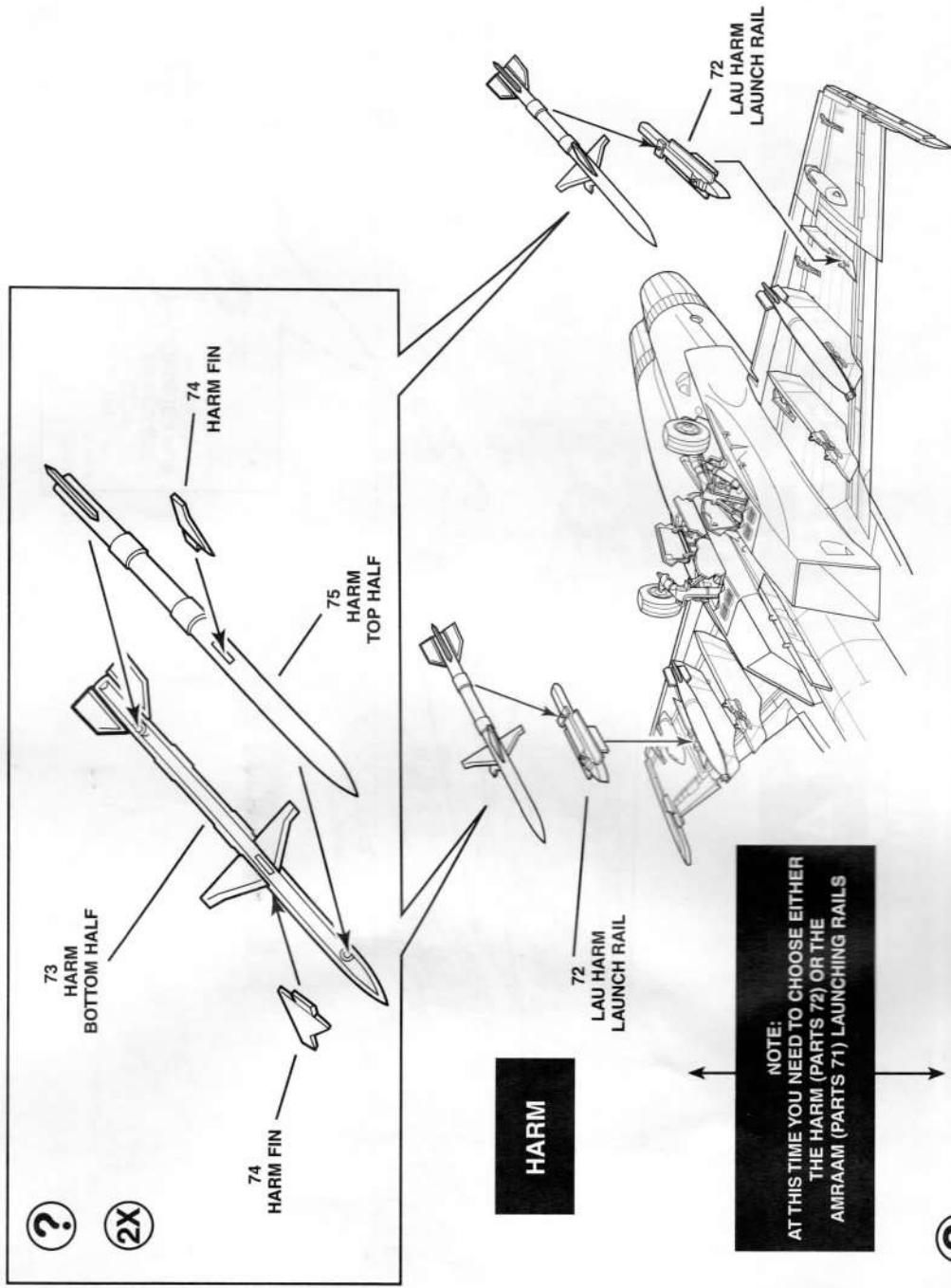


13

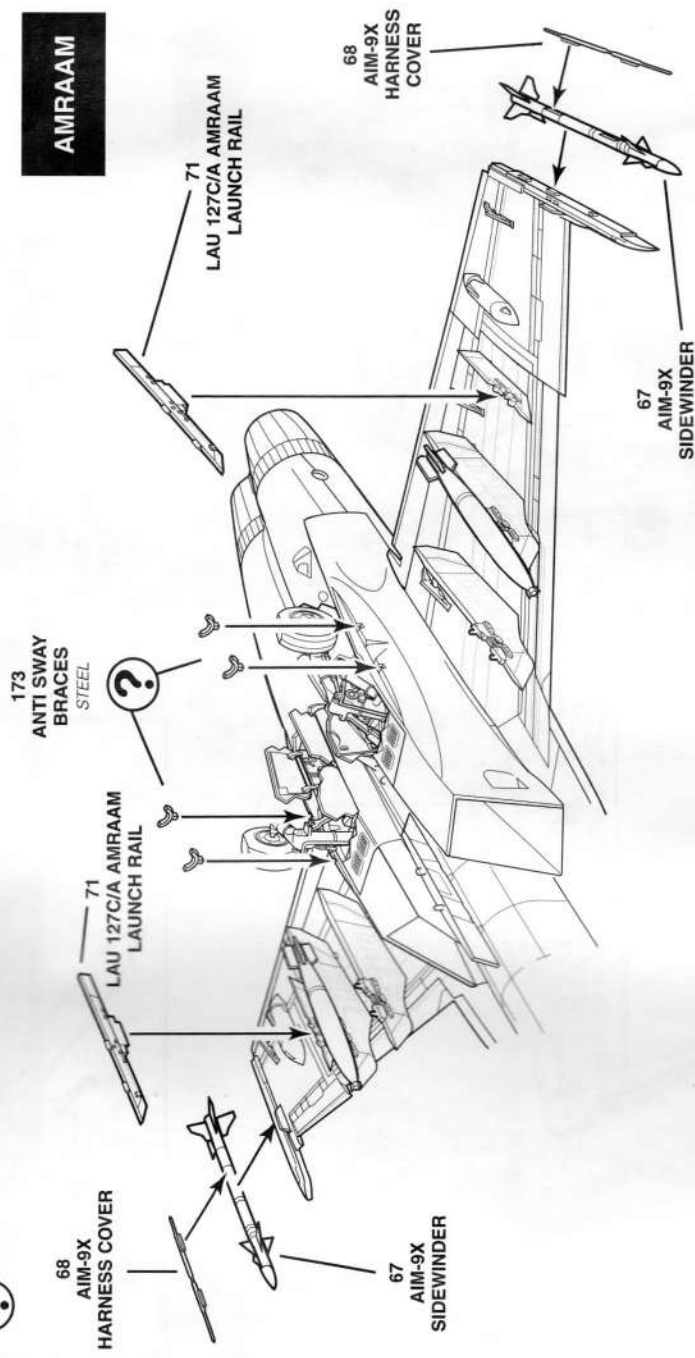
MK 83GP BOMB ASSEMBLY



# 14 ? WEAPONS LAUNCHER ASSEMBLY

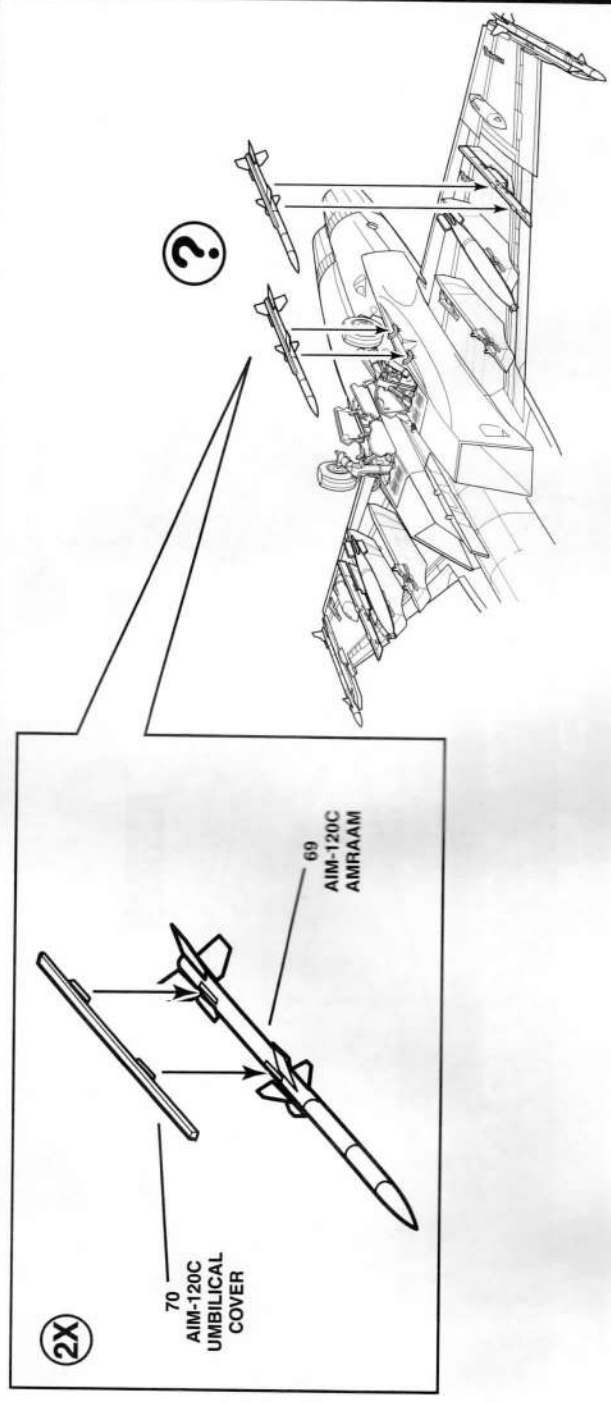


**NOTE:**  
AT THIS TIME YOU NEED TO CHOOSE EITHER  
THE HARM (PARTS 72) OR THE  
AMRAAM (PARTS 71) LAUNCHING RAILS



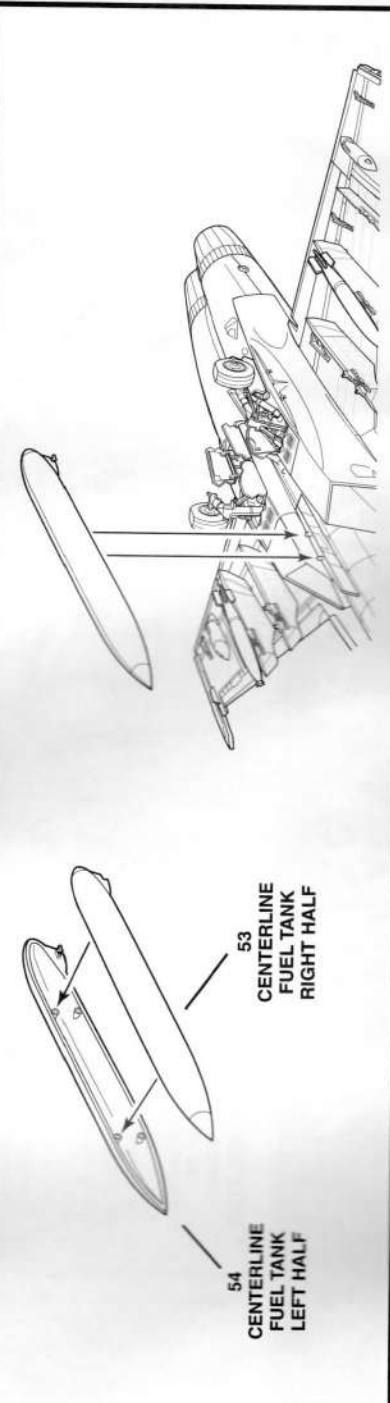
# 15

# AMRAAM MISSILE ASSEMBLY



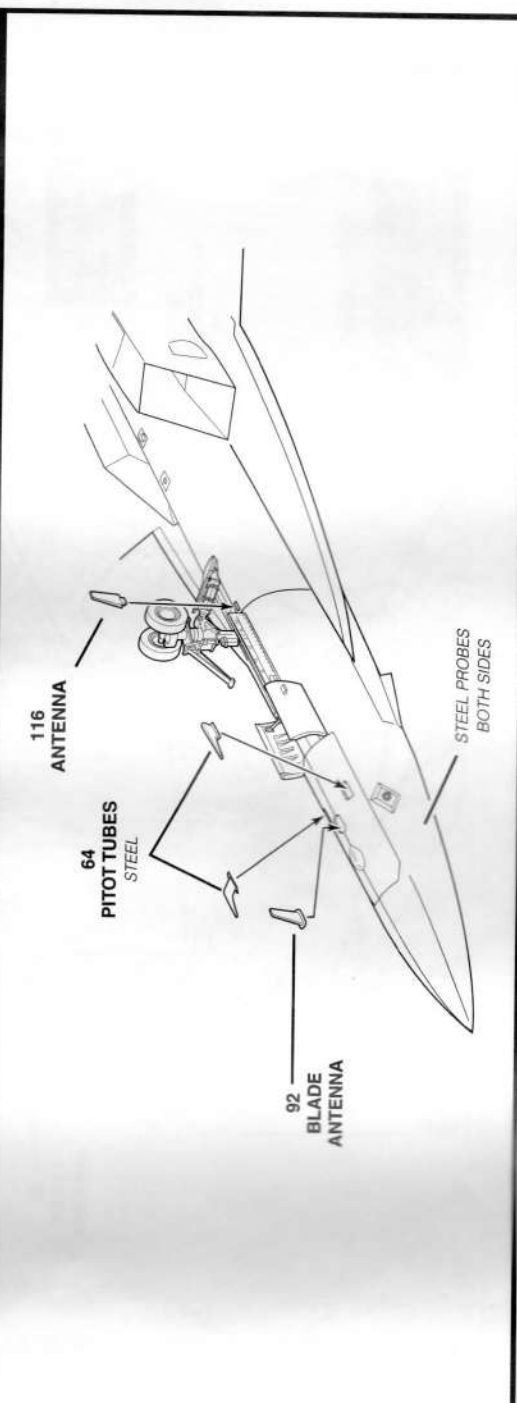
# 16

# TANK ASSEMBLY



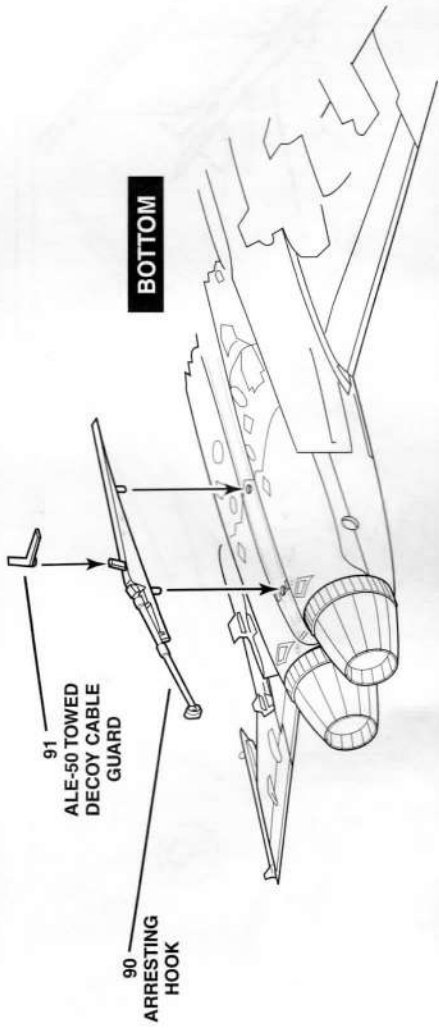
# 17

# PITOT AND ANTENNA ASSEMBLY

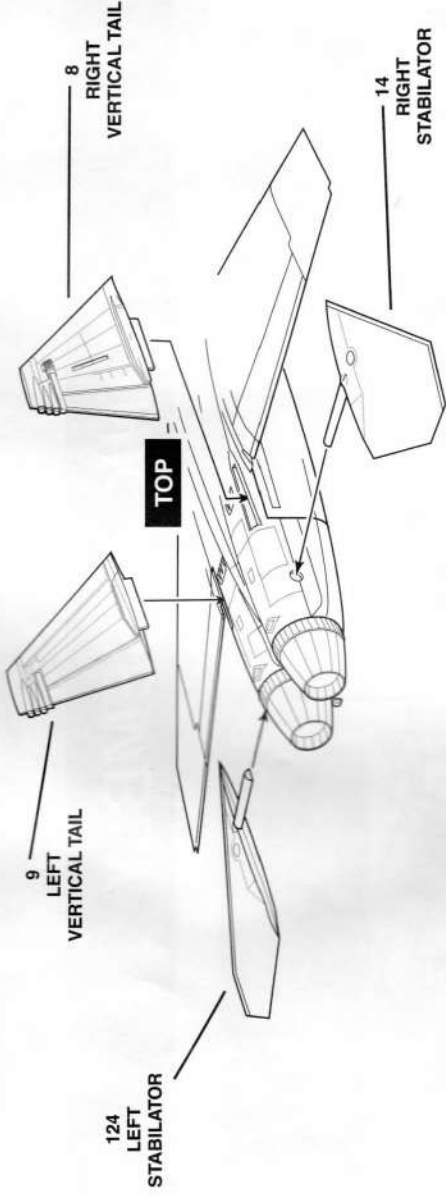




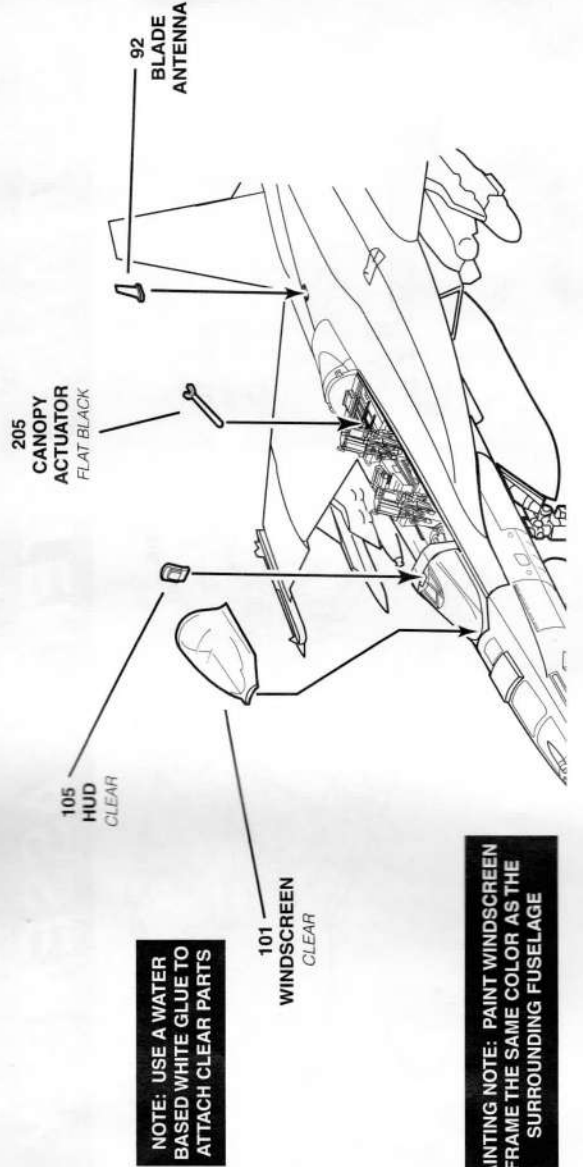
ARRESTING HOOK ASSEMBLY



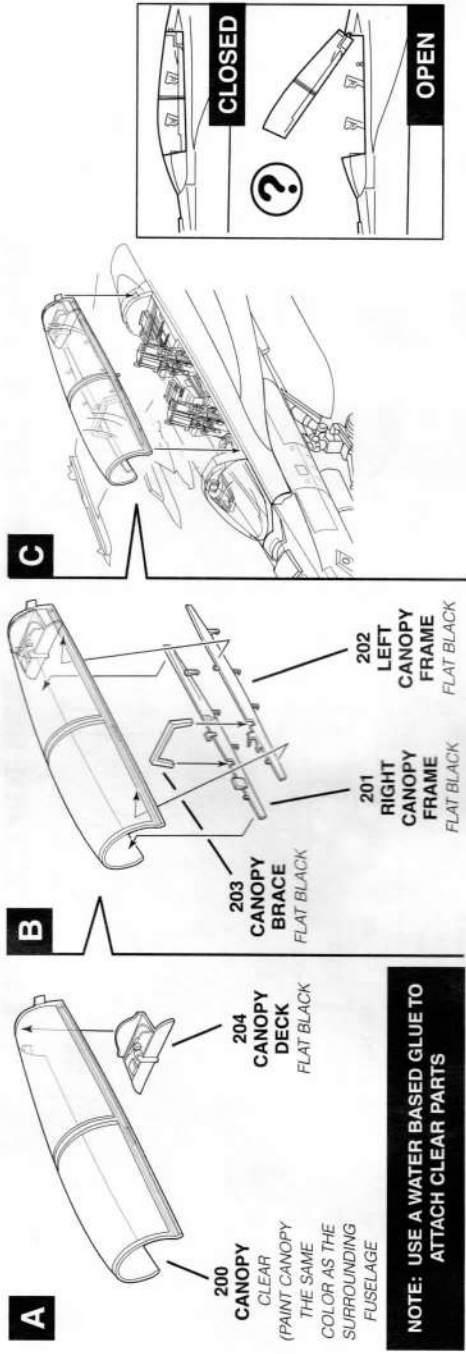
STABILIZER ASSEMBLY



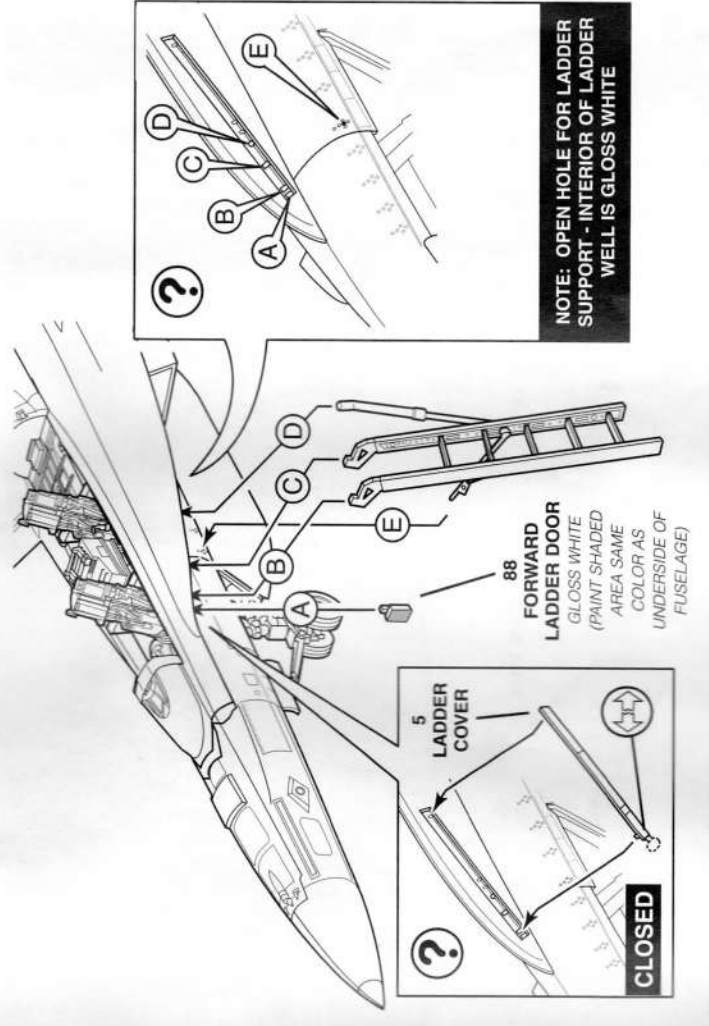
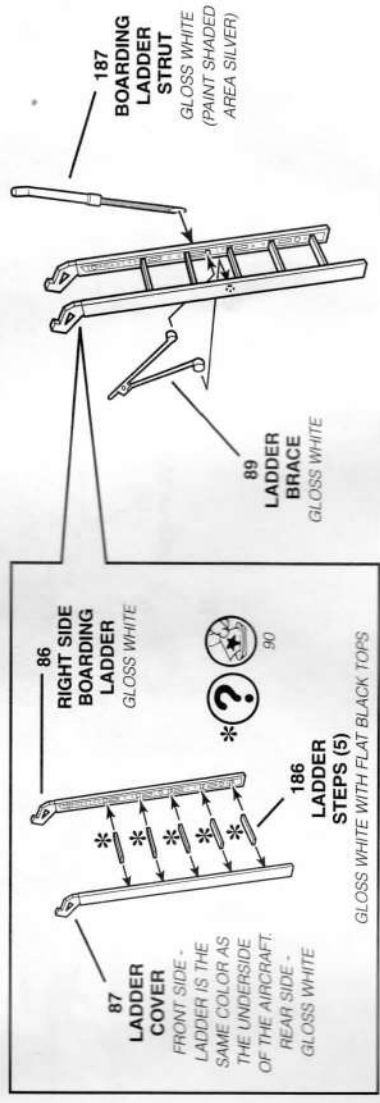
CANOPY ASSEMBLY



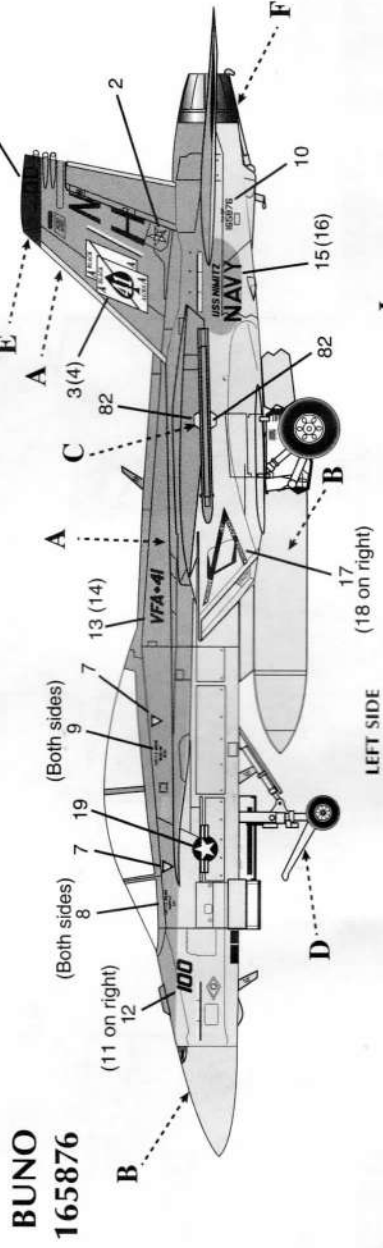
CANOPY ASSEMBLY



LADDER ASSEMBLY

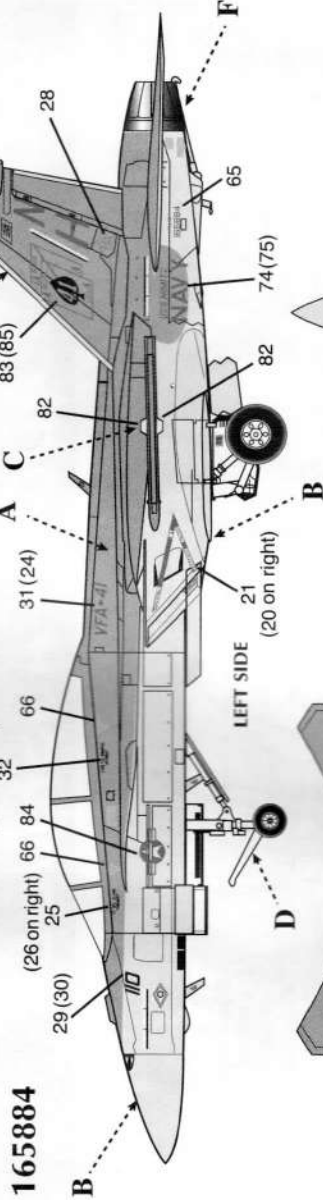


**BOEING F/A-18F, VFA-41, USS NIMITZ, 2003**

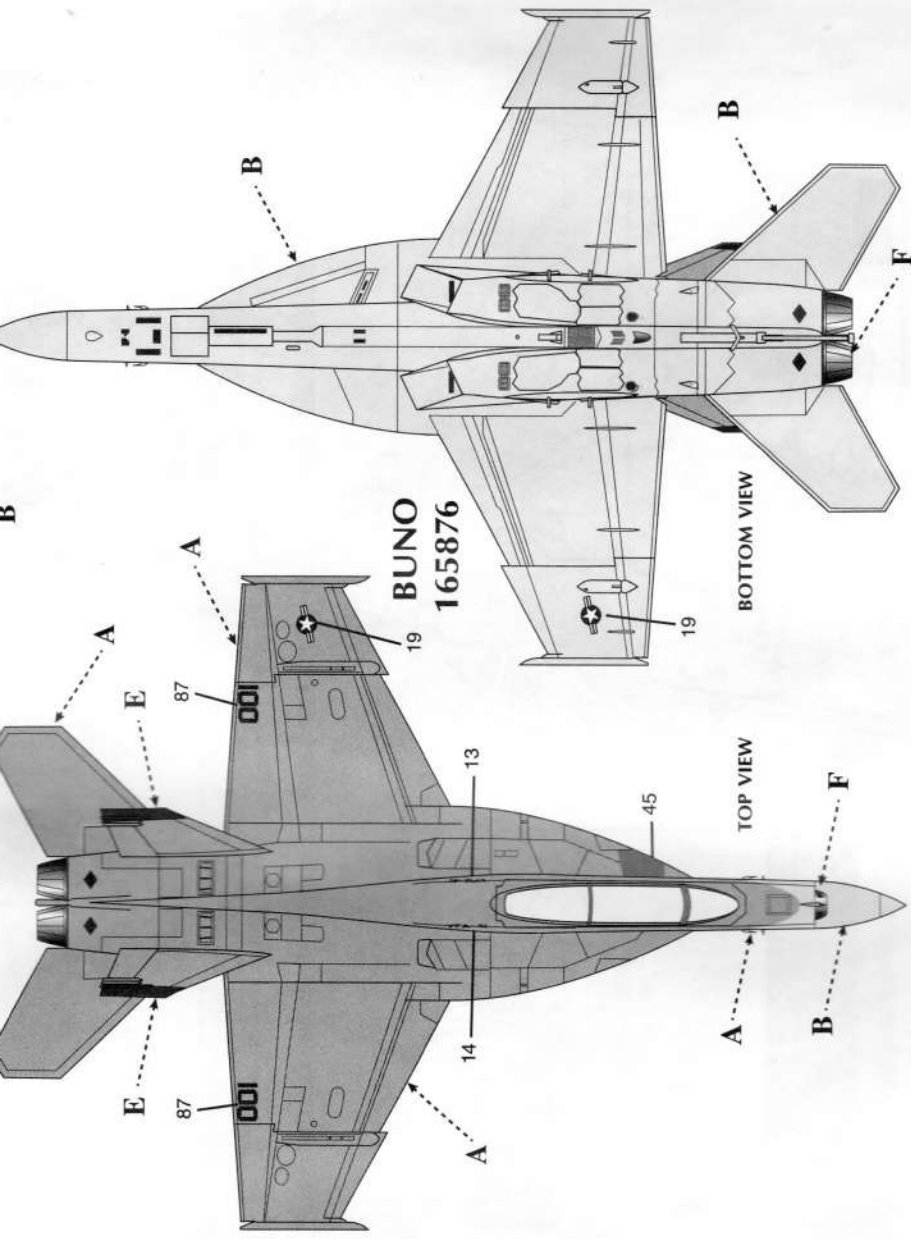


**BUNO 165876**

**BUNO (Low Vis Scheme)**

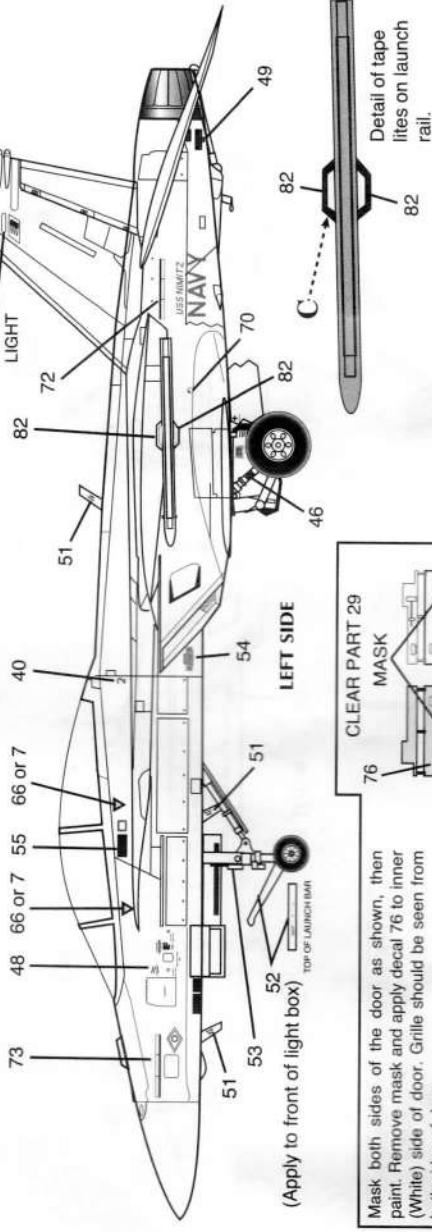


**BUNO 165884**

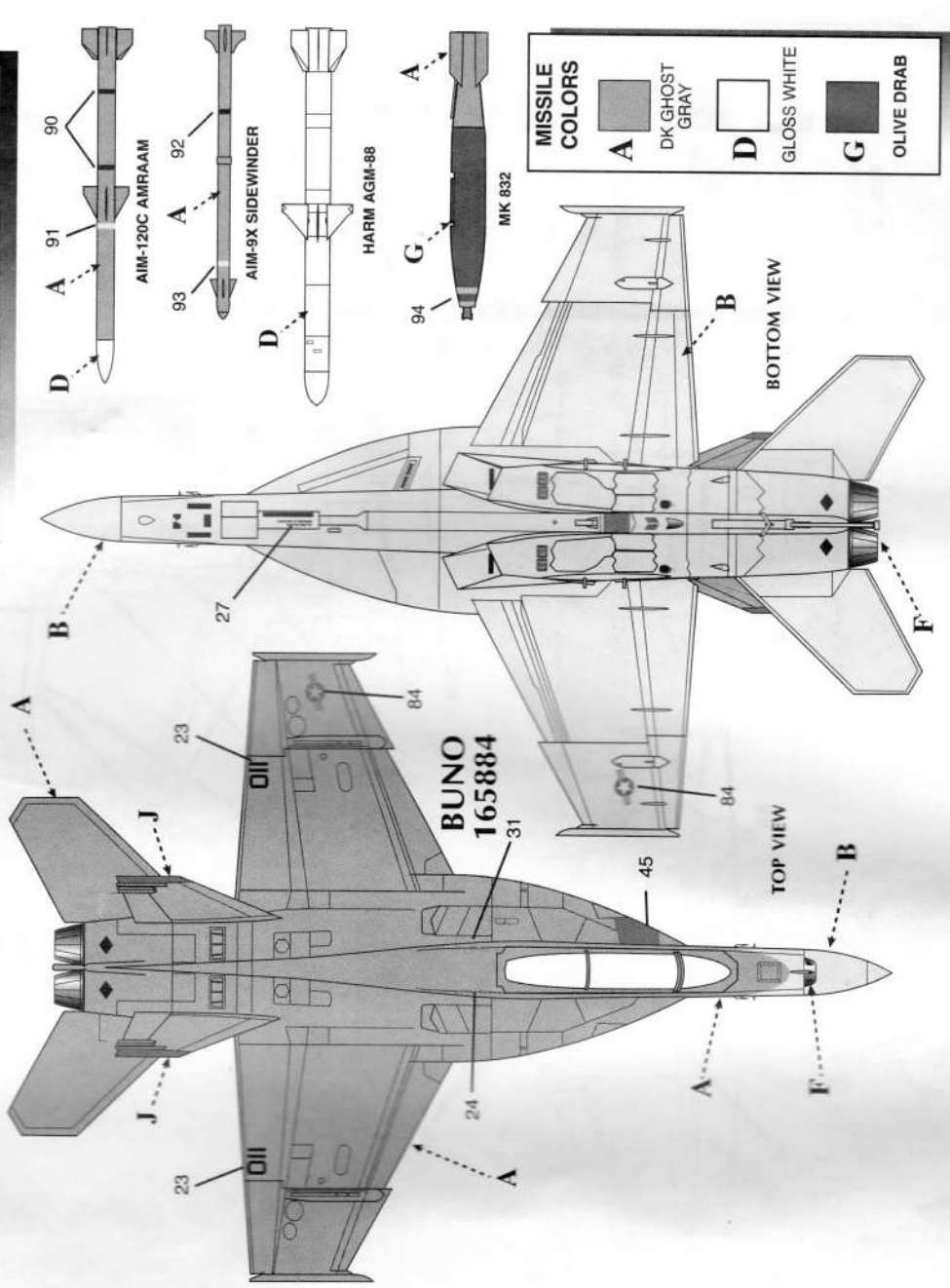
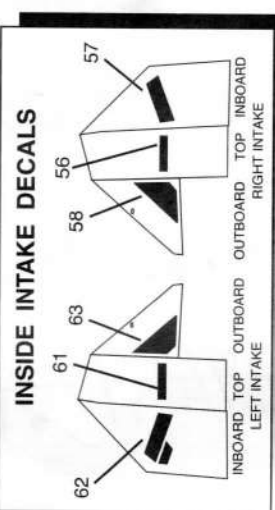


**BUNO 165876**

**TYPICAL STENCIL PLACEMENT**



**INSTRUMENT PANEL DETAILS**  
 BEFORE APPLYING DECALS  
 PAINT PANEL AS SHOWN  
 CUT INSTRUMENT DECALS AS SHOWN BY DOTTED LINES  
 Panel 1A= power off  
 Panel 1B= power on

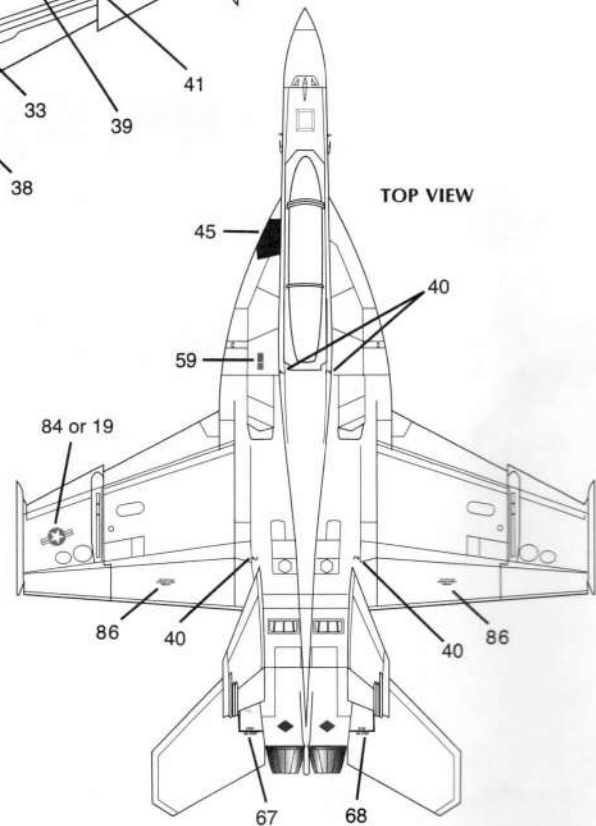
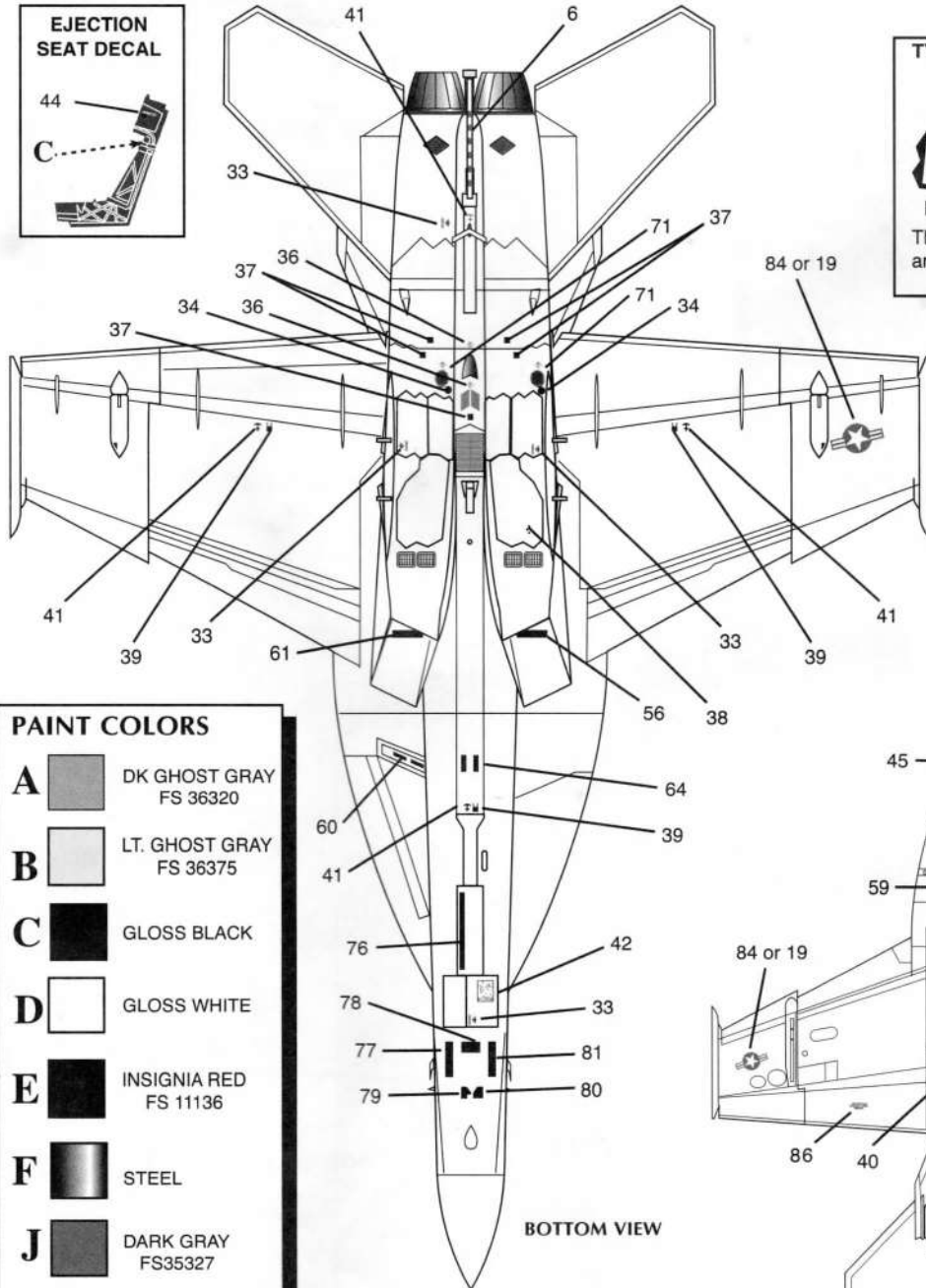
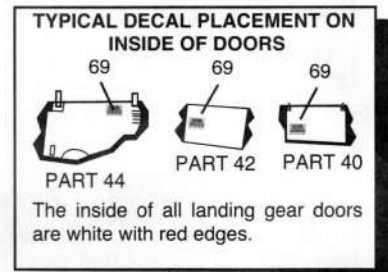
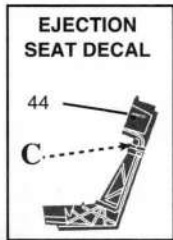
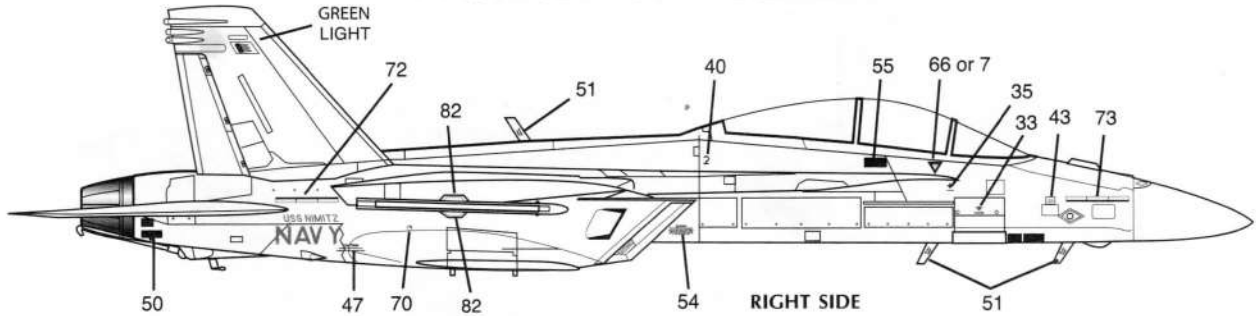


**MISSILE COLORS**  
 A DK GHOST GRAY  
 D GLOSS WHITE  
 G OLIVE DRAB

**BUNO 165884**



## TYPICAL STENCIL PLACEMENT



**PAINT COLORS**

- A** DK GHOST GRAY FS 36320
- B** LT. GHOST GRAY FS 36375
- C** GLOSS BLACK
- D** GLOSS WHITE
- E** INSIGNIA RED FS 11136
- F** STEEL
- J** DARK GRAY FS35327