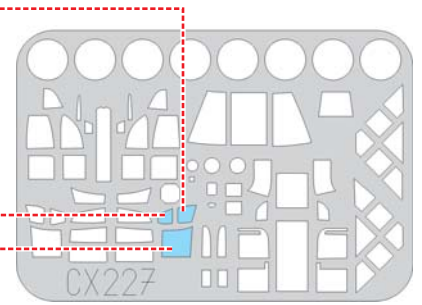
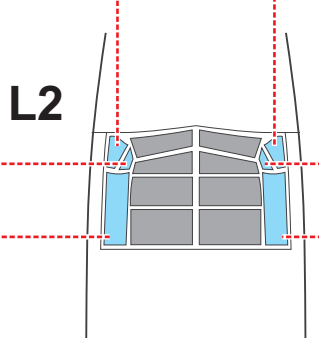
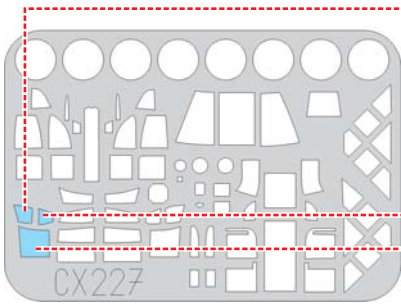
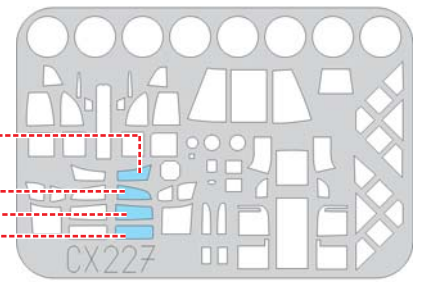
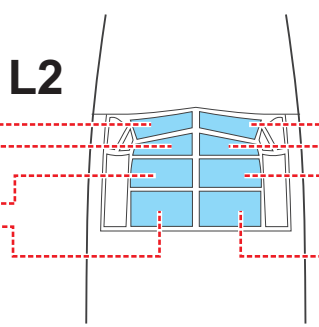
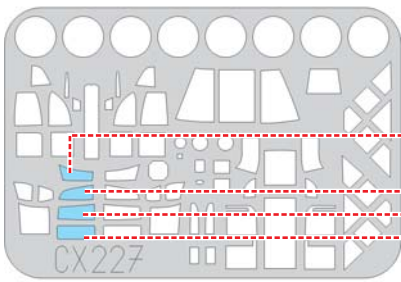
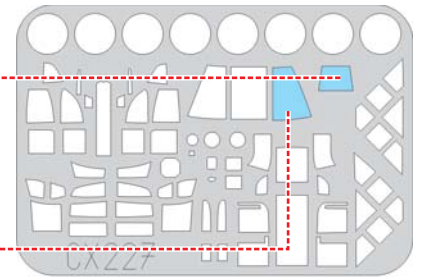
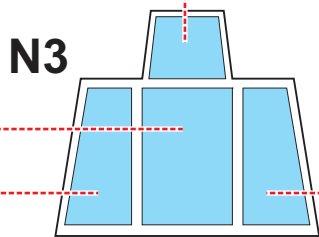
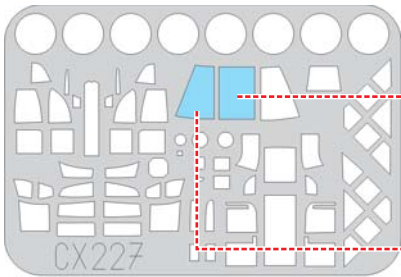
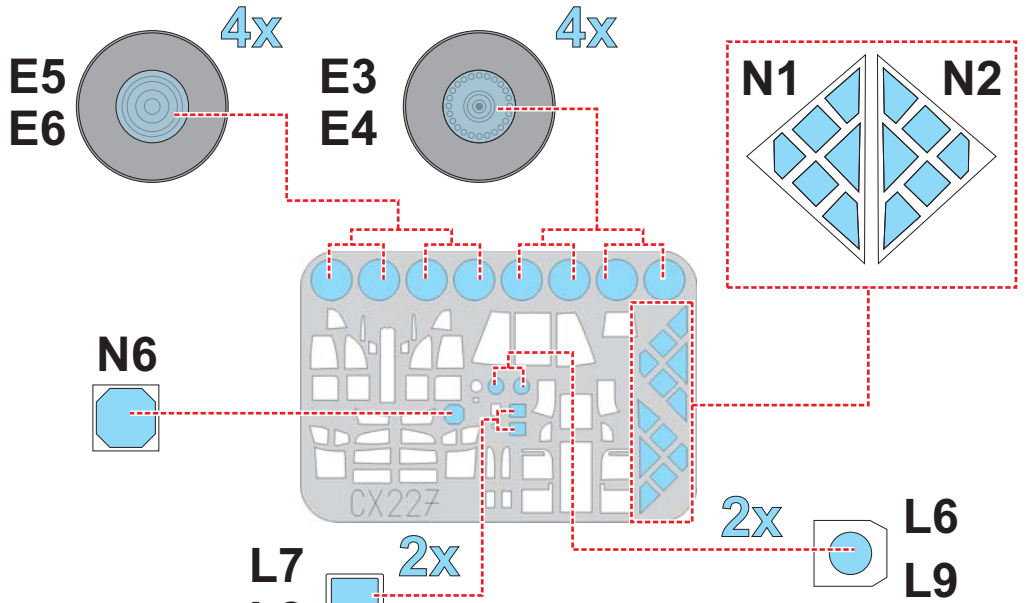
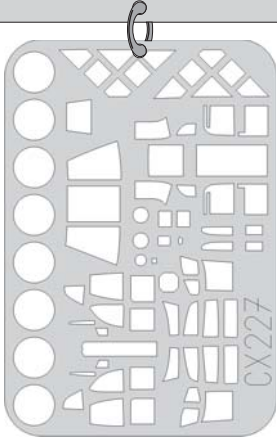


eduard
MASK

CX 227

Wellington Mk.III 1/72

The die-cut mask for accurate canopy frame painting of the
Trumpeter scale 1/72 KIT



L2

L2

N3

