

The space shuttle "Discovery" was the fourth vehicle delivered to NASA under the current space transportation system program. The aircraft-like shuttle orbiters are the first reusable space vehicles ever created. It is an incredible space exploration creation that hurtles into space propelled by millions of pounds of thrust, and returns to earth in a supersonic descent like a typical aircraft.

The tragic loss of the shuttle orbiter "Challenger" stands as proof that flights of exploration will always be fraught with danger. The 1/144th scale Revell model of the orbiter "Discovery" captures the familiar shapes of this unique aircraft. Similar in size to the McDonnell-

Douglas DC-9, this blunt-nosed, delta wing creation is an incredible advancement in the development of spacecraft. From the detailed landing gear to the powerful main engine exhaust nozzles and the ungainly vertical stabilizer, the shuttle orbiter is a most unusual flying machine. The dual cargo bay doors pivot open to reveal the long cargo bay. This model is molded in white and clear plastic, and it contains orbiter decals for the entire NASA orbiter fleet.

Celebrate the rebirth of the space shuttle voyages of "Discovery" with Revell's award-winning shuttle orbiter model kit.

ENGLISH: ASSEMBLY DRAWINGS SHOULD BE REVIEWED BEFORE PROCEEDING WITH CONSTRUCTION. A NUMBER IDENTIFIES EACH PLASTIC PART FOR YOUR CONVENIENCE. PAINT SMALL PARTS ON RUNNER BEFORE REMOVING. ALLOW PAINT TO DRY THOROUGHLY BEFORE CONTINUING ASSEMBLY OF KIT. SCRAPE CHROME OR PAINT AT AREA TO BE GLUED. WASH PLASTIC IN MILD DETERGENT SOLUTION. RINSE AND LET AIR DRY FOR BETTER PAINT AND DECAL ADHESION.

DEUTSCH: VOR DEM ZUSAMMENBAU DIE BAUANLEITUNG GUT DURCHLESEN. JEDES TEIL IST NUMMERIERT. KLEINE TEILE ANSTREICHEN BEVOR SIE VOM RAHMEN ENTFERNT WERDEN. FARBEN GUT TROCKNEN, ERST DANN MIT DER ZUSAMMENSTELLUNG FORTSETZEN. CHROM UND FARBE AN DEN KLEBEFLÄCHEN ENTFERNEN. PLASTIKTEILE IN EINER MILDEN WASCHMITTELÖSUNG REINIGEN UND AN DER LUFT TROCKNEN, DAMIT FARBE UND ABZIEHBILDER BESSER HAFTEN.

Français: EXAMINER LES SCHEMAS D'ASSEMBLAGE AVANT DE COMMENCER LA CONSTRUCTION. UN NUMERO IDENTIFIE CHAQUE PIECE DE PLASTIQUE POUR PLUS DE FACILITE. PEINDRE LES PETITES PEICES SUR LE SUPPORT AVANT DE LES ENLEVER. LAISSER LA PEINTURE SECHER COMPLETEMENT AVANT DE CONTINUER L'ASSEMBLAGE DU KIT. GRATTER LE CHROME OU LA PEINTURE SUR LES SURFACE A COLLER. LAYER LE PLASTIQUE DANS UNE SOLUTION DE DETERGENT LEGERE, RINCER ET LAISSER SECHER A L'AIR POUR UNE MEILLEURE ADHERENCE DE LA PEINTURE ET DES DECALS.

NEDERLANDS: BESTUDEER DE MONTAGE TEKENINGEN. VOORDAT U MET BOUWEN BEGINT. VOOR UW GEMAK, IDENTIFICEERT EEN NUMMER ELK PLASTIC DEEL. VERF KLEINE DEELTJES OP KIBOOM VOORDAT U ZE VERWYDERD. LAAT VERF GRONDIG DROGEN VOORDAT U DE MONTAGE VAN HET MODEL VOORTZET. SCHRAP CHROOM OF VERF VAN HET GEDEELTE DAT GELYMD WORDT. WAS PLASTIC MET EEN ZACHTE ZEEP, SPOEL AF, EN LAAT IN LUCHT DROGEN, ZODAT VERF EN DECAL BETER PLAKKEN.

SVENSKA: IHOPSÄTTNINGSSKISSEN BÖR GRANSKAS INNAN IGÅNGSÄTTANDE AV BYGGANDET. ETT NUMMER IDENTIFIKERAS VARJE PLASTDEL FÖR DIN EGEN BEKVÄMLIGHET. MALA DE SMA BITARNA DIREKT PÅ FARAN INNAN DE TAS BORT. LÅT FÄRGEN TORKA GRUNDLIGT INNAN FORTSÄTT BYGGANDE. SKRAPA AV KROMEN ELLER MALA PÅ DELARNA SOM SKALL KLISTRAS. TVÄTTA PLASTEN I MILD TVÄTTMEDELÖSNING, SKOJ OCH LUFTTORKA FÖR BÄTTRE FASTANDE AV FÄRG OCH DEKALER.

ESPAÑOL: DIBUJOS DE ENSAMBLAJE DEBEN SER REPASADOS ANTES DE SEGUIR CON LA CONSTRUCCION. UN NUMERO IDENTIFICA CADA PARTE DEL PLASTICO PARA SU CONVENIENCIA. PINTÉ PARTES PEQUEÑAS DEL KIT ANTES DE QUITARLAS. DEJE SECAR BIEN LA PINTURA ANTES DE SEGUIR EL ENSAMBLAJE. RASPE EL CROMO O LA PINTURA DEL SITIO ANTES DE SER PEGADO. LAVE EL PLASTICO EN UNA SOLUCION SUAVE DETERGENTE. ENJUAGUE, Y DEJE SECAR EN EL AIRE PARA MEJOR ADHESION DE LA PINTURA Y CALCOMANIA.

ITALIANO: I DISEGNI DELL'ASSEMBLAGGIO DOVREBBERO ESSERE RICONTROLLATI PRIMA DI INIZIARE IL MONTAGGIO. OGNI PEZZO È IDENTIFICATO DA UN NUMERO PER VOSTRA MAGGIORE COMODITÀ. VERNICIARE LE PARTI PICCOLE SULLA GUIDA DE SCORRIMENTO PRIMA DE TOGLIERLE. LASCIAR ASCIUGARE LA VERNICE PRIMA DI CONTINUARE IL MONTAGGIO. RASCHIAR LA PITTURA O IL CROMO DALLE PARTI CHE DEVONO ESSERE INCOLLATE. LAVARE I PEZZI DI PLASTICA CON UN DETERGENTE NON TROPPO FORTE, SCIACQUARE E LASCIAR ASCIUGARE AFFINCHÉ VERNICE E DECALCOMANIE ADERISCANO MEGLIO.



GLUE
KLEBER
COLLE
LIJM
KLISTER
PEGA
COLLA



NO GLUE REQUIRED
KEIN KLEBER NOTWENDIG
LA COLLE N'EST PAS NECESSAIRE
GEEN LIJM NODIG
INGET KLISTER BEHOVS
NO NECESITA PEGA
NON C'E BISOGNO DI COLLA



DO IT THIS MANY TIMES
ANZAHL DER ARBEITSGÄNGE
LE FAIRE CE NOMBRE DE FOIS
DOE HET ZOVEEL KEER
GJOR DET SA MANGA GÅNGER
FATELO TUTTE QUESTA VOLTE
HAGALO ESTA CANTIDAD DE VECES



OPTIONAL
WAHLWEISE
FACULTATIF
NAAR KEUZE
VALFRI
FACOLTATIVO
OPCIONAL



APPLY DECALS
ABZIEHBILDER ANBRINGEN
COLLER LES DECALCOMANIES
BRENG PLAKPLAATJES AAN
SATT PA DEKALERNA
APPLICARE LE DECALOMANIE (ADESIVI)
APLICAR CALCAS

SHOWN ASSEMBLED
ABBILDUNG DES ZUSAMMEN GEBAUTEN MODELLS
VU ASSEMBLE
GEMONTEERD GETOOND
VISAD IHOPSÄTTNING
MOSTRADO ARMADO
ILLUSTRAZIONE DEL PEZZO MONTATO



CLEAR
KLAR
TRANSPARENT
DOORZICHTIG
KLART
VIA LEBERA
TRANSPARENTE



WHITE
WEISS
BLANC
WIT
VIT
BLANCO
BIANCO



Revell, Incorporated has put forth every effort to create and manufacture the finest model kit available. If a part may be missing, please write to:

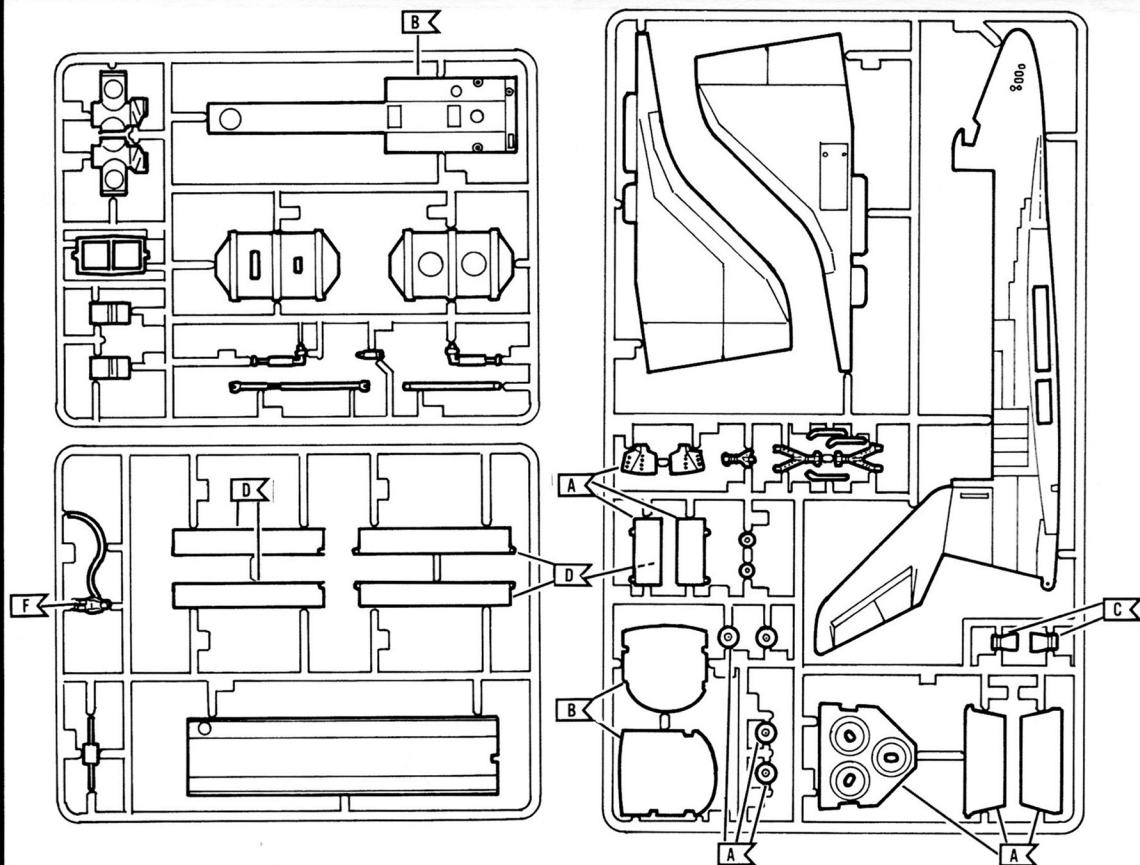
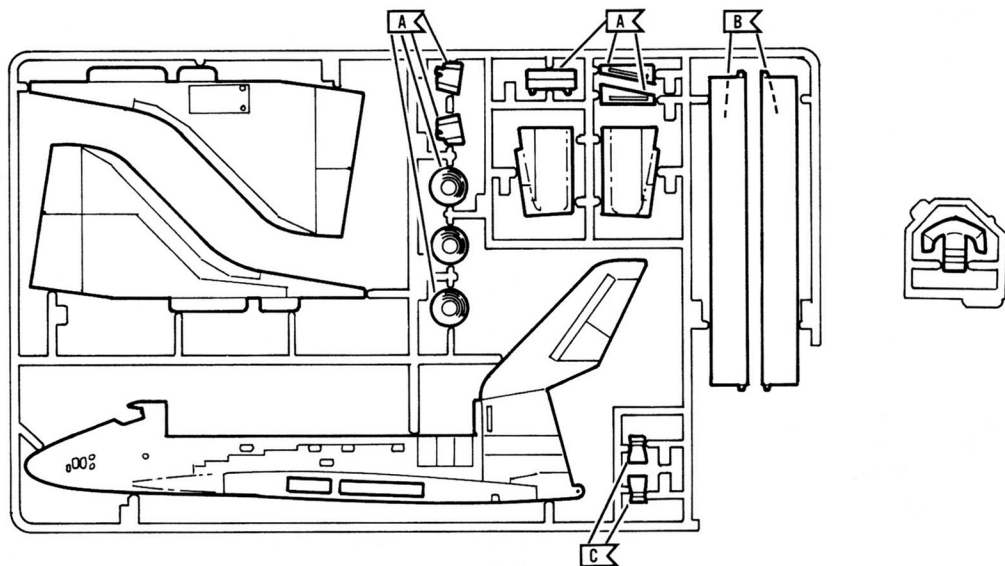
Revell, Incorporated
Consumer Service Department
395 North Third Avenue
Des Plaines, Illinois 60016

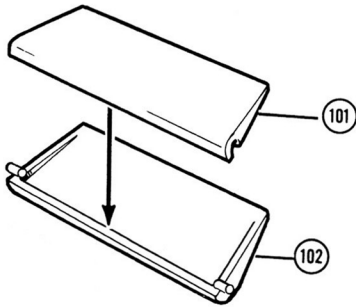
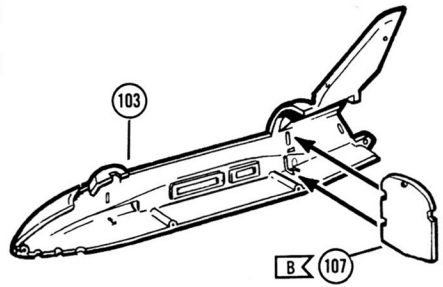
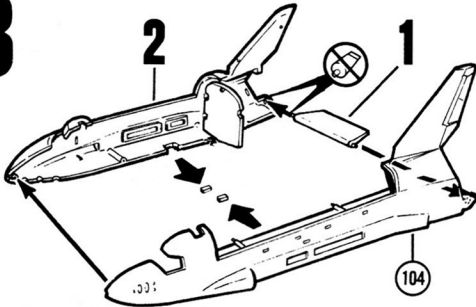
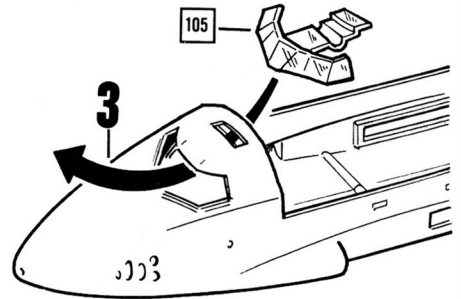
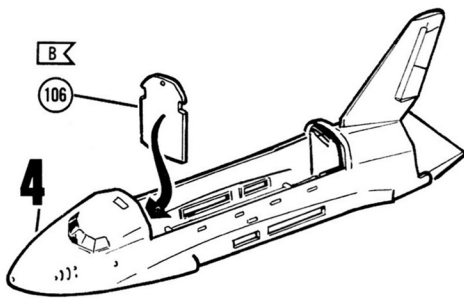
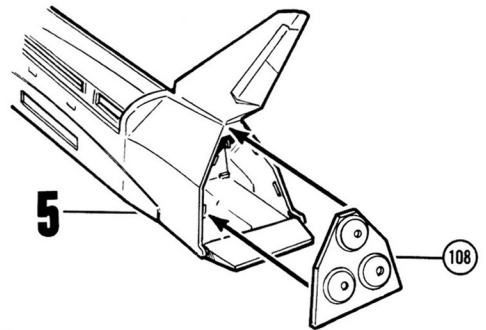
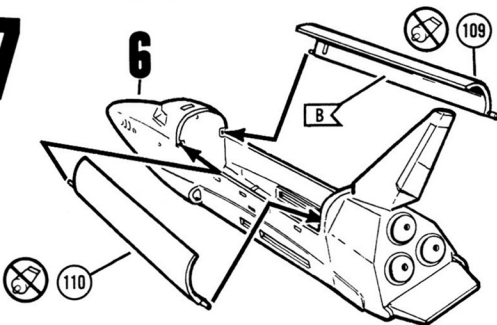
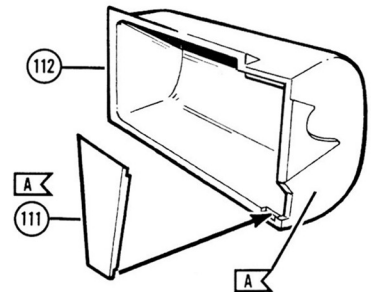
Be sure to include the kit number, part number, description, and your return address.

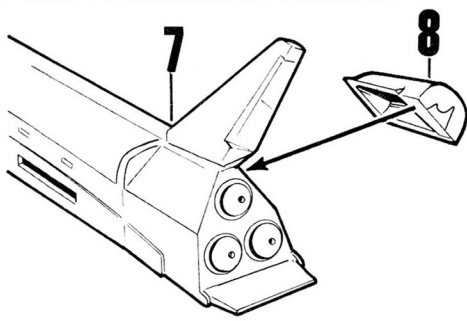
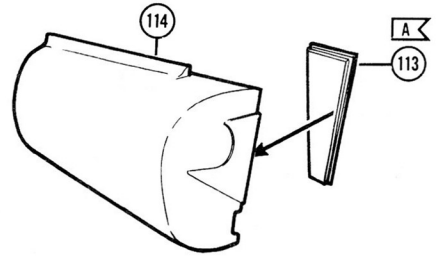
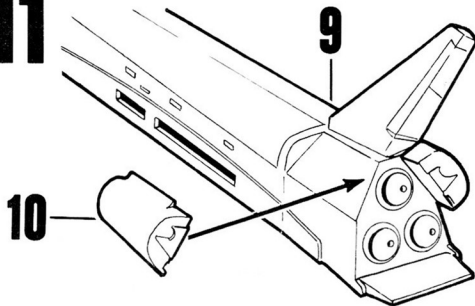
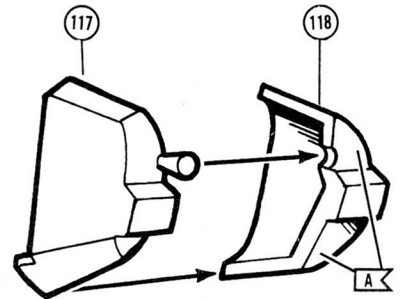
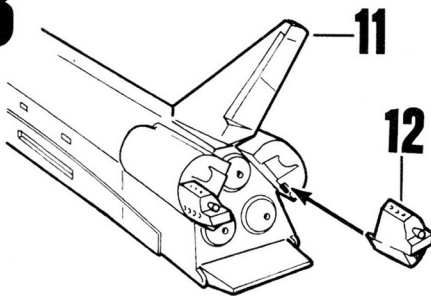
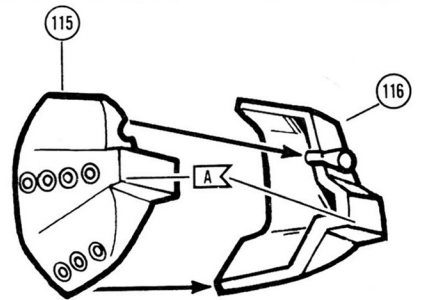
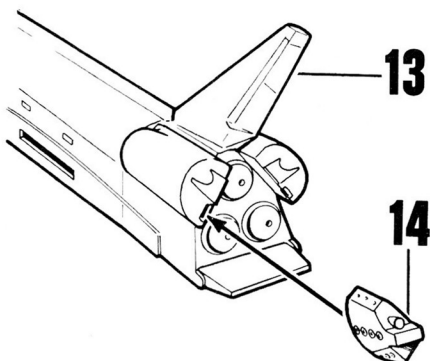
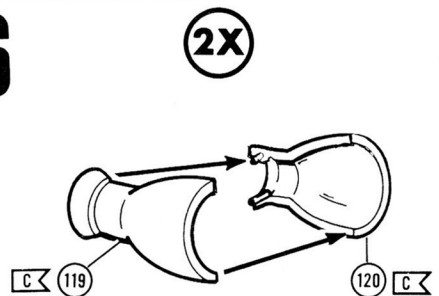
If you have any problems building this model, call our modeling tips hotline at:

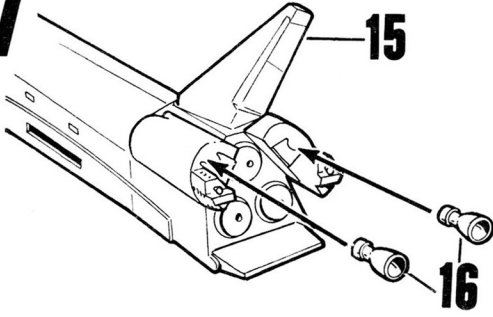
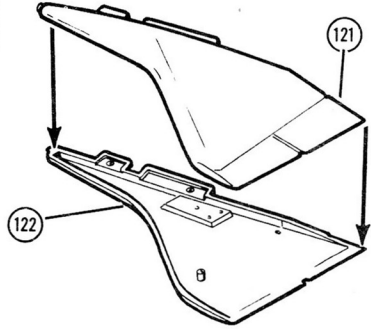
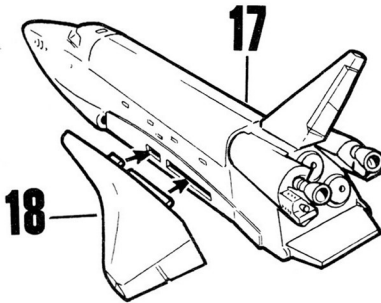
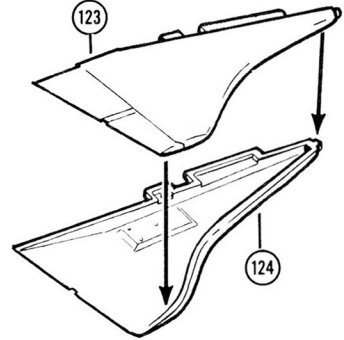
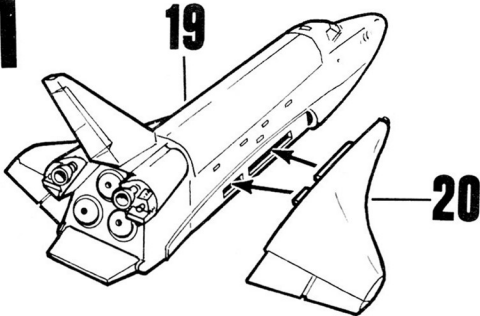
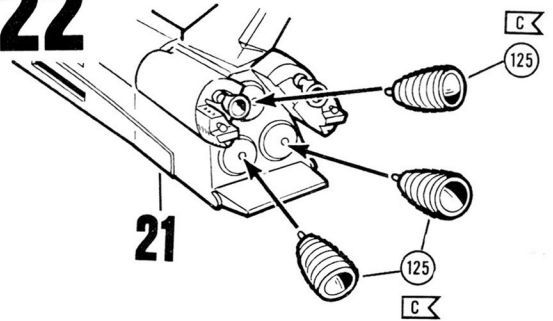
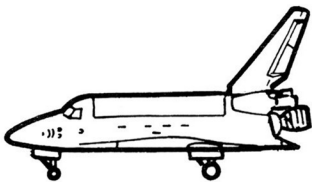
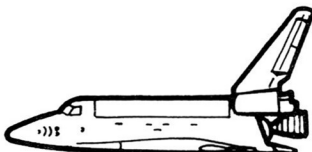
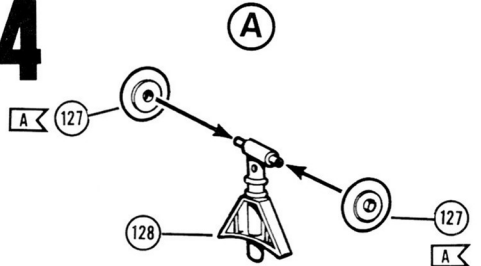
(800) 833-3570

A	BLACK	SCHWARZ	NOIR	ZWART	SVART	NEGRO	NERO
B	IVORY	ELFENBEIN	IVOIRE	IVOOR	ELFENBEN	MARFIL	AVORIO
C	GRAY METALLIC	GRAU METALLISCH	GRIS METALLISE	METAAL-GRIJS	GRAMETALLIK	GRIS METALICO	GRIGIO METALLIZZATO
D	SILVER	SILBER	ARGENT	ZILVER	SILVER	PLATA	ARGENTO
E	MATT MEDIUM GREY	MATT MITTELGRAU	GRIS MOYEN MAT	MAT MIDDELGRIJS	MATT MELLANGRA	GRIS MEDIANO MATE	GRIGIO MEDIO SMORTO
F	ORANGE	ORANGE	ORANGE	ORANJE	ORANGE	ANARANJADO	ARANCIONE



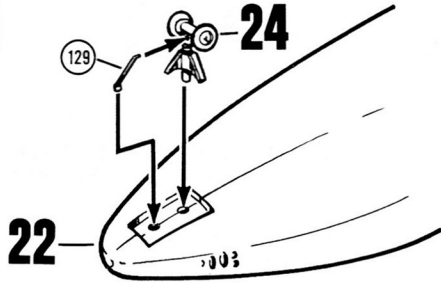
1**2****3****4****5****6****7****8**

9**10****11****12****13****14****15****16**

17**18****19****20****21****22****23****(A)****(?)****(B)****24**

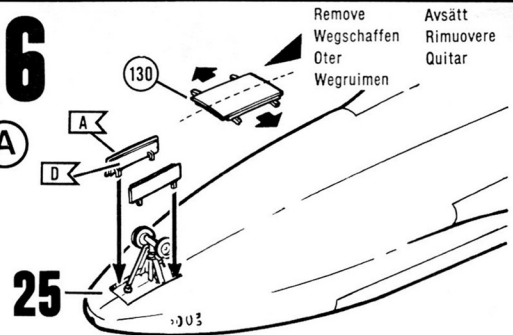
25

(A)



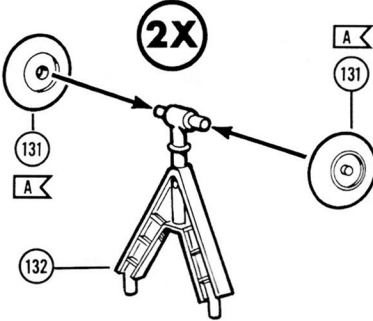
26

(A)



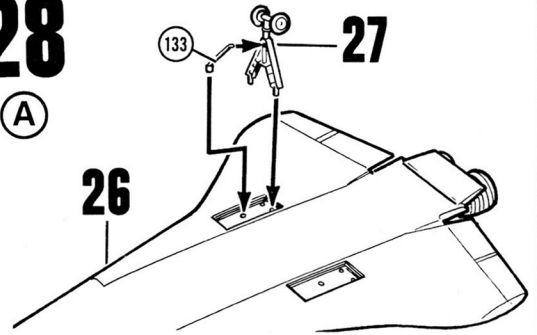
27

(A)



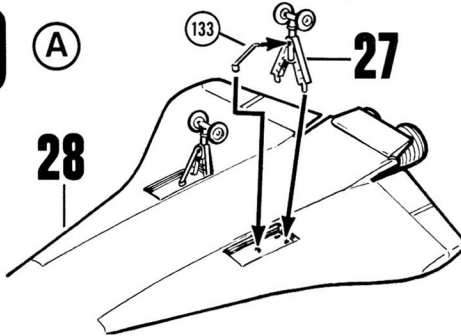
28

(A)



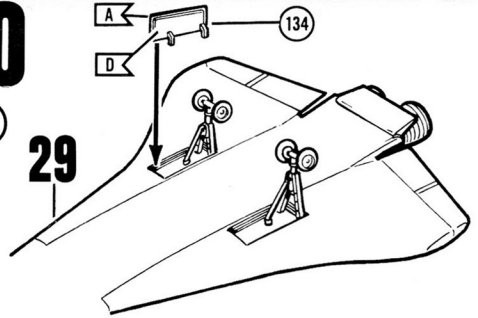
29

(A)



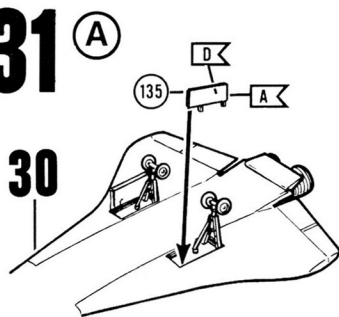
30

(A)



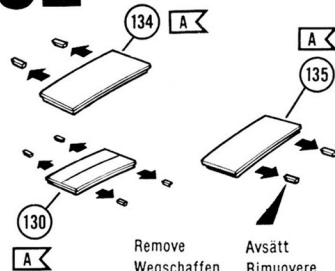
31

(A)



32

(B)

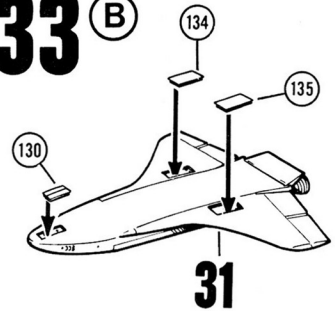


Remove
Wegschaffen
Oter
Wegruimen

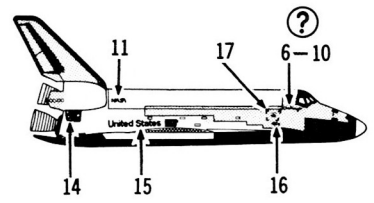
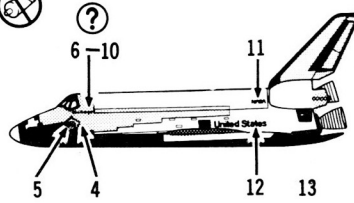
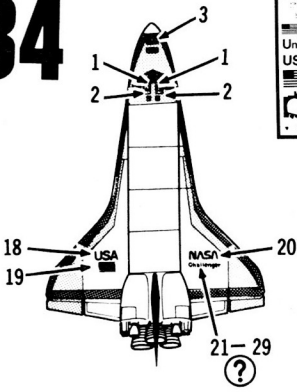
Avsätt
Rimuovere
Quitar

33

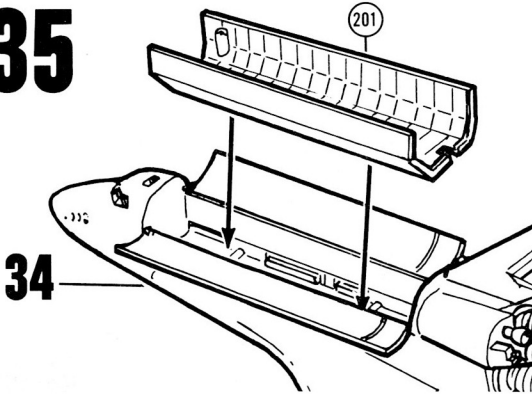
(B)



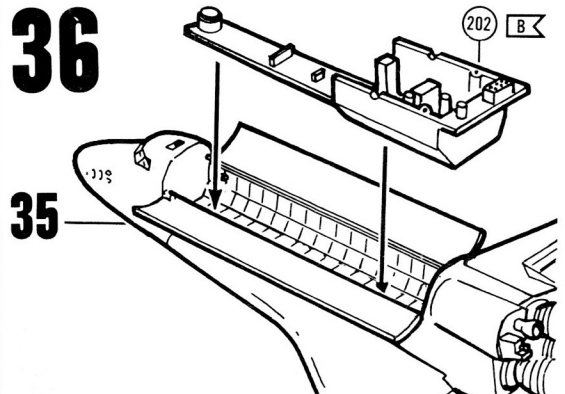
34



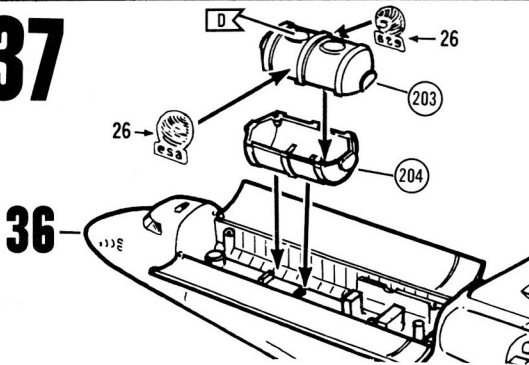
35



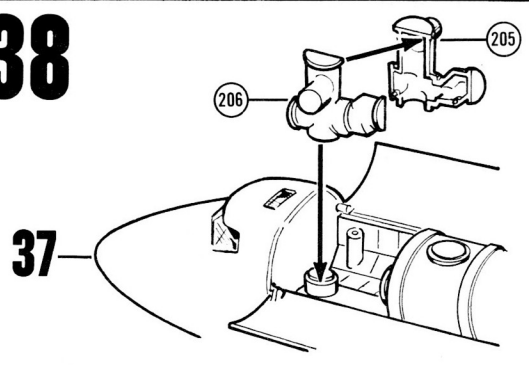
36



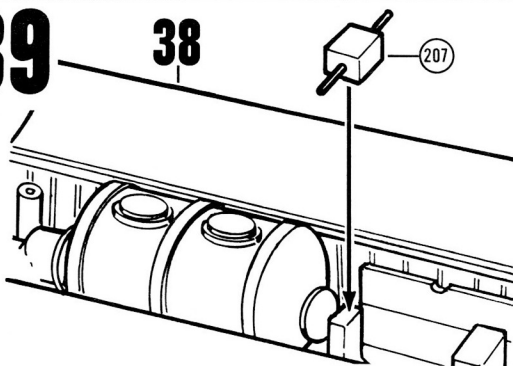
37



38



39



40

