

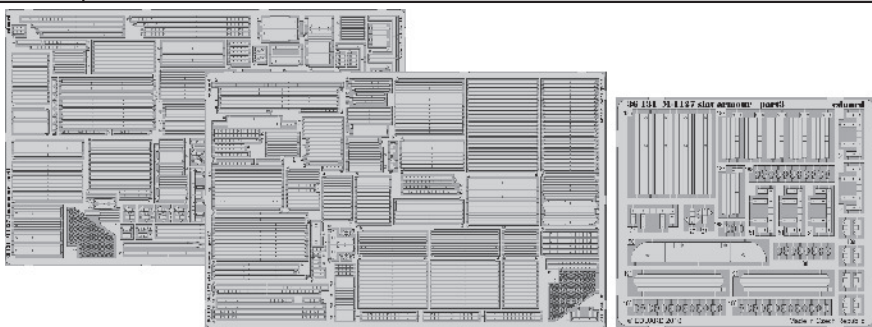


M-1127 slat armour

eduard

36 131

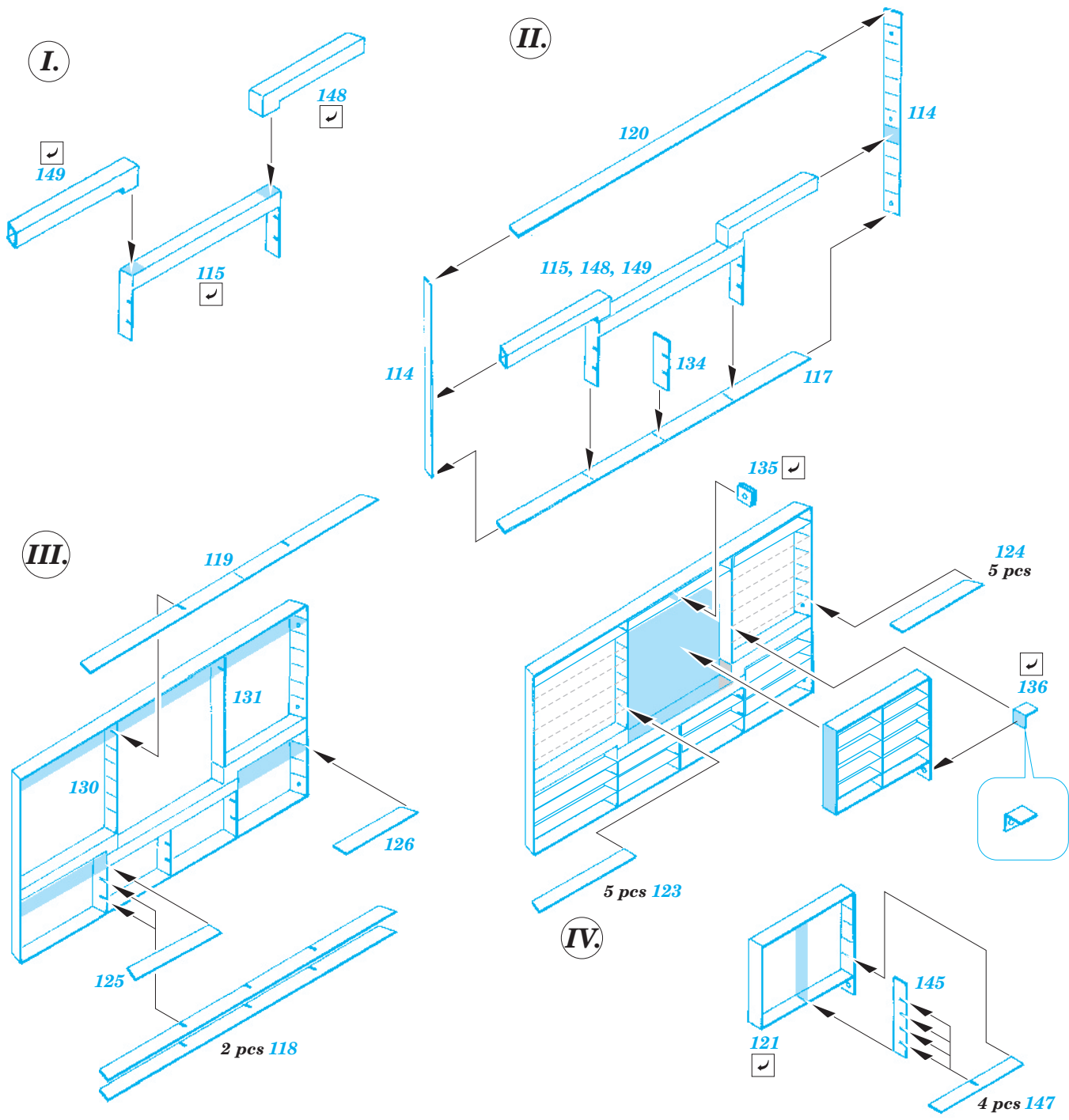
1/35 scale detail set for Trumpeter kit • sada detailů pro model 1/35 Trumpeter

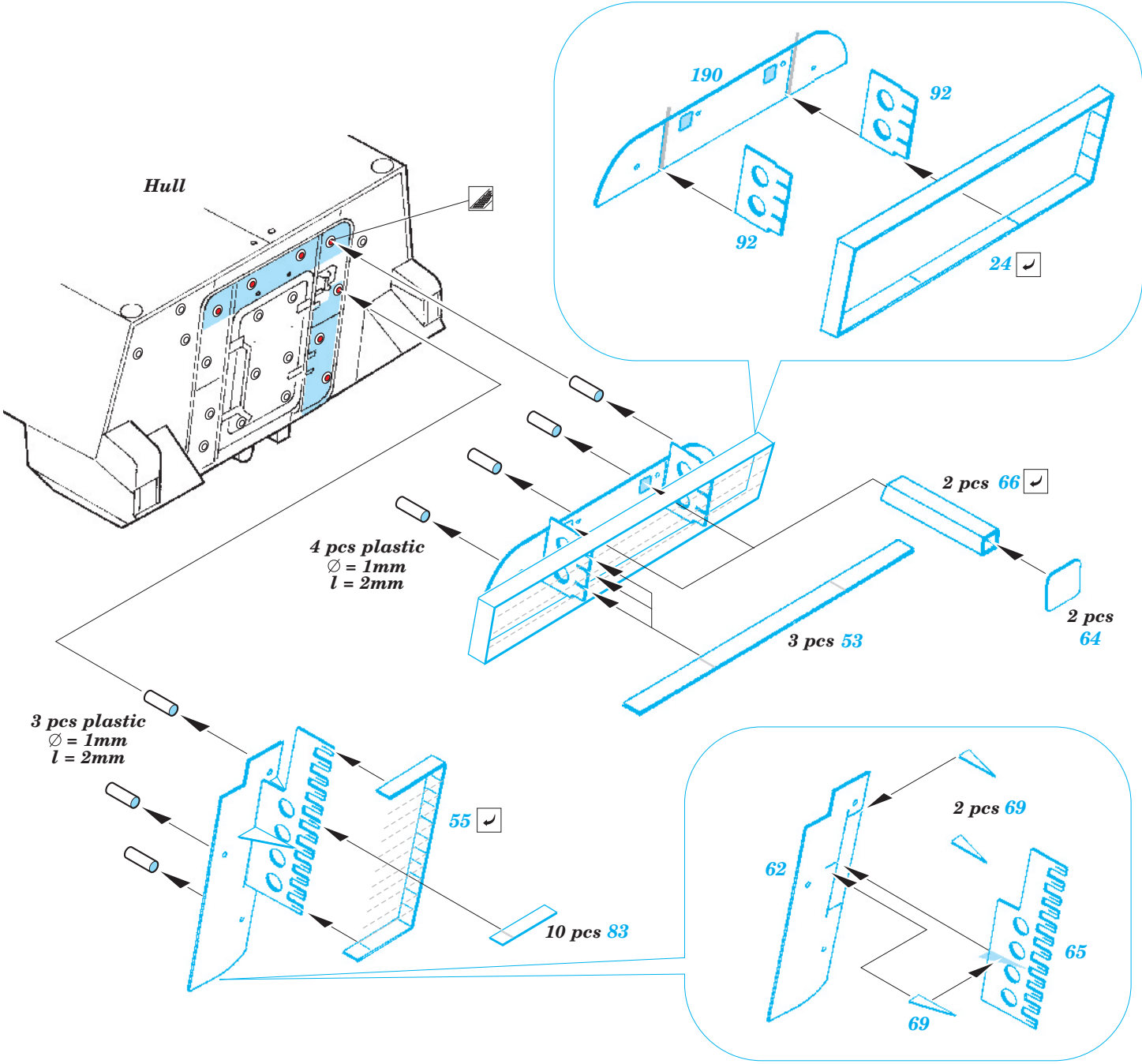
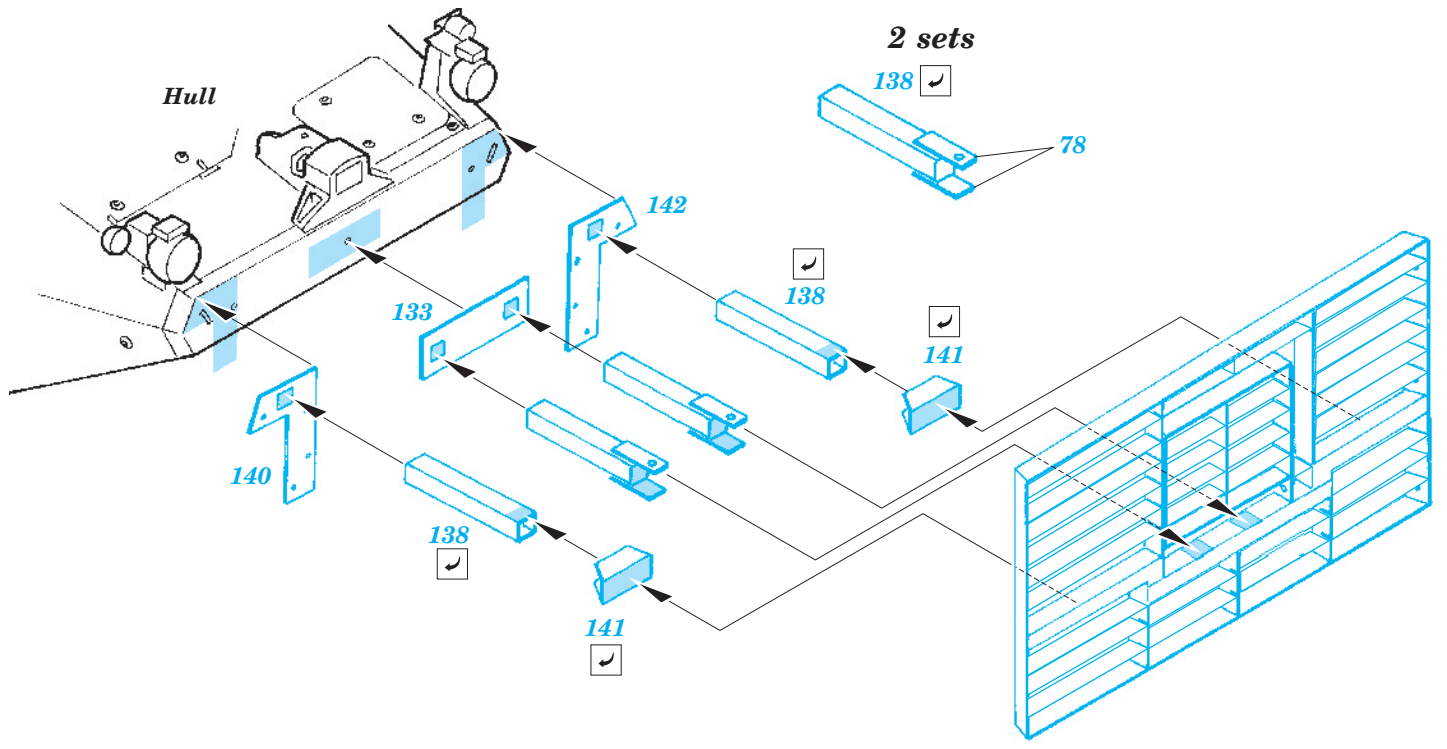


- APPLY EXPRESS MASK AND PAINT BEFORE GLUING
POUŽIT EXPRESS MASK NABARVIT PŘED SLEPENÍM
- SYMMETRICAL ASSEMBLY
SYMETRICKÁ MONTÁŽ
- REMOVE
ODSTRANIT
- GRIND
OBROUSIT
- DRILL HOLE
VRTAT OTVOR
- BEND
OHNOUT
- OPTION
VOLBA
- REPLACE
NAHRADIT

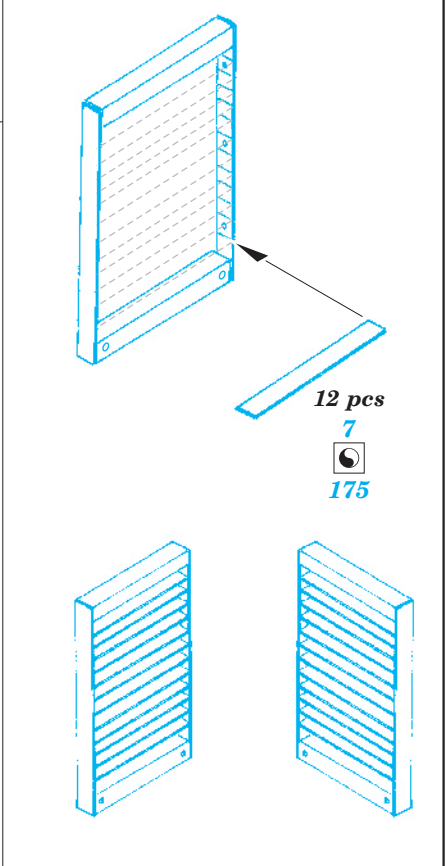
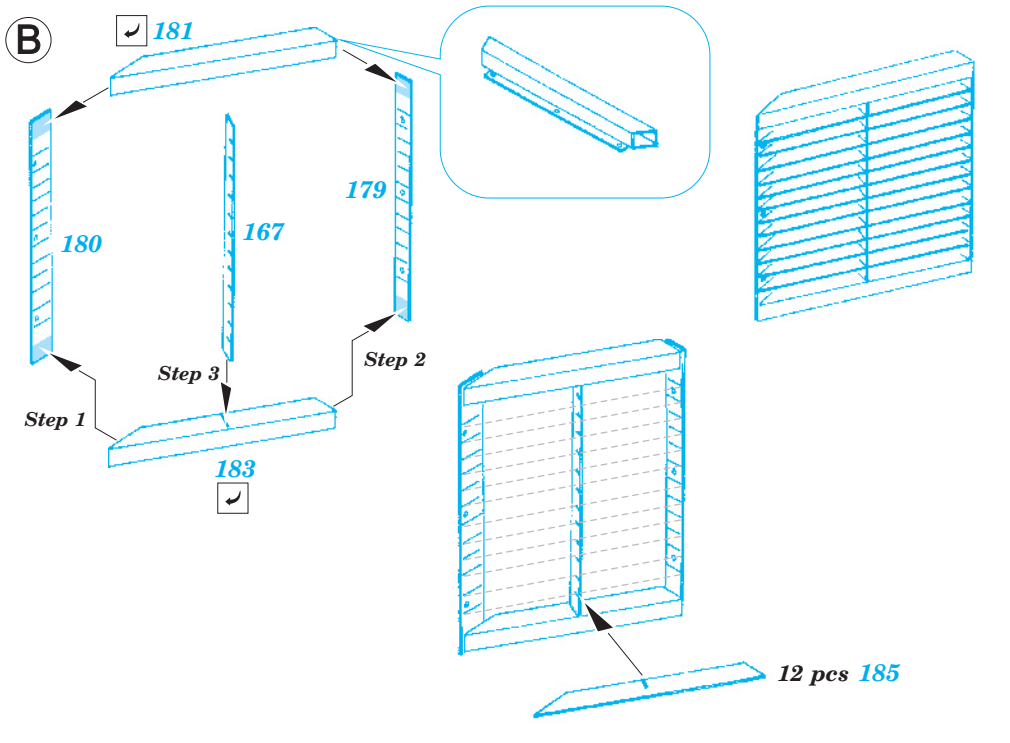
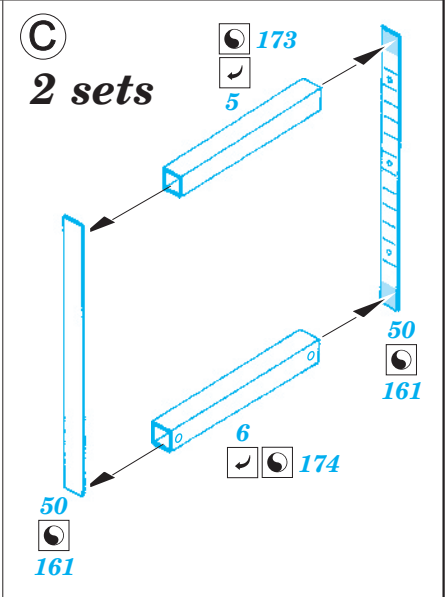
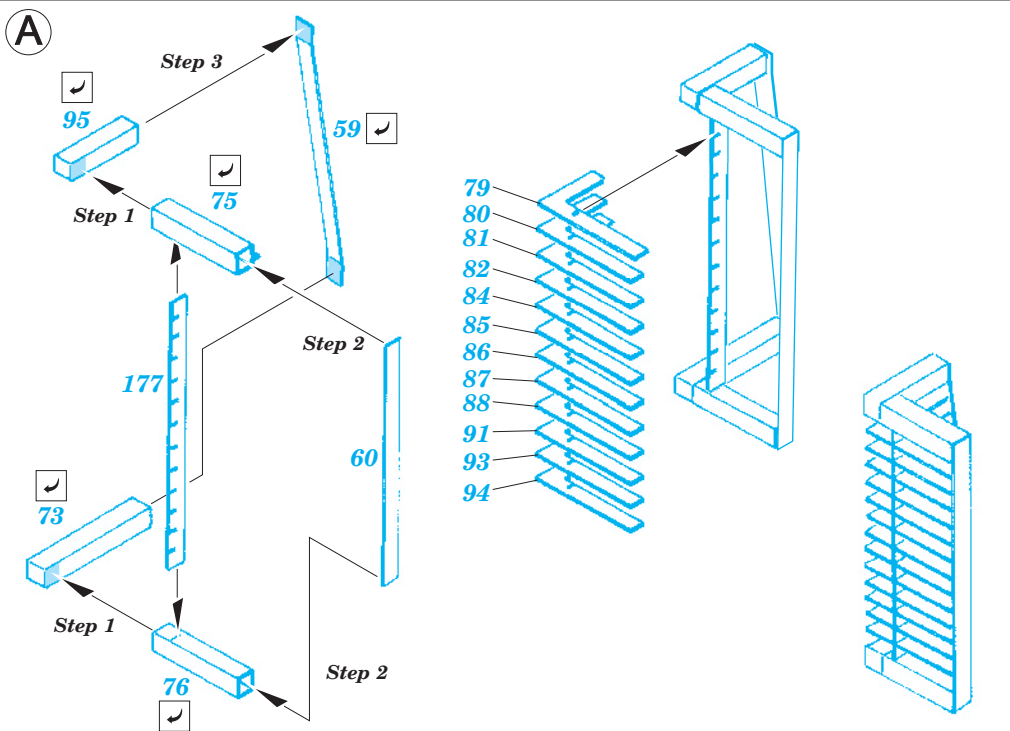
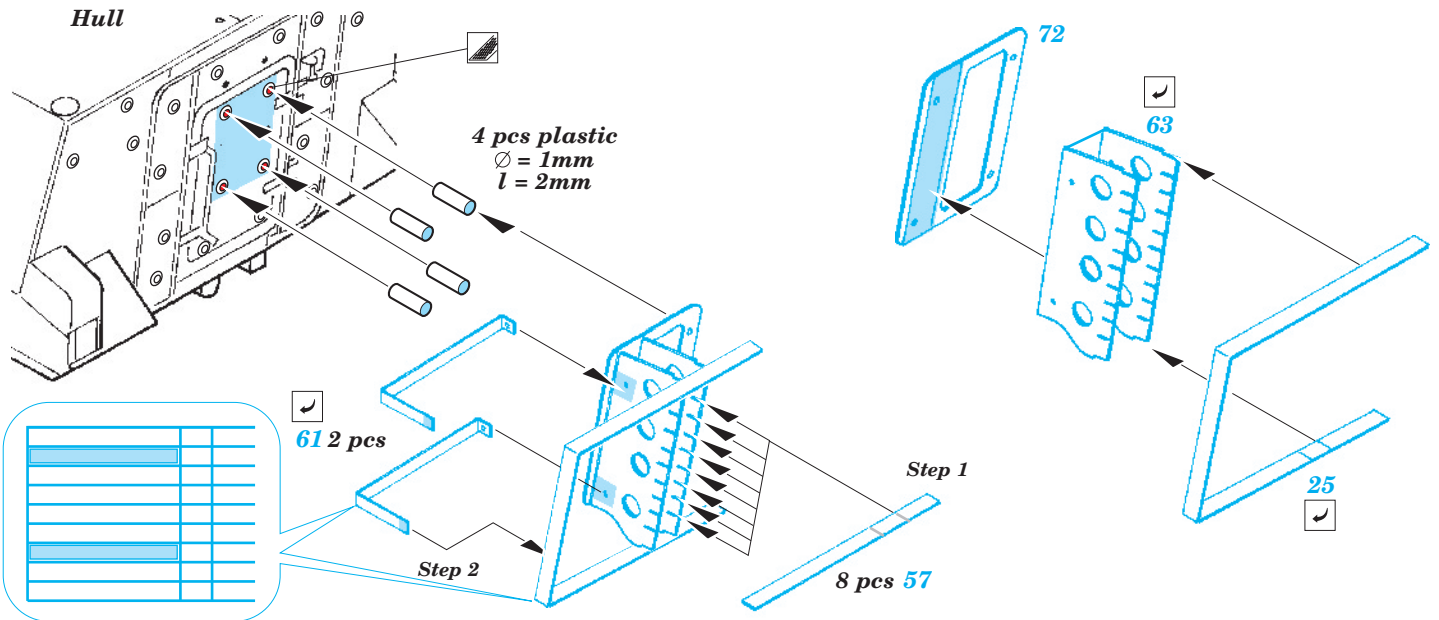
ORIGINAL KIT PARTS
PŮVODNÍ DÍLY STAVEBNICE
 PHOTO-ETCHED PARTS
LEPTANÉ DÍLY
 PARTS TO BE REMOVED
DÍLY K ODSTRANĚNÍ
 FILL
TMELIT

This set must be used on base eduard 36 128 M-1127 additional armour (not included in this set)

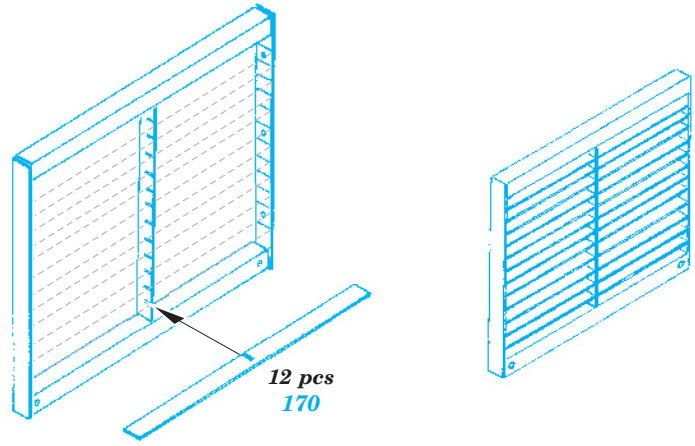
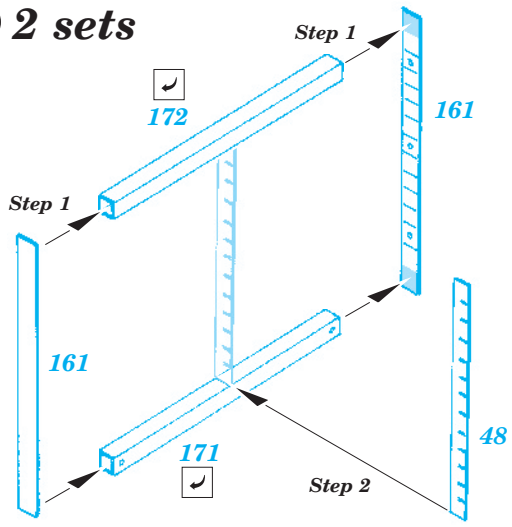




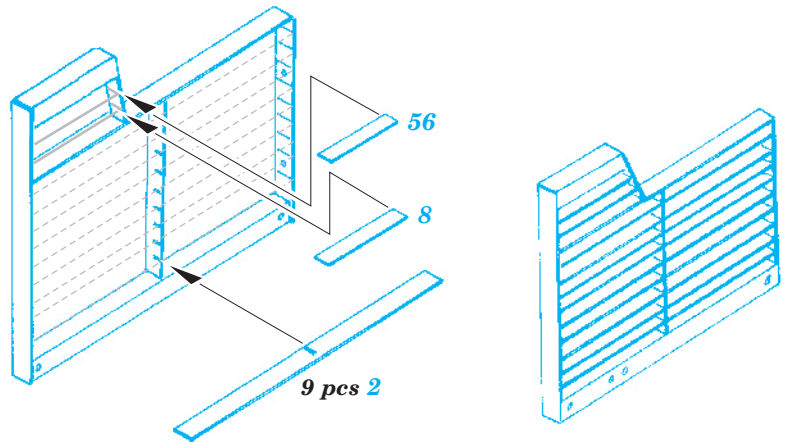
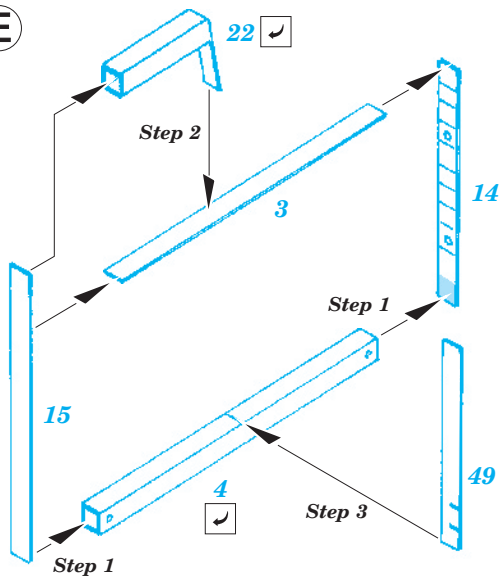
Hull



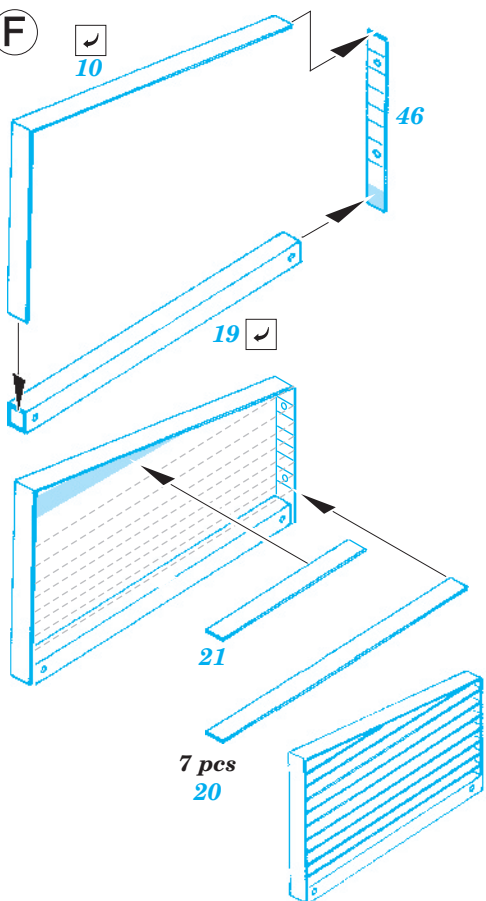
D 2 sets



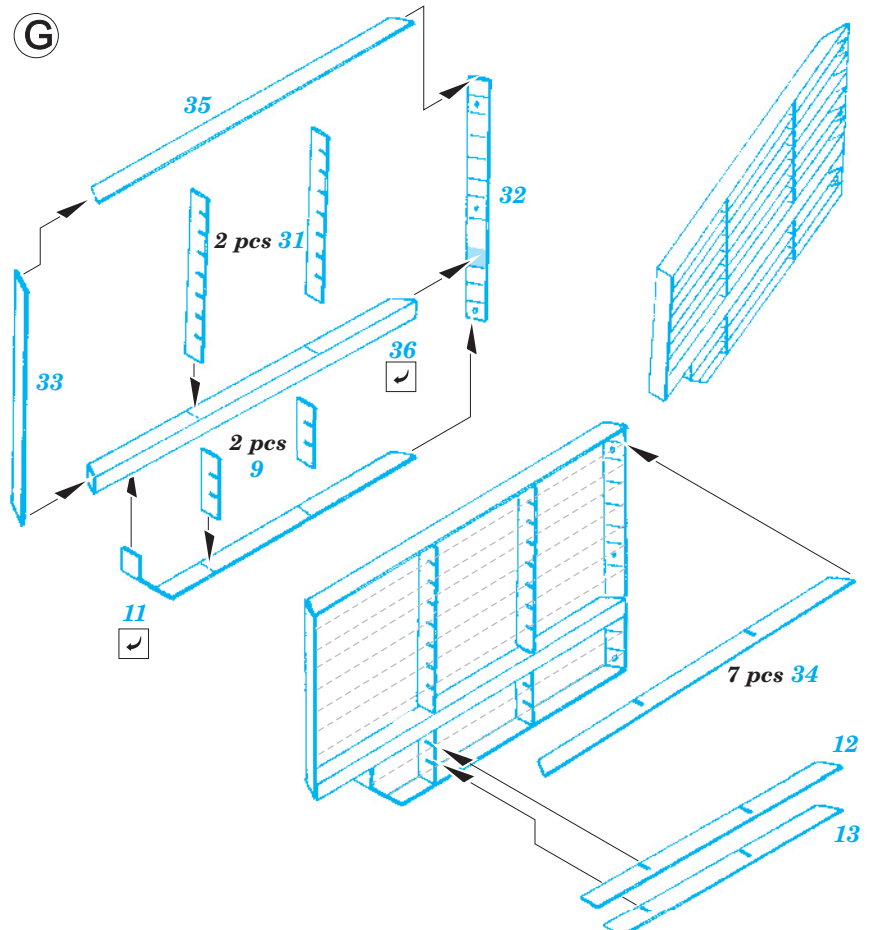
E

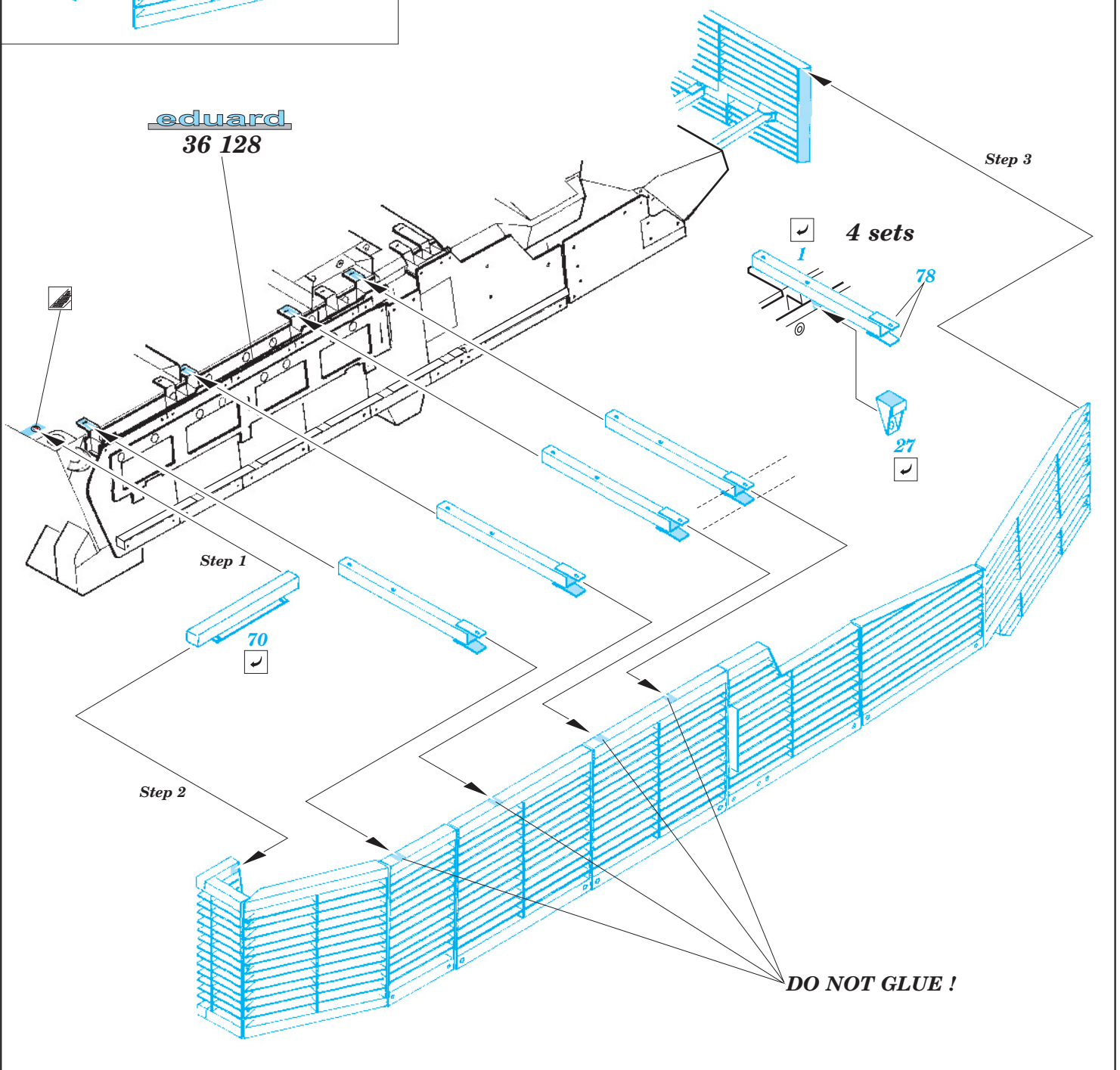
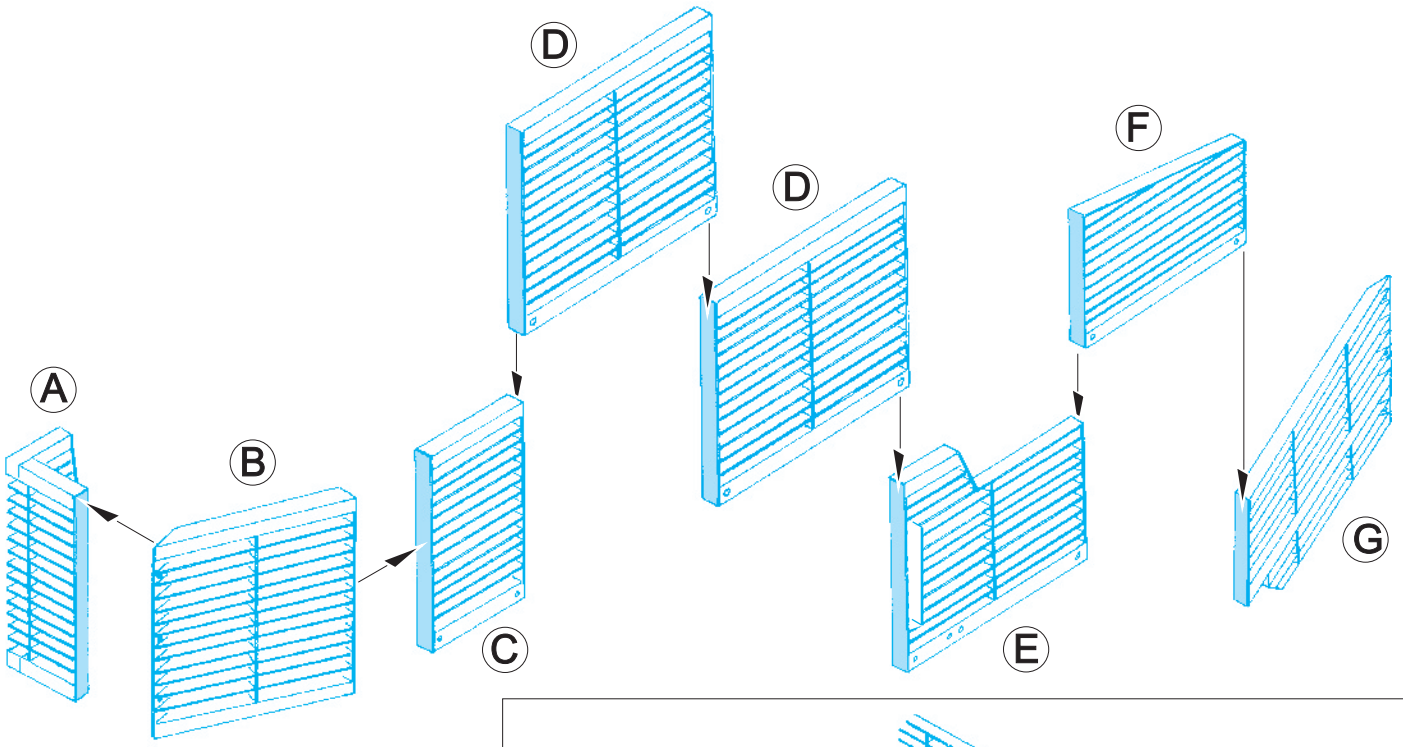


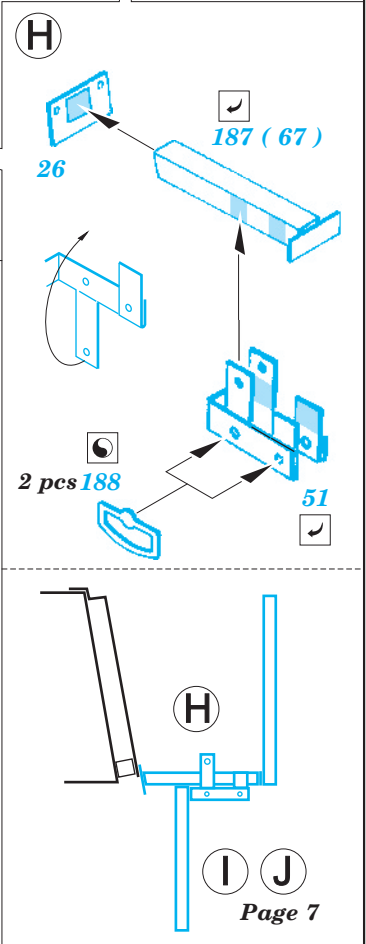
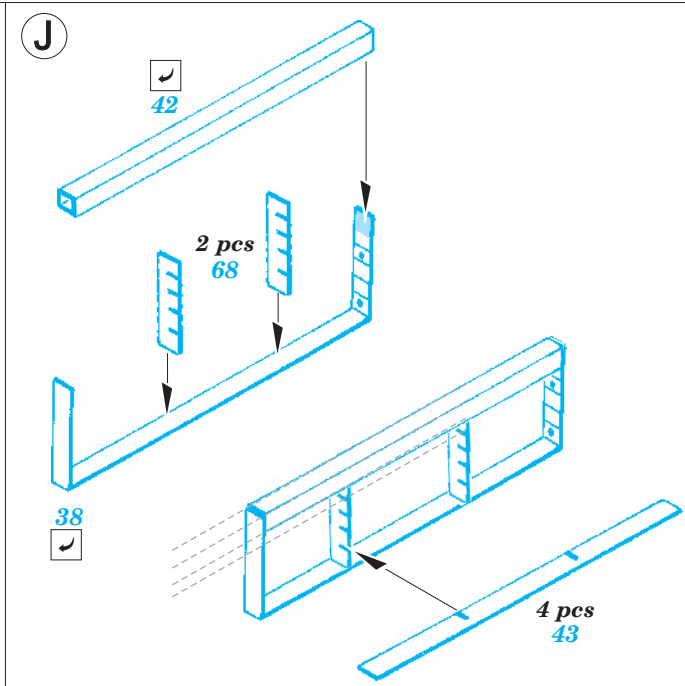
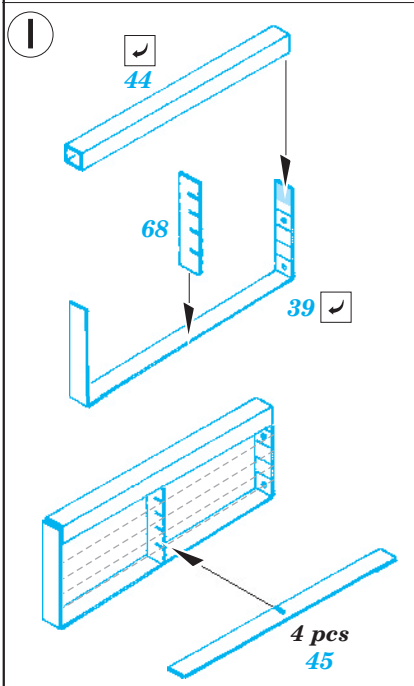
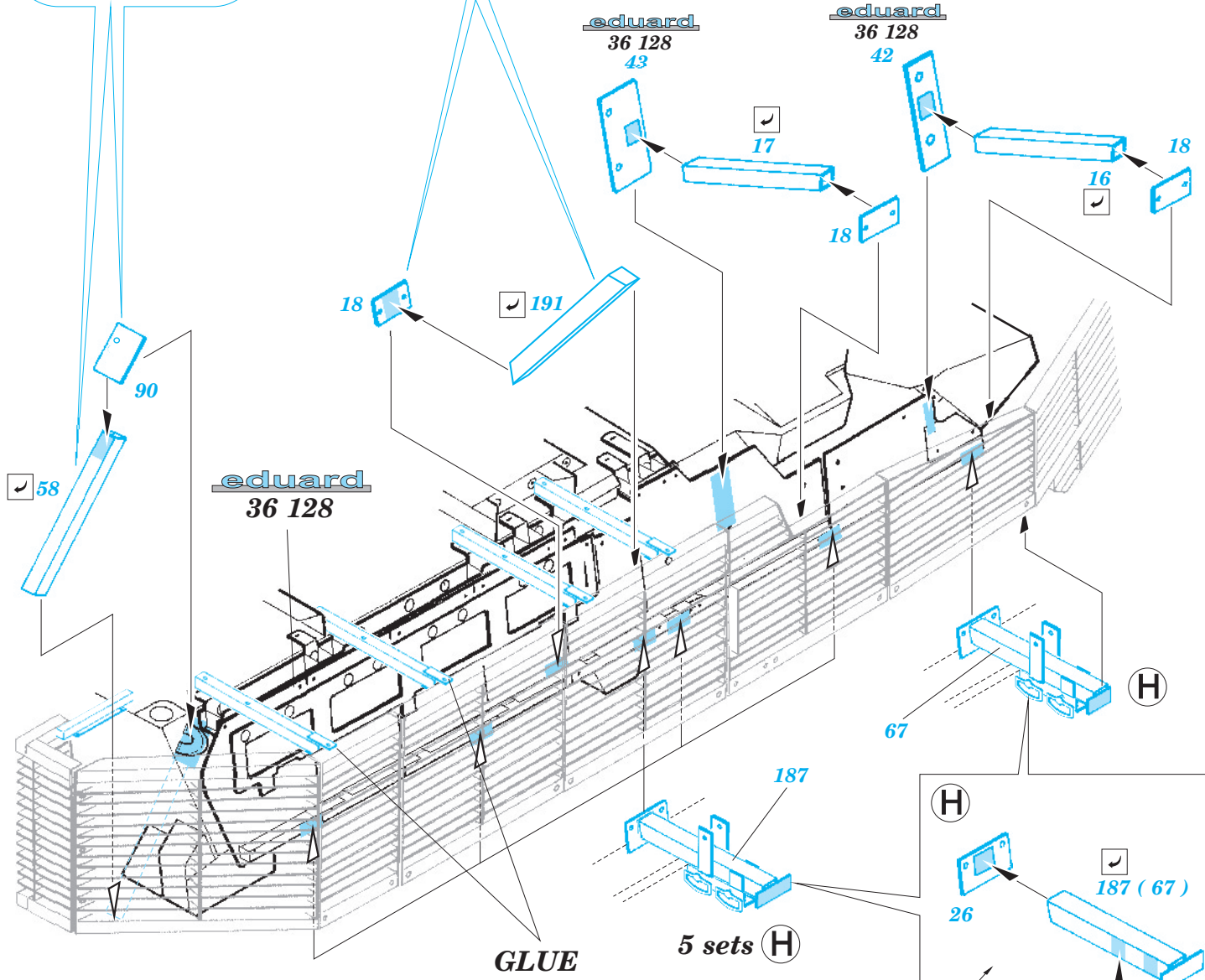
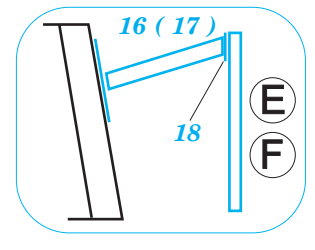
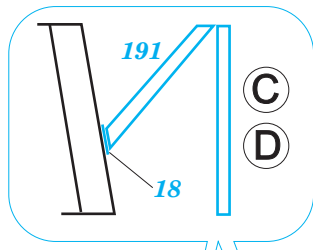
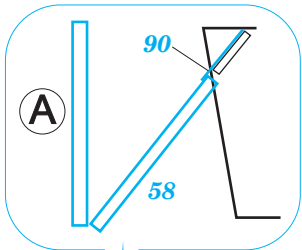
F



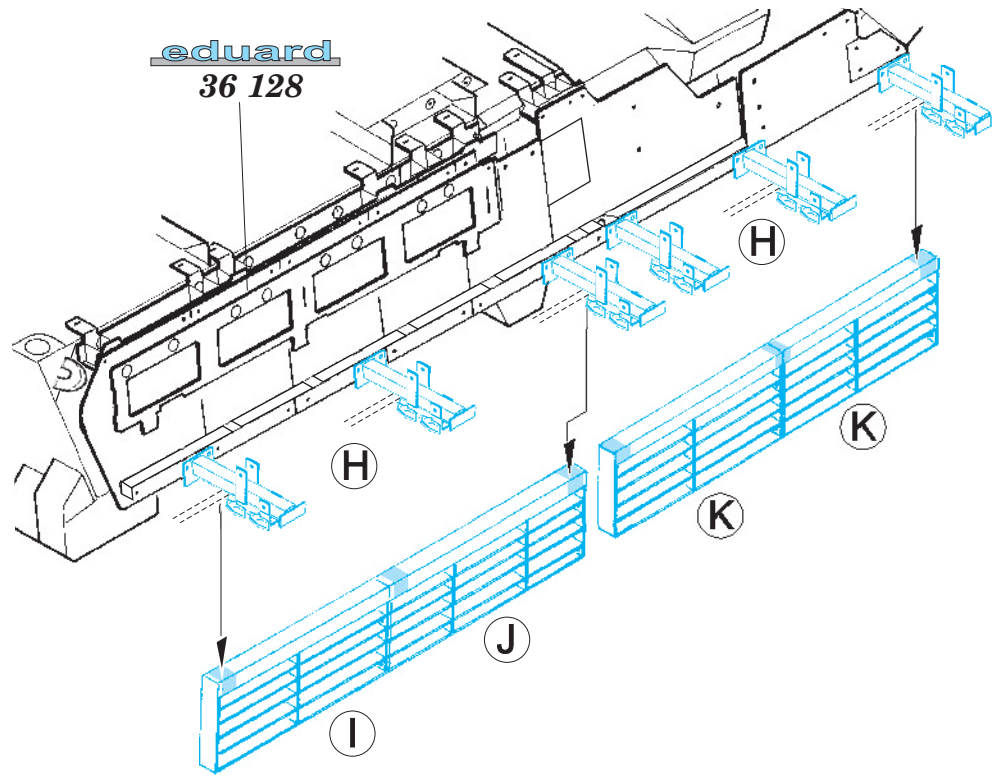
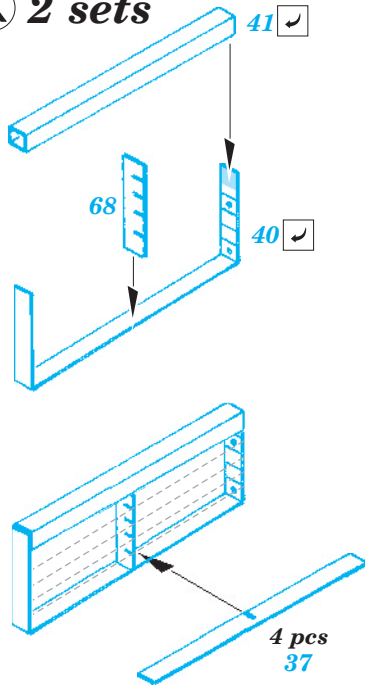
G



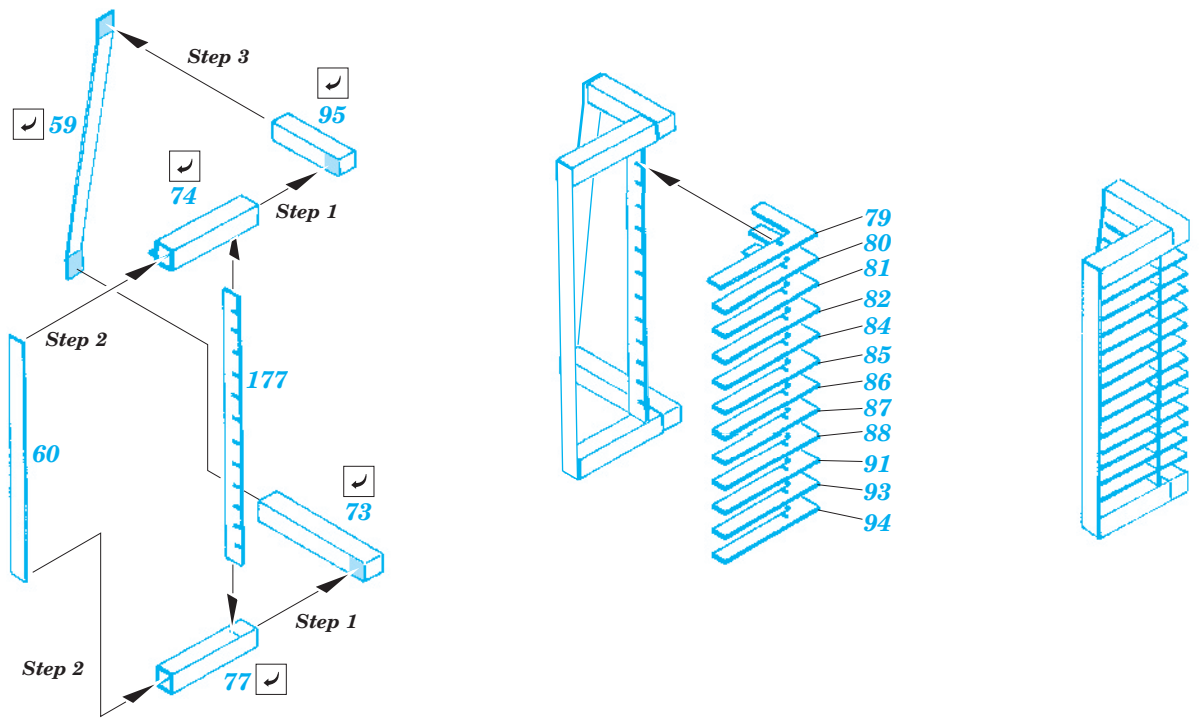




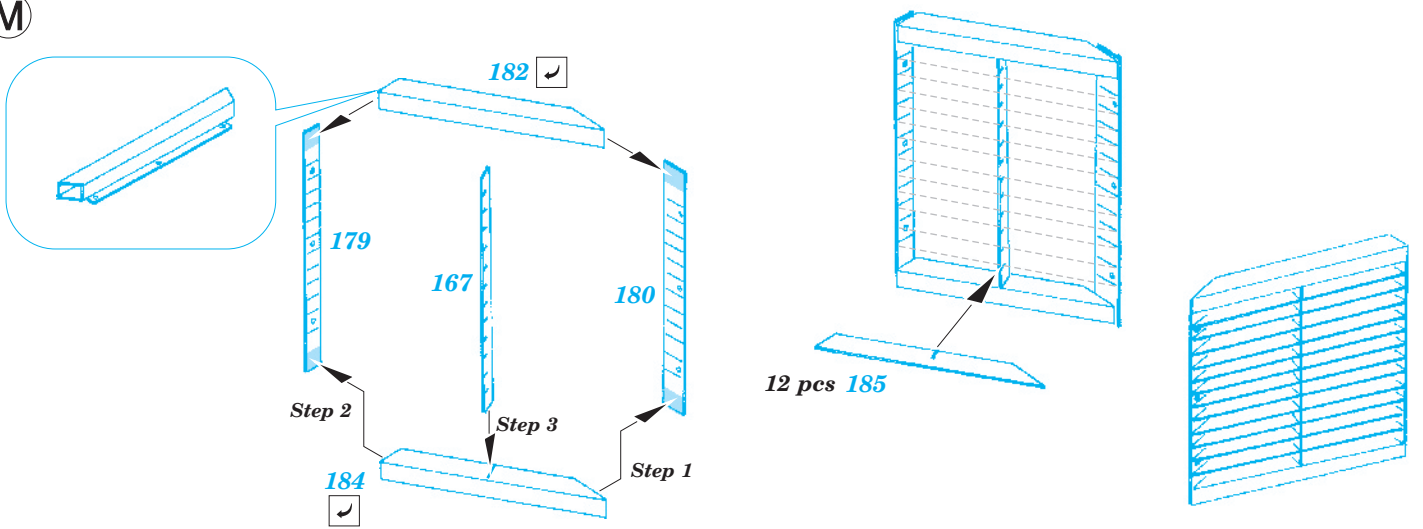
K 2 sets

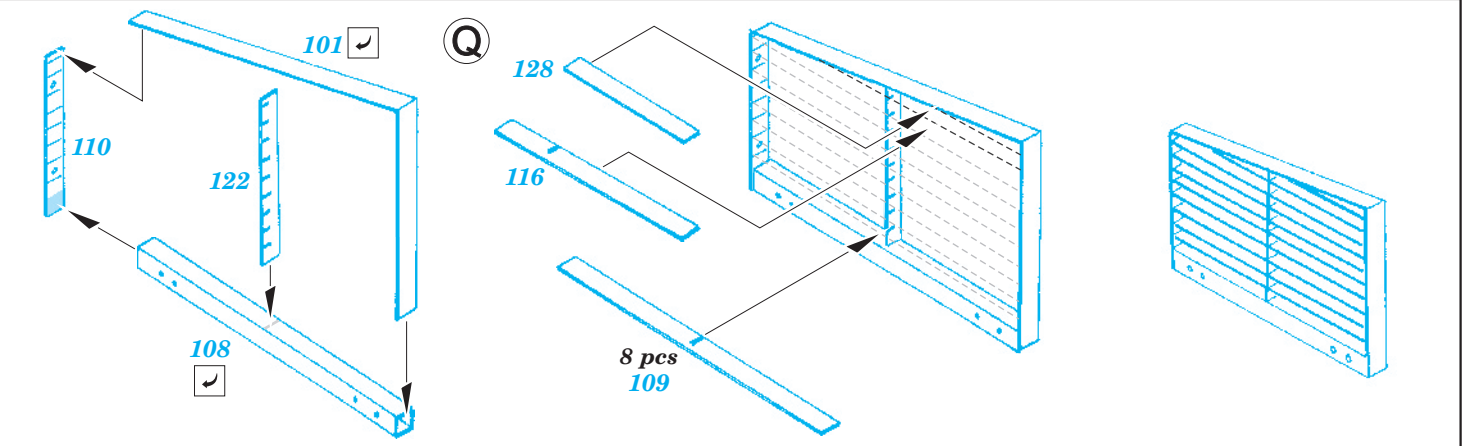
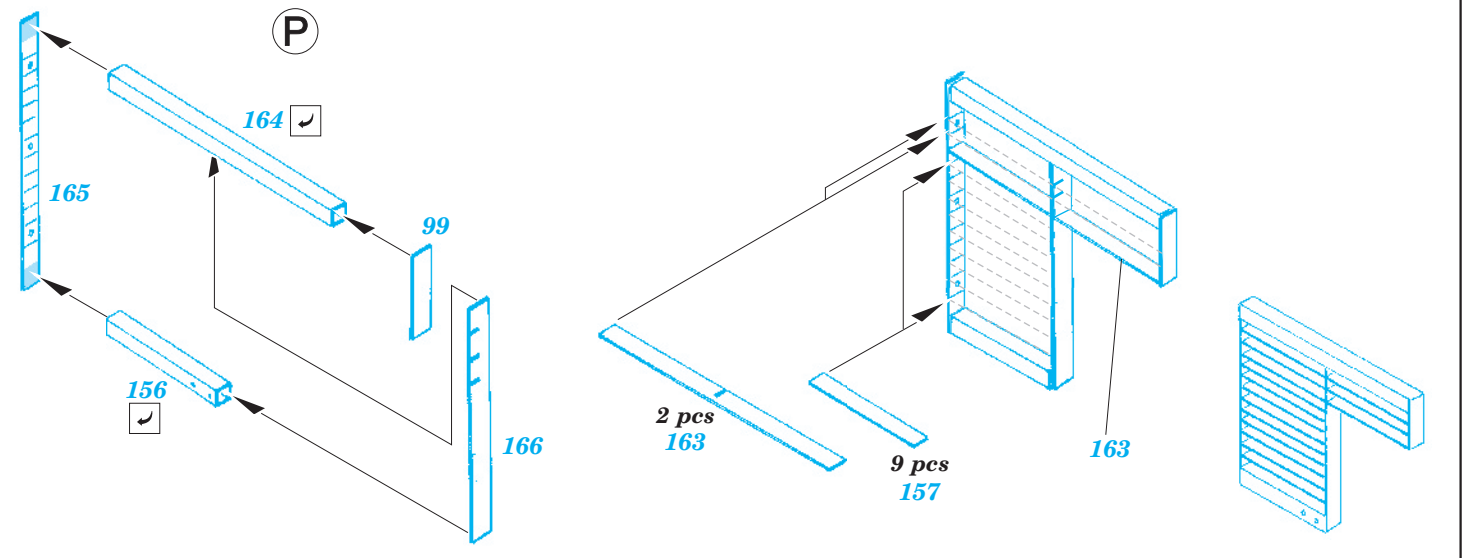
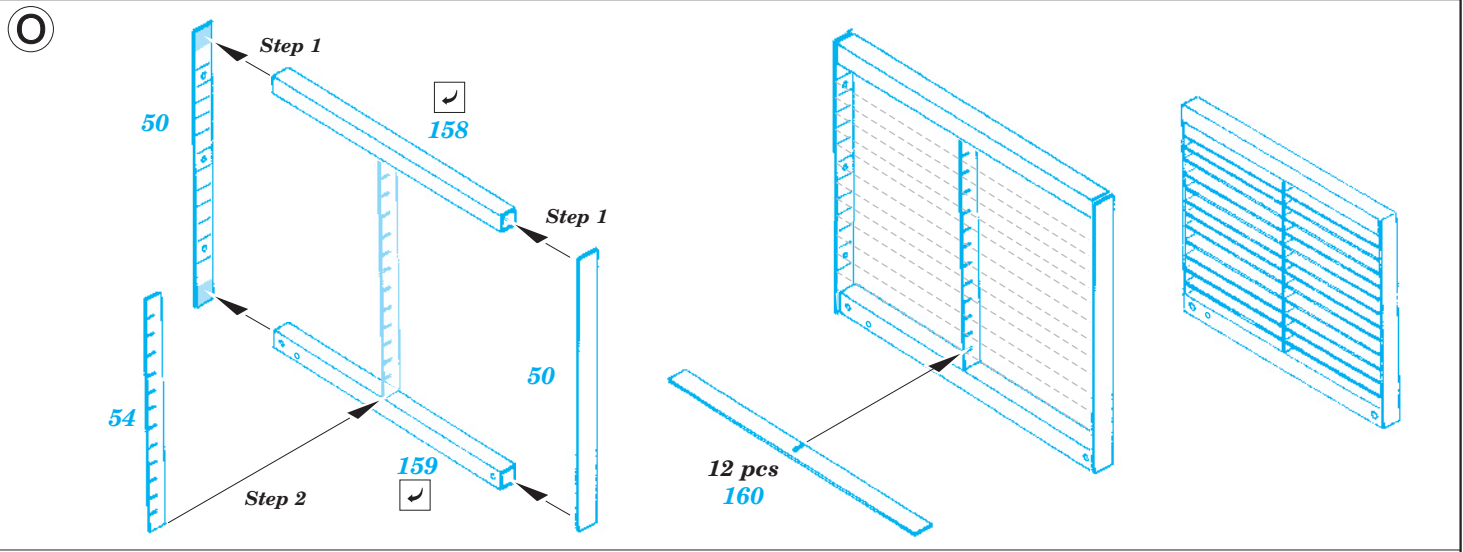
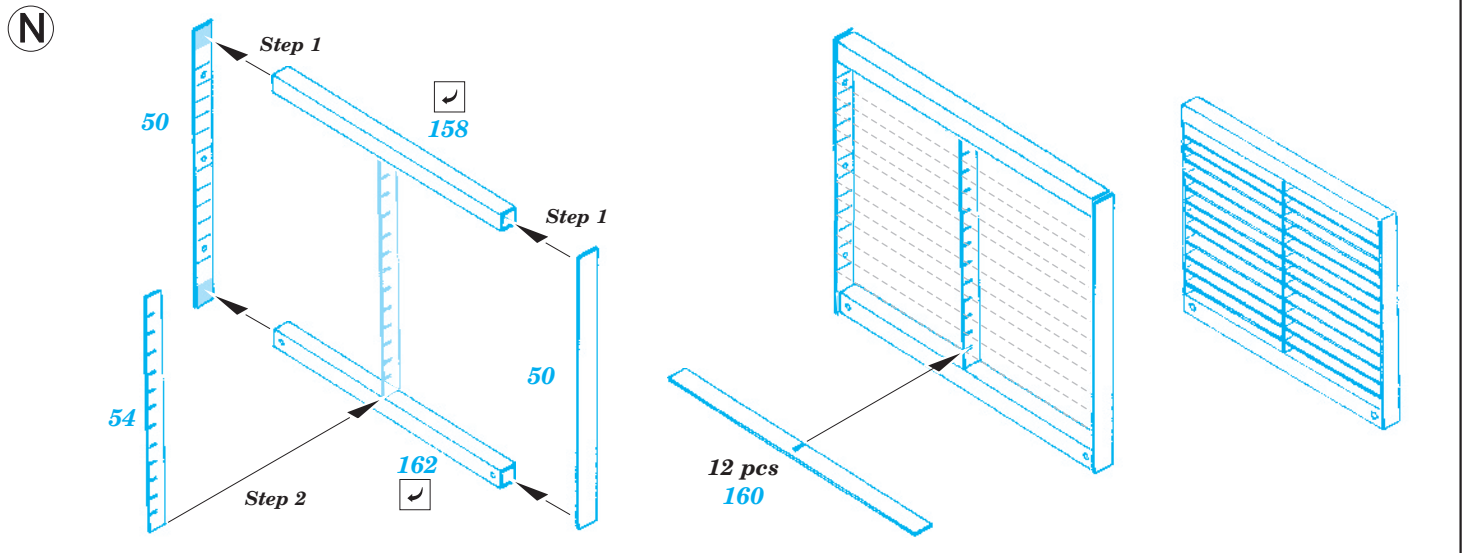


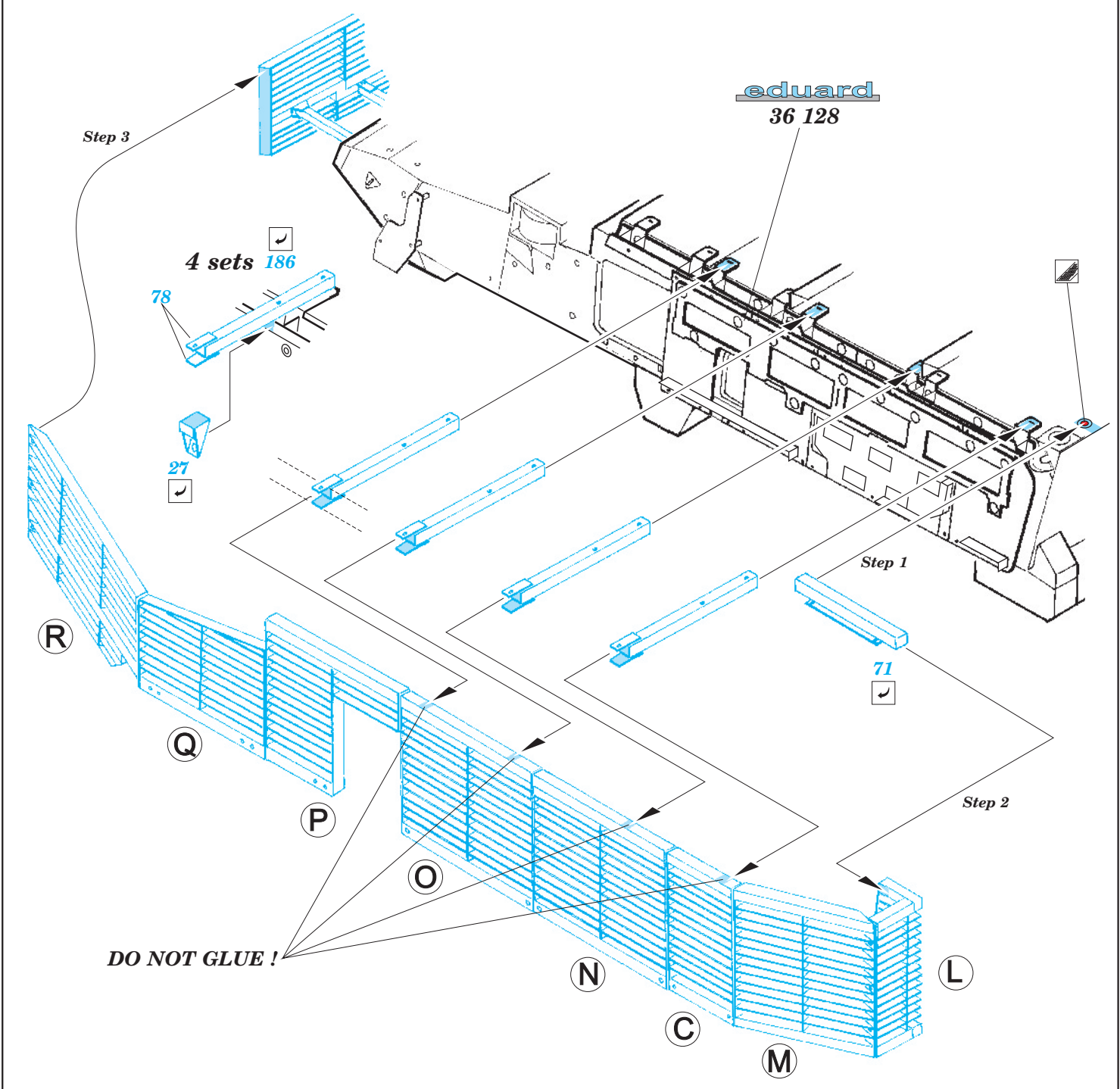
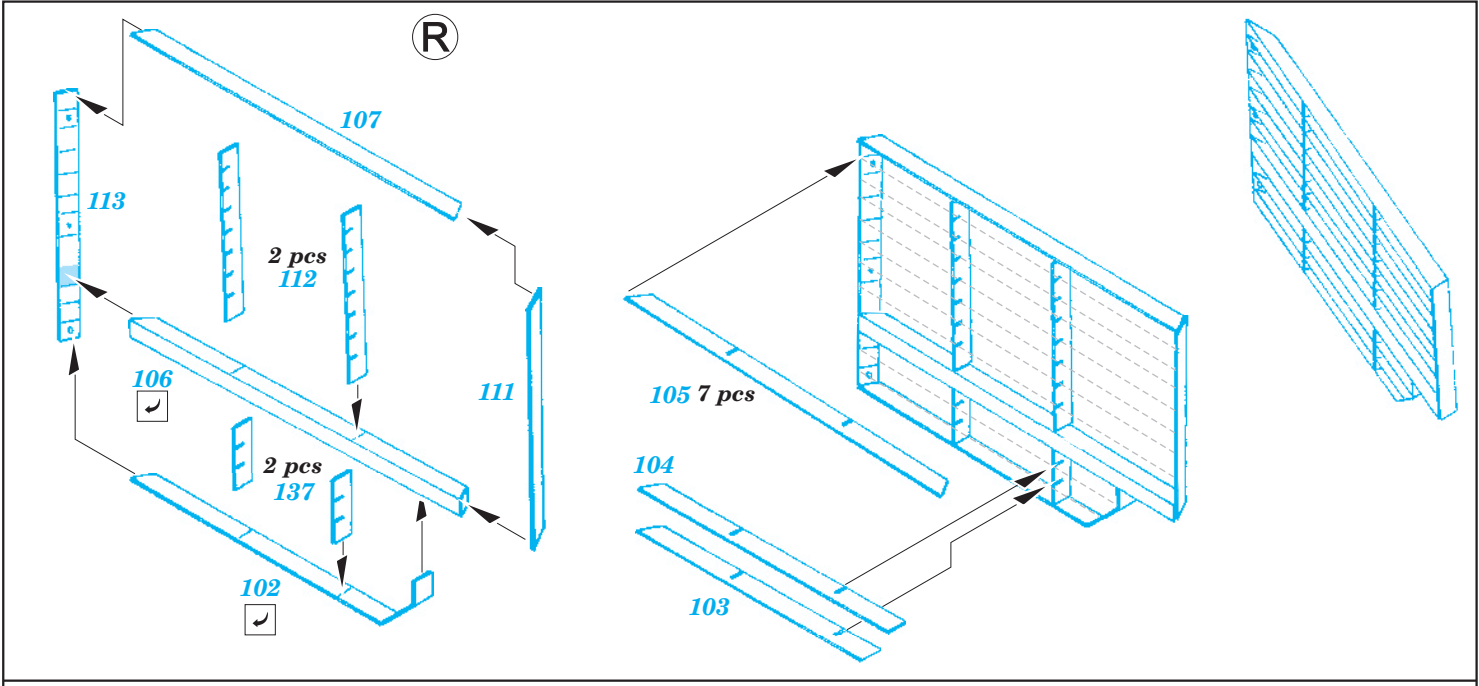
L

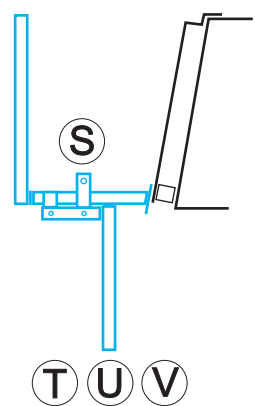
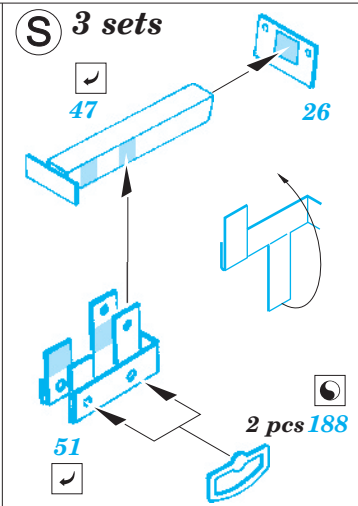
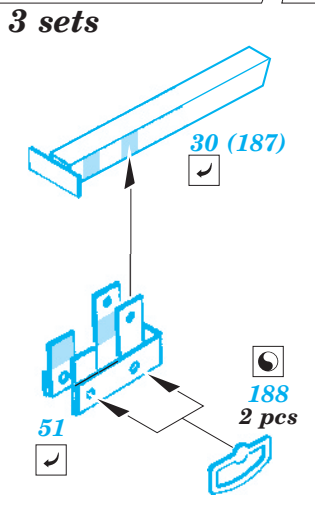
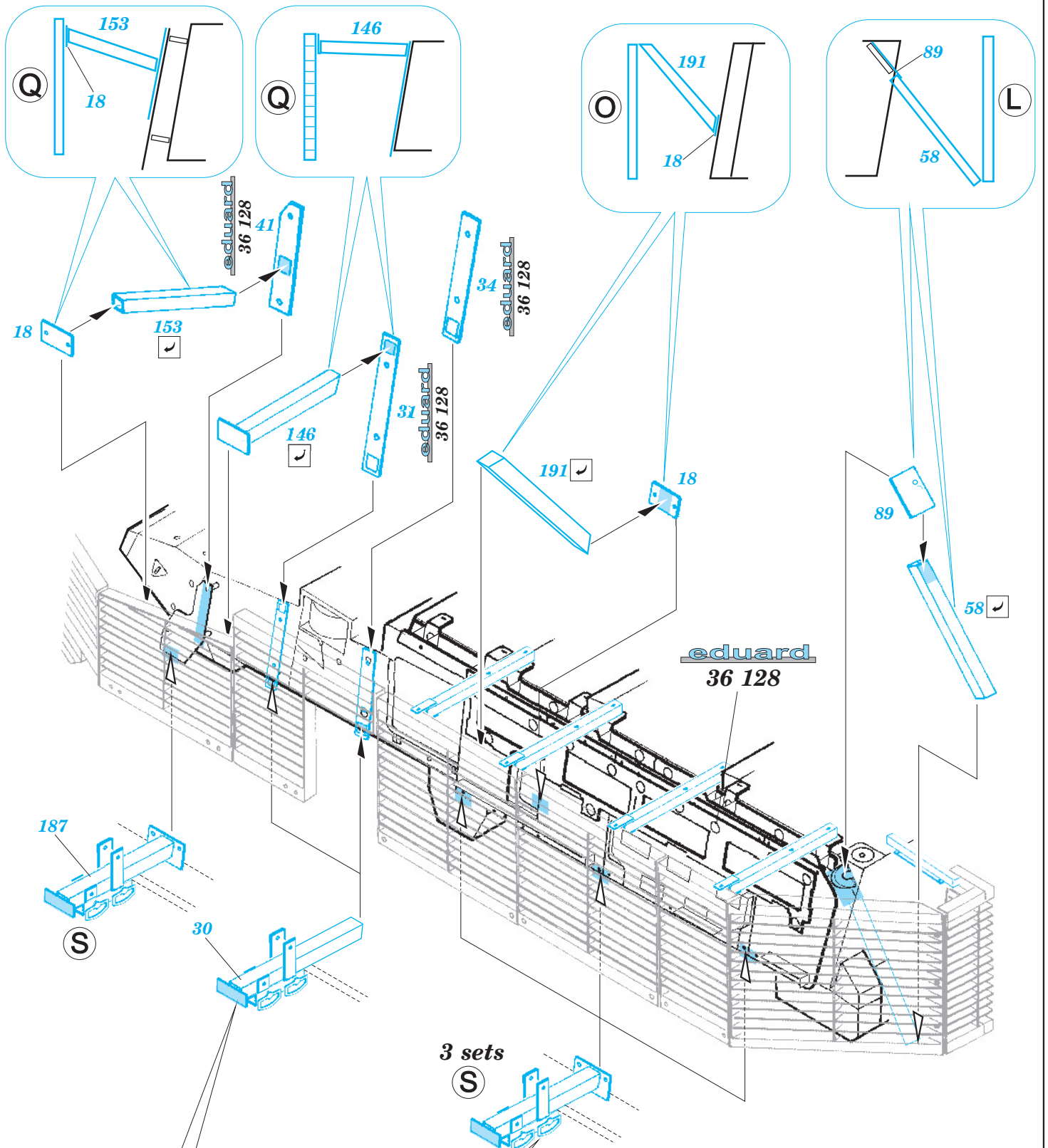


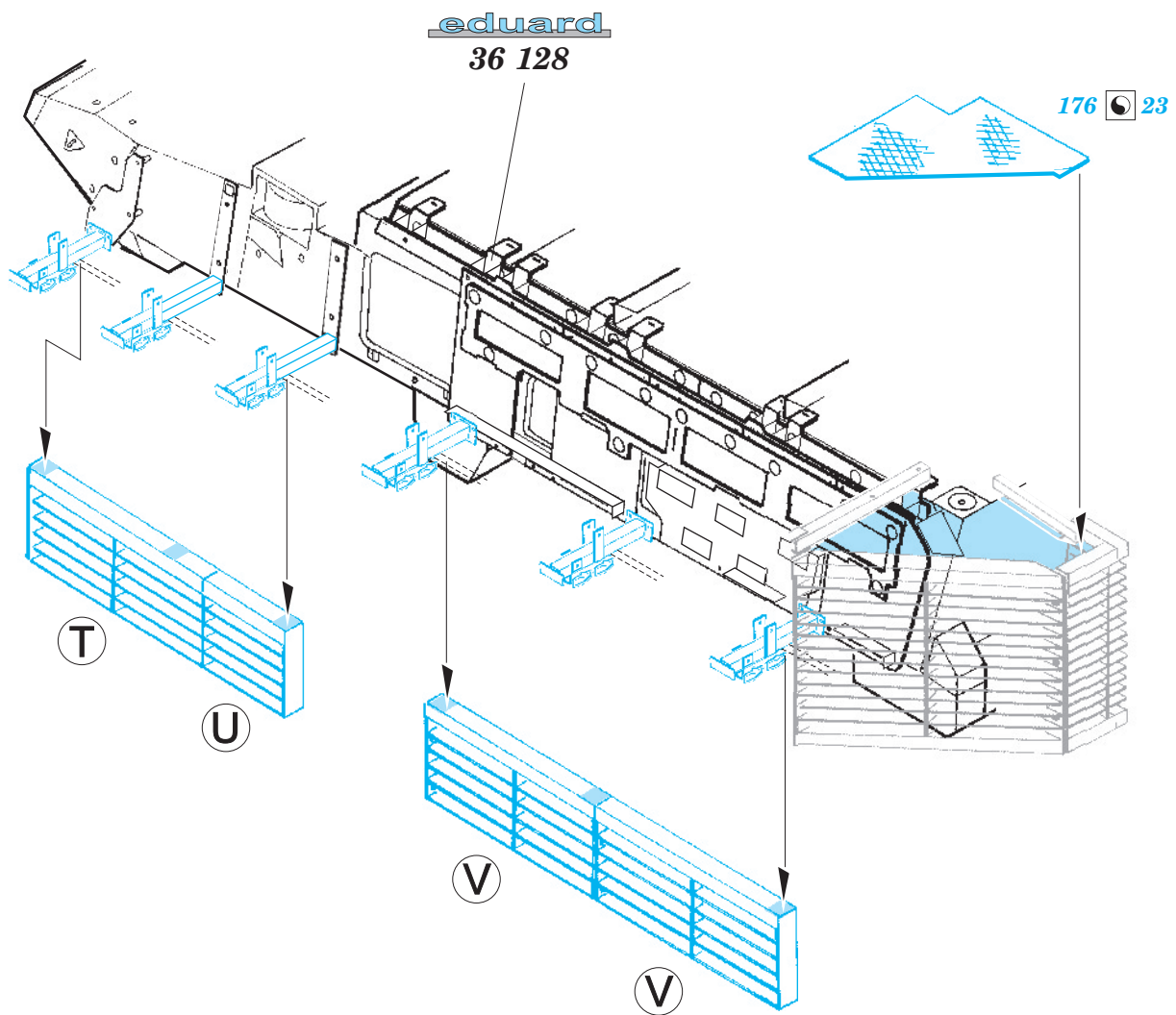
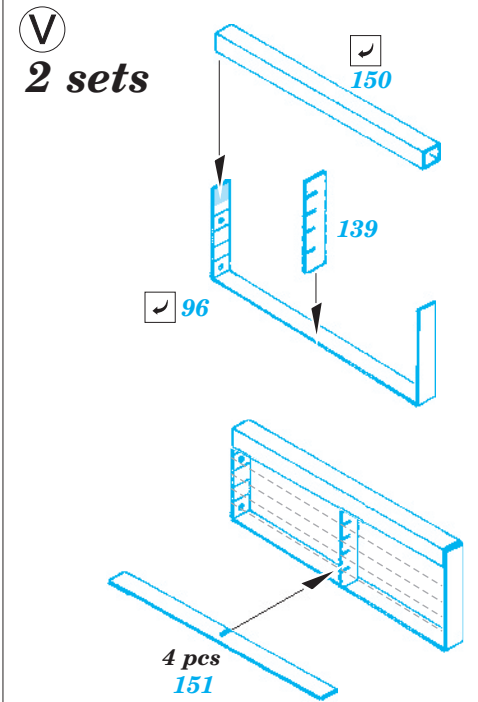
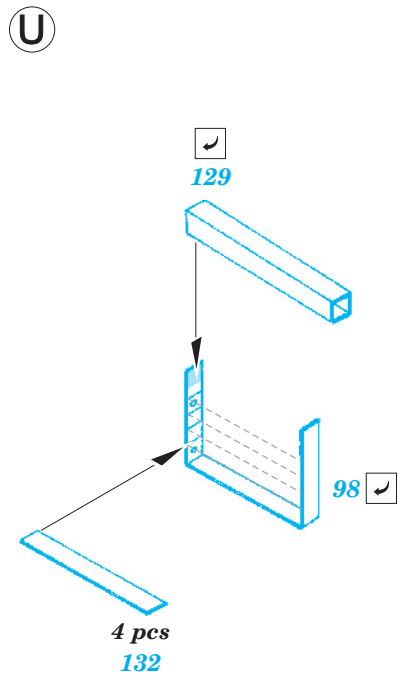
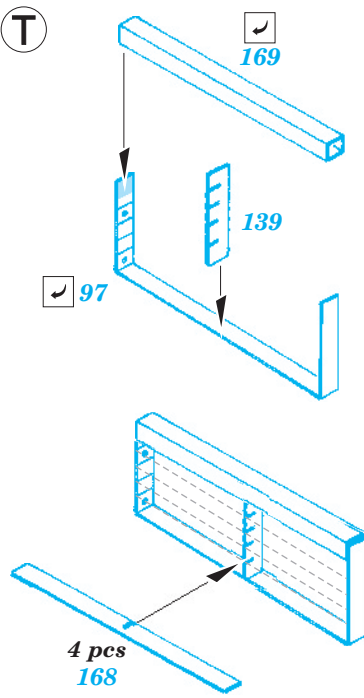
M

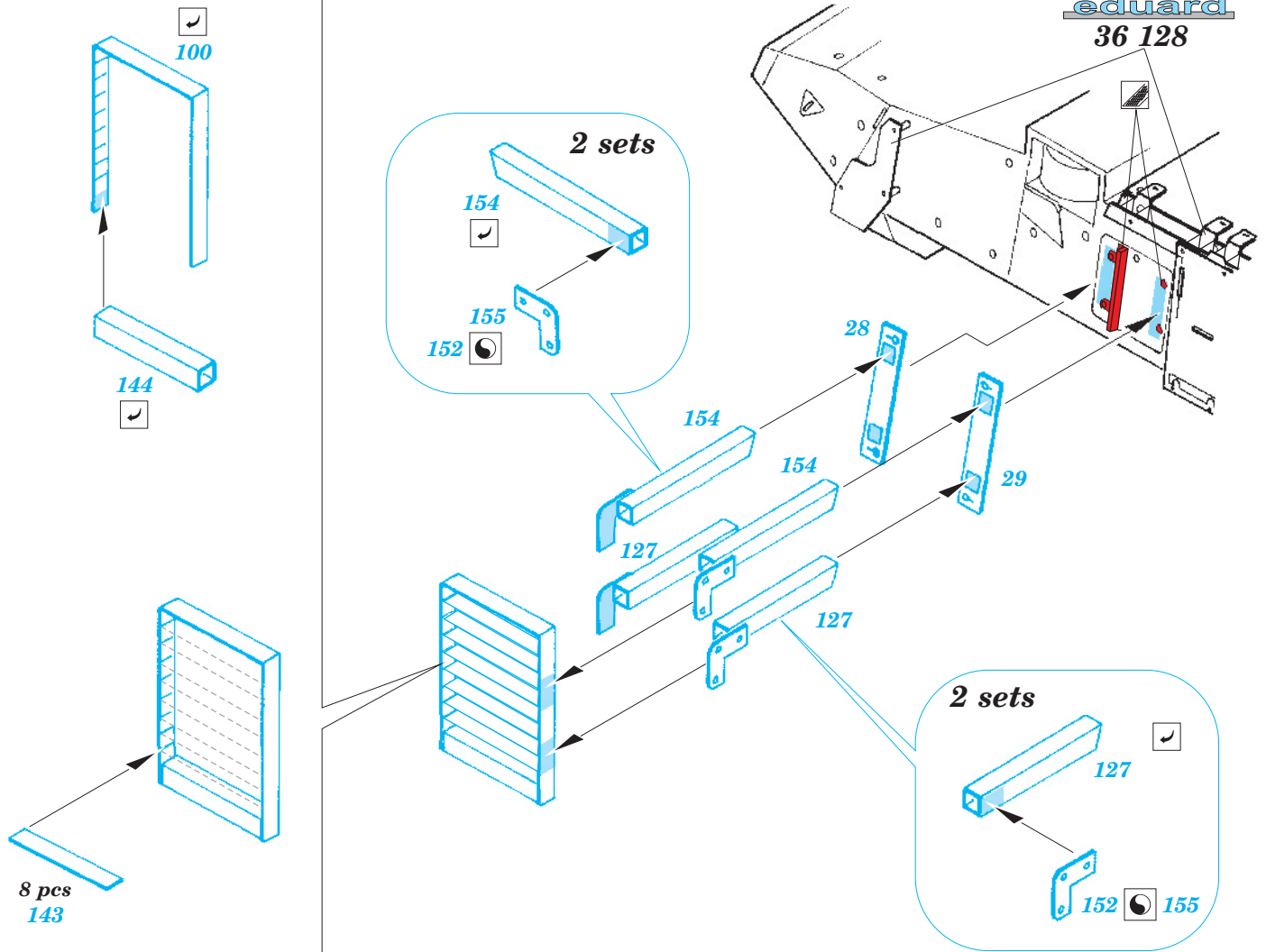






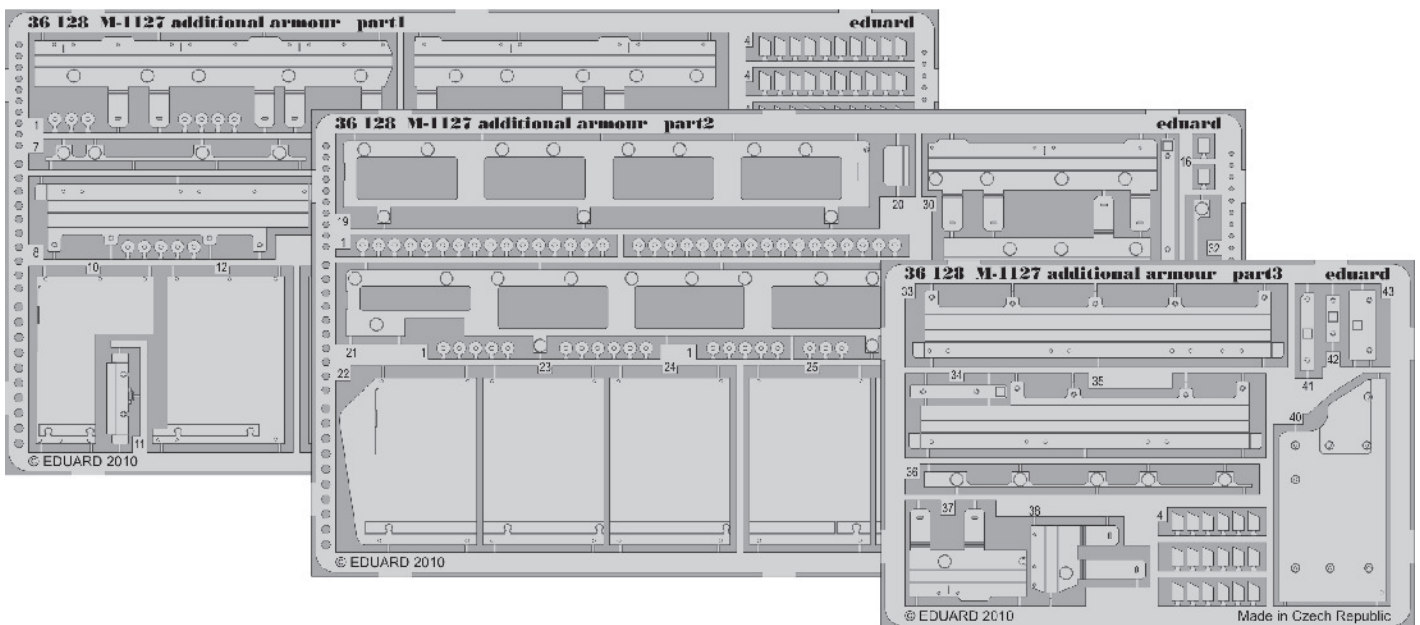






References: <http://www.primeportal.net/apc/stryker.htm>

This set must be used on base eduard 36 128 M-1127 additional armour (not included in this set)



For further detail sets look for eduard 36 061 M-1127 RV, 36 063 M-1127 mounted rack and belts, 36 091 M-1127 storage belts, 36 128 M-1127 additional armour, TP 096 Stryker exhaust deflector (not included in this set)