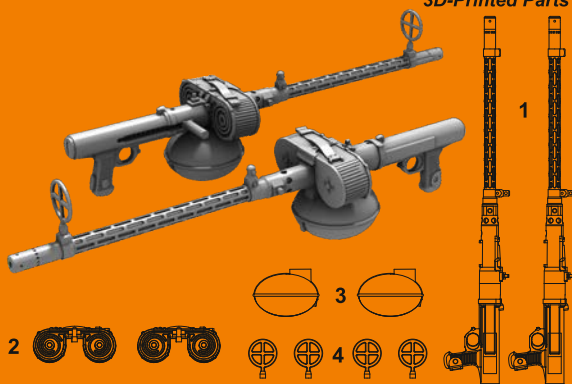


P32002
1/32

MG 15 Machine gun



3D-Printed Parts



Special Hobby 2024

Ohnuté 3D tisky narovnejte ponořením do horké vody, srovnejte je a zchladte studenou vodou. K lepení použít kyanoakrylátové lepidlo! Kontaktní plochy doporučujeme před lepením odmastit. Různé drátky a tyčinky nejsou přiloženy.

Bent 3D printed parts: put them into hot water, straighten them and cool them in cold water. For best result use cyanoacrylate glue! Ungreasing contact areas is recommended before gluing. Wires and rods not included.

www.cmkkits.com
www.specialhobby.eu
www.facebook.com/specialhobby/

Special Hobby also offers 1/32 resin sets
5145 German WWII Aircraft Maintenance Toolbox
and 5133 ESK 2000 B German WWII Gun Camera

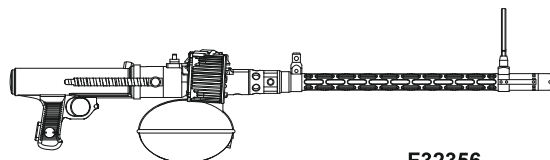
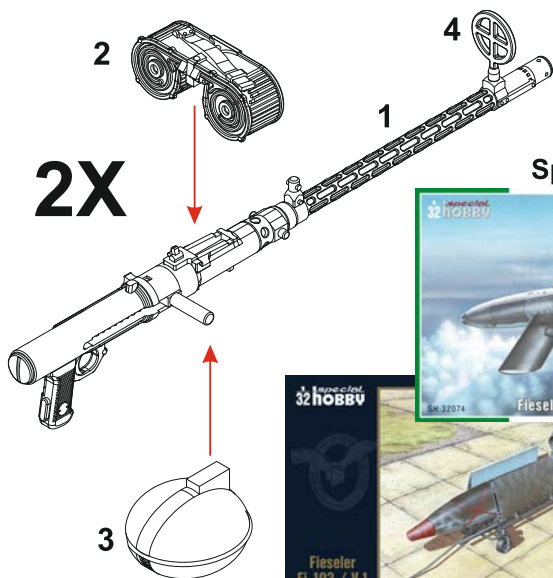


5145



5133

Special Hobby, Mezilesí 718, CZ - Praha 9, 193 00, e-mail: office@specialhobby.eu



Special Hobby offers as well: **F32356**
Luftwaffe Ground Crew
Pulling V1 on Trolley

