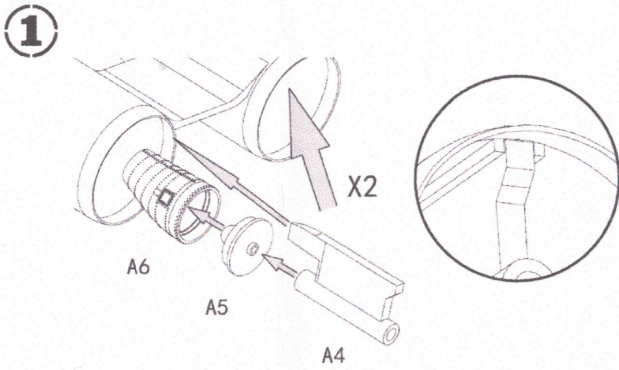
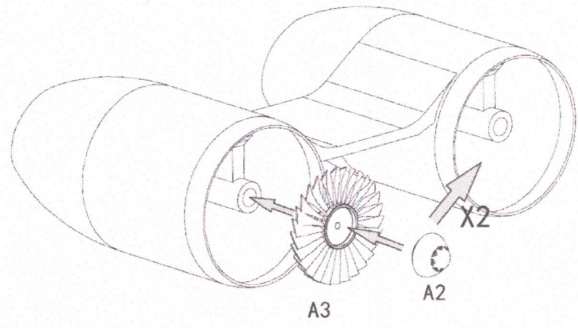


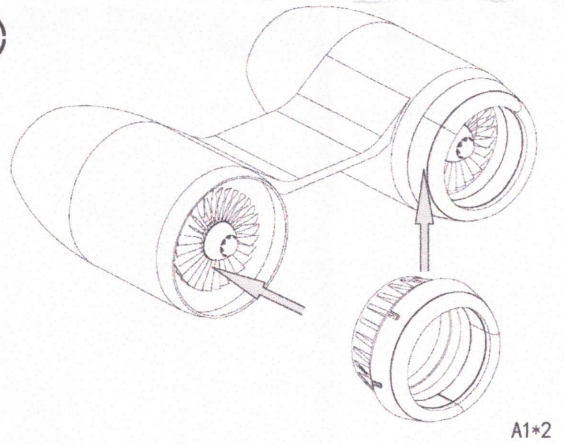
TIPS: · Check your reference before assembly.  
· Dry fit first, then glue the parts in proper position.



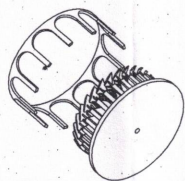
②



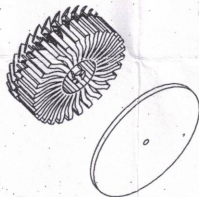
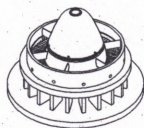
③



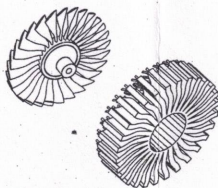
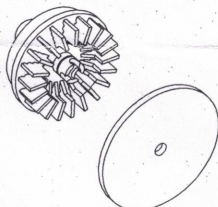
### Cutting Instructions



1. Remove the basket



2. Use a razor saw to cut off the baseboard



3. Use a sidecutter or a blade to separate the support tree/plate

