

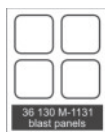
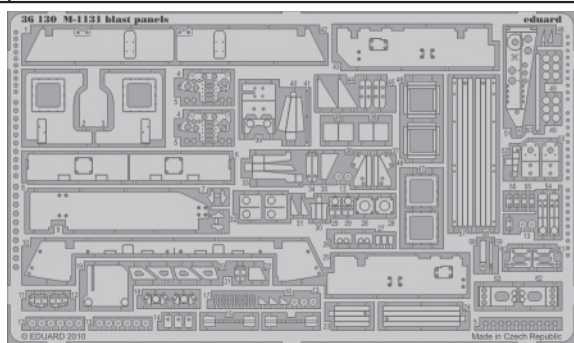


# M-1131 blast panels

1/35 scale detail set for Trumpeter kit • sada detailů pro model 1/35 Trumpeter

eduard

36 130



Film

- ★ APPLY EXPRESS MASK AND PAINT BEFORE GLUING  
POUŽIT EXPRESS MASK NABARVIT PŘED SLEPENÍM
- ☉ SYMMETRICAL ASSEMBLY  
SYMETRICKÁ MONTÁŽ
- ☐ REMOVE  
ODSTRANIT
- ☐ GRIND  
OBROUSIT
- ☐ DRILL HOLE  
VRTAT OTVOR
- ↪ BEND  
OHNOUT
- ? OPTION  
VOLBA
- Ⓜ REPLACE  
NAHRADIT

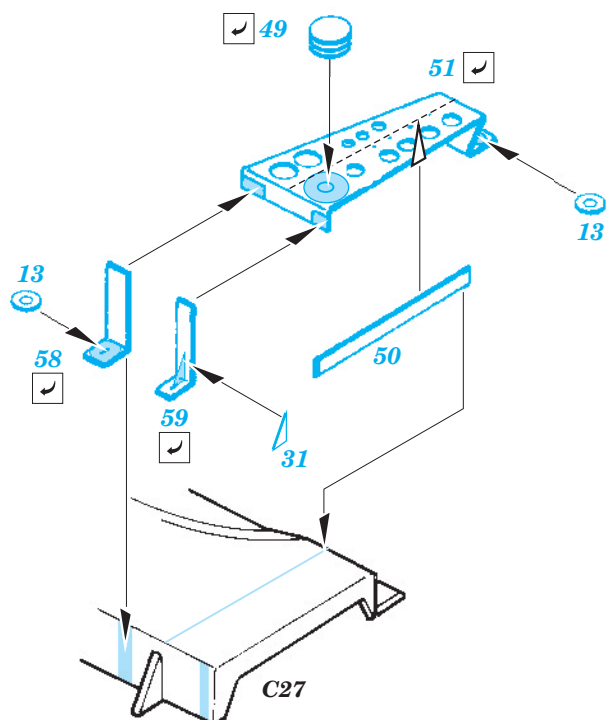
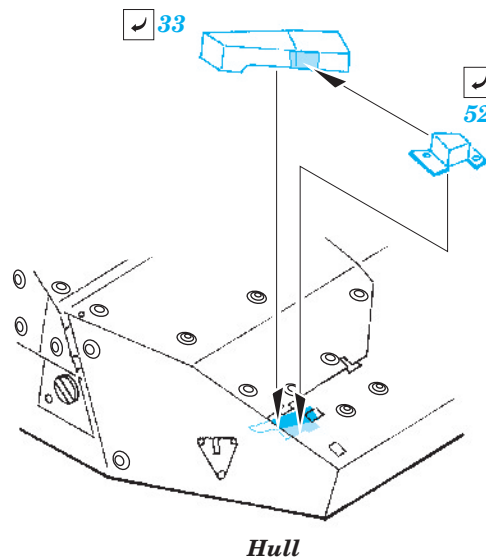
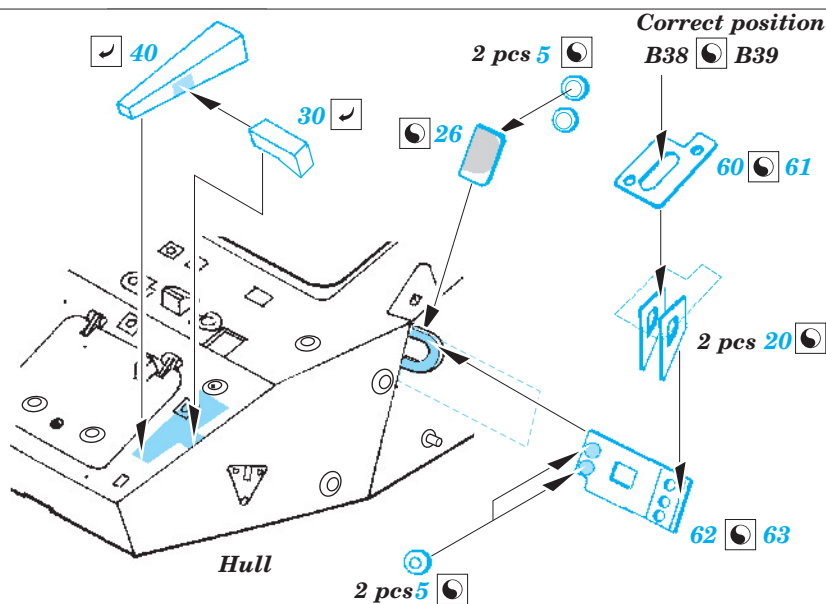
ORIGINAL KIT PARTS  
PŮVODNÍ DÍLY STAVEBNICE

PHOTO-ETCHED PARTS  
LEPTANÉ DÍLY

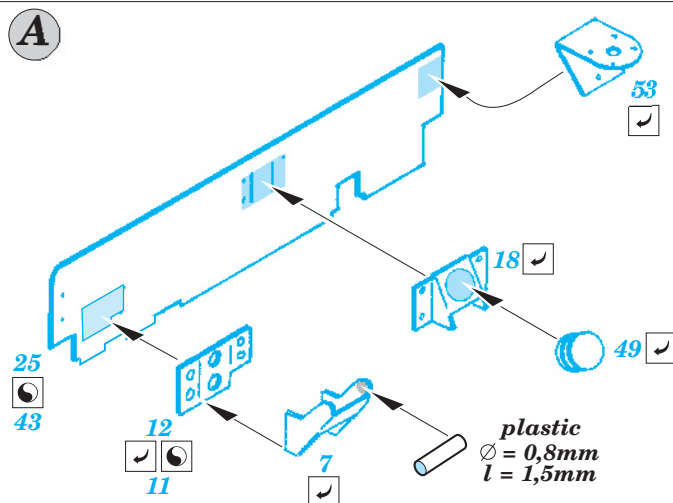
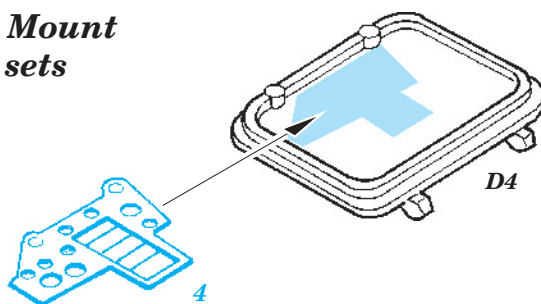
PARTS TO BE REMOVED  
DÍLY K ODSTRANĚNÍ

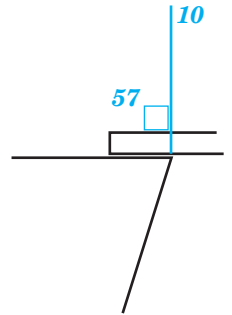
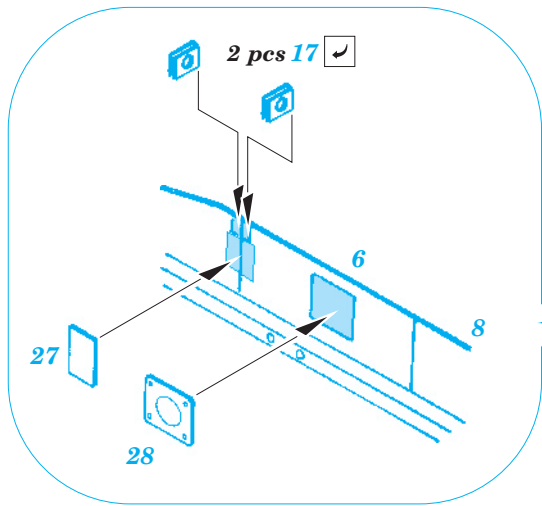
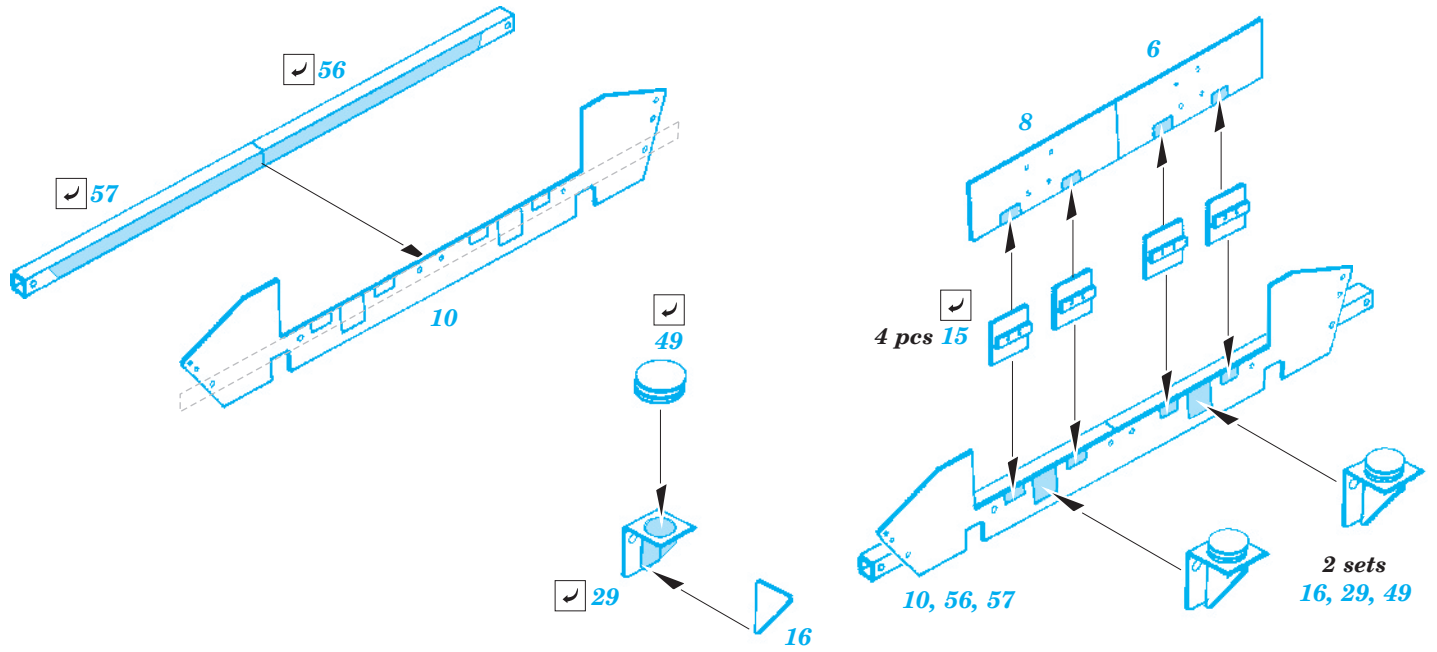
FILL  
TMELIT

**This set must be used on base eduard 36 129 M-1131 slat armour (not included in this set)**

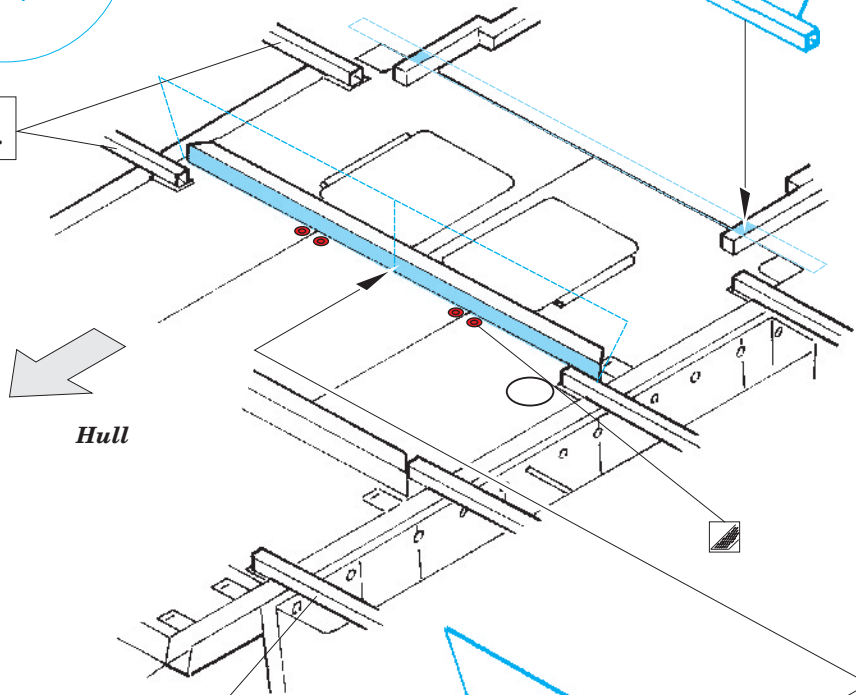


## MG Mount 2 sets

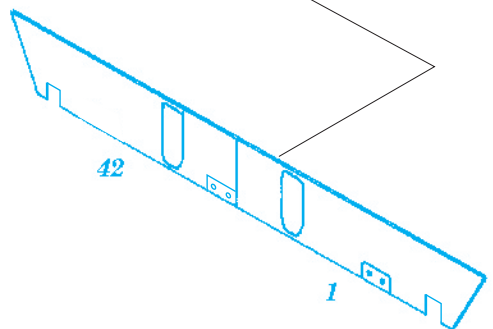




**eduard**  
36 129 M-1131 slat armour



**eduard**  
36 129 M-1131 slat armour



7, 12, 18, 25, 53

**A**

55

?

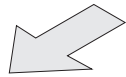
38

39

2 pcs 13

38

Hull



7, 11, 18, 43, 53

**A**

45

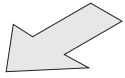
44

2 sets

32

2 pcs 13

Hull



37

36

**B**

22

21

23

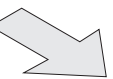
14

35

34

24

14



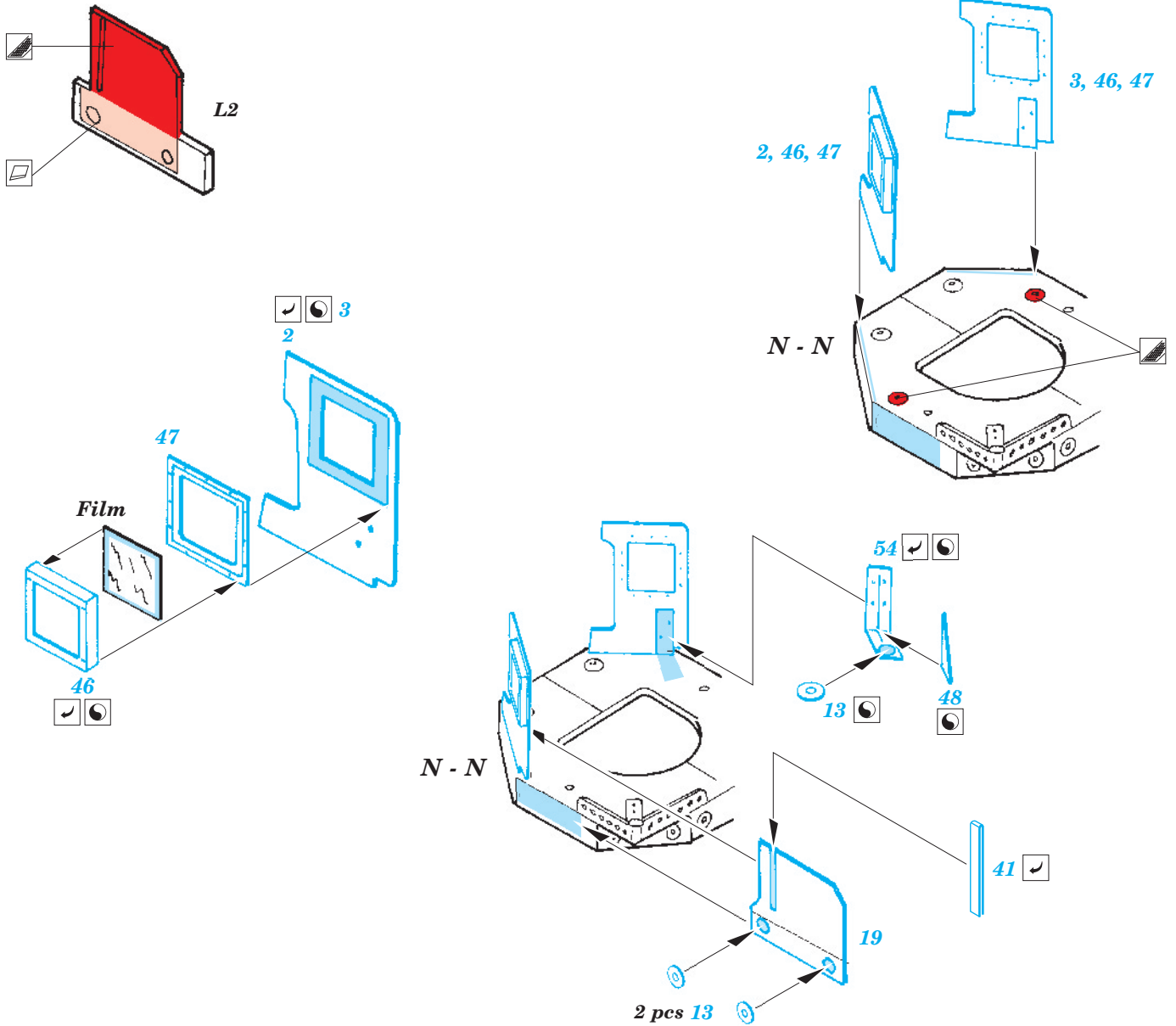
Hull

9

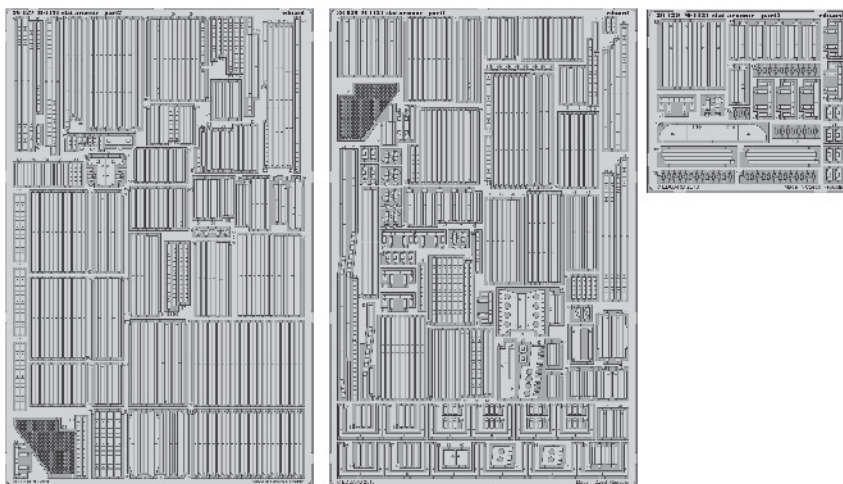
4 pcs 5

4 pcs 5

**B**



***This set must be used on base eduard 36 129 M-1131 slat armour (not included in this set)***



***For further detail sets look for eduard 36 132 M-1131 FSV, 36 124 M-1131 mounted rack and belts, 36 120 M-1131 add. armour, 36 122 M-1131 storage belts and TP 096 Stryker exhaust deflector (not included in this set)***