
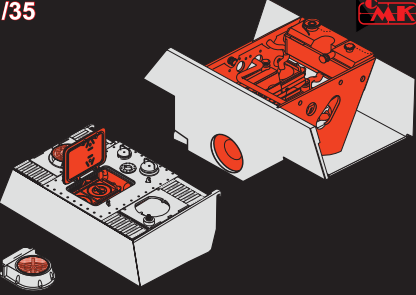



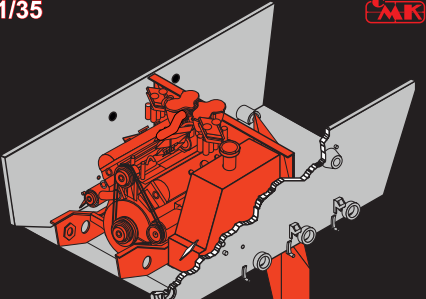
1/35 



Jagdpanther - Engine set


3131 Jagdpanther - Engine set 1/35
(contains photo etched parts, complete engine compartment, engine and engine cover) for Tamiya kit

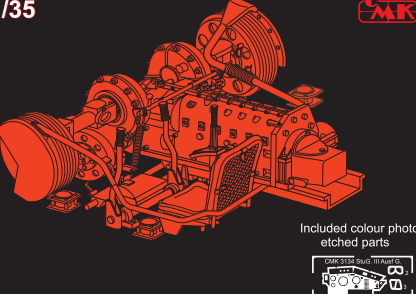
1/35 




Pz.III Ausf. E/F/J/L/N - Engine set

3133 Pz.III Ausf. E/F/J/L/N - Engine set 1/35
(contains photo etched parts, complete engine compartment and Maybach HL 120 TRM engine) for Dragon kit


1/35 

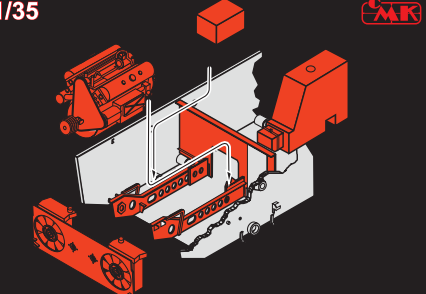


Included colour photo etched parts 

StuG. III Ausf. G - Driver's set


3134 StuG. III Ausf. G - Driver's set 1/35
(contains colour photo etched parts, complete driver's compartment, transmission, seat...) for Dragon kit

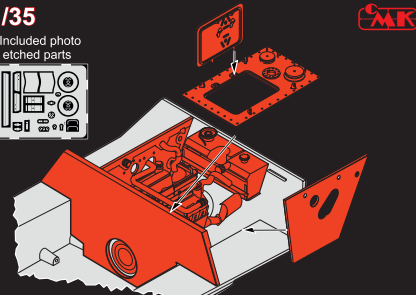
1/35 



StuG III Ausf. G - Engine set


3135 StuG III Ausf. G - Engine set 1/35
(contains highly detailed engine, engine bed and bulkheads, fuel and oil tanks, oil coolers and complete compartment) for Dragon kit


1/35 Included photo etched parts 

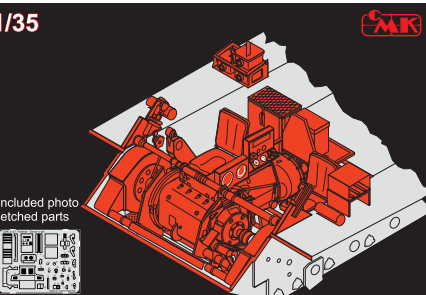


Panther Ausf. G - Engine set

3136 Panther Ausf. G - Engine set 1/35
(contains highly detailed engine, engine bed and bulkheads, fuel and oil tanks and complete compartment) for Dragon kit

1/35 

Included photo etched parts 



Panther Ausf. G - Interior set

3137 Panther Ausf. G - Interior set 1/35
(contains detailed driver's and radio operator's compartment including transmission, steering controls and other details, photo-etched parts..) for Dragon kit



Odlévaný set / All resin set

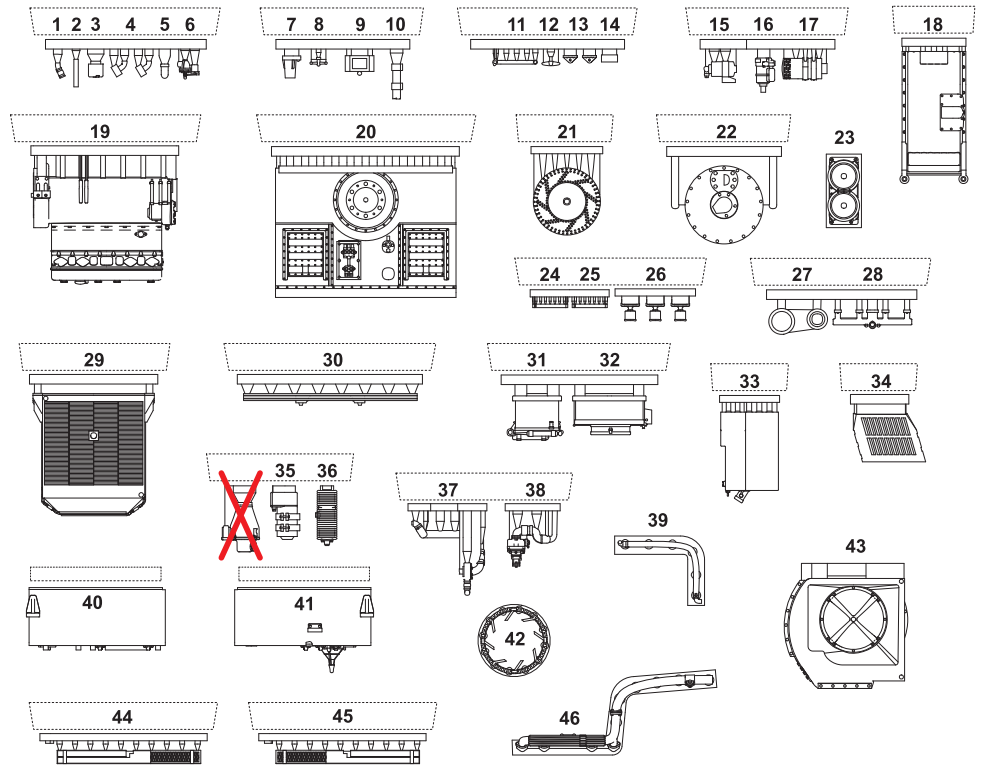
3142
1/35

Pz.38(t) Ausf. E/F Engine Set for Tamiya kit 35369

Visit our official website and e-shop at

www.cmkkits.com
www.specialhobby.eu







PUR - Polyurethane parts



Díly ohnuté popř. pokroucené vlivem teplotních změn a stárnutí materiálu, mohou být narovnané do požadovaného tvaru pomocí proudu teplé vody nebo vzduchu (fén na vlasy). Různé drátky a tyčky nejsou přiloženy. Kontaktní plochy doporučujeme před lepením odmastit.

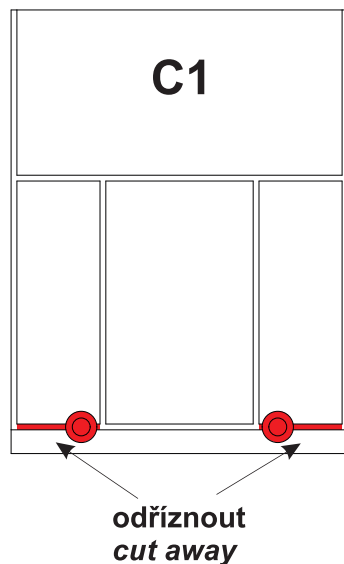
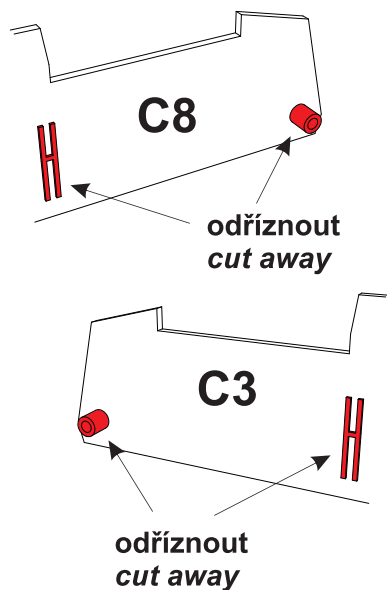
Parts slightly distorted and bent owing to temperature changes or due to material ageing can be straightened to requested shape by hot water or hot air jet (hair dryer). This process can be repeated till result is entirely satisfactory. Wires and rods not included. It is recommended to remove grease from contact areas

K lepení použít kyanoakrylátové lepidlo / For best gluing results use cyanoacrylate glue!

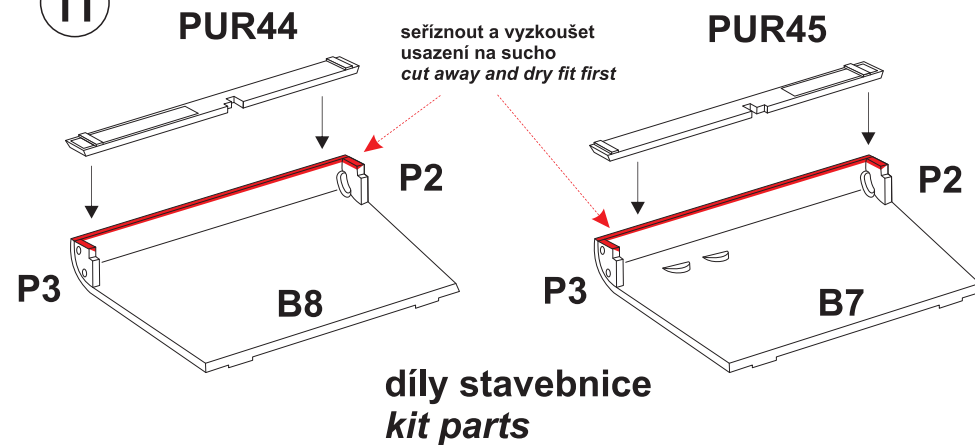
SYMBOLS					
	MOŽNOST VOLBY OPTIONAL NACH BELIEBEN OPTION		POUŽÍŤ KYANOAKRYLÁTOVÉ LEPIDLO INSTANT CYANOACRYLATE GLUE ZYANOAKRYLATKLEBER ADHESIF CYANOACRYLAT		OHNOUT BEND BIEGEN COURBER
	ZHOTOVIT NOVĚ SCRATCH BUILD FERTIGSTELLEN ACHEVER		ŘEZAT/VRTAT CUT OFF/DRILL ENTFERNEN DETACHER		NATŘÍT COLOUR FARBEN PEINDRE

1

díly stavěbnice kit parts



11

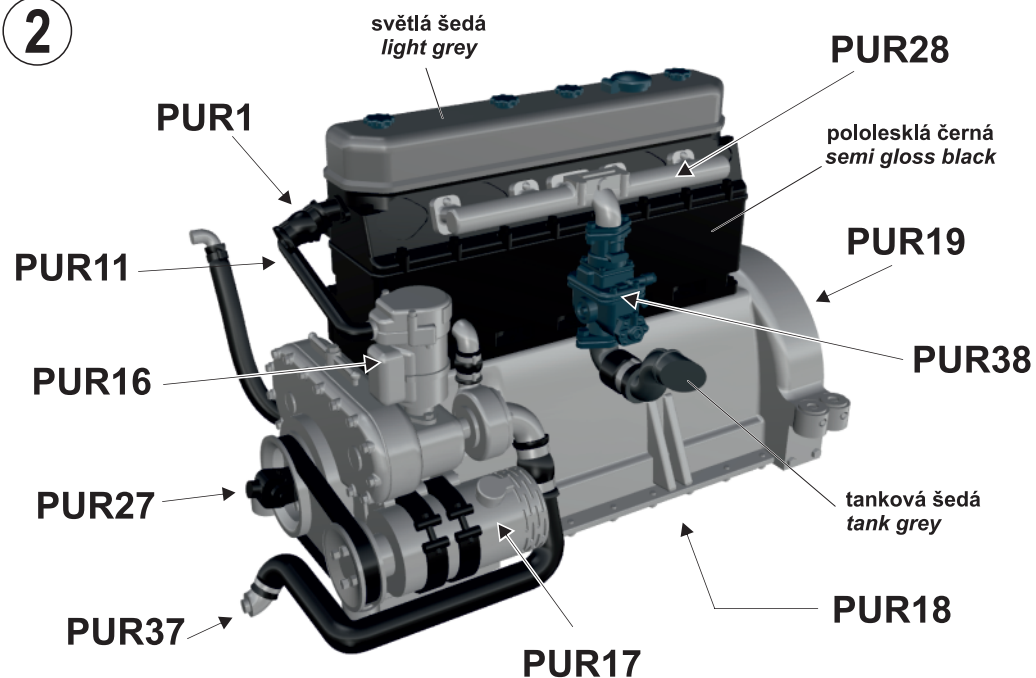


CMK H1010

The Razor Saw with Handle (cat. n. H1010) is a great tool for cutting both plastic and resin. CMK also offers a wide variety of coarse / medium / fine saws.

Other CMK resin kits, sets and figures

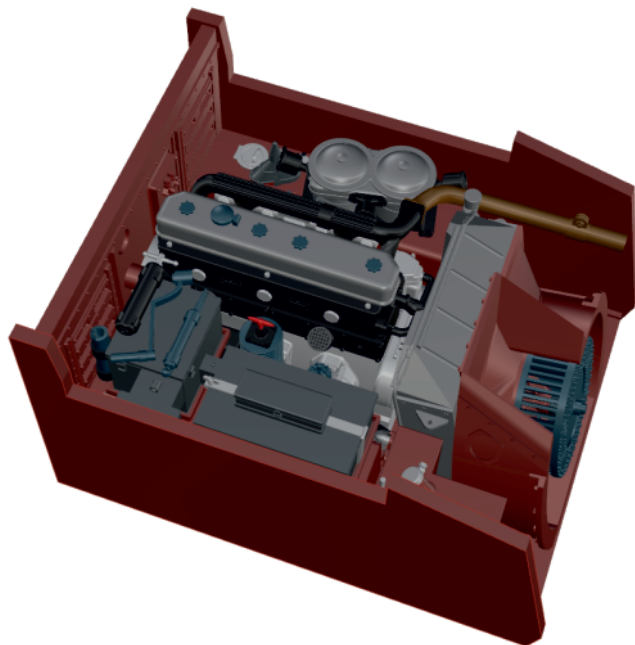
2



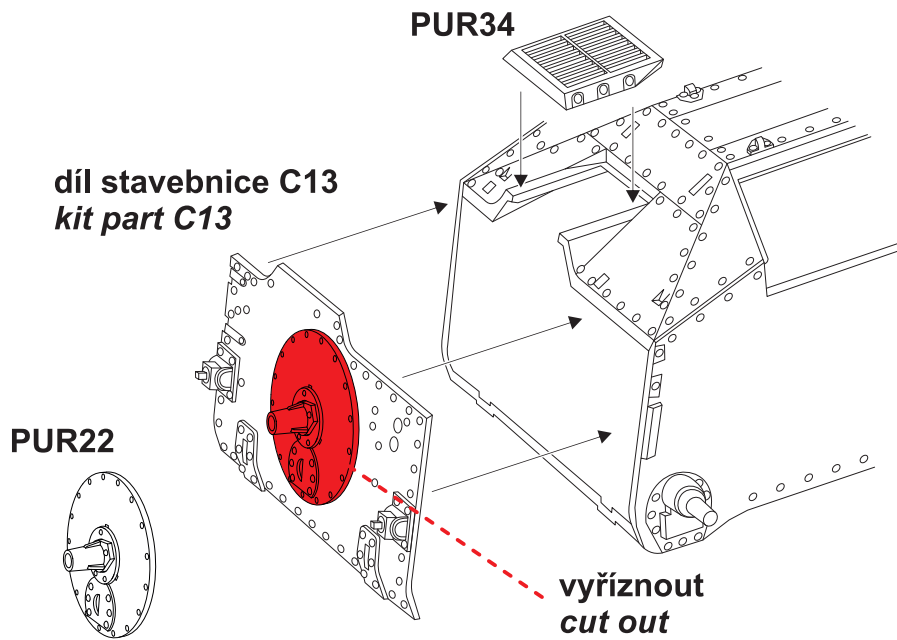
3141
Trailer for Goliath
Tracked Mine



9

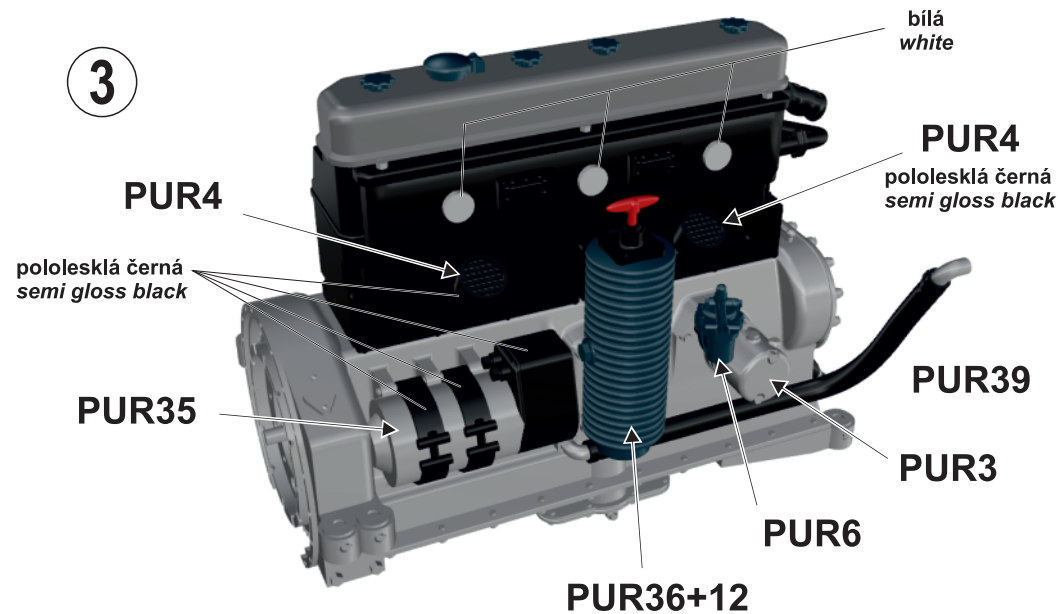


10

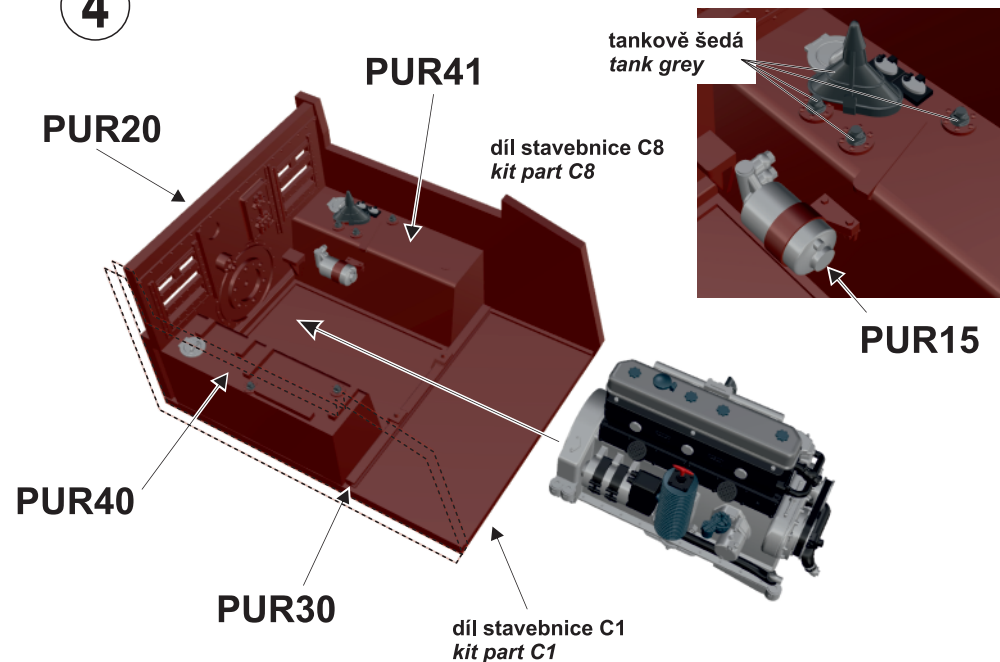


Možnost volby - krytem PUR22 uzavřete ventilátor nebo jej odložte vedle modelu
 Option - close the radiator fan with cover PUR22 or place the part besides the model

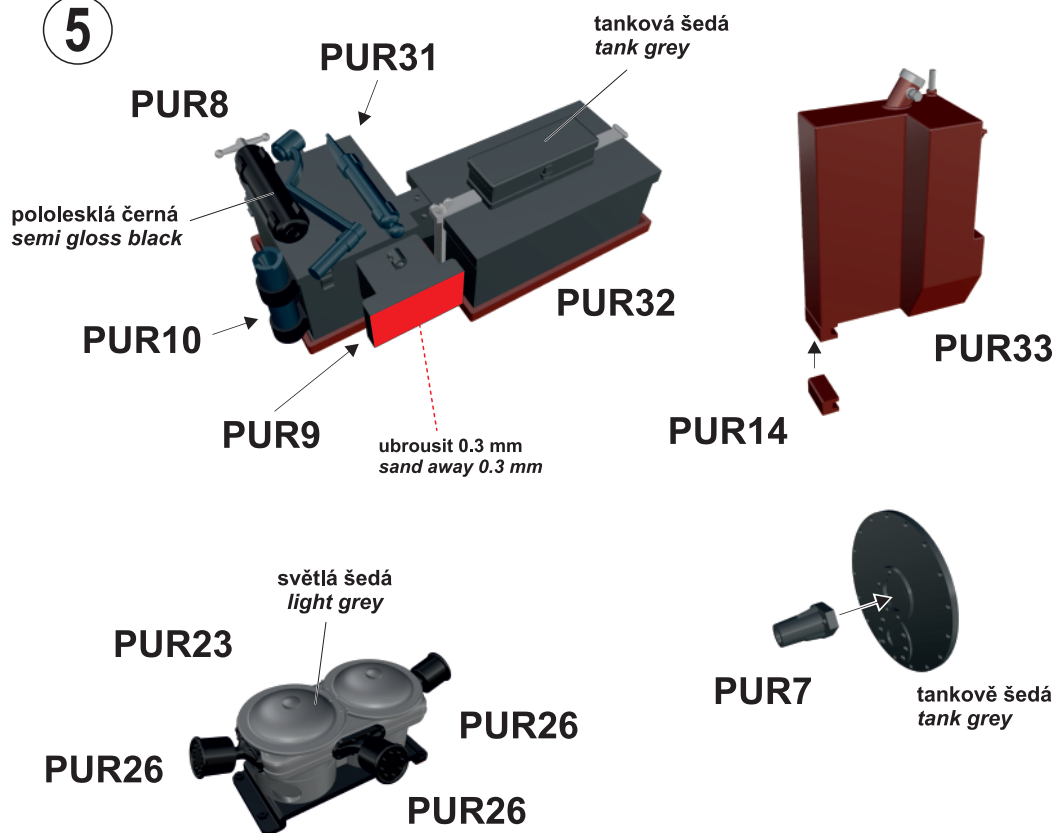
3



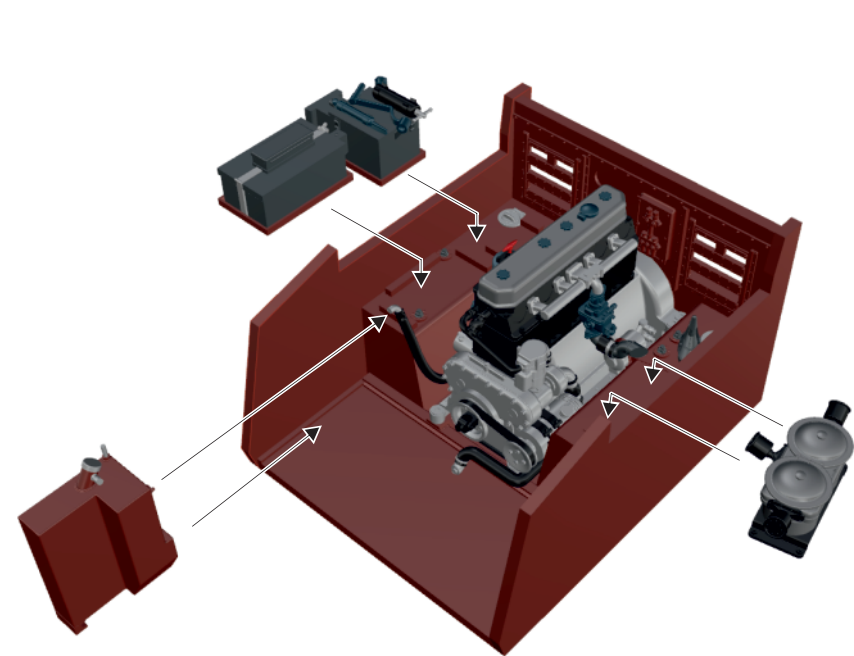
4



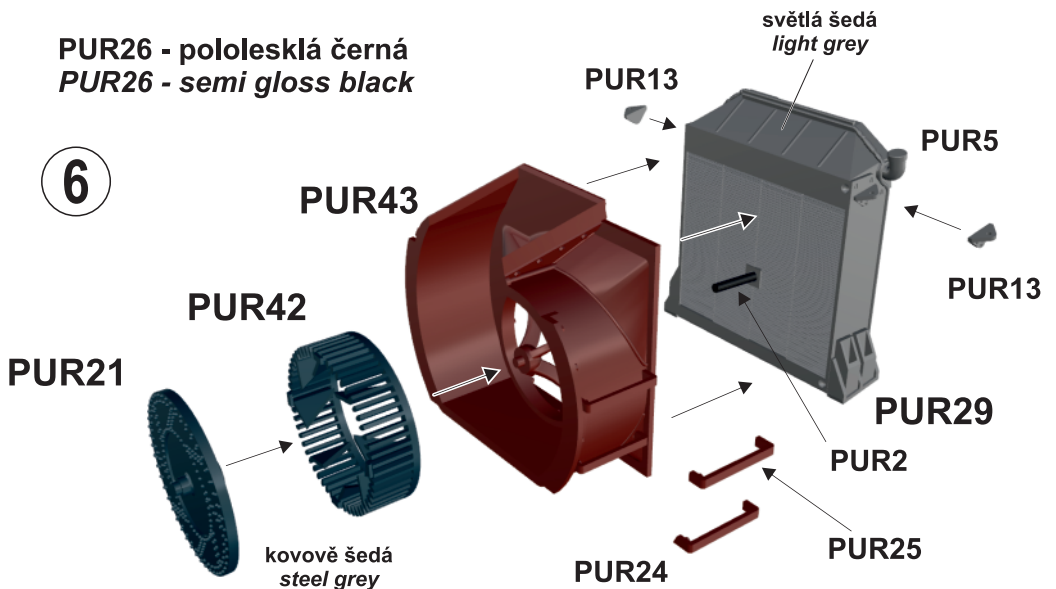
5



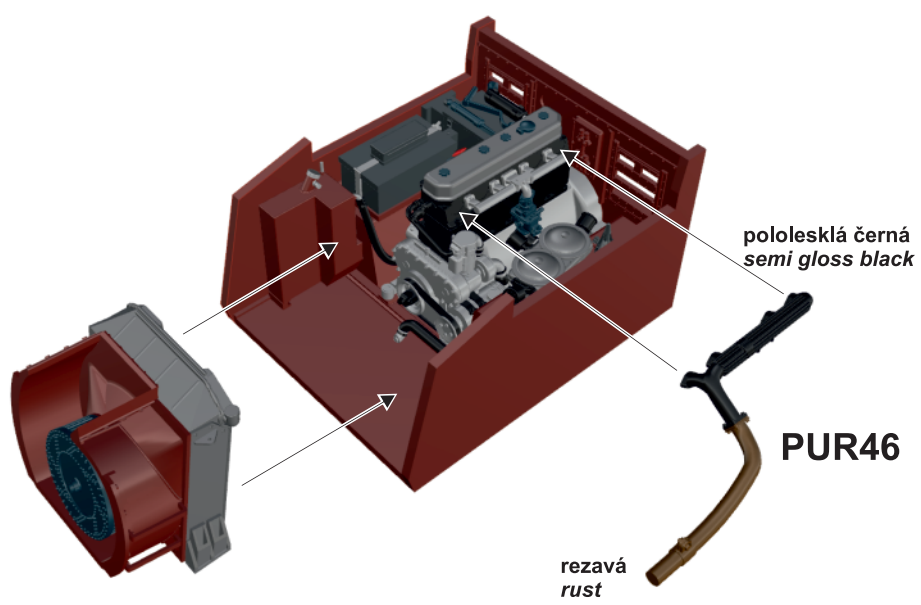
7



6



8



PUR46

rezavá rust