

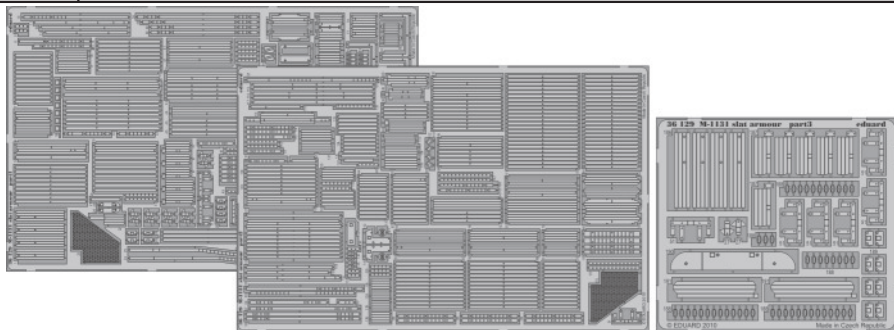


# M-1131 slat armour

eduard

36 129

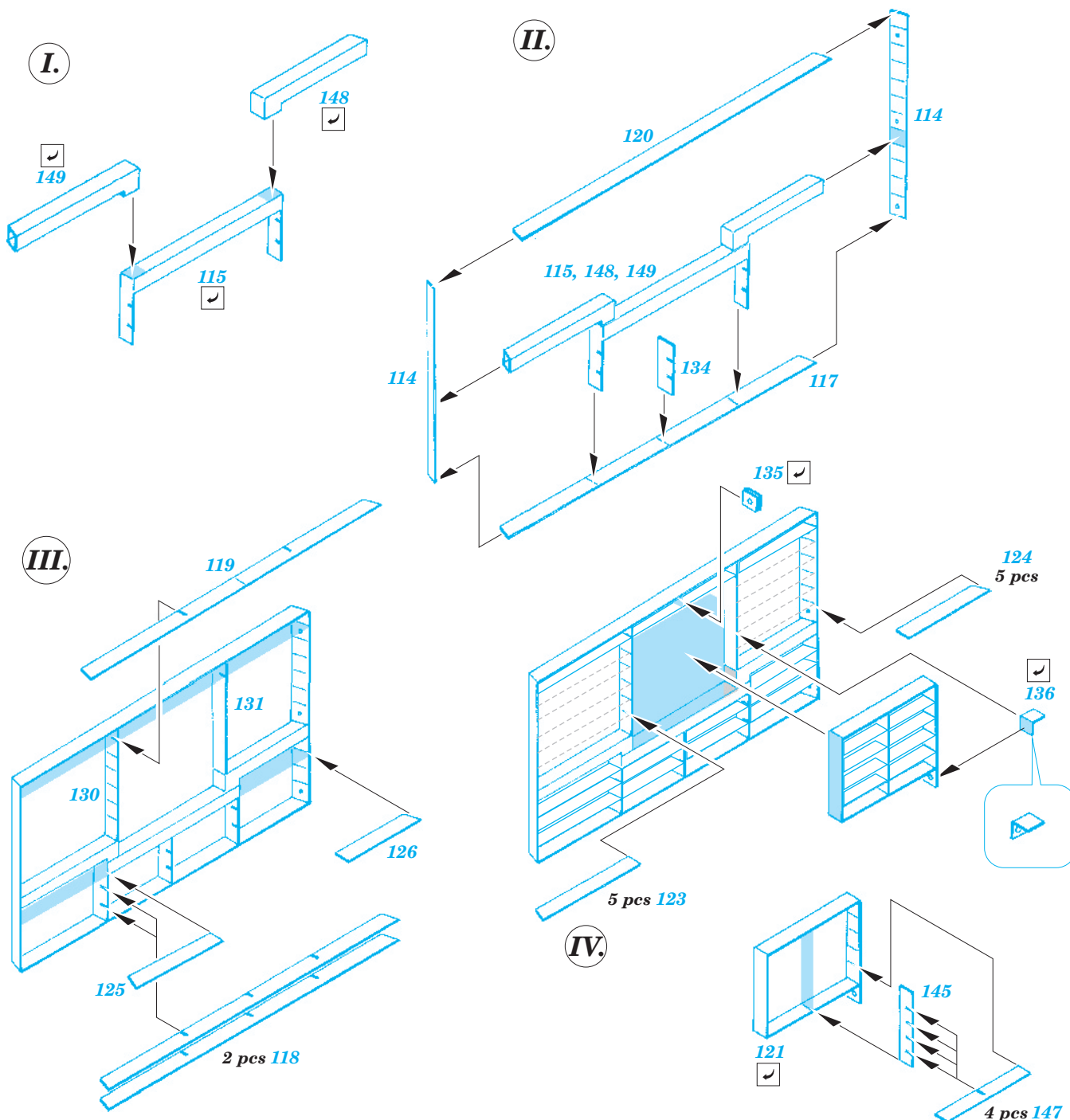
1/35 scale detail set for Trumpeter kit • sada detailů pro model 1/35 Trumpeter

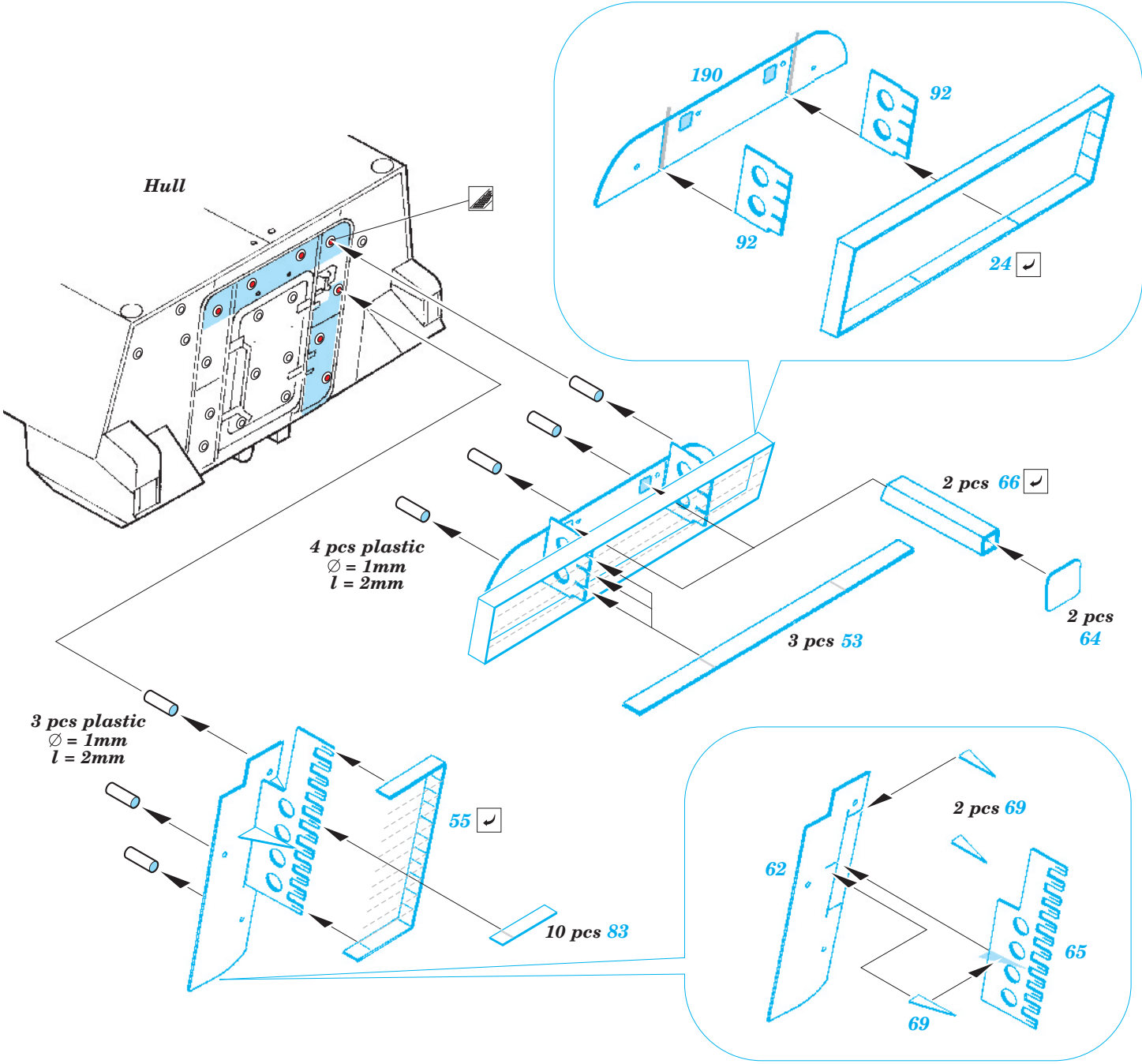
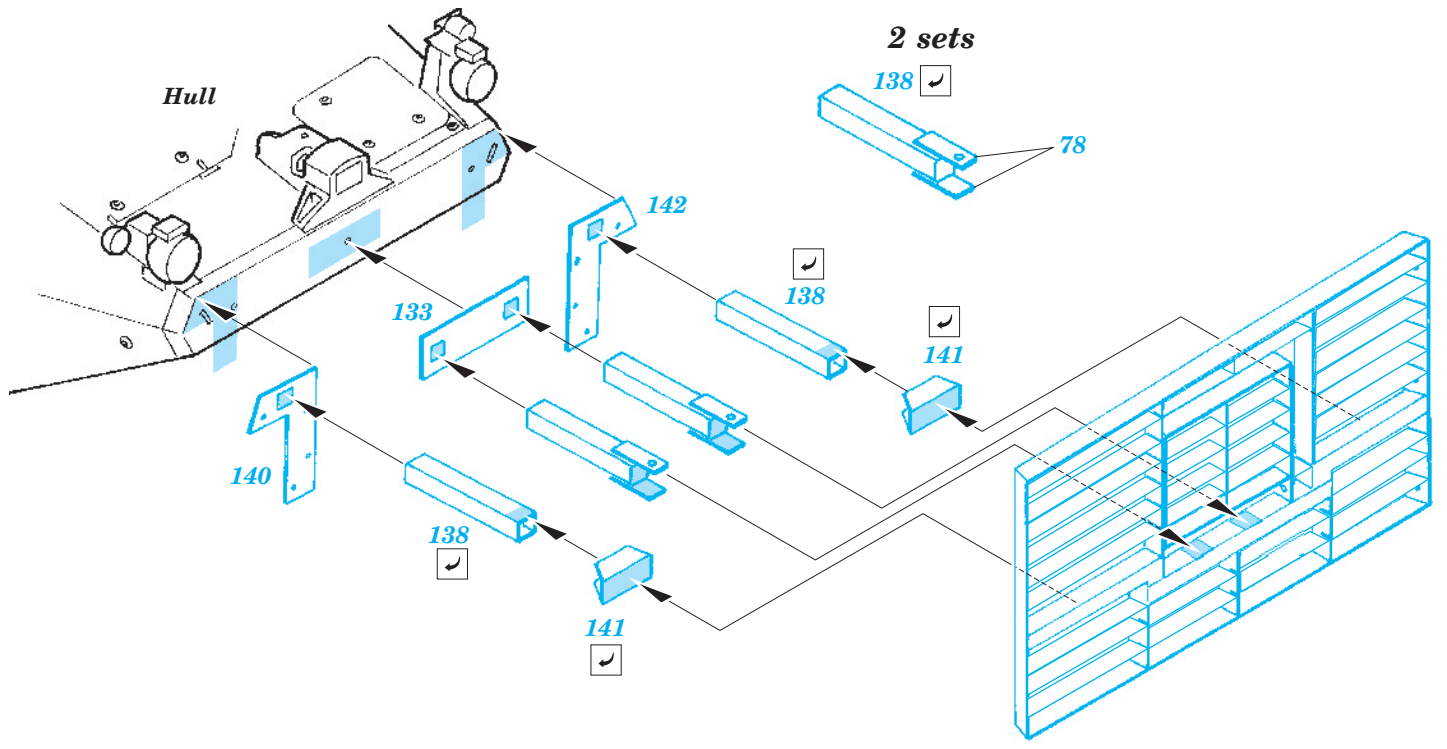


- APPLY EXPRESS MASK AND PAINT BEFORE GLUING  
POUŽIT EXPRESS MASK NABARVIT PŘED SLEPENÍM
- SYMETRICAL ASSEMBLY  
SYMETRICKÁ MONTÁŽ
- REMOVE  
ODSTRANIT
- GRIND  
OBROUSIT
- DRILL HOLE  
VRTAT OTVOR
- BEND  
OHNOUT
- OPTION  
VOLBA
- REPLACE  
NAHRADIT

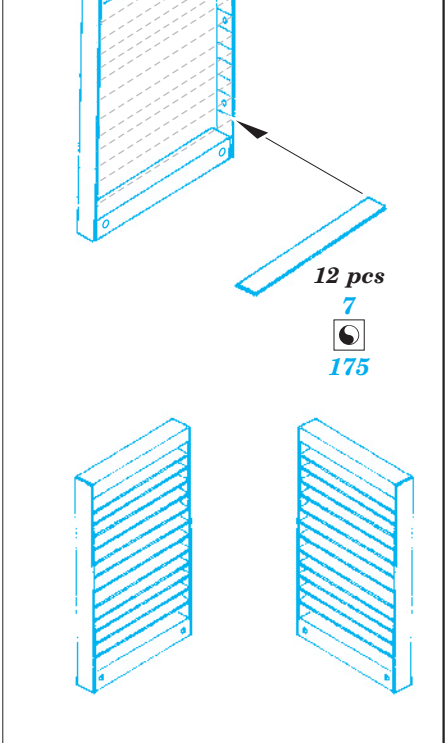
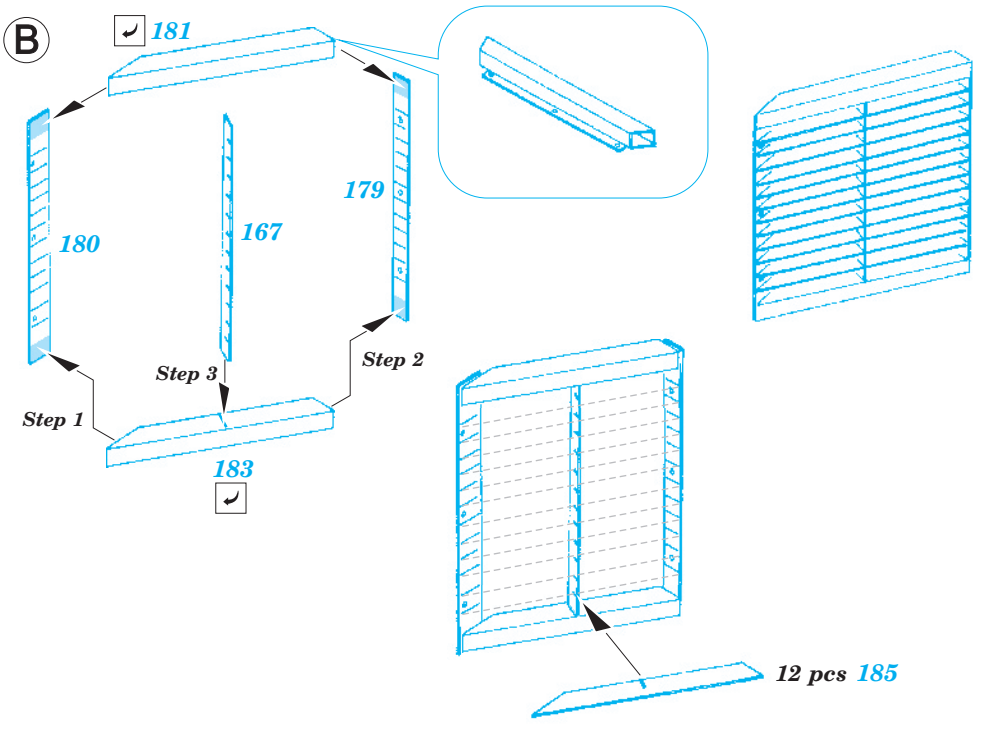
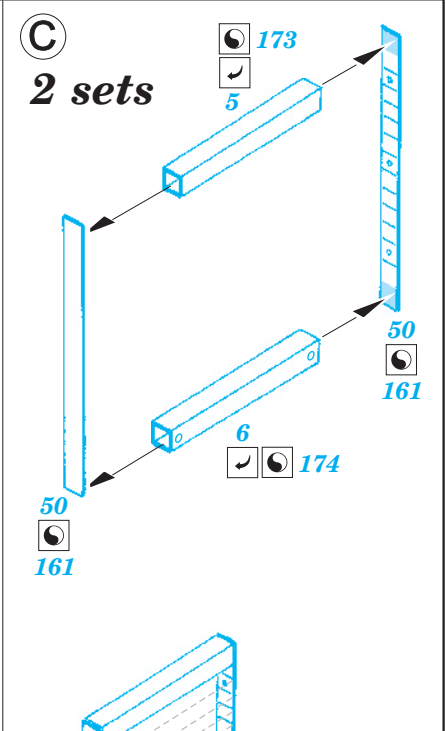
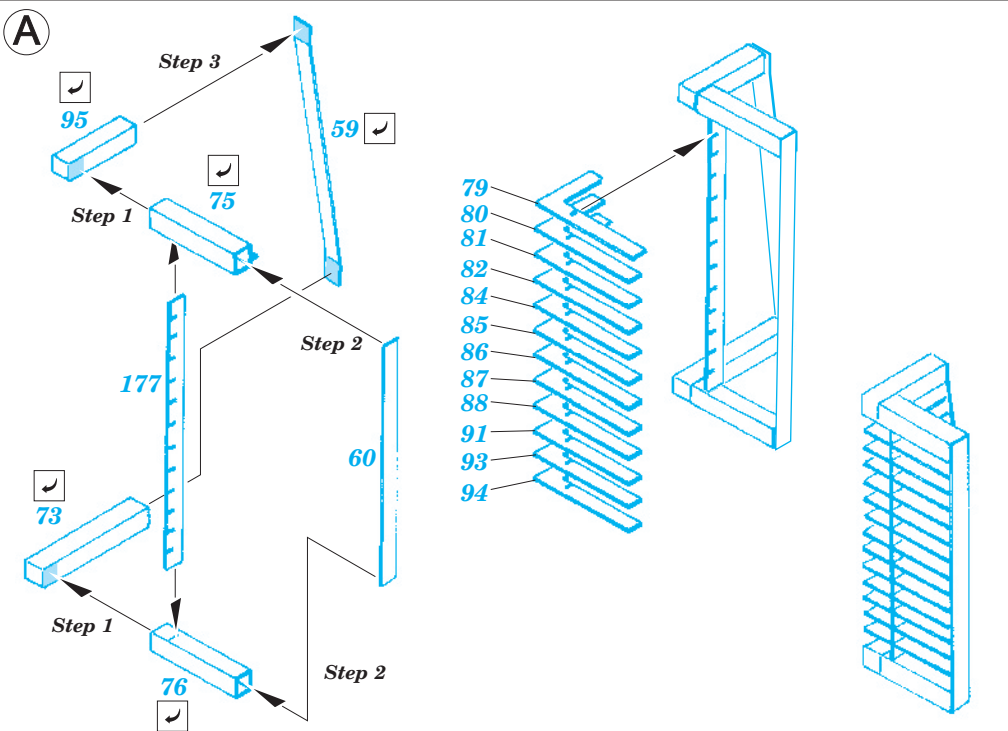
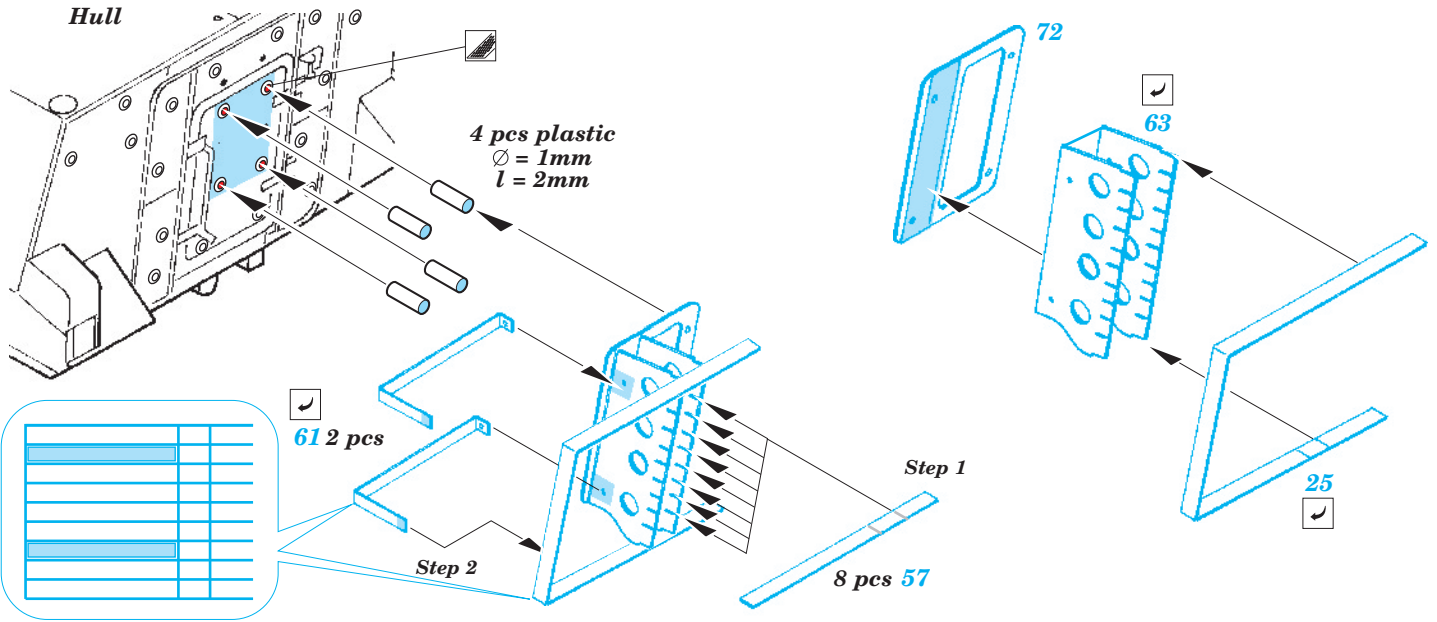
ORIGINAL KIT PARTS  
PŮVODNÍ DÍLY STAVEBNICE
  PHOTO-ETCHED PARTS  
LEPTANÉ DÍLY
  PARTS TO BE REMOVED  
DÍLY K ODSTRANĚNÍ
  FILL  
TMELIT

***This set must be used on base eduard 36 120 M-1131 additional armour (not included in this set)***

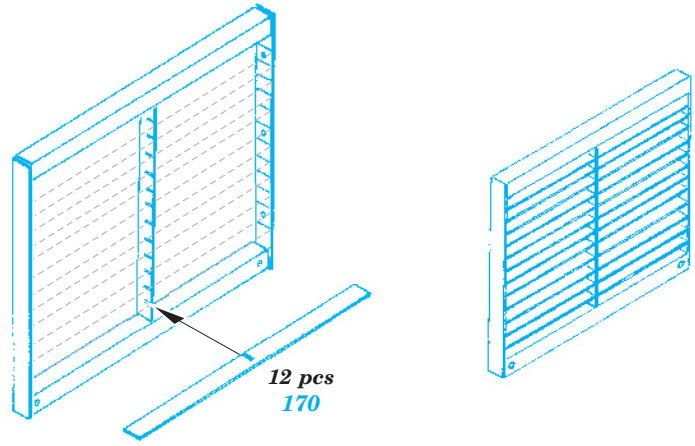
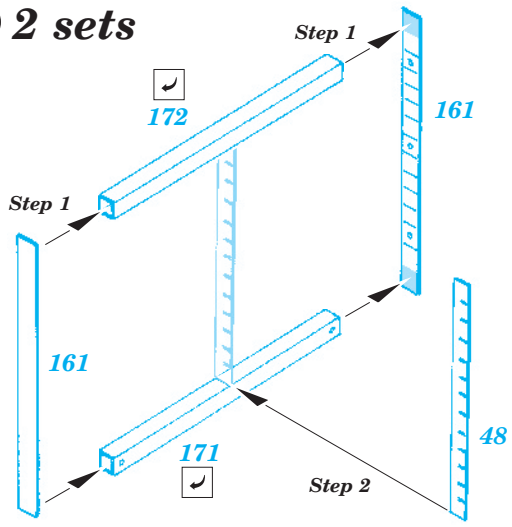




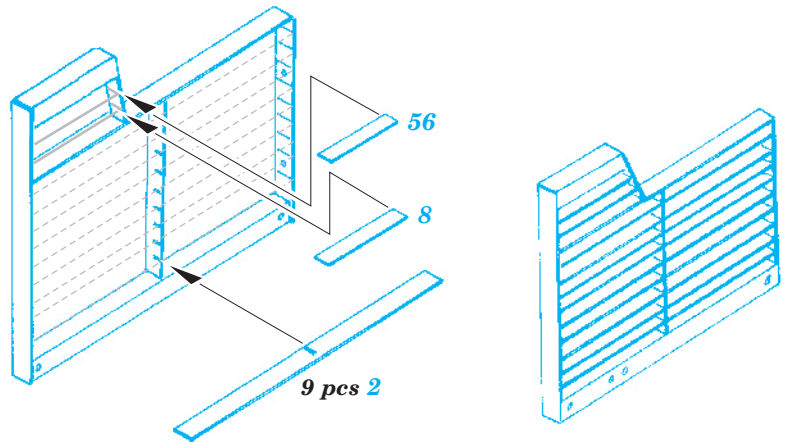
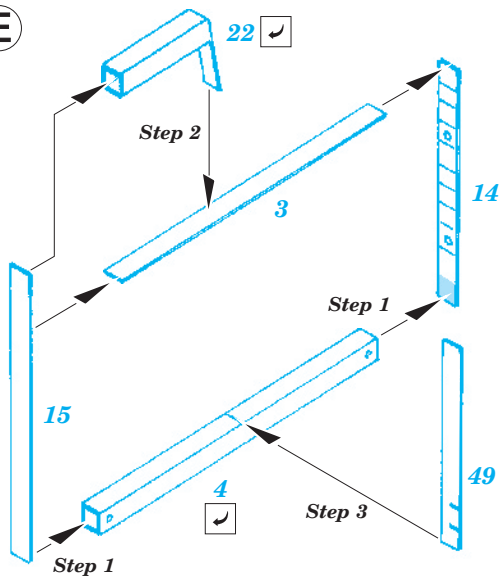
Hull



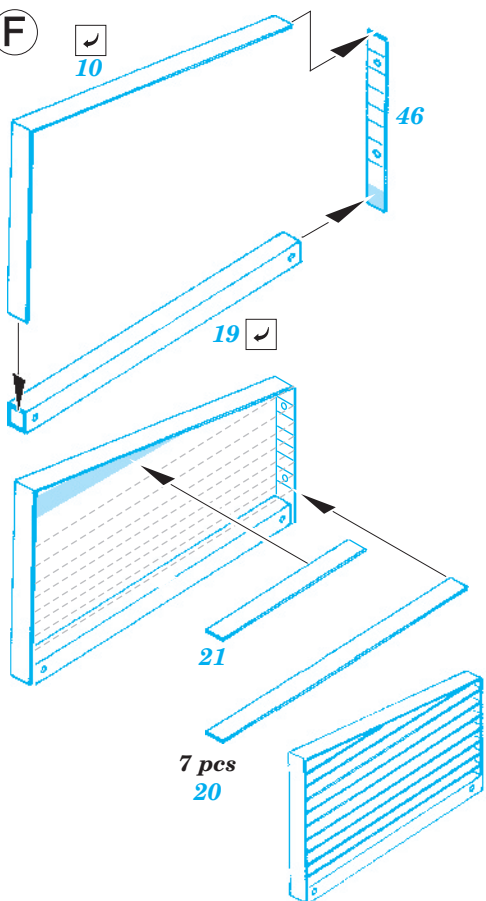
**D** 2 sets



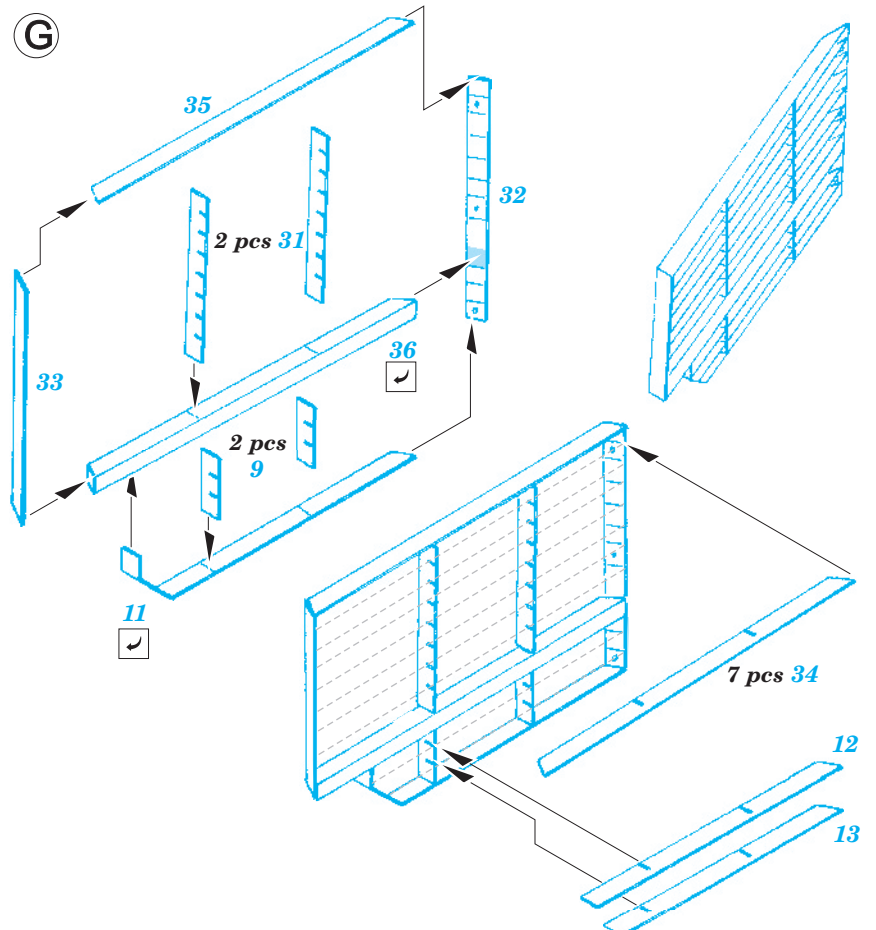
**E**

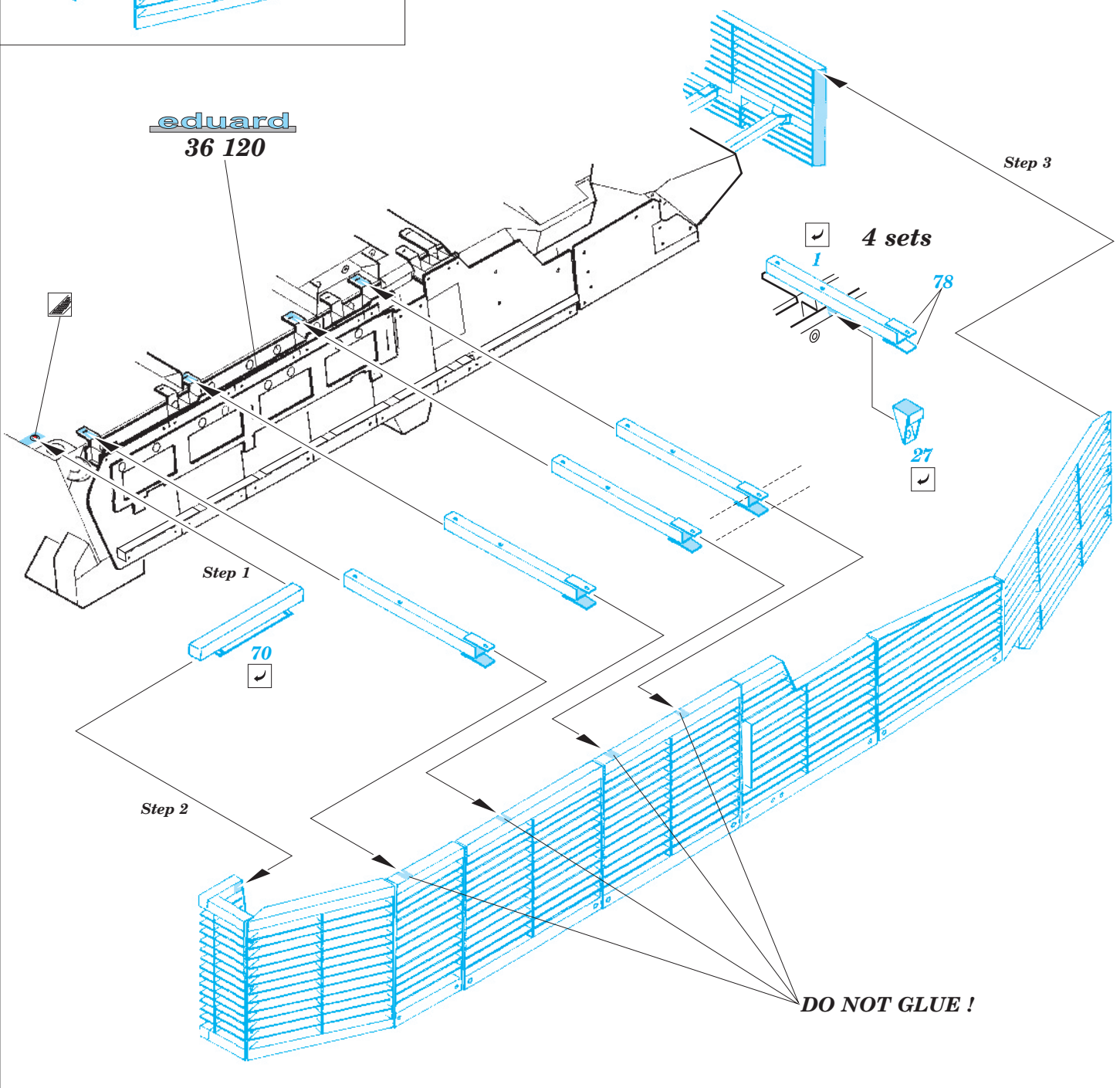
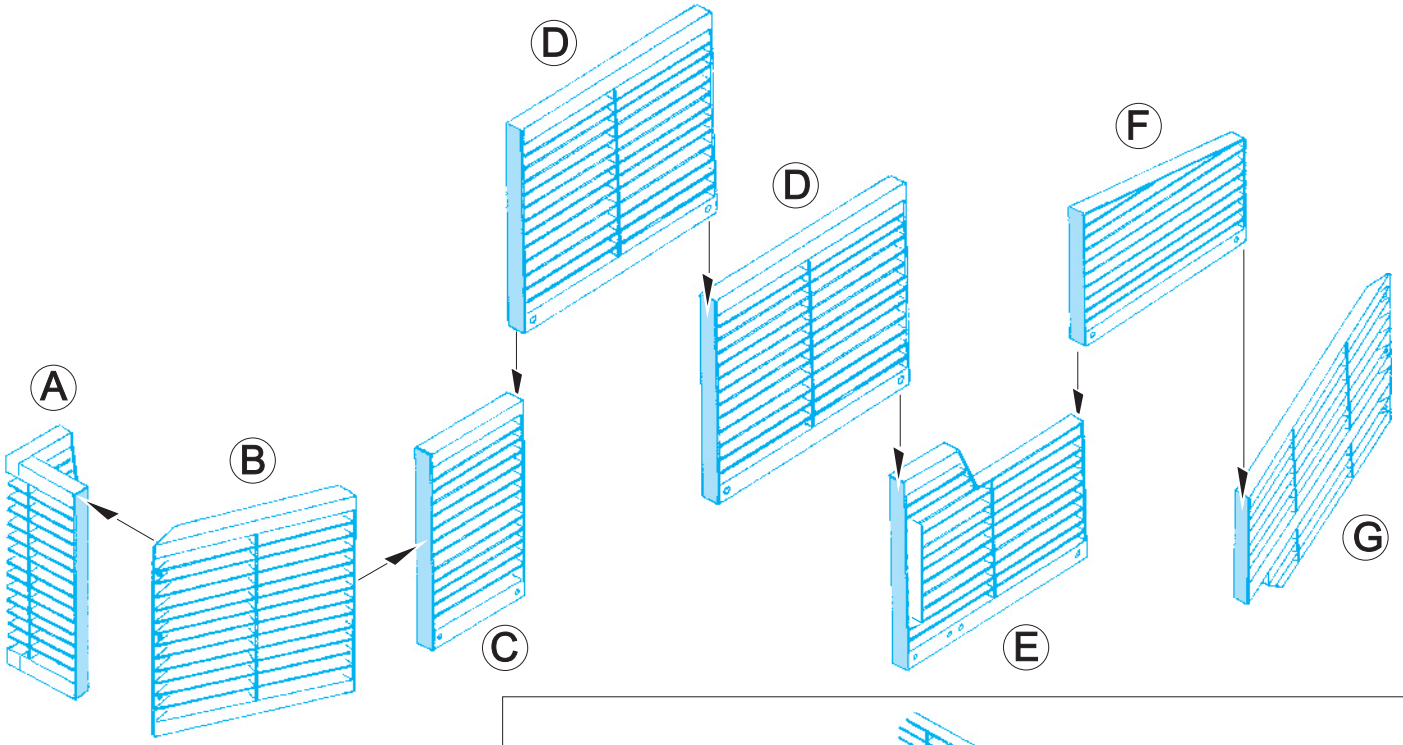


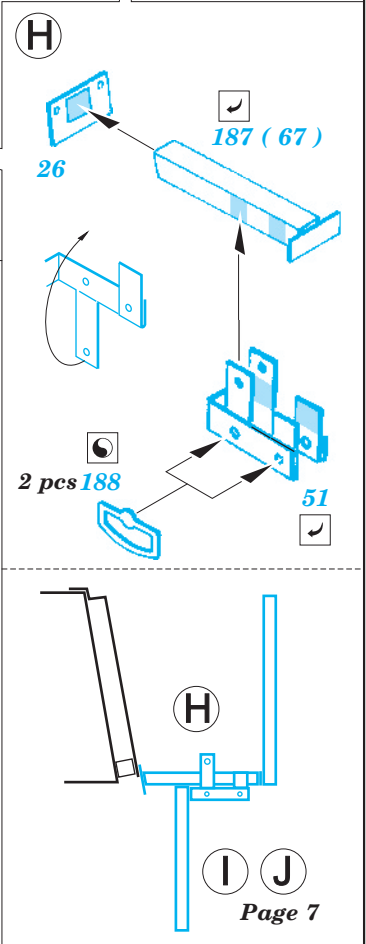
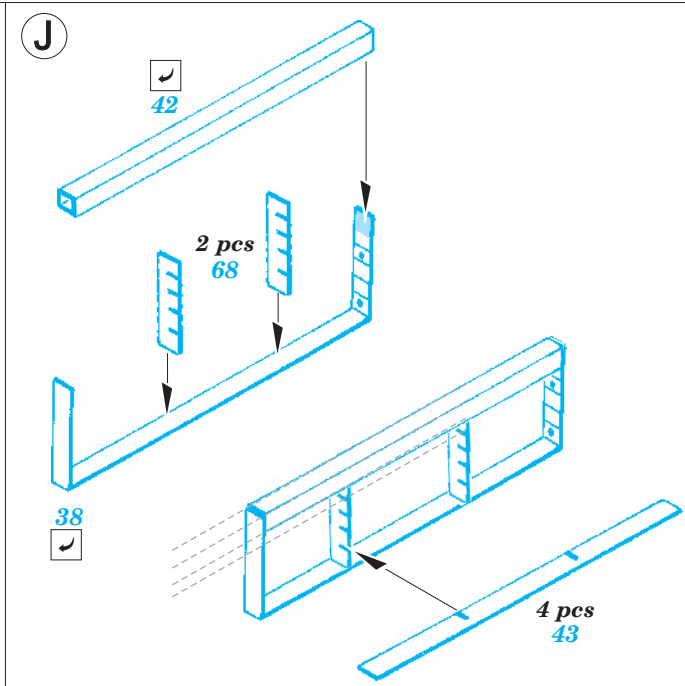
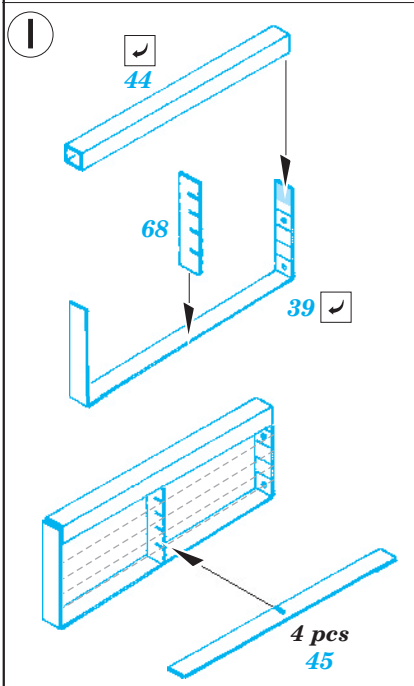
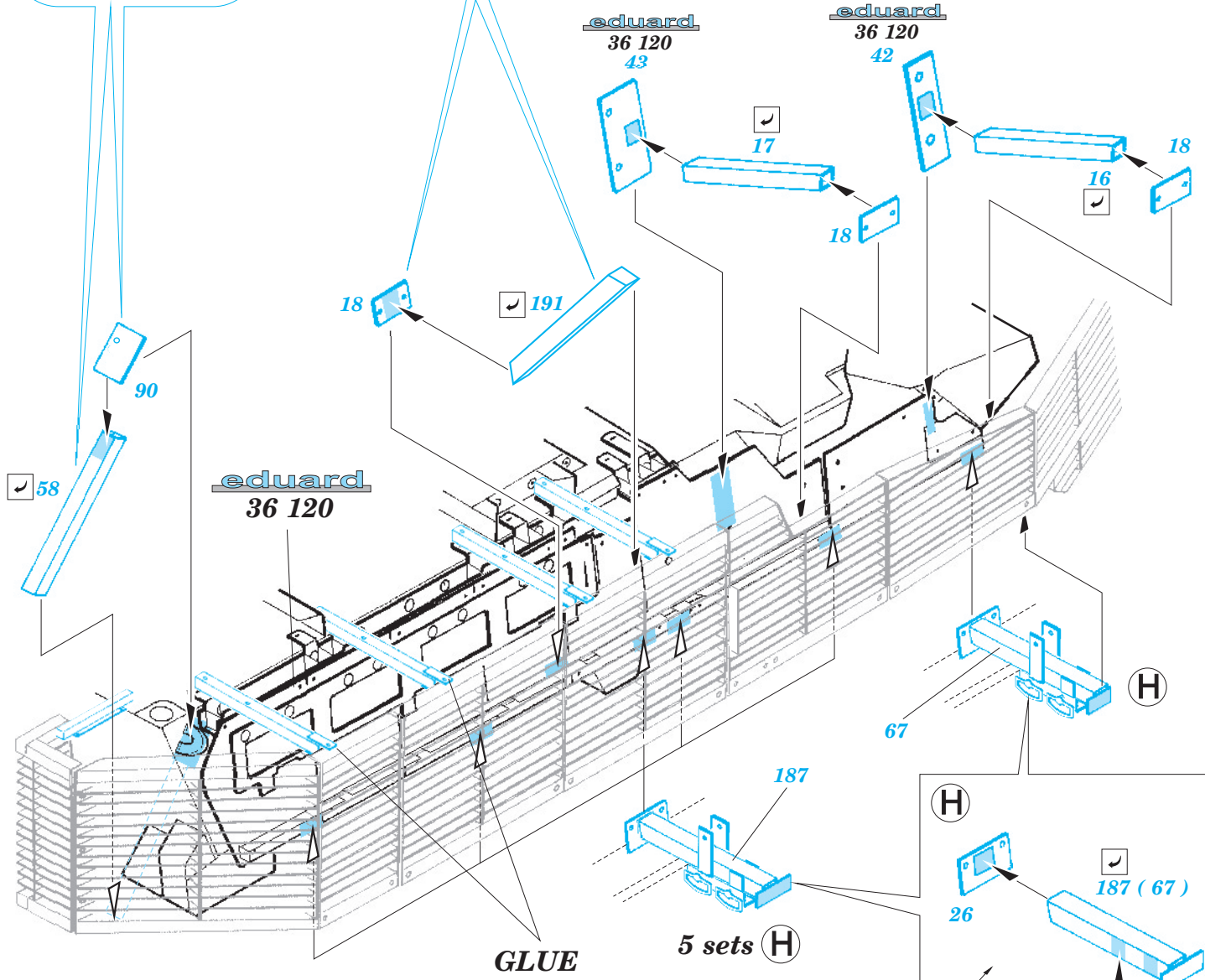
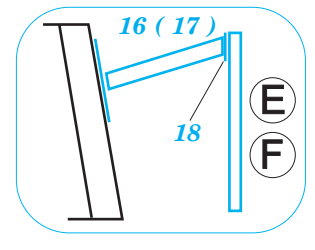
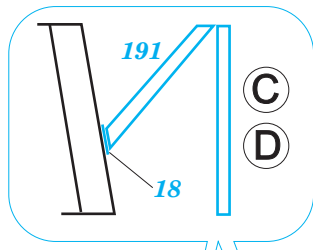
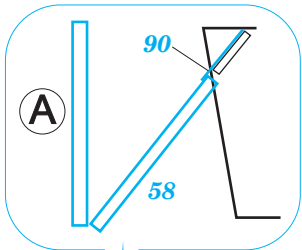
**F**



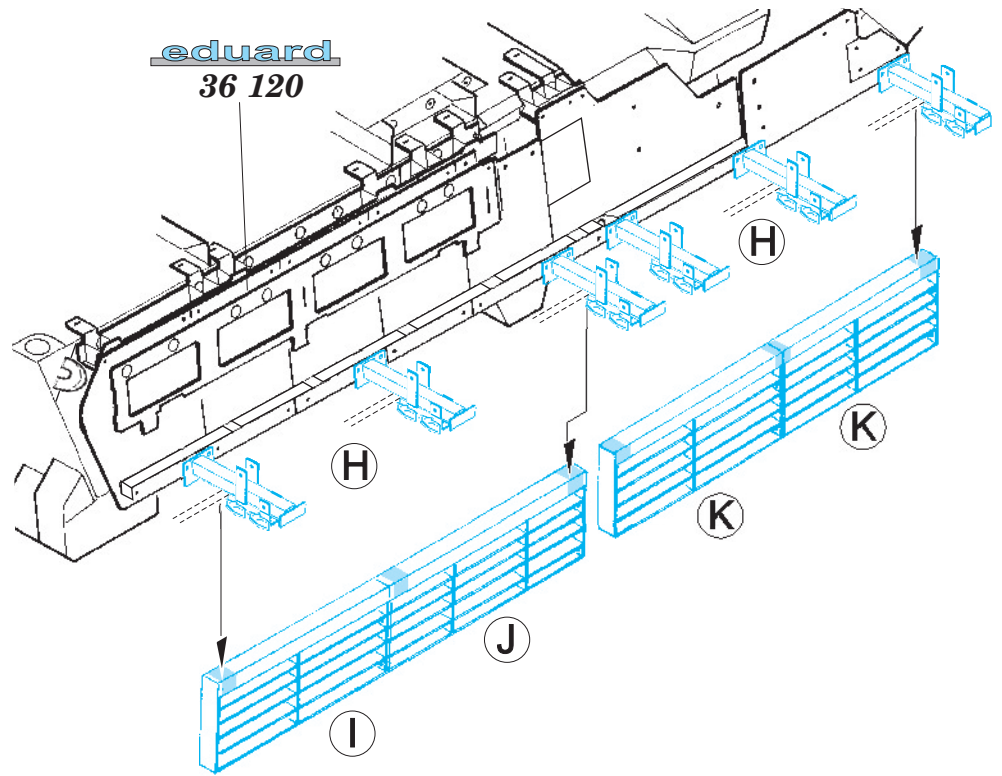
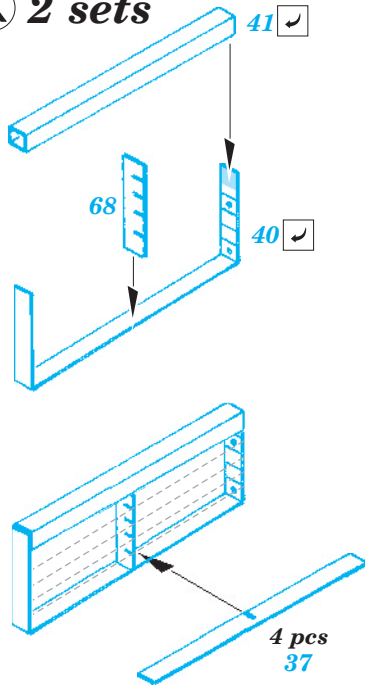
**G**



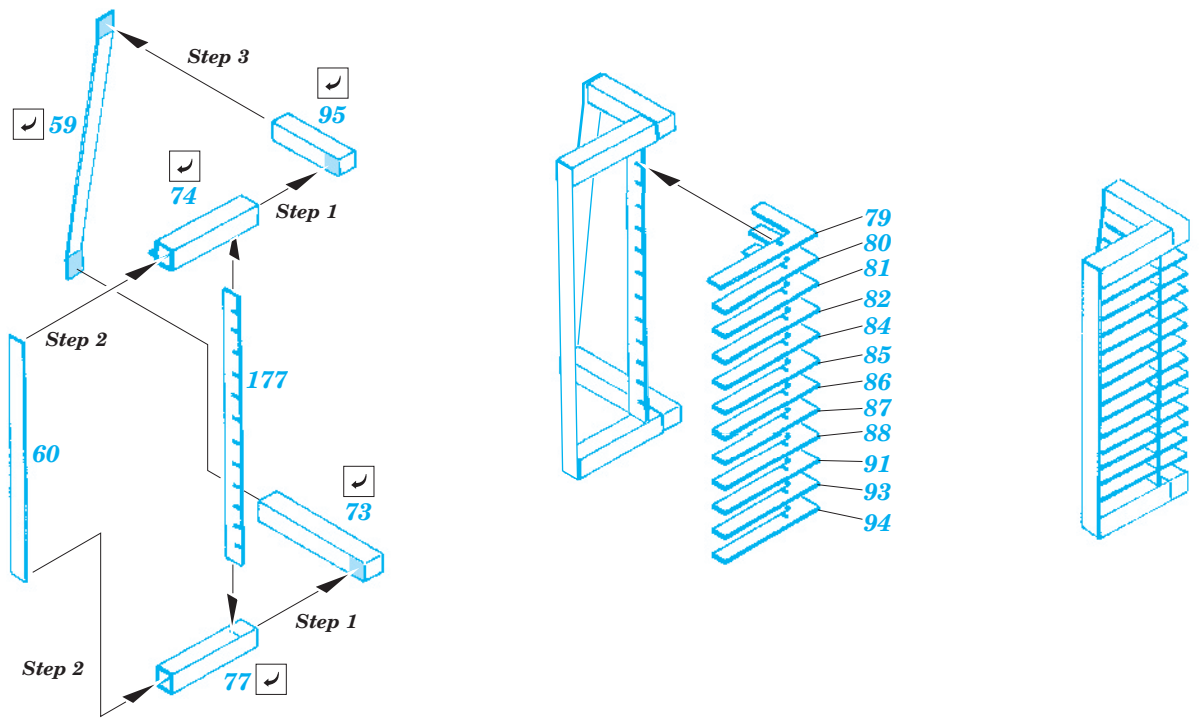




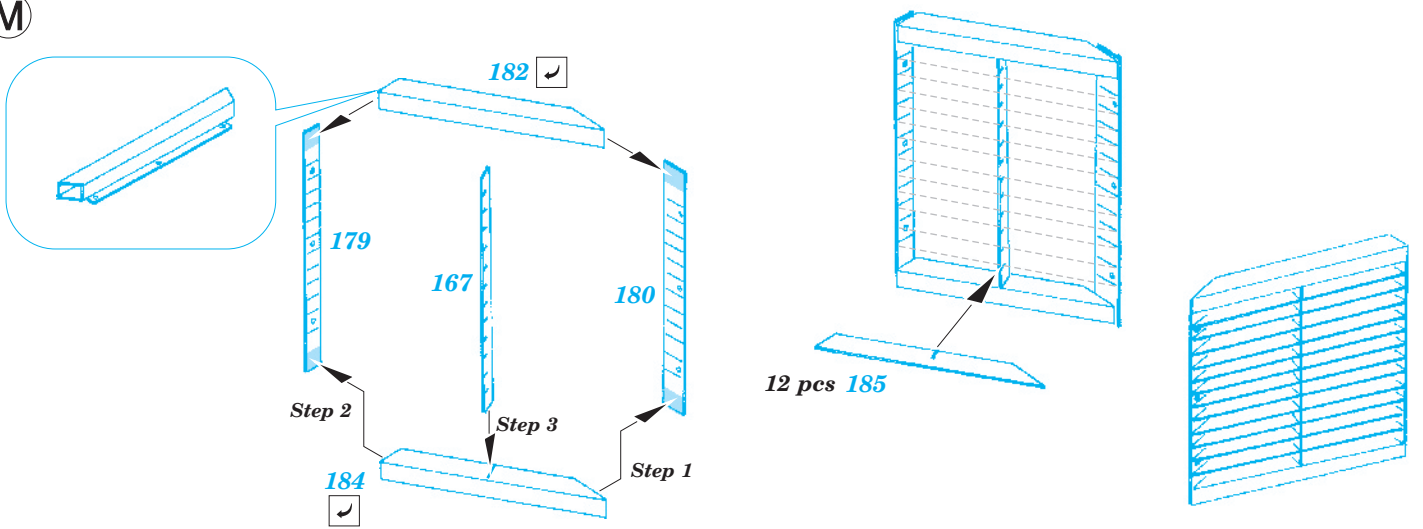
**(K) 2 sets**

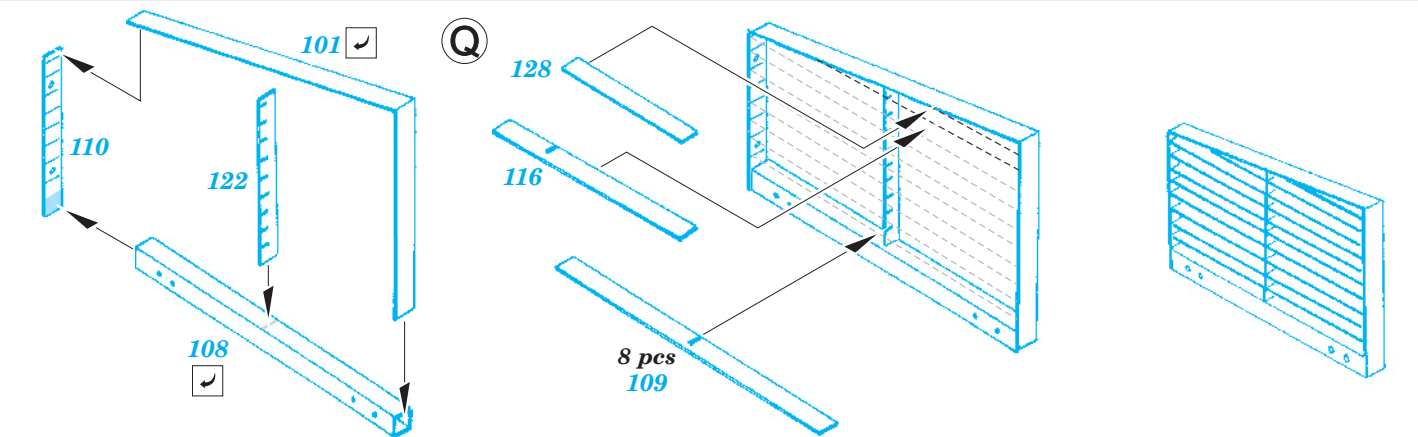
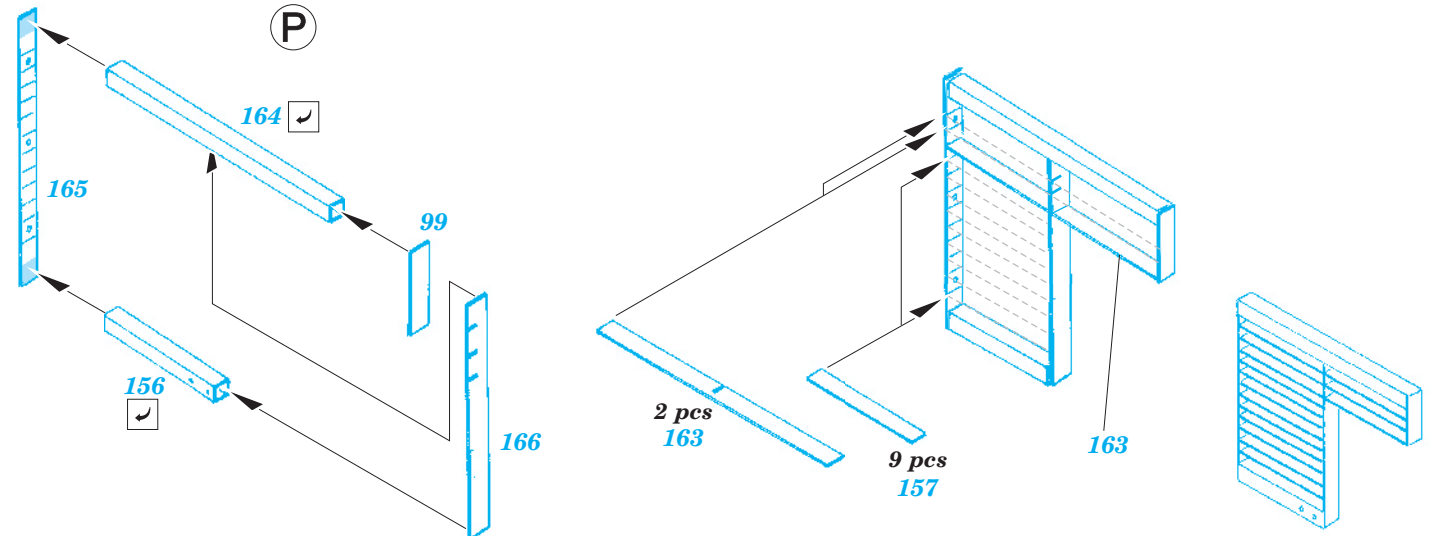
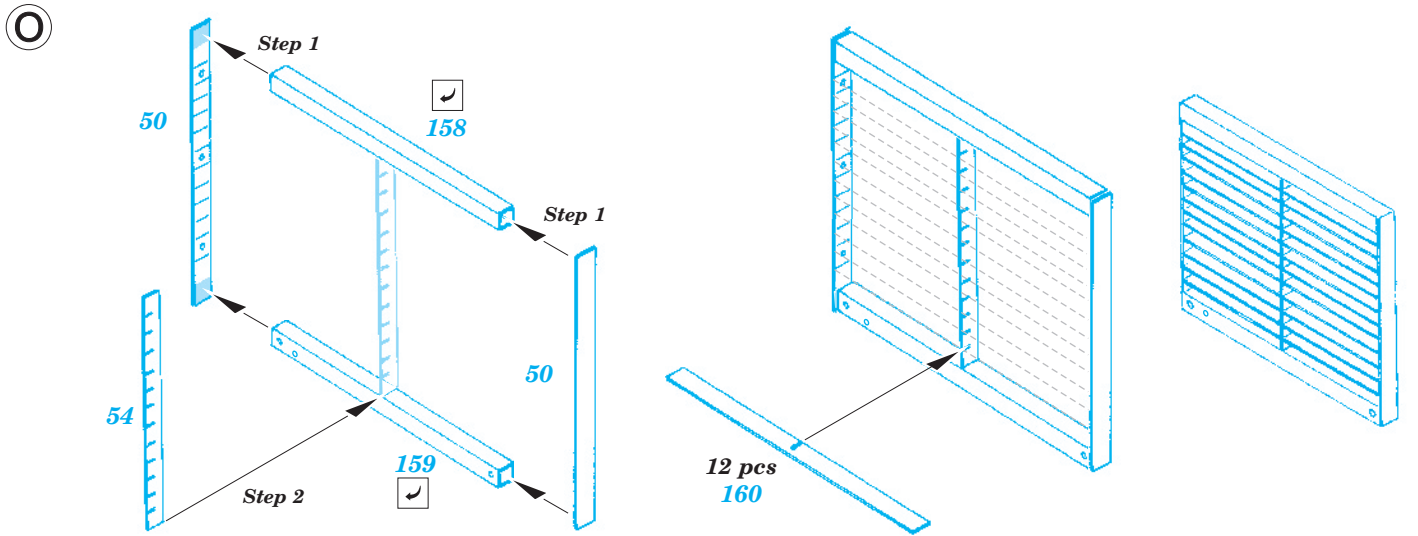
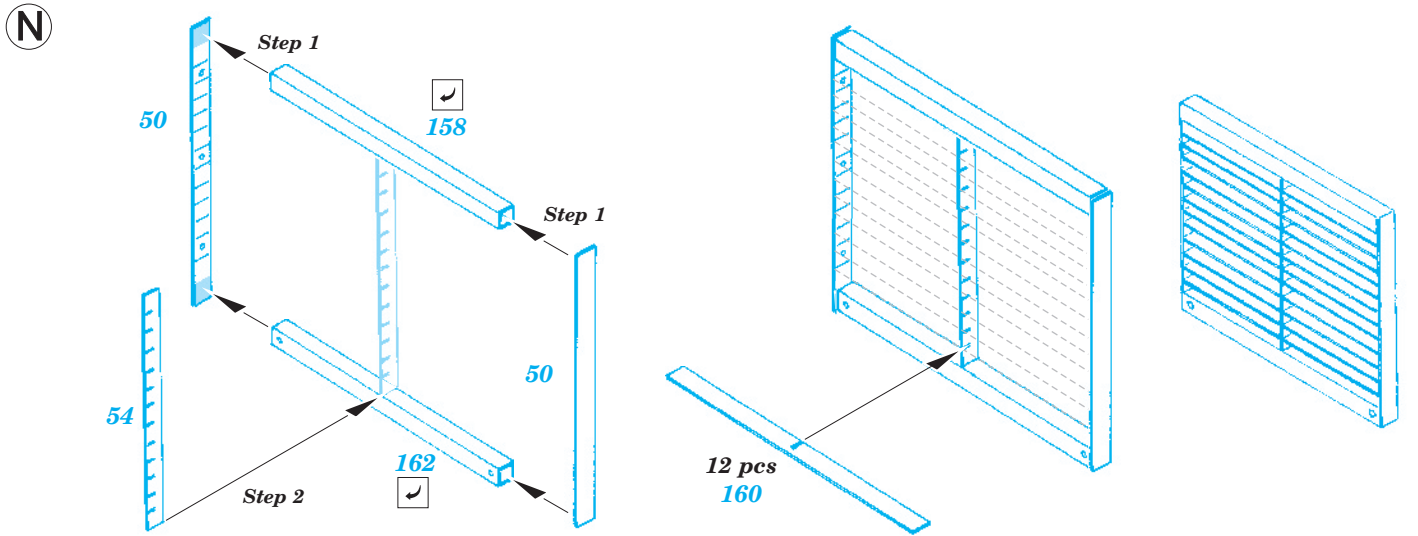


**(L)**

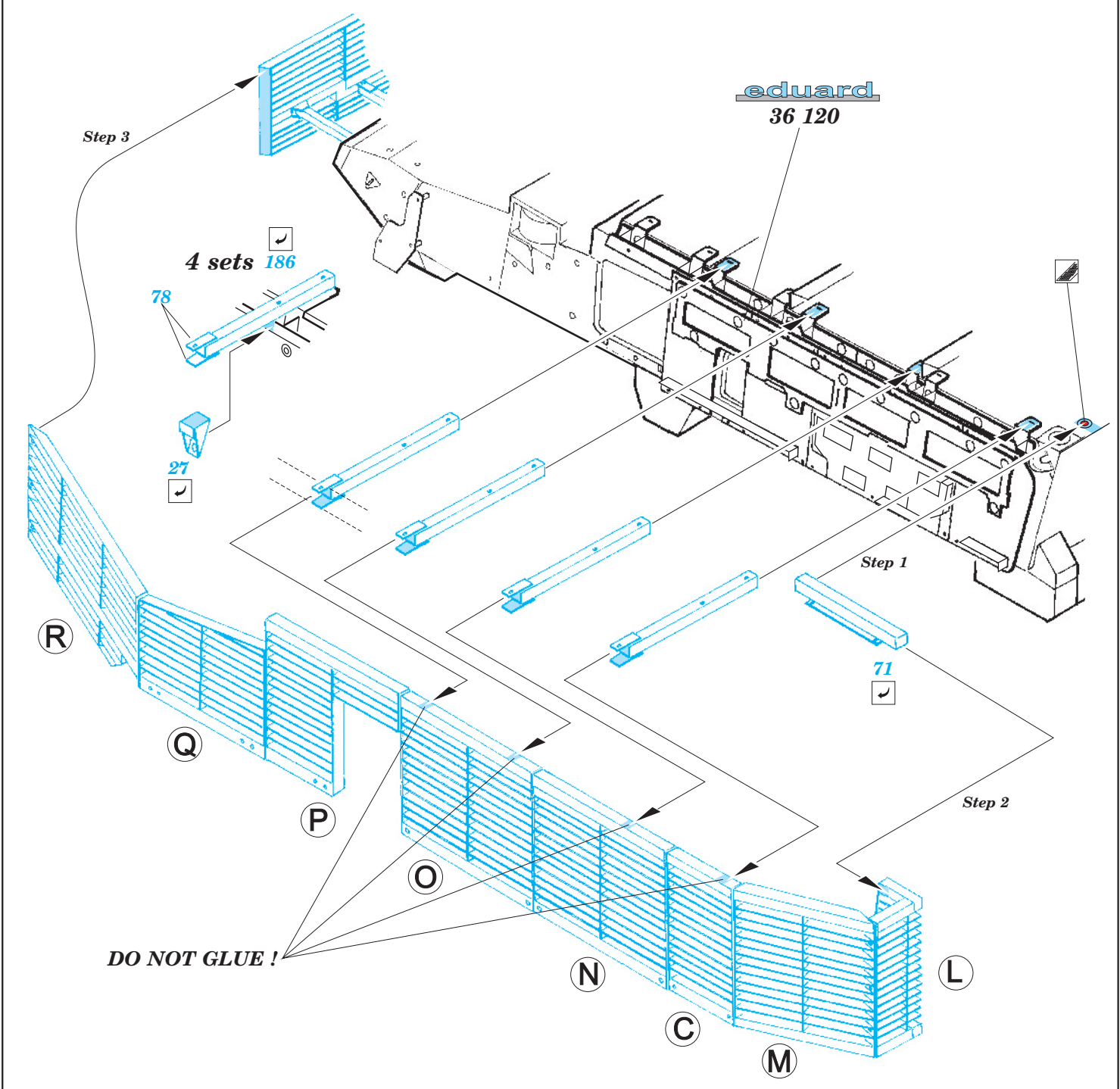
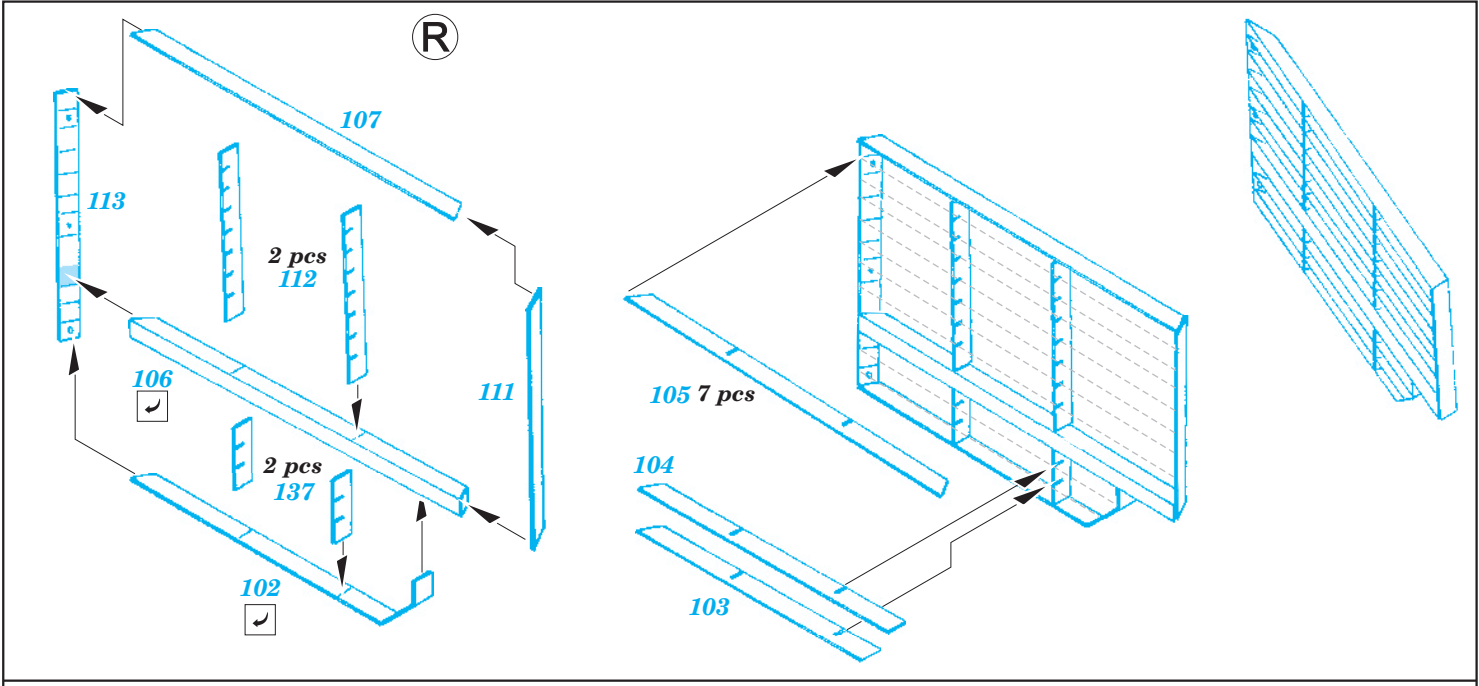


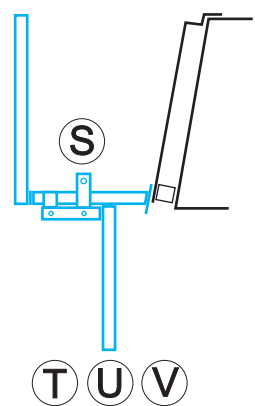
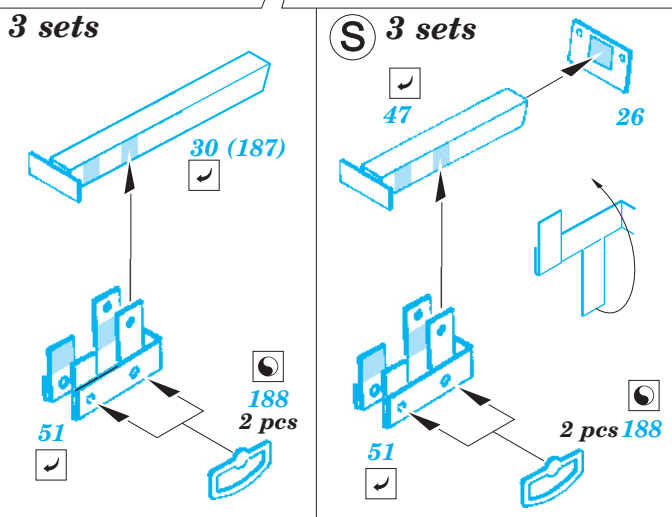
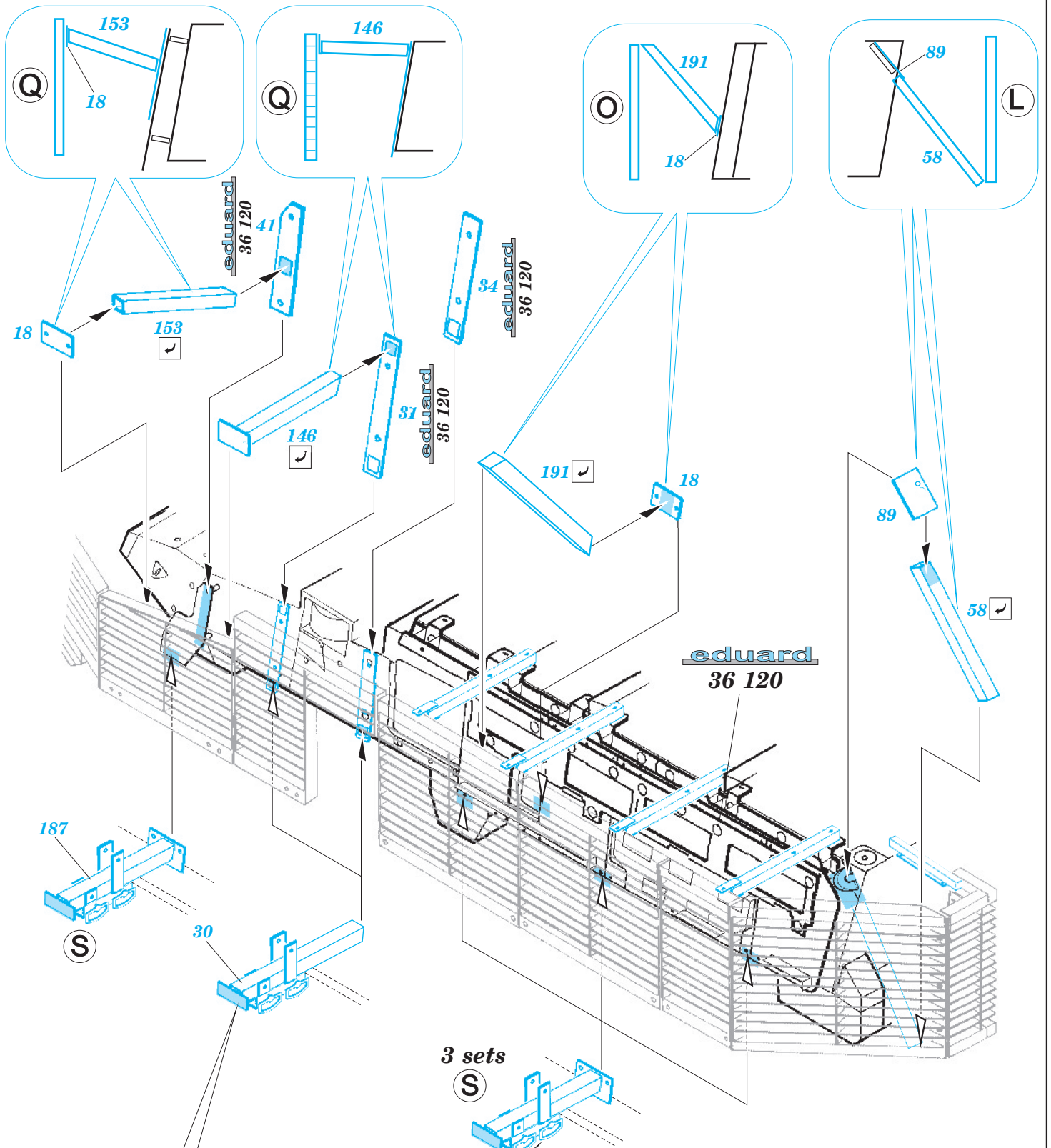
**(M)**

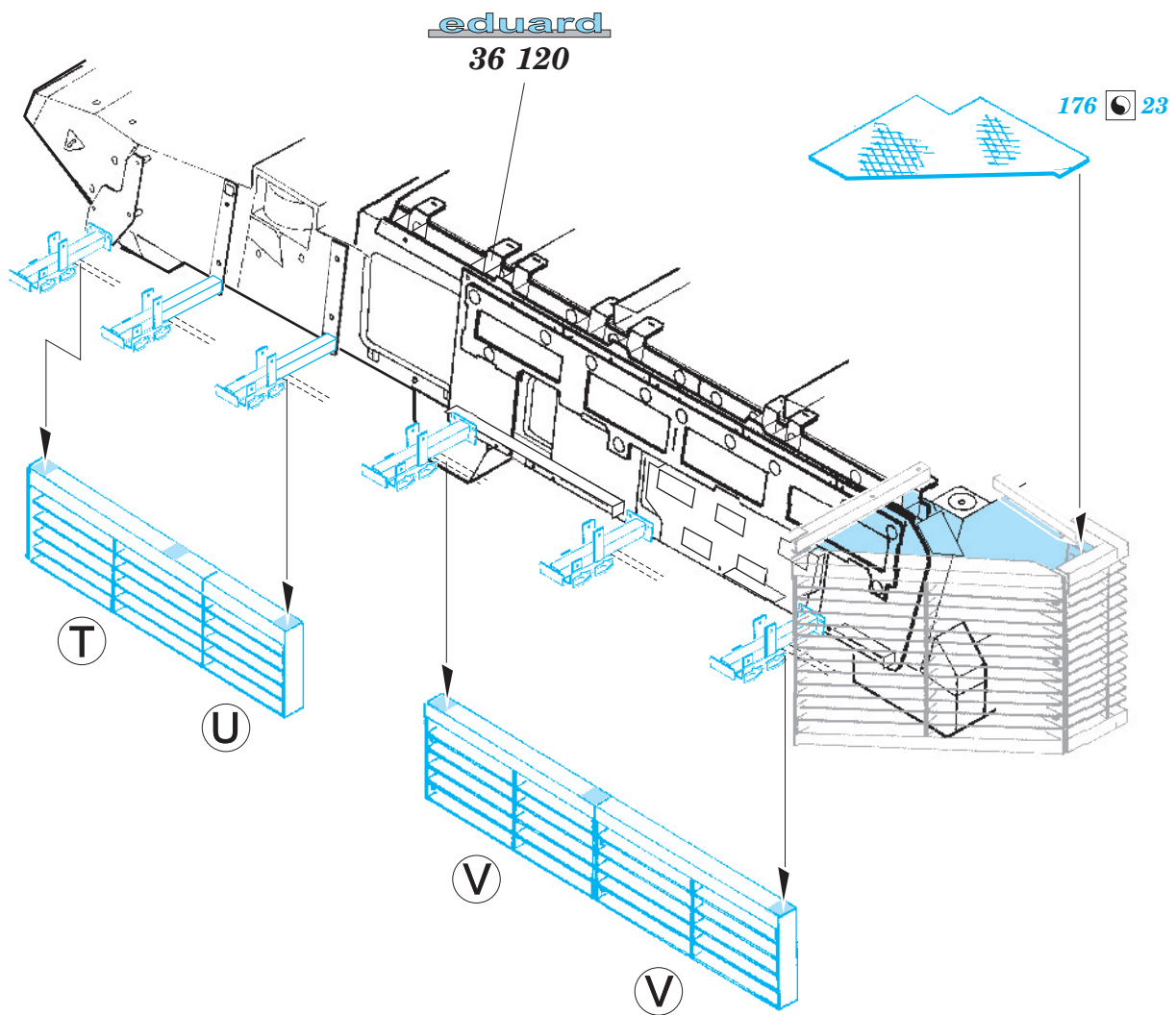
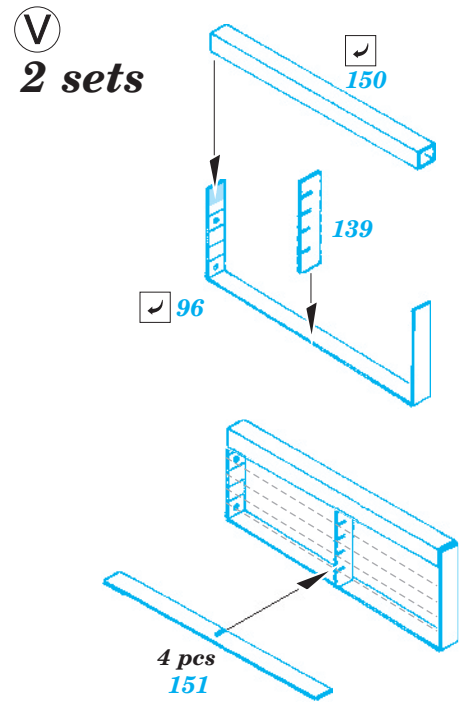
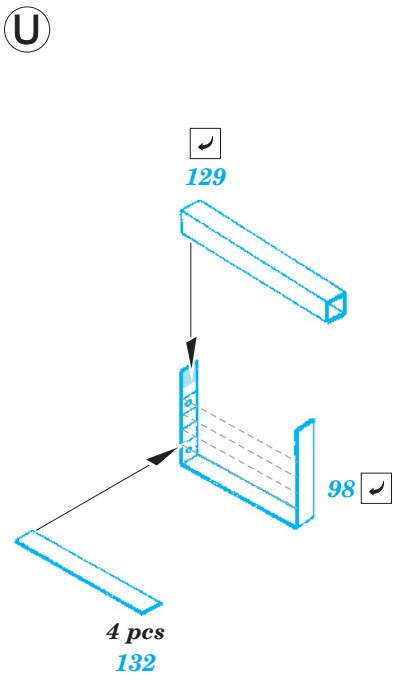
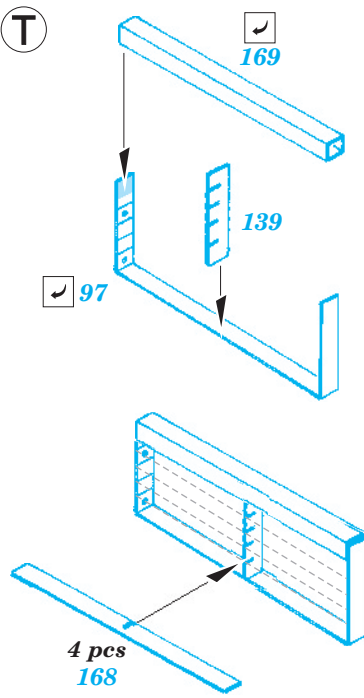


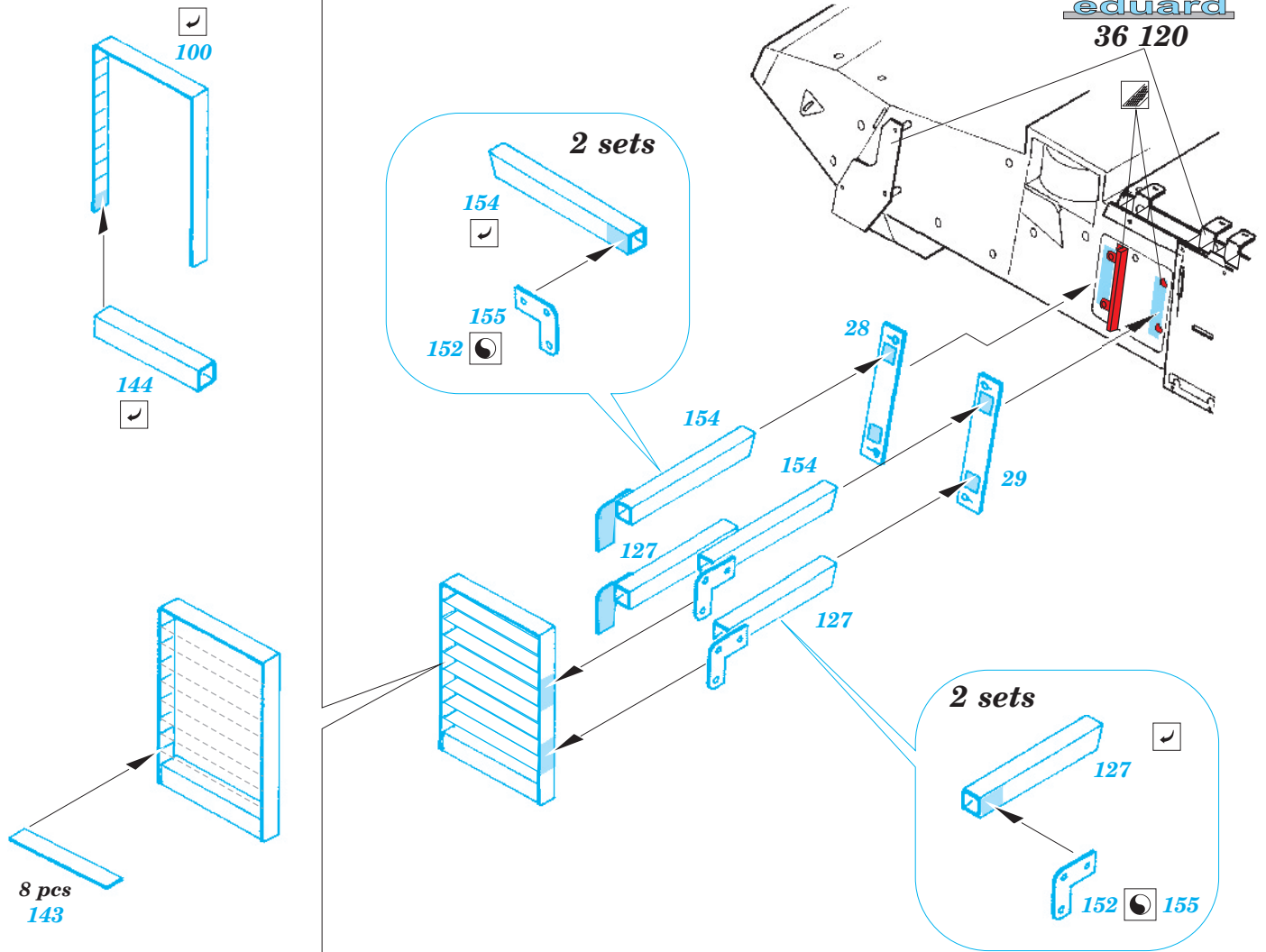






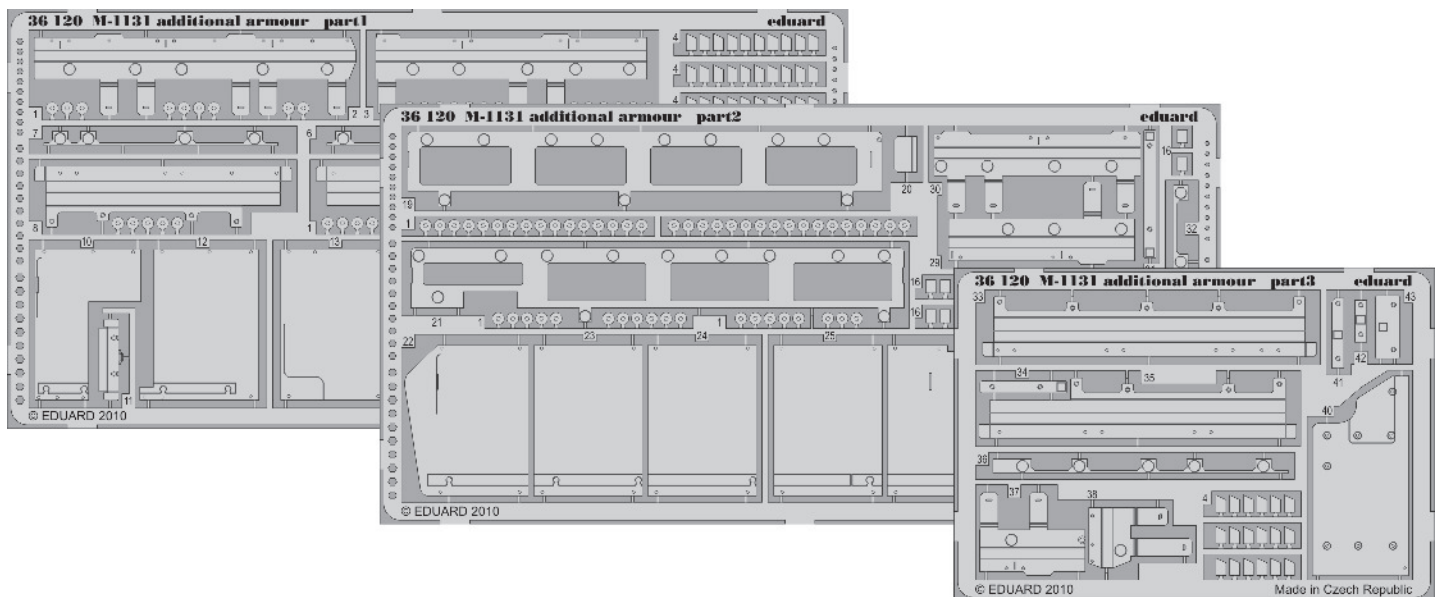






References: <http://www.primeportal.net/apc/stryker.htm>

***This set must be used on base eduard 36 120 M-1131 additional armour (not included in this set)***



***For further detail sets look for eduard 36 132 M-1131 FSV, 36 124 M-1131 mounted rack and belts, 36 120 M-1131 add. armour, 36 122 M-1131 storage belts and TP 096 Stryker exhaust deflector (not included in this set)***