

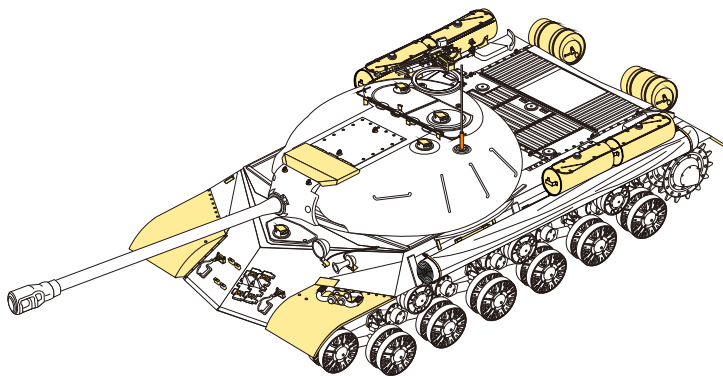
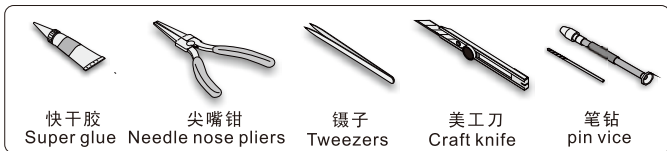
1/35 MILITARY MINIATURE VEHICLE UPGRADE SERIES PE35198

WWII Russian JS-3 tank

二战苏军JS-3重型坦克改造件

[For TAMIYA 35211]

推荐使用工具 RECOMMENDED TOOLS



- 安装
install
- 折叠
bend
- A1**

改造件零件编号
PE/resin part number
- B12**

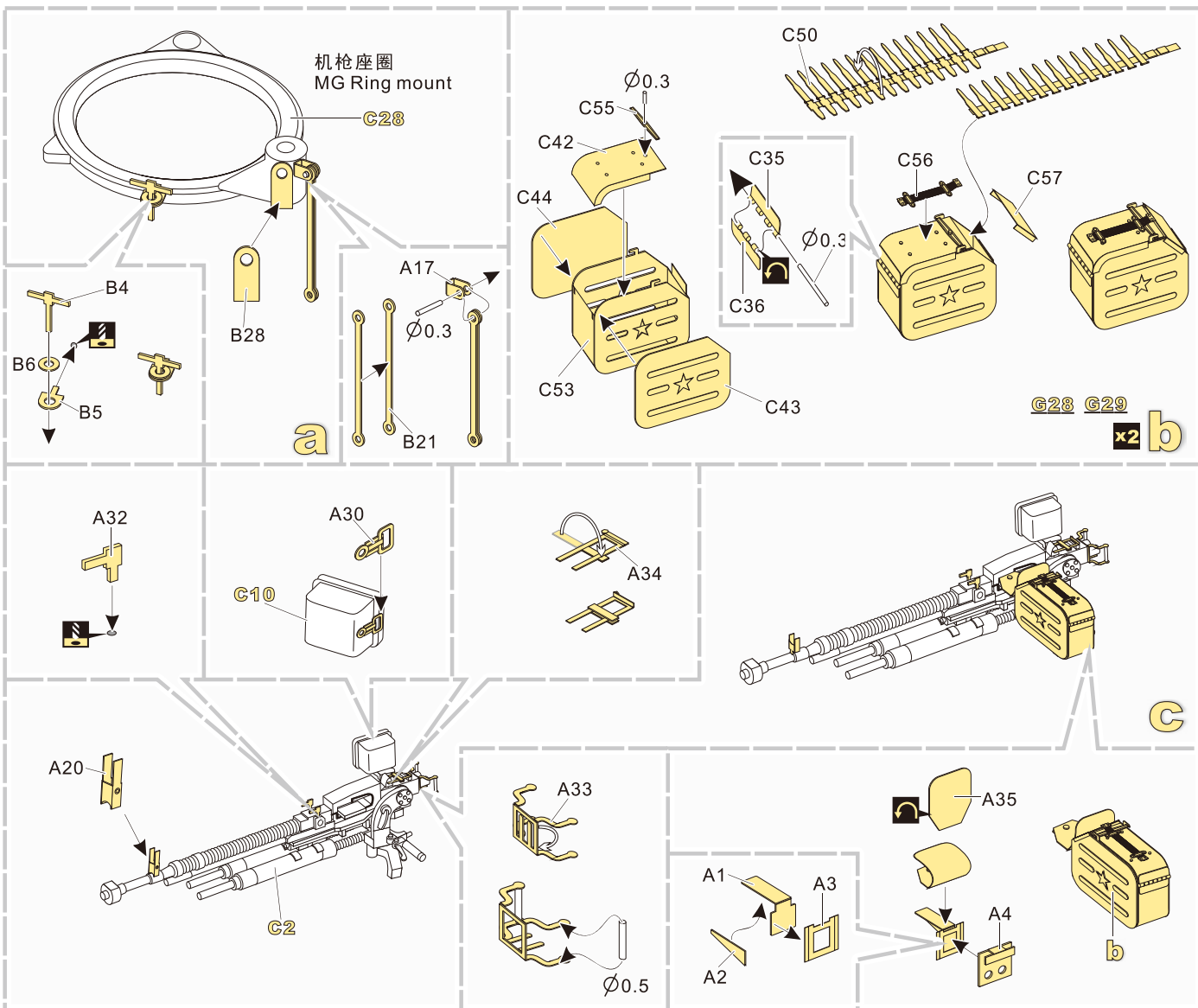
原零件编号
kit part number
- C22**

被替换的原零件编号
replaced kit part number
- 另一侧相同制作
repeat on opposite side
- 切除
remove
- 钻孔
drill
- 弧度卷曲
radial bending
- x2**

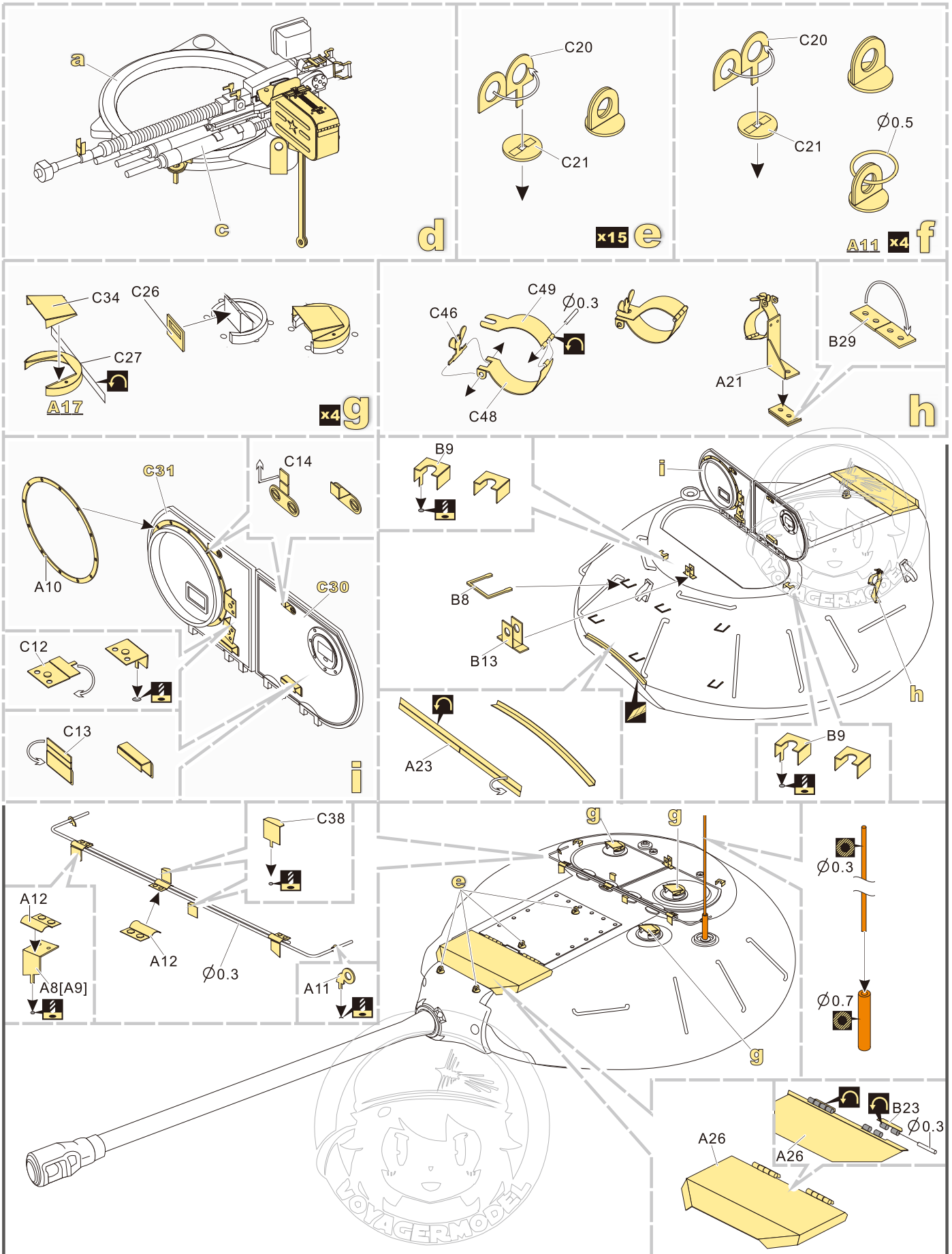
制作若干组
multiple assembly
- 选择安装
alternative
- 用铜管制作
make from brass tube
- 用胶棒制作
make from plastic rod

用尖端在凹槽处冲压
use penpoint to press on the dent

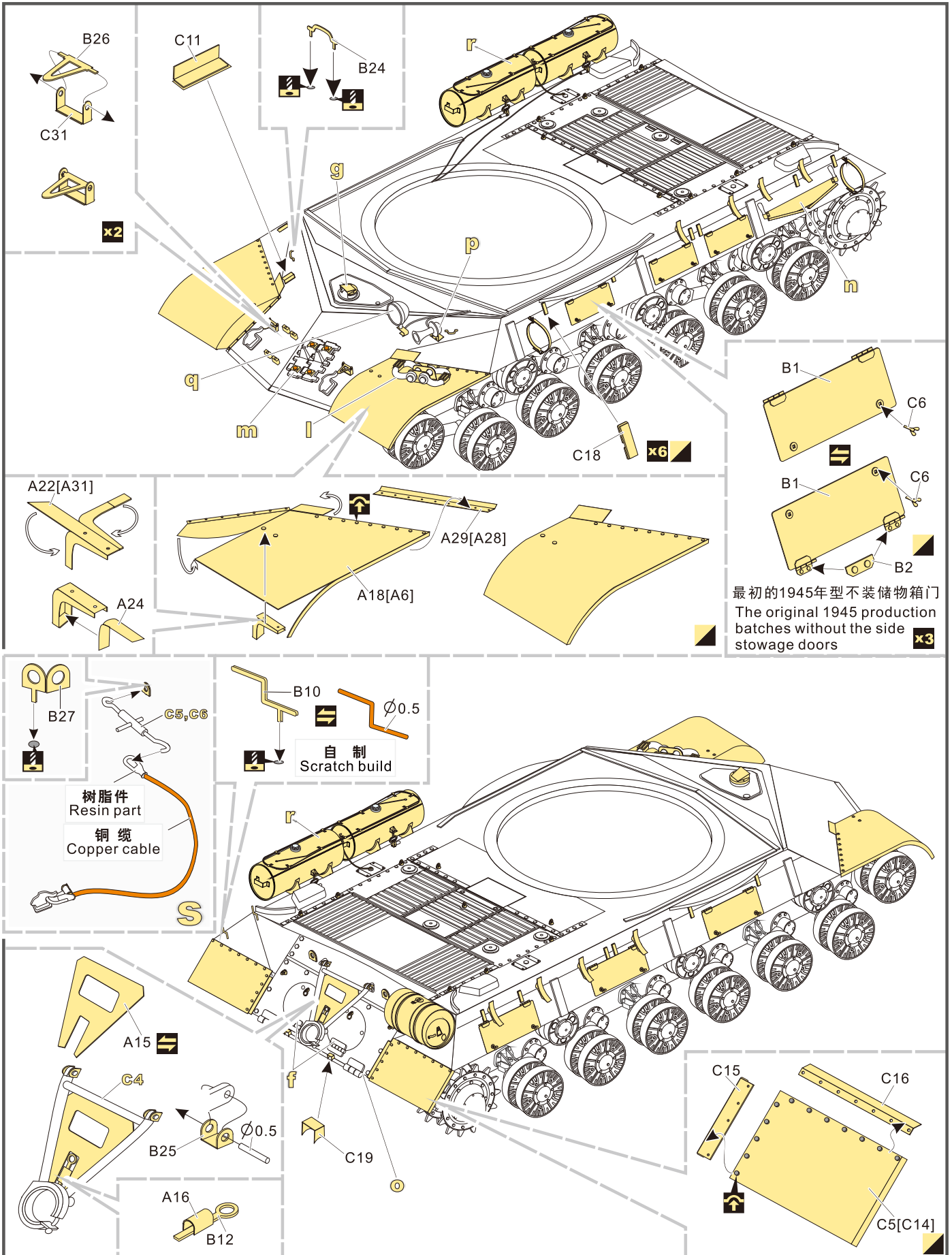
蚀刻片零件内朝面向上
Put the part upside down
用笔尖在凹槽处刺
Use penpoint to press on the dent



1/35 MILITARY MINIATURE VEHICLE UPGRADE SERIES PE35198



1/35 MILITARY MINIATURE VEHICLE UPGRADE SERIES PE35198

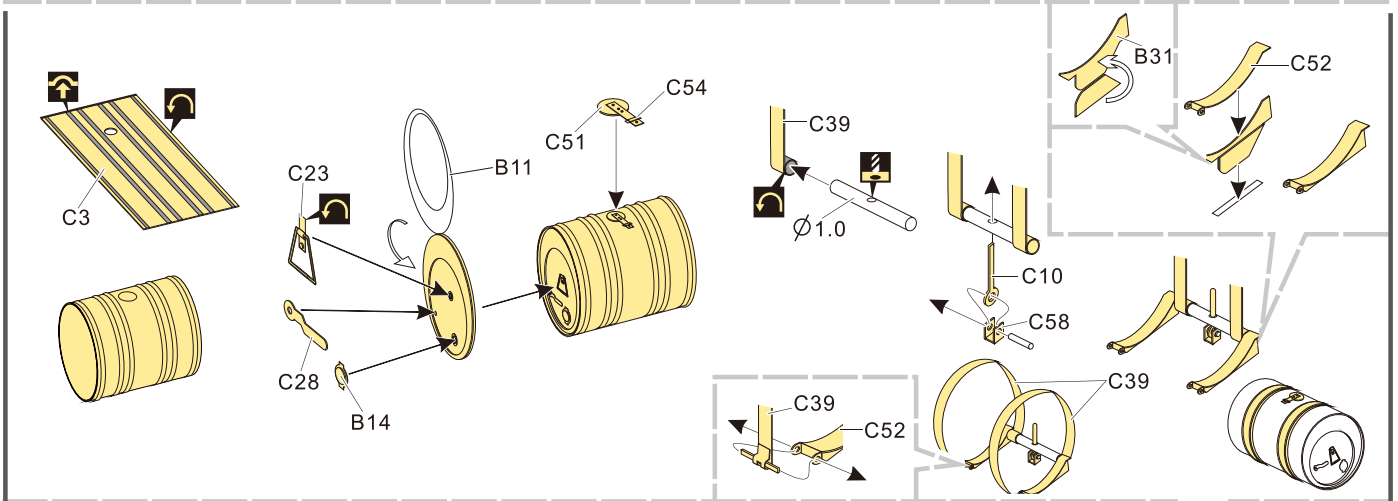
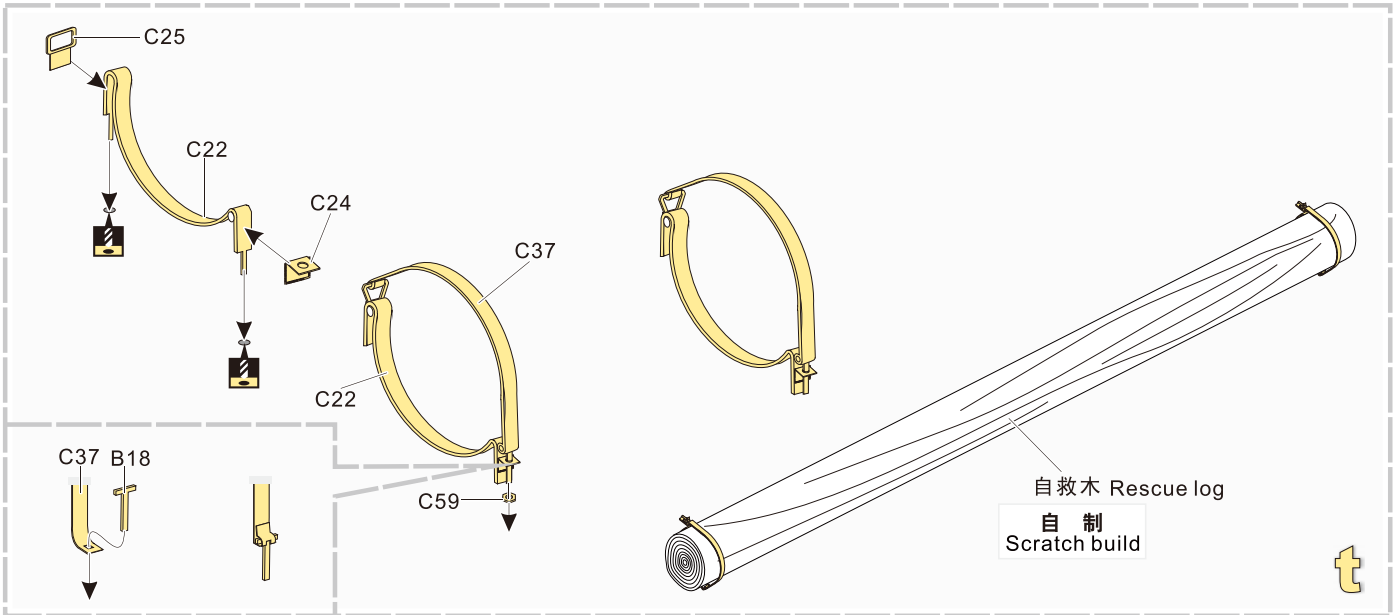


最初的1945年型不装储物箱门
The original 1945 production
batches without the side
storage doors

树脂件
Resin part
铜缆
Copper cable

自制
Scratch build

1/35 MILITARY MINIATURE VEHICLE UPGRADE SERIES PE35198



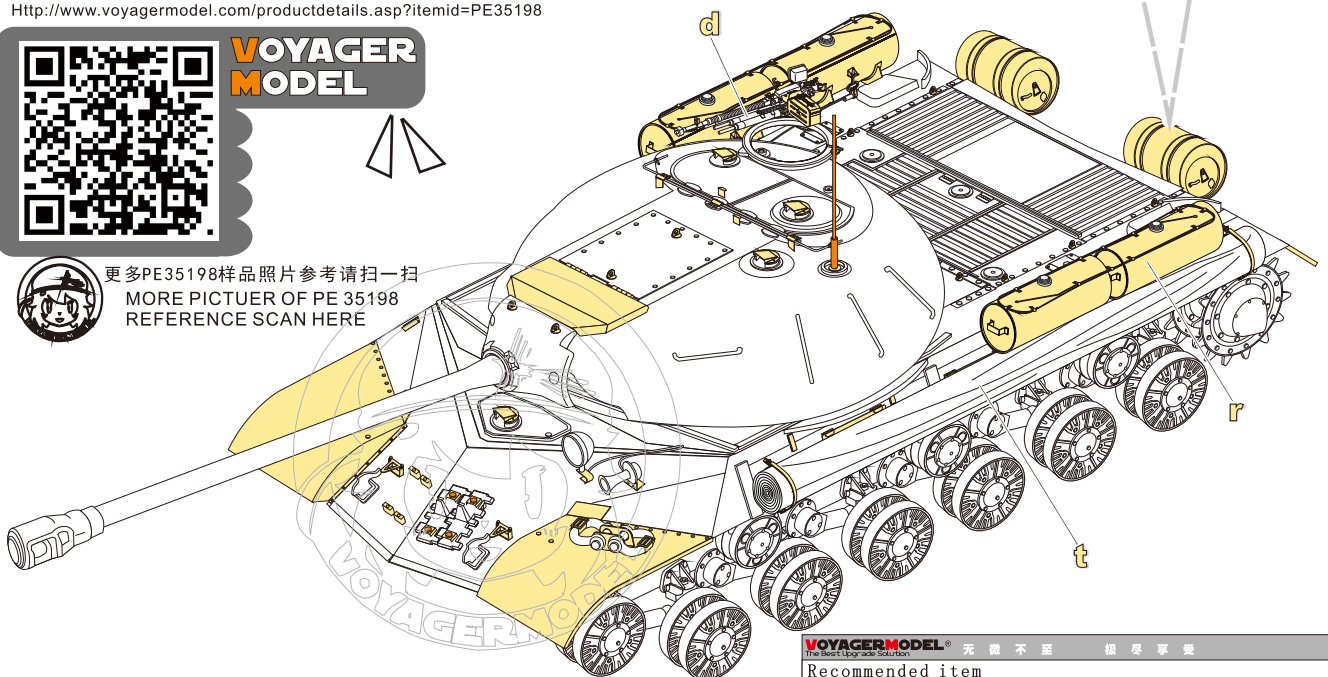
[Http://www.voyagermodel.com/productdetails.asp?itemid=PE35198](http://www.voyagermodel.com/productdetails.asp?itemid=PE35198)



**VOYAGER
MODEL**



更多PE35198样品照片参考请扫一扫
MORE PICTUER OF PE 35198
REFERENCE SCAN HERE



VOYAGERMODEL[®] 无微不至 极尽享受

Recommended item

PEA211 Modern Russian AFV smoke discharger (empty 16 set)