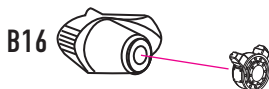
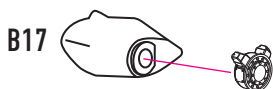
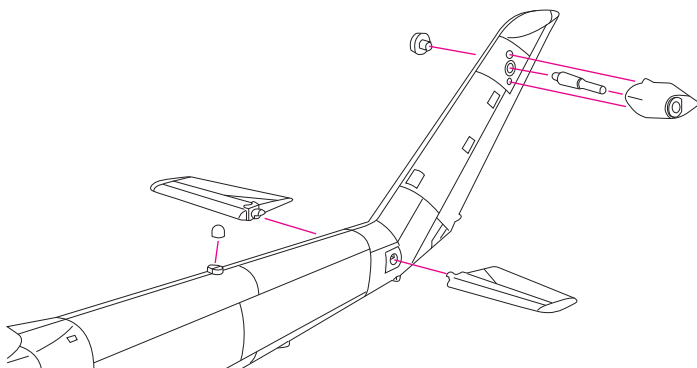


1

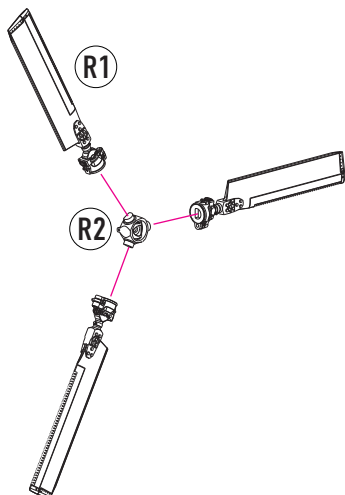
(R3)  - REPLACE PART E11 FROM ZVEZDA KIT



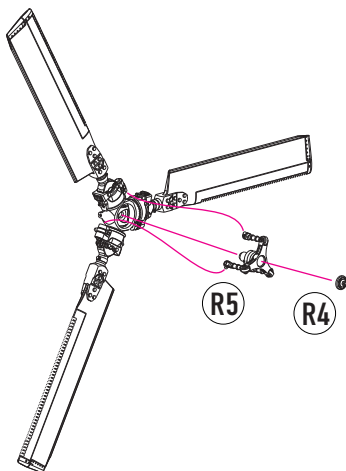
2



3



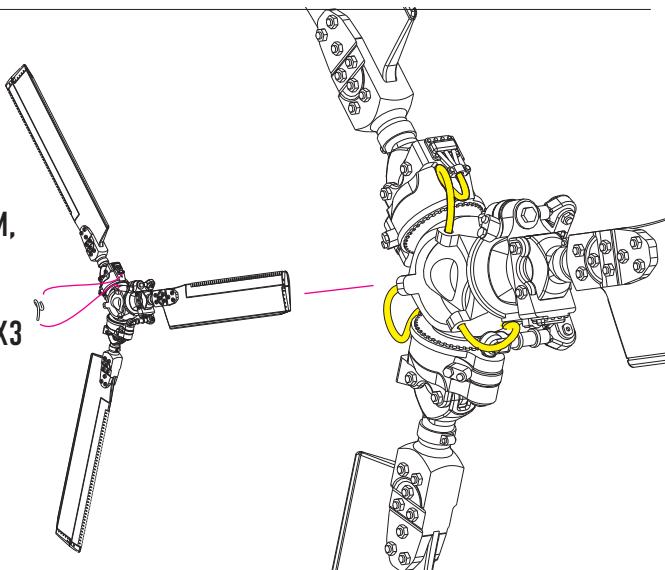
4



5

USE
WIRE L=7MM,
D=0,3MM

X3



6

