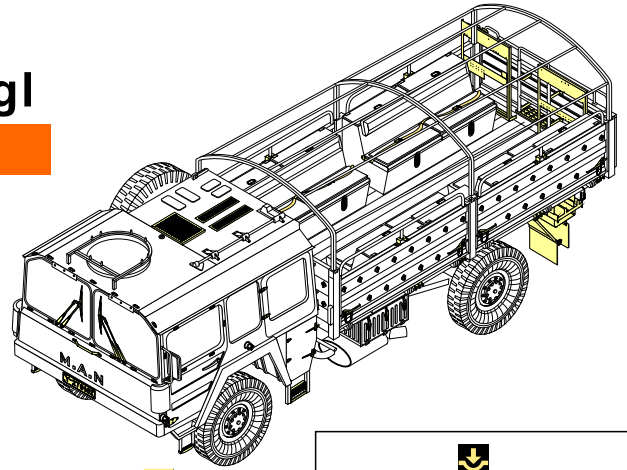


1/35 MILITARY MINIATURE VEHICLE UPGRADE SERIES PE35925

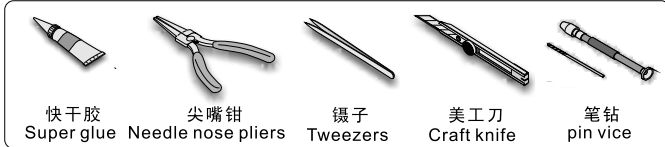
Modern German LKW 5t mil gl

现代德国MAN-5吨卡车改造件


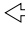








[For HOBBY BOSS 85507]




推荐使用工具 RECOMMENDED TOOLS

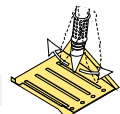
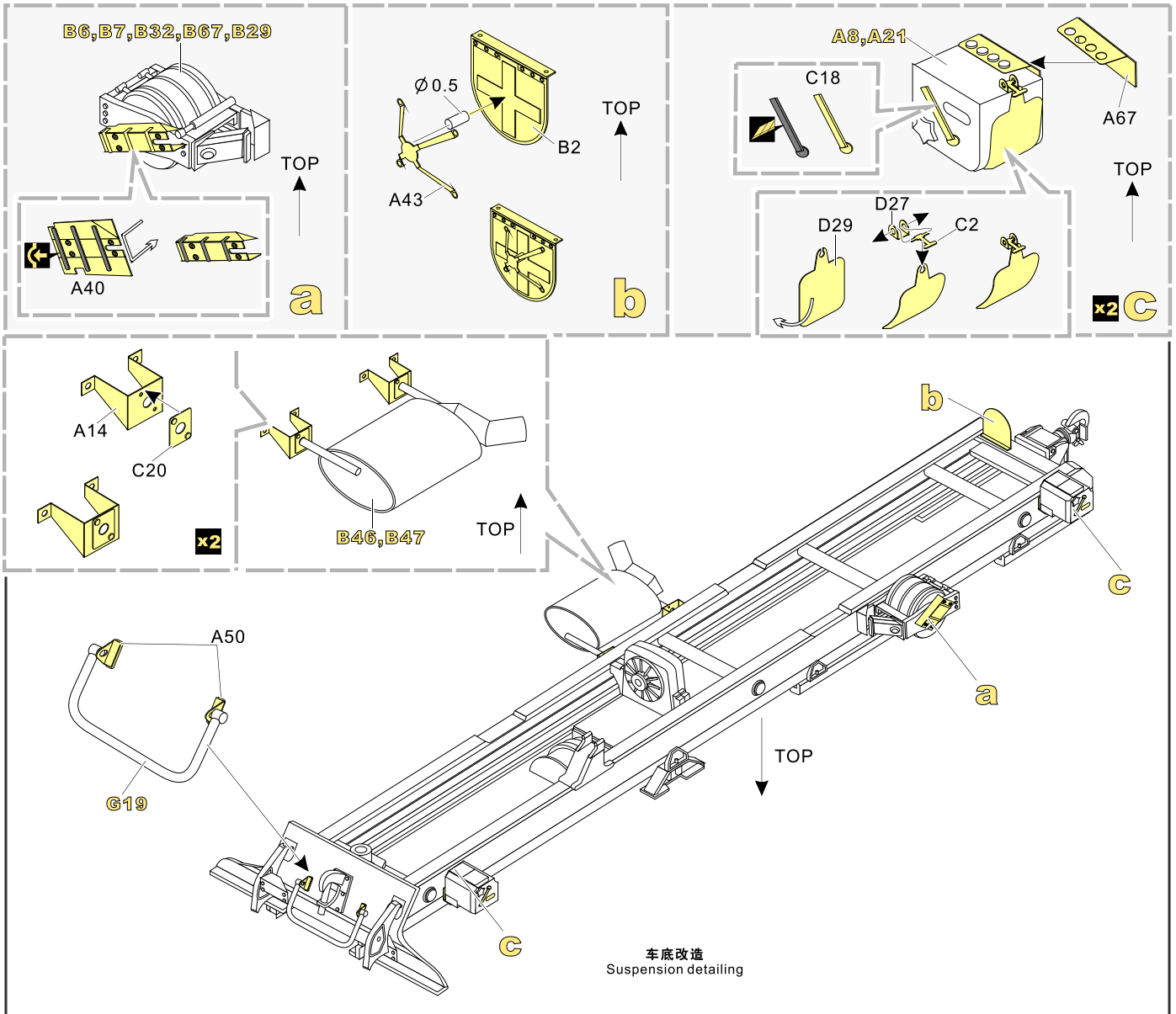


快干胶 Super glue 尖嘴钳 Needle nose pliers 镊子 Tweezers 美工刀 Craft knife 笔钻 pin vice

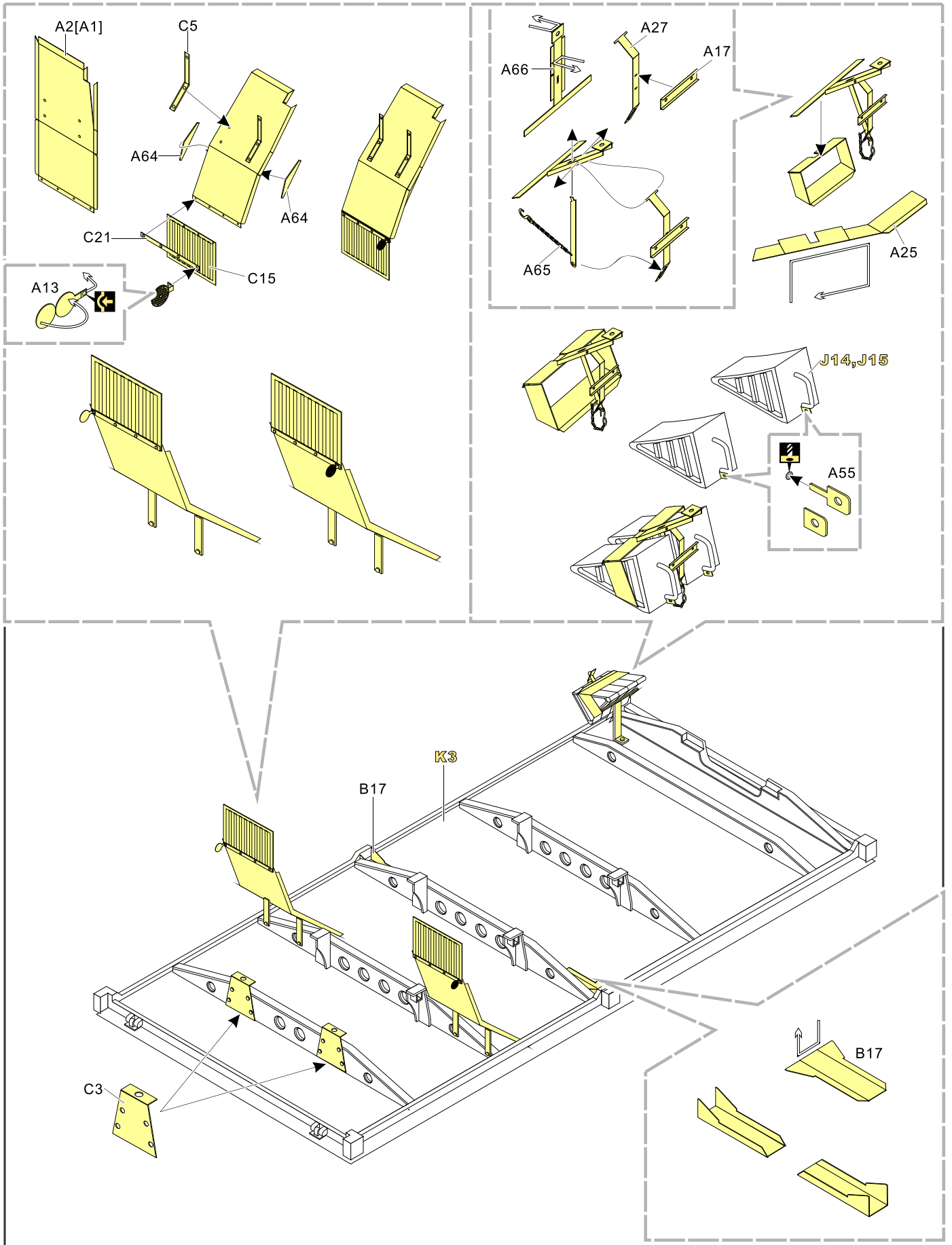
- 
安装
install
- 
折叠
bend
- A1**
改造件零件编号
PE/resin part number
- B12**
原零件编号
kit part number
- C22**
被替换的原零件编号
replaced kit part number
- 
 另一侧相同制作
repeat on opposite side
- 
切除
remove
- 
打磨
grind off
- 
弧度卷曲
radial bending
- 
制作若干组
multiple assembly
- 
选择安装
alternative
- 
钻孔
drill
- 
用胶棒制作
make from plastic rod


 用尖端在凹槽处冲压
use penpoint to press on the dent

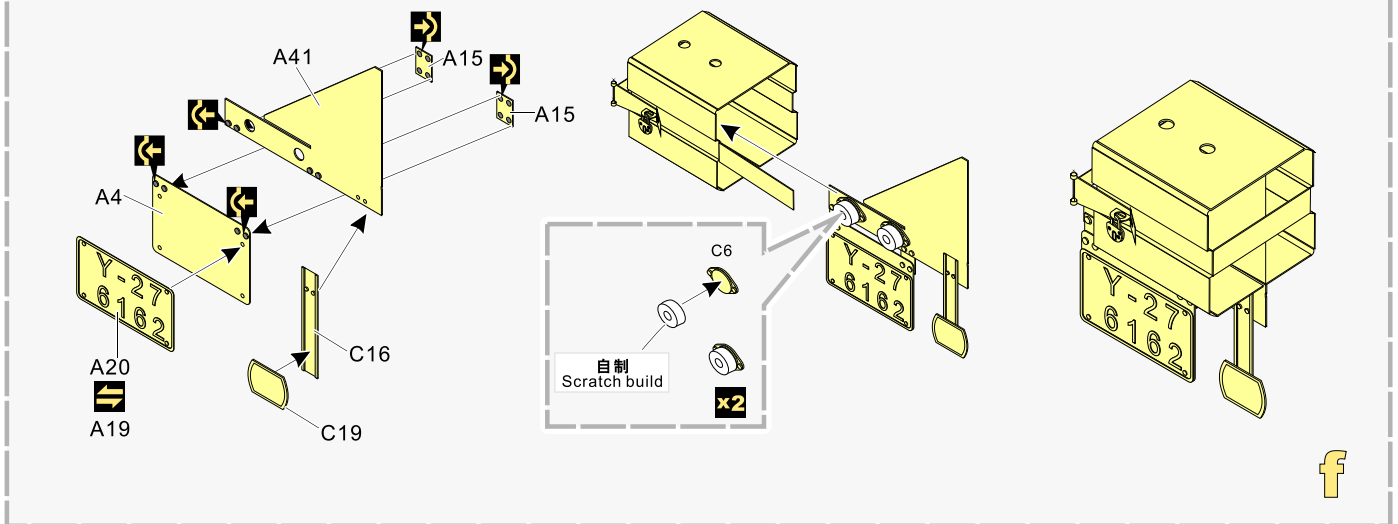
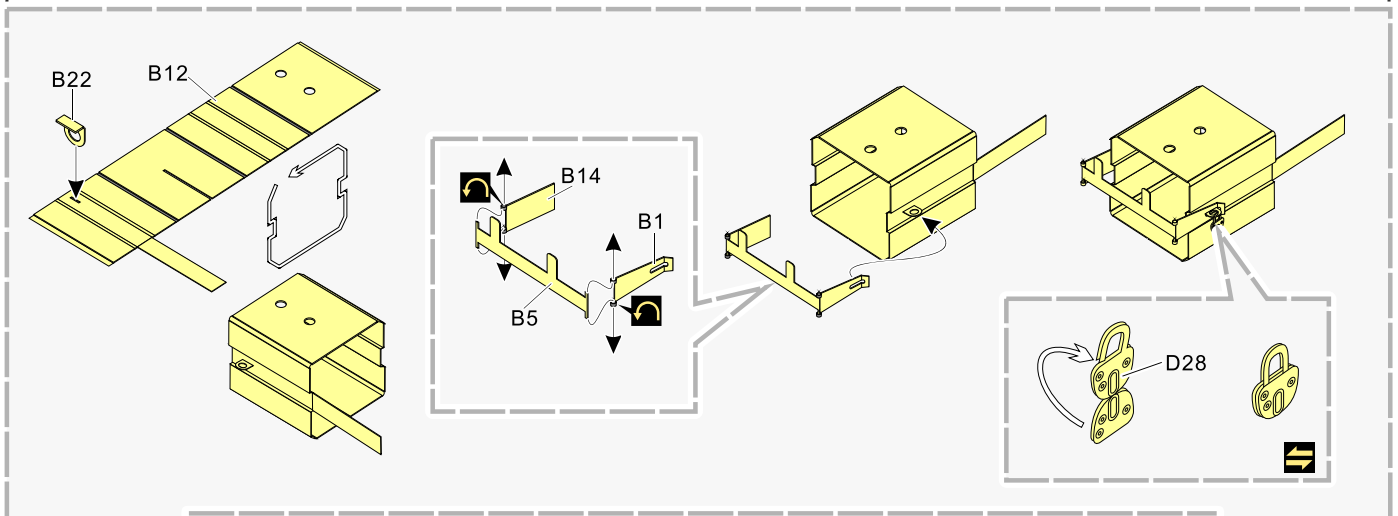
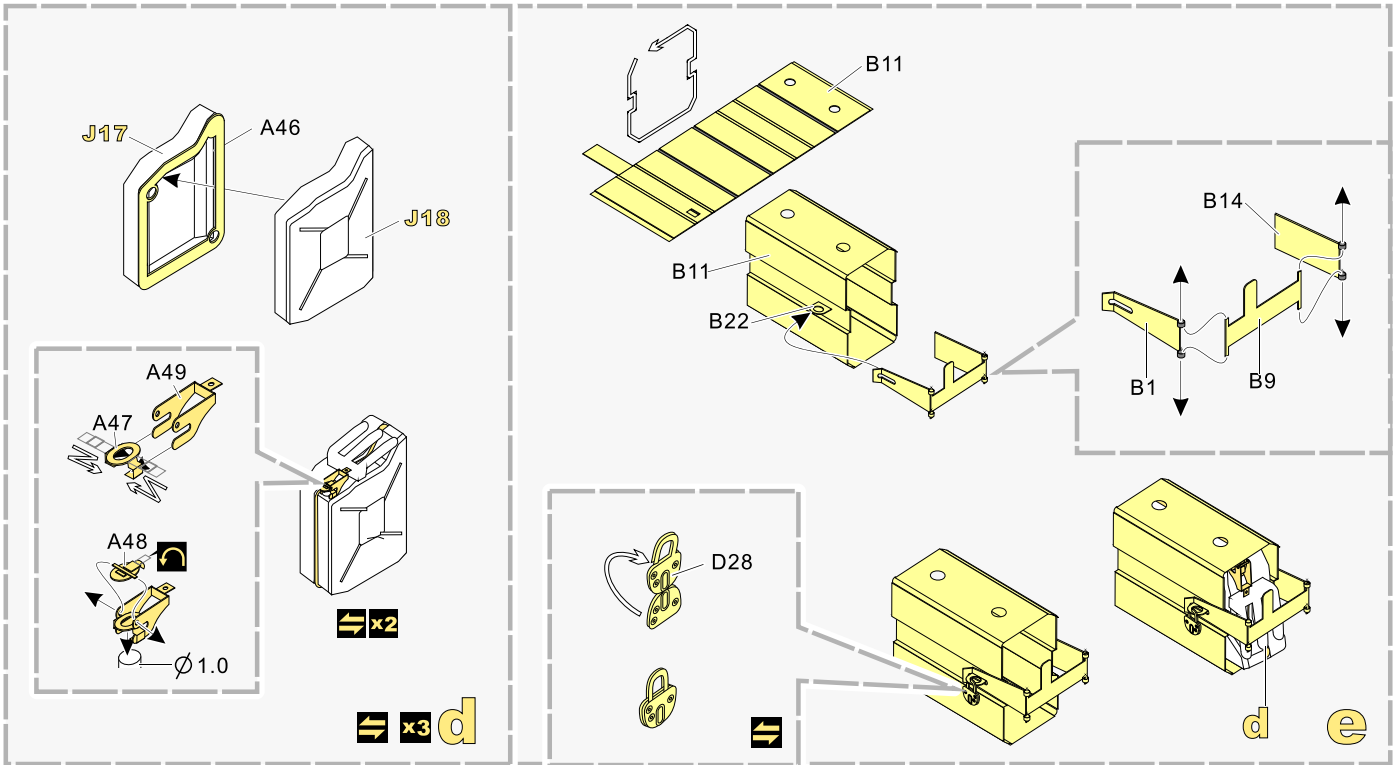
蚀刻片零件内槽面向上
Put the part upside down
用笔尖在凹槽处刺
Use penpoint to press on the dent

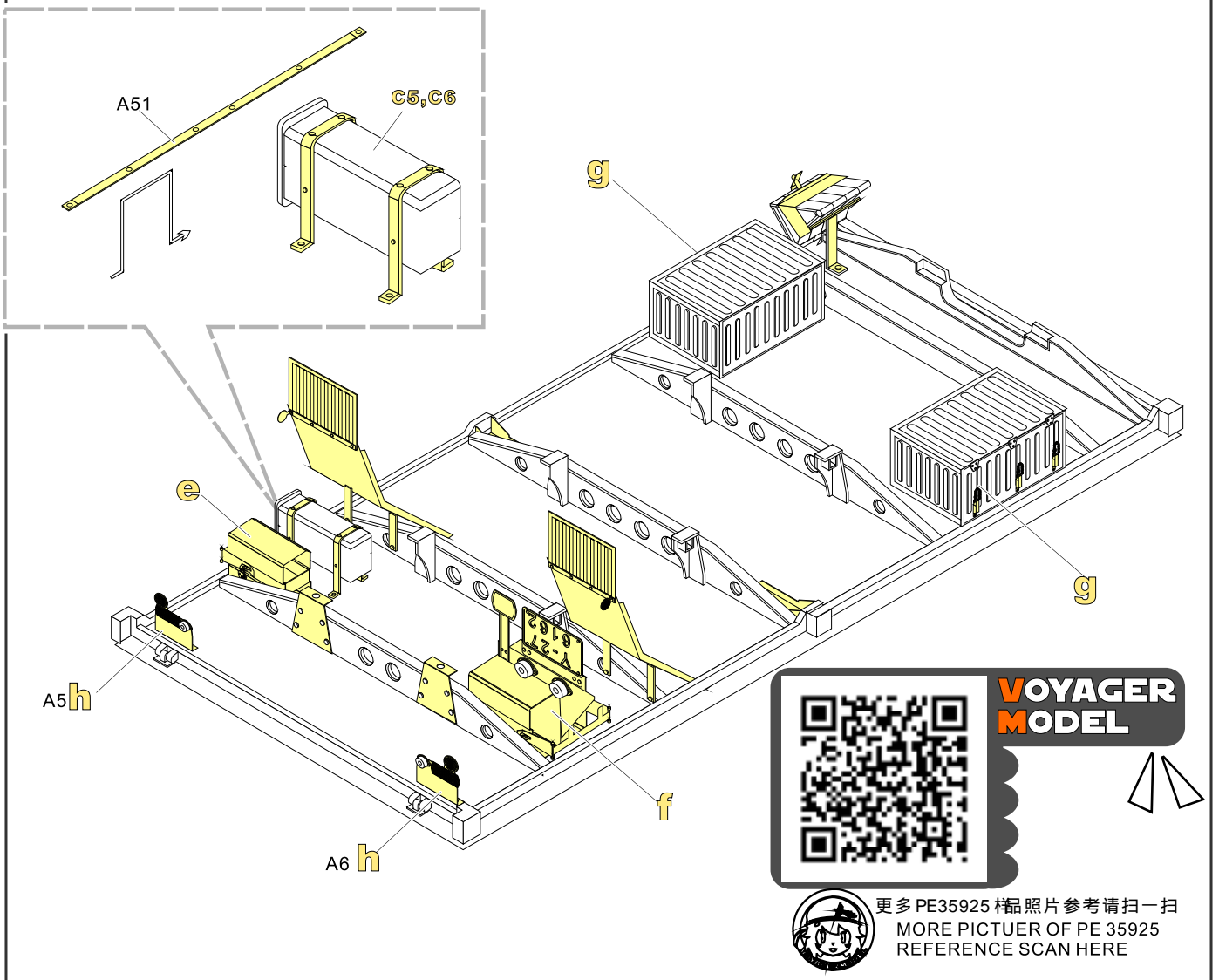
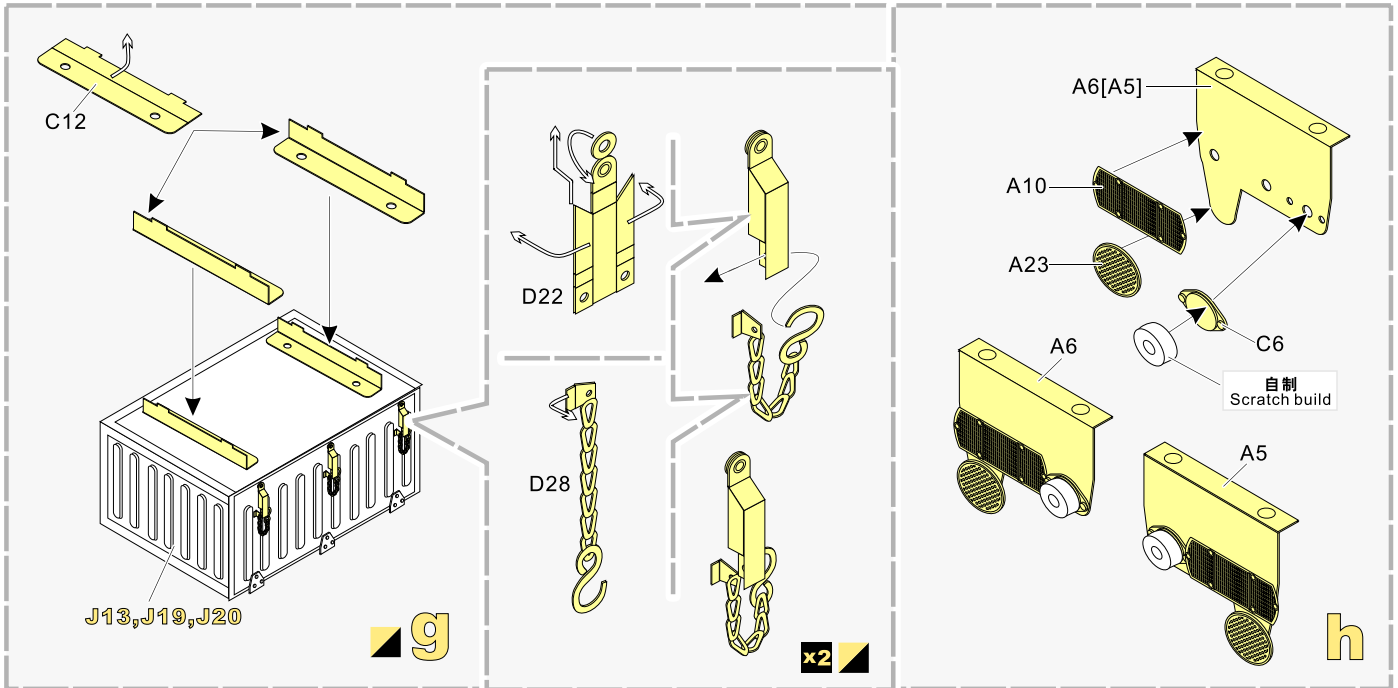
1/35 MILITARY MINIATURE VEHICLE UPGRADE SERIES PE35925



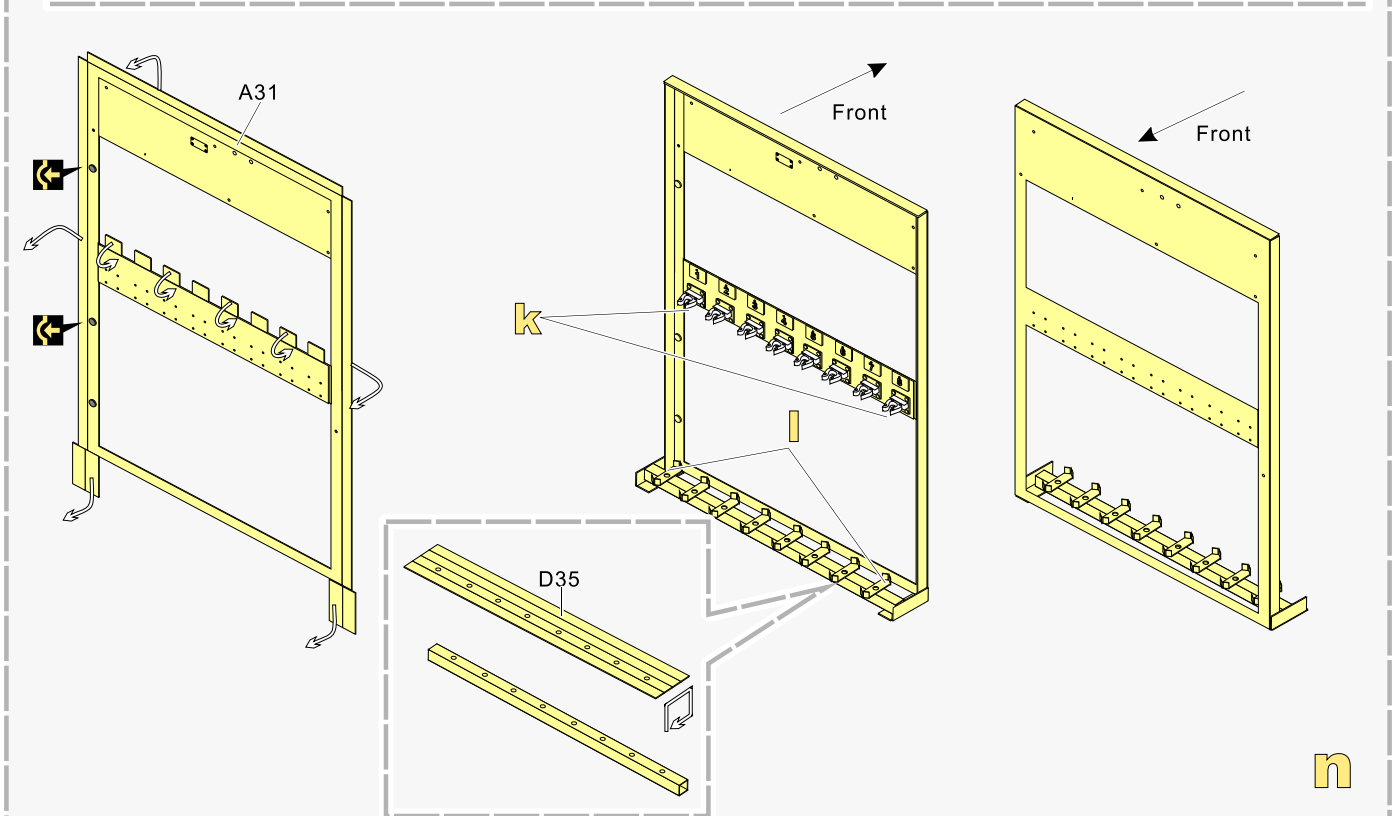
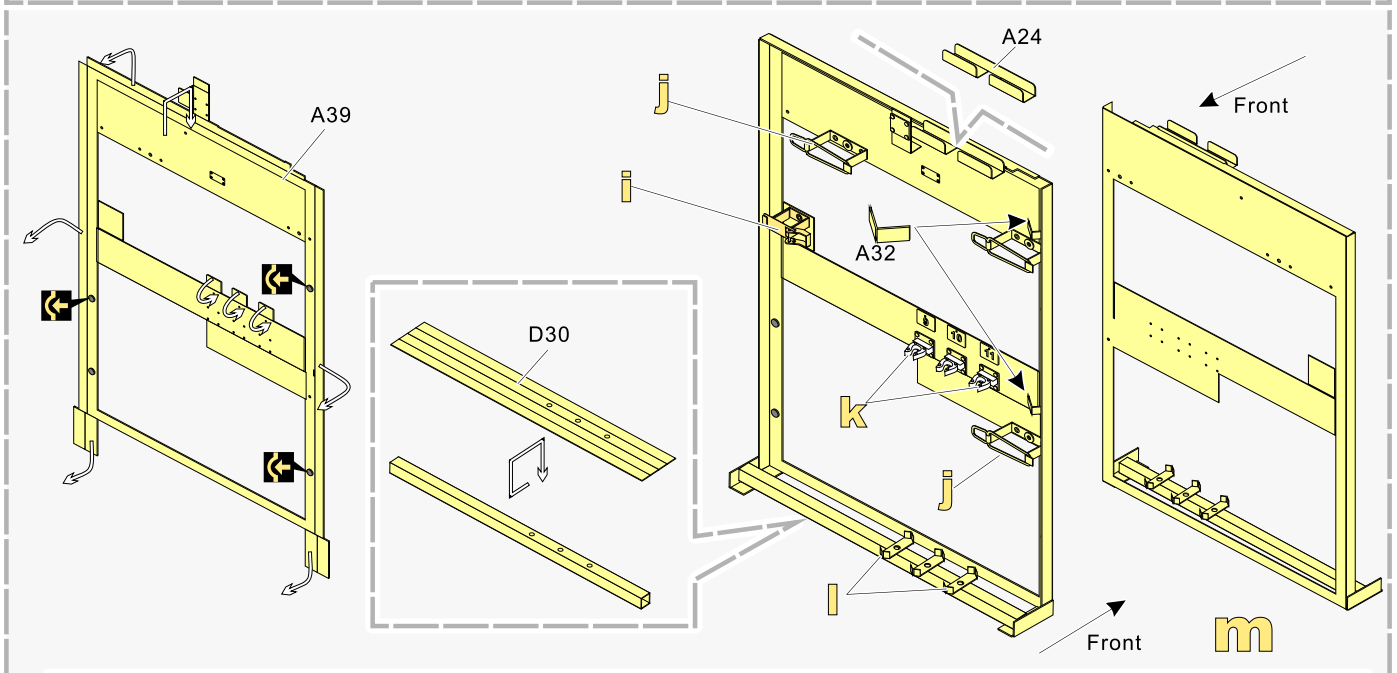
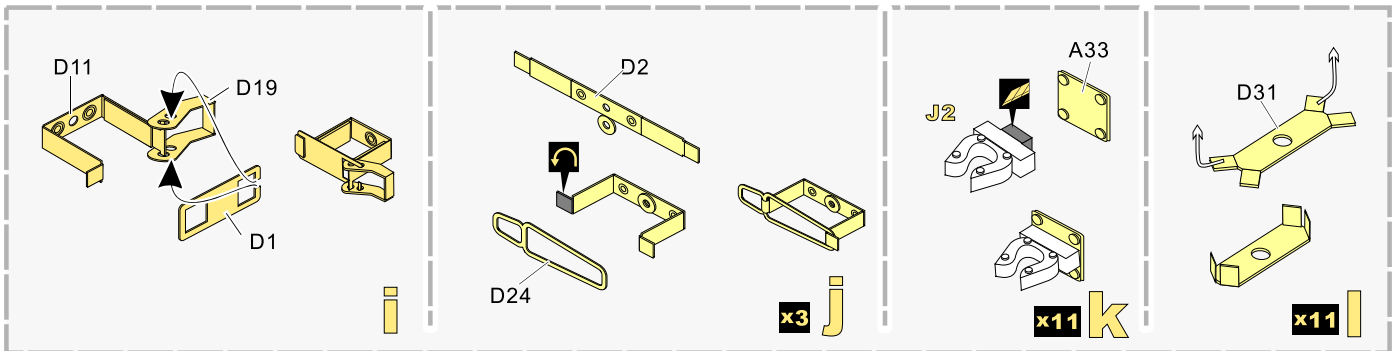
1/35 MILITARY MINIATURE VEHICLE UPGRADE SERIES PE35925



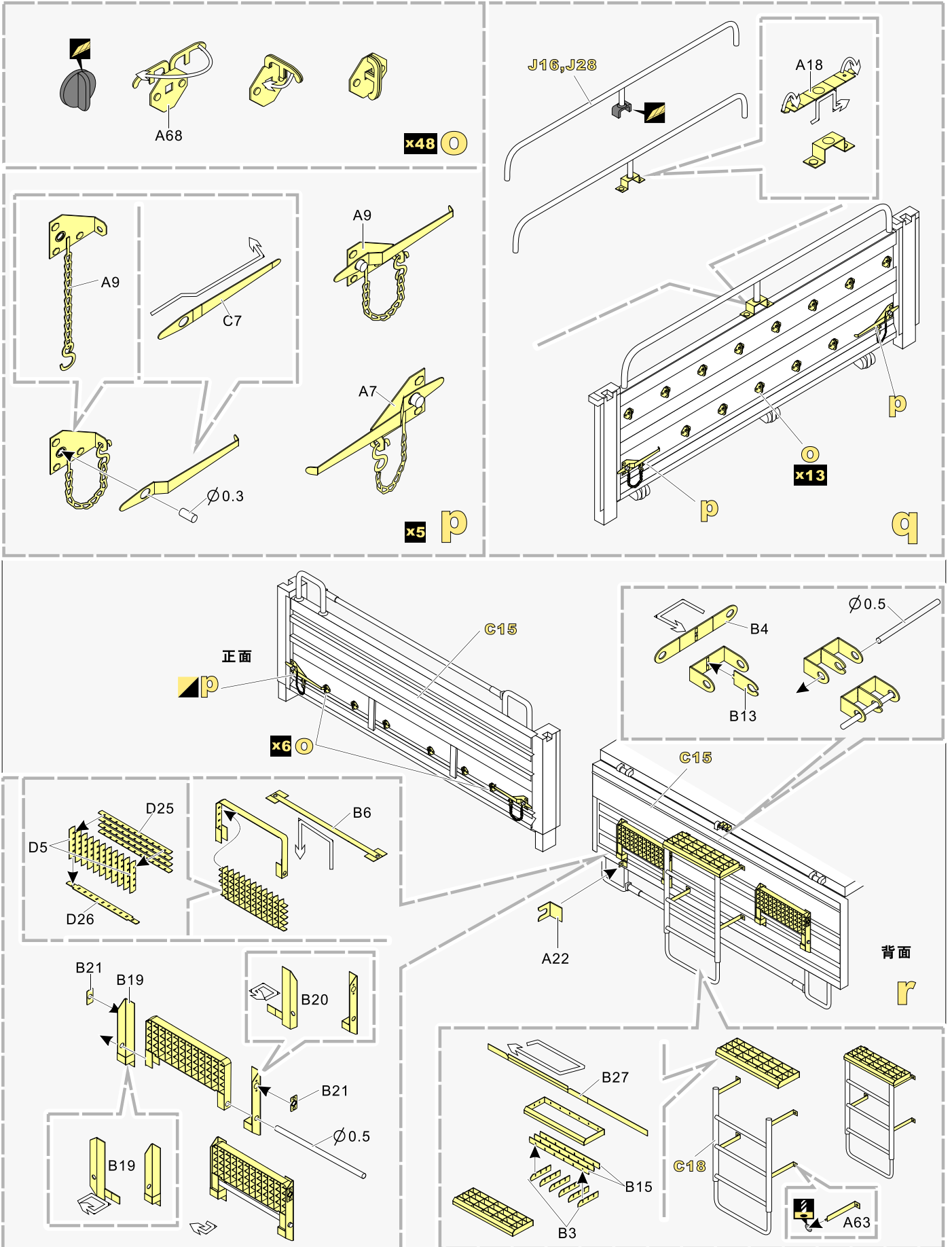
1/35 MILITARY MINIATURE VEHICLE UPGRADE SERIES PE35925



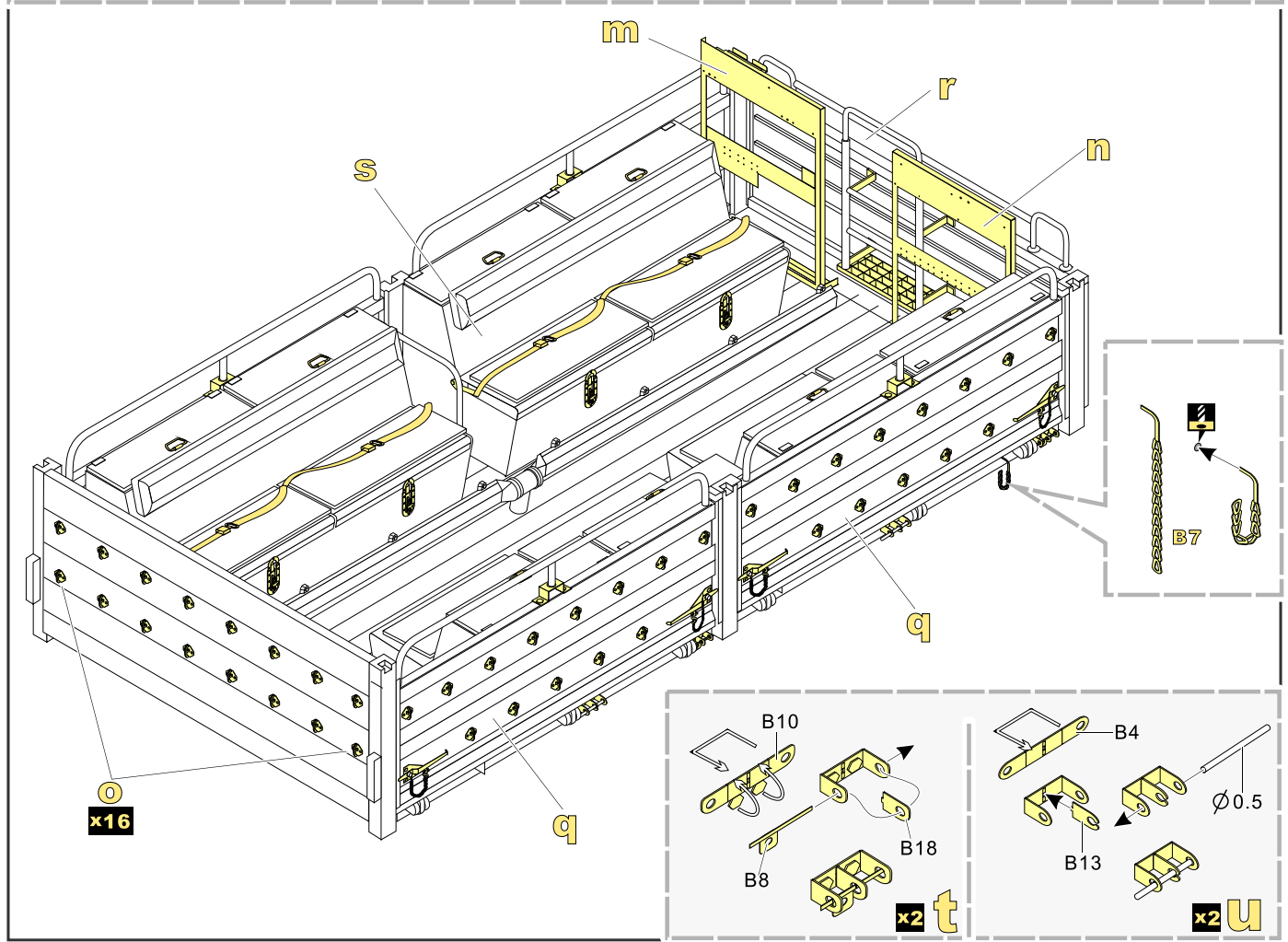
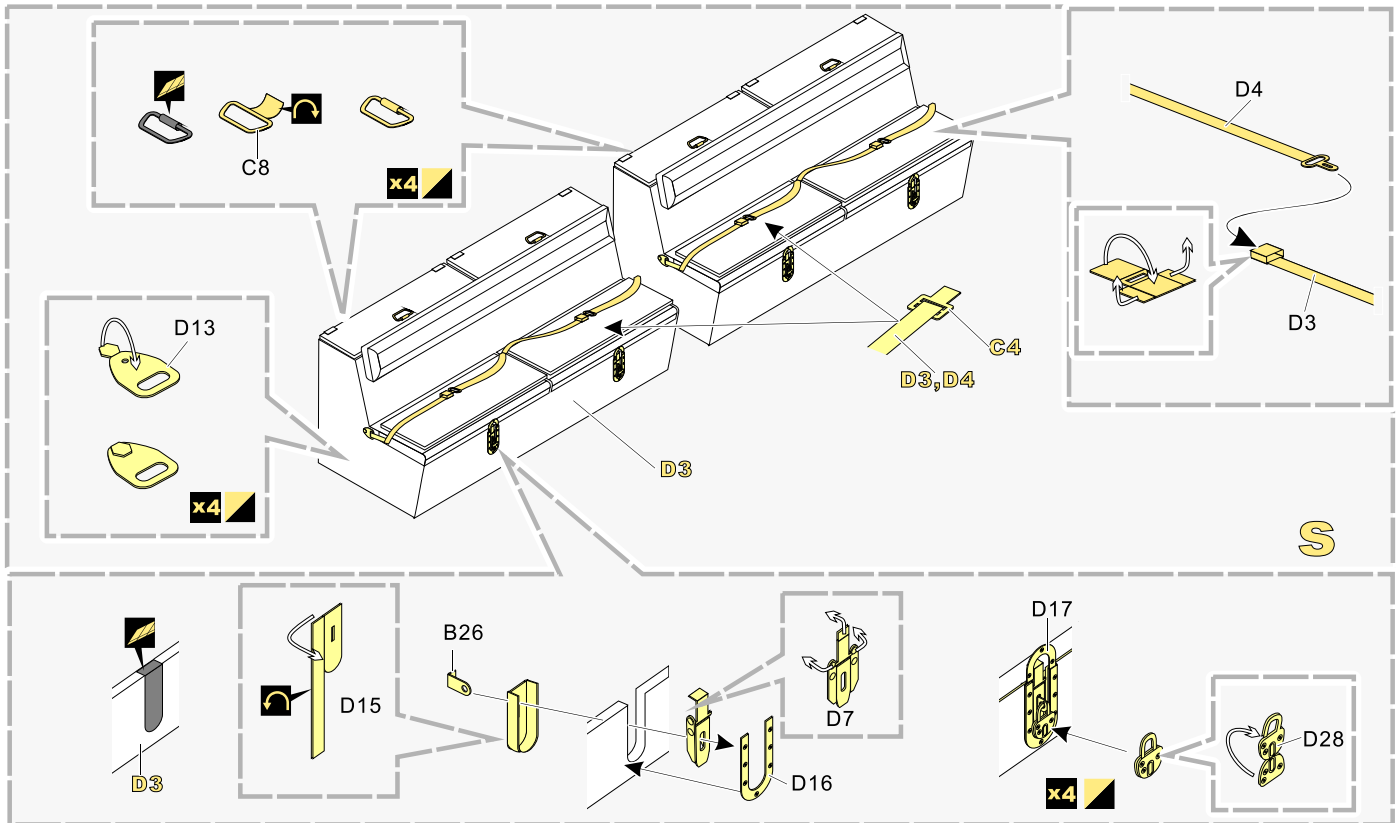
1/35 MILITARY MINIATURE VEHICLE UPGRADE SERIES PE35925



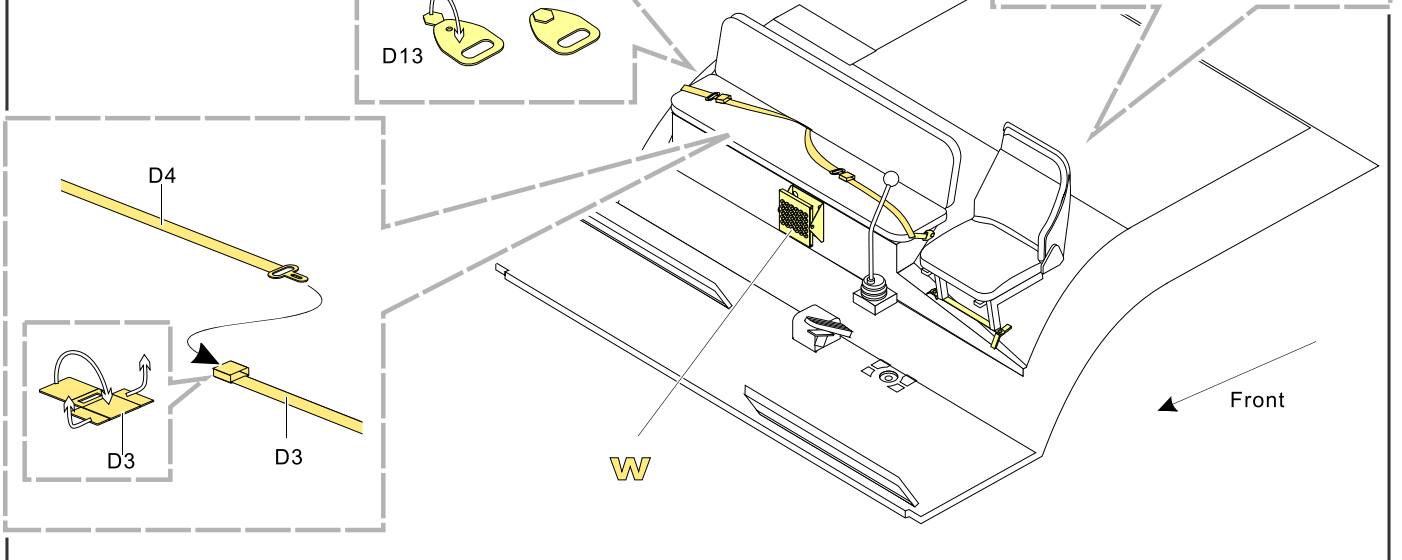
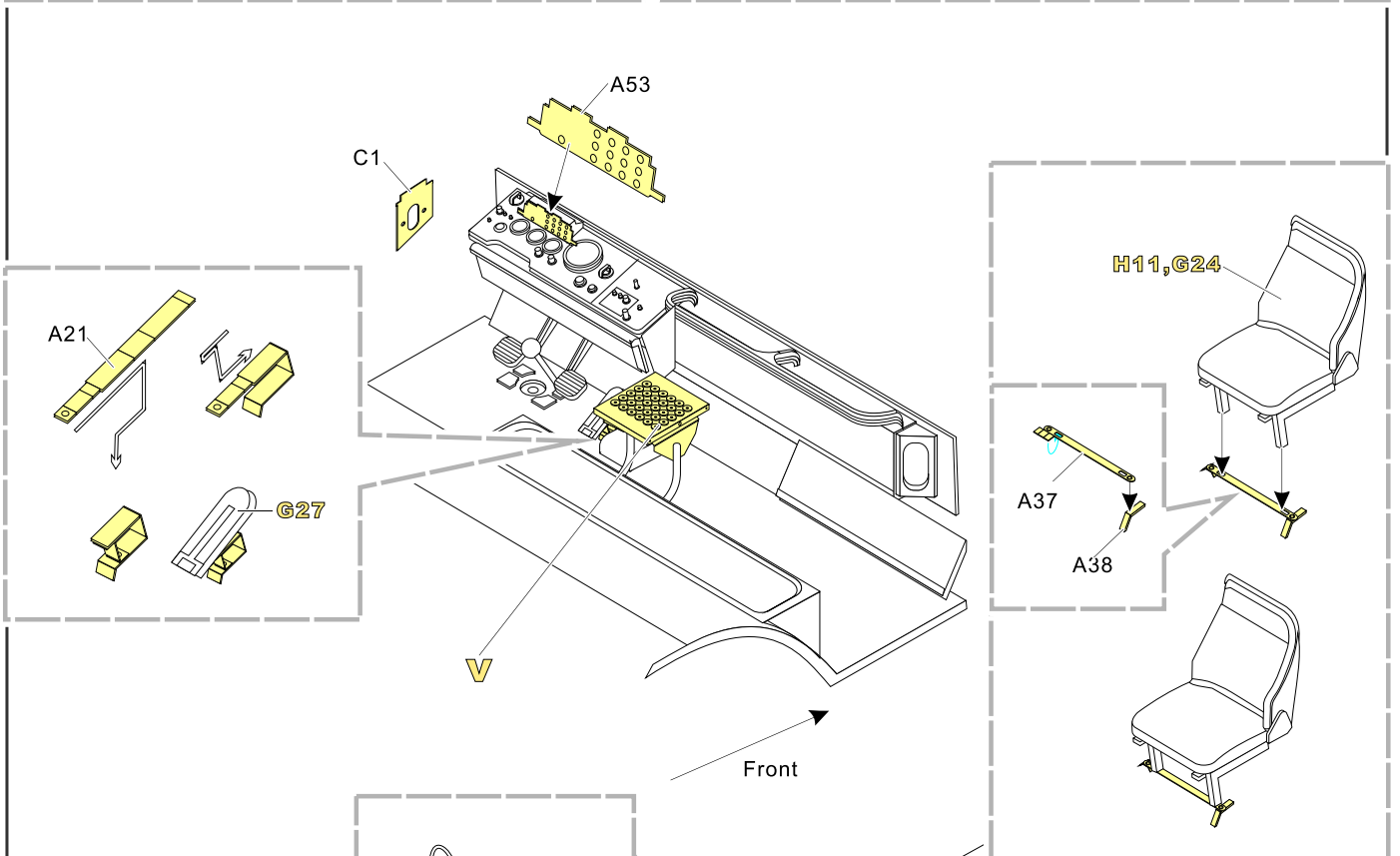
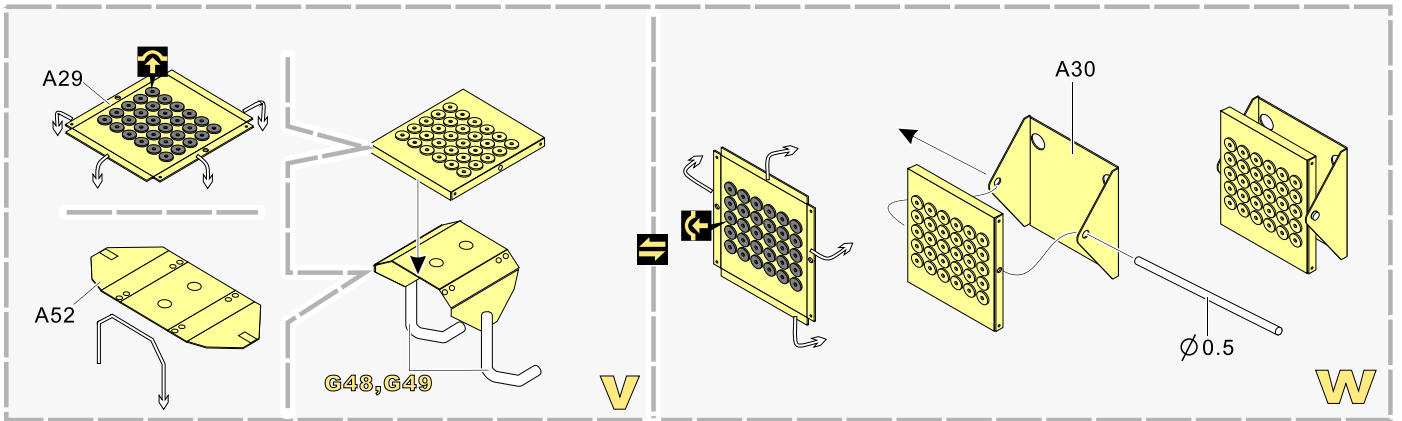
1/35 MILITARY MINIATURE VEHICLE UPGRADE SERIES PE35925



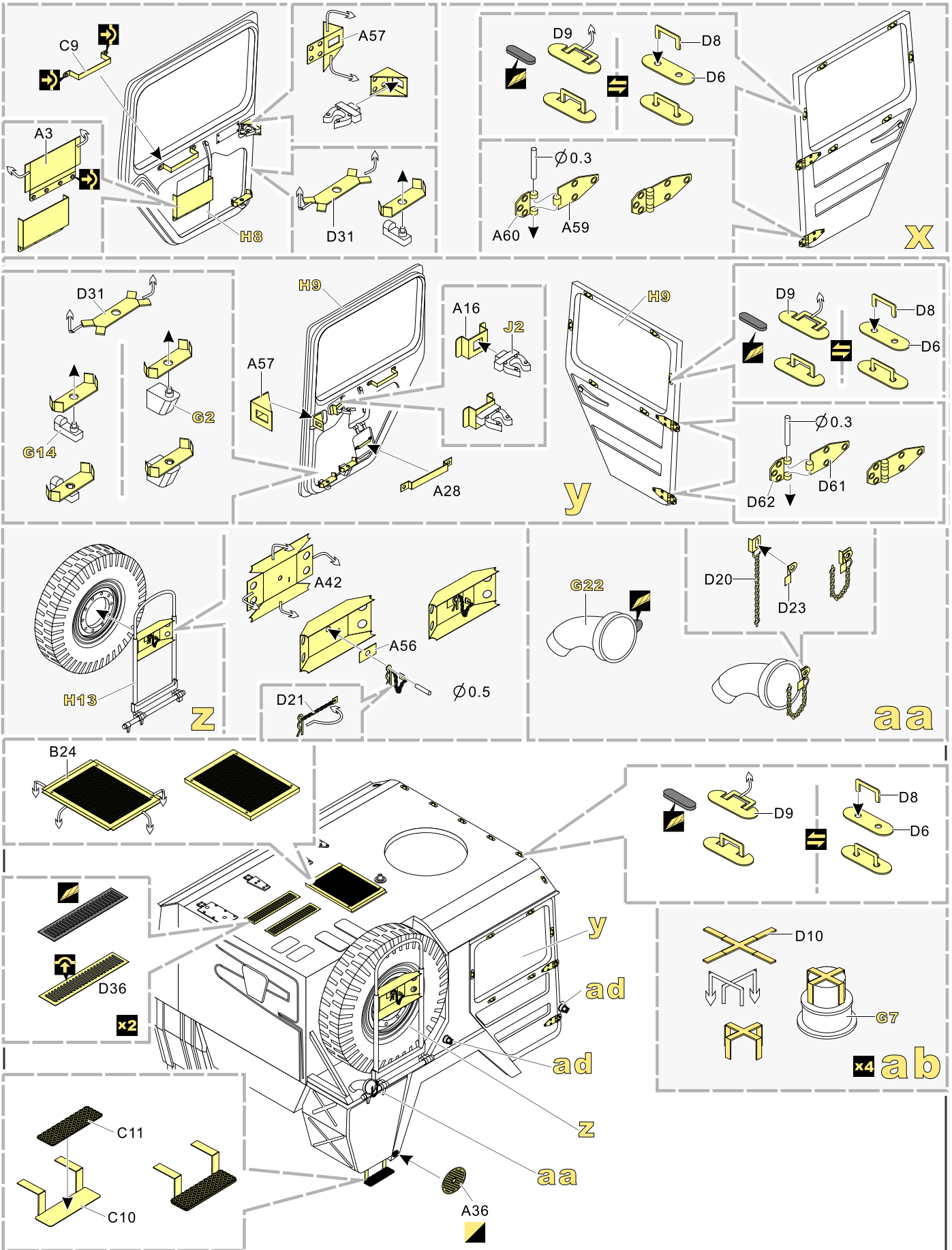
1/35 MILITARY MINIATURE VEHICLE UPGRADE SERIES PE35925



1/35 MILITARY MINIATURE VEHICLE UPGRADE SERIES PE35925



1/35 MILITARY MINIATURE VEHICLE UPGRADE SERIES PE35925



1/35 MILITARY MINIATURE VEHICLE UPGRADE SERIES PE35925

