

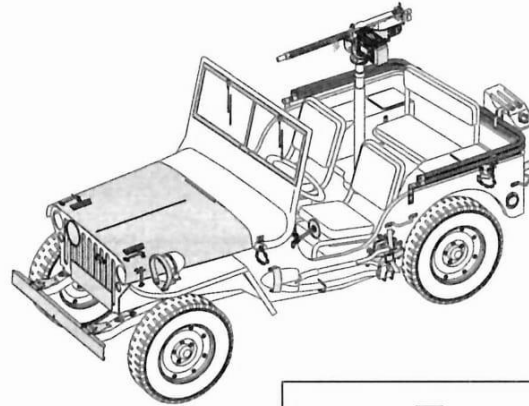
1/35 MILITARY MINIATURE VEHICLE UPGRADE SERIES PE35194














WWII U.S. Willys MB Jeep

二战美军威力MB型吉普车

[For TAMIYA 35219]

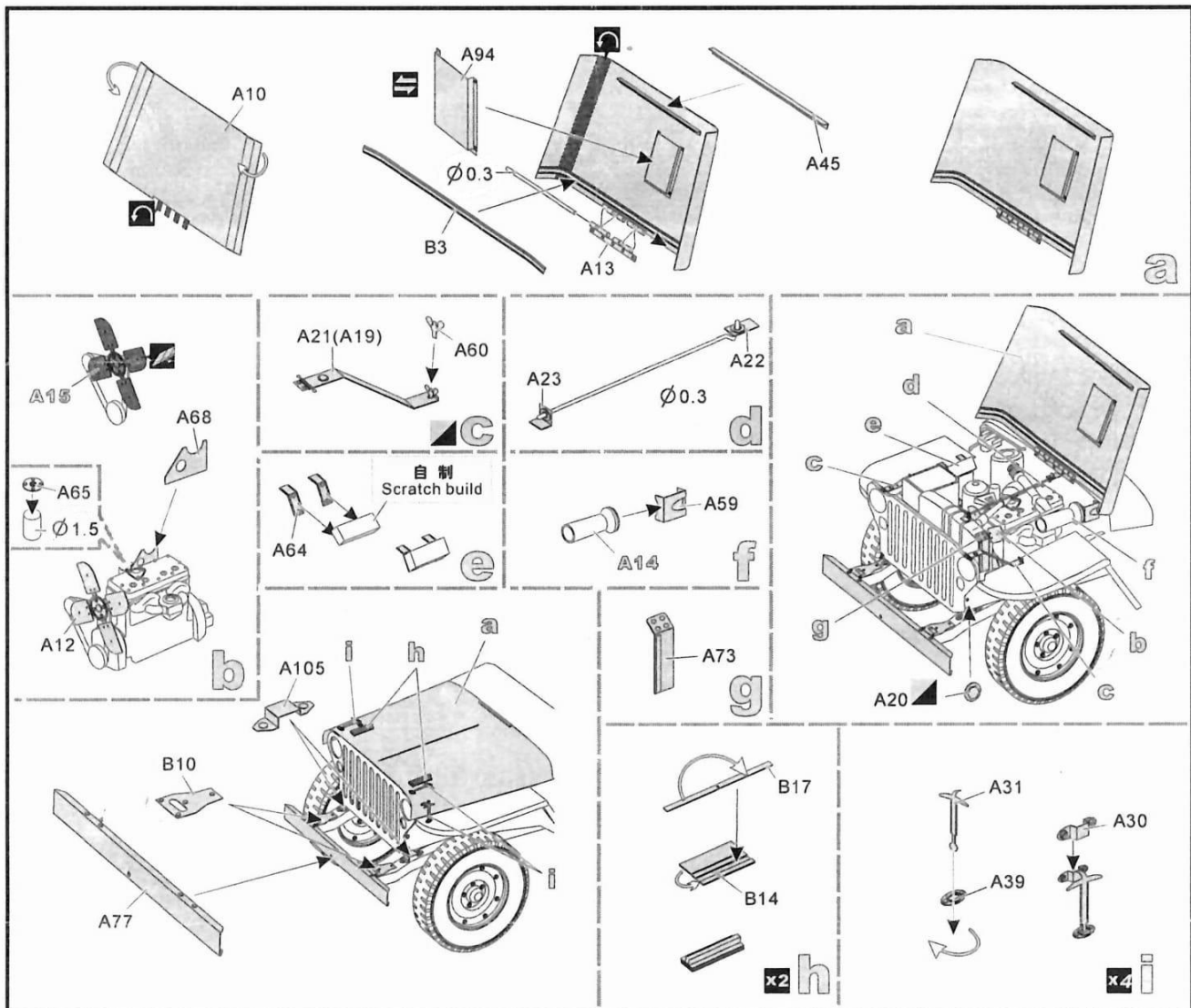
推荐使用工具 RECOMMENDED TOOLS



- 
 安装
install
 - 
 折叠
bend
 - 
 改造件零件编号
PE/resin part number
 - 
 原零件编号
kit part number
 - 
 被替换的原零件编号
replaced kit part number
 - 
 另一侧相同制作
repeat on opposite side
-
- 
 切除
remove
 - 
 打磨
grind off
 - 
 弧度卷曲
radial bending
 - 
 制作若干组
multiple assembly
 - 
 选择安装
alternative
 - 
 用铜管制作
make from brass tube
 - 
 用胶棒制作
make from plastic rod

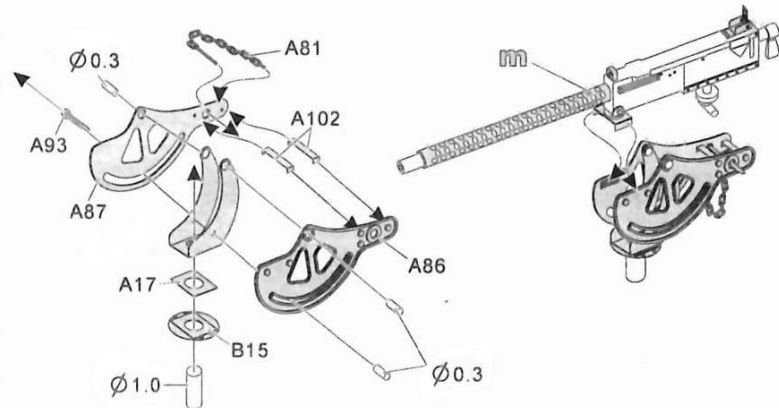
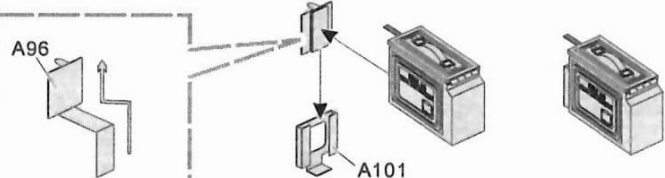
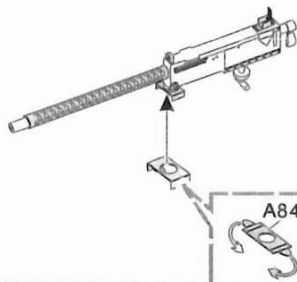
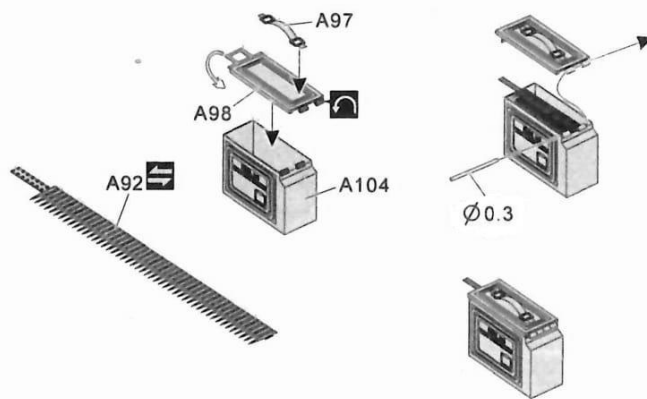
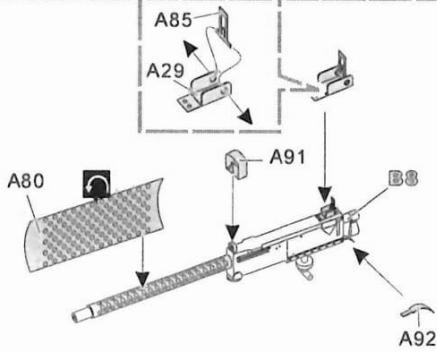
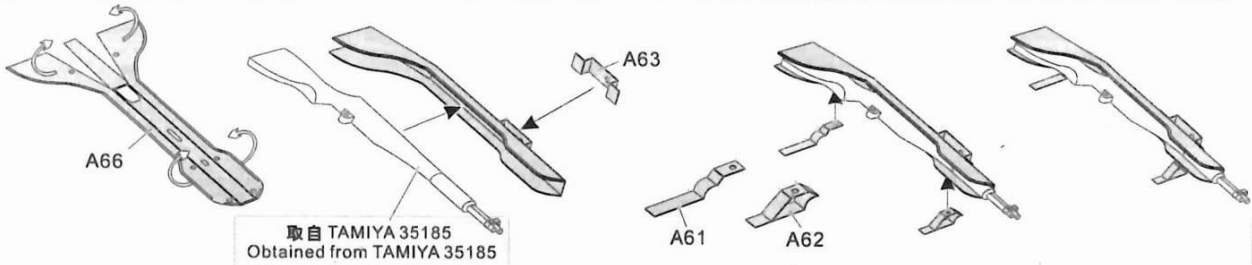
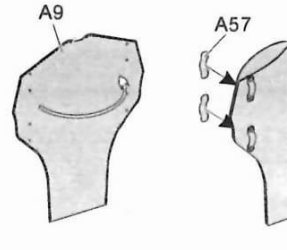
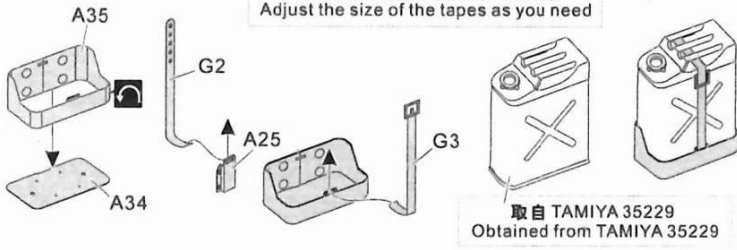

 用尖端在凹槽处冲压
use penpoint to press on the dent

请朝片零件内朝面朝上
Put the part upside down
用笔尖在凹槽处冲压
Use penpoint to press on the dent

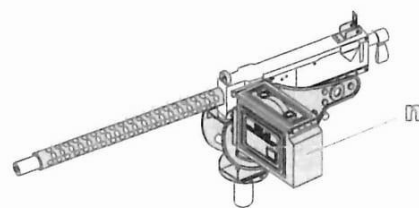



1/35 MILITARY MINIATURE VEHICLE UPGRADE SERIES PE35194

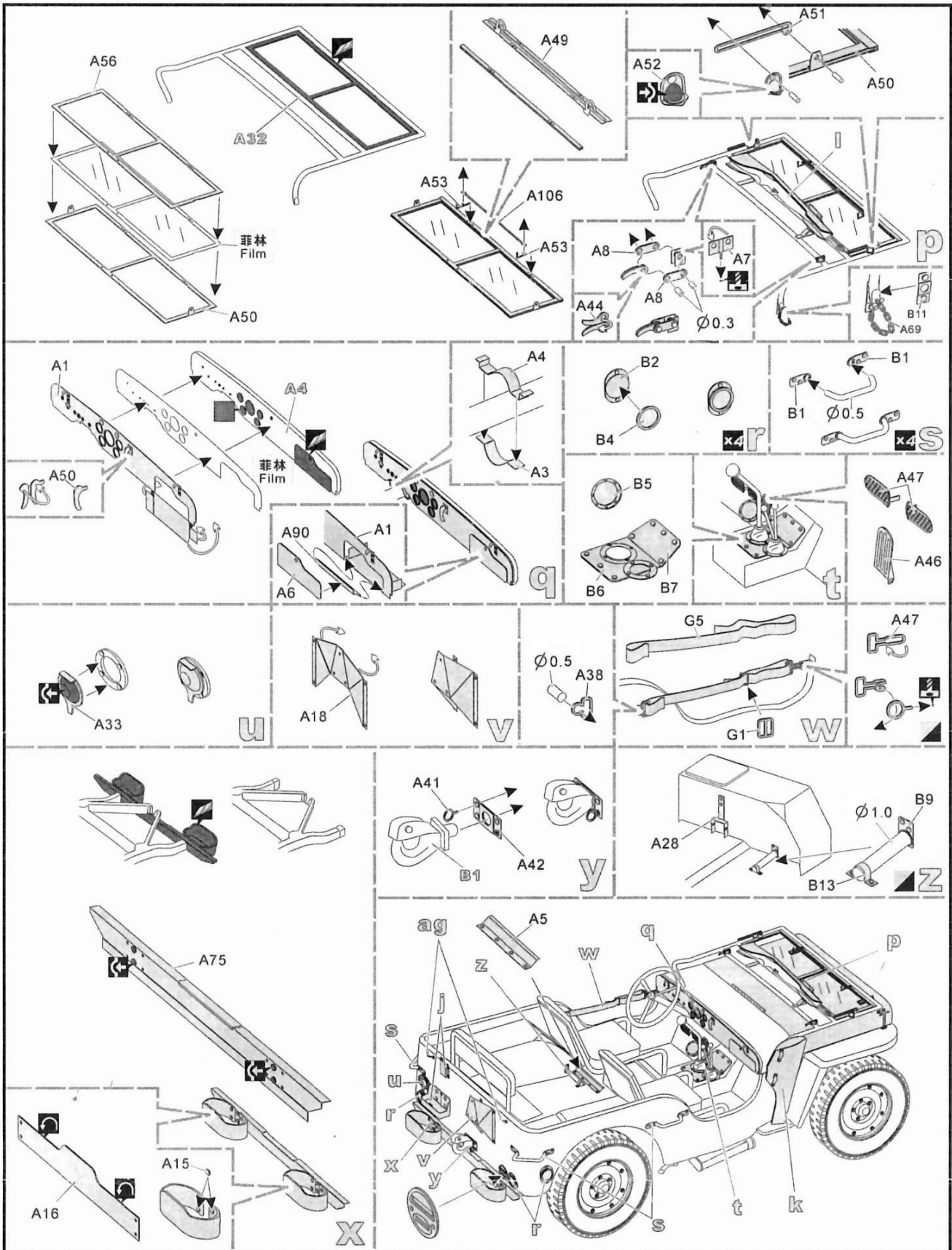
根据需要调整箍带长度以及松紧
Adjust the size of the tapes as you need



VOYAGERMODEL® 先施不置 精益求精	
Recommended item	
PE 35195	WWII U.S. Jeep Willys MB w/Add Amour
PEA081	WWII US M1919 machine Gun
PEA107	WWII US Sherman Series OVM
PEA136	WWII US Army Tank Stenciling Templates type.1
PEA137	WWII US Army Tank Stenciling Templates type.2
VBS0207	WWII US Vehicle Mounted M2 Browning Machine Gun



1/35 MILITARY MINIATURE VEHICLE UPGRADE SERIES PE35194



1/35 MILITARY MINIATURE VEHICLE UPGRADE SERIES PE35194

